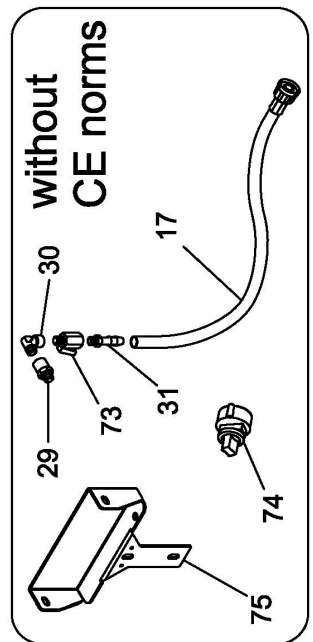
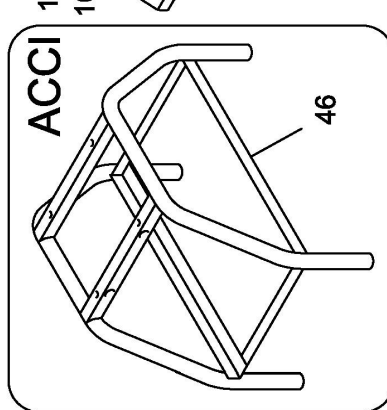
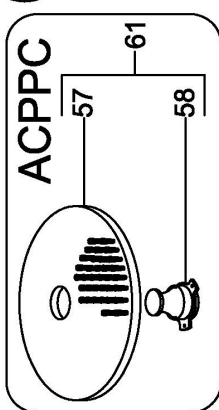
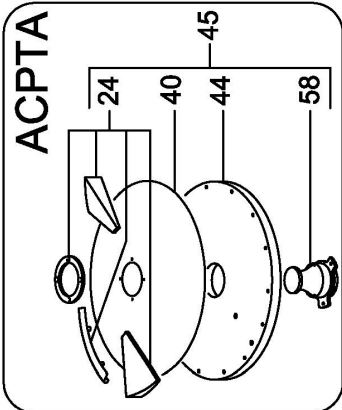
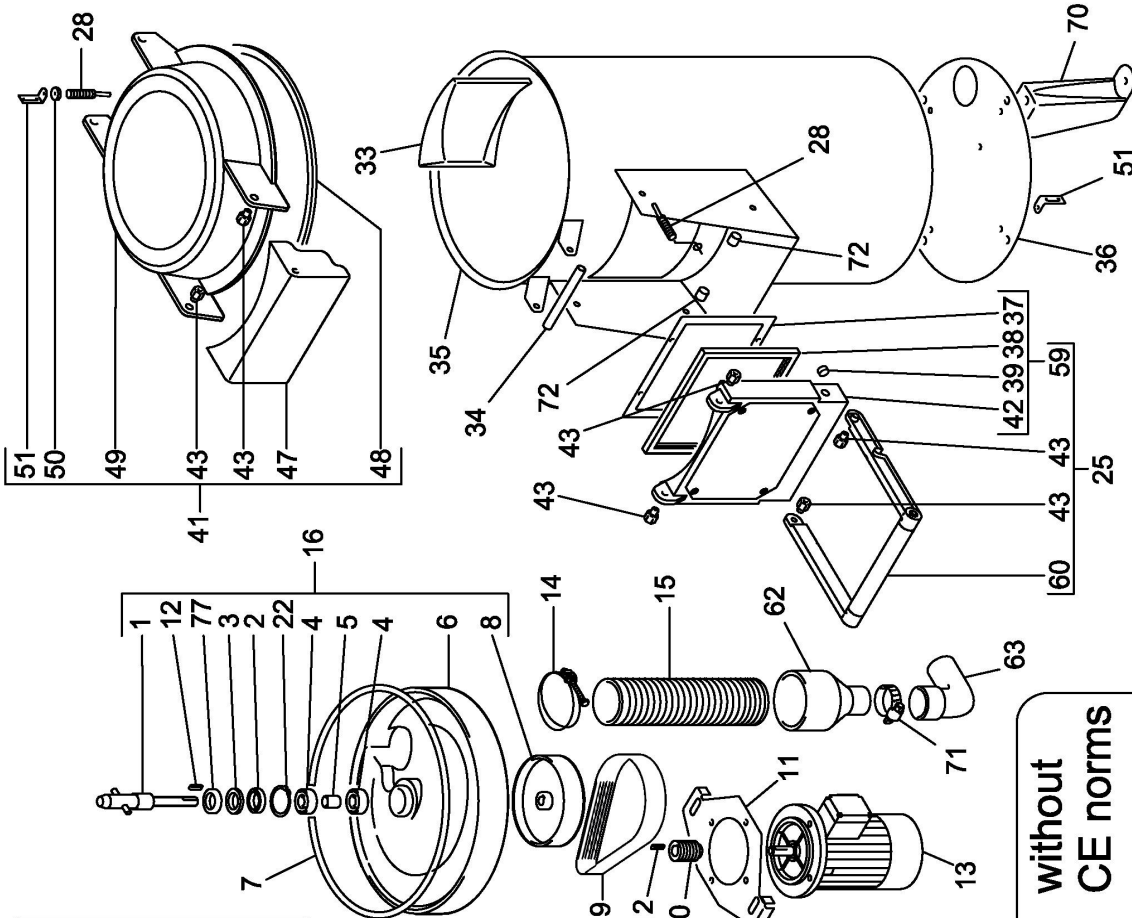
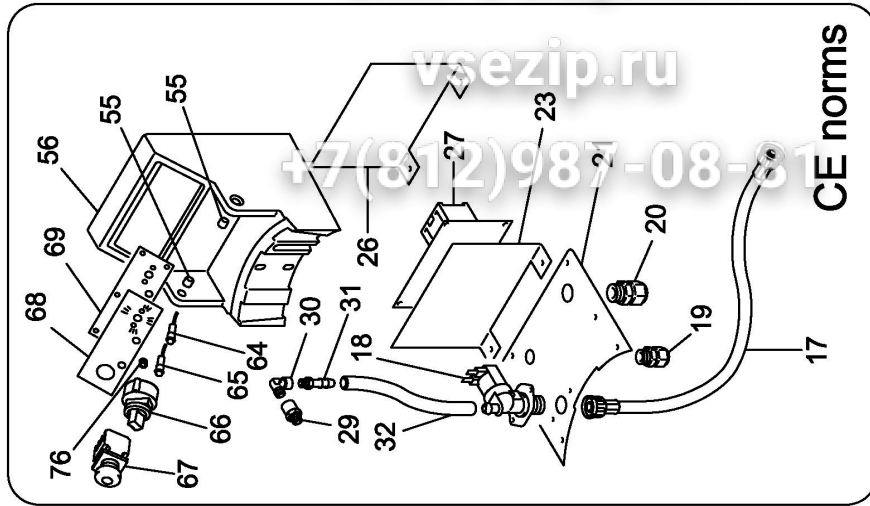
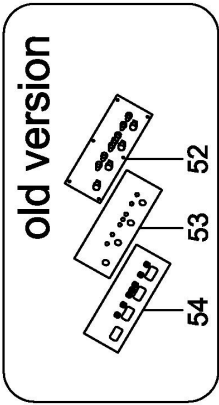


vsezip.ru

+7(812)987-08-81

CE norms



| Pos. Ref. | Codice Code | Caratteristiche Features                             | Descrizione Description |                       |
|-----------|-------------|--|-------------------------|-----------------------|
| 1         | 36G6590     |  | Albero                  | Shaft                 |
| 2         | 3151300     | ø28xø42x7  | Paracchio               | Oil seal              |
| 3         | 3190830     |  | Rosetta                 | Washer                |
| 4         | 36F0090     | 6302 2RS   | Cuscinetto              | Bearing               |
| 5         | 36G5950     |  | Boccola                 | Bush                  |
| 6         | 3600870     |  | Fondo                   | Bottom                |
| 7         | 3151750     |  | Guarnizione             | Gasket                |
| 8         | 36G6600     |  | Puleggia                | Pulley                |
| 9         | 36G6610     | ● Poly V-559 j12                                     | Cinghia                 | Belt                  |
| 10        | 36G6620     | (PPN-PPF10-18)                                       | Puleggia                | Pulley                |
| 10        | 36G0030     | (LCN-LCF10-18)                                       | Puleggia                | Pulley                |
| 11        | 35V1230     |  | Staffa                  | Bracket               |
| 12        | SL0010      | 5x5x20   | Linguetta               | Key                   |
| 13        | SL0040      | 400V/3Ph/50Hz (PPN-PPF10)                            | Motore                  | Motor                 |
| 13        | SL0041      | 230V/1Ph/50Hz (PPN-PPF10)                            | Motore                  | Motor                 |
| 13        | SL1041      | 400V/3Ph/50Hz (PPN-PPF18)                            | Motore                  | Motor                 |
| 13        | SL1042      | 230V/1Ph/50Hz (PPN-PPF18)                            | Motore                  | Motor                 |
| 13        | SL1521      | 400V/3Ph/50Hz (LCN-LCF10)                            | Motore                  | Motor                 |
| 13        | SL1523      | 230V/1Ph/50Hz (LCN-LCF10)                            | Motore                  | Motor                 |
| 13        | SL1522      | 400V/3Ph/50Hz (LCN-LCF18)                            | Motore                  | Motor                 |
| 13        | SL1524      | 230V/1Ph/50Hz (LCN-LCF18)                            | Motore                  | Motor                 |
| 13        | 32M4080     | 400V/3Ph/50Hz (2 speed - PPN-PPF10) 01/01/05 f.p.(*) | Motore                  | Motor                 |
| 13        | 32M4050     | 400V/3Ph/50Hz (2 speed - PPN-PPF18) 01/01/05 f.p.(*) | Motore                  | Motor                 |
| 14        | 3140460     | ø88÷ø96  | Fascetta                | Clip                  |
| 15        | SL2721      | ø90 (PPN-LCN)  | Tubo                    | Tube                  |
| 15        | 35X1150     | ø90 (PPF-LCF)  | Tubo                    | Tube                  |
| 16        | SA1064      | Assembly   | Fondo                   | Bottom                |
| 17        | 33M0010     | 3/4" F-F   | Tubo                    | Tube                  |
| 18        | 33D1371     | 230V/50-60Hz 3/4" M                                  | Elettrovalvola          | Electro-valve         |
| 19        | SL0893      | PG13,5   | Pressacavo              | Cable clamp           |
| 19        | 32D0360     | 01/01/04 f.p.(*)                                     | Pressacavo              | Cable clamp           |
| 20        | 32D1090     | PG21   | Pressaguaina            | Sheathing clamp       |
| 21        | SL2939      |  | Piastra                 | Plate                 |
| 21        | 35Q8620     | 01/01/04 f.p.(*)                                     | Piastra                 | Plate                 |
| 22        | SL2056      | ø42  | Seeger                  | Seeger                |
| 23        | SL2785      |  | Piastra                 | Plate                 |
| 23        | 35V8601     | 01/01/04 f.p.(*)                                     | Divisorio               | Dividing head         |
| 24        | SA3460      | plastic (PTA)  | Kit disco               | Disk set              |
| 24        | SA3450      | 28/01/08 f.p.(*)                                     | Kit disco               | Disk set              |
| 25        | SA1072      | Assembly   | Sportello               | Door                  |
| 26        | 35M8840     |  | Copertura               | Covering              |
| 27        | SL2921      | ●  | Scheda elettronica      | Electronic card       |
| 27        | 32Z4840     | 01/01/04 f.p.(*)                                     | Teleruttore             | Remote control switch |
| 28        | 32W3240     | ● CE norms   | Microinterruttore       | Microswitch           |
| 29        | 33Q6210     | 1/4" M-F   | Raccordo                | Nipple                |
| 30        | 33Q6040     | L 90° 1/4" M-F                                       | Raccordo                | Nipple                |
| 31        | 33Q5180     | 1/4" M ø12   | Portagomma              | Cluch                 |
| 32        | 33M0960     | ø12  | Tubo                    | Tube                  |
| 33        | 36D9660     |  | Saltarello              | Leaper                |
| 34        | 36G2040     |  | Perno                   | Pivot                 |
| 35        | 30W2930     | (PPN-PPF-LCN-LCF10)                                  | Carcassa                | Housing               |
| 35        | SL2694      | (PPN-PPF-LCN-LCF18)                                  | Carcassa                | Housing               |
| 36        | SL3369      | (PPN-LCN10-18)                                       | Fondo                   | Bottom                |
| 36        | 35D7790     | (PPF-LCF10-18)                                       | Fondo                   | Bottom                |
| 37        | 36C0011     |  | Telaio                  | Frame                 |
| 38        | 37Q7860     |  | Guarnizione             | Gasket                |
| 39        | 3600160     | ● CE norms   | Magnete                 | Magnet                |
| 40        | SL3542      |  | Tela abrasiva           | Emery cloth           |
| 40        | SL2494      | ● 28/01/08 f.p.(*)                                   | Tela abrasiva           | Emery cloth           |
| 41        | 6005380     | Assembly   | Coperchio               | Cover                 |
| 42        | SA3400      | Assembly   | Sportello               | Door                  |
| 43        | 36D9550     |  | Boccola                 | Bush                  |
| 44        | SL3543      |  | Disco                   | Disk                  |
| 44        | SL2135      | 28/01/08 f.p.(*)                                     | Disco                   | Disk                  |
| 45        | ACPTA       | Assembly (PPN-PPF10-18)                              | Disco patate            | Potato disk           |
| 46        | ACCI        | Assembly (PPF-LCF10-18)                              | Telaio                  | Frame                 |
| 47        | 36M5090     |  | Maniglia                | Handle                |
| 48        | SL2871      | ●  | Guarnizione             | Gasket                |
| 49        | 36Z6501     |  | Coperchio               | Cover                 |
| 50        | 3600310     | ● CE norms   | Magnete                 | Magnet                |
| 51        | 35V6381     |  | Staffa                  | Bracket               |

(\*) : fuori produzione / out of production

● : ricambio consigliato / spare part suggested

| Pos. Ref. | Codice Code | Caratteristiche Features                          | Descrizione Description |                 |
|-----------|-------------|---|-------------------------|-----------------|
| 52        | 32Z3030     | 01/01/04 f.p.(*)                                  | Scheda elettronica      | Electronic card |
| 53        | 30A3560     | 01/01/04 f.p.(*)                                  | Pannello                | Panel           |
| 54        | SL1504      | 01/01/04 f.p.(*) (PPN-PPF-LCN-LCF10-18)           | Etichetta               | Label           |
| 54        | SL1505      | 01/01/04 f.p.(*) (2 speed - PPN-PPF-LCN-LCF10-18) | Etichetta               | Label           |
| 55        | 36D7310     |   | Boccola                 | Pin             |
| 56        | 36Z0690     |   | Scatola                 | Box             |
| 57        | 36G6880     |   | Disco cozze             | Mussel disk     |
| 58        | SL3267      |   | Pomello                 | Knob            |
| 59        | 6000930     | Assembly  | Sportello               | Door            |
| 60        | SA1093      | Assembly  | Maniglia                | Handle          |
| 61        | ACPPC       | Assembly (LCN-LCF10-18)                           | Disco cozze             | Mussel disk     |
| 62        | SL2720      | ø100-ø50 (PPN-LCN10-18)                           | Riduzione               | Reduction       |
| 63        | SL2719      | ø50 (PPN-LCN10-18)                                | Gomito                  | Bend            |
| 64        | 32W2970     | ● 230V 2W green                                   | Lampada                 | Lamp            |
| 65        | 32W3280     | ● 230V 2W white                                   | Lampada                 | Lamp            |
| 66        | SA1087      | ●   | Timer                   | Timer           |
| 67        | SA1088      | ● Unstable  | Pulsante                | Push button     |
| 68        | SL3705      |   | Etichetta               | Label           |
| 68        | SL3530      | 01/12/08 f.p.(*)                                  | Etichetta               | Label           |
| 69        | SL3693      |   | Pannello                | Panel           |
| 69        | 30A3620     | 01/12/08 f.p.(*)                                  | Pannello                | Panel           |
| 70        | SL3223      | ● (PPN-LCN10-18)                                  | Piedino                 | Foot            |
| 71        | SL2745      | ø50÷ø70 (PPN-LCN10-18)                            | Fascetta                | Clip            |
| 72        | SL2349      |   | Perno                   | Pivot           |
| 73        | SL1622      | 1/4" M-F  | Rubinetto               | Cock            |
| 74        | SA1092      | Assembly  | Timer                   | Timer           |
| 75        | SL2904      |   | Staffa                  | Bracket         |
| 76        | SL0772      | V-8-S   | V-ring                  | V-ring          |
| 77        | SL3943      | ø28xø42x7   | Paraolio                | Oil seal        |

(\*) : fuori produzione / out of production

● : ricambio consigliato / spare part suggested