

Зип Общепит

vsezip.ru

+7(812)987-08-81



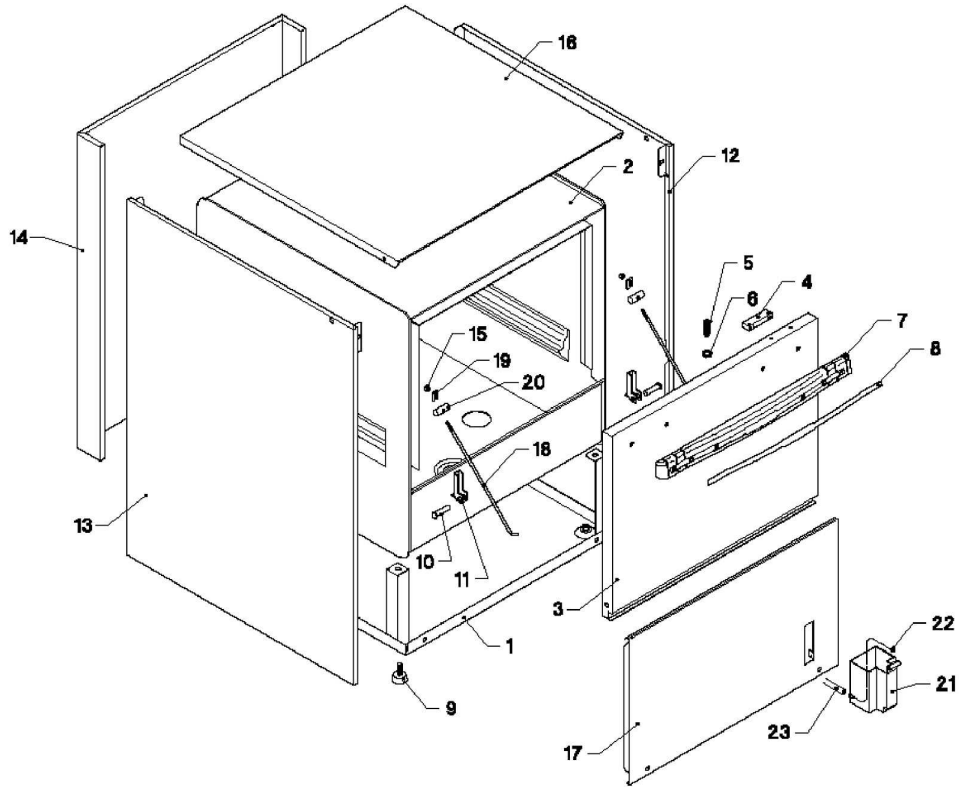
LF50E

Edition 20051201-20061231

Зип Общепит

vsezip.ru

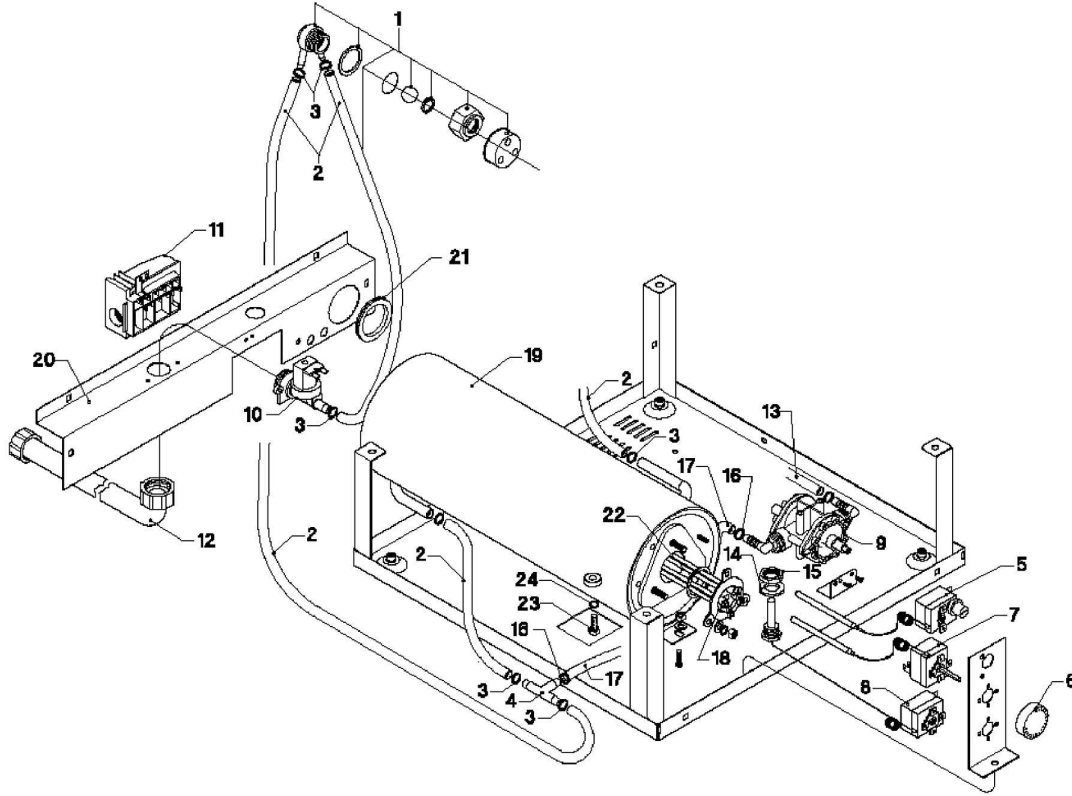
+7(812)987-08-81



Зип Общепит

vsezip.ru

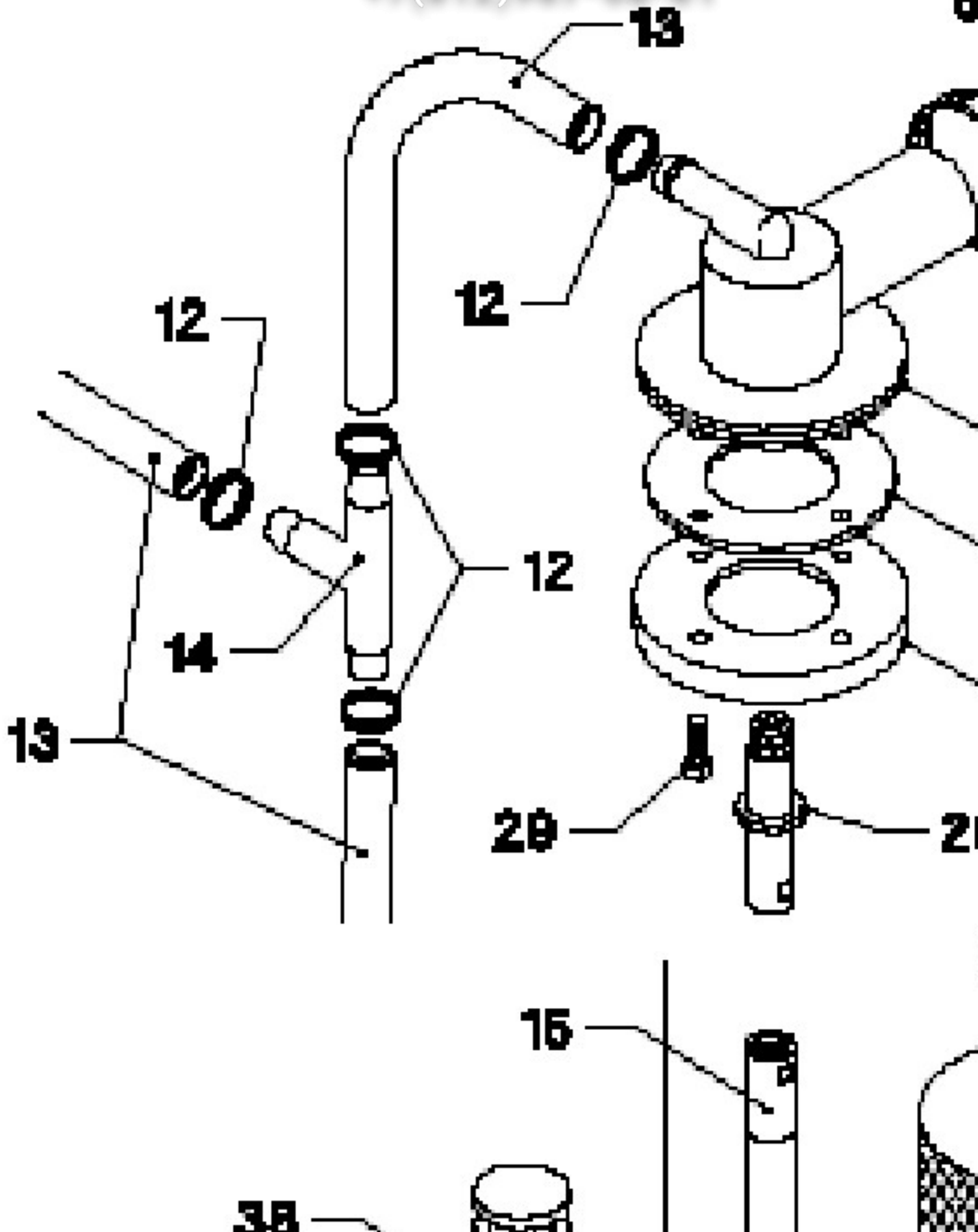
+7(812)987-08-81



Зип Общепит

vsezip.ru

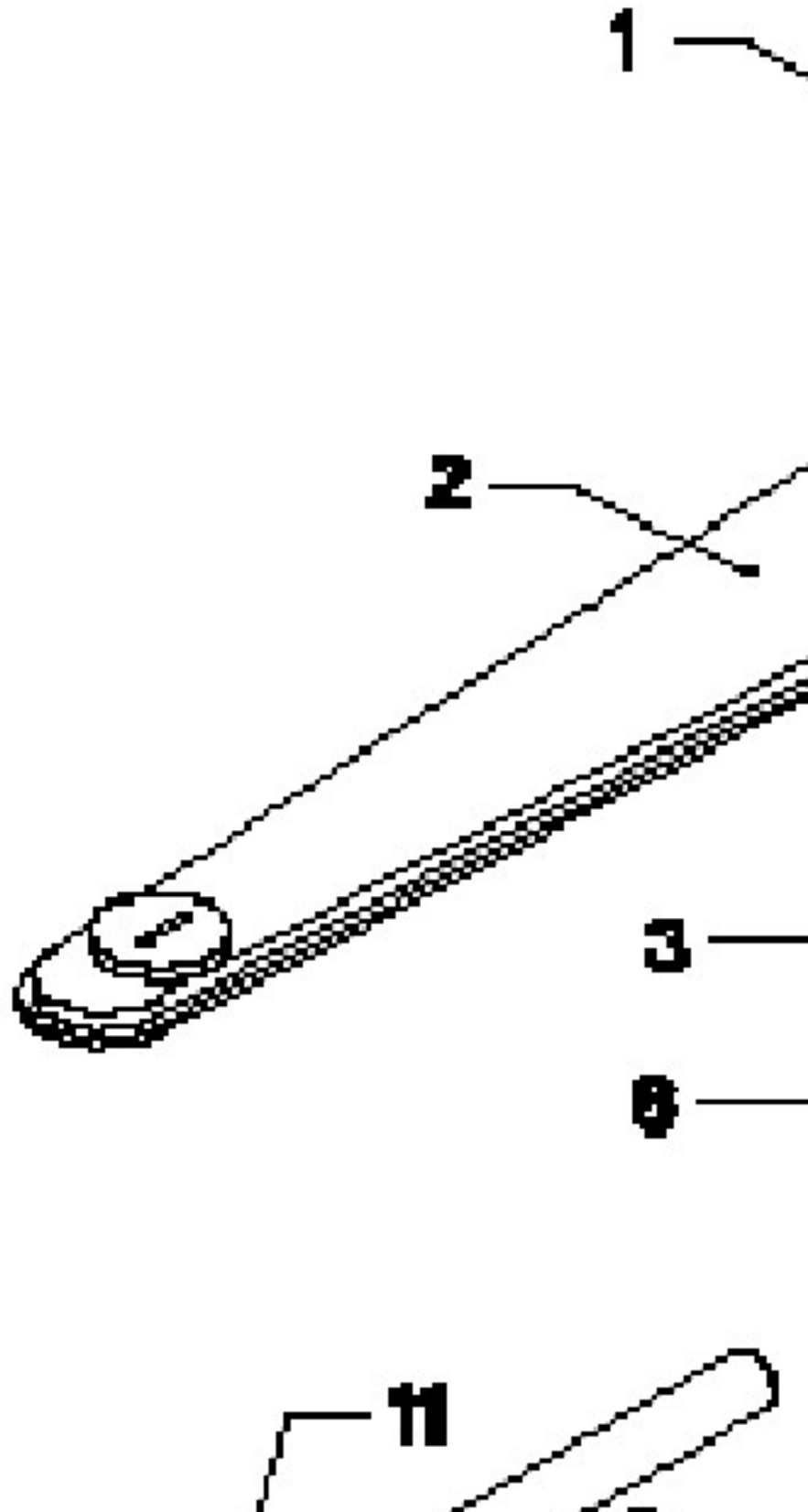
+7(812)987-08-81



Зип Общепит

vsezip.ru

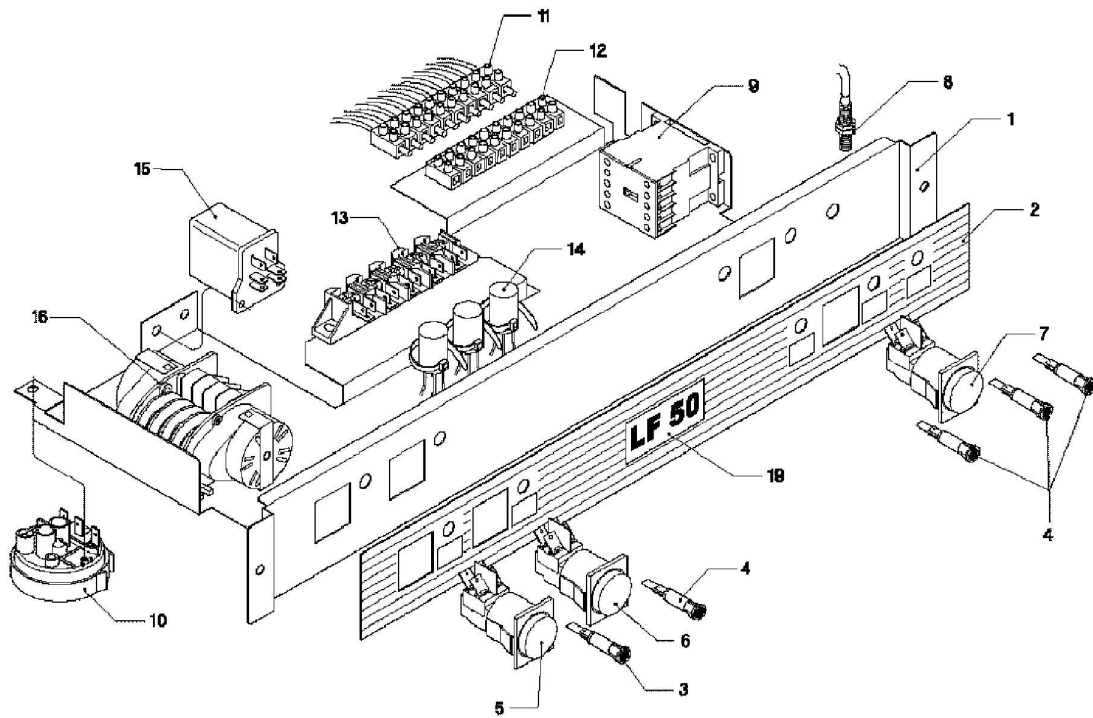
+7(812)987-08-81



Зип Общепит

vsezip.ru

+7(812)987-08-81



| Page | Pos | Code | Description | Info |
|------|-----|---------------|------------------------|-----------------------|
| 002 | 001 | LF50E-Pos.001 | BASE | 01/01/2003- |
| 002 | 002 | 3191250 | TANK | 01/01/2003- |
| 002 | 003 | 3015060 | DOOR | 01/01/2003- |
| 002 | 004 | 32W0870 | MAGNET | 01/01/2003- |
| 002 | 005 | 31W0061 | SPRING | 01/01/2003- |
| 002 | 006 | 3110250 | NUT CATCH | 01/01/2003- |
| 002 | 007 | 36M7350 | DOOR HANDLE | 01/01/2003- |
| 002 | 008 | 3242320 | HANDLETRIM | 01/01/2003- |
| 002 | 009 | 36Q1600 | FOOT | 01/01/2003-31/08/2009 |
| 002 | 010 | 36G9150 | DOOR PIN | 01/01/2003- |
| 002 | 011 | 36M6230 | DOOR HINGE | 01/01/2003- |
| 002 | 012 | 3021440 | RIGHT PANEL | 01/01/2003- |
| 002 | 013 | 3021430 | LEFT PANEL | 01/01/2003- |
| 002 | 014 | 3025830 | BACK PANEL | 01/01/2003- |
| 002 | 015 | 3113200 | NUT | 01/01/2003- |
| 002 | 016 | 3027830 | UPPER SIDE PANEL | 01/01/2003- |
| 002 | 017 | 3209600 | LOWER PANEL | 01/01/2003- |
| 002 | 018 | 36H0670 | DOOR SCREW STAY | 01/01/2003- |
| 002 | 019 | 35Z5530 | PLATE | 01/01/2003- |
| 002 | 020 | 3AT1410 | DOOR SUPPORT | 01/01/2003- |
| 002 | 021 | 36A4160 | RINSE-AID BOX | 01/01/2003- |
| 002 | 022 | 30Q1450 | FILTER | 01/01/2003- |
| 002 | 023 | 111AA09 | PROTECTION PIPE | 01/01/2003- |
| 003 | 001 | 33D2330 | NON-RETURN VALVE + NUT | 01/01/2003-31/08/2007 |
| 003 | 002 | 33M1300 | RUBBER HOSE | 01/01/2003- |
| 003 | 003 | 3140230 | 12/20 PIPE CLAMP | 01/01/2003- |
| 003 | 004 | 33Q4150 | PIPE FITTING | 01/01/2003- |
| 003 | 005 | 32Z8830 | SAFETY THERMOSTAT | 01/01/2003- |
| 003 | 006 | 36M2830 | HANDLE | 01/01/2003- |
| 003 | 007 | 32Z8840 | THERMOSTAT 30-90C | 01/01/2003- |
| 003 | 008 | 32V2630 | TANK THERMOSTAT | 01/01/2003- |
| 003 | 009 | 33D2300 | LANG DISPENSER | 01/01/2003- |
| 003 | 010 | 33D2310 | SOLENOID VALVE | 01/01/2003- |
| 003 | 011 | 3008130 | TERMINAL BOARD | 01/01/2003- |
| 003 | 012 | 33M0350 | PIPE | 01/01/2003- |
| 003 | 013 | 111AA09 | PROTECTION PIPE | 01/01/2003- |
| 003 | 014 | 3037870 | GASKET | 01/01/2003- |
| 003 | 015 | 33Q2190 | RING NUT | 01/01/2003- |
| 003 | 016 | LF50E-Pos.016 | CLAMP | 01/01/2003- |
| 003 | 017 | 33M1310 | RUBBER PIPE | 01/01/2003- |
| 003 | 018 | 32G2140 | HEATING EL. | 01/01/2003- |
| 003 | 019 | 34A1950 | BOILER | 01/01/2003- |
| 003 | 020 | LF50E-Pos.020 | BEARING ELECTRIC VALVE | 01/01/2003- |
| 003 | 021 | LF50E-Pos.021 | FAIRLEAD | 01/01/2003- |
| 003 | 022 | 3152160 | OR RING | 01/01/2003- |
| 003 | 023 | LF50E-Pos.023 | SCREW | 01/01/2003- |
| 003 | 024 | 3152420 | O-RING | 01/01/2003- |
| 004 | 001 | 3070360 | HEATING ELEMENT 2500W | 01/12/2005-31/05/2010 |
| 004 | 002 | 32M5770 | PUMP | 01/01/2003- |
| 004 | 003 | 33M1270 | OUTLET ELBOW | 01/01/2003- |
| 004 | 004 | 3190430 | PRESSURE SWITCH PIPE | 01/01/2003- |

| Page | Pos | Code | Description | Info |
|------|-----|---------------|------------------------------|-----------------------|
| 004 | 005 | 33Q2190 | RING NUT | 01/01/2003- |
| 004 | 006 | 3065600 | PIPE | 01/01/2003- |
| 004 | 007 | 33M1260 | INTAKE PIPE FITTING | 01/01/2003-30/06/2015 |
| 004 | 008 | LF50E-Pos.008 | CLAMP | 01/01/2003- |
| 004 | 009 | 3173700 | CAPACITOR | 01/01/2003- |
| 004 | 010 | 3151890 | GASKET | 01/01/2003- |
| 004 | 011 | 33M0510 | AIR TRAP | 01/01/2003- |
| 004 | 012 | 3140230 | 12/20 PIPE CLAMP | 01/01/2003- |
| 004 | 013 | 33M1300 | RUBBER HOSE | 01/01/2003- |
| 004 | 014 | 36G9050 | PIPE FITTING | 01/01/2003- |
| 004 | 015 | 3092670 | INFERIOR RINSE PIN | 01/01/2003- |
| 004 | 016 | 3070120 | REDUCTION BUSH | 01/01/2003- |
| 004 | 017 | 3070540 | WASHING INFER. PIPE FITTING | 01/01/2003- |
| 004 | 018 | 3065610 | UPPER OUTLET PIPE | 01/01/2003- |
| 004 | 019 | 3056450 | WASHING/RINSE HUB | 01/01/2003- |
| 004 | 020 | 33Q1090 | PIN | 01/01/2003- |
| 004 | 021 | 33D3090 | "DRAIN CONNECTION 1""1/4" | 01/01/2003-31/12/2008 |
| 004 | 022 | 3151930 | O-RING | 01/01/2003- |
| 004 | 023 | 33Q2160 | RING NUT | 01/01/2003- |
| 004 | 024 | 3025010 | SPACER | 01/01/2003- |
| 004 | 025 | 3029590 | PIPE FOR OUTLET 90° Ø32 | 01/02/2004- |
| 004 | 026 | 33M0130 | WASHING/RINSE HUB | 01/01/2003- |
| 004 | 027 | 3150230 | GASKET | 01/01/2003- |
| 004 | 028 | 33M0360 | FLANGE | 01/01/2003- |
| 004 | 029 | 31A0560 | STEEL SCREW M6X10 | 01/01/2003- |
| 004 | 030 | 33Q4190 | LOCK NUT | 01/01/2003- |
| 004 | 031 | LF50E-Pos.031 | CLAMP Ø 44÷56 | 01/01/2003- |
| 004 | 032 | 3092680 | WASHER | 01/01/2003- |
| 004 | 033 | 3095440 | INTAKE PIPE FITTING COVER | 01/01/2003- |
| 004 | 034 | 3100110 | RING NUT | 01/01/2003- |
| 004 | 035 | 30Q1330 | FILTER | 01/01/2003- |
| 004 | 036 | 33Q4180 | INTAKE PIPE FITTING ASS.Y | 01/01/2003- |
| 004 | 037 | 37Q4190 | GASKET | 01/01/2003- |
| 004 | 038 | 33D3080 | OVERFLOW | 01/01/2003- |
| 004 | 039 | 3152690 | O RING | 01/01/2003- |
| 004 | 040 | LF50E-Pos.040 | SCREW M10X16 | 01/01/2003- |
| 004 | 041 | LF50E-Pos.041 | WASHER | 01/01/2003- |
| 004 | 042 | LF50E-Pos.042 | GASKET | 01/01/2003- |
| 004 | 043 | LF50E-Pos.043 | NUT M10 | 01/01/2003- |
| 005 | 001 | 33M0500 | HUB+NUT | 01/01/2003- |
| 005 | 002 | 36G8540 | WASH BLADES 495X58X16 | 01/01/2003- |
| 005 | 003 | 36G9060 | RINSE PIN | 01/01/2003- |
| 005 | 004 | 36G8550 | RINSE HUB | 01/01/2003- |
| 005 | 005 | 33T2940 | NOZZLE | 01/01/2003- |
| 005 | 006 | 31C0070 | SCREW | 01/01/2003- |
| 005 | 007 | 3152180 | O RING | 01/01/2003- |
| 005 | 008 | 36C3870 | "PLUG FOR ARM + RING ""OR""" | 01/01/2003- |
| 005 | 009 | 33Q3710 | RING NUT | 01/01/2003- |
| 005 | 010 | 35X4860 | RIGHT RINSE ARM | 01/01/2003- |
| 005 | 011 | 35X4870 | LEFT RINSE ARM | 01/01/2003- |
| 005 | 012 | 3152400 | OO | 01/01/2003- |

| Page | Pos | Code | Description | Info |
|------|-----|---------------|------------------------|-----------------------|
| 005 | 013 | 30Z2680 | WASHING ARM | 01/01/2003- |
| 005 | 014 | 30Z1491 | COMPL. RINSE ARM | 01/01/2003- |
| 005 | 015 | 3011210 | PLUG | 01/01/2003- |
| 005 | 016 | LF50E-Pos.016 | O-RING | 01/01/2003- |
| 006 | 001 | LF50E-Pos.001 | ELECTRIC PANEL | 01/01/2003- |
| 006 | 002 | 37N2740 | PLATE | 01/01/2003- |
| 006 | 003 | 32W2140 | LAMP | 01/01/2003- |
| 006 | 004 | 32W2130 | LAMP | 01/01/2003- |
| 006 | 005 | 32V2030 | SWITCH ON-OFF | 01/01/2003- |
| 006 | 006 | 32V2050 | SWITCH | 01/01/2003- |
| 006 | 007 | 32V2040 | WASHING PROGRAM SWITCH | 01/01/2003- |
| 006 | 008 | 32Z8650 | MAGNETIC REED | 01/01/2003- |
| 006 | 009 | 32V0560 | CONTACTOR | 01/01/2003- |
| 006 | 010 | 32Z8930 | PRESSURE-SWITCH | 01/01/2003- |
| 006 | 011 | 3177480 | 20/40 TERMINAL BOARD | 01/01/2003- |
| 006 | 012 | 3177490 | TERMINAL BOARD | 01/01/2003- |
| 006 | 013 | 32D1700 | TERMINAL BOARD | 01/01/2003- |
| 006 | 014 | 3208400 | THREE PHASE FILTER | 01/01/2003- |
| 006 | 015 | 32V0540 | RELAY 230V | 01/01/2003- |
| 006 | 016 | 32V2060 | "TIMER 120""-180"" | 01/01/2003- |
| 006 | 019 | 37N2750 | PLATE | 01/01/2003-30/09/2012 |