

Зип Общепит

vsezip.ru

+7(812)987-08-81



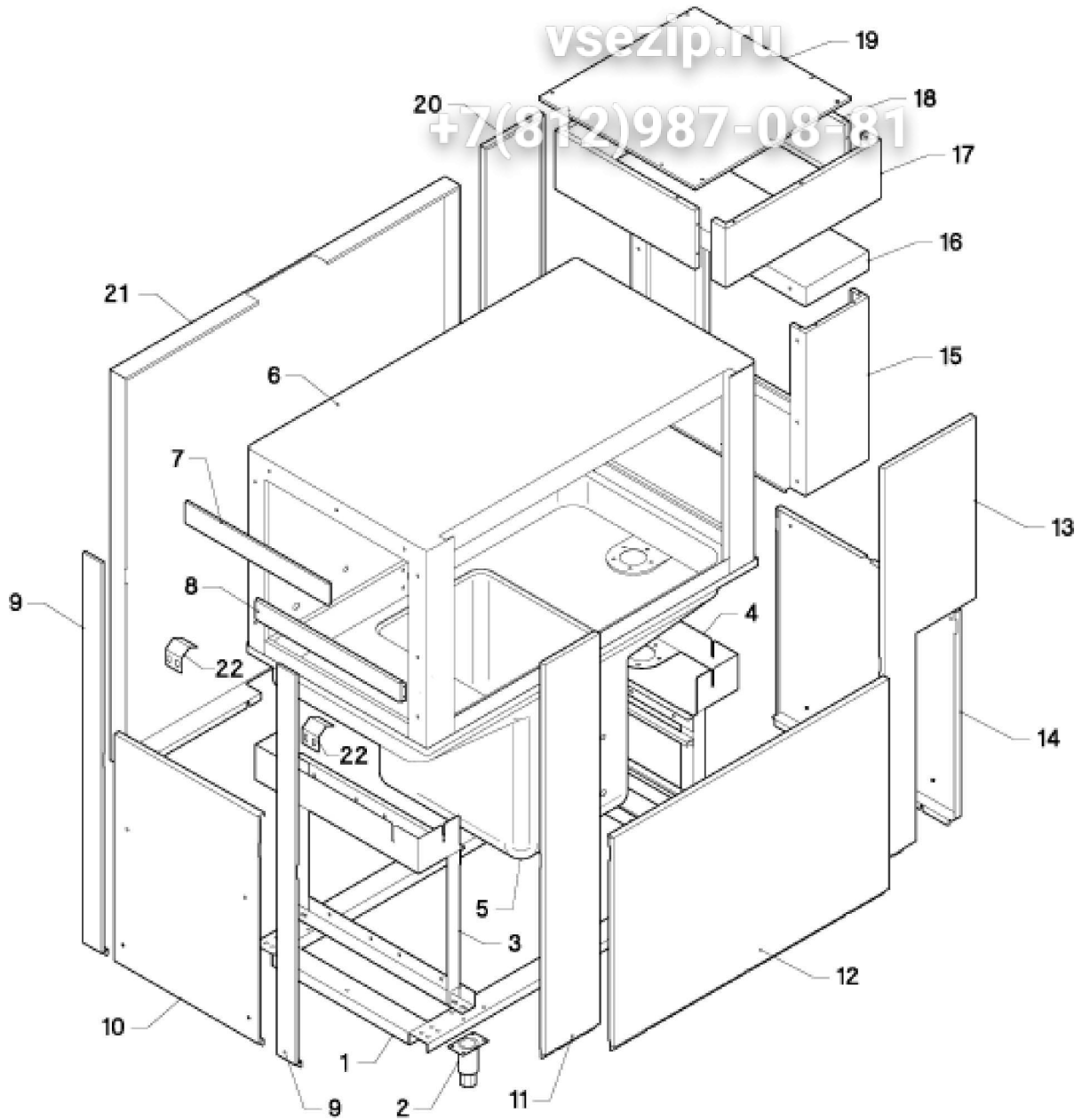
**C207D-VERS.2006**

**Edition 20080101-**

Зип Общепит

vsezip.ru

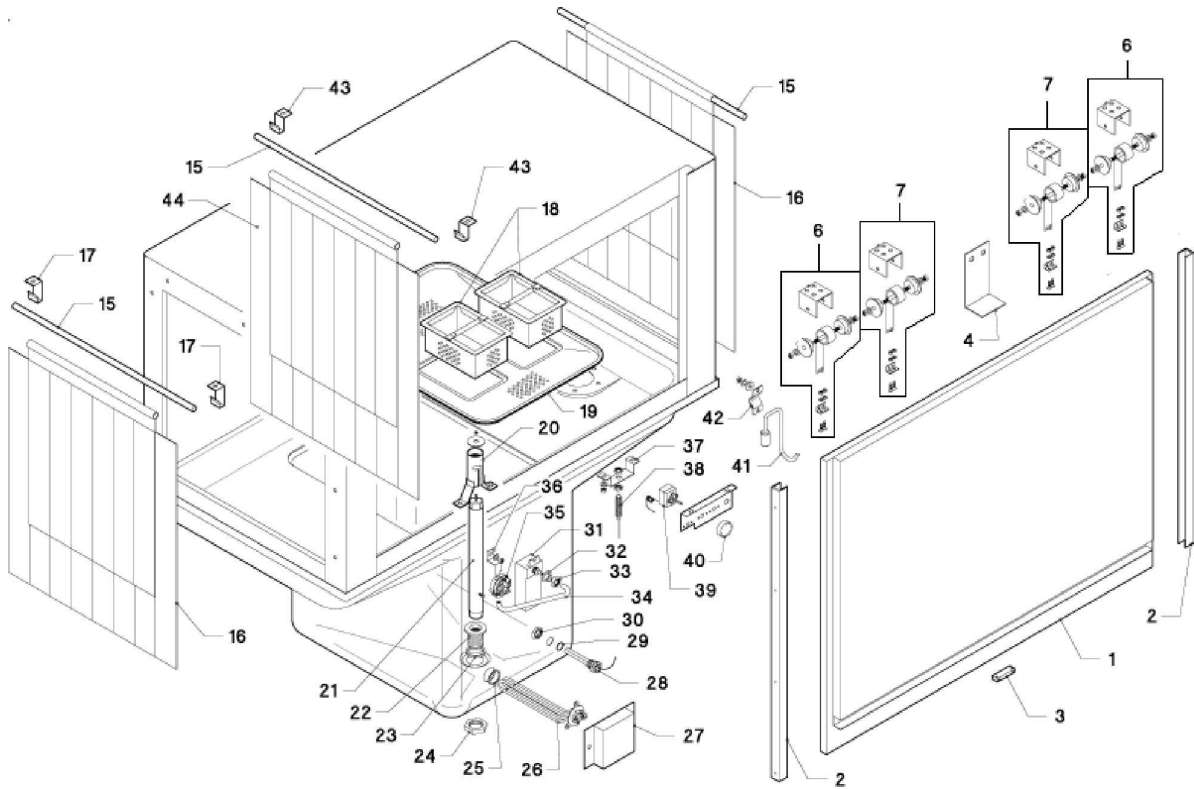
+7(812)987-08-81



Зип Общепит

vsezip.ru

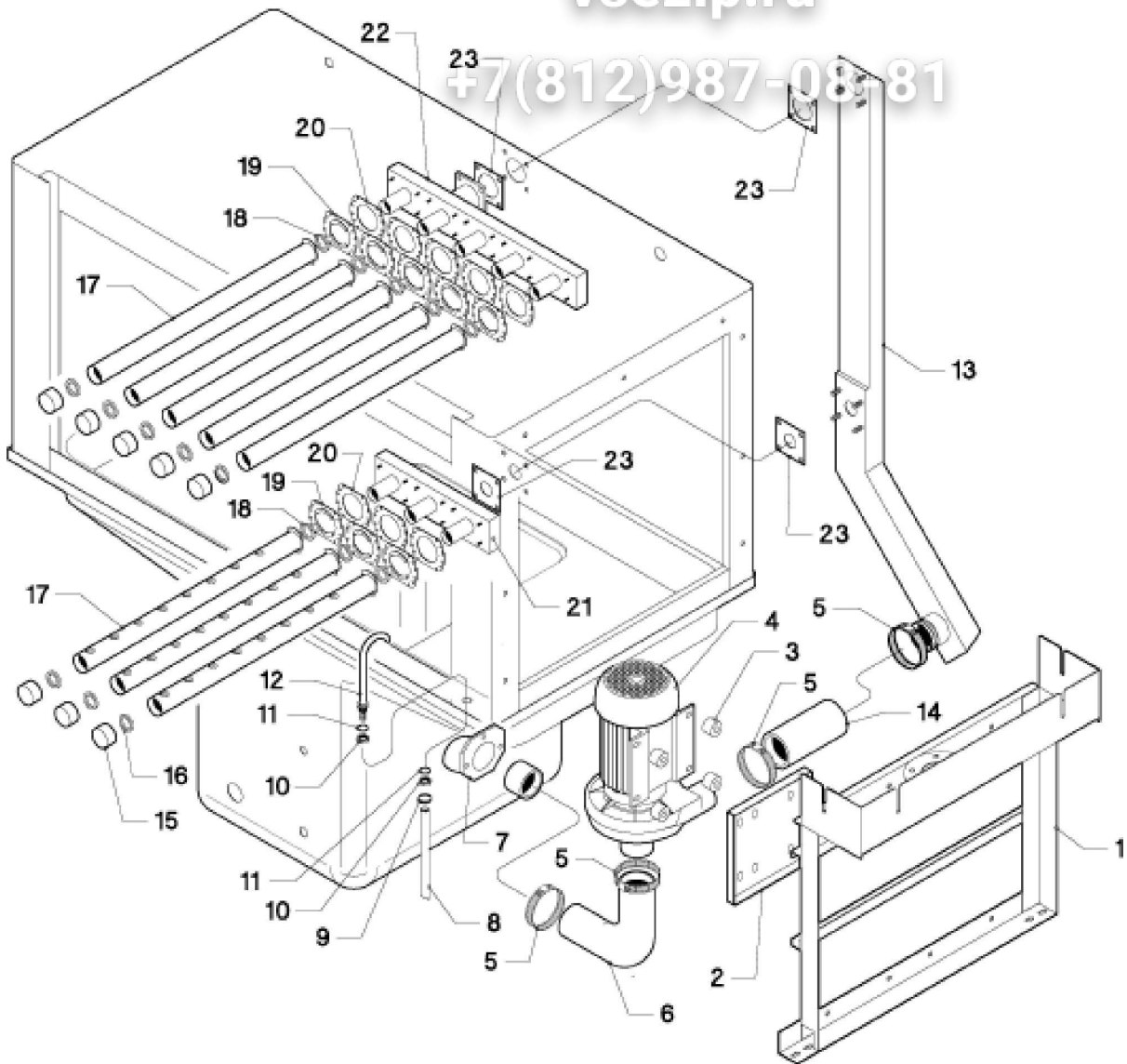
+7(812)987-08-81



Зип Общепит

vsezip.ru

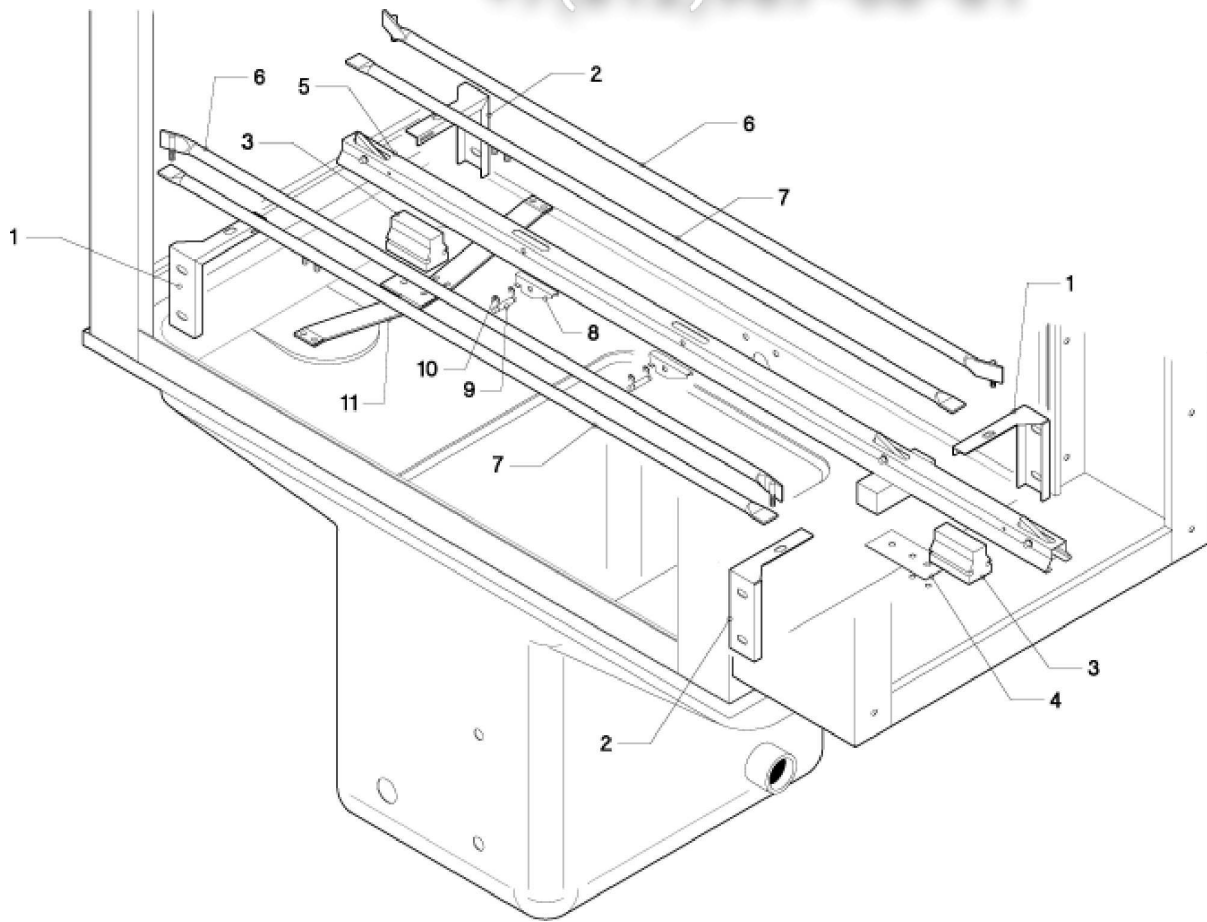
+7(812)987-08-81



Зип Ощепит

vsezip.ru

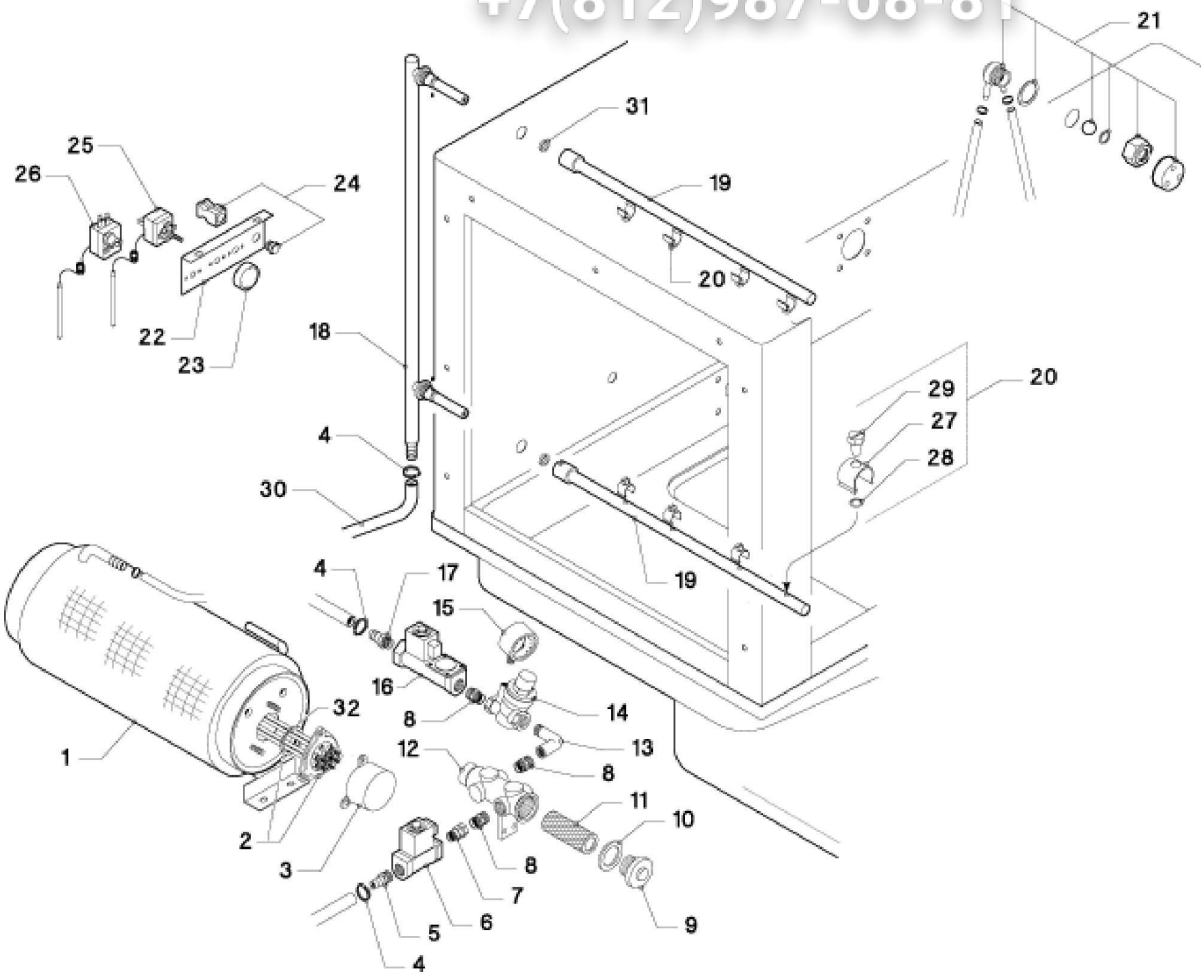
+7(812)987-08-81



Зип Общепит

vsezip.ru

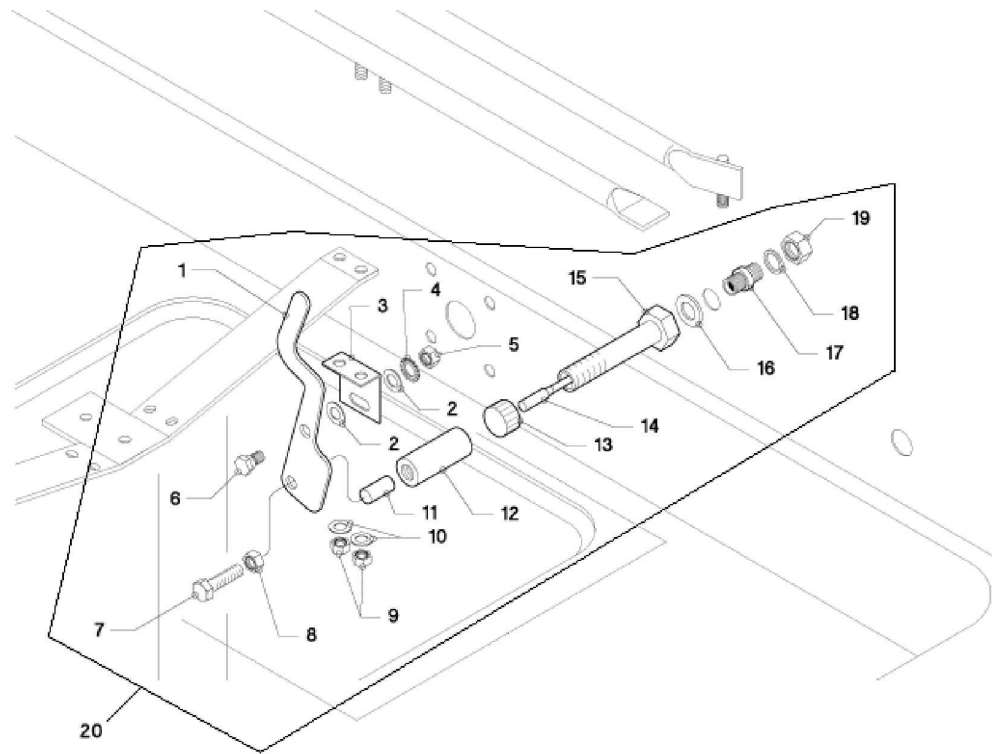
+7(812)987-08-81



Зип Общепит

vsezip.ru

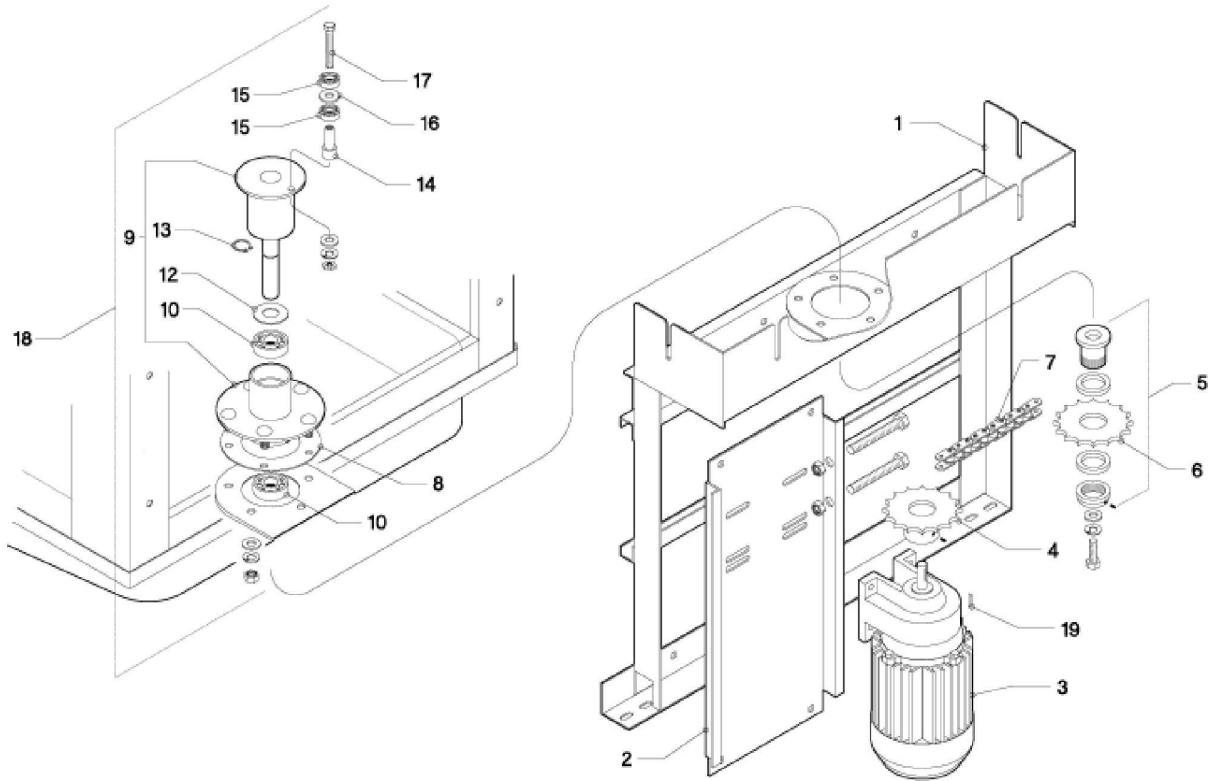
+7(812)987-08-81



Зип Общепит

vsezip.ru

+7(812)987-08-81







Page	Pos	Code	Description	Info
002	001	C207D-Pos.001	BASE	01/01/2006-
002	002	36Q0940	STAINLESS STEEL FOOT	01/01/2006-
002	003	C207D-Pos.003	TANK SUPPORT	01/01/2006-
002	004	C207D-Pos.004	SPEED REDUCER SUPPORT	01/01/2006-
002	005	C207D-Pos.005	TANK	01/01/2006-
002	006	C207D-Pos.006	HOOD	01/01/2006-
002	007	C207D-Pos.007	UPPER PANEL OF THE EXIT	01/01/2006-
002	008	C207D-Pos.008	RAISING	01/01/2006-
002	009	C207D-Pos.009	LATERAL PANEL OF THE EXIT	01/01/2006-
002	010	3246780	LOWER PANEL OF THE EXIT	01/01/2006-
002	011	C207D-Pos.011	FRONTAL PANEL OF THE EXIT	01/01/2006-
002	012	C207D-Pos.012	LOWER PANEL	01/01/2006-
002	013	C207D-Pos.013	RIGHT FRONTAL PANEL	01/01/2006-
002	014	C207D-Pos.014	LOWER PANEL OF THE ENTRANCE	01/01/2006-
002	015	C207D-Pos.015	HOOD SPRAY-GUARD	01/01/2006-
002	016	C207D-Pos.016	HAT HOOD	01/01/2006-
002	017	C207D-Pos.017	FRONTAL FOR BOX	01/01/2006-
002	018	C207D-Pos.018	BAND FOR BOX	01/01/2006-
002	019	C207D-Pos.019	HAT FOR BOX	01/01/2006-
002	020	C207D-Pos.020	HOOD BACK PANEL	01/01/2006-
002	021	3024390	BACK PANEL	01/01/2006-
002	022	35Z1110	BRACKET UNLOADING TRACK	01/01/2006-
003	001	3204680	DOOR	01/01/2006-
003	002	3185260	GUIDE	01/01/2006-
003	003	3023650	PROTECTION MAGNETO	01/01/2006-
003	004	3AT1470	SPRING LOCK	01/01/2006-
003	006	36G8740	SPRING	01/01/2006-
003	007	36G8750	SPRING	01/01/2006-
003	015	36G7580	SHAFT	01/01/2006-
003	016	36Z0730	SPLASH GUARD CURTAIN 640XH=500	01/01/2006-
003	017	3027270	BRACKET CURTAIN	01/01/2006-
003	018	3022030	DRAWER FILTER	01/01/2006-
003	019	3024510	TANK FILTER	01/01/2006-
003	020	30T2720	OVER FLOW GUIDE	01/01/2006-
003	021	3022830	Overflow pipe	01/01/2006-
003	022	33Q4740	"DRAIN CONNECTION 1""1/4"	01/01/2006-
003	023	3151930	O-RING	01/01/2006-
003	024	33Q2160	RING NUT	01/01/2006-
003	025	3152160	OR RING	01/01/2006-
003	026	32G2170	HEATING ELEMENT 8000W	01/01/2006-
003	027	3FL0216	HEATING COVER	01/01/2006-
003	028	30Q1070	BULB HOLDER	01/01/2006-
003	029	C207D-Pos.029	GASKET	01/01/2006-
003	030	3201840	LOCK NUT 1/2"	01/01/2006-
003	031	33D1390	AIR TRAP	01/01/2006-
003	032	3151890	GASKET	01/01/2006-
003	033	33Q2190	RING NUT	01/01/2006-
003	034	3190430	PRESSURE SWITCH PIPE	01/01/2006-
003	035	3102100	PRESSURE-SWITCH 58/131	01/01/2006-
003	036	C207D-Pos.036	PRESSURE SWITCH SUPP.	01/01/2006-
003	037	35Q9260	REED BRACKET	01/01/2006-

Page	Pos	Code	Description	Info
003	038	32Z8650	MAGNETIC REED	01/01/2006-
003	039	32V1910	THERMOSTAT 0-90	01/01/2006-
003	040	36M2830	HANDLE	01/01/2006-
003	041	3185270	DOOR SAFETY	01/01/2006-
003	042	3185280	DOOR SAFETY	01/01/2006-
003	043	3037880	BRACKET BRACKET CURTAIN	01/01/2006-
003	044	36Z0720	SPLASH GUARD CURTAIN 640XH=410	01/01/2006-
004	001	C207D-Pos.001	SPEED REDUCER SUPPORT	01/01/2006-
004	002	3022210	PLATE	01/01/2006-
004	003	3185290	SHOCK ABSORBERS	01/01/2006-
004	004	32M4830	PUMP	01/01/2006-
004	005	3022220	CLAMP	01/01/2006-
004	006	33M1290	RUBBER INTAKE PIPE FITTING	01/01/2006-
004	007	33Q4290	ONTAKE PIPE FITTING	01/01/2006-
004	008	33M1210	RUBBER PIPE	01/01/2006-
004	009	C207D-Pos.009	CLAMP	01/01/2006-
004	010	33Q2190	RING NUT	01/01/2006-
004	011	3152170	O-RING	01/01/2006-
004	012	33Q2660	TANK LOADING PIPE	01/01/2006-
004	013	C207D-Pos.013	WASHING PIPE	01/01/2006-
004	014	3027490	OUTLET ELBOW	01/01/2006-
004	015	36Q1930	PLUG INOX	01/01/2006-
004	016	3151980	GASKET	01/01/2006-
004	017	3023380	WASHING ARM	01/01/2006-
004	018	3152780	GASKET	01/01/2006-
004	019	36G9400	FLANGE COUPLING	01/01/2006-
004	020	36G9390	FLANGE	01/01/2006-
004	021	C207D-Pos.021	LOWER WASHING PIPE	01/01/2006-
004	022	C207D-Pos.022	UPPER WASHING PIPE	01/01/2006-
004	023	3151900	GASKET	01/01/2006-
005	001	3210690	SUPPORT GUIDE	01/01/2006-
005	002	3210700	SUPPORT GUIDE	01/01/2006-
005	003	30T3390	GUIDE SUPPORT	01/01/2006-
005	004	C207D-Pos.004	BRACKET	01/01/2006-
005	005	C207D-Pos.005	PAWL BAR	01/01/2006-
005	006	3245080	LATERAL BASKET GUIDE	01/01/2006-
005	007	C207D-Pos.007	LOWER BASKET GUIDE	01/01/2006-
005	008	36G7550	PAWL	01/01/2006-
005	009	33Q2830	PIN	01/01/2006-
005	010	3FL0314	SEEGER	01/01/2006-
005	011	C207D-Pos.011	SUPPORT GUIDE	01/01/2006-
006	001	34A2170	BOILER 13.8 LTRS.	01/01/2006-
006	002	32G2840	HEATING ELEMENT	01/01/2006-
006	003	3150321	HEAT.ELEM.PROTECTION	01/01/2006-
006	004	C207D-Pos.004	CLAMP	01/01/2006-
006	005	33Q4770	PIPE FITTING 1/2"	01/01/2006-
006	006	33D1060	"SOLENOID VALVE 1/2""	01/01/2006-
006	007	3022550	PIPE UNION 1/2"	01/01/2006-
006	008	3071310	"NIPPLE 1/2""	01/01/2006-
006	009	3044700	PLUG	01/01/2006-
006	010	3044690	GASKET	01/01/2006-

Page	Pos	Code	Description	Info
006	011	30Q1290	FILTER	01/01/2006-
006	012	30Q1490	FILTER	01/01/2006-
006	013	3071300	"PIPE UNION 1/2""	01/01/2006-
006	014	33D3220	"PRESSURE REDUCER 1/2""	01/01/2006-
006	015	33D2090	PRESSURE GANCE C-45BAR 050 L	01/01/2006-
006	016	33D1050	"SOLENOID VALVE 3/4""	01/01/2006-
006	017	3022540	PIPE FITTING 3/4"	01/01/2006-
006	018	3035900	RINSE PIPE	01/01/2006-
006	019	3035890	UPPER/LOWER RINSE ARM	01/01/2006-
006	020	3035880	COMPLETE SPRAYING NOZZLE	01/01/2006-
006	021	33D2100	SAFETY VALVE	01/01/2006-
006	022	3106750	THERMOSTAT BRACKET	01/01/2006-
006	023	36M2830	HANDLE	01/01/2006-
006	024	3106740	PUSH BUTTON	01/01/2006-
006	025	32V1910	THERMOSTAT 0-90	01/01/2006-
006	026	32Z8830	SAFETY THERMOSTAT	01/01/2006-
006	027	3210420	RINSE JET COLLAR	01/01/2006-
006	028	3152400	OO	01/01/2006-
006	029	33T2740	SPRAYING NOZZLE	01/01/2006-
006	030	33M1210	RUBBER PIPE	01/01/2006-
006	031	3152810	GASKET	01/01/2006-
006	032	3204620	OR GASKET	01/01/2006-
007	001	3075110	ACTUATOR	01/01/2006-
007	002	3123670	WASHER	01/01/2006-
007	003	3028870	ECONOMISER BRACKET	01/01/2006-
007	004	3226310	WASHER	01/01/2006-
007	005	3110050	STEEL NUT M8X6.5	01/01/2006-
007	006	36G9030	JOINT PIN	01/01/2006-
007	007	3191780	SCREW	01/01/2006-
007	008	3117620	STEEL NUT M10X8	01/01/2006-
007	009	3245170	NUT	01/01/2006-
007	010	3245160	WASHER	01/01/2006-
007	011	32Z8630	MAGNET	01/01/2006-
007	012	3025480	COVER MAGNET	01/01/2006-
007	013	36R0030	PLUG	01/01/2006-
007	014	32Z8650	MAGNETIC REED	01/01/2006-
007	015	35W0680	REED COVER	01/01/2006-
007	016	3061510	GASKET	01/01/2006-
007	017	3023750	PIPE FITTING	01/01/2006-
007	018	3152170	O-RING	01/01/2006-
007	019	33Q2190	RING NUT	01/01/2006-
007	020	3075120	ECONOMISER ASSEMBLY	01/01/2006-
008	001	C207D-Pos.001	SPEED REDUCER SUPPORT	01/01/2006-
008	002	C207D-Pos.002	SPEED REDUCER PLATE	01/01/2006-
008	003	32M4880	SPEED REDUCER	01/01/2006-
008	004	36G7700	SPROCKET	01/01/2006-
008	005	36G7540	TORQUE LIMITER	01/01/2006-
008	006	36G7690	GEAR	01/01/2006-
008	007	36G8880	"CHAIN P= 1/2"" (C165/C92)"	01/01/2006-
008	008	37Q1640	GASKET	01/01/2006-
008	009	36G7590	TOWING GEAR	01/01/2006-

Page	Pos	Code	Description	Info
008	010	36G7500	BALL BEARING	01/01/2006-
008	012	3151940	SEAL	01/01/2006-
008	013	3120950	SEEGER Ø20	01/01/2006-
008	014	36H0210	PIN	01/01/2006-
008	015	36G7510	BEARING	01/01/2006-
008	016	3120420	WASHER	01/01/2006-
008	017	3104860	STEEL SCREW M8x70	01/01/2006-
008	018	3095670	DRIVE EXCENTER	01/01/2006-
008	019	3191110	KEY 6X6X25	01/01/2006-
009	001	C207D-Pos.001	CONTROL PANEL	01/01/2006-
009	002	3114640	PLATE	01/01/2006-
009	003	3024980	GREEN SELECTOR 0 - 1	01/01/2006-
009	004	32W1730	GREEN SWITCH	01/01/2006-
009	005	32W1740	RED SWITCH	01/01/2006-
009	006	3024990	BLACK SELECTOR	01/01/2006-
009	007	32Z8250	DIGITAL THERMOMETER	01/01/2006-
009	008	32W1750	MAIN STOP PUSH BUTTON	01/01/2006-
009	009	C207D-Pos.009	CABLE TRUNKING	01/01/2006-
009	010	32Z8800	TRANSFORMER	01/01/2006-
009	011	32Z9040	SWITCH	01/01/2006-
009	012	32Z9020	SWITCH	01/01/2006-
009	013	32Z8580	MAIN SWITCH	01/01/2006-
009	014	32Z8590	MAIN SWITCH	01/01/2006-
009	015	32Z8600	MAIN SWITCH	01/01/2006-
009	016	3004890	CONTACTOR	01/01/2006-
009	017	32V0560	CONTACTOR	01/01/2008-
009	018	32Z8780	OVERLOAD RELAY 4- 6A	01/01/2006-
009	019	32Z8710	OVERLOAD RELAY	01/01/2006-
009	020	3069840	TERMINAL BOARD	01/01/2006-
009	021	3002540	TERMINAL	01/01/2006-
009	022	32V4940	TERMINAL 10 mm	01/01/2006-
009	023	C207D-Pos.023	TERMINAL	01/01/2006-
009	024	3246960	TERMINAL	01/01/2006-
009	025	C207D-Pos.025	TERMINAL BLOCK FLANGE	01/01/2006-
009	026	32Z8640	RELAY	01/01/2006-
009	027	C207D-Pos.027	CABINET COVER	01/01/2006-
009	028	C207D-Pos.028	CABINET	01/01/2006-
009	029	C207D-Pos.029	TERMINAL	01/01/2006-