

Зип Общепит

vsezip.ru

+7(812)987-08-81



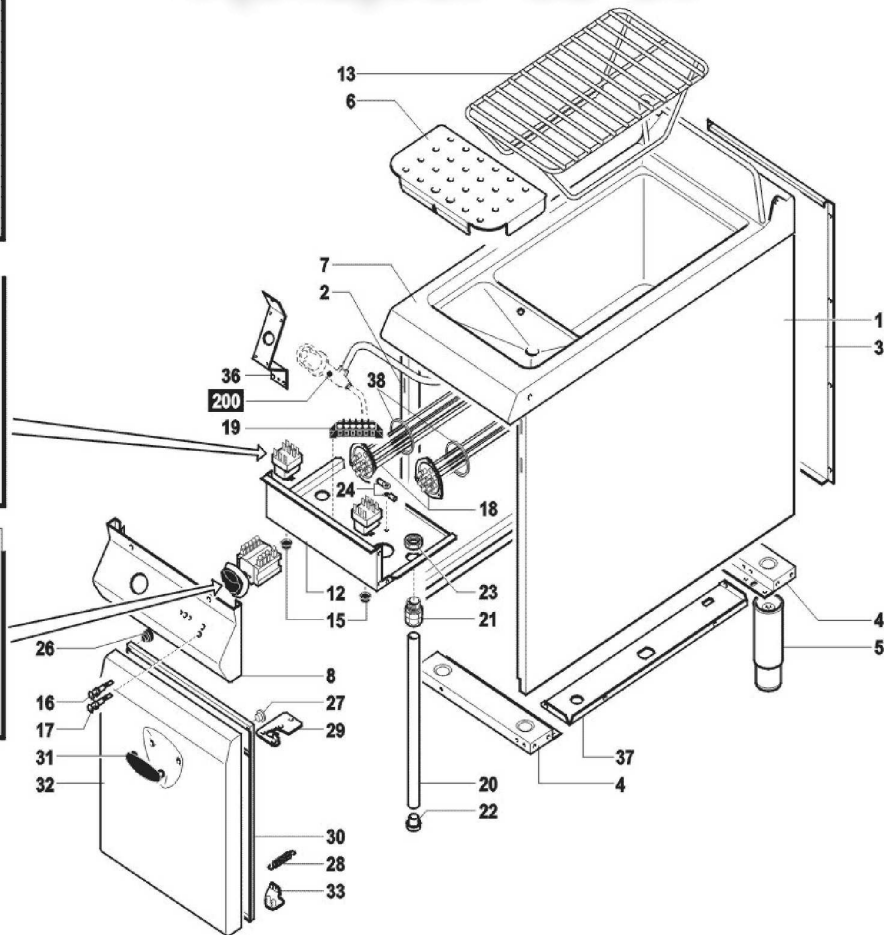
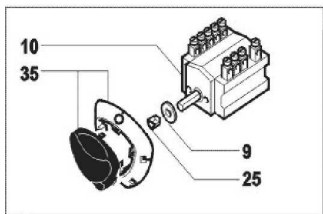
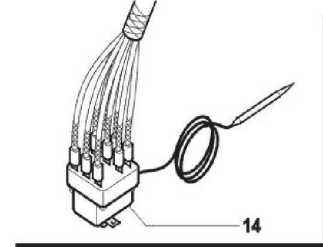
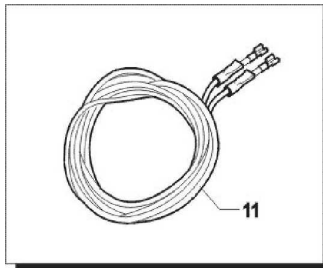
**0A1CP1E**

**Edition 20140617-**

Зип Общепит

vsezip.ru

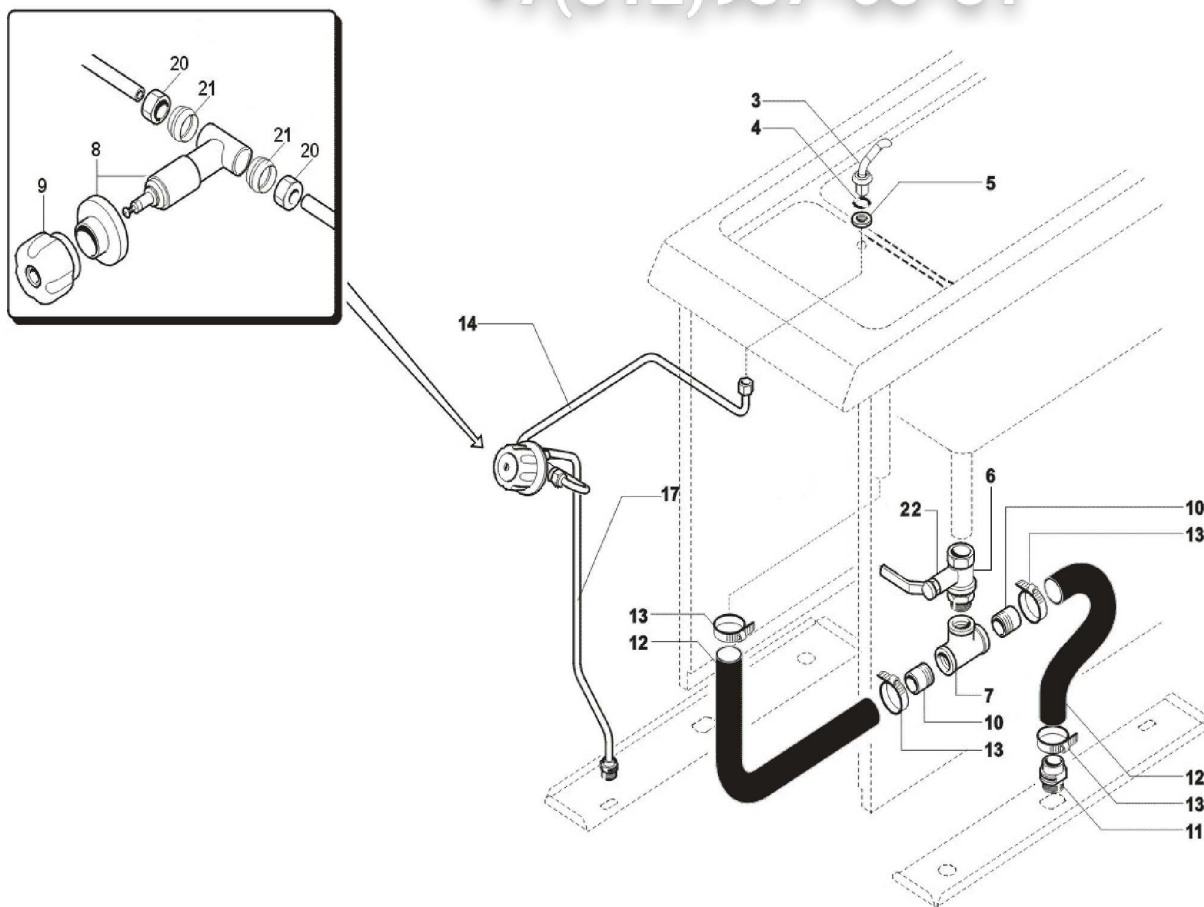
+7(812)987-08-81



Зип Общепит

vsezip.ru

+7(812)987-08-81



Page	Pos	Code	Description	Info
002	001	30A4900	RH PANEL	11/03/2002-
002	002	30A4890	LH PANEL	11/03/2002-
002	003	35A1582	REAR PANEL 400	03/04/2012-
002	004	35R1451	OMEGA FRAME	04/07/2000-
002	005	36C2970	STAINLESS STEEL FOOT	01/02/1999-
002	006	35M9431	FALSE BOTTOM ASS. Y	17/06/2014-
002	007	30M5192	TOP WELL ASS. Y 0A1CP1E	04/06/2002-
002	008	35C7761	CONTROL BOARD	01/06/2002-
002	009	3152240	THERMOSTAT PROTECT.	01/02/1999-
002	010	32W3260	SWITCH	01/02/1999-
002	011	32Q4060	CABLE GROUP	01/02/1999-
002	012	35C7751	PANEL HORIZONTAL	24/05/2004-
002	013	36A4640	BOTTOM NET 500X295X109	14/11/2000-
002	014	3014261	SAFETY THERMOSTAT	04/05/2009-
002	015	37Q3270	SWITCH COVER	01/02/1999-
002	016	6300652	GREEN LIGHT 400V ASS.Y	23/05/2007-
002	017	6300653	RED LAMP 400V ASS.Y	23/05/2007-
002	018	32G2310	HEATING EL.	01/02/1999-
002	019	32D1800	TERMINAL BOARD	24/05/2004-
002	020	35X3870	CABLE INLET PIPE	01/02/1999-
002	021	32D1250	PIPE JOINT 3/4"	01/02/1999-
002	022	32D1260	BUSHING	01/02/1999-
002	023	36Q1100	LOCK NUT 3/4"	01/02/1999-
002	024	17RNL01	CABLE TERMINAL	01/02/1999-
002	025	3170290	KNOB SPRING	01/02/1999-
002	026	36D6860	FOOT	01/02/1999-
002	028	36G5240	SPRING	01/02/1999-
002	029	36M3210	RH UPPER HINGE	01/02/1999-
002	030	35G8670	RH COUNTER DOOR	29/04/1999-
002	031	36M3400	HANDLE	01/02/1999-
002	032	35G8650	DOOR	29/04/1999-
002	033	36M3220	RH LOWER HINGE ASS. Y	01/02/1999-
002	035	6300485	EL. CONTROL ASS.Y	01/02/1999-
002	036	3003820	COCK SUPPORT	24/04/2003-
002	037	35R1480	CROSS MEMBER	01/02/1999-
002	038	3150430	"O" RING Ø 56.52	01/02/1999-
002	039	3188680	METALLIC HOSE (M.U.=MT)	13/12/2010-
002	200	M000260	M.WATER-DRAIN	01/02/1999-
003	001	35Q7830	FILTER	02/01/1999-
003	002	35S5900	FILTER SUPPORT	02/01/1999-
003	003	3003441	WATER SPOUT	02/04/2013-
003	004	37Q1210	"O" RING Ø 18.77"	01/02/1999-
003	005	36Q1110	LOCK NUT 3/8"	01/02/1999-
003	006	33D1980	COCK MF 1"	01/02/1999-
003	008	6300729	COCK ASSEMBLY	28/01/2009-
003	009	3162200	RED RING KNOB	28/01/2009-
003	010	35X3830	DRAIN PIPE	01/02/1999-
003	011	33Q3510	NIPPLE M 1"G	01/02/1999-
003	012	33M0800	PIPE	01/02/1999-
003	013	3140300	HOSE CLAMP	01/02/1999-
003	014	3003600	PIPE	24/04/2003-

Page	Pos	Code	Description	Info
003	017	3003610	WATER PIPE	24/04/2003-
003	020	36Q0140	BICONE NUT Ø 10	24/04/2003-
003	021	36Q0080	BICONE Ø 10X6.5	24/04/2003-
003	022	3029350	EXTENSION	01/02/1999-

+7(812)987-08-81