

Зип Общепит

vsezip.ru

+7(812)987-08-81



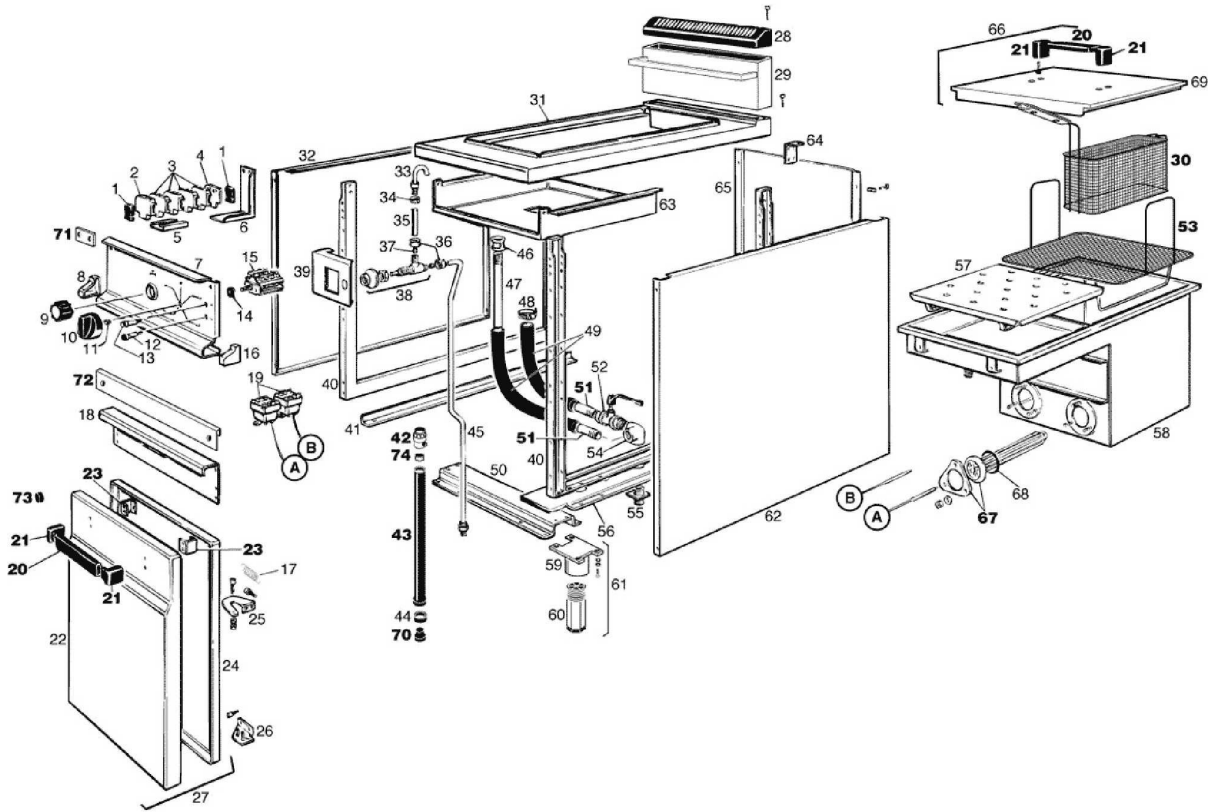
70СРЕ

Edition 20110101-

Зип Ощепит

vsezip.ru

+7(812)987-08-81



Pos	Code	Description	In o
001	32D0060	TERMINAL CLAMPING BOARD	01/09/1996-
002	32D0480	GROUND TERMINAL	01/09/1996-
003	32D0470	LIVE TERMINAL	01/09/1996-
004	32D0490	TERMINAL END COVER	01/09/1996-
005	32D0500	"C" BRACKET	01/09/1996-
006	35S0630	TERM. BLOCK SUPPORT	01/09/1996-
007	30A9340	UPPER CONTROL	01/09/1996-
008	36D3430	BOARD ASS.Y LH END SIDE	01/09/1996-
009	36M2642	RED RING KNOB	01/01/2011-
010	36M2400	ELECTRIC CONTROL KNOB	01/09/1996-
011	3170290	KNOB SPRING	01/09/1996-
012	3106720	RED LIGHT 230V	23/05/2007-
013	3106710	GREEN LIGHT 230V	23/05/2007-
014	3150790	THERMOSTAT PROTECT.	01/09/1996-
015	32W1050	SWITCH	01/09/1996-
016	36D3420	RH END SIDE	01/09/1996-
017	36G5240	SPRING	01/09/1996-
018	35G3120	UPPER FRONT PANEL	01/09/1996-
019	32Z2710	SAFETY THERMOSTAT	01/09/1996-
020	36M2471	HANDLE	01/09/1996-
021	36M2910	TERMINAL	01/09/1996-
022	35G1920	DOOR	01/09/1996-
023	35U3150	""C"" BRACKET"	01/09/1996-
024	3AG0140	RH INNER DOOR FRAME ASS. Y	01/09/1996-
025	36M2541	RH UPPER HINGE	01/09/1996-
026	36M2500	RH LOWER HINGE ASS. Y	01/09/1996-
027	6002500	DOOR ASS.Y	01/09/1996-
028	35Q5680	FLUE GUARD	01/09/1996-
029	30D1592	EXT. FLUE ASS. Y	01/09/1996-
030	36A2582	PASTA BASKET	01/09/1996-
031	30M1780	TOP ASS. Y	01/09/1996-
032	35A8120	LH PANEL	01/09/1996-
033	33Q2730	WATER SPOUT	01/09/1996-
034	36Q1110	LOCK NUT 3/8"	01/09/1996-
036	36Q0140	BICONE NUT Ø 10	01/09/1996-
037	36Q0080	BICONE Ø 10X6.5	01/09/1996-
038	33D0590	"COCK 3/8""	01/09/1996-
039	35S0620	COCK SUPPORT	01/09/1996-
040	30T1730	SIDE FRAME ASS. Y	01/09/1996-
041	35U3480	"L" BRACKET	01/09/1996-
042	32D1250	PIPE JOINT 3/4"	01/09/1996-
043	35X3640	CABLE INLET PIPE	01/09/1996-
044	32X0130	GROMMET Ø29-Ø37	01/09/1996-
046	33Q2260	SOCKET F 1"	01/09/1996-
047	35Z6560	"PIPE Ø 1""X280"	01/09/1996-
048	3140300	HOSE CLAMP	01/09/1996-
049	33M0800	PIPE	01/09/1996-
050	35U4580	"OMEGA" BRACKET	01/09/1996-
051	35Z3490	SPACER PIPE	01/09/1996-
052	33D1740	COCK MF	01/09/1996-
053	36A2730	BOTTOM NET	01/09/1996-

Pos	Code	Description	In o
054	33Q2880	SIDE OUTLET ELBOW	01/09/1996-
055	33Q5730	NIPPLE ASS. Y	01/09/1996-
056	35U8022	GAS CROSS MEMBER	01/09/1996-
057	30M1791	FALSE BOTTOM ASS. Y	01/09/1996-
058	30W2170	WELL ASS. Y	01/09/1996-
059	36D9360	FOOT HOUSING ASS. Y	01/09/1996-
060	36D9350	STAINLESS STEEL FOOT	01/09/1996-
061	36D9340	STAINLESS STEEL	01/09/1996-
062	35A8110	FOOT ASS.Y RH PANEL	01/09/1996-
063	35Q1310	GUARD ASS.Y	01/09/1996-
064	35U7140	"L" BRACKET	01/09/1996-
065	35A9220	REAR PANEL	01/09/1996-
066	6002050	WELL LID ASS. Y	01/09/1996-
067	32G1301	HEATING EL.	01/09/1996-
068	3150430	"O" RING Ø 56.52	01/09/1996-
069	35G2810	WELL LID	01/09/1996-
070	32D1260	BUSHING	01/09/1996-
071	35T9650	FLAT BRACKET	01/09/1996-
072	35U7280	GUARD ASS.Y	01/09/1996-
073	36D6860	FOOT	01/09/1996-
074	36Q1100	LOCK NUT 3/4"	01/09/1996-
075	32Q2380	EL. CABLES 30CPSE	01/09/1996-
076	35X3920	LH PIPE	25/03/1997-
077	30Z1980	WATER PIPE ASS. Y	25/03/1997-