

Зип Общепит

vsezip.ru

+7(812)987-08-81



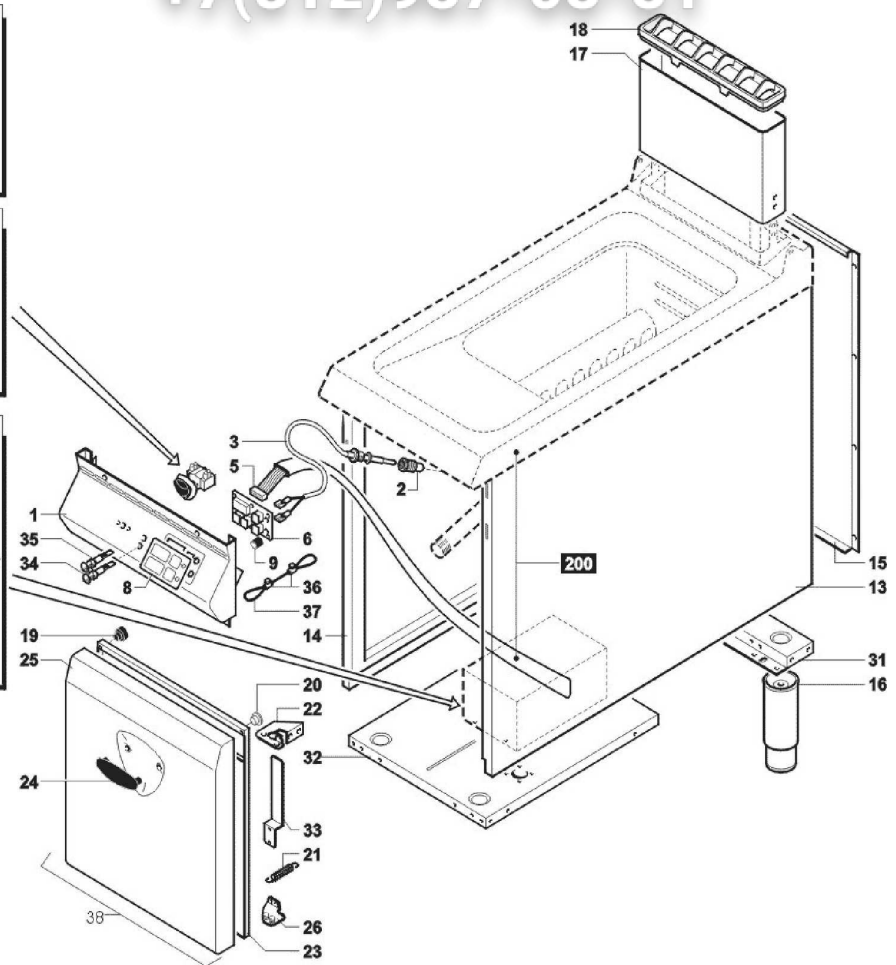
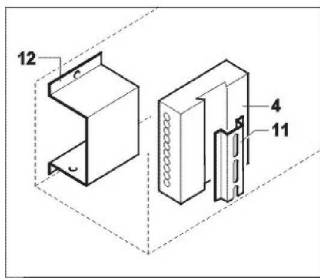
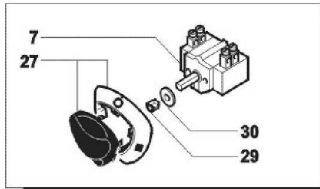
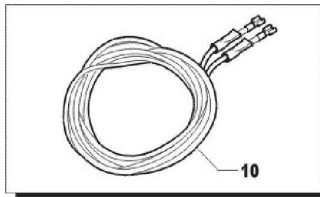
0A1FR1GD

Edition 20120731-

Зип Общепит

vsezip.ru

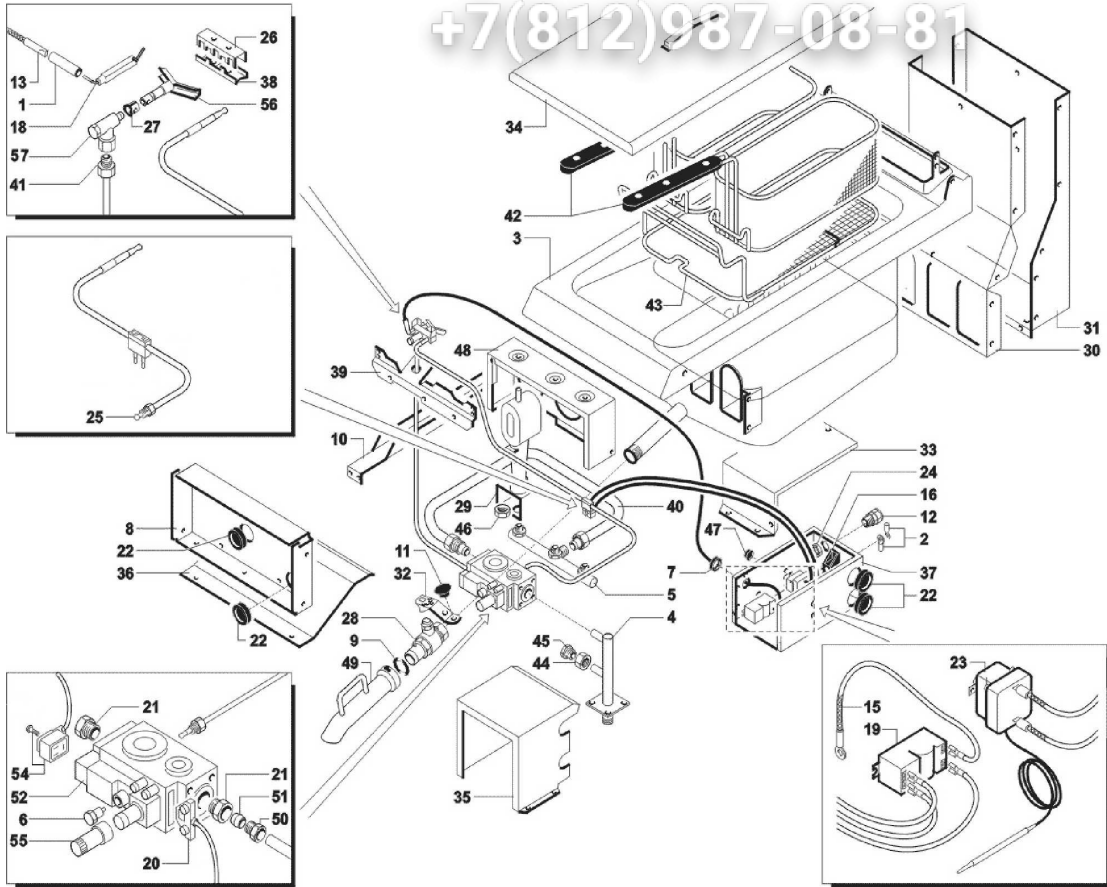
+7(812)987-08-81



Зип Общепит

vsezip.ru

+7(812)987-08-81



Page	Pos	Code	Description	Info
002	001	35C7931	CONTROL BOARD	01/06/2002-
002	002	36C2920	PROBE CONNECTOR	01/02/1999-
002	003	32V0030	THERMISTOR PROBE	01/02/1999-
002	004	32Z9090	ELECTONIC CONTROL	01/02/1999-
002	005	32A2290	ELECTRIC CABLE	01/02/1999-
002	006	32V0780	BOARD	01/02/1999-
002	007	32W0490	SWITCH	01/02/1999-
002	008	37M8560	CONTROL PANEL	01/02/1999-
002	009	36C0970	SPACER	01/02/1999-
002	010	32Q3981	CABLE ASS.Y	20/03/2001-
002	011	32D0540	"OMEGA" BRACKET	01/02/1999-
002	012	35P0320	EL. IGNITION GUARD	01/02/1999-
002	013	30A4900	RH PANEL	11/03/2002-
002	014	30A4890	LH PANEL	11/03/2002-
002	015	35A1582	REAR PANEL 400	03/04/2012-
002	016	36C2970	STAINLESS STEEL	01/02/1999-
002	017	30Q1810	EXT FLUE ASS. Y	30/10/2002-
002	018	36C2680	FLUE GUARD	01/02/1999-
002	019	36D6860	FOOT	01/02/1999-
002	021	36G5240	SPRING	01/02/1999-
002	022	36M5701	RH UPPER HINGE	15/04/1999-
002	023	35G8670	RH COUNTER DOOR	29/04/1999-
002	024	36M3400	HANDLE	01/02/1999-
002	025	35G8650	DOOR	29/04/1999-
002	026	36M3220	RH LOWER HINGE ASS. Y	01/02/1999-
002	027	6300481	EL. CONTROL ASS.Y	01/02/1999-
002	029	3170290	KNOB SPRING	01/02/1999-
002	030	3152240	THERMOSTAT PROTECT.	01/02/1999-
002	031	35R1451	OMEGA FRAME	04/07/2000-
002	032	35N1611	BOTTOM PLATE	30/06/2000-
002	033	35R0850	DRAIN SUPPORT	01/02/1999-
002	034	3106730	ORANGE LIGHT 230V	23/05/2007-
002	035	3106710	GREEN LIGHT 230V	23/05/2007-
002	036	3100210	TERMINAL BOARD	01/02/1999-
002	038	6010340	DOOR ASS.Y RIGHT	01/02/1999-
002	200	M000950	M.GAS DEEP-FAT FRYER	01/02/1999-
003	001	131AA46	HOSE 8'X40	01/02/1999-
003	002	17RNL01	CABLE TERMINAL	01/02/1999-
003	003	6300560	TOP WELL ASS. Y	19/05/2003-
003	004	30Z2000	GAS MANIFOLD ASS. Y	01/02/1999-
003	005	30Z7561	GAS MANIFOLD ASSEMBLY	01/02/1999-
003	006	33D2140	PIN VALVE	01/02/1999-
003	007	32X0140	GROMMET Ø13,5-Ø25	01/02/1999-
003	008	35A5791	PANEL HORIZONTAL	10/01/2005-
003	009	3151080	"O" RING Ø 29.80	01/02/1999-
003	010	35N2080	COVER SLIDE	01/02/1999-
003	011	36M5430	HANDLE	01/02/1999-
003	012	32D0830	FAIRLEAD Ø 8	01/02/1999-
003	013	32A0390	CABLE "HF" 1200MM	01/02/1999-
003	015	32A1640	CABLE "HF" 150MM	01/02/1999-
003	016	32D0171	TERMINAL BOARD	01/02/1999-

Page	Pos	Code	Description	Info
003	018	32T0010	IGNITION PLUG	01/02/1999-
003	019	32T0210	SPARK IGNITION DEVICE	20/03/2001-
003	020	33A0020	COMPL. VALVE	01/02/1999-
003	021	33Q2571	"REDUCTION MF 3/8"-1/2""	22/07/2004-
003	022	32X0130	GROMMET 1/29-1/37	01/02/1999-
003	023	32Z5612	SAFETY THERMOSTAT	04/12/2008-
003	024	32D1420	LOCK NUT PG11	01/02/1999-
003	025	6021780	INTERRUPTED THERMOC. M9X1X600	01/01/2007-
003	026	33A0950	CABL REAR BRACKET	01/02/1999-
003	027	33A0970	RING NUT	01/02/1999-
003	028	6024400	ASSEMBLY COCK	15/03/2007-
003	029	34A1670	VERTICAL BURNER	01/02/1999-
003	030	35E0010	FLUE FRONT PLATE	01/02/1999-
003	031	35E0020	REAR FLUE	01/02/1999-
003	032	3111500	COCK HANDLE	15/03/2007-
003	033	3001740	EL. BOX COVER	13/11/2003-
003	034	3104520	LID + HANDLE	13/04/2007-
003	035	35P0360	GAS VALVE PROTECTION	01/02/1999-
003	036	35P0160	HEAT SHIELD	01/02/1999-
003	037	3001750	EL. BOX	13/11/2003-
003	038	35R3540	PILOT BURNER SUPPORT	01/02/1999-
003	039	35R3220	BURNER SUPPORT	01/02/1999-
003	040	35X4040	BURNER PIPE	01/02/1999-
003	041	35X4050	PILOT LIGHT PIPE	01/02/1999-
003	042	36A2340	BASKET 370X150X120	01/02/1999-
003	043	36A2320	BOTTOM PLATE	01/02/1999-
003	044	36Q0050	BICONE NUT Ø 12	01/02/1999-
003	045	36Q0740	PLUG	01/02/1999-
003	046	36Q1110	LOCK NUT 3/8"	01/02/1999-
003	047	37Q3270	SWITCH COVER	01/02/1999-
003	048	3AQ0031	BURNER HOUSING	19/05/2003-
003	049	3212440	DRAIN PIPE	26/07/2012-
003	050	36Q0710	BICONE SCREW Ø 12	01/02/1999-
003	051	36Q0030	BICONE Ø12X8	01/02/1999-
003	052	33A0460	"GAS THERMOST. NOVASIT 820 1/2""	01/02/1999-
003	054	3195600	CONNECTOR+CABLE+GASKET+SCREW	24/06/2011-
003	055	3227400	HANDLE EXTENSION	31/07/2012-
003	056	32Z2241	2 FLAMES BURNER	01/02/1999-
003	057	33A0690	PILOT BURNER BODY Ø0,40	02/09/2000-