

Зип Общепит

vsezip.ru

+7(812)987-08-81



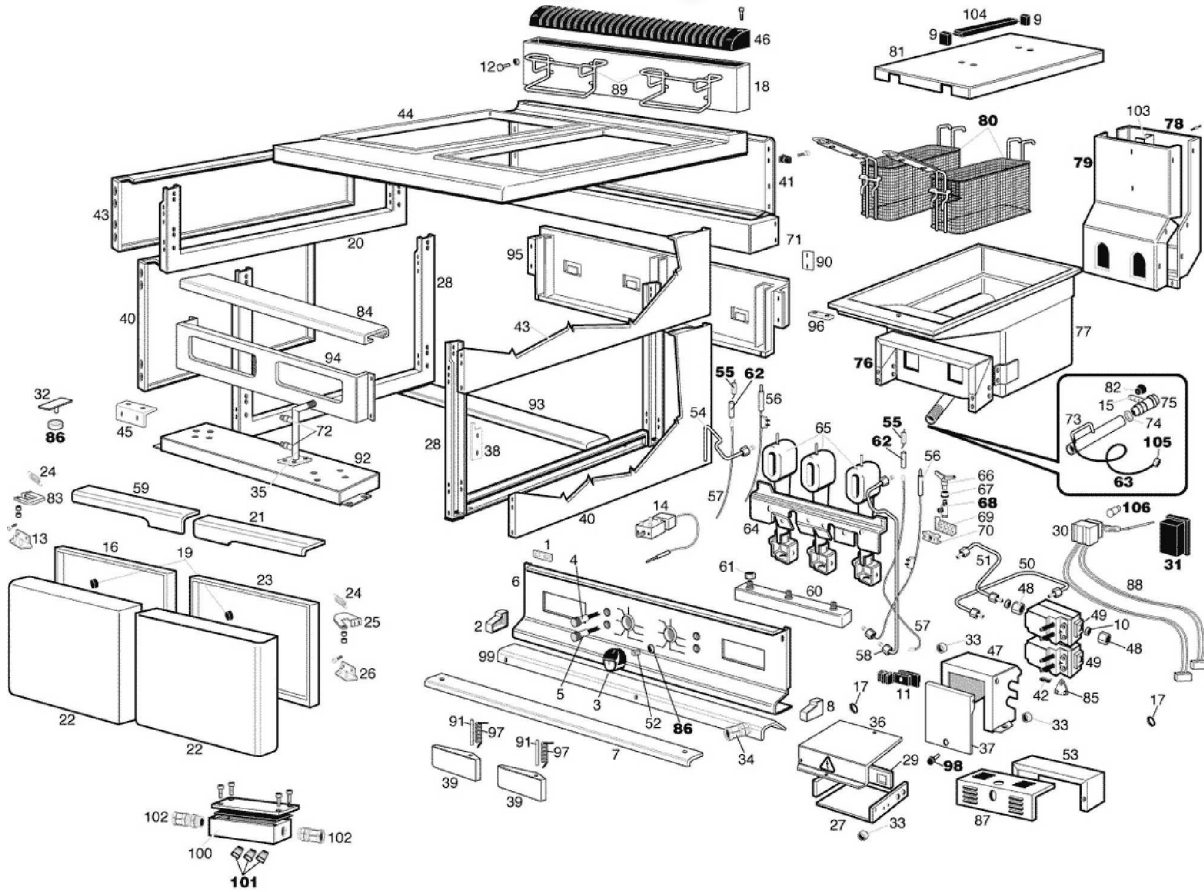
**91F223B**

**Edition 20120726-**

Зип Общепит

vsezip.ru

+7(812)987-08-81



Pos	Code	Description	Info
001	35T9650	FLAT BRACKET	01/12/1995-
002	36D3430	LH END SIDE	01/12/1995-
003	36M4560	ELECTRIC CONTROL KNOB	01/12/1995-
004	3106710	GREEN LIGHT 230V	23/05/2007-
005	3106730	ORANGE LIGHT 230V	23/05/2007-
006	35B7761	UPPER CONTROL	01/12/1995-
007	35S5590	BOARD BRACKET	01/12/1995-
008	36D3420	RH END SIDE	01/12/1995-
009	36M2910	TERMINAL	01/12/1995-
010	36Q0030	BICONE Ø12X8	01/12/1995-
011	32D0380	TERMINAL BOARD	01/12/1995-
012	36G2980	PIN	01/12/1995-
013	36M2490	LH LOWER HINGE	01/12/1995-
014	6300738	THERMOSTAT REPLACING KIT	29/09/2009-
015	3111500	COCK HANDLE	15/03/2007-
016	3AG0220	LH INNER DOOR FRAME ASS. Y	01/12/1995-
017	32X0130	GROMMET Ø29-Ø37	01/12/1995-
018	30D1182	EXT FLUE ASS. Y	01/12/1995-
019	36D6860	FOOT	01/12/1995-
020	30T1780	SIDE FRAME ASS. Y	01/12/1995-
021	35S0660	DOOR HANDLE	01/12/1995-
022	35G6570	DOOR	01/12/1995-
023	3AG0210	RH INNER DOOR FRAME ASS. Y	01/12/1995-
024	36G5240	SPRING	01/12/1995-
025	36M2541	RH UPPER HINGE	01/12/1995-
026	36M2500	RH LOWER HINGE ASS. Y	01/12/1995-
027	35Q7930	RH EL. BOX	01/12/1995-
028	30T5790	LOWER SIDE FRAME ASS. Y	01/12/1995-
029	35Q7940	LH EL. BOX	01/12/1995-
030	32Z5612	SAFETY THERMOSTAT	04/12/2008-
031	32T0210	SPARK IGNITION DEVICE	20/03/2001-
032	3AT0830	PLATE	01/12/1995-
033	36G3680	BUSHING Ø 8	01/12/1995-
034	32D0770	FAIRLEAD 8/10-17/20	01/12/1995-
035	30Z7890	INLET GAS PIPE	01/12/1995-
036	35G7200	EL. BOX COVER	01/12/1995-
037	35G7210	VALVE PROTECTION LID	01/12/1995-
038	35Q4630	CONT. BOARD PROTECT.	01/12/1995-
039	35G4260	SLOT COVER	01/12/1995-
040	35B9970	SIDE PANEL	01/12/1995-
041	35B9090	REAR PANEL	01/12/1995-
042	36G3690	SPRING	01/12/1995-
043	35B9110	SIDE PANEL	01/12/1995-
044	30M0880	TOP ASS. Y	01/12/1995-
045	35S3380	"L" BRACKET	01/12/1995-
046	35Q7400	FLUE GUARD	01/12/1995-
047	35Q7950	GAS VALVE PROTECTION	01/12/1995-
048	33Q2571	"REDUCTION MF 3/8""-1/2"""	22/07/2004-
049	33A0590	"GAS VALVE 1/2"""	01/12/1995-
050	35X1840	BURNER PIPE	01/12/1995-
051	35X1850	BURNER PIPE	01/12/1995-

Pos	Code	Description	Info
052	3170290	KNOB SPRING	01/12/1995-
053	35Q2410	THERMOSTAT	01/12/1995-
054	35X1820	PROTECTION PILOT LIGHT PIPE	01/12/1995-
055	32T0010	IGNITION PLUG	01/12/1995-
056	6021770	INTERRUPTED THERMOC.	01/06/2001-
057	32A0390	M9X1X1000 CAB CABLE "HF" 1200MM	01/12/1995-
058	35X1810	PILOT LIGHT PIPE	01/12/1995-
059	35S0670	DOOR HANDLE	01/12/1995-
060	30Z7561	GAS MANIFOLD ASSEMBLY	01/12/1997-
061	36Q1110	LOCK NUT 3/8"	01/12/1995-
062	131AA46	HOSE 8'X40	01/12/1995-
063	3100200	CABLE Ø 1.2	01/12/1995-
064	35S5550	BURNER SUPPORT	01/12/1995-
065	34A1670	VERTICAL BURNER	01/12/1995-
066	32Z2241	2 FLAMES BURNER	01/12/1995-
067	33A0970	RING NUT	01/12/1995-
068	33A2900	PILOT BURNER BODY	01/12/1995-
069	35S5080	SUPPORT	01/12/1995-
070	33A0950	REAR BRACKET	01/12/1995-
071	35U6970	REAR CROSS MEMBER	01/12/1995-
072	36Q0710	BICONE SCREW Ø 12	01/12/1995-
073	3212440	DRAIN PIPE	26/07/2012-
074	3151080	"O" RING Ø 29.80	01/12/1995-
075	6024400	ASSEMBLY COCK	15/03/2007-
076	3AQ0091	BURNER HOUSING ASS. Y	01/12/1995-
077	30W3121	WELL GAS ASS. Y	25/11/2003-
078	35D4781	FLUE REAR PLATE	01/12/1995-
079	35D4771	FLUE FRONT PLATE	01/12/1995-
080	36A3491	BASKET 380X150X120	01/12/1995-
081	35G6990	WELL LID	01/12/1995-
082	36M5430	HANDLE	01/12/1995-
083	36M2531	LH UPPER HINGE	01/12/1995-
084	35S9390	UPRIGHT CROSS MEMBER	01/12/1995-
085	33A0020	COMPL. VALVE	01/12/1995-
086	3150790	THERMOSTAT PROTECT.	01/12/1995-
087	35Q2460	PROTECTION LIGHT	01/12/1995-
088	32A0780	CABLE	01/12/1995-
089	36A3500	BASKET SUPPORT	01/12/1995-
090	35S9510	PLATE	01/12/1995-
091	36G5150	PIN	01/12/1995-
092	35V3030	LOWER CROSS MEMBER	01/12/1995-
093	35V1160	LOWER CROSS MEMBER	01/12/1995-
094	35V1170	UPPER CROSS MEMBER	01/12/1995-
095	35V1180	SUPPORT FRAME	01/12/1995-
096	36D3760	WELL BRACKET	01/12/1995-
097	36G5180	SPRING	01/12/1995-
098	36M2121	HANDLE	01/12/1995-
099	35Q6570	HEAT SHIELD	01/12/1995-
100	3201750	DERIVATION BOX	01/12/1995-
101	32D1450	TERMINAL	31/01/2003-
102	32D0930	FAIRLEAD Ø 8-14	01/12/1995-

Pos	Code	Description	Info
103	35U4610	"U" BRACKET	01/12/1995-
104	36M2471	HANDLE	01/12/1995-
105	3100210	TERMINAL BOARD	01/12/1995-
106	37Q3270	SWITCH COVER	01/12/1995-
107	32Q3531	EL. CABLES	20/03/2001-