

Зип Общепит

vsezip.ru

+7(812)987-08-81



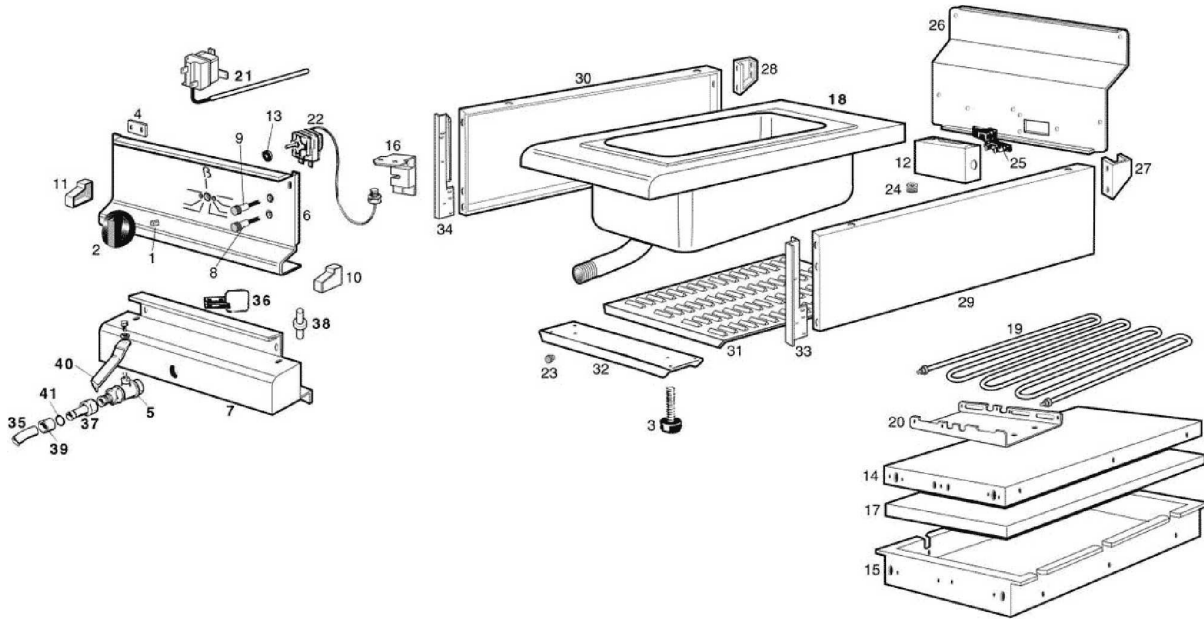
**030EВМ**

**Edition 20070523-**

Зип Общепит

vsezip.ru

+7(812)987-08-81



Pos	Code	Description	Info
001	3170290	KNOB SPRING	01/09/1996-
002	36M2400	ELECTRIC CONTROL KNOB	01/09/1996-
003	36D2970	ADJUSTABLE FOOT	01/09/1996-
004	35T9650	FLAT BRACKET	01/09/1996-
005	33D0170	COCK FF 3/4"	01/09/1996-
006	35C0840	UPPER CONTROL BOARD	01/09/1996-
007	35C4790	FRONT PANEL	01/09/1996-
008	3106730	ORANGE LIGHT 230V	23/05/2007-
009	3106710	GREEN LIGHT 230V	23/05/2007-
010	36D3420	RH END SIDE	01/09/1996-
011	36D3430	LH END SIDE	01/09/1996-
012	35Q5400	TERM. BOARD PROTECTION	01/09/1996-
013	3150790	THERMOSTAT PROTECT.	01/09/1996-
014	35D5820	ROCKWOOL HOLDER	01/09/1996-
015	35W0200	HEATING ELEMENT BOX	01/09/1996-
016	35G4290	COVER	01/09/1996-
017	37Q0460	INSULATING PANEL	01/09/1996-
018	30M3521	TOP WELL ASS. Y	01/09/1996-
019	32G0280	HEATING ELEMENT	01/09/1996-
020	35V6880	SUPPORT "U"	01/09/1996-
021	32Z2371	HEATING EL. THERMOSTAT 330° C	01/09/1996-
022	32Z0410	THERMOSTAT	01/09/1996-
023	32X0190	CABLE SUPPORT	01/09/1996-
024	32X0140	GROMMET Ø13,5-Ø25	01/09/1996-
025	32D0380	TERMINAL BOARD	01/09/1996-
026	35C2530	REAR PANEL	01/09/1996-
027	35Q8300	RIGHT HAND PANEL	01/09/1996-
028	35Q8290	LEFT HAND PANEL	01/09/1996-
029	35C0830	RH PANEL	01/09/1996-
030	35C0820	LH PANEL	01/09/1996-
031	35D4460	BOTTOM PLATE	01/09/1996-
032	30T2531	FOOT HOUSING ASS. Y	01/09/1996-
033	35V6980	SPLASH GUARD	01/09/1996-
034	35V6640	SPLASH GUARD	01/09/1996-
035	33Q5020	DRAIN PIPE 45° FF Ø	01/09/1996-
036	35D4860	22 PROTECTION	01/09/1996-
037	36C2050	DRAIN CONNECTION	01/09/1996-
038	36C2060	CONTROL BOARD PIN	01/09/1996-
039	36D4080	DRAIN HOLE COVER	01/09/1996-
040	36M1900	COCK HANDLE	01/09/1996-
041	3150840	"O" RING Ø 18.77	01/09/1996-
042	32Q0710	EL. CABLES 030EBM	01/09/1996-