

Зип Общепит

vsezip.ru

+7(812)987-08-81



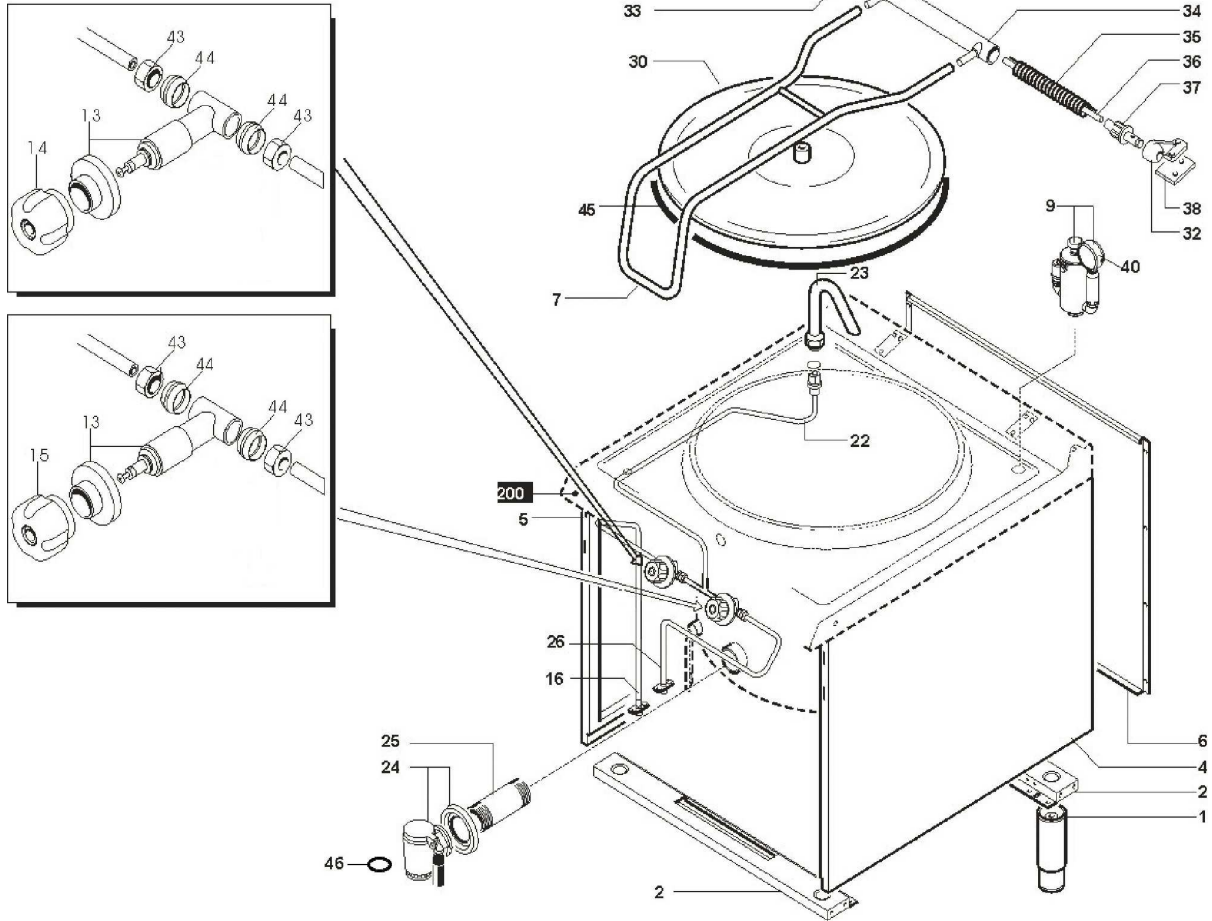
1A1PI2V

Edition 20120329-

Зип Общепит

vsezip.ru

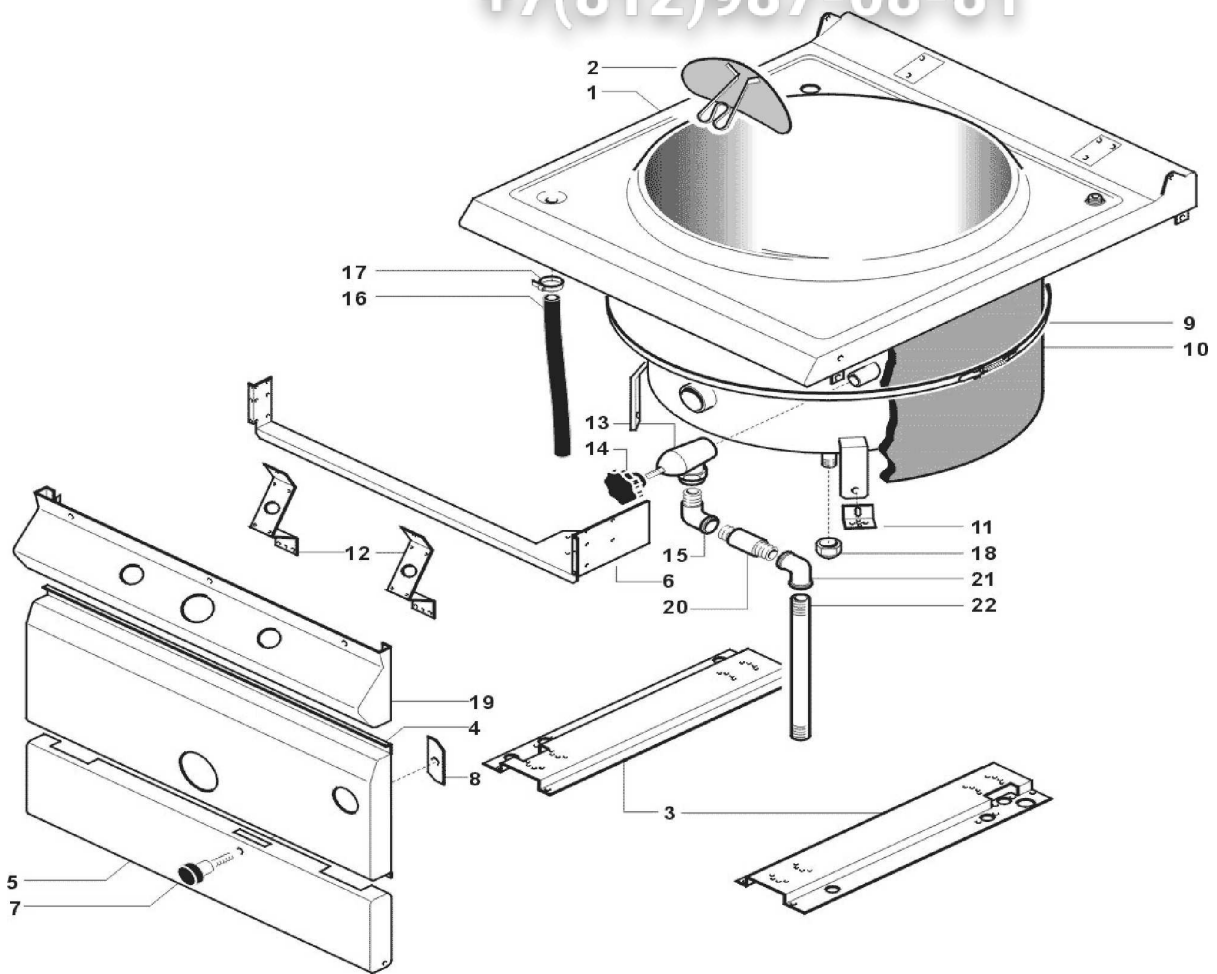
+7(812)987-08-81



Зип Общепит

vsezip.ru

+7(812)987-08-81



| Page | Pos | Code | Description | Info |
|------|-----|---------|----------------------------------|-------------|
| 002 | 001 | 36C2970 | STAINLESS STEEL FOOT | 01/02/1999- |
| 002 | 002 | 35R0220 | OMEGA FRAME | 01/02/1999- |
| 002 | 004 | 30A4900 | RH PANEL | 11/03/2002- |
| 002 | 005 | 30A4890 | LH PANEL | 11/03/2002- |
| 002 | 006 | 35A1662 | REAR PANEL | 11/03/2002- |
| 002 | 007 | 36G7720 | HANDLE | 01/02/1999- |
| 002 | 009 | 3006310 | "PRESS. RELEASE VALVE 3/4" 0,5B" | 31/01/2003- |
| 002 | 013 | 3162191 | COCK 3/8" | 18/12/2009- |
| 002 | 014 | 3162200 | RED RING KNOB | 28/01/2009- |
| 002 | 015 | 3162210 | BLUE RING KNOB | 28/01/2009- |
| 002 | 016 | 3003570 | WATER PIPE | 24/04/2003- |
| 002 | 020 | 36Q0030 | BICONE Ø12X8 | 01/02/1999- |
| 002 | 022 | 3003890 | WATER PIPE | 24/04/2003- |
| 002 | 023 | 3003430 | WATER SPOUT | 23/04/2003- |
| 002 | 023 | 3003430 | WATER SPOUT | 24/04/2003- |
| 002 | 024 | 33D2291 | "DRAIN COCK 2""" | 01/10/2008- |
| 002 | 025 | 35Z0600 | DRAIN PIPE | 01/02/1999- |
| 002 | 026 | 3003560 | WATER PIPE | 24/04/2003- |
| 002 | 029 | 33Q3900 | "TEE ""L"" 1/2 ""M/F""" | 01/02/1999- |
| 002 | 030 | 35H3580 | PAN LID + GASKET | 03/02/2003- |
| 002 | 032 | 36C2590 | RH HINGE SUPPORT | 01/02/1999- |
| 002 | 033 | 36C2600 | LH HINGE SUPPORT | 01/02/1999- |
| 002 | 034 | 36G6680 | LID HINGE | 01/02/1999- |
| 002 | 035 | 36G2640 | SPRING | 01/02/1999- |
| 002 | 036 | 36G2650 | HINGE SHAFT | 01/02/1999- |
| 002 | 037 | 36G2680 | SPRING PIN | 01/02/1999- |
| 002 | 038 | 35R0510 | FLAT BRACKET | 01/02/1999- |
| 002 | 039 | 3006360 | REDUCING MF 3/4"G- 1/2"G | 31/01/2003- |
| 002 | 040 | 32Z0060 | PRESSURE GAUGE 0-1 BAR | 31/01/2003- |
| 002 | 041 | 3188680 | METALLIC HOSE (M.U.=MT) | 13/12/2010- |
| 002 | 043 | 36Q0140 | BICONE NUT Ø 10 | 24/04/2003- |
| 002 | 044 | 36Q0080 | BICONE Ø 10X6.5 | 24/04/2003- |
| 002 | 045 | 137AA03 | LID GASKET | 03/02/2003- |
| 002 | 046 | 3152331 | "OR" GASKET FOR DRAIN COCK 2""" | 01/02/1999- |
| 002 | 200 | M000670 | PLANE P12V | 01/02/1999- |
| 003 | 001 | 30W1910 | PAN 150 LT. ASS. Y | 01/02/1999- |
| 003 | 002 | 30Q0450 | FILTER | 01/02/1999- |
| 003 | 003 | 35R0480 | OMEGA FRAME | 01/02/1999- |
| 003 | 004 | 35A6220 | UPPER FRONT PANEL | 01/02/1999- |
| 003 | 005 | 35A6160 | LOWER FRONT PANEL | 01/02/1999- |
| 003 | 006 | 35R3620 | SUPPORT | 01/02/1999- |
| 003 | 007 | 36M5690 | HANDLE | 01/02/1999- |
| 003 | 008 | 35T9780 | FLAT BRACKET | 01/02/1999- |
| 003 | 009 | 36E0780 | HOSE CLAMP | 01/02/1999- |
| 003 | 010 | 37Q4000 | INSULATING PANEL | 01/02/1999- |
| 003 | 011 | 35R0560 | "L" BRACKET | 01/02/1999- |
| 003 | 012 | 3003820 | COCK SUPPORT | 24/04/2003- |
| 003 | 013 | 33G0031 | STEAM COCK 1"1/4 | 01/02/1999- |
| 003 | 014 | 36M0960 | PRESS. VALVE KNOB | 01/02/1999- |
| 003 | 015 | 33Q1750 | ELBOW MF 1/4" | 01/02/1999- |
| 003 | 016 | 111AA06 | PIPE Ø 25 Ø 15 | 01/02/1999- |

| Page | Pos | Code | Description | Info |
|------|-----|---------|---------------------|-------------|
| 003 | 017 | 3140320 | PIPE CLAMP | 01/02/1999- |
| 003 | 018 | 36Q1680 | PLUG 1/4" | 01/02/1999- |
| 003 | 019 | 35A6212 | UPPER CONTROL BOARD | 31/01/2003- |
| 003 | 020 | 35Z1780 | STEAM MANIFOLD 1/4" | 01/02/1999- |
| 003 | 021 | 33Q1770 | ELBOW 1/4" | 01/02/1999- |
| 003 | 022 | 35Z1770 | STEAM MANIFOLD | 01/02/1999- |