

Зип Общепит

vsezip.ru

+7(812)987-08-81



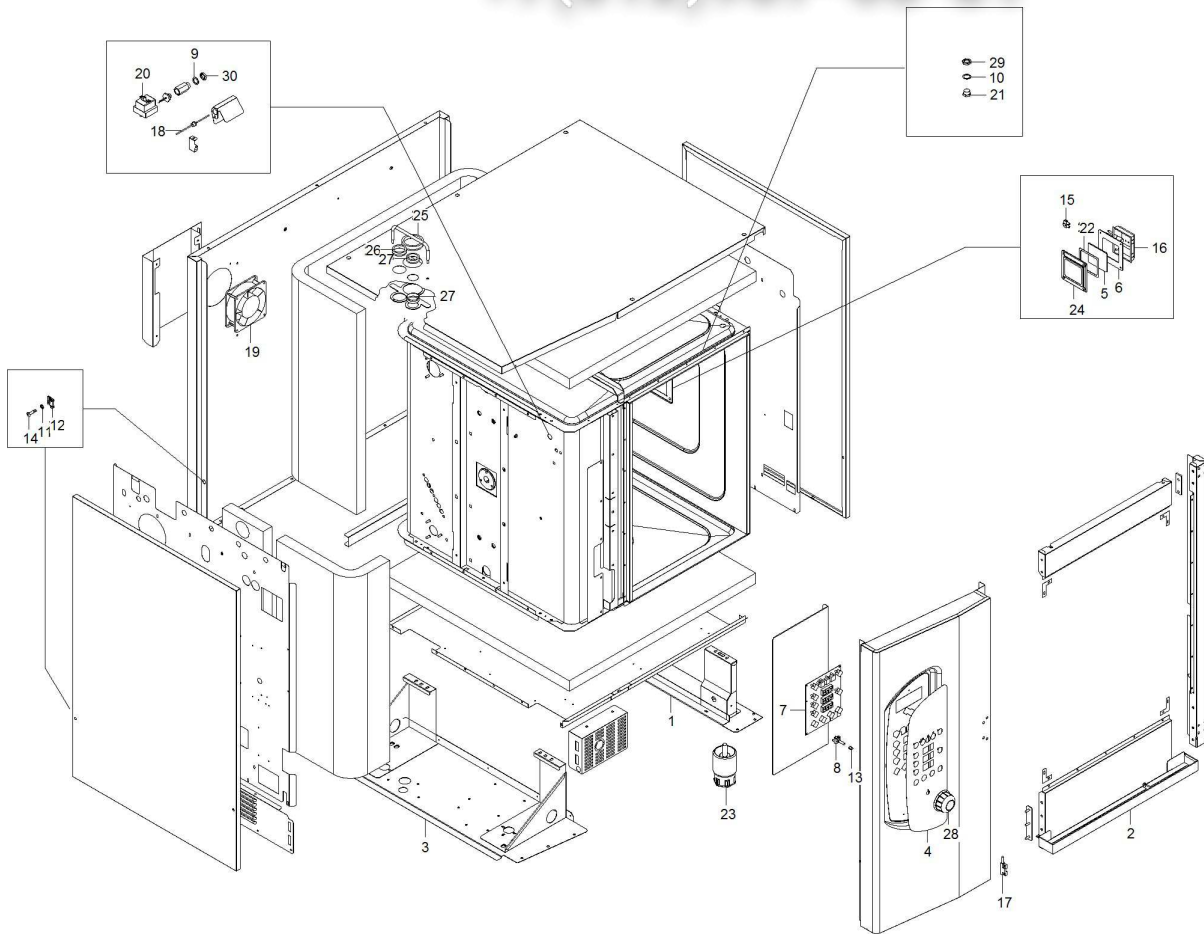
**FM1011E1-
VERS.2006**

Edition 20150213-

Зип Общепит

vsezip.ru

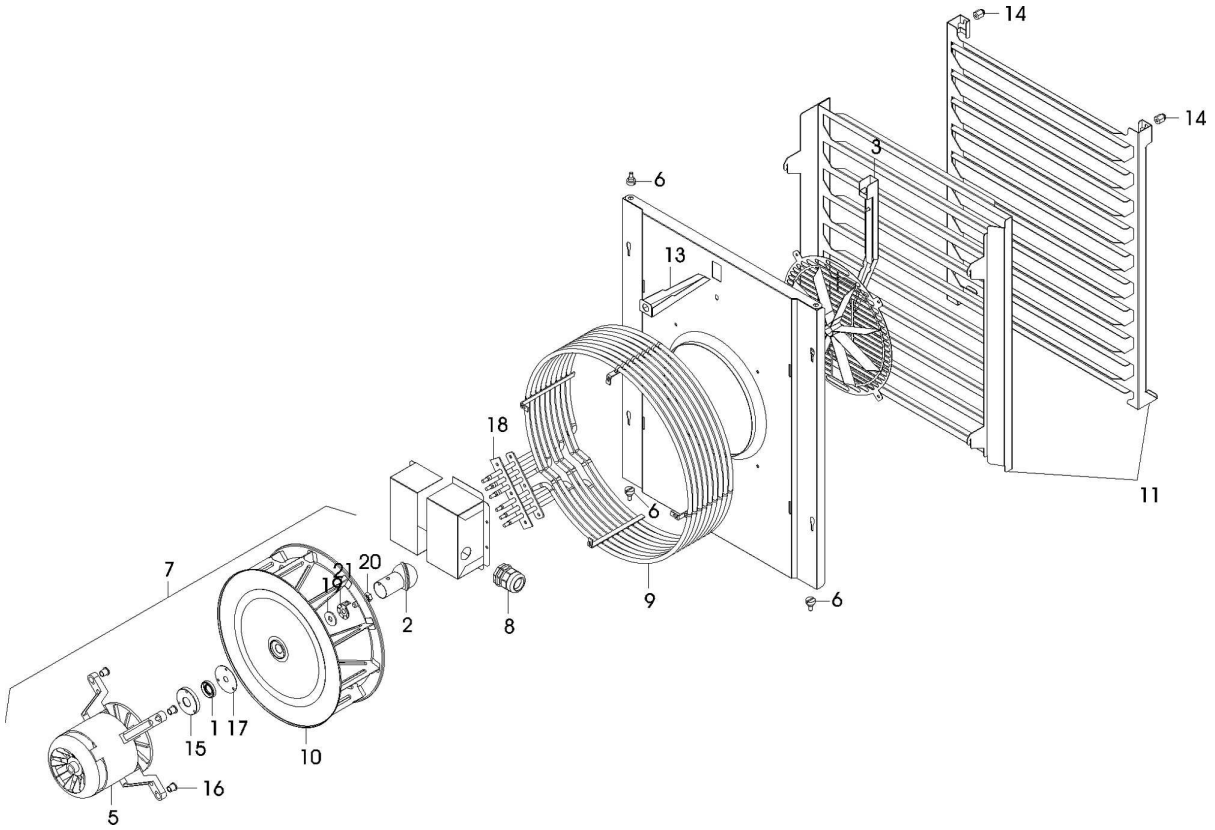
+7(812)987-08-81



Зип Общепит

vsezip.ru

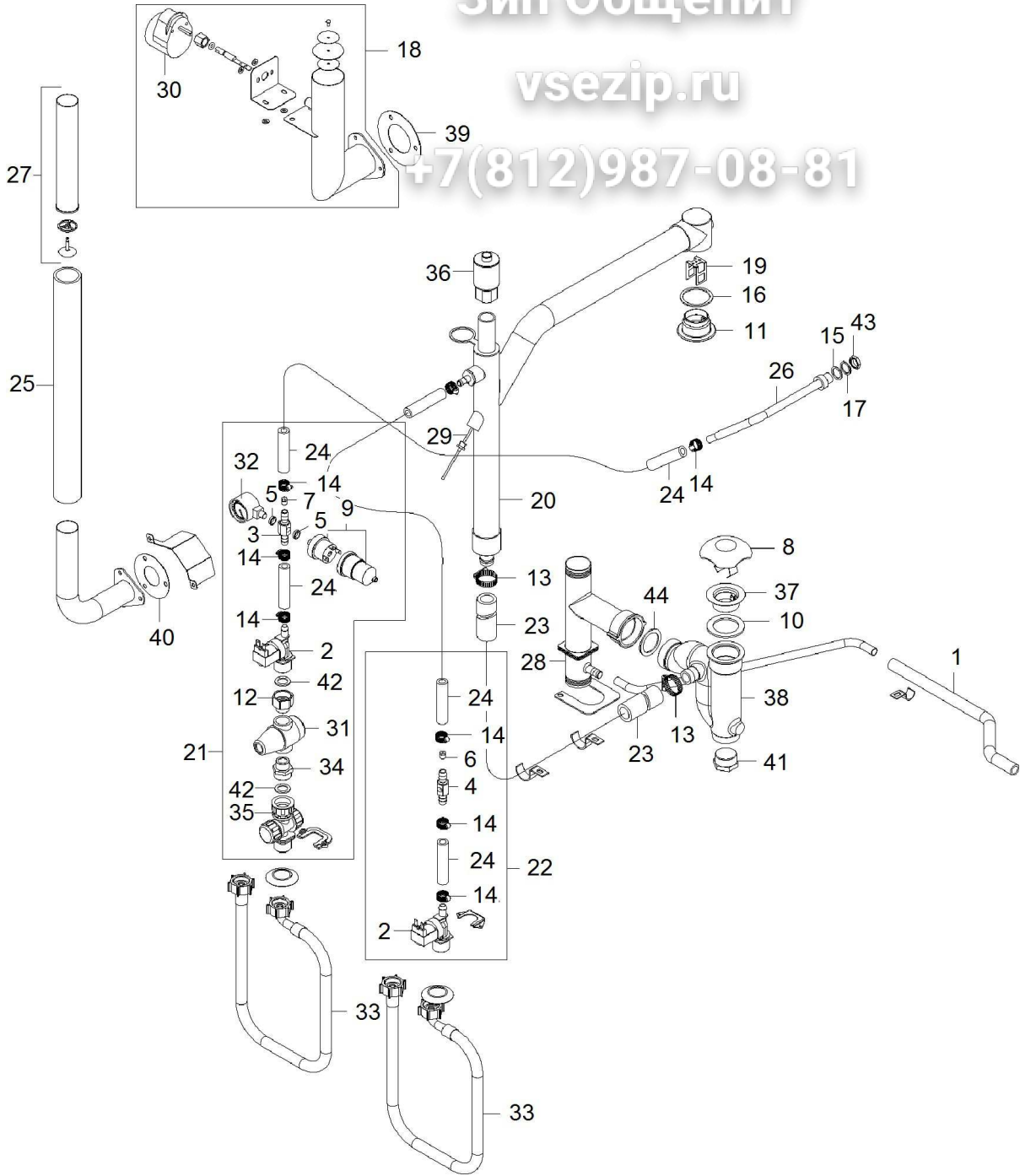
+7(812)987-08-81



Зип Общепит

vsezip.ru

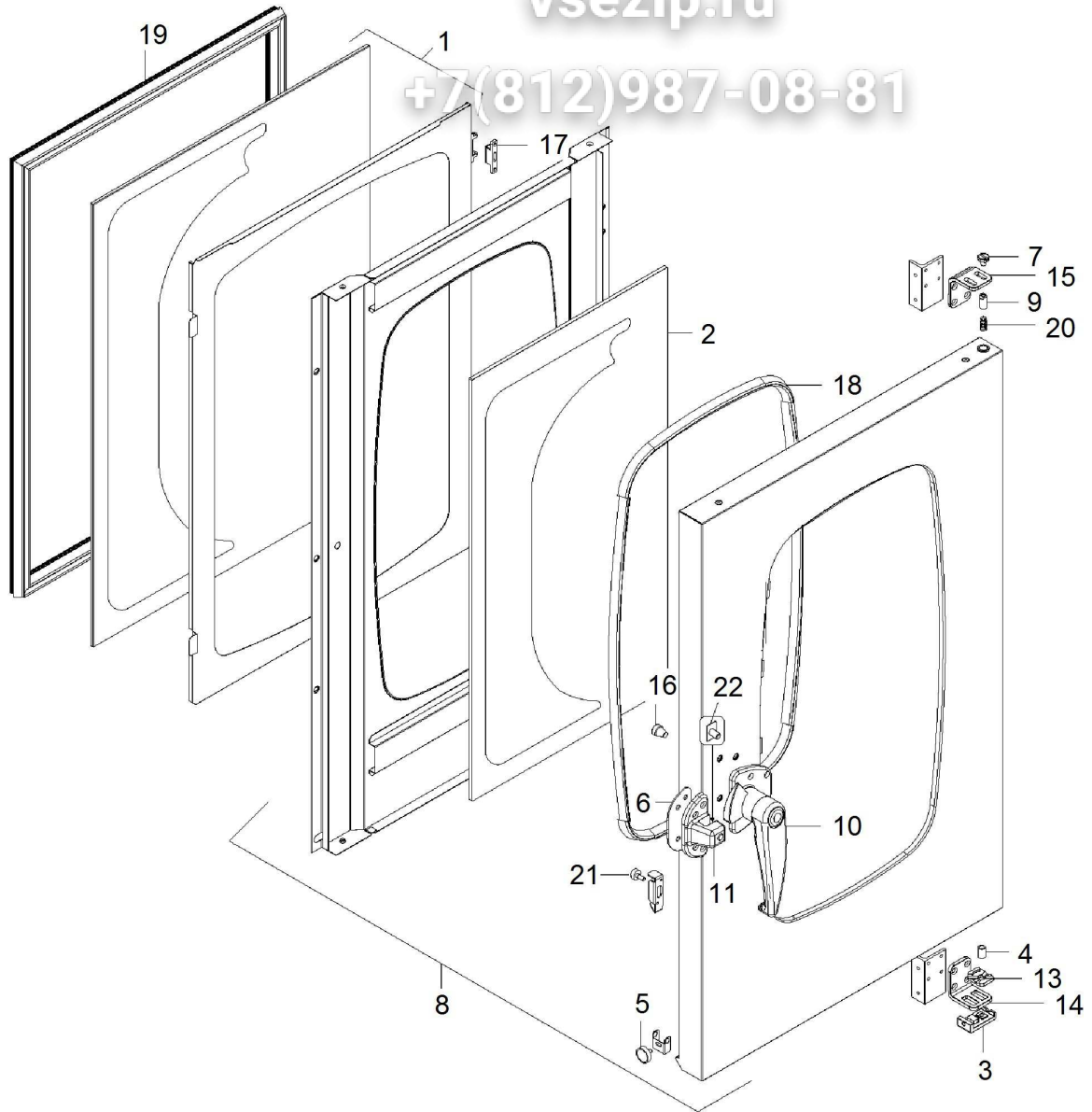
+7(812)987-08-81



Зип Общепит

vsezip.ru

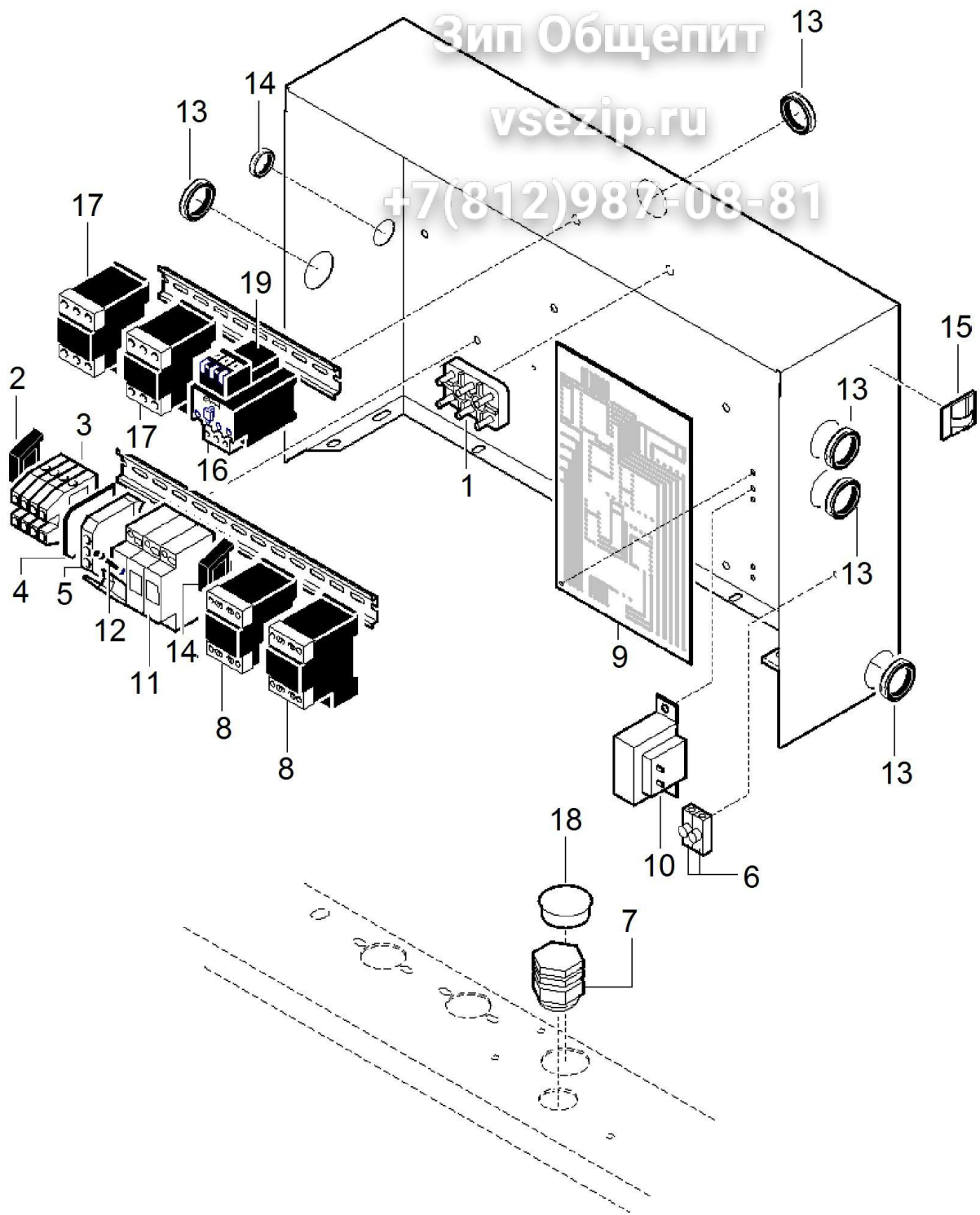
+7(812)987-08-81



Зип Общепит

vsezip.ru

+7(812)987-08-81



| Page | Pos | Code | Description | info |
|------|-----|---------|---|-------------|
| 002 | 001 | 3000531 | RH FOOT HOLDER | 01/01/2006- |
| 002 | 002 | 3076940 | TRAY ASS.Y | 13/07/2006- |
| 002 | 003 | 3031841 | LH FOOT HOLDER | 01/01/2006- |
| 002 | 004 | 3125011 | LEVEL 1-2 DASHBOARD | 09/05/2008- |
| 002 | 005 | 3036962 | GLASS | 07/03/2012- |
| 002 | 006 | 36E3170 | LAMP GASKET | 01/01/2006- |
| 002 | 007 | 3146492 | PCB | 02/03/2009- |
| 002 | 008 | 3051070 | ENCODER PIN ϕ 6-4.5 | 01/01/2006- |
| 002 | 009 | 3151441 | WASHER ϕ 22 ϕ 16.2=1.5 CU | 01/01/2006- |
| 002 | 010 | 3152360 | WASHER 3/8" 3/8" ϕ 22- ϕ 17.2=1.5 CU/NI | 01/01/2006- |
| 002 | 011 | 3188650 | WASHER | 23/11/2010- |
| 002 | 012 | 3170110 | ACCOMODATION ϕ 6 | 01/01/2006- |
| 002 | 013 | 3170290 | KNOB SPRING | 01/01/2006- |
| 002 | 014 | 31X0170 | PIN FT ϕ 6 | 01/01/2006- |
| 002 | 015 | 32D1450 | TERMINAL | 01/01/2006- |
| 002 | 016 | 32V5570 | LAMP, COMPLETE | 01/01/2006- |
| 002 | 017 | 32V5740 | MAGNETIC MICROSWITCH | 01/01/2006- |
| 002 | 018 | 32V5750 | THERMAL RESISTOR, PT1000 | 01/01/2006- |
| 002 | 019 | 32V5790 | FAN 20W 120mm | 21/02/2013- |
| 002 | 020 | 3111950 | SAFETY THERMOSTAT | 29/10/2008- |
| 002 | 021 | 33Q0530 | CAP M. 3/8 | 01/01/2006- |
| 002 | 023 | 36D5732 | FOOT | 13/03/2009- |
| 002 | 024 | 3278370 | LAMP GUARD | 14/01/2015- |
| 002 | 025 | 36E3550 | WASHER | 01/01/2006- |
| 002 | 026 | 36E3560 | WASHER | 01/01/2006- |
| 002 | 027 | 36E3790 | WASHER | 01/01/2006- |
| 002 | 028 | 36H0901 | ENCODER KNOB | 01/01/2006- |
| 002 | 029 | 36Q1110 | LOCK NUT 3/8" | 01/01/2006- |
| 002 | 030 | 36Q1171 | LOCKNUT M16X1.5 | 01/01/2006- |
| 003 | 001 | 3004400 | GASKET | 01/01/2006- |
| 003 | 002 | 3004791 | DIFFUSER | 01/01/2006- |
| 003 | 003 | 3009711 | END PIPE, COMPLETE | 01/01/2006- |
| 003 | 005 | 32M6722 | MOTOR LEVEL 1-2 | 01/01/2006- |
| 003 | 006 | 3084430 | SCREW TE M6 ϕ 16x23 | 04/12/2006- |
| 003 | 007 | 6018950 | MOTOR ASS.Y | 01/01/2006- |
| 003 | 008 | 32D1780 | FAIRLEAD | 01/01/2006- |
| 003 | 009 | 32G1701 | HEATING ELEMENT 16.4KW230V | 01/01/2006- |
| 003 | 010 | 32M6751 | FAN | 01/01/2006- |
| 003 | 011 | 6300829 | PAIR OF POLISHED TRAY HOLDERS | 01/01/2006- |
| 003 | 011 | 6300864 | PAIR OF TRAY HOLDERS | 01/01/2006- |
| 003 | 013 | 35Y0570 | WATER ENTRY PROFILE | 01/01/2006- |
| 003 | 014 | 3278380 | M6 TRAY HOLDER PIN | 11/02/2015- |
| 003 | 015 | 36E3160 | RING GASKET SUPPORT | 01/01/2006- |
| 003 | 016 | 36H0890 | BUSHING | 01/01/2006- |
| 003 | 017 | 37Q0250 | GASKET | 01/01/2006- |
| 003 | 018 | 37Q3220 | GASKET | 01/01/2006- |
| 003 | 019 | 3014810 | WASHER ϕ 30 ϕ 10.5=2.5 | 01/01/2006- |
| 003 | 020 | 3016470 | SCREW M10X35 | 01/01/2006- |
| 003 | 021 | 3019001 | WASHER | 01/01/2006- |
| 004 | 001 | 3016270 | MESH-REINFORCED PVC HOSE ϕ 12 | 01/01/2006- |
| 004 | 002 | 3032680 | "SOLENOID VALVE 3/4"" 1IN-1OUT" | 01/01/2006- |

| Page | Pos | Code | Description | info |
|------|-----|---------|--------------------------------------|-------------|
| 004 | 003 | 3032880 | CONNECTOR | 01/01/2006- |
| 004 | 004 | 3032890 | CONNECTOR | 01/01/2006- |
| 004 | 005 | 3032900 | SPACER | 01/01/2006- |
| 004 | 006 | 3032920 | JET Ø 1.85 | 01/01/2006- |
| 004 | 007 | 3032940 | JET | 01/01/2006- |
| 004 | 008 | 3278360 | FILTER | 13/02/2015- |
| 004 | 009 | 3041830 | PRESSURESTAT | 01/01/2006- |
| 004 | 010 | 3045960 | GASKET | 01/01/2006- |
| 004 | 011 | 3051330 | VALVE CONNECTOR | 01/01/2006- |
| 004 | 012 | 3051370 | SLEEVE F3/4 M1/2 | 01/01/2006- |
| 004 | 013 | 3140220 | PIPE CLAMP | 01/01/2006- |
| 004 | 014 | 3140230 | 12/20 PIPE CLAMP | 01/01/2006- |
| 004 | 015 | 3151441 | WASHER Ø22Ø16.2=1.5 CU | 01/01/2006- |
| 004 | 016 | 3151450 | WASHER | 01/01/2006- |
| 004 | 017 | 3152360 | WASHER 3/8" 3/8" Ø22-Ø17.2=1.5 CU/NI | 01/01/2006- |
| 004 | 018 | 6002600 | BUTTERFLY VALVE UNIT | 01/01/2006- |
| 004 | 019 | 6002930 | COUNTERWEIGHT, SINGLE | 01/01/2006- |
| 004 | 020 | 6014591 | CONDENSATION DRAIN UNIT | 15/09/2009- |
| 004 | 021 | 6019290 | WATER INTAKE UNIT | 01/01/2006- |
| 004 | 022 | 6020080 | WATER INTAKE UNIT | 01/01/2006- |
| 004 | 023 | 111AA05 | RUBBER HOSE Ø30 Ø20 | 01/01/2006- |
| 004 | 024 | 131AA12 | RUBBER HOSEØ17Ø10 X H ² O | 01/01/2006- |
| 004 | 025 | 131AA29 | RUBBER HOSE | 01/01/2006- |
| 004 | 026 | 3022050 | PIPE AISI304 Ø12- 159X77 | 01/01/2006- |
| 004 | 027 | 6002920 | EXTRACTION UNIT | 01/01/2006- |
| 004 | 028 | 3023011 | WASTE PIPE | 01/01/2006- |
| 004 | 029 | 32V5760 | THERMAL RESISTOR, PT1000 | 01/01/2006- |
| 004 | 030 | 32V5780 | CYCLE PROGRAMMER | 01/01/2006- |
| 004 | 031 | 33D1650 | "PRES. REDUC. VAL. F-F Ø 1/2"" | 01/01/2006- |
| 004 | 032 | 33D1680 | MANOMETRE 0-40BAR M1/8 | 01/01/2006- |
| 004 | 033 | 33M0350 | PIPE | 01/01/2006- |
| 004 | 034 | 33Q2500 | NIPPLE 1/2"-3/4" | 01/01/2006- |
| 004 | 035 | 33Q4860 | H2O FILTER | 01/01/2006- |
| 004 | 036 | 33Q5980 | SOUND REDUC. CONNECTOR | 01/01/2006- |
| 004 | 037 | 36A3401 | | 04/12/2013- |
| 004 | 038 | 36A5020 | DRAIN TRAP | 01/01/2006- |
| 004 | 039 | 36E2990 | BUTTERFLY VALVE GASKET | 01/01/2006- |
| 004 | 040 | 36E3010 | EXTRACTION GASKET | 01/01/2006- |
| 004 | 041 | 36E3040 | "M""1"" PLUG" | 01/01/2006- |
| 004 | 042 | 37Q2840 | GASKET | 01/01/2006- |
| 004 | 043 | 36Q1171 | LOCKNUT M16X1.5 | 01/01/2006- |
| 004 | 044 | 36E3320 | SIPHON GASKET | 01/01/2006- |
| 005 | 001 | 6023090 | INSIDE MOVING GLASS + FRAME FO | 01/01/2006- |
| 005 | 002 | 36E2630 | DOOR OUTSIDE GLASS | 01/01/2006- |
| 005 | 003 | 3003460 | HINGE BRACKET | 01/01/2006- |
| 005 | 004 | 3003470 | BOTTOM HINGE BUSHING | 01/01/2006- |
| 005 | 005 | 3008810 | MAGNET | 01/01/2006- |
| 005 | 006 | 3019510 | SPACER | 01/01/2006- |
| 005 | 007 | 3190020 | SCREW M6X10 | 01/01/2006- |
| 005 | 008 | 6300640 | OVEN DOOR ASS. Y | 06/12/2007- |
| 005 | 009 | 36D7062 | PIN | 01/01/2006- |

| Page | Pos | Code | Description | info |
|------|-----|---------|---------------------------------|-------------|
| 005 | 010 | 36E2570 | WEDGE LOCK | 01/01/2006- |
| 005 | 011 | 36E2581 | LOCK UNIT | 21/07/2009- |
| 005 | 013 | 36E2660 | BOTTOM DOOR SUPPORT | 01/01/2006- |
| 005 | 014 | 36E2670 | DOOR BOTTOM HINGE | 01/01/2006- |
| 005 | 015 | 36E2680 | DOOR TOP HINGE | 01/01/2006- |
| 005 | 016 | 36E2781 | DOOR GUARD | 07/09/2011- |
| 005 | 017 | 36E2820 | MALE HALF HINGE | 01/01/2006- |
| 005 | 018 | 36E2840 | EXTERNAL GLASS GASKET | 01/01/2006- |
| 005 | 019 | 36E3021 | FRONT GASKET | 01/01/2006- |
| 005 | 020 | 36G5320 | SPRING | 01/01/2006- |
| 005 | 021 | 36H0920 | FRAME PIN | 01/01/2006- |
| 005 | 022 | 6300843 | PLASTIC INSERT LOCK | 01/01/2006- |
| 006 | 001 | 32D0030 | TERMINAL BOARD | 01/01/2006- |
| 006 | 002 | 32D0870 | TERMINAL CLAMP | 01/01/2006- |
| 006 | 003 | 32D0950 | LIVE TERMINAL | 01/01/2006- |
| 006 | 004 | 32D0960 | TERMINAL END COVER | 01/01/2006- |
| 006 | 005 | 32D0970 | GROUND TERMINAL | 01/01/2006- |
| 006 | 006 | 32D1450 | TERMINAL | 01/01/2006- |
| 006 | 007 | 32D1780 | FAIRLEAD | 01/01/2006- |
| 006 | 008 | 3100940 | RELAY BF09 230V- 50/60Hz-25(9)A | 15/07/2007- |
| 006 | 009 | 32V5361 | PCB | 01/04/2007- |
| 006 | 010 | 32V5770 | TRANSFORMER | 01/01/2006- |
| 006 | 011 | 32V6200 | FUSE TERMINAL 10x38 | 01/01/2006- |
| 006 | 012 | 32V6210 | FUSE | 01/01/2006- |
| 006 | 013 | 32X0120 | GROMMETØ 21 | 01/01/2006- |
| 006 | 014 | 32X0130 | GROMMET Ø29-Ø37 | 01/01/2006- |
| 006 | 015 | 32X0380 | ADHESIVE PLATE | 01/01/2006- |
| 006 | 016 | 3101090 | RELAY | 15/07/2007- |
| 006 | 017 | 3100930 | 50/60Hz RELAY | 15/07/2007- |
| 006 | 018 | 36Q1940 | HOLE PLUG | 01/01/2006- |
| 006 | 019 | 3100950 | INDEP. ASSEMBLY SUPPORT | 15/07/2007- |