

Зип Общепит

vsezip.ru

+7(812)987-08-81



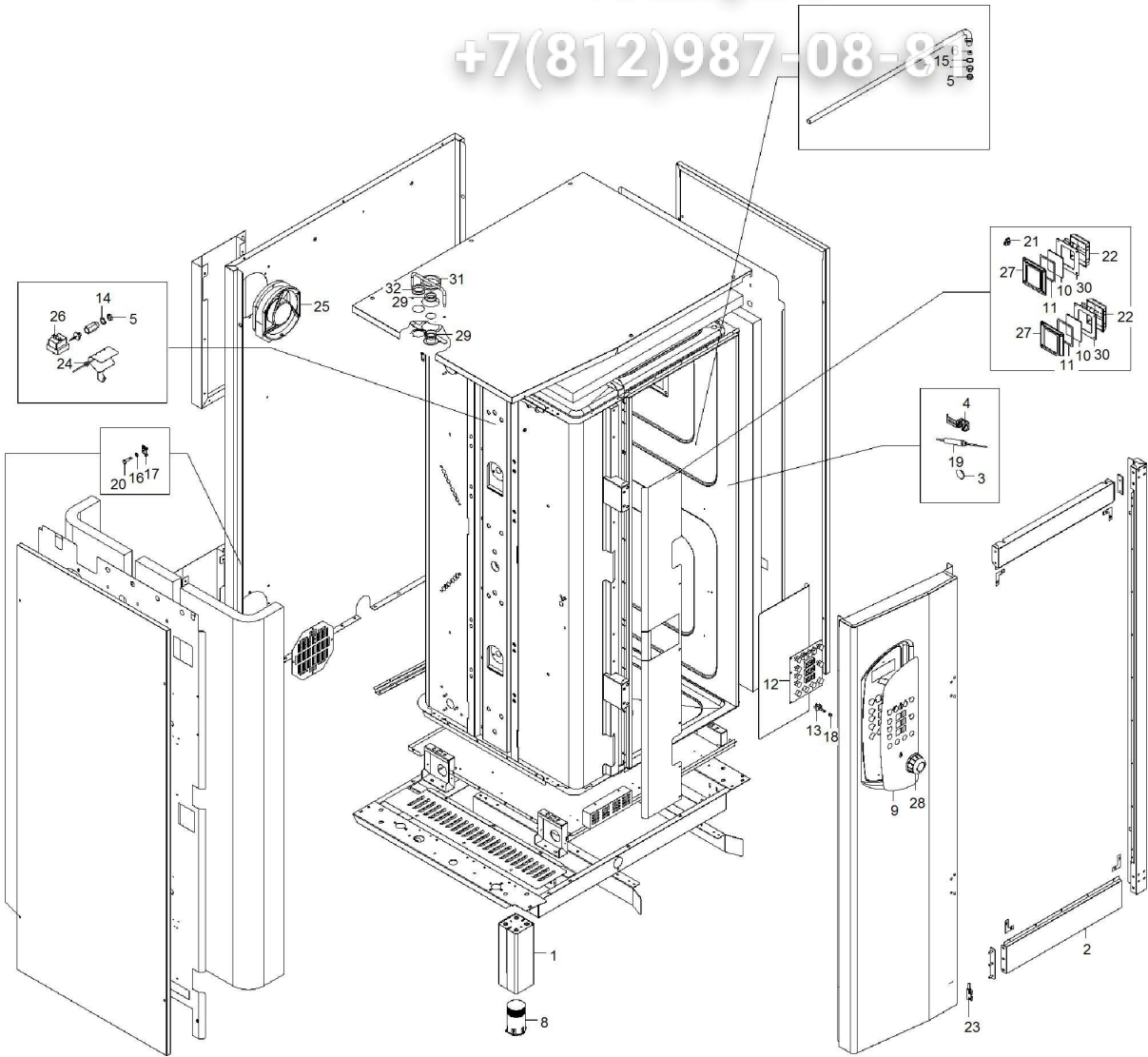
**FM2011E2-
VERS.2006**

Edition 20150213-

Зип Ощепит

vsezip.ru

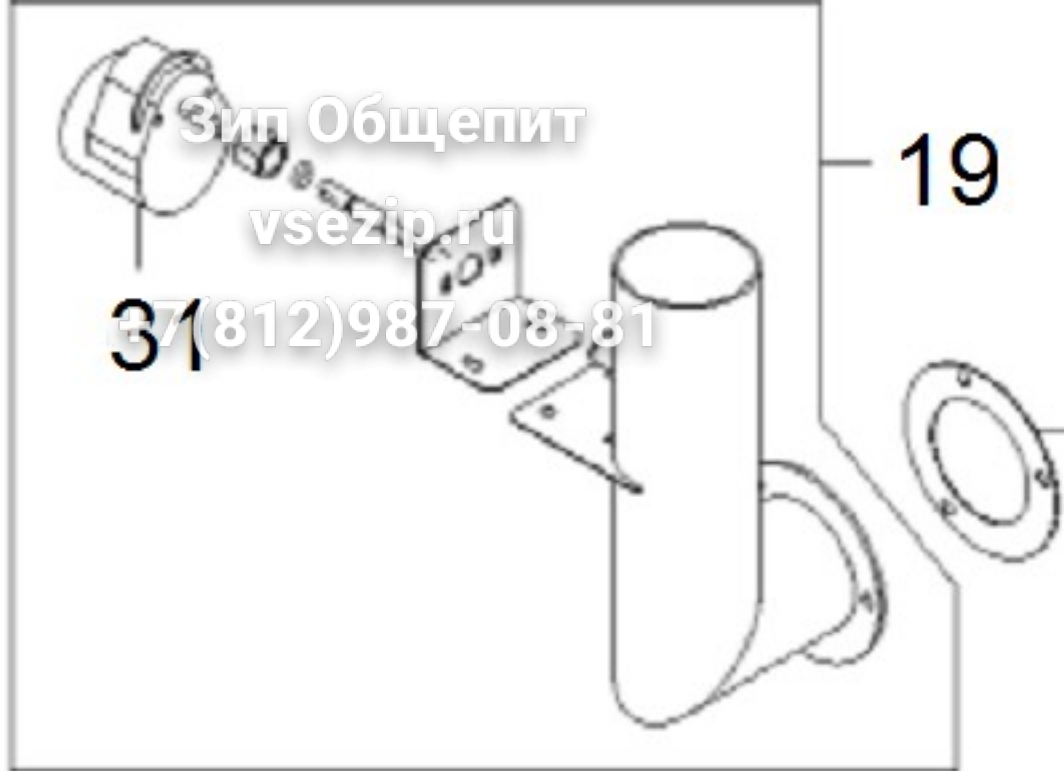
+7(812)987-08-8



28



26



19

31

Зип Общепит

vsezip.ru

37(812)987-08-81

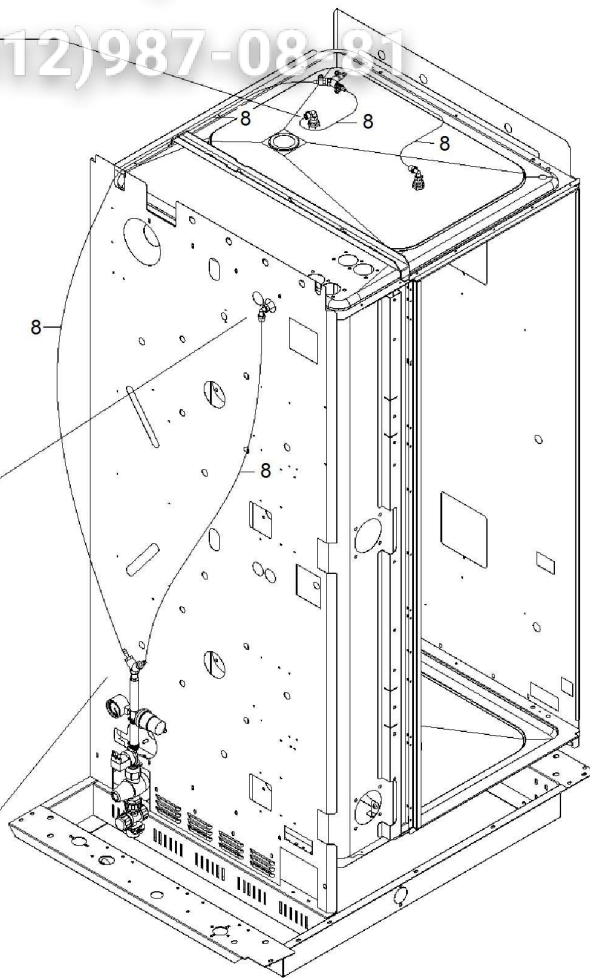
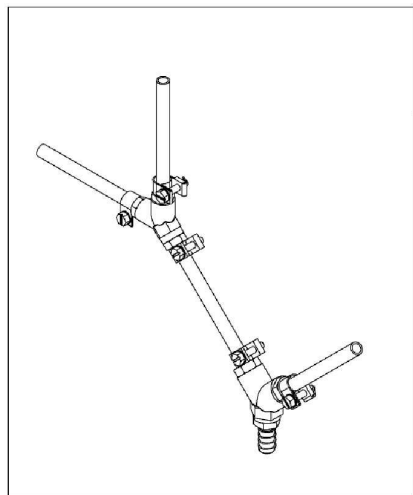
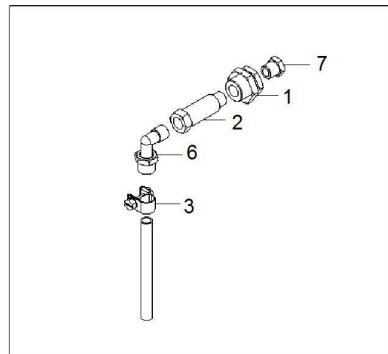
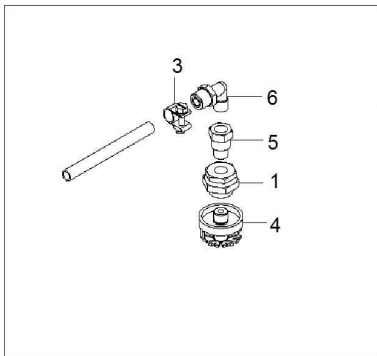
25



Зип Ощепит

vsezip.ru

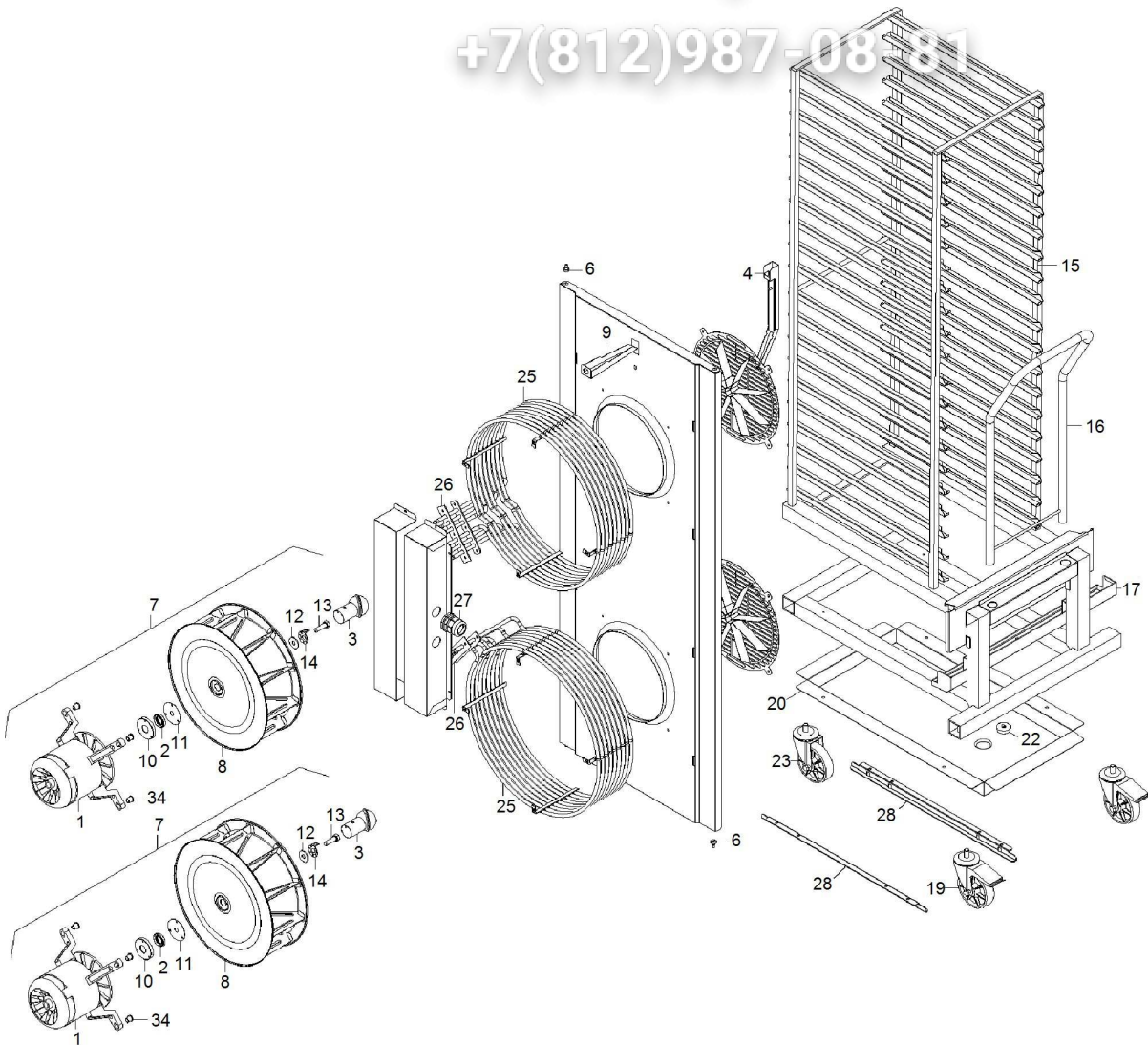
+7(812)987-08-81



Зип Ощепит

vsezip.ru

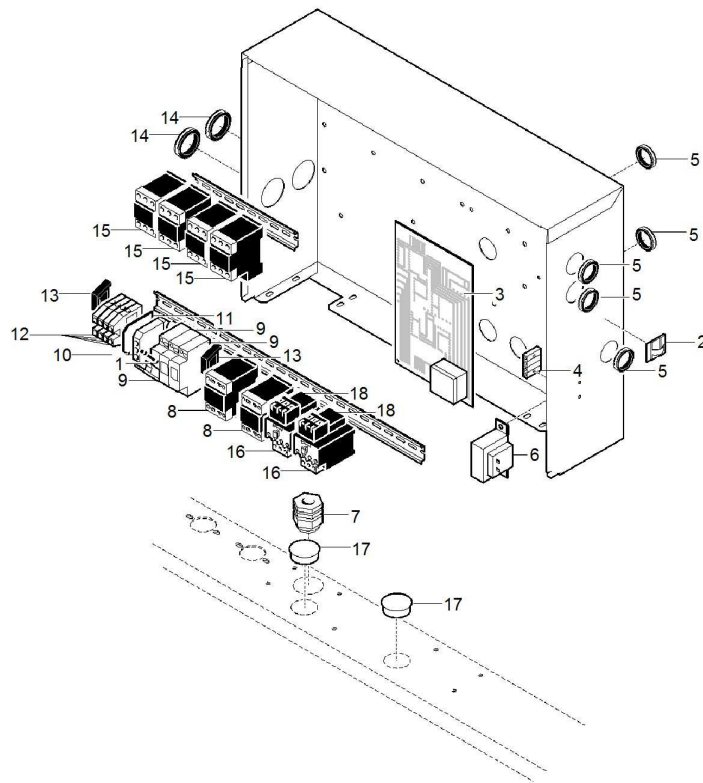
+7(812)987-08 81



Зип Общепит

vsezip.ru

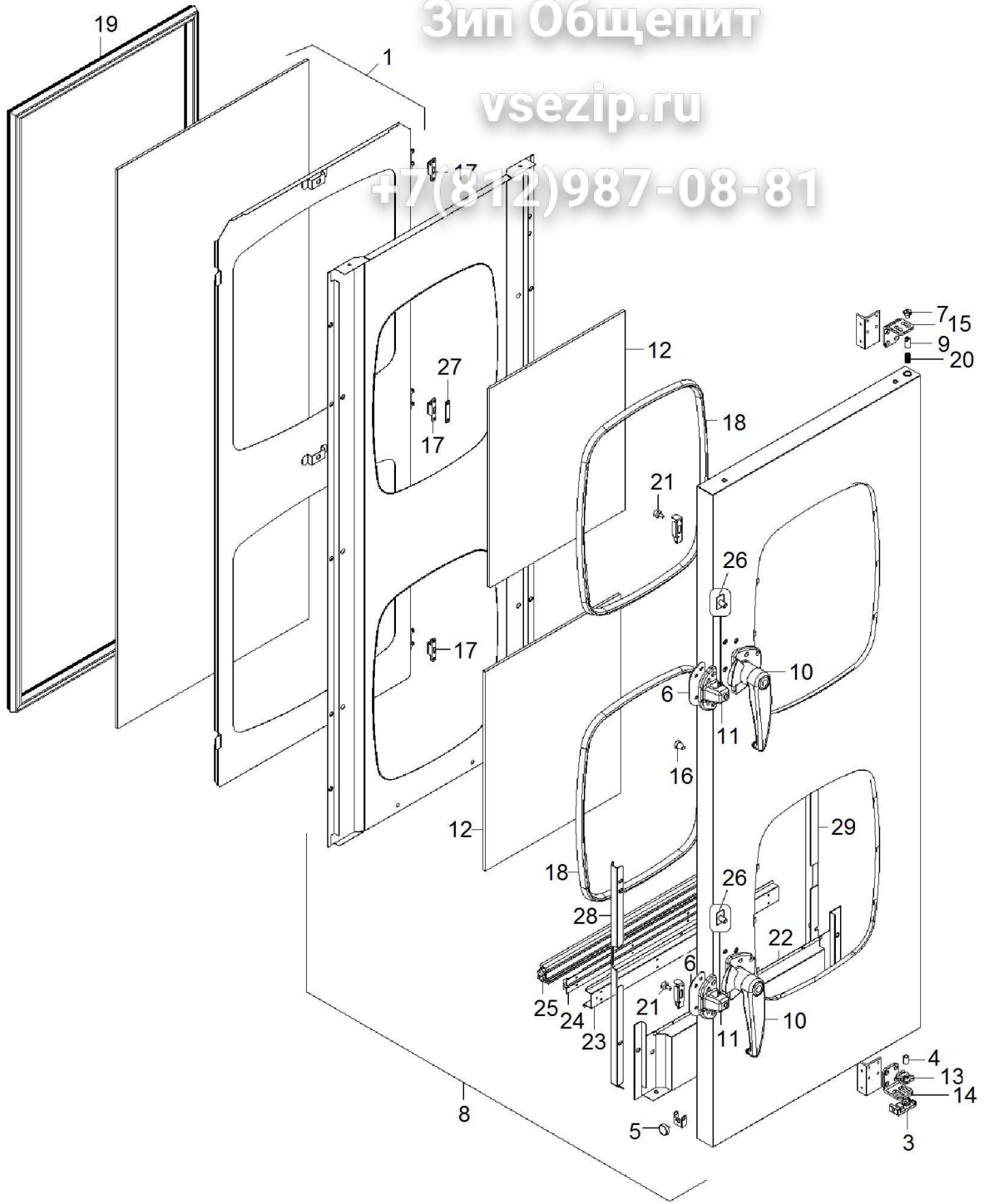
+7(812)987-08-81



Зип Общепит

vsezip.ru

+7(812)987-08-81



Page	Pos	Code	Description	Info
002	001	3050420	RISER	01/01/2006-
002	002	3037270	PLATE	01/01/2006-
002	003	3004870	PROBE WIRE RETAINER	01/01/2006-
002	004	3097910	SUPP. PROBE	13/11/2006-
002	005	36Q1171	LOCKNUT M16X1.5	01/01/2006-
002	006	3031100	GASKET	01/01/2006-
002	007	3031110	CONNECT.	01/01/2006-
002	008	36C3220	FOOT S/S ASSEMBLY	01/01/2006-
002	009	3125011	LEVEL 1-2 DASHBOARD	09/05/2008-
002	010	3036962	GLASS	07/08/2012-
002	012	3146492	PCB	02/03/2009-
002	013	3051070	ENCODER PIN ϕ 6-4.5	01/01/2006-
002	014	3151441	WASHER ϕ 22 ϕ 16.2=1.5 CU	01/01/2006-
002	015	3152360	WASHER 3/8" 3/8" ϕ 22- ϕ 17.2=1.5 CU/NI	01/01/2006-
002	016	3188650	WASHER	23/11/2010-
002	017	3170110	ACCOMODATION ϕ 6	01/01/2006-
002	018	3170290	KNOB SPRING	01/01/2006-
002	019	6300643	THERMAL RESISTOR PT1000 ASSEM	01/01/2006-
002	020	31X0170	PIN FT ϕ 6	01/01/2006-
002	021	3000060	TERMINAL	01/01/2006-
002	022	32V5570	LAMP, COMPLETE	01/01/2006-
002	023	32V5740	MAGNETIC MICROSWITCH	01/01/2006-
002	024	32V5750	THERMAL RESISTOR, PT1000	01/01/2006-
002	025	3006040	FAN	11/12/2012-
002	026	3111950	SAFETY THERMOSTAT	29/10/2008-
002	027	3278370	LAMP GUARD	14/01/2015-
002	028	36H0901	ENCODER KNOB	01/01/2006-
002	029	36E3790	WASHER	01/01/2006-
002	030	36E3170	LAMP GASKET	01/01/2006-
002	031	36E3550	WASHER	01/01/2006-
002	032	36E3560	WASHER	01/01/2006-
003	001	3016270	PVC HOSE ϕ 12	01/01/2006-
003	002	3032670	"SOLENOID VALVE 3/4"" 1IN-2OUT"	01/01/2006-
003	005	3032890	CONNECTOR	01/01/2006-
003	006	3032900	SPACER	01/01/2006-
003	007	3032920	JET ϕ 1.85	01/01/2006-
003	008	3032930	JET	01/01/2006-
003	009	3278360	FILTER	13/02/2015-
003	010	3041830	PRESSURESTAT	01/01/2006-
003	011	3045960	GASKET	01/01/2006-
003	012	3051330	VALVE CONNECTOR	01/01/2006-
003	013	3051370	SLEEVE F3/4 M1/2	01/01/2006-
003	014	3140220	PIPE CLAMP	01/01/2006-
003	015	3140230	12/20 PIPE CLAMP	01/01/2006-
003	016	3151441	WASHER ϕ 22 ϕ 16.2=1.5 CU	01/01/2006-
003	017	3151450	WASHER	01/01/2006-
003	018	3152360	WASHER 3/8" 3/8" ϕ 22- ϕ 17.2=1.5 CU/NI	01/01/2006-
003	019	6002600	BUTTERFLY VALVE UNIT	01/01/2006-
003	020	6002930	COUNTERWEIGHT, SINGLE	01/01/2006-
003	021	6002801	CONDENSATION DRAIN UNIT	24/09/2009-
003	022	6020180	WATER INTAKE UNIT	01/01/2006-

Page	Pos	Code	Description	info
003	023	6020041	WATER INTAKE UNIT	02/12/2008-
003	024	111AA05	RUBBER HOSE Ø30 Ø20	01/01/2006-
003	025	131AA12	RUBBER HOSE Ø17 Ø10 X 10	01/01/2006-
003	026	131AA29	RUBBER HOSE	01/01/2006-
003	027	30Z2050	PIPE AISI304 Ø1 1/2- 159X77	01/01/2006-
003	028	6002920	EXTRACTION UNIT	01/01/2006-
003	029	30Z3011	WASTE PIPE	01/01/2006-
003	030	32V5760	THERMAL RESISTOR,	01/01/2006-
003	031	32V5780	PT1000 CYCLE PROGRAMMER	01/01/2006-
003	032	33D1650	"PRES. REDUC. VAL. F-F Ø 1/2""	01/01/2006-
003	033	33D1680	MANOMETRE 0-40BAR M1/8	01/01/2006-
003	035	33Q2500	NIPPLE 1/2"-3/4"	01/01/2006-
003	036	33Q4860	H2O FILTER	02/12/2008-
003	037	33Q5980	SOUND REDUC.	01/01/2006-
003	038	36A3401		04/12/2013-
003	039	36A5020	DRAIN TRAP	01/01/2006-
003	040	36E2990	BUTTERFLY VALVE GASKET	01/01/2006-
003	041	36E3010	EXTRACTION GASKET	01/01/2006-
003	042	36E3040	"M""1"" PLUG"	01/01/2006-
003	043	36E3320	SIPHON GASKET	01/01/2006-
003	044	36Q1171	LOCKNUT M16X1.5	01/01/2006-
003	046	3043720	DRAIN PIPE	01/01/2006-
003	047	6020200	WATER PIPE ASS. Y	01/01/2006-
003	048	33Q6650	UNION	01/01/2006-
003	049	36E4330	UNION	01/01/2006-
003	050	33M0350	PIPE	01/01/2006-
003	051	3006360	REDUCING MF 3/4"G- 1/2"G	19/09/2008-
003	052	3004170	VALVE	19/09/2008-
004	001	3003400	UNION	01/01/2006-
004	002	3003760	EXTENSION	01/01/2006-
004	003	36E4320	BAND CLAMP	01/01/2006-
004	004	3281420	FIXED SPOUT	27/01/2015-
004	005	3007200	EXTENSION	01/01/2006-
004	006	3014470	90°-ELBOW	01/01/2006-
004	007	33T4570	RINSE NOZZLE	09/01/2013-
004	008	131AA35	PIPE	210 01/01/2006-
004	009	6020190	RINSE ARM PIPE ASSEMBLY	01/01/2006-
005	001	32M6722	MOTOR LEVEL 1-2	01/01/2006-
005	002	3004400	GASKET	01/01/2006-
005	003	3004791	DIFFUSER	01/01/2006-
005	004	3009711	END PIPE, COMPLETE	01/01/2006-
005	006	3084430	SCREW TE M6 Ø16x23	05/12/2006-
005	007	6018950	MOTOR ASS.Y	01/01/2006-
005	008	32M6751	FAN	01/01/2006-
005	009	35Y0570	WATER ENTRY PROFILE	01/01/2006-
005	010	36E3160	RING GASKET SUPPORT	01/01/2006-
005	011	37Q0250	GASKET	01/01/2006-
005	012	3014810	WASHER Ø30Ø10.5=2.5	01/01/2006-
005	013	3016470	SCREW M10X35	01/01/2006-
005	014	3019001	WASHER	01/01/2006-
005	015	3042321	ROLL-IN RACK	15/09/2008-

Page	Pos	Code	Description	info
005	016	3041900	HANDLE	01/01/2006-
005	017	3152890	LOWER TRAY ASS.Y	11/07/2008-
005	019	3055901	PIVOTING CASTOR WITH BRAKE Ø110	08/03/2006-
005	020	3138020	DRIP TRAY	09/03/2009-
005	022	3055120	PLUG	01/01/2006-
005	024	3045960	GASKET	01/01/2006-
005	025	32G1701	HEATING ELEMENT 16.4KW230V	01/01/2006-
005	026	37Q3220	GASKET	01/01/2006-
005	027	32D1780	FAIRLEAD	01/01/2006-
005	028	3073490	CONTAINER SLIDE	21/02/2006-
006	001	32V6210	FUSE	01/01/2006-
006	002	32X0380	ADHESIVE PLATE	01/01/2006-
006	003	32V5361	PCB	01/04/2007-
006	004	32D1450	TERMINAL	01/01/2006-
006	005	32X0120	GROMMETØ 21	01/01/2006-
006	006	32V5930	TRANSFORMER	01/01/2006-
006	007	32D1780	FAIRLEAD	01/01/2006-
006	008	3100940	RELAY BF09 230V- 50/60Hz-25(9)A	25/10/2007-
006	009	32V6200	FUSE TERMINAL 10x38	01/01/2006-
006	010	32D1000	GROUND TERMINAL	01/01/2006-
006	011	32D1170	TERMINAL END COVER	01/01/2006-
006	012	32D1160	LIVE TERMINAL	01/01/2006-
006	013	32D0870	TERMINAL CLAMP	01/01/2006-
006	014	32X0130	GROMMET Ø29-Ø37	01/01/2006-
006	015	3100930	RELAY	25/10/2007-
006	016	3101090	RELAY	25/10/2007-
006	017	36Q1940	HOLE PLUG	01/01/2006-
006	018	3100950	INDEP. ASSEMBLY SUPPORT	25/10/2007-
007	001	6023120	INSIDE MOVING GLASS + FRAME FO	01/01/2006-
007	003	3003460	HINGE BRACKET	01/01/2006-
007	004	3003470	BOTTOM HINGE BUSHING	01/01/2006-
007	005	3008810	MAGNET	01/01/2006-
007	006	3019510	SPACER	01/01/2006-
007	007	3190020	SCREW M6X10	01/01/2006-
007	008	6300660	OVEN DOOR ASSEMBLY + FRONT	30/11/2007-
007	009	36D7062	GASKET PIN	01/01/2006-
007	010	36E2570	WEDGE LOCK	01/01/2006-
007	011	36E2581	LOCK UNIT	21/07/2009-
007	012	36E2800	DOOR OUTSIDE GLASS	01/01/2006-
007	013	36E2660	BOTTOM DOOR	01/01/2006-
007	014	36E2670	SUPPORT DOOR BOTTOM HINGE	01/01/2006-
007	015	36E2680	DOOR TOP HINGE	01/01/2006-
007	016	36E2781	DOOR GUARD	07/09/2011-
007	017	36E2820	MALE HALF HINGE	01/01/2006-
007	018	36E2830	EXTERNAL GLASS GASKET	01/01/2006-
007	019	3050160	FRONT GASKET	01/01/2006-
007	020	36G5320	SPRING	01/01/2006-
007	021	36H0920	FRAME PIN	11/07/2008-
007	022	3039510	COUNTERDOOR	01/01/2006-
007	023	3051690	TRIM	01/01/2006-
007	024	3051680	TRIM	01/01/2006-

Page	Pos	Code	Description	info
007	025	3040480	GASKET	01/01/2006-
007	026	6300843	PLASTIC INSERT LOCK	01/01/2006-
007	027	3001960	SPACER	17/03/2006-
007	028	3154970	RH STEAMCONDENSATION DEFLECTOR	11/07/2008-
007	029	3154960	LH STEAMCONDENSATION	11/07/2008-