

Зип Общепит

vsezip.ru

+7(812)987-08-81



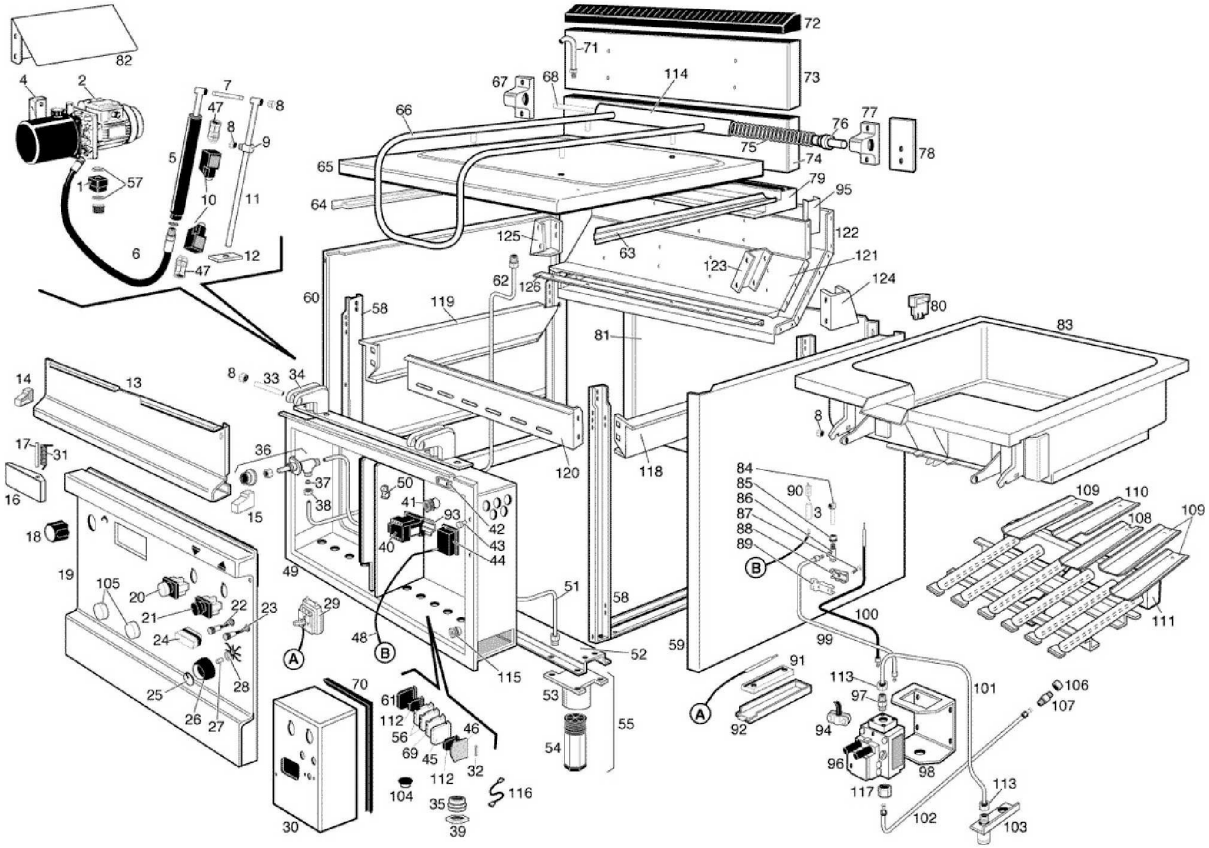
71RA

Edition 20111001-

Зип Ощепит

vsezip.ru

+7(812)987-08-81



| Pos | Code | Description | Info |
|-----|---------|---------------------------------|-------------|
| 001 | 32Z5220 | SOLENOID VALVE COIL 220V-50Hz | 01/11/1995- |
| 001 | 32Z5230 | SOLENOID VALVE COIL 220V. 60HZ | 01/11/1995- |
| 002 | 36G2091 | ELECTR. PUMP | 01/11/1995- |
| 002 | 36G3741 | 220/240V-50Hz ELECTR. PUMP 60HZ | 01/11/1995- |
| 003 | 131AA46 | HOSE 8'X40 | 01/11/1995- |
| 004 | 35R1970 | SUPPORT | 30/09/1996- |
| 005 | 36G2082 | HYDRAULIC RAM | 01/11/1995- |
| 006 | 36G2100 | FLEXIBLE PIPE | 01/11/1995- |
| 007 | 36D2101 | PIN | 01/11/1995- |
| 008 | 3128420 | BENZING RING Ø 9 | 01/11/1995- |
| 009 | 36D2110 | ROD GUIDE | 01/11/1995- |
| 010 | 32W3251 | PROTECTED MICROSWITCH | 01/11/1995- |
| 011 | 36D2140 | MICROSWITCH ROD | 01/11/1995- |
| 012 | 36D2170 | MICROSWITCH SUPPORT | 01/11/1995- |
| 013 | 35A9570 | UPPER CONTROL | 01/11/1995- |
| 014 | 36D3430 | BOARD LH END SIDE | 01/11/1995- |
| 015 | 36D3420 | RH END SIDE | 01/11/1995- |
| 016 | 35G4260 | SLOT COVER | 01/11/1995- |
| 017 | 36G5150 | PIN | 01/11/1995- |
| 018 | 36M2632 | BLUE RING KNOB | 01/01/2011- |
| 019 | 35B8291 | FRONT PANEL | 01/11/1995- |
| 020 | 6300836 | PUSH BUTTON | 01/10/2011- |
| 021 | 6300836 | PUSH BUTTON | 01/10/2011- |
| 022 | 3106730 | ORANGE LIGHT 230V | 23/05/2007- |
| 023 | 3106710 | GREEN LIGHT 230V | 23/05/2007- |
| 024 | 37Q1200 | GAS VALVE PROTECTION | 01/11/1995- |
| 025 | 36M2800 | KNOB PLATE | 01/11/1995- |
| 026 | 36M2620 | ELECTRIC CONTROL | 01/11/1995- |
| 027 | 3170290 | KNOB KNOB SPRING | 01/11/1995- |
| 028 | 3150790 | THERMOSTAT PROTECT. | 01/11/1995- |
| 029 | 32V6510 | THERMOSTAT 50-310° 1F | 25/05/2004- |
| 030 | 35Q8030 | GUARD ASS.Y | 01/11/1995- |
| 031 | 36G5180 | SPRING | 01/11/1995- |
| 032 | 3201540 | FUSE 5X20 | 01/11/1995- |
| 033 | 36G2831 | PIN | 01/11/1995- |
| 034 | 36M2760 | WELL HINGE ASS.Y | 01/11/1995- |
| 035 | 32D0191 | FAIRLEAD | 01/11/1995- |
| 036 | 33D0590 | "COCK 3/8"" | 01/11/1995- |
| 037 | 36Q0080 | BICONE Ø 10X6.5 | 01/11/1995- |
| 038 | 36Q0140 | BICONE NUT Ø 10 | 01/11/1995- |
| 039 | 32D0200 | LOCK NUT PG16 | 01/11/1995- |
| 040 | 32Z4470 | RELAY 230V. 50HZ | 01/11/1995- |
| 040 | 32Z4480 | RELAY 220V. 60HZ | 01/11/1995- |
| 041 | 32X0120 | GROMMETØ 21 | 01/11/1995- |
| 042 | 35U5510 | CAPILLARY BULB SUPPORT | 01/11/1995- |
| 043 | 32X0190 | CABLE SUPPORT | 01/11/1995- |
| 044 | 32T0210 | SPARK IGNITION DEVICE | 20/03/2001- |
| 045 | 32D1730 | FUSE TERMINAL BOARD | 24/01/2002- |
| 046 | 32D1740 | TERMINAL | 24/01/2002- |
| 047 | 32D0830 | FAIRLEAD Ø 8 | 01/11/1995- |
| 048 | 32A0061 | CABLE "HF" 1100MM | 01/11/1995- |

| Pos | Code | Description | Date |
|-----|---------|----------------------------|-------------|
| 049 | 30A3631 | FRONT FRAME ASSEMBLY | 30/09/1996- |
| 050 | 3140290 | PIPE CLAMP Ø10 | 01/11/1995- |
| 051 | 30Z1483 | PIPE | 01/11/1995- |
| 052 | 35U3300 | ""OMEGA"" BRACKET" | 01/11/1995- |
| 053 | 36D9360 | FOOT HOUSING ASS. Y | 01/11/1995- |
| 054 | 36D9350 | STAINLESS STEEL FOOT | 01/11/1995- |
| 055 | 36D9340 | STAINLESS STEEL FOOT ASS.Y | 01/11/1995- |
| 056 | 32D0840 | LIVE TERMINAL | 01/11/1995- |
| 057 | 3151030 | "O" RING | 01/11/1995- |
| 058 | 30T1730 | SIDE FRAME ASS. Y | 01/11/1995- |
| 059 | 35A8110 | RH PANEL | 01/11/1995- |
| 060 | 35A8120 | LH PANEL | 01/11/1995- |
| 061 | 32D0850 | TERMINAL | 01/11/1995- |
| 062 | 30Z1472 | WATER PIPE ASS. Y | 01/11/1995- |
| 063 | 35U5260 | "Z" BRACKET | 01/11/1995- |
| 064 | 35U5270 | "Z" BRACKET | 01/11/1995- |
| 065 | 30G1051 | WELL LID | 01/11/1995- |
| 066 | 36M5190 | HANDLE | 01/11/1995- |
| 067 | 36D2800 | LH HINGE SUPPORT | 01/11/1995- |
| 068 | 36G2650 | HINGE SHAFT | 01/11/1995- |
| 069 | 32D0860 | GROUND TERMINAL | 01/11/1995- |
| 070 | 37Q2982 | GASKET | 25/03/1999- |
| 071 | 33Q2800 | WATER SPOUT | 01/11/1995- |
| 072 | 35A9090 | FLUE GUARD | 01/11/1995- |
| 073 | 30D1231 | EXT FLUE ASS. Y | 01/11/1995- |
| 074 | 30T1821 | STIFFENING | 01/11/1995- |
| 075 | 36G2640 | SPRING | 01/11/1995- |
| 076 | 36G2680 | SPRING PIN | 01/11/1995- |
| 077 | 36D2790 | RH HINGE SUPPORT | 01/11/1995- |
| 078 | 35U3760 | STIFFENING | 01/11/1995- |
| 079 | 35Q5631 | REAR COVER | 01/11/1995- |
| 080 | 35U5120 | SUPPORT | 01/11/1995- |
| 081 | 35B0451 | REAR PANEL | 01/11/1995- |
| 082 | 35Q9060 | EL. PUMP PROTECTION | 01/11/1995- |
| 083 | 30W0780 | WELL ASS. Y | 01/11/1995- |
| 084 | 33A1081 | THREE-FLAME BURNER | 24/04/2008- |
| 085 | 33A0970 | RING NUT | 01/11/1995- |
| 086 | 33A2900 | PILOT BURNER BODY | 01/11/1995- |
| 087 | 33A0980 | SCREW 3/16W. X18TE | 01/11/1995- |
| 088 | 33A0950 | REAR BRACKET | 01/11/1995- |
| 089 | 33A1000 | FRONT BRACKET | 01/11/1995- |
| 090 | 32T0010 | IGNITION PLUG | 27/01/2010- |
| 091 | 36D3260 | PROBE SUPPORT | 01/11/1995- |
| 092 | 35Q9110 | BULB GUARD | 01/11/1995- |
| 093 | 32D0940 | "OMEGA" BRACKET | 01/11/1995- |
| 094 | 33A0020 | COMPL. VALVE | 01/11/1995- |
| 095 | 35V9950 | "U" BRACKET | 01/11/1995- |
| 096 | 33A0590 | "GAS VALVE 1/2"" | 01/11/1995- |
| 097 | 33Q0160 | NIPPLE M22X1.5 | 01/11/1995- |
| 098 | 35U5110 | "U" BRACKET | 01/11/1995- |
| 099 | 35X3490 | PILOT LIGHT PIPE | 01/11/1995- |

| Pos | Code | Description | Info |
|-----|---------|----------------------------|-------------|
| 100 | 33A1190 | THERMOCOUPLE | 05/06/2001- |
| 101 | 35Z5801 | M9X1X750 GAS VALVE PIPE | 01/11/1995- |
| 102 | 35X3480 | BURNER PIPE | 01/11/1995- |
| 103 | 30Z1461 | NIPPLE ASS. Y | 01/11/1995- |
| 104 | 36Q0380 | PLUG Ø38 | 01/11/1995- |
| 105 | 37Q7600 | HEAT. ELEM. PROTECTION | 01/11/1995- |
| 106 | 36Q1110 | LOCK NUT 3/8" | 01/11/1995- |
| 107 | 3035340 | NOZZLE HOUSING | 24/07/2006- |
| 108 | 35D8550 | BAFFLE | 01/11/1995- |
| 109 | 35D8560 | BAFFLE | 01/11/1995- |
| 110 | 35D8570 | BAFFLE | 01/11/1995- |
| 111 | 34A0730 | BURNER 20KW | 01/11/1995- |
| 112 | 32D0870 | TERMINAL CLAMP | 01/11/1995- |
| 113 | 36Q0210 | BICONE NUT Ø 14 | 01/11/1995- |
| 114 | 36G6680 | LID HINGE | 01/11/1995- |
| 115 | 32X0140 | GROMMET Ø13,5-Ø25 | 01/11/1995- |
| 116 | 32A1640 | CABLE "HF" 150MM | 01/11/1995- |
| 117 | 33Q2571 | "REDUCTION MF 3/8""-1/2"" | 22/07/2004- |
| 118 | 35D8500 | R.H. EXHAUST FLUE CHAMBER | 01/11/1995- |
| 119 | 35D8510 | L.H. EXHAUST FLUE CHAMBER | 01/11/1995- |
| 120 | 35D8520 | FRONT EXHAUST FLUE CHAMBER | 01/11/1995- |
| 121 | 35D8530 | FRONT FLUE | 01/11/1995- |
| 122 | 35D8540 | REAR FLUE | 01/11/1995- |
| 123 | 35R0020 | "U" BRACKET | 01/11/1995- |
| 124 | 35V9800 | RH FLUE SUPPORT | 01/11/1995- |
| 125 | 35V9810 | LH FLUE SUPPORT | 01/11/1995- |
| 126 | 35V9820 | "L" BRACKET | 01/11/1995- |
| 127 | 32Q3870 | EL. CABLES 91RA | 01/11/1995- |
| 128 | 36D1130 | SHOCK ABSORBER | 30/09/1996- |
| 129 | 35R2010 | SUPPORT | 30/09/1996- |