

Зип Общепит

vsezip.ru

+7(812)987-08-81



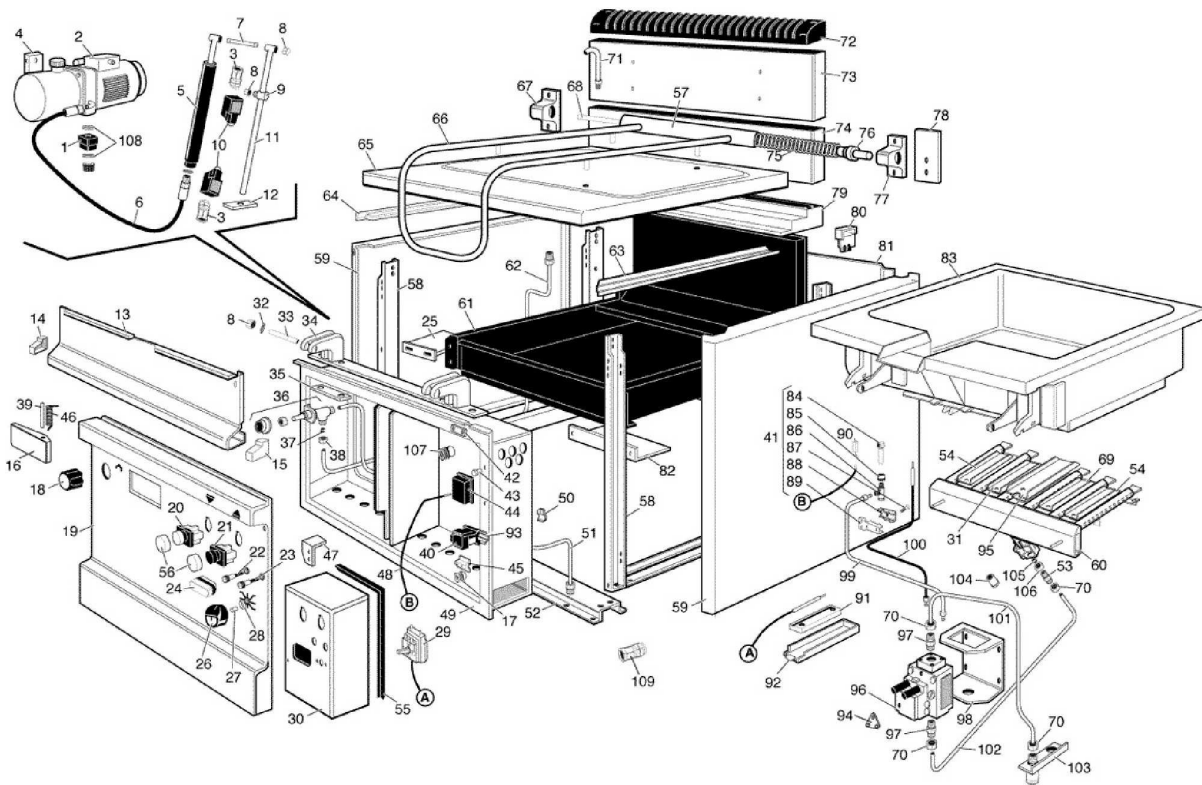
**91AR**

**Edition 20111001-**

Зип Общепит

vsezip.ru

+7(812)987-08-81



Pos	Code	Description	Info
001	32Z5220	SOLENOID VALVE COIL 220V-50Hz	01/03/1993-
001	32Z5230	SOLENOID VALVE COIL 220V. 60HZ	01/03/1993-
002	36G2091	ELECTR. PUMP	01/03/1993-
002	36G3741	220/240V-50Hz ELECTR. PUMP 60HZ	01/03/1993-
003	32D0830	FAIRLEAD Ø 8	01/03/1993-
004	35R1970	SUPPORT	30/09/1996-
005	36G2081	HYDRAULIC RAM	01/03/1993-
006	36G2100	FLEXIBLE PIPE	01/03/1993-
007	36D2100	PIN	01/03/1993-
008	3128420	BENZING RING Ø 9	01/03/1993-
009	36D2110	ROD GUIDE	01/03/1993-
010	32W3251	PROTECTED MICROSWITCH	01/03/1993-
011	36D2140	MICROSWITCH ROD	01/03/1993-
012	36D2170	MICROSWITCH SUPPORT	01/03/1993-
013	35A9570	UPPER CONTROL	01/03/1993-
014	36D3430	BOARD LH END SIDE	01/03/1993-
015	36D3420	RH END SIDE	01/03/1993-
016	35G4260	SLOT COVER	01/03/1993-
017	32X0140	GROMMET Ø13,5-Ø25	01/03/1993-
018	36M2632	BLUE RING KNOB	01/01/2011-
019	35B8291	FRONT PANEL	01/03/1993-
020	6300836	PUSH BUTTON	01/10/2011-
021	6300836	PUSH BUTTON	01/10/2011-
022	3106730	ORANGE LIGHT 230V	23/05/2007-
023	3106710	GREEN LIGHT 230V	23/05/2007-
024	37Q1200	GAS VALVE PROTECTION	01/03/1993-
025	35Q3140	MICROSWITCH GUARD	01/03/1993-
026	36M4560	ELECTRIC CONTROL	01/03/1993-
027	3170290	KNOB KNOB SPRING	01/03/1993-
028	3150790	THERMOSTAT PROTECT.	01/03/1993-
029	32V6510	THERMOSTAT 50-310° C 1F	25/05/2004-
030	35Q8031	GUARD ASS.Y	07/12/1995-
031	35D3890	BAFFLE	01/03/1993-
032	3120820	WASHER Ø 21 Ø 10.5=2	01/03/1993-
033	36G2830	PIN	01/03/1993-
034	36M2760	WELL HINGE ASS.Y	01/03/1993-
035	35U5130	STIFFENING	01/03/1993-
036	33D0590	"COCK 3/8""	01/03/1993-
037	36Q0080	BICONE Ø 10X6.5	01/03/1993-
038	36Q0140	BICONE NUT Ø 10	01/03/1993-
039	36G5150	PIN	01/03/1993-
040	32Z2080	RELAY	01/03/1993-
040	32Z2531	RELAY 240V-50/60HZ	31/12/1997-
041	6000350	PILOT BURNER ASS.Y	01/03/1993-
042	35U5510	CAPILLARY BULB	01/03/1993-
043	32X0190	SUPPORT CABLE SUPPORT	01/03/1993-
044	32T0050	SPARK IGNITION DEVICE	01/03/1993-
045	32D0390	TERMINAL BOARD	01/03/1993-
046	36G5180	SPRING	01/03/1993-
047	35S3270	"L" BRACKET	01/03/1993-
048	32A0061	CABLE "HF" 1100MM	01/03/1993-

Pos	Code	Description	Date
049	30A2022	FRONT FRAME ASS. Y	01/03/1993-
050	3140290	PIPE CLAMP Ø10	01/03/1993-
051	30Z1482	PIPE	01/03/1993-
052	35U3300	""OMEGA"" BRACKET"	01/03/1993-
053	33Q0180	NOZZLE HOUSING	01/03/1993-
054	35D3870	BAFFLE	01/03/1993-
055	37Q2982	GASKET	25/03/1999-
056	37Q7600	HEAT. ELEM. PROTECTION	01/03/1993-
057	36G6680	LID HINGE	01/03/1993-
058	30T1730	SIDE FRAME ASS. Y	01/03/1993-
059	35B7390	PANEL	01/03/1993-
060	34A1480	BURNER	01/03/1993-
061	30D2120	EXHAUST FLUE CHAMBER ASS.Y	01/03/1993-
062	30Z1470	WATER PIPE ASS. Y	01/03/1993-
063	35U5260	"Z" BRACKET	01/03/1993-
064	35U5270	"Z" BRACKET	01/03/1993-
065	30G1051	WELL LID	01/03/1993-
066	36M5190	HANDLE	01/03/1993-
067	36D2800	LH HINGE SUPPORT	01/03/1993-
068	36G2650	HINGE SHAFT	01/03/1993-
069	35D3900	BAFFLE	01/03/1993-
070	36Q0210	BICONE NUT Ø 14	01/03/1993-
071	33Q2800	WATER SPOUT	01/03/1993-
072	35Q7400	FLUE GUARD	01/03/1993-
073	30D1230	EXT FLUE ASS. Y	01/03/1993-
074	30T1820	STIFFENING	01/03/1993-
075	36G2640	SPRING	01/03/1993-
076	36G2680	SPRING PIN	01/03/1993-
077	36D2790	RH HINGE SUPPORT	01/03/1993-
078	35U3760	STIFFENING	01/03/1993-
079	35Q5630	REAR COVER	01/03/1993-
080	35U5120	SUPPORT	01/03/1993-
081	35A8130	REAR PANEL	01/03/1993-
082	35Q6230	EL. PUMP PROTECTION	01/03/1993-
083	30W2240	WELL ASS. Y	01/03/1993-
084	33A1081	THREE-FLAME BURNER	24/04/2008-
085	33A0970	RING NUT	01/03/1993-
086	33A0960	PILOT BURNER BODY Ø0,25	01/03/1993-
087	33A0980	SCREW 3/16W. X18TE	01/03/1993-
088	33A0950	REAR BRACKET	01/03/1993-
089	33A1000	FRONT BRACKET	01/03/1993-
090	32T0140	IGNITION PLUG	01/03/1993-
091	36D3260	PROBE SUPPORT	01/03/1993-
092	35Q5620	BULB GUARD	01/03/1993-
093	32D0940	"OMEGA" BRACKET	01/03/1993-
094	33A0020	COMPL. VALVE	01/03/1993-
095	35D3880	BAFFLE	01/03/1993-
096	33A0590	"GAS VALVE 1/2""	01/03/1993-
097	33Q0160	NIPPLE M22X1.5	01/03/1993-
098	35U5110	"U" BRACKET	01/03/1993-
099	35Z5820	PILOT LIGHT PIPE	01/03/1993-

Pos	Code	Description	Info
100	33A1190	THERMOCOUPLE M9X1X750	05/06/2001-
101	35Z5801	GAS VALVE PIPE	01/03/1993-
102	35Z5810	BURNER PIPE	01/03/1993-
103	30Z8170	NIPPLE ASS. Y	01/03/1993-
104	36D2850	BUSHING Ø 15	01/03/1993-
105	33T1760	JET Ø 1.90	01/03/1993-
105	33T1950	JET Ø 3.50	01/03/1993-
105	33T2170	JET Ø 6.25	01/03/1993-
106	36Q1110	LOCK NUT 3/8"	01/03/1993-
107	32X0120	GROMMETØ 21	01/03/1993-
108	3151030	"O" RING	01/03/1993-
109	32D0770	FAIRLEAD 8/10-17/20	01/03/1993-
110	32Q3650	EL. CABLES 91AR	01/03/1993-
111	36D1130	SHOCK ABSORBER	30/09/1996-
112	35R2010	SUPPORT	30/09/1996-