

Зип Общепит

vsezip.ru

+7(812)987-08-81



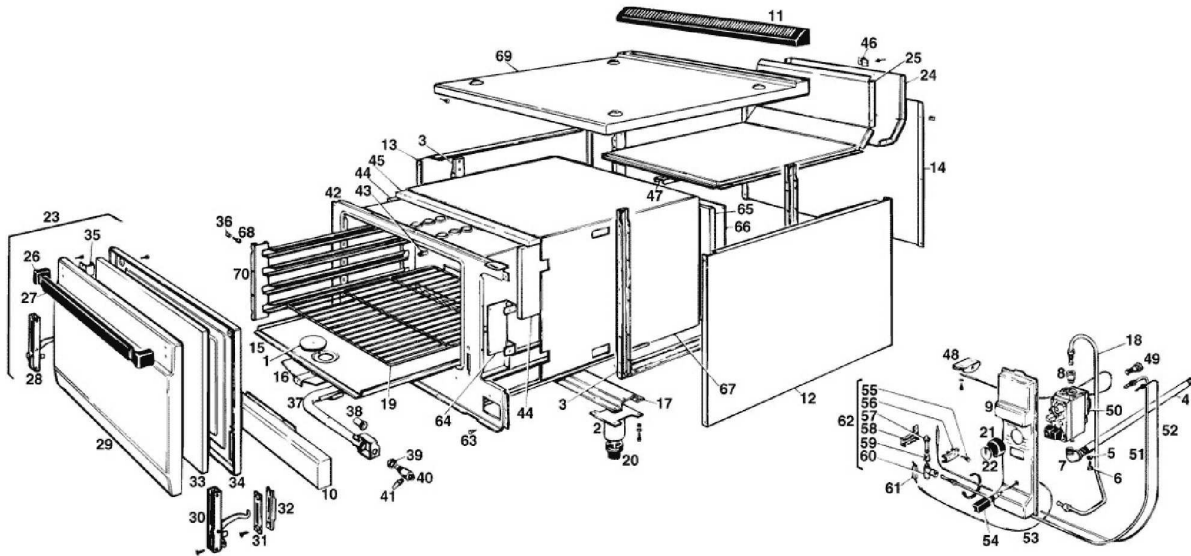
FS30

Edition 20080424-

Зип Ощепит

vsezip.ru

+7(812)987-08-81



Pos	Code	Description	Info
001	30D1260	OVEN PLATE HOLE COVER	01/09/1993-
002	30T1741	FOOT HOUSING ASS. Y	01/09/1993-
003	30T2110	SIDE FRAME ASS. Y	01/09/1993-
004	30Z1500	GAS MANIFOLD ASS. Y	01/09/1993-
005	3128460	WASHER	01/09/1993-
006	31A7380	SCREW TE M5X10	01/09/1993-
007	33Q2650	"ELBOW MF 3/8""	01/09/1993-
008	33Q2720	SOCKET MF 1/2"-3/8"	01/09/1993-
009	35A8030	SIDE CONTROL BOARD	01/09/1993-
010	35A8100	LOWER FRONT PANEL	01/09/1993-
011	35A9090	FLUE GUARD	01/09/1993-
012	35B0170	RH PANEL	01/09/1993-
013	35B0180	LH PANEL	01/09/1993-
014	35B0190	REAR PANEL	01/09/1993-
015	35D3100	OVEN BOTTOM PLATE	01/09/1993-
016	35D3280	FLAME DEFLECTOR	01/09/1993-
017	35U3300	""OMEGA"" BRACKET"	01/09/1993-
018	35Z5150	PIPE	01/09/1993-
019	36A0990	OVEN GRID	01/09/1993-
020	36D2760	EXAGONAL FOOT SCREW	01/09/1993-
021	36M2580	GAS THERMOSTAT KNOB	01/09/1993-
022	36M2800	KNOB PLATE	01/09/1993-
023	6000570	OVEN DOOR ASS. Y	01/09/1993-
024	35D3700	HALF FLUE REAR PLATE	01/09/1993-
025	35D3690	HALF FLUE FRONT PLATE	01/09/1993-
026	36M2910	TERMINAL	01/09/1993-
027	36M2441	HANDLE	01/09/1993-
028	36M2430	LEFT HAND HINGE	01/09/1993-
029	35G1930	OVEN DOOR	01/09/1993-
030	36M2420	RIGHT-HAND HINGE	01/09/1993-
031	35U3170	FLAT BRACKET	01/09/1993-
032	36M0270	HINGE CATCH	01/09/1993-
033	37Q1880	INSULATING PANEL	01/09/1993-
034	35G1940	INNER DOOR FRAME ASS. Y	01/09/1993-
035	35U3150	""C"" BRACKET"	01/09/1993-
036	36G3680	BUSHING Ø 8	01/09/1993-
037	34A1370	OVEN BURNER	01/09/1993-
038	36D2850	BUSHING Ø 15	01/09/1993-
039	36Q1110	LOCK NUT 3/8"	01/09/1993-
040	33Q2530	NOZZLE HOUSING	01/09/1993-
041	33A0640	PRESSURE TEST POINT	01/09/1993-
042	30D1020	GAS OVEN ASS. Y	01/09/1993-
043	36G2590	PIN	01/09/1993-
044	37Q1930	INSULATING PANEL	01/09/1993-
045	37Q1920	INSULATING PANEL	01/09/1993-
046	35U3180	""Z"" BRACKET"	01/09/1993-
047	35U3370	"U" BRACKET	01/09/1993-
048	35U4210	""U"" BRACKET"	01/09/1993-
049	32Z1490	GAS THERMOSTAT MAGNET	01/09/1993-
050	33A1031	GAS THERMOST. 110- 340° C	01/09/1993-
051	35Z4950	PILOT LIGHT PIPE	01/09/1993-

Pos	Code	Description	Info
052	33A1190	THERMOCOUPLE M9X1X750	05/06/2001-
053	32A0210	CABLE "HF" 700MM	01/09/1993-
054	32T0130	PIEZO IGNITION	01/09/1993-
055	33A0980	SCREW 3/16W. X18TE	01/09/1993-
056	33A0950	REAR BRACKET	01/09/1993-
057	33A1081	THREE-FLAME BURNER	24/04/2008-
058	33A1000	FRONT BRACKET	01/09/1993-
059	33A0970	RING NUT	01/09/1993-
060	33A0960	PILOT BURNER BODY	01/09/1993-
061	32T0140	Ø0,25 IGNITION PLUG	01/09/1993-
062	6000350	PILOT BURNER ASS.Y	01/09/1993-
063	36G2590	PIN	01/09/1993-
064	35U3160	VALVE SUPPORT	01/09/1993-
065	37Q1910	INSULATING PANEL	01/09/1993-
066	35D3041	INS. PANEL COVERING	01/09/1993-
067	35D3050	INSULATION PANEL COVER	01/09/1993-
068	31V0140	SCREW M6X12	01/09/1993-
069	30G1040	OVEN COVER ASS. Y	01/09/1993-
070	30T1750	TRAY RACK ASS. Y	01/09/1993-