

Зип Общепит

vsezip.ru

+7(812)987-08-81



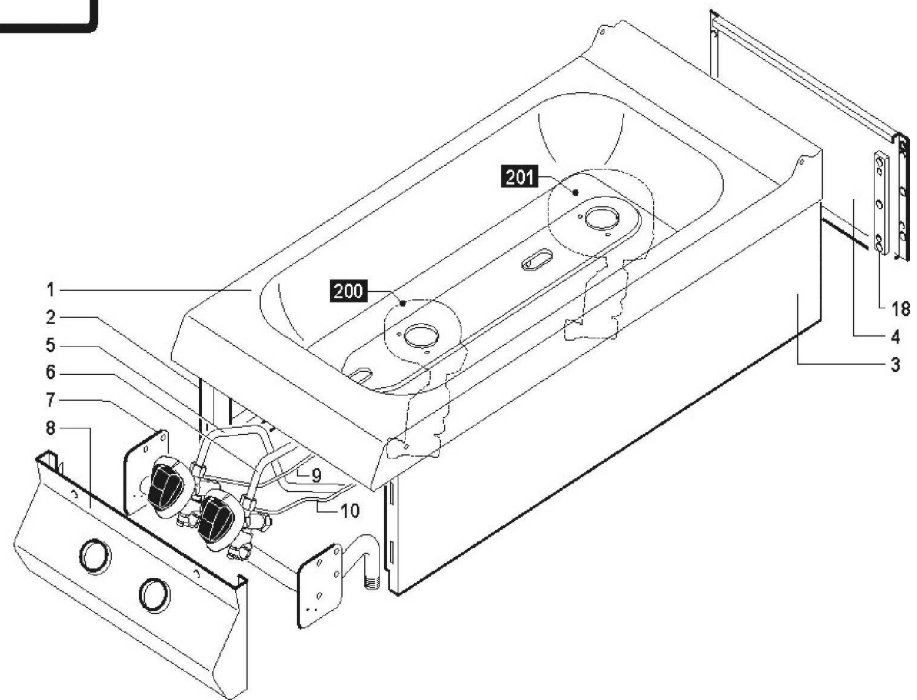
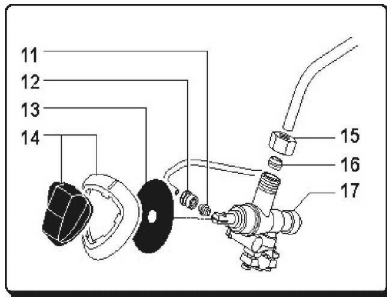
0D0FA1

Edition 20120112-

Зип Ощепит

vsezip.ru

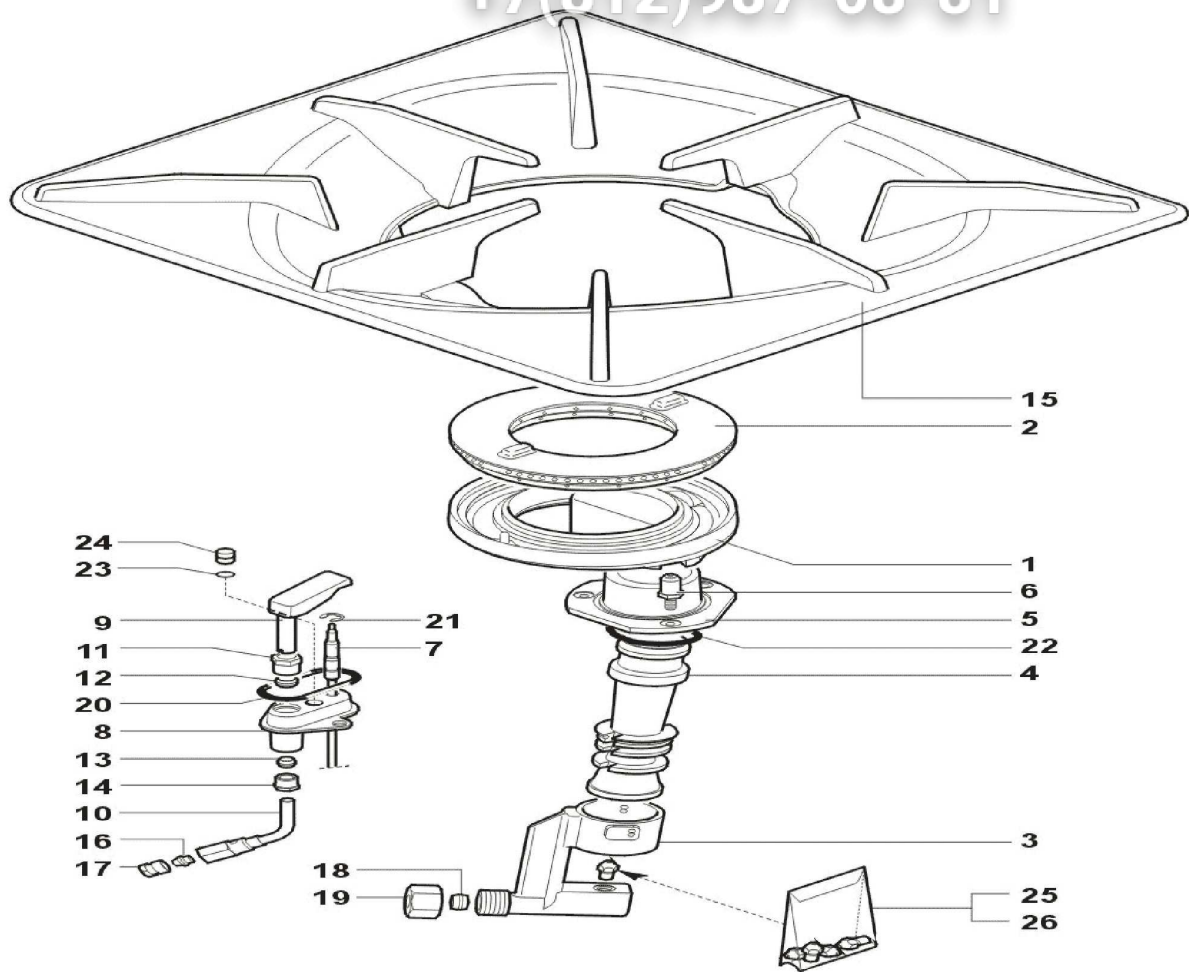
+7(812)987-08-81



Зип Общепит

vsezip.ru

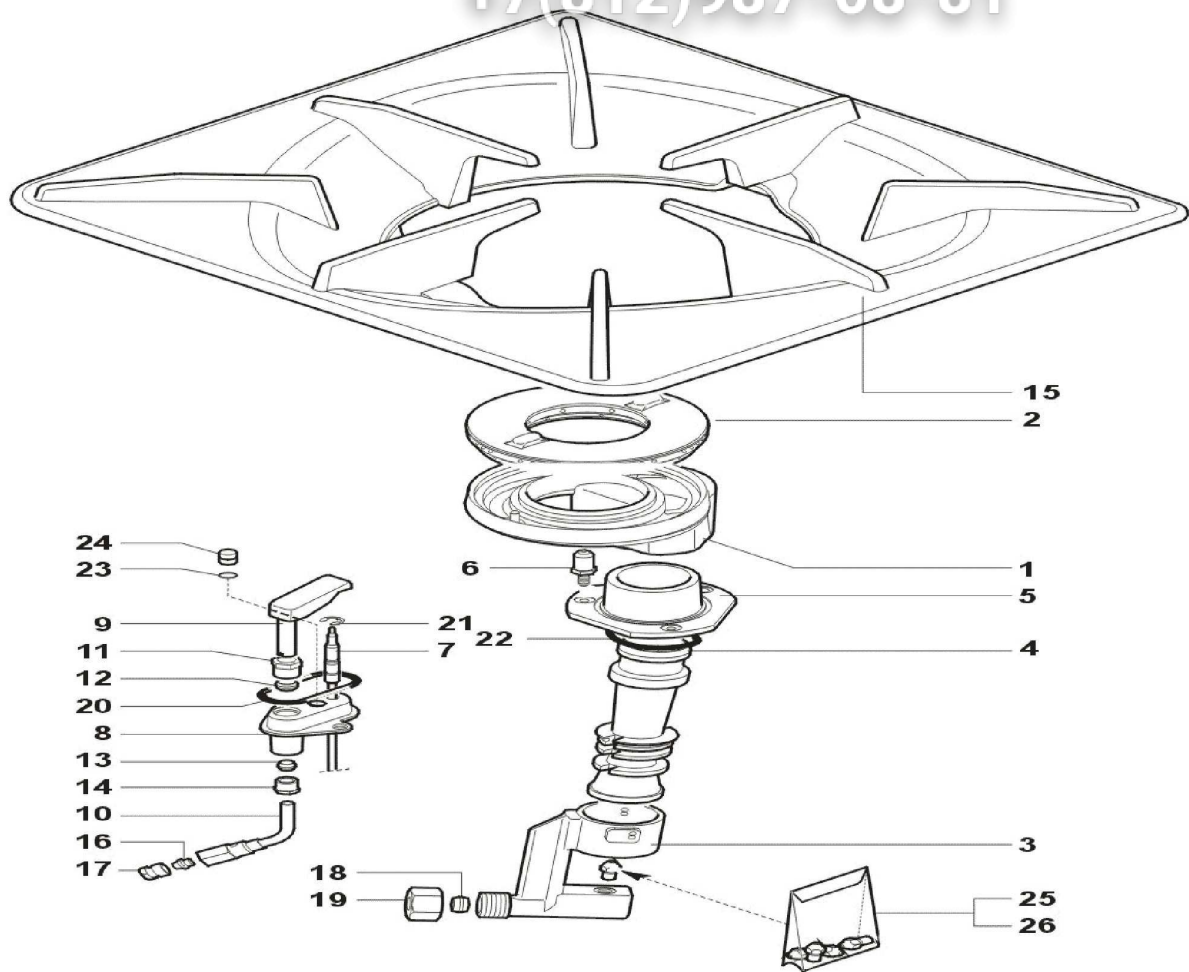
+7(812)987-08-81



Зип Общепит

vsezip.ru

+7(812)987-08-81



| Page | Pos | Code | Description | Info |
|------|-----|---------|---------------------------------|-------------|
| 002 | 001 | 30M3701 | PIANO COMP.GAS | 01/02/2002- |
| 002 | 002 | 30A4970 | LH PANEL | 01/02/2002- |
| 002 | 003 | 30A4980 | RH PANEL | 01/02/2002- |
| 002 | 004 | 35C8020 | REAR PANEL | 01/02/2002- |
| 002 | 005 | 35X5371 | BURNER PIPE | 01/02/2002- |
| 002 | 006 | 35X5381 | BURNER PIPE | 01/02/2002- |
| 002 | 007 | 30Z2110 | GAS MANIFOLD ASS. Y | 01/02/2002- |
| 002 | 008 | 30A4620 | UPPER CONTROL BOARD | 01/02/2002- |
| 002 | 009 | 35X4361 | PILOT PIPE | 01/02/2002- |
| 002 | 010 | 35X4371 | PILOT PIPE | 01/02/2002- |
| 002 | 011 | 36Q1040 | BICONE Ø4 | 01/02/2002- |
| 002 | 012 | 36Q1000 | CLOSING BICONE NUT Ø4 | 01/02/2002- |
| 002 | 013 | 3152250 | GAS VALVE GUARD Ø 50 | 01/02/2002- |
| 002 | 014 | 6300521 | GAS CONTROL ASS.Y | 01/02/2002- |
| 002 | 015 | 36Q0830 | BICONE NUT Ø 10 | 01/02/2002- |
| 002 | 016 | 36Q0080 | BICONE Ø 10X6.5 | 01/02/2002- |
| 002 | 017 | 33D1930 | GAS CONTROL | 01/02/2002- |
| 002 | 018 | 36E0370 | STIFFENING | 01/02/2002- |
| 002 | 200 | M006110 | M.BURNER | 01/02/2002- |
| 002 | 201 | M006100 | M.BURNER | 01/02/2002- |
| 003 | 001 | 34A2052 | BURNER Ø 130 | 15/09/2004- |
| 003 | 002 | 34A2060 | BURNER CAP Ø 130 | 01/02/2002- |
| 003 | 003 | 34A2020 | NOZZLE SUPP. | 01/02/2002- |
| 003 | 004 | 34A2000 | CONNECT. VENTURI Ø 14.5 | 01/02/2002- |
| 003 | 005 | 34A2071 | BURNER SUPPORT | 03/12/2009- |
| 003 | 006 | 31V0241 | PIVOT | 23/05/2003- |
| 003 | 007 | 33A0680 | THERMOCOUPLE M8X1X600 | 01/02/2002- |
| 003 | 008 | 34A2381 | PILOT BURNER | 28/01/2010- |
| 003 | 009 | 33A1490 | SUPPORT PILOT PIPE | 01/02/2002- |
| 003 | 010 | 33A1920 | PILOT BURNER BODY | 01/02/2002- |
| 003 | 011 | 36Q1620 | BICONE SCREW M 12X1 | 01/02/2002- |
| 003 | 012 | 36Q1630 | BICONE Ø 8X6.5 | 01/02/2002- |
| 003 | 013 | 36Q0020 | BICONE Ø 6 X 6.5 | 01/02/2002- |
| 003 | 014 | 36Q0060 | CLOSING BICONE NUT Ø 6 | 01/02/2002- |
| 003 | 015 | 36A2002 | GRID | 12/01/2012- |
| 003 | 016 | 36Q1040 | BICONE Ø4 | 01/02/2002- |
| 003 | 017 | 36Q1000 | CLOSING BICONE NUT Ø4 | 01/02/2002- |
| 003 | 018 | 36Q0080 | BICONE Ø 10X6.5 | 01/02/2002- |
| 003 | 019 | 36Q0610 | BICONE SCREW Ø10 | 01/02/2002- |
| 003 | 020 | 3152370 | RING "OR" Ø 34.65 | 01/02/2002- |
| 003 | 021 | 3120460 | SEAL RING | 01/02/2002- |
| 003 | 022 | 3152040 | RING "OR" Ø 47,35 | 01/02/2002- |
| 003 | 023 | 3152550 | RING "OR" Ø 6.0 | 01/02/2002- |
| 003 | 024 | 31V0370 | HOLE PLUG | 01/02/2002- |
| 003 | 025 | 6012690 | "SET OF NOZZLE G20- G25 ""CE""" | 01/02/2002- |
| 003 | 026 | 6012700 | "SET OF NOZZLE G30- G31 ""CE""" | 01/02/2002- |
| 003 | 027 | 3123650 | WASHER | 23/05/2003- |
| 003 | 028 | 31A0400 | STEEL SCREW M5X16 | 23/05/2003- |
| 004 | 001 | 34A2032 | BURNER Ø 110 | 15/09/2004- |
| 004 | 002 | 34A2040 | BURNER CAP Ø 110 | 01/02/2002- |
| 004 | 003 | 34A2020 | NOZZLE SUPP. | 01/02/2002- |

| Page | Pos | Code | Description | Info |
|------|-----|---------|---------------------------------|-------------|
| 004 | 004 | 34A2010 | CONNECT. VENTURI Ø12.5 | 01/02/2002- |
| 004 | 005 | 34A2071 | BURNER SUPPORT | 03/12/2009- |
| 004 | 006 | 31V0241 | PIVOT | 23/05/2003- |
| 004 | 007 | 33A0680 | THERMOCOUPLE M8X1X600 | 01/02/2002- |
| 004 | 008 | 34A2381 | PILOT BURNER | 28/01/2010- |
| 004 | 009 | 33A1490 | SUPPORT PILOT PIPE | 01/02/2002- |
| 004 | 010 | 33A1920 | PILOT BURNER BODY | 01/02/2002- |
| 004 | 011 | 36Q1620 | BICONE SCREW M 12X1 | 01/02/2002- |
| 004 | 012 | 36Q1630 | BICONE Ø 8X6.5 | 01/02/2002- |
| 004 | 013 | 36Q0020 | BICONE Ø 6 X 6.5 | 01/02/2002- |
| 004 | 014 | 36Q0060 | CLOSING BICONE NUT Ø 6 | 01/02/2002- |
| 004 | 015 | 36A2002 | GRID | 12/01/2012- |
| 004 | 016 | 36Q1040 | BICONE Ø4 | 01/02/2002- |
| 004 | 017 | 36Q1000 | CLOSING BICONE NUT Ø4 | 01/02/2002- |
| 004 | 018 | 36Q0080 | BICONE Ø 10X6.5 | 01/02/2002- |
| 004 | 019 | 36Q0610 | BICONE SCREW Ø10 | 01/02/2002- |
| 004 | 020 | 3152370 | RING "OR" Ø 34.65 | 01/02/2002- |
| 004 | 021 | 3120460 | SEAL RING | 01/02/2002- |
| 004 | 022 | 3152040 | RING "OR" Ø 47,35 | 01/02/2002- |
| 004 | 023 | 3152550 | RING "OR" Ø 6.0 | 01/02/2002- |
| 004 | 024 | 31V0370 | HOLE PLUG | 01/02/2002- |
| 004 | 025 | 6012690 | "SET OF NOZZLE G20- G25 ""CE""" | 01/02/2002- |
| 004 | 026 | 6012700 | "SET OF NOZZLE G30- G31 ""CE""" | 01/02/2002- |
| 004 | 027 | 3123650 | WASHER | 23/05/2003- |
| 004 | 028 | 31A0400 | STEEL SCREW M5X16 | 23/05/2003- |