

Зип Общепит

vsezip.ru

+7(812)987-08-81



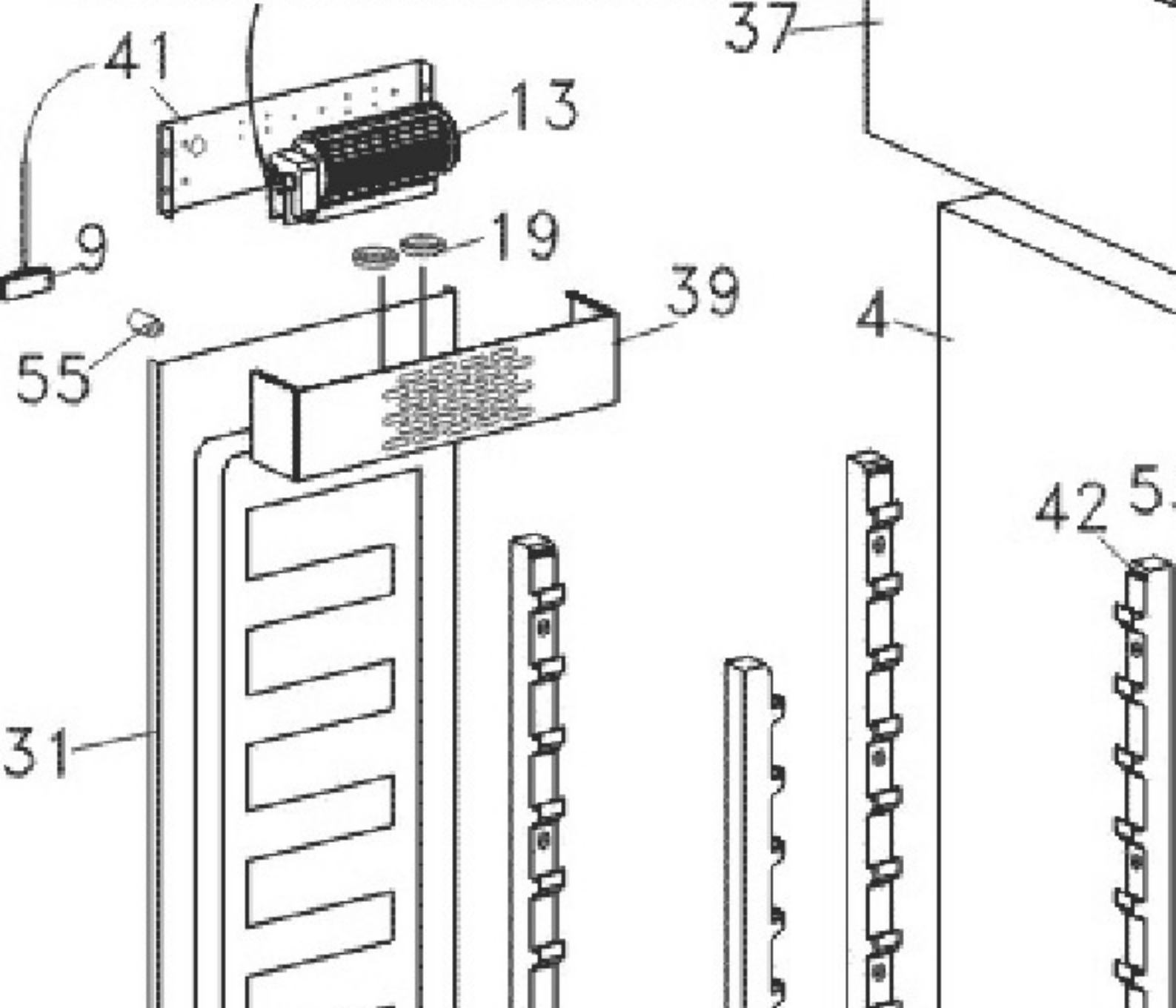
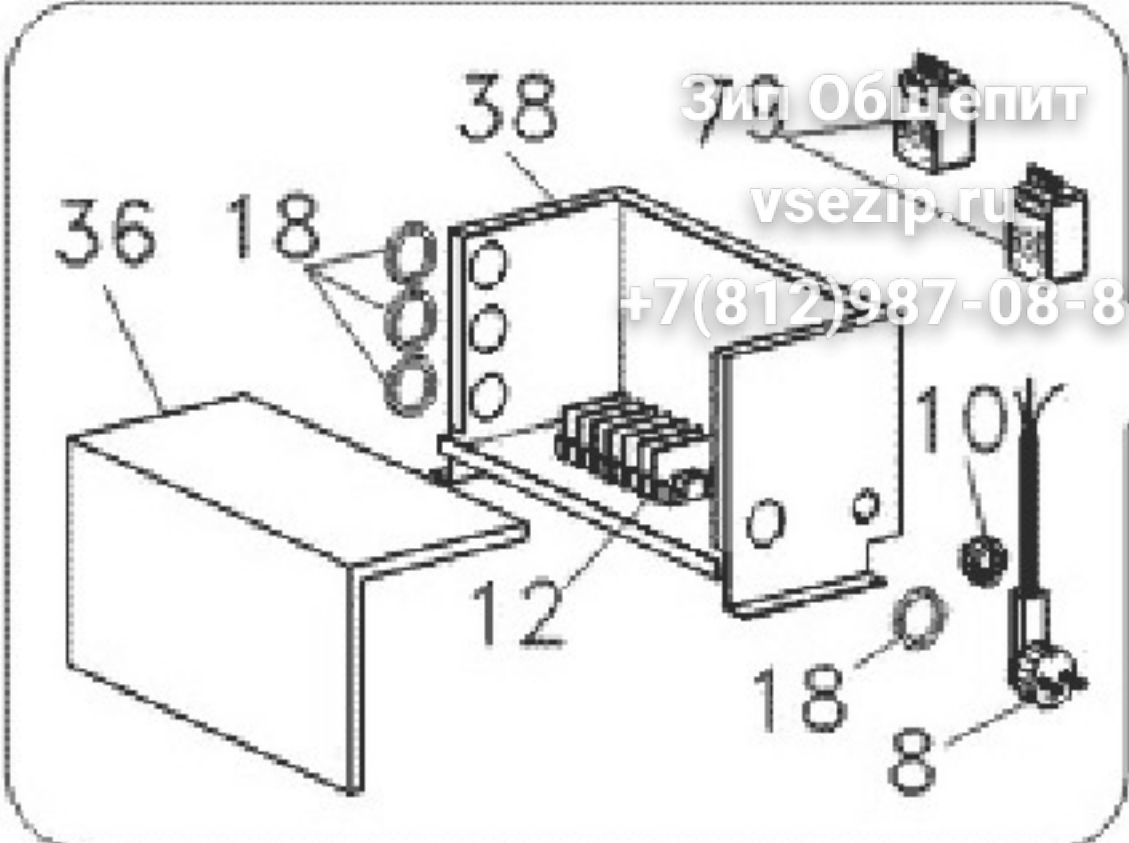
**120NN**

**Edition 20030709-**

Зип Общепит

vsezip.ru

+7(812)987-08-81



| Pos | Code    | Description                | Info        |
|-----|---------|----------------------------|-------------|
| 002 | 3178300 | PLUG                       | 01/01/1996- |
| 003 | 6011950 | DOOR UNIT                  | 15/12/2001- |
| 004 | 40K4290 | BODY                       | 01/01/1996- |
| 005 | 30F1000 | FRIDGE DOOR                | 15/12/2001- |
| 006 | 3AT1150 | FOOT HOUSING               | 10/03/1997- |
| 007 | 30T5810 | BOTTOM BRACKET             | 01/01/1996- |
| 008 | 32A2200 | POWER SUPPLY CABLE         | 16/05/1997- |
| 009 | 36Z0490 | ENGINE CUTOUT              | 30/03/2001- |
| 010 | 32D0680 | CABLE CLAMP                | 01/01/1996- |
| 011 | 32D0710 | THREE-POLE CONNECTOR       | 01/01/1996- |
| 012 | 32D0761 | TERMINAL BOARD             | 28/07/1997- |
| 013 | 32M5920 | TANGENTIAL FAN             | 23/11/1998- |
| 014 | 32M1080 | FAN                        | 04/08/1999- |
| 015 | 32M6870 | FAN MOTOR                  | 05/12/2001- |
| 016 | 32W2331 | BIPOLAR SWITCH             | 30/03/2001- |
| 017 | 32W3190 | PILOT-LIGHT 1-POLE SWITCH  | 01/01/1996- |
| 018 | 32X0120 | GROMMET Ø 21               | 01/01/1996- |
| 019 | 32X0140 | GROMMET Ø13,5-Ø25          | 01/01/1996- |
| 020 | 32V1490 | CONDENSER                  | 04/08/1999- |
| 022 | 32Z2750 | COIL                       | 01/01/1996- |
| 023 | 32V4990 | DIGITAL THERMOREGULATOR    | 30/03/2001- |
| 024 | 32Z6350 | PRESSURE-SWITCH            | 04/08/1999- |
| 025 | 6006350 | ELECTRONIC THERMOMETER     | 20/06/1997- |
| 026 | 32V1260 | RELAY                      | 04/08/1999- |
| 027 | 32V1410 | ENGINE CUTOU               | 04/08/1999- |
| 028 | 33A0510 | DEFROST SOL. VALVE         | 01/01/1996- |
| 029 | 33A1200 | AUXIL.VALVE                | 01/01/1996- |
| 030 | 33A0180 | FILTER                     | 01/01/1996- |
| 031 | 34D0360 | ROLL BOND EVAP. 1335 X 430 | 01/01/1996- |
| 032 | 34D7300 | CONDENSER                  | 04/08/1999- |
| 033 | 34D7860 | MOTOR UNIT                 | 04/08/1999- |
| 034 | 34D6520 | COMPRESSOR                 | 04/08/1999- |
| 035 | 35D7340 | DRAIN GUARD                | 01/01/1996- |
| 036 | 35G6350 | COVER                      | 01/01/1996- |
| 037 | 35G6630 | MOTOR ROOM HEAD            | 01/01/1996- |
| 038 | 35Q2660 | PANEL BOARD                | 01/01/1996- |
| 039 | 35Q6770 | FRIDGE FAN GUARD           | 01/01/1996- |
| 040 | 35S3050 | TRAY SLIDE                 | 01/01/1996- |
| 041 | 35T4850 | FAN SUPPORT                | 01/01/1996- |
| 042 | 35T5060 | RACK SUPPORT               | 01/01/1996- |
| 043 | 35V0880 | STIFFENING                 | 01/01/1996- |
| 044 | 35V1010 | CONTROL BOARD C            | 30/03/2001- |
| 045 | 35V1710 | TRAY TRIM                  | 01/01/1996- |
| 046 | 35V2270 | STIFFENING                 | 01/01/1996- |
| 047 | 35W3360 | FLUID TANK                 | 01/01/1996- |
| 048 | 35W4350 | TRAY ASS.Y                 | 01/01/1996- |
| 049 | 35X1730 | DRAIN PIPE                 | 01/01/1996- |
| 050 | 36A3010 | GRID 600                   | 01/01/1996- |
| 051 | 36D3940 | FRAME BORDER               | 01/01/1996- |
| 052 | 36D1270 | TRIM FRAME                 | 01/01/1996- |
| 053 | 36D1290 | TRIM FRAME                 | 01/01/1996- |

| Pos | Code    | Description         | Info        |
|-----|---------|---------------------|-------------|
| 054 | 36D7100 | CONDENS. DRAIN      | 01/01/1996- |
| 055 | 36D8800 | SPACER              | 01/01/1996- |
| 056 | 36C3940 | ST-STEEL FO         | 22/07/1999- |
| 057 | 36D9490 | TOP BRACKET         | 01/01/1996- |
| 058 | 36D9980 | TOP HANDLE GUARD    | 01/01/1996- |
| 059 | 36D9990 | BOTTOM HANDLE GUARD | 01/01/1996- |
| 060 | 36G6520 | HINGE               | 01/01/1996- |
| 062 | 36Q1200 | PLUG                | 01/01/1996- |
| 063 | 36Z0300 | COND. TRAY          | 01/01/1996- |
| 064 | 36Z6401 | CONTROL BOARD       | 09/07/2003- |
| 065 | 36Z6410 | COMPONENT GUARD     | 30/03/2001- |
| 066 | 37Q2590 | DOOR GASKET         | 01/01/1996- |
| 067 | 3AA4290 | CONTROL BOARD       | 30/03/2001- |
| 068 | 30D4130 | INTERMEDIATE PANEL  | 01/01/1996- |
| 069 | 3600770 | SPACER              | 01/01/1996- |
| 072 | 32W1320 | MICROSWITCH         | 01/01/1996- |
| 073 | 35G6520 | COVER               | 01/01/1996- |
| 074 | 35Q7350 | MICROSWITCH GUARD   | 01/01/1996- |
| 075 | 35V0890 | LOCK SUPPORT        | 01/01/1996- |
| 076 | 36C2020 | FAN GUARD           | 04/08/1999- |
| 077 | 32W2990 | LIGHT SWITCH        | 30/03/2001- |
| 078 | 32W2070 | SINGLE-POLE SWITCH  | 30/03/2001- |
| 079 | 32Z4910 | RELAY               | 30/03/2001- |