

Зип Общепит

vsezip.ru

+7(812)987-08-81



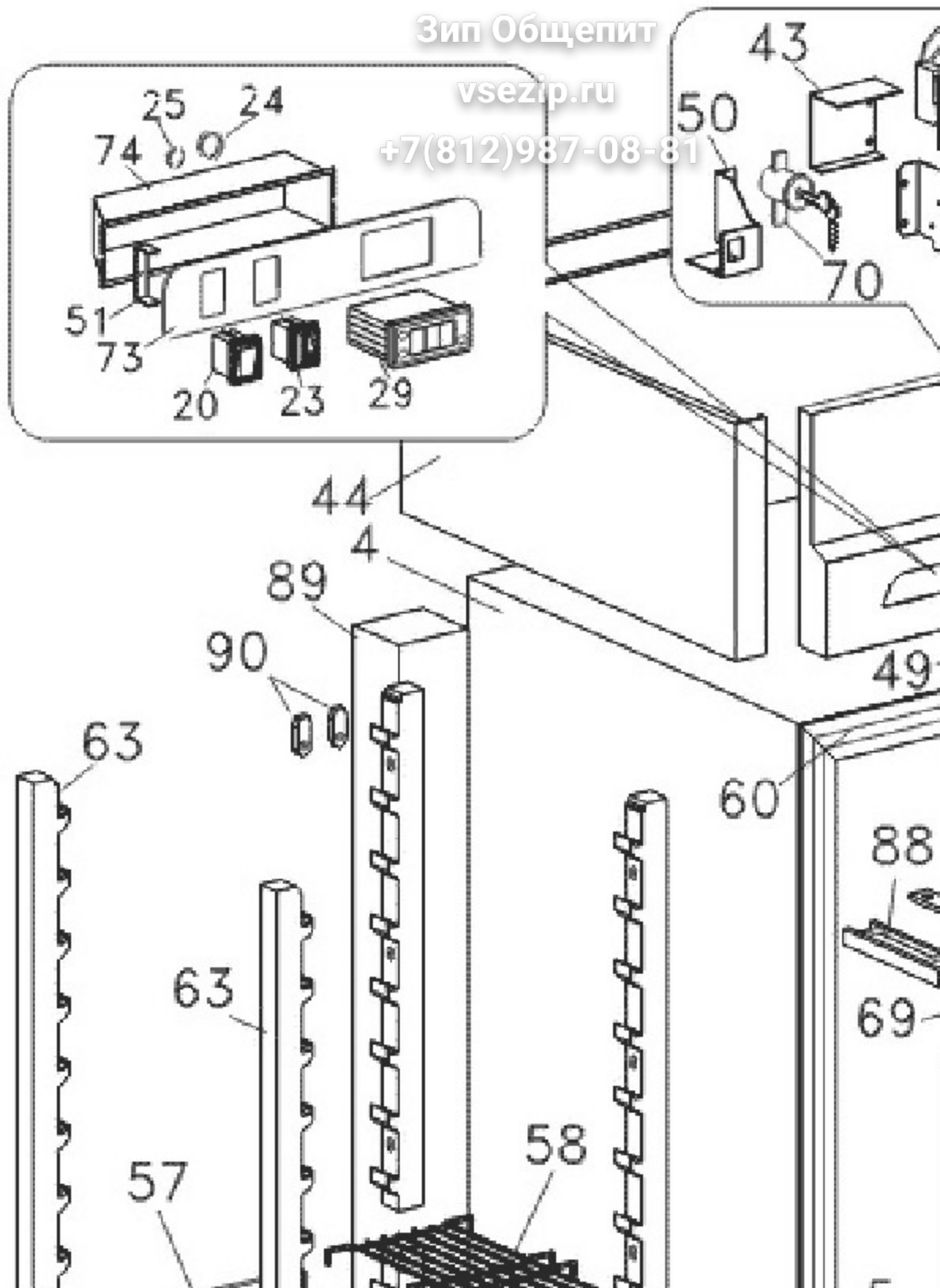
**135**

**Edition 20030709-**

Зип Общепит

vsezip.ru

+7(812)987-08-81



Pos	Code	Description	Info
002	3178300	PLUG	01/01/1996-
003	36E2790	CONDENS. DRAIN	19/06/2001-
004	40K4200	BODY	01/01/1996-
005	30F1000	FRIDGE DOOR	15/12/2001-
006	30Q2400	LAMP GUARD	01/01/1996-
007	3AT1150	FOOT HOUSING	10/03/1997-
008	30T5810	BOTTOM BRACKET	01/01/1996-
009	32A2200	POWER SUPPLY CABLE	16/05/1997-
010	36Z0490	ENGINE CUTOUT	16/07/1999-
011	32D0020	CABLE CLAMP Ø 4 - 12	16/07/1999-
012	32D0710	THREE-POLE CONNECTOR	01/01/1996-
013	32D0740	TERMINAL BOARD	16/07/1999-
014	32G1810	HEATING ELEMENT	01/01/1996-
015	32M1080	FAN	01/01/1996-
016	32M1080	FAN	01/01/1996-
017	32M4041	MOTOR	02/07/1996-
018	32M4041	MOTOR	20/11/1996-
019	32W1320	MICROSWITCH	01/01/1996-
020	32W2331	BIPOLAR SWITCH	01/01/1996-
021	32W2350	LAMP	01/01/1996-
022	32W2360	LAMP-HOLDER	01/01/1996-
023	32W3190	PILOT-LIGHT 1-POLE SWITCH	01/01/1996-
024	32X0120	GROMMET Ø 21	01/01/1996-
025	32X0340	GROMMET	01/01/1996-
026	32V1420	CONDENSER	16/04/1999-
027	32Z2750	COIL	01/01/1996-
029	32V2520	DIGITAL THERMOREGULATOR	16/07/1999-
031	32V1290	RELAY	16/04/1999-
032	32V1450	ENGINE CUTO	16/04/1999-
033	33A1200	AUXIL.VALVE	01/01/1996-
034	33A0180	FILTER	14/06/1996-
035	34D7300	CONDENSER	16/04/1999-
036	34D6760	COMPRESSOR	16/04/1999-
037	34D2610	EVAPORATOR	01/01/1996-
038	34D7290	MOTOR UNIT	16/04/1999-
039	35B9510	CENTRAL EVAP. GUARD	01/01/1996-
040	35P0950	RIGHT EVAP. GUARD	15/06/1998-
041	35P0960	LEFT EVAP. GUARD	15/06/1998-
042	36E0980	PANEL-BOARD COVER	16/07/1999-
043	35G6520	COVER	01/01/1996-
044	35G6560	MOTOR ROOM HEAD	01/01/1996-
045	35R1560	SUPPORT	16/07/1999-
046	35Q7350	MICROSWITCH GUARD	01/01/1996-
047	35S3050	TRAY SLIDE	01/01/1996-
048	35V0360	GUARD SUPPORT	01/01/1996-
049	35V0880	STIFFENING	01/01/1996-
050	35V0890	LOCK SUPPORT	01/01/1996-
051	35V1010	CONTROL BOARD C	16/07/1999-
053	35V1710	TRAY TRIM	01/01/1996-
054	35V2270	STIFFENING	01/01/1996-
055	35V2940	FAN SUPPORT	01/01/1996-

Pos	Code	Description	Info
056	35W4350	TRAY ASS.Y	01/01/1996-
057	36A0710	GRID	06/12/1997-
058	36A3660	UNION GRID	01/01/1996-
059	36D1250	TRIM FRAME	01/01/1996-
060	36D1270	TRIM FRAME	01/01/1996-
061	36D1290	TRIM FRAME	01/01/1996-
062	36C3940	ST-STEEL FO	22/07/1999-
063	36D9470	RACK	01/01/1996-
064	36D9480	LOCK BRACKET	01/01/1996-
065	36D9490	TOP BRACKET	01/01/1996-
066	36D9921	SPACER	01/01/1996-
067	36D9980	TOP HANDLE GUARD	01/01/1996-
068	36D9990	BOTTOM HANDLE	01/01/1996-
069	36G6520	GUARD HINGE	01/01/1996-
070	36M0140	KEY LOCK	01/01/1996-
072	36Z0300	COND. TRAY	01/01/1996-
073	36Z6401	CONTROL BOARD	09/07/2003-
074	36Z6410	COMPONENT GUARD	16/07/1999-
075	36Z6441	PLASTIC-COATED TRAY 860X432X85	01/01/1996-
076	37M4740	LAMP PANEL	01/01/1996-
077	37Q2590	DOOR GASKET	01/01/1996-
078	37Q7370	LAMP GASKET	01/01/1996-
079	3AA3520	CONTROL BOARD	16/07/1999-
080	36D7100	CONDENS. DRAIN	01/01/1996-
081	35X1640	DRAIN TRAP	11/05/1998-
082	36Q1400	PLUG	01/01/1996-
083	33A0510	DEFROST SOL. VALVE	01/01/1996-
084	6011950	DOOR UNIT	15/12/2001-
085	35V2120	RESISTOR FASTENER	01/01/1996-
086	35V2140	RESISTOR FASTENER	01/01/1996-
087	30T5950	CENTRAL RISER	01/01/1996-
088	3600770	SPACER	01/01/1996-
089	3AT1340	BACK RISER	14/07/1998-
090	36G5251	RACK SUPPORT	21/05/1997-
093	36C2020	FAN GUARD	01/01/1996-
094	35X1550	DRAIN PIPE	11/05/1998-
095	32Z3470	TRANSFORMER	16/07/1999-
096	35X0920	DRAIN PIPE	01/01/1996-
097	35E2550	SUPPORT	19/06/2001-