

Зип Общепит

vsezip.ru

+7(812)987-08-81



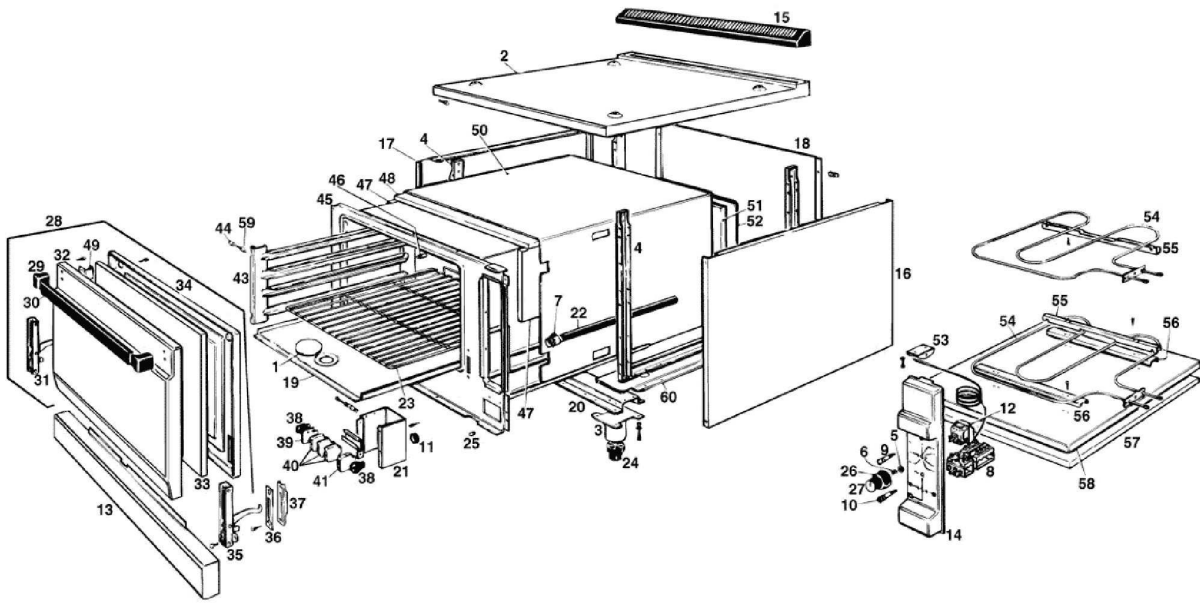
FS30E

Edition 20070523-

Зип Ощепит

vsezip.ru

+7(812)987-08-81



| Pos | Code | Description | Info |
|-----|---------|-------------------------|-------------|
| 001 | 30D1260 | OVEN PLATE HOLE COVER | 01/09/1993- |
| 002 | 30G1040 | OVEN COVER ASS. Y | 01/09/1993- |
| 003 | 30T1741 | FOOT HOUSING ASS. Y | 01/09/1993- |
| 004 | 30T2110 | SIDE FRAME ASS. Y | 01/09/1993- |
| 005 | 3150790 | THERMOSTAT PROTECT. | 01/09/1993- |
| 006 | 3170290 | KNOB SPRING | 01/09/1993- |
| 007 | 32D0510 | JOINT 3/4" | 01/09/1993- |
| 008 | 32W1440 | SWITCH | 01/09/1993- |
| 009 | 3106710 | GREEN LIGHT 230V | 23/05/2007- |
| 009 | 6300652 | GREEN LIGHT 400V ASS.Y | 23/05/2007- |
| 010 | 3106730 | ORANGE LIGHT 230V | 23/05/2007- |
| 010 | 6300651 | ORANGE LIGHT 400V ASS.Y | 23/05/2007- |
| 011 | 32X0120 | GROMMETØ 21 | 01/09/1993- |
| 012 | 32Z2560 | THERMOSTAT 50-300° C | 01/09/1993- |
| 013 | 35A8100 | LOWER FRONT PANEL | 01/09/1993- |
| 014 | 35A8500 | SIDE CONTROL BOARD | 01/09/1993- |
| 015 | 35A9090 | FLUE GUARD | 01/09/1993- |
| 016 | 35B0170 | RH PANEL | 01/09/1993- |
| 017 | 35B0180 | LH PANEL | 01/09/1993- |
| 018 | 35B0190 | REAR PANEL | 01/09/1993- |
| 019 | 35D3100 | OVEN BOTTOM PLATE | 01/09/1993- |
| 020 | 35U3300 | ""OMEGA"" BRACKET" | 01/09/1993- |
| 021 | 35U3890 | TERM. BOARD SUPPORT | 01/09/1993- |
| 022 | 35U7610 | CABLE INLET PIPE | 01/09/1993- |
| 023 | 36A0990 | OVEN GRID | 01/09/1993- |
| 024 | 36D2760 | EXAGONAL FOOT SCREW | 01/09/1993- |
| 025 | 36G2050 | PIN | 01/09/1993- |
| 026 | 36M2620 | ELECTRIC CONTROL | 01/09/1993- |
| 027 | 36M2800 | KNOB KNOB PLATE | 01/09/1993- |
| 028 | 6000570 | OVEN DOOR ASS. Y | 01/09/1993- |
| 029 | 36M2910 | TERMINAL | 01/09/1993- |
| 030 | 36M2441 | HANDLE | 01/09/1993- |
| 031 | 36M2430 | LEFT HAND HINGE | 01/09/1993- |
| 032 | 35G1930 | OVEN DOOR | 01/09/1993- |
| 033 | 37Q1880 | INSULATING PANEL | 01/09/1993- |
| 034 | 35G1940 | INNER DOOR FRAME ASS. Y | 01/09/1993- |
| 035 | 36M2420 | RIGHT-HAND HINGE | 01/09/1993- |
| 036 | 35U3170 | FLAT BRACKET | 01/09/1993- |
| 037 | 36M0270 | HINGE CATCH | 01/09/1993- |
| 038 | 32D0060 | TERMINAL CLAMPING BOARD | 01/09/1993- |
| 039 | 32D0490 | TERMINAL END COVER | 01/09/1993- |
| 040 | 32D0470 | LIVE TERMINAL | 01/09/1993- |
| 041 | 32D0480 | GROUND TERMINAL | 01/09/1993- |
| 042 | 32D0500 | "C" BRACKET | 01/09/1993- |
| 043 | 30T1750 | TRAY RACK ASS. Y | 01/09/1993- |
| 044 | 36G3680 | BUSHING Ø 8 | 01/09/1993- |
| 045 | 30D1420 | ELECTRIC OVEN ASS. Y | 01/09/1993- |
| 046 | 36G2590 | PIN | 01/09/1993- |
| 047 | 37Q1930 | INSULATING PANEL | 01/09/1993- |
| 048 | 37Q1920 | INSULATING PANEL | 01/09/1993- |
| 049 | 35U3150 | ""C"" BRACKET" | 01/09/1993- |

| Pos | Code | Description | Info |
|-----|---------|-------------------------|-------------|
| 050 | 35D3041 | INS. PANEL COVERING | 01/09/1993- |
| 051 | 37Q1910 | INSULATING PANEL | 01/09/1993- |
| 052 | 35D3050 | INSULATION PANEL COVER | 01/09/1993- |
| 053 | 35U4210 | "U" BRACKET | 01/09/1993- |
| 054 | 32G0951 | HEATING EL. 2700W- 400V | 01/09/1993- |
| 054 | 32G1070 | HEATING EL. 415V | 01/09/1993- |
| 054 | 32G1220 | 2700W HEATING EL. | 01/09/1993- |
| 054 | 32G1450 | HEATING EL. 440V 2700W | 01/09/1993- |
| 055 | 35U4362 | "U" BRACKET | 01/09/1993- |
| 056 | 35U5891 | "U" BRACKET | 01/09/1993- |
| 057 | 37Q1950 | INSULATING PANEL | 01/09/1993- |
| 058 | 35Q5480 | LOWER INS. PANEL COVER | 01/09/1993- |
| 059 | 31V0140 | SCREW M6X12 | 01/09/1993- |
| 060 | 35Q6560 | "L" BRACKET | 01/09/1993- |
| 061 | 32Q1700 | EL. CABLES FES30 | 01/09/1993- |