

Зип Общепит

vsezip.ru

+7(812)987-08-81

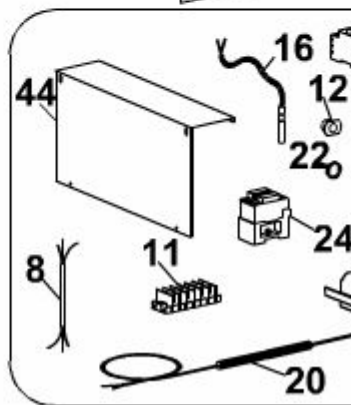
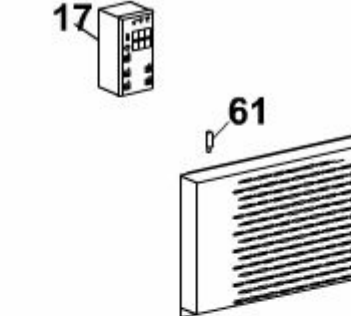
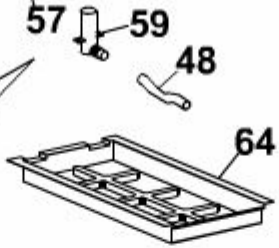
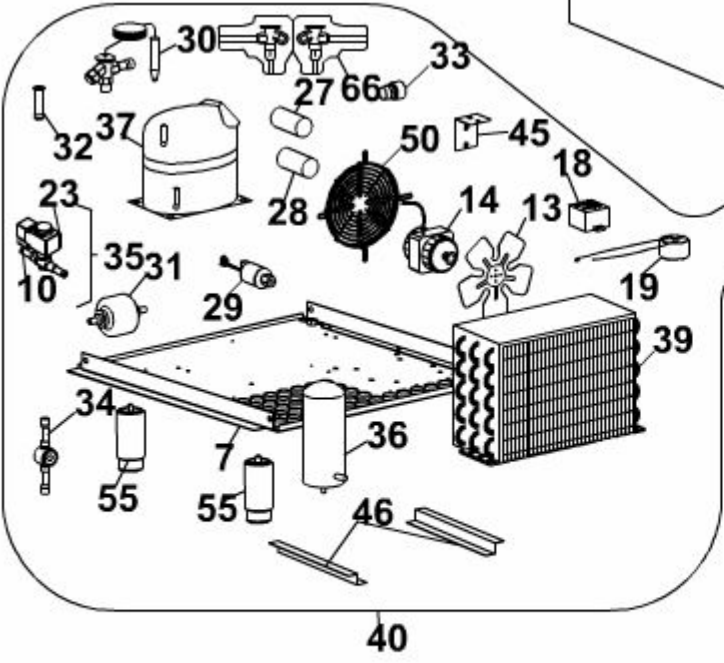
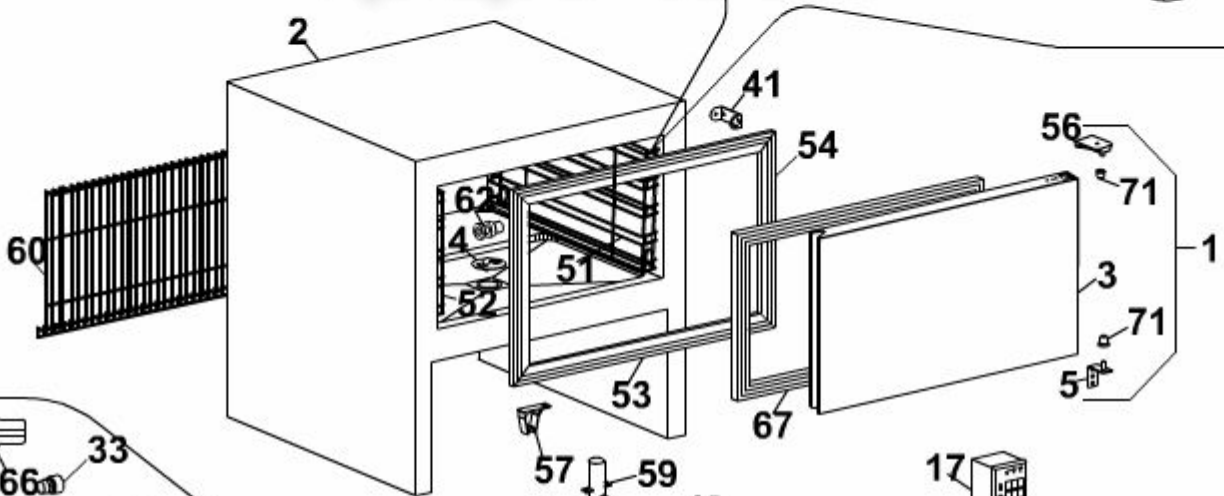
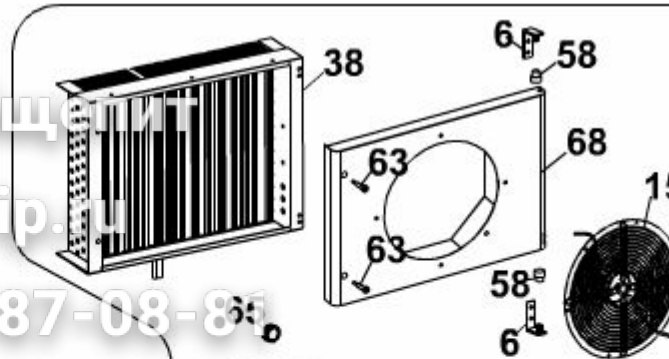


**ART1LD7**

**Edition 20041116-**

Зип Общедит  
vsezir.ru

+7(812)987-08-85



Pos	Code	Description	Info
001	6013470	DOOR UNIT	15/06/2002-
002	30D6350	FRAME	15/06/2002-
003	30G4090	DOOR ASS. Y	15/06/2002-
004	30G4180	PLUG	15/06/2002-
005	30T2680	BOTTOM BRACKET	15/06/2002-
006	30T2690	BRACKET	15/06/2002-
007	30W3920	TRAY X ASSEMBLY	15/06/2002-
008	32A2160	POWER SUPPLY CABLE	15/06/2002-
009	32D0220	CABLE CLAMP Ø 16	15/06/2002-
010	32D0710	THREE-POLE CONNECTOR	15/06/2002-
011	32D0750	TERMINAL BOARD	15/06/2002-
012	32D1350	CABLE CLAMP	15/06/2002-
013	32M2900	FAN	15/06/2002-
014	32M7160	FAN MOTOR	16/11/2004-
015	32M6850	FAN	15/06/2002-
016	32V0150	TEMP. PROBE	15/06/2002-
017	32V0171	ELECTRONIC CARD	15/06/2002-
018	32V0330	RELAY	15/06/2002-
019	32V0370	ENGINE CUTO	15/06/2002-
020	32V0441	PIN PROBE	15/06/2002-
021	32V5170	CONDENSER	15/06/2002-
022	32X0120	GROMMET Ø 21	15/06/2002-
023	32Z2750	COIL	15/06/2002-
024	32Z9250	SWITCH	15/06/2002-
025	32Z9500	FUSE-HOLDER	15/06/2002-
026	32Z9520	FUSE	15/06/2002-
027	32Z9580	CONDENSER	15/06/2002-
028	32Z9710	CONDENSER	15/06/2002-
029	32Z9910	PRESSURE-SWITCH	15/06/2002-
030	33A0280	THERMOST. VALVE	15/06/2002-
031	33A0350	FILTER	15/06/2002-
032	33A0840	BORE	15/06/2002-
033	33A1200	AUXIL.VALVE	15/06/2002-
034	33D0740	FLOW-ON LIGHT	15/06/2002-
035	33G0070	VALVE	15/06/2002-
036	33G1160	TRAY	15/06/2002-
037	34D5920	COMPRESSOR	15/06/2002-
038	34D8260	EVAPORATOR	15/06/2002-
039	34D9770	CONDEN.+BAFFLE	15/06/2002-
040	34E0360	MOTOR UNIT	15/06/2002-
041	35C6250	PROBE SUPPORT	15/06/2002-
042	35E2010	SUPPORT PANEL BOARD	15/06/2002-
043	35E5800	PANEL BOARD	15/06/2002-
044	35E5810	PROTECTION PANEL BOARD	15/06/2002-
045	35R1500	SUPPORT	15/06/2002-
046	35R9990	GUIDE	15/06/2002-
047	35S4540	"OMEGA" BRACKET	15/06/2002-
048	35X1640	DRAIN TRAP	15/06/2002-
049	35Y3790	PROTECTION MOTOR	15/06/2002-
050	36C2031	FAN GUARD	15/06/2002-
051	36C4010	RH RACK	15/06/2002-

Pos	Code	Description	Info
052	36C4020	LH RACK	15/06/2002-
053	36C4670	FRAME TRIM	15/06/2002-
054	36C4680	FRAME TRIM	15/06/2002-
055	36C5080	FOOT	15/06/2002-
056	36C5000	TOP BRACKET	15/06/2002-
057	36E0350	CABLE CAMP	15/06/2002-
058	36E0410	BUSHING	15/06/2002-
059	36E2380	CONDENS. DRAIN	15/06/2002-
060	36E2850	PROTECT GRID	15/06/2002-
061	36G9570	PIN	15/06/2002-
062	36G9810	PIN	15/06/2002-
063	36H1130	HANDLE	15/06/2002-
064	36Z0300	COND. TRAY	15/06/2002-
065	36Z0490	ENGINE CUTOFF	15/06/2002-
066	37B0520	SOL.VALVLE G	15/06/2002-
067	37Q4490	GASKET	15/06/2002-
068	3AA4280	EVAP. GUARD	15/06/2002-
069	3AA4690	FRONT PANNEL	15/06/2002-
071	36G8660	BUSHING	05/11/2003-