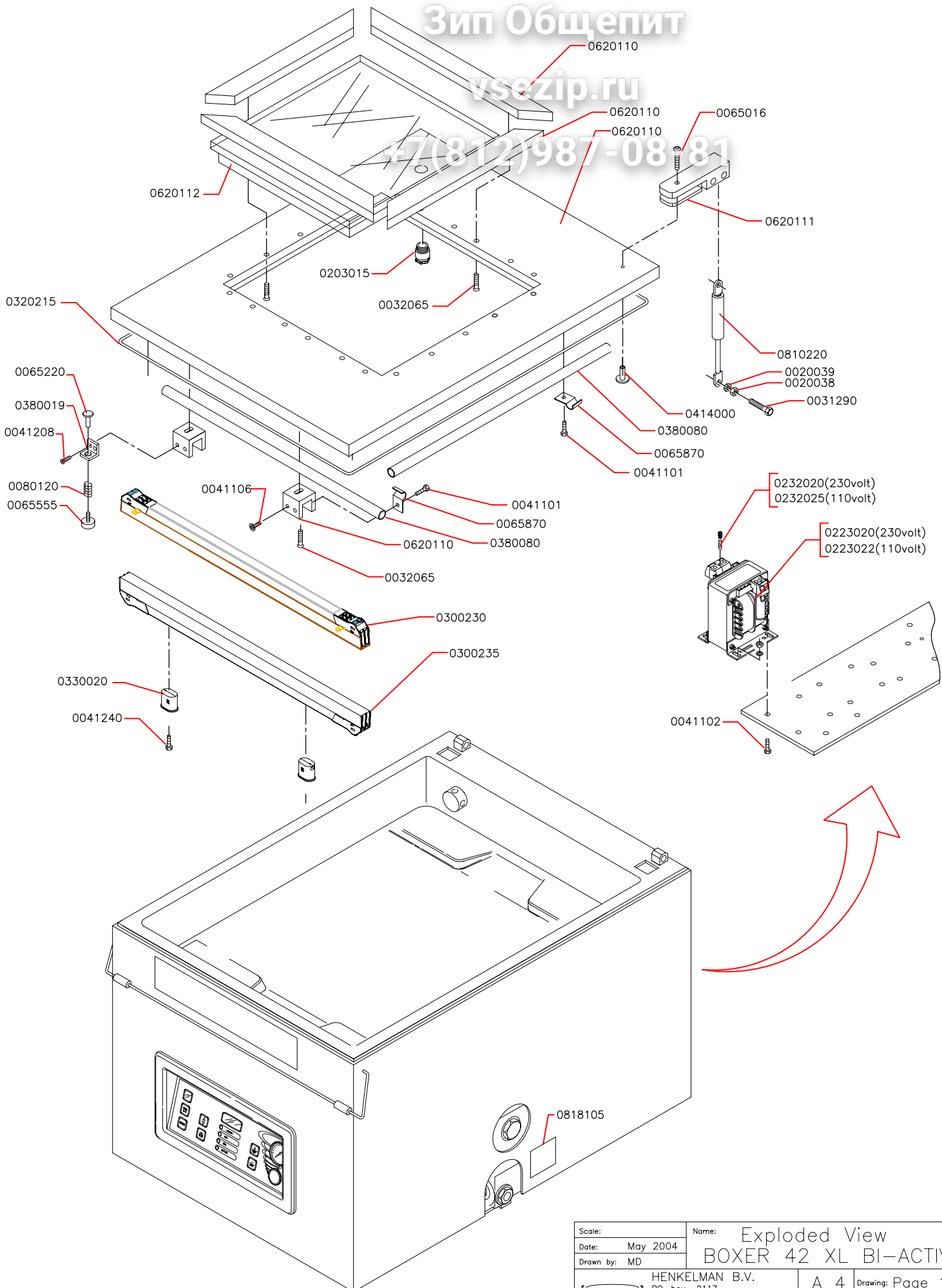


Зип Общепит

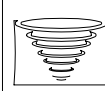
vsezip.ru

+7(812)987-08181



Scale:
Date: May 2004
Drawn by: MD

Name: Exploded View
BOXER 42 XL BI-ACTIVE



HENKELMAN B.V.
P.O. box 2117
5202 CC 's-Hertogenbosch
Tel. ++31(0)73 - 6213671
Fax ++31(0)73 - 6221318
The Netherlands

A 4 Drawing: Page 1-1
Rev, no: 02
Ownership explicitly reserved. Multiplication or information to third-parties in any form is not permitted without written permission of the owner.

Зип-Общепит

vsezip.ru

+7(812)987-08-81

0041209

0041208

0304476

0304475

0080150

0020300

0304454

0206720(Jumbo 35)

0206730(Jumbo 42)

0305505

0305020(5MM)

0305000

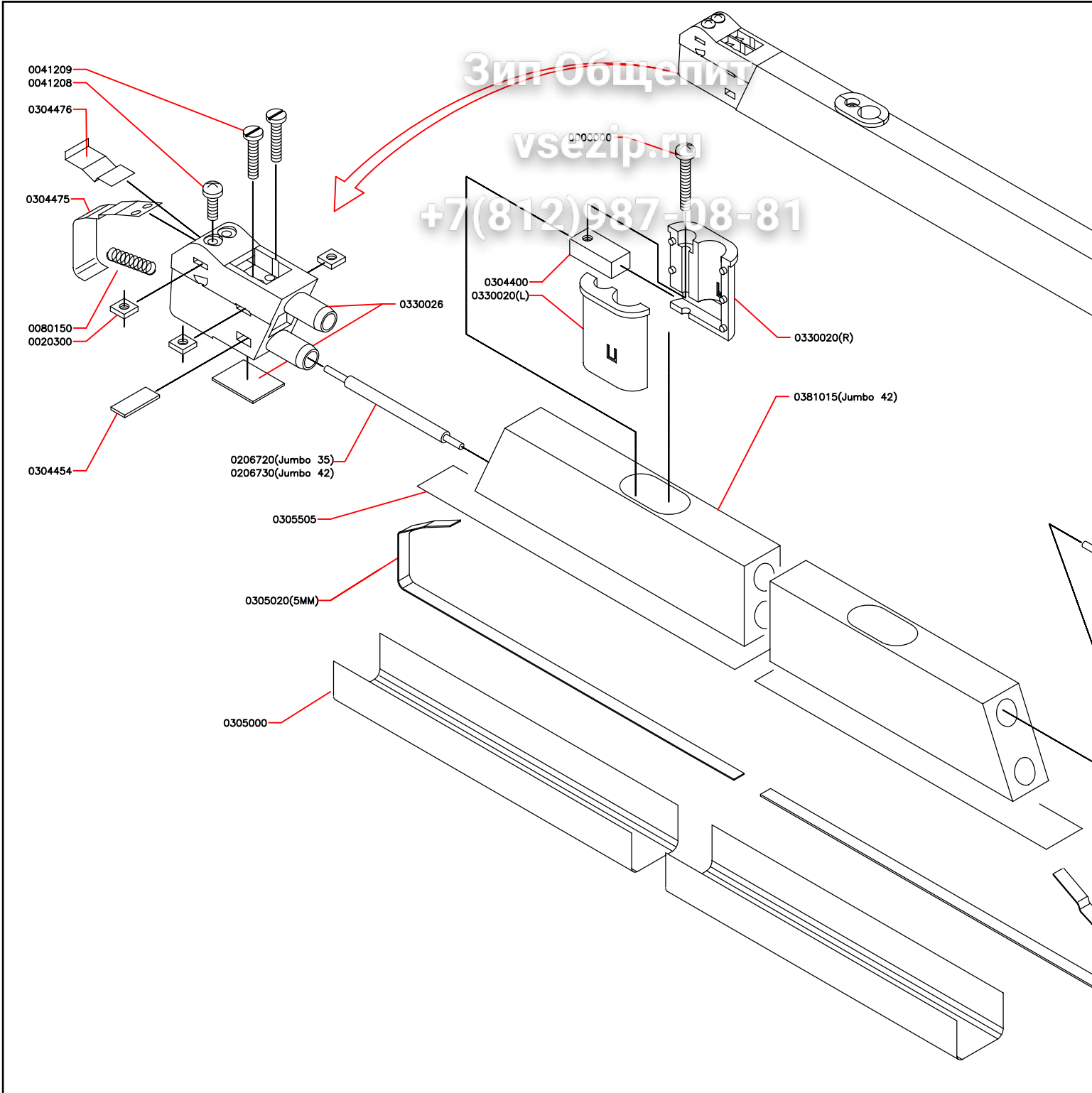
0330026

0304400

0330020(L)

0330020(R)

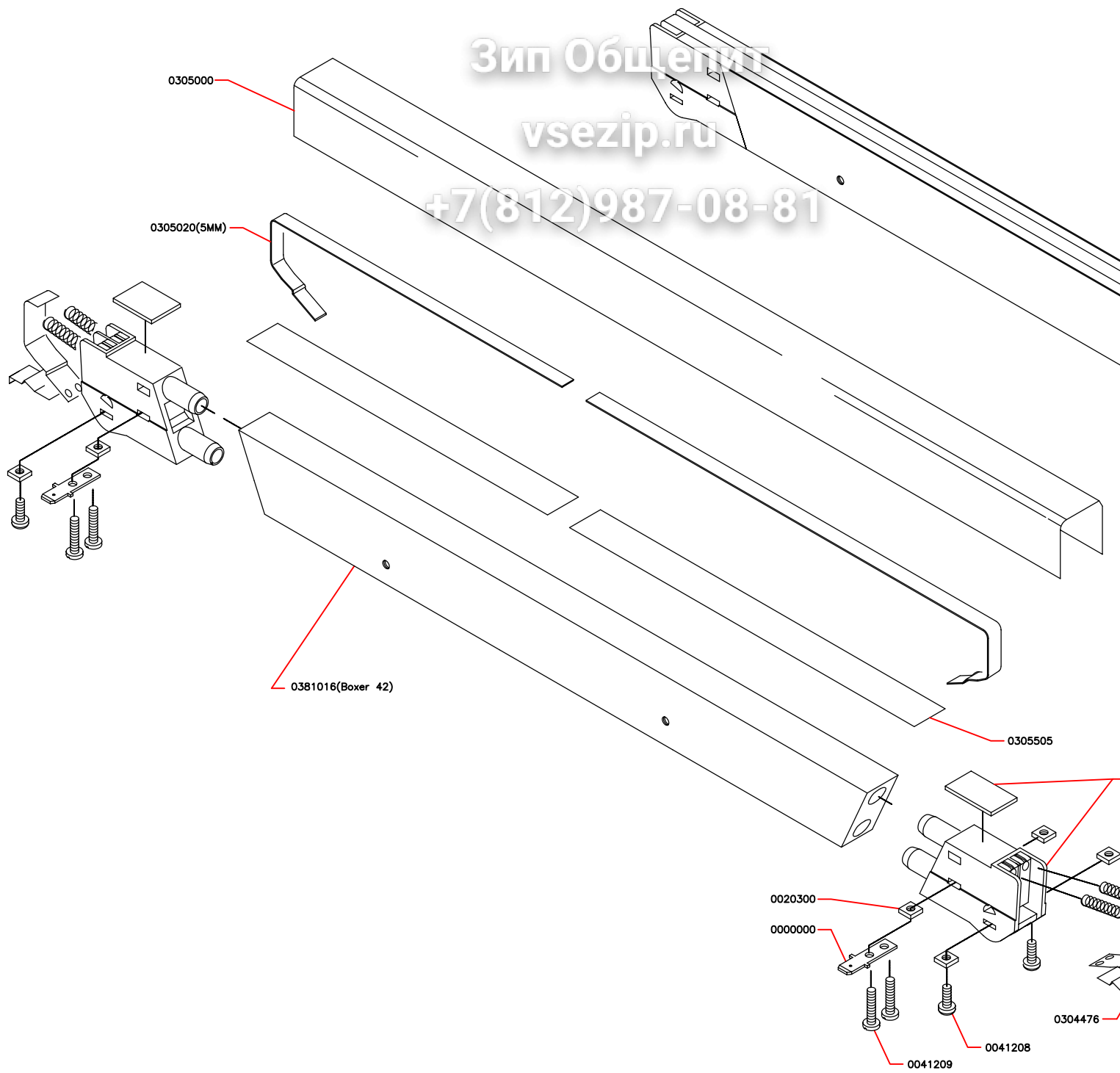
0381015(Jumbo 42)



Зип Общедоступ

vsezip.ru

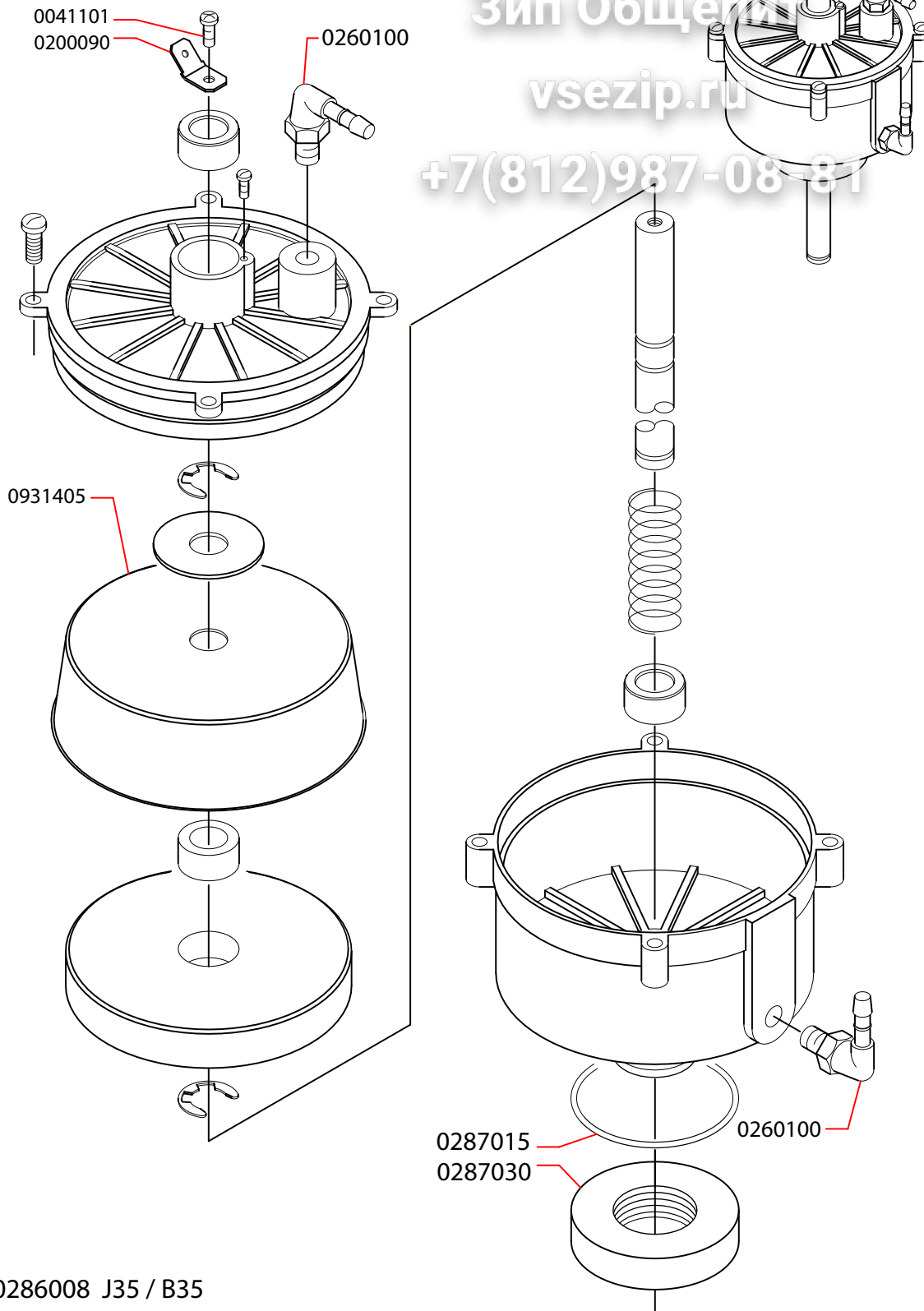
+7(812)987-08-81



Зип Общедо



vsezip.ru

+7(812)987-08-81



0286008 J35 / B35

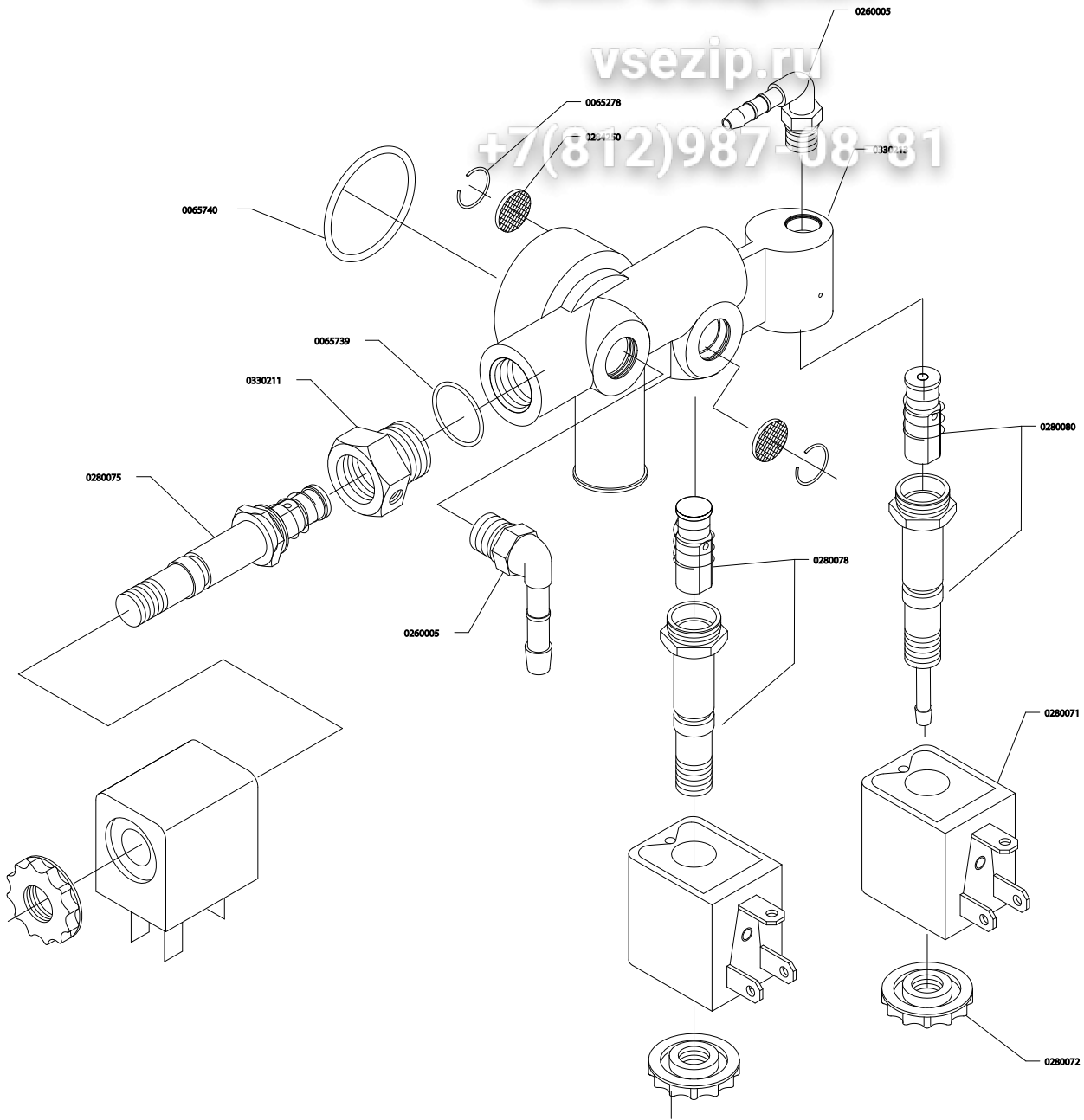
0286010 J42 / B42 XL
M42 XL
M90



Scale:	Name: Exploded View
Date: April 2004	Seal cilinder Boxer 42
Drawn by: MD	
	HENKELMAN B.V. P.O. box 2117 5202 CC 's-Hertogenbosch Tel. ++31(0)73 - 6213671 Fax ++31(0)73 - 6221318 The Netherlands
A 4	Drawing: Page 1-1
	Rev.01
<small>Overname expliciet voorbehoud. Multiplicatie of informatie te koop, anderszins in welke vorm ook, is niet toegestaan zonder schriftelijke toestemming van de afzender.</small>	

Зип Общепит

vsezip.ru

+7(812)987-08-81

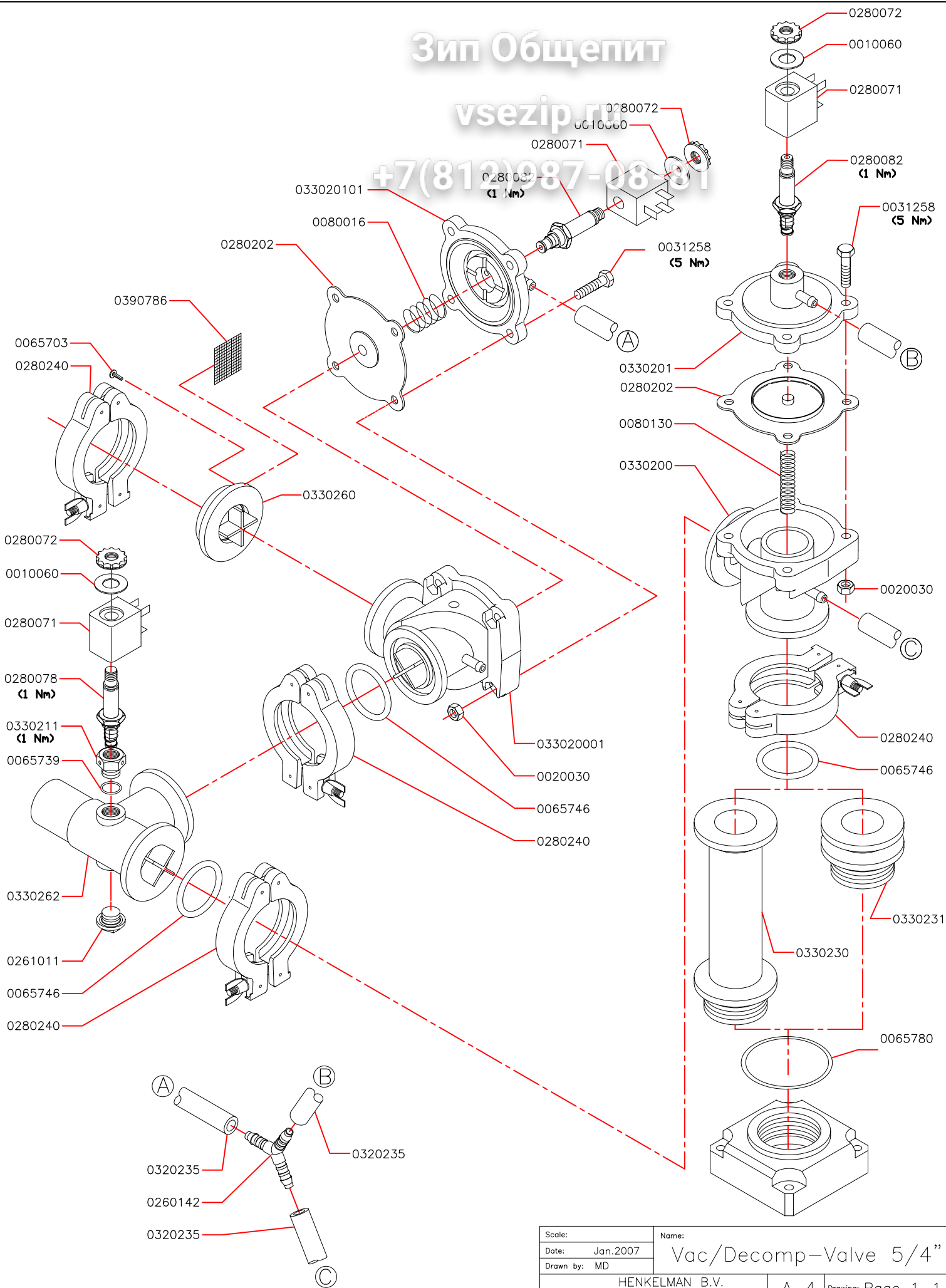



Scale:	Name:	Exploded View	
Date:	June 2007	Valve Unit Boxer	
Drawn by:	MD		
	HENKELMAN B.V.		
	P.O. box: 2117		
	5302 CC 's-Hertogenbosch		
	Tel: ++31(0)79 - 6213671		
Fax: ++31(0)79 - 6213118			
The Netherlands			
		A 4	Drawings: Page 1-1
<small>Consistent quality control. Manufacture or assembly of this product is not done in our factory unless under contract of the name.</small>		Rev.02	

Зип Ощепит

vsezip.ru

+7(812)987-08-81

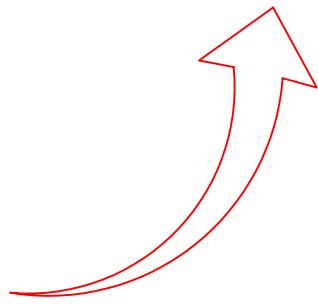
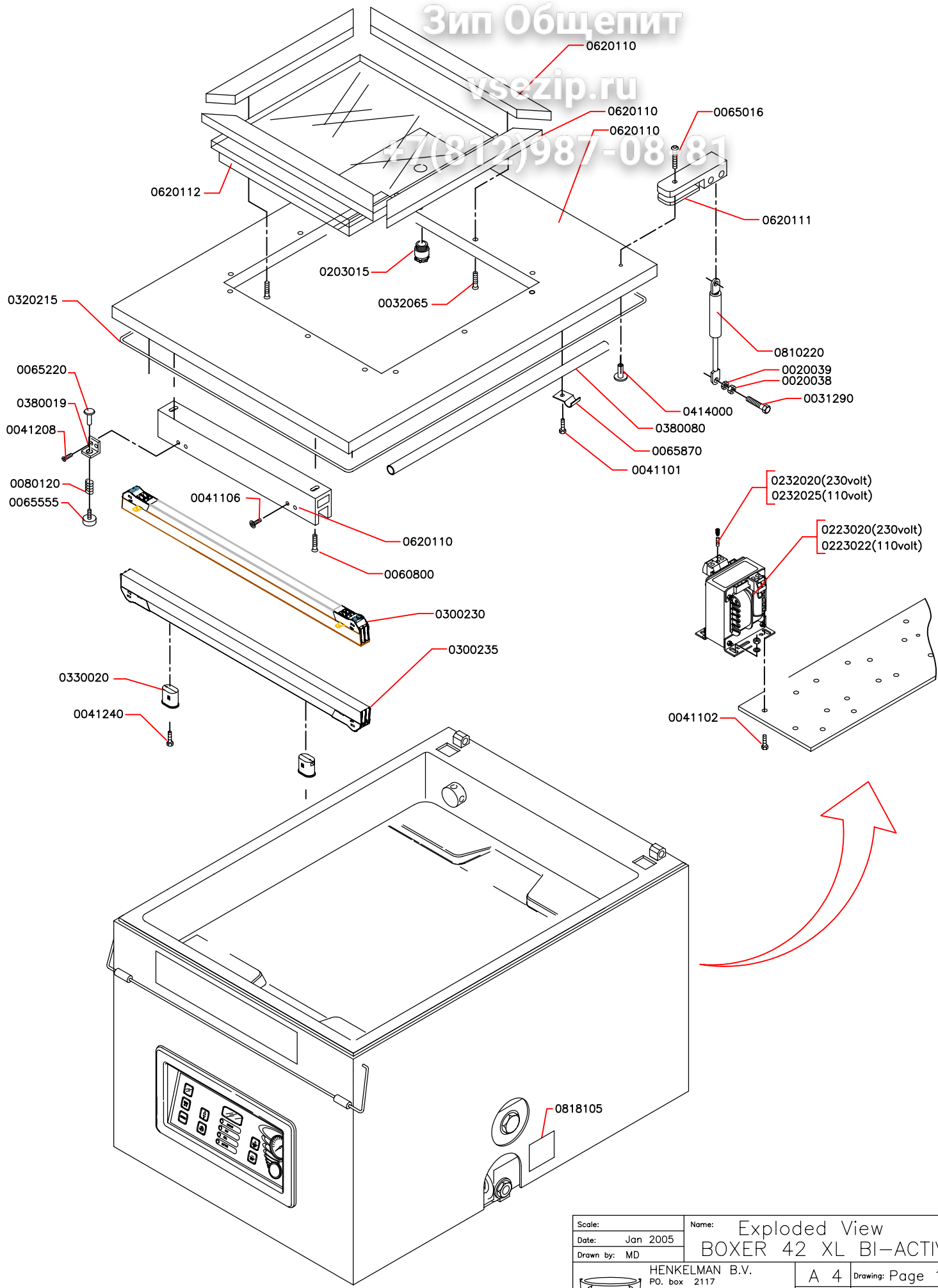


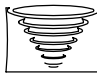
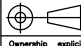
Scale:	Name:
Date: Jan.2007	Vac/Decomp-Valve 5/4"
Drawn by: MD	
 HENKELMAN B.V. P.O. box 2117 5202 CC 's-Hertogenbosch Tel. ++31(0)73 - 6213671 Fax ++31(0)73 - 6221318 The Netherlands	A 4 Drawing: Page 1-1 <small>Ownership explicitly reserved. Multiplication or information to third parties in any form is not permitted without written permission of the owner.</small>

Зип Общепит

vsezip.ru

+7(812)987-08181



Scale:	Name: Exploded View
Date: Jan 2005	BOXER 42 XL BI-ACTIVE
Drawn by: MD	
	HENKELMAN B.V. P.O. box 2117 5202 CC 's-Hertogenbosch Tel. ++31(0)73 - 6213671 Fax ++31(0)73 - 6221318 The Netherlands
A 4	Drawing: Page 1-1
	Rev, no: 03
<small>Ownership explicitly reserved. Multiplication or information to third parties in any form is not permitted without written permission of the owner.</small>	