

Зип Общепит

vsezip.ru

+7(812)987-08-81

DISHWASHER

ELECTROMECHANICAL SWITCHES
LOWER WASHING

TYPE: 100U

Accessories

DVGW

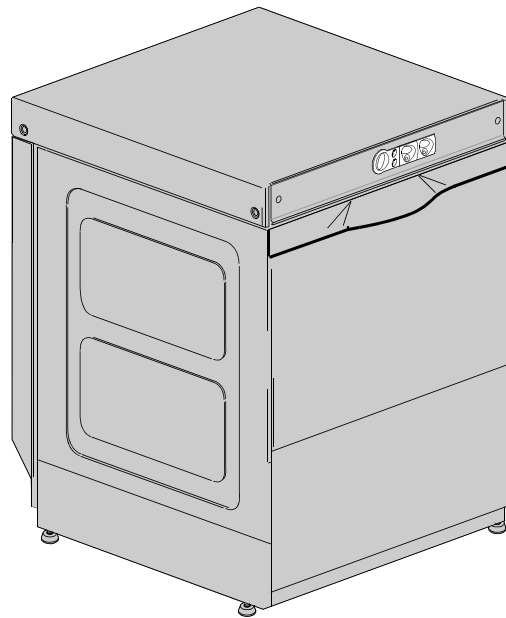
COLD RINSE

WATER SOFTNER

DETERGENT DISPENSER

DRAIN PUMP

Spare Parts Manual



INFORMAZIONI GENERALI

Questo catalogo serve per richiedere con esattezza le parti di ricambio

Nelle ordinazioni indicare:

- 1) il numero dei codici dei particolari seguito dalla descrizione e la quantità desiderata;
- 2) Il codice alfa-numerico presente nella seconda colonna della tabella ;

I disegni delle parti di ricambio sono solo indicativi e non rappresentano il pezzo in oggetto.

I dati contenuti in questo catalogo sono indicativi e possono essere soggetti a modifiche senza impegno di preavviso.

ALLGEMEINE INFORMATIONEN

Dieser Ersatzteilkatalog dient zur genauen Angabe der Teile bei Ersatzteilbestellungen.

Bei Ersatzbestellung ist folgendes anzugeben:

- 1) Die Bestellnummer der Ersatzteile mit der entsprechenden Beschreibung genaue Menge;
- 2) Der alpha-numerischer Code auf der zweiten Reihe in dein Schuld;

Die Zeichnungen der Ersatzteile sind nur als Hinweise gedacht und stellen nicht das betroffene Teil dar.

Bei den im Katalog angeführten Daten handelt es sich um Anhaltsdaten, die jederzeit, ohne Vorankündigung, geändert werden können.

GENERAL INFORMATION

The present spare parts order exactly the right spare parts

When ordering specify:

- 1) the part's code number followed by its description and quantity needed;
- 2) The alpha-numeric code is in the second column in the chart;

Spare parts drawings are general and do not represent the part.

The contents of this catalogue are general and can undergo changes without prior notice.

INFORMACIONES GENERALES

El presente catálogo sirve para pedir con exactitud las partes de repuesto

En los pedidos se debe indicar:

- 1) el número de código de la parte y a continuación la descripción cantidad deseada;
- 2) El código alfanumerico presente en la segnada columna de la tabla;

Los diseños de las partes de recambio son solo indicativos y no representan la pieza en cuestión.

Los datos contenidos en el presente catálogo son indicativos y pueden modificarse sin aviso previo.

INFORMATIONS GENERALES

Ce catalogue permet de commander correctement les pièces détachées

Les commandes doivent être passées en indiquant:

- 1) le numero de code des pièces détachées suivi de leur description quantité désirée;
- 2) le code alphanumérique dans la deuxième colonne du tableau;

Les plans des pièces détachées sont fournis seulement à titre indicatif et ne représentent pas la pièce concernée.

Les données de ce catalogue sont citées seulement à titre indicatif et peuvent être l'objet de modifications sans avis préalable.

**ESEMPIO
EXAMPLE
EXEMPLE
BEISPIEL**

Rif.	Codici
MODULE:Particolari	
10505	540903
10510	540908
10515	15065/A
10520	540086
10525	540028

Note

Tutte le informazioni riportate si intendono aggiornate alla data di stampa. Il Produttore si riserva il diritto di apportare qualsiasi modifica richiesta dallo sviluppo evolutivo dei suddetti prodotti.

Per la sicurezza ,la garanzia, l'affidabilità ed il valore della lavastoviglie usa solo ricambi originali. **Per alcuni codici, sono richieste quantità minime d'ordine.**

Attenzione

Questo libretto è parte integrante della lavastoviglie e, in caso di passaggio di proprietà, deve essere consegnato al nuovo acquirente.

Remarque

Toutes les informations contenues dans ce manuel s'entendent mises à jour à la date d'impression. En raison du développement constant de ses produits, usine se réserve le droit d'apporter à tout instant les modifications qu'elle jugera utiles.

Pour la sécurité, la garantie, la fiabilité et la valeur de votre lavevaisselles n'utilisez que des pièces de rechange d'origine. **Pour quelque référence on demande un minimum de pièces par commande**

Attention

Ce manuel doit être considéré comme partie intégrante de la lavevaisselles, en cas de transfert de propriété, doit toujours être remis au nouveau propriétaire.

Note

The information contained herein is valid at the time of going to print. The Company reserves the right to make any changes required by the future development of the above-mentioned products.

For your safety, as well as to preserve the warranty reliability and worth of your dishwashers , use original spare parts only. **For some codes a minimum quantity for order is required.**

Warning

This manual forms an integral part of the dishwashers and - if a transfer of title occurs - must always be handed over to the new owner.

Hinweis

Die Der Hersteller behält sich das Recht vor, jegliche, durch eine Weiterentwicklung der genannten Produkte bedingte Änderungen vornehmen zu können.

Verwenden Sie für Ihre Sicherheit, die Garantie, die Zuverlässigkeit und den Wert Ihrer machine originale Ersatzteile. **Für bestimmte Code nummer werden mindesten bestellungen verlangt.**

Achtung

Diese Betriebsanleitung ist Bestandteile des machine und muss bei seinem Weiterverkauf dem neuen Besitzer ausgehändigt werden.

vsezip.ru
+7(812)987-08-81

Code DW 999XYYYY **CL/Part**

Model DESCRIPTION

S/N DW A 1015770 **Type**

400V 3N 50HZ 8A
3500W 500W

IPX3 16A

Pressione Dinamica alimentazione idrica **200-500 kPa**

Pression dynamique arrivée d'eau

Dynamic pressure water supply

Dynamischer Druck asserreinlauf

Pressione dinamica vapore saturo

Pression dynamique vapore satueèè

Dymanischer Druck gesattigter Dampf

Pression Dinamica Vapor Saturado

TECHICAL SPECIFICATION

MADE IN ITALY

Temperatura massima acqua in ingresso **60°C**

Temperature max eau a l'entre

Maximale Temperatur Wasseranschlü

Maximum Water temperature in-feeding

Model

S/N



Spare parts

Зип Общепит

vsezip.ru

+7(812)987-08-81

vsezip.ru

+7(812)987-08-81

1. Spare parts

General body parts.....	9
Lockup system	11
Control panel and switches.....	13
Electric control components.....	15
Solenoid valve group	17
Solenoid valve group	19
DVGW valve	21
Water softner group.....	23
Rinse aid dispenser group.....	25
3 ways connection	27
4 ways connection	29
Wash pump	31
Dosing detergent group.....	33
Drain pump group.....	35
Pressure switch group with air trap ...	37
Turret group with rotating arms	39

vsezip.ru

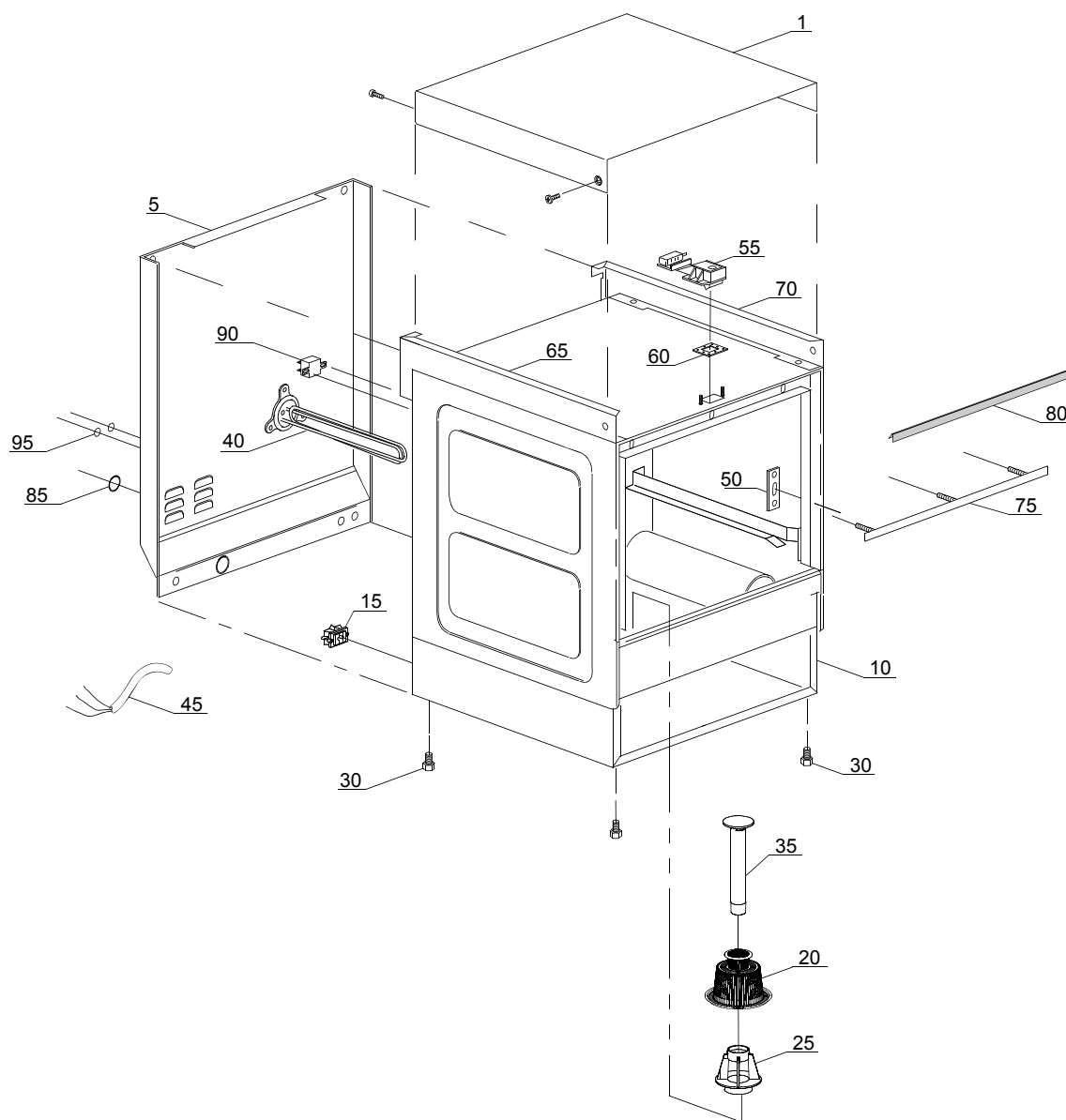
+7(812)987-08-81

1.1 Voltage codes

Volt	Voltage code
A	3/N/PE~380-400V 50-60Hz
D	3/PE~200-210V 50-60Hz
F	2/PE~220-240V 50-60Hz
G	3/N/PE~415V 50-60Hz
H	3/PE~220-230V 50-60Hz
K	3/PE~380-400V 50-60Hz
L	3/PE~415V 50-60Hz
M	3/PE~440V 60Hz
P	1/N/PE~220-230V 50-60Hz
R	2/PE~220-240V 50-60Hz
U	1/N/PE~240V 50-60Hz
V	3/PE~240V 50-60Hz
W	1/N/PE~100-110V 50-60Hz

1.2 Product codes

Product code	Full name
Model codes	
em	ELECTROMECHANICAL SWITCHES
lw	LOWER WASHING
Type codes	
100U	100U
Accessory codes	
dvgw	DVGW
cr	COLD RINSE
ws	WATER SOFTNER
dd	DETERGENT DISPENSER
dp	DRAIN PUMP



01_043_e

vsezip.ru

ID	P-code	SN from	SN to	Mod.	Acces.	Volt	Description
Module:General body parts							
1	250029		-				Cover
5	250602		-				Back panel
10	250600		-				Body
10	250601		-		ws		Body
15	15065/A		-				Cable-fastener with screw
20	25003		-				Pump filter
25	25002		-				Top filter body
30	10850		-				Foot (minimum 4 pieces)
35	25004		-				Overflow pipe
40	18206		-				2/2,18KW 230/240V heating element
40	18206/B		-				2/2,18KW 230/240V heating element
45	10713		-				3x2,5x2500 cable
50	150401		-				Door rod slide (minimum 4 pieces)
55	150402		-				Door jack assembly
60	150403		-				Door jack O-ring (minimum 5 pieces)
65	250026		-				Left cover back support
70	250025		-				Right cover back support
75	352919		-				Door O-ring angular
80	135206		-				Door O-ring
85	13317		-				D.40mm unloading pipe pass (minimum 2 pieces)
90	2000431		-				Safety thermostat
95	13323		-				D.13mm dosing pipe pass (minimum 2 pieces)

em=ELECTROMECHANICAL SWITCHES, lw=LOWER WASHING

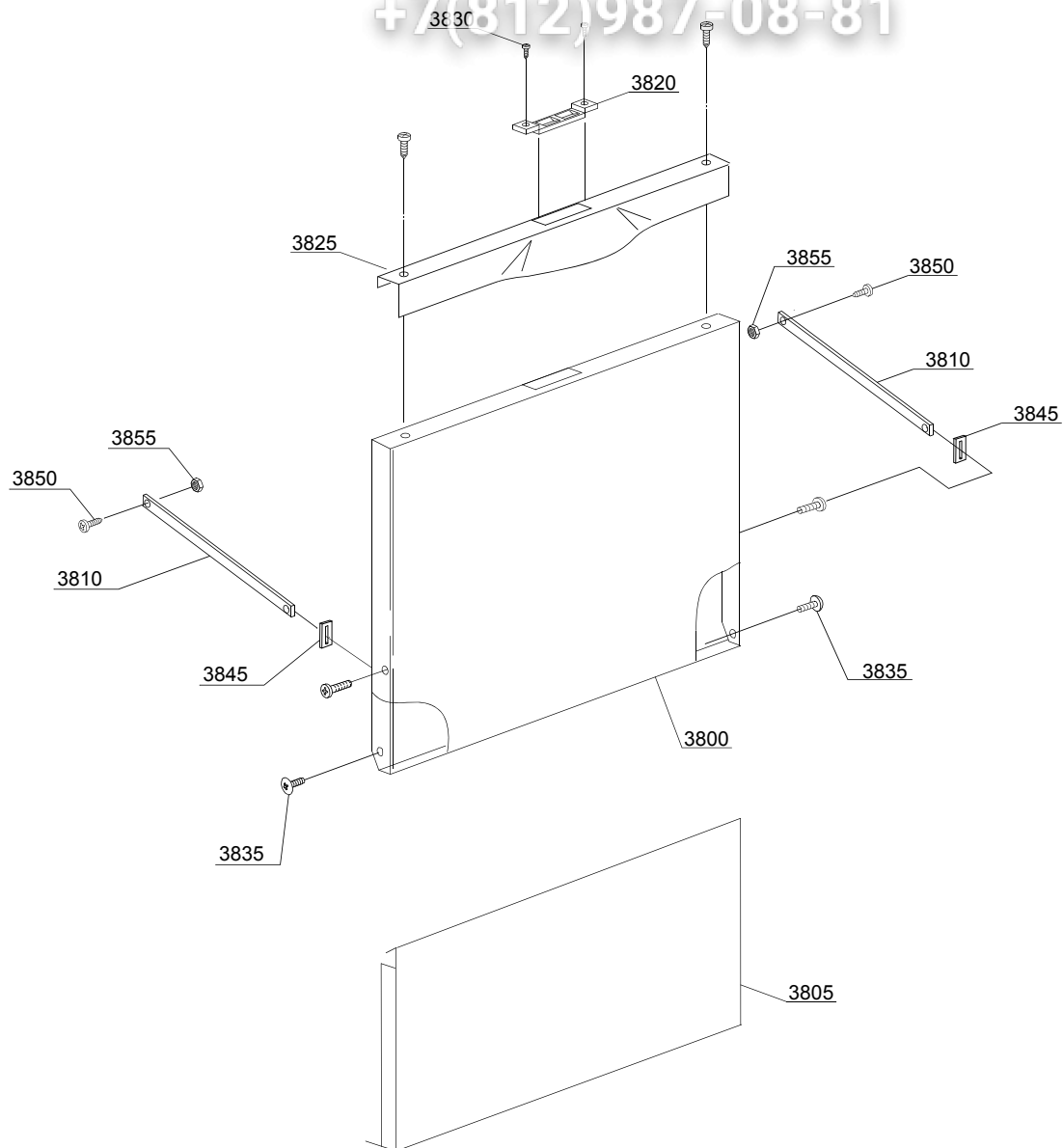
100U=100U

dvgw=DVGW, cr=COLD RINSE, ws=WATER SOFTNER, dd=DETERGENT DISPENSER, dp=DRAIN PUMP

A=3/N/PE~380-400V 50-60Hz, D=3/PE~200-210V 50-60Hz, F=2/PE~220-240V 50-60Hz, G=3/N/PE~415V 50-60Hz,
H=3/PE~220-230V 50-60Hz, K=3/PE~380-400V 50-60Hz, L=3/PE~415V 50-60Hz, M=3/PE~440V 60Hz, P=1/N/PE~220-
230V 50-60Hz, R=2/PE~220-240V 50-60Hz, U=1/N/PE~240V 50-60Hz, V=3/PE~240V 50-60Hz, W=1/N/PE~100-110V
50-60Hz

vsezip.ru

+7(812)987-08-81



02_103ue

vsezip.ru

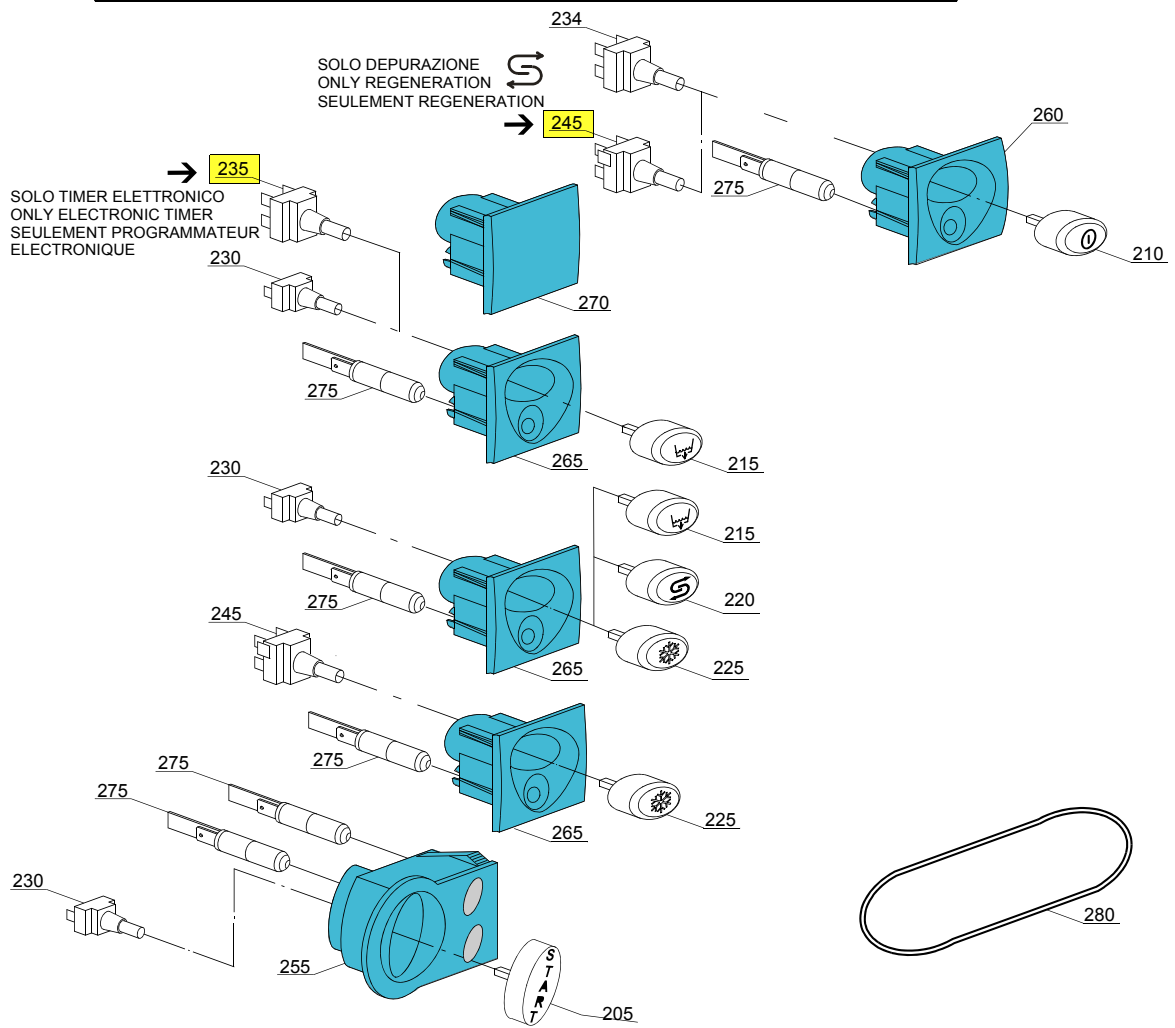
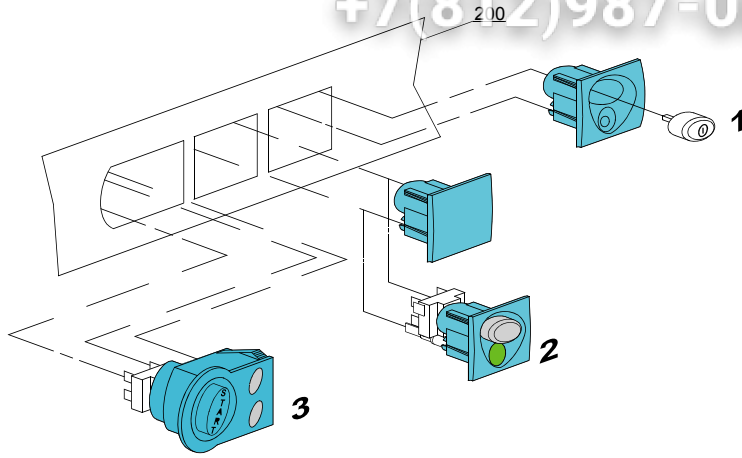
ID	P-code	SN from	SN to	Mod	Acces	Volt	Description
Module: Lockup system							
3800	250005		-				Door
3805	250603		-				Lower door
3810	250041		-				Right/left door rod
3820	150402/D		-				Door jack
3825	250008		-				Stainless steel handle
3830	11139		-				Stainless steel screw
3835	11219		-				M5x25 stainless steel screw
3845	250042		-				Hinge door rod
3850	11121		-				M4x8 screw (minimum 20 pieces)
3855	11703		-				M4 inox Plated nut

em=ELECTROMECHANICAL SWITCHES, lw=LOWER WASHING

100U=100U

dvgw=DVGW, cr=COLD RINSE, ws=WATER SOFTNER, dd=DETERGENT DISPENSER, dp=DRAIN PUMP

A=3/N/PE~380-400V 50-60Hz, D=3/PE~200-210V 50-60Hz, F=2/PE~220-240V 50-60Hz, G=3/N/PE~415V 50-60Hz,
H=3/PE~220-230V 50-60Hz, K=3/PE~380-400V 50-60Hz, L=3/PE~415V 50-60Hz, M=3/PE~440V 60Hz, P=1/N/PE~220-
230V 50-60Hz, R=2/PE~220-240V 50-60Hz, U=1/N/PE~240V 50-60Hz, V=3/PE~240V 50-60Hz, W=1/N/PE~100-110V
50-60Hz



vsezip.ru

ID	P-code	SN from	SN to	Mod.	Acces.	Volt	Description
Module:Control panel and switches							
200	352928		-	em			Control panel
205	89347		-	em			Start prush button
210	89340		-	em			ON-OFF prush button
215	89343		-	em	dp		Drain pump prush button
220	89345		-	em	ws		Regeneration prush button
225	89344		-	em	cr		Hot/cold prush button
230	15813		-	em			16A unipolar switch
234	15812		-	em			16A bipolar switch
235	15800		-	em			16A bipolar switch
245	15811		-	em			16A bipolar switch
255	89301		-	em			Start push button support
260	89304		-	em			Push button support
265	89302		-	em	dp,ws,cr		Push button support
270	89303		-	em			Closed support
275	15826		-	em			Pilot light 220V
280	89331		-	em			OR O-ring (minimum 5 pieces)

em=ELECTROMECHANICAL SWITCHES, lw=LOWER WASHING

100U=100U

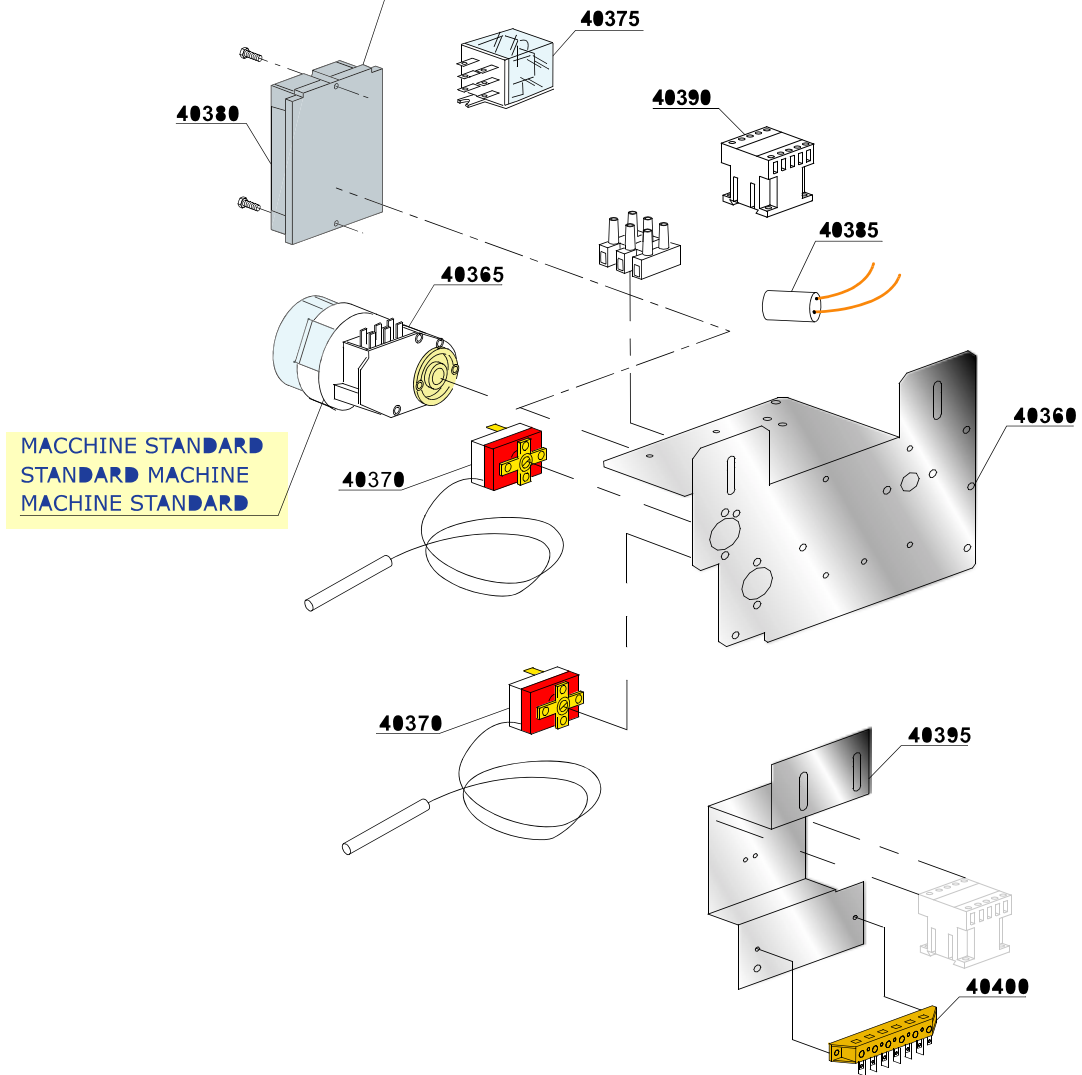
dvgw=DVGW, cr=COLD RINSE, ws=WATER SOFTNER, dd=DETERGENT DISPENSER, dp=DRAIN PUMP

A=3/N/PE~380-400V 50-60Hz, D=3/PE~200-210V 50-60Hz, F=2/PE~220-240V 50-60Hz, G=3/N/PE~415V 50-60Hz,
H=3/PE~220-230V 50-60Hz, K=3/PE~380-400V 50-60Hz, L=3/PE~415V 50-60Hz, M=3/PE~440V 60Hz, P=1/N/PE~220-
230V 50-60Hz, R=2/PE~220-240V 50-60Hz, U=1/N/PE~240V 50-60Hz, V=3/PE~240V 50-60Hz, W=1/N/PE~100-110V
50-60Hz

vsezip.ru

+7(812)987-08-81

SOLO MACCHINE DEPURATE • POMPA SCARICO
DEPURATION MACHINE OR DRAIN PUMP
AVEC MACHINE ADOUCISSEUR D'EAU • POMPE DE VIDANGE



04_043_e

vsezip.ru

ID	P-code	SN from	SN to	Mod.	Acces	Volt	Description
Module: Electric control components							
40360	25020		-	em			Electric component panel
40365	10708/T		-	em	ws		Timer 120" with thermostop - 230Vac 50Hz
40365	10708/E		-	em	ws		Timer 120" with thermostop - 110Vac 60Hz
40370	10707/1		-	em			0-90°C thermostat
40375	16047		-	em			Tripolar relay 16A - 230Vac 50/60 Hz
40375	15620		-	em	dp		16A bipolar relay in deviation
40380	50553		-	em	ws,dp		3 times electronic timer with regeneration
40385	15146		-	em			Low noise filter F3
40390	15158		-	em			Contactora 110V
40395	401019		-	em			Contactora support for extra power
40400	500551		-	em			6 poles terminal board

em=ELECTROMECHANICAL SWITCHES, lw=LOWER WASHING

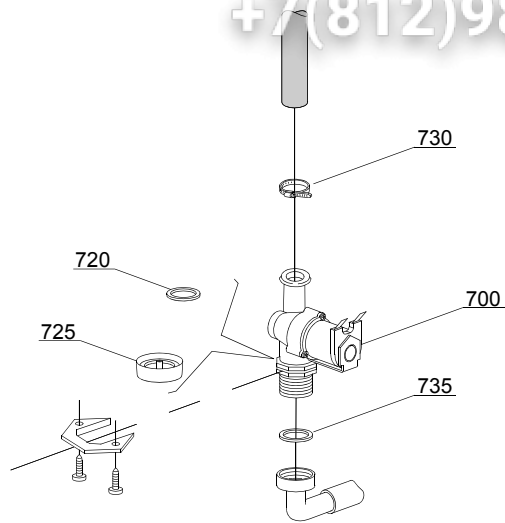
100U=100U

dvgw=DVGW, cr=COLD RINSE, ws=WATER SOFTNER, dd=DETERGENT DISPENSER, dp=DRAIN PUMP

A=3/N/PE~380-400V 50-60Hz, D=3/PE~200-210V 50-60Hz, F=2/PE~220-240V 50-60Hz, G=3/N/PE~415V 50-60Hz, H=3/PE~220-230V 50-60Hz, K=3/PE~380-400V 50-60Hz, L=3/PE~415V 50-60Hz, M=3/PE~440V 60Hz, P=1/N/PE~220-230V 50-60Hz, R=2/PE~220-240V 50-60Hz, U=1/N/PE~240V 50-60Hz, V=3/PE~240V 50-60Hz, W=1/N/PE~100-110V 50-60Hz

vsezip.ru

+7(812)987-08-81



05_002_e

vsezip.ru

ID	P-code	SN from	SN to	Mod.	Acces.	Volt	Description
Module:Solenoid valve group							
700	10703		-	em			Single solenoid valve - 230Vac
700	10703/A		-	em			Single solenoid valve - 110Vac
720	N.C.		-	em			Pression reducing valve
725	15315		-	em			Red pression reducing valve support (minimum 2 pieces)
730	11807		-	em			12/22 clamp (minimum 3 pieces)
735	13307		-	em			3/4 gasket

em=ELECTROMECHANICAL SWITCHES, lw=LOWER WASHING

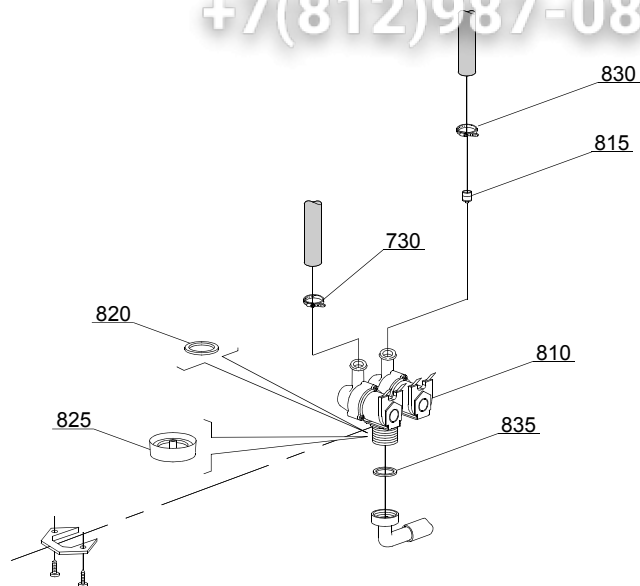
100U=100U

dvgw=DVGW, cr=COLD RINSE, ws=WATER SOFTNER, dd=DETERGENT DISPENSER, dp=DRAIN PUMP

A=3/N/PE~380-400V 50-60Hz, D=3/PE~200-210V 50-60Hz, F=2/PE~220-240V 50-60Hz, G=3/N/PE~415V 50-60Hz,
H=3/PE~220-230V 50-60Hz, K=3/PE~380-400V 50-60Hz, L=3/PE~415V 50-60Hz, M=3/PE~440V 60Hz, P=1/N/PE~220-
230V 50-60Hz, R=2/PE~220-240V 50-60Hz, U=1/N/PE~240V 50-60Hz, V=3/PE~240V 50-60Hz, W=1/N/PE~100-110V
50-60Hz

vsezip.ru

+7(812)987-08-81



05_003_€

vsezip.ru

ID	P-code	SN from	SN to	Mod.	Acces	Volt	Description
Module:Solenoid valve group							
810	15098		-	em	cr,ws		Double solenoid valve - Ø10 - 230Vac
810	15098/A		-	em	cr		Double solenoid valve - 110Vac
815	15115		-	em	cr,ws		Green pression solenoid valve for regeneration (minimum 2 pieces)
820	N.C.		-	em	cr,ws		Pression reducing valve
825	15315		-	em	cr,ws		Red pression reducing valve support (minimum 2 pieces)
825	15315/A		-	em			Brown pression reducing valve support
830	11807		-	em			12/22 clamp (minimum 3 pieces)
835	13307		-	em			3/4 gasket

em=ELECTROMECHANICAL SWITCHES, lw=LOWER WASHING

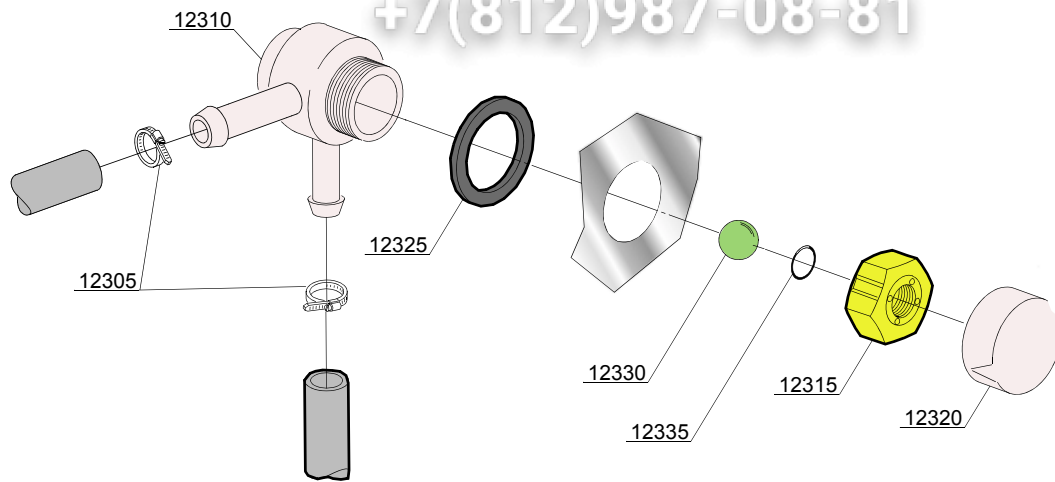
100U=100U

dvgw=DVGW, cr=COLD RINSE, ws=WATER SOFTNER, dd=DETERGENT DISPENSER, dp=DRAIN PUMP

A=3/N/PE~380-400V 50-60Hz, D=3/PE~200-210V 50-60Hz, F=2/PE~220-240V 50-60Hz, G=3/N/PE~415V 50-60Hz, H=3/PE~220-230V 50-60Hz, K=3/PE~380-400V 50-60Hz, L=3/PE~415V 50-60Hz, M=3/PE~440V 60Hz, P=1/N/PE~220-230V 50-60Hz, R=2/PE~220-240V 50-60Hz, U=1/N/PE~240V 50-60Hz, V=3/PE~240V 50-60Hz, W=1/N/PE~100-110V 50-60Hz

vsezip.ru

+7(812)987-08-81



08_005xe

vsezip.ru

ID	P-code	SN from	SN to	Mod.	Acces.	Volt	Description
Module:DVGW valve							
12305	11807		-		dvgw		Clamp aisi430 12/22
12310	15286		-		dvgw		Valve body center
12315	15281		-		dvgw		Flat valve
12320	15282		-		dvgw		Flat valve cover
12325	15283		-		dvgw		Valve gasket
12330	15284		-		dvgw		Sphere
12335	15285		-		dvgw		O-ring 115 KTW

em=ELECTROMECHANICAL SWITCHES, lw=LOWER WASHING

100U=100U

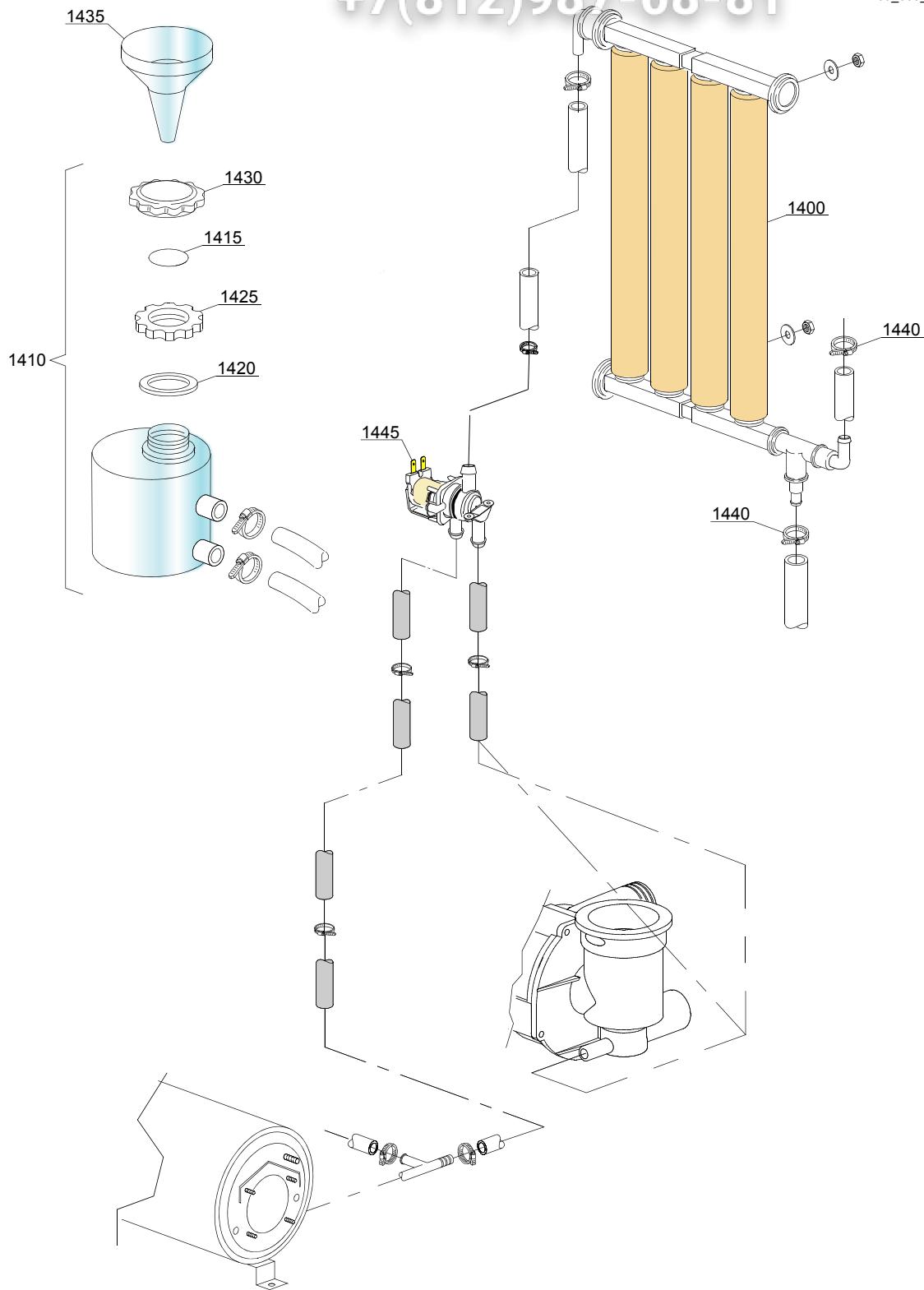
dvgw=DVGW, cr=COLD RINSE, ws=WATER SOFTNER, dd=DETERGENT DISPENSER, dp=DRAIN PUMP

A=3/N/PE~380-400V 50-60Hz, D=3/PE~200-210V 50-60Hz, F=2/PE~220-240V 50-60Hz, G=3/N/PE~415V 50-60Hz,
H=3/PE~220-230V 50-60Hz, K=3/PE~380-400V 50-60Hz, L=3/PE~415V 50-60Hz, M=3/PE~440V 60Hz, P=1/N/PE~220-
230V 50-60Hz, R=2/PE~220-240V 50-60Hz, U=1/N/PE~240V 50-60Hz, V=3/PE~240V 50-60Hz, W=1/N/PE~100-110V
50-60Hz

vsezip.ru

+7(812)987-08-81

09_005_e



vsezip.ru

ID	P-code	SN from	SN to	Mod.	Acces.	Volt	Description
Module: Water softner group							
1400	16066		-	em	ws		4 elements water softner
1410	16065		-	em	ws		Salt container
1415	16067/A		-	em	ws		OR O-ring
1420	16067/B		-	em	ws		O-ring
1425	16067/C		-	em	ws		Ring nut
1430	16067/D		-	em	ws		Plug
1435	16082		-	em	ws		Funnel
1440	11807		-	em	ws		12/22 clamp (minimum 3 pieces)
1445	15213		-	em	ws		Single solenoid valve

em=ELECTROMECHANICAL SWITCHES, lw=LOWER WASHING

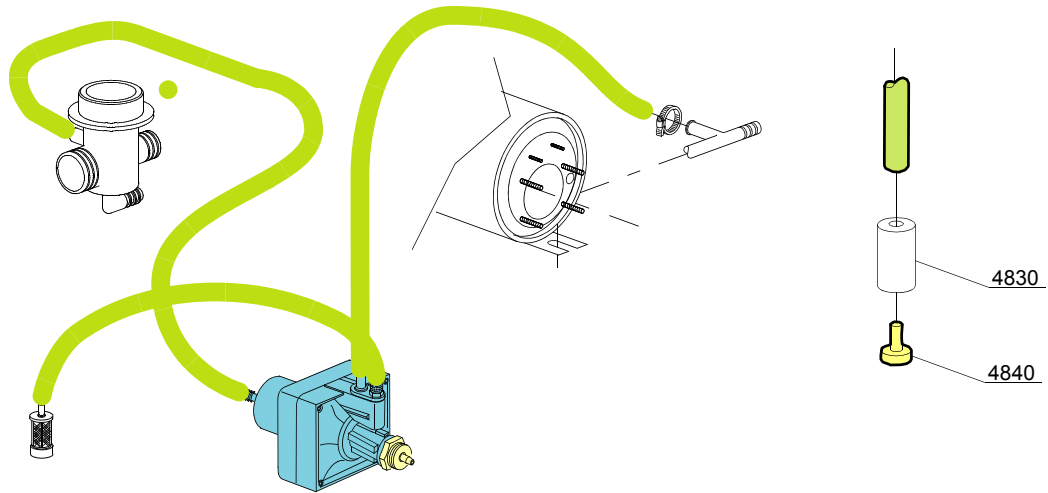
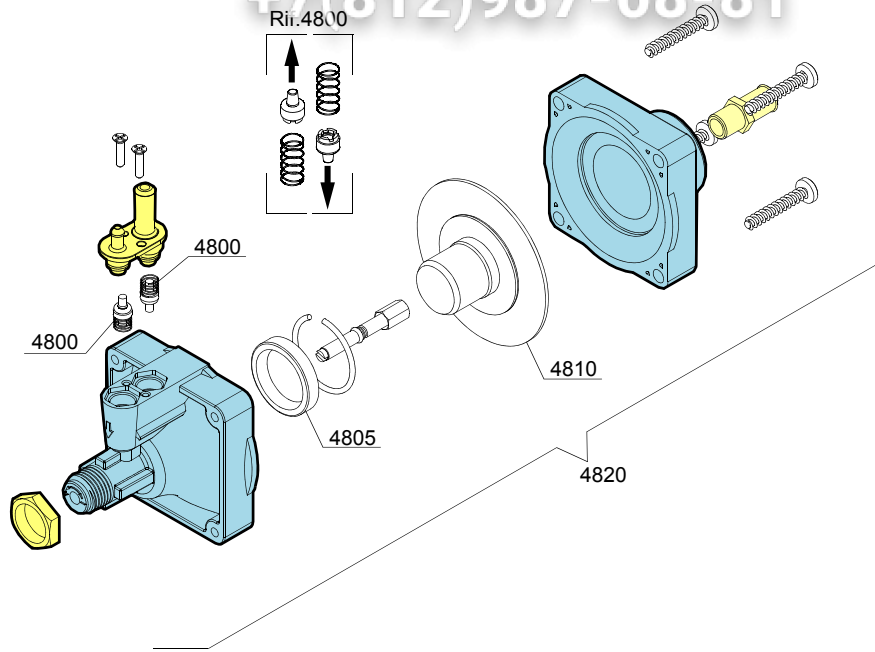
100U=100U

dvgw=DVGW, cr=COLD RINSE, ws=WATER SOFTNER, dd=DETERGENT DISPENSER, dp=DRAIN PUMP

A=3/N/PE~380-400V 50-60Hz, D=3/PE~200-210V 50-60Hz, F=2/PE~220-240V 50-60Hz, G=3/N/PE~415V 50-60Hz, H=3/PE~220-230V 50-60Hz, K=3/PE~380-400V 50-60Hz, L=3/PE~415V 50-60Hz, M=3/PE~440V 60Hz, P=1/N/PE~220-230V 50-60Hz, R=2/PE~220-240V 50-60Hz, U=1/N/PE~240V 50-60Hz, V=3/PE~240V 50-60Hz, W=1/N/PE~100-110V 50-60Hz

vsezip.ru

+7(812)987-08-81



10_006_e

vsezip.ru

ID	P-code	SN from	SN to	Mod.	Acces.	Volt	Description
Module: Rinse aid dispenser group							
4800	10805		-	em			Tecnopro non return valve
4805	10806		-	em			Ø22 O-ring
4810	10807		-	em			Membrane
4820	10799		-	em			TECNO PRO rinse aid dispenser
4830	12525		-	em			Ballast
4840	15058		-	em			Small filter (minimum 3 pieces)

em=ELECTROMECHANICAL SWITCHES, lw=LOWER WASHING

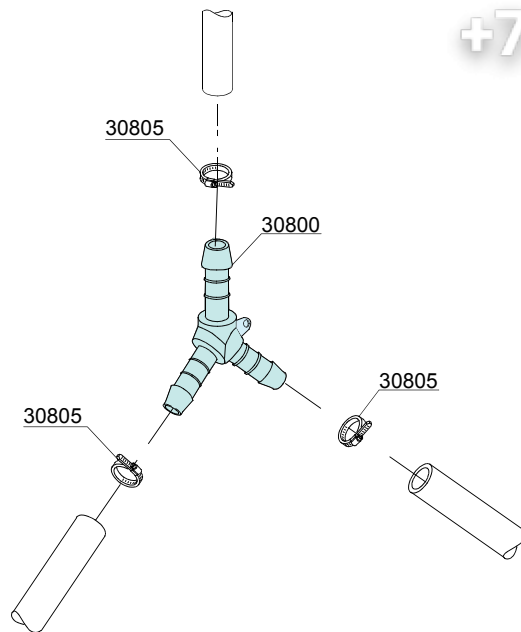
100U=100U

dvgw=DVGW, cr=COLD RINSE, ws=WATER SOFTNER, dd=DETERGENT DISPENSER, dp=DRAIN PUMP

A=3/N/PE~380-400V 50-60Hz, D=3/PE~200-210V 50-60Hz, F=2/PE~220-240V 50-60Hz, G=3/N/PE~415V 50-60Hz, H=3/PE~220-230V 50-60Hz, K=3/PE~380-400V 50-60Hz, L=3/PE~415V 50-60Hz, M=3/PE~440V 60Hz, P=1/N/PE~220-230V 50-60Hz, R=2/PE~220-240V 50-60Hz, U=1/N/PE~240V 50-60Hz, V=3/PE~240V 50-60Hz, W=1/N/PE~100-110V 50-60Hz

vsezip.ru

+7(812)987-08-81



12_003pe

vsezip.ru

ID	P-code	SN from	SN to	Mod	Acces	Volt	Description
Module:3 ways connection							
30800	540090		-	em			Ø10 mm plastic 3 ways connection
30805	11807		-	em			12/22 clamp (minimum 3 pieces)

em=ELECTROMECHANICAL SWITCHES, lw=LOWER WASHING

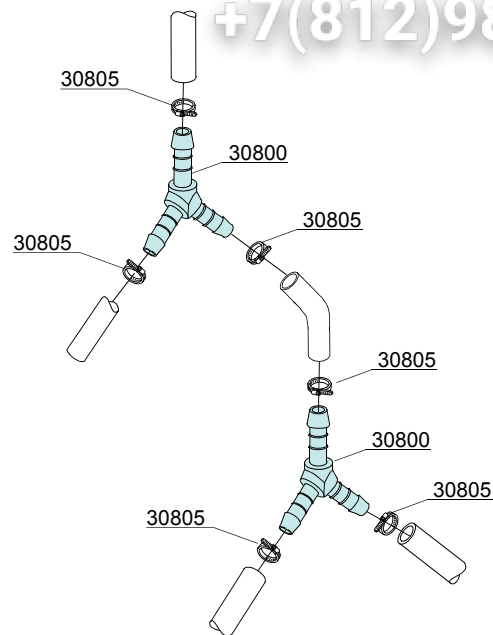
100U=100U

dvgw=DVGW, cr=COLD RINSE, ws=WATER SOFTNER, dd=DETERGENT DISPENSER, dp=DRAIN PUMP

A=3/N/PE~380-400V 50-60Hz, D=3/PE~200-210V 50-60Hz, F=2/PE~220-240V 50-60Hz, G=3/N/PE~415V 50-60Hz, H=3/PE~220-230V 50-60Hz, K=3/PE~380-400V 50-60Hz, L=3/PE~415V 50-60Hz, M=3/PE~440V 60Hz, P=1/N/PE~220-230V 50-60Hz, R=2/PE~220-240V 50-60Hz, U=1/N/PE~240V 50-60Hz, V=3/PE~240V 50-60Hz, W=1/N/PE~100-110V 50-60Hz

vsezip.ru

+7(812)987-08-81



12_010pe

vsezip.ru

ID	P-code	SN from	SN to	Mod.	Acces.	Volt	Description
Module:4 ways connection							
30800	540090		-	em	cr		Ø10 mm plastic 3 ways connection
30805	11807		-	em	cr		12/22 clamp (minimum 3 pieces)

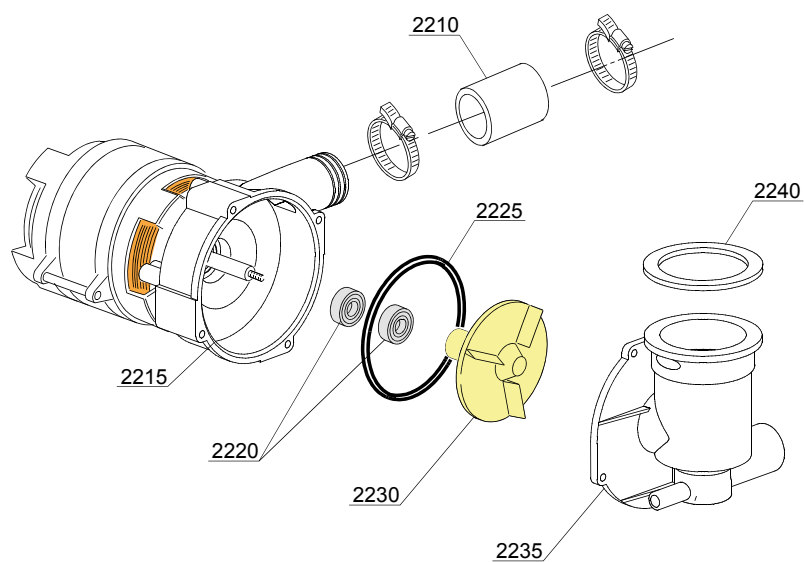
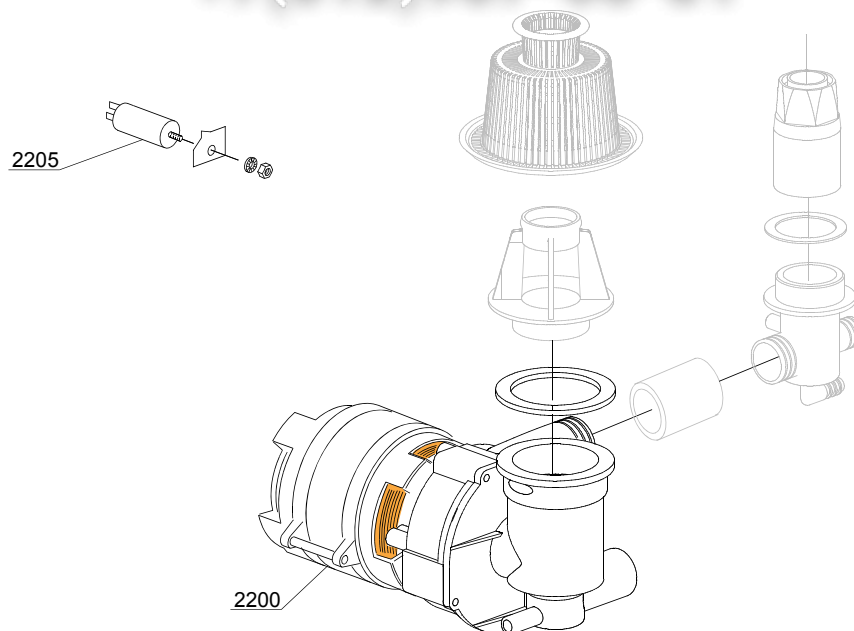
em=ELECTROMECHANICAL SWITCHES, lw=LOWER WASHING

100U=100U

dvgw=DVGW, cr=COLD RINSE, ws=WATER SOFTNER, dd=DETERGENT DISPENSER, dp=DRAIN PUMP

A=3/N/PE~380-400V 50-60Hz, D=3/PE~200-210V 50-60Hz, F=2/PE~220-240V 50-60Hz, G=3/N/PE~415V 50-60Hz, H=3/PE~220-230V 50-60Hz, K=3/PE~380-400V 50-60Hz, L=3/PE~415V 50-60Hz, M=3/PE~440V 60Hz, P=1/N/PE~220-230V 50-60Hz, R=2/PE~220-240V 50-60Hz, U=1/N/PE~240V 50-60Hz, V=3/PE~240V 50-60Hz, W=1/N/PE~100-110V 50-60Hz

13_008_e



ID	P-code	SN from	SN to	Mod.	Acces.	Volt	Description
Module: Wash pump							
2200	25021		-	lw			190W wash pump - 230V 50Hz
2200	25022		-	lw			190W wash pump - 220V 60Hz
2200	25023		-	lw			190W wash pump - 110V 60Hz
2205	10702		-	lw			5 uF condenser - 450V
2210	25019		-	lw			Pump-turret pipe coupling
2215	25000		-	lw			Back Flange RL/09
2220	15080		-	lw			Pump shaft O-rings
2225	25029		-	lw			85x1,5 RL/09 OR O-ring
2230	10504		-	lw			Pump rotor (50Hz)
2230	25021/B		-	lw			Pump rotor (60Hz)
2235	25001		-	lw			Front flange RL/09
2240	25009		-	lw			Water trap gasket

em=ELECTROMECHANICAL SWITCHES, lw=LOWER WASHING

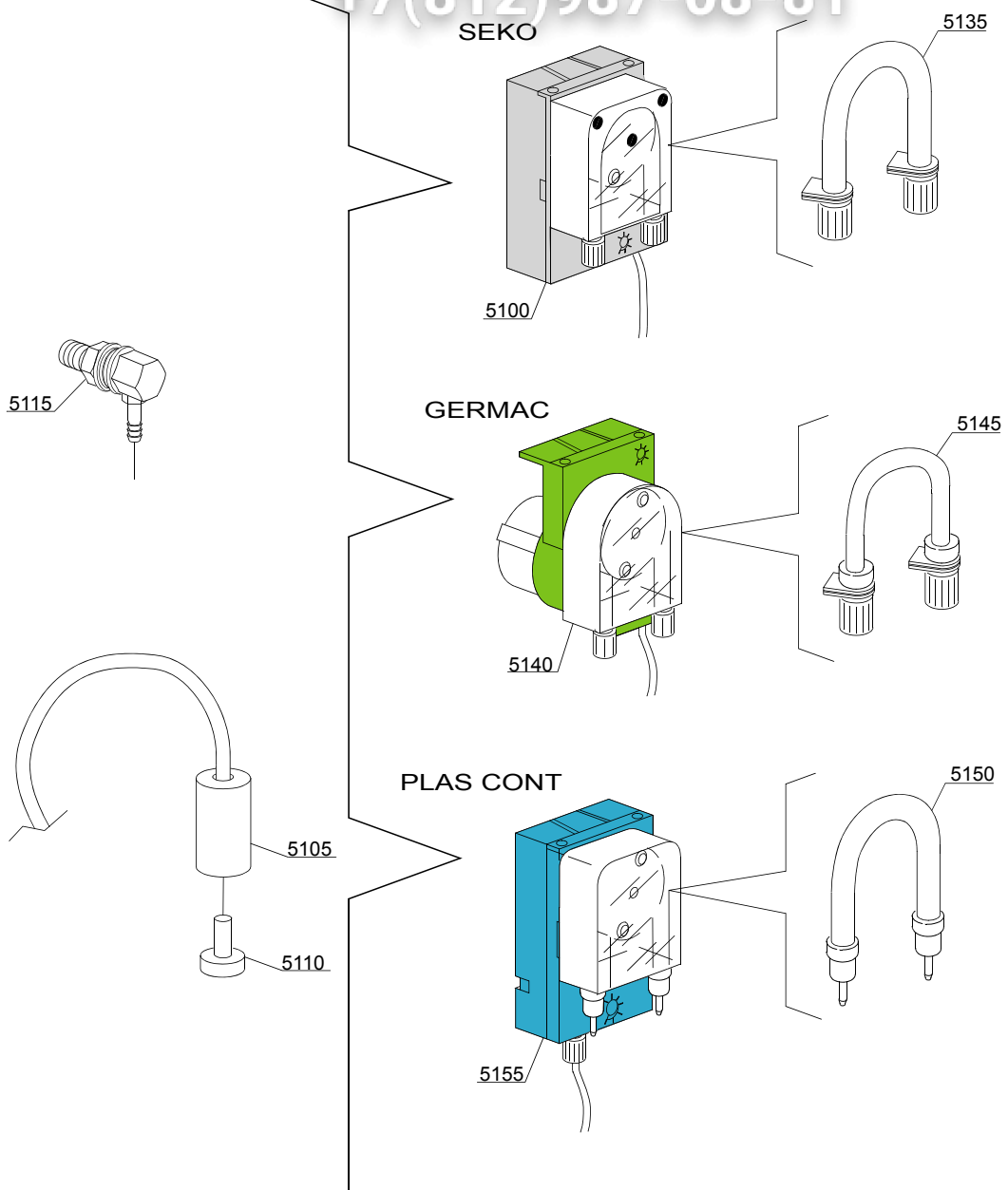
100U=100U

dvgw=DVGW, cr=COLD RINSE, ws=WATER SOFTNER, dd=DETERGENT DISPENSER, dp=DRAIN PUMP

A=3/N/PE~380-400V 50-60Hz, D=3/PE~200-210V 50-60Hz, F=2/PE~220-240V 50-60Hz, G=3/N/PE~415V 50-60Hz, H=3/PE~220-230V 50-60Hz, K=3/PE~380-400V 50-60Hz, L=3/PE~415V 50-60Hz, M=3/PE~440V 60Hz, P=1/N/PE~220-230V 50-60Hz, R=2/PE~220-240V 50-60Hz, U=1/N/PE~240V 50-60Hz, V=3/PE~240V 50-60Hz, W=1/N/PE~100-110V 50-60Hz

vsezip.ru

+7(812)987-08-81



vsezip.ru

ID	P-code	SN from	SN to	Mod	Acces	Volt	Description
Module:Dosing detergent group							
5100	15985		-	em	dd		Seko detergent pump
5105	12525		-	em	dd		Ballast
5110	15058		-	em	dd		Small filter (minimum 3 pieces)
5115	15123		-	em	dd		Complet plastic injector
5135	15185		-	em	dd		Seko thermoplastic pipe
5140	15985		-	em	dd		Germac detergent pump
5145	15108/E		-	em	dd		Germac thermoplastic pipe
5150	15985/A			em	dd		Plas Cont thermoplastic pipe
5155	15985			em	dd		Plas Cont detergent pump

em=ELECTROMECHANICAL SWITCHES, lw=LOWER WASHING

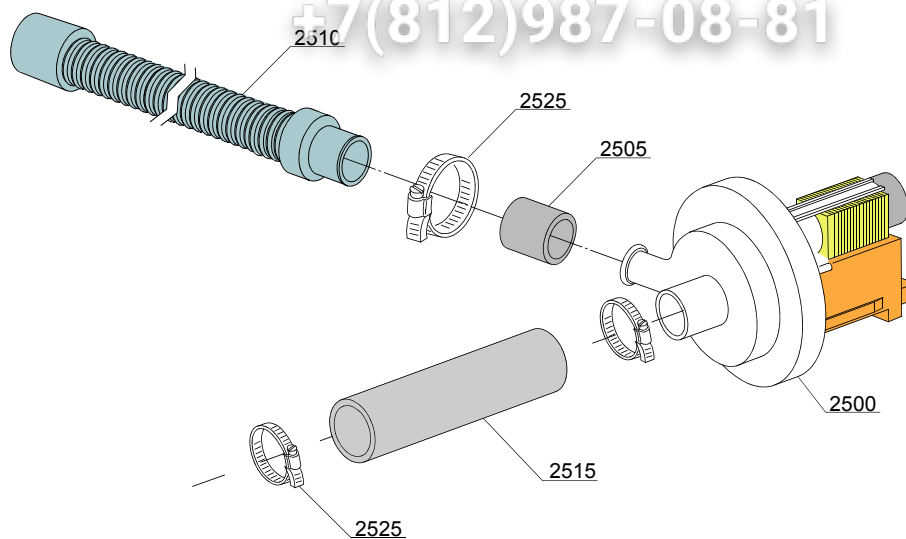
100U=100U

dvgw=DVGW, cr=COLD RINSE, ws=WATER SOFTNER, dd=DETERGENT DISPENSER, dp=DRAIN PUMP

A=3/N/PE~380-400V 50-60Hz, D=3/PE~200-210V 50-60Hz, F=2/PE~220-240V 50-60Hz, G=3/N/PE~415V 50-60Hz, H=3/PE~220-230V 50-60Hz, K=3/PE~380-400V 50-60Hz, L=3/PE~415V 50-60Hz, M=3/PE~440V 60Hz, P=1/N/PE~220-230V 50-60Hz, R=2/PE~220-240V 50-60Hz, U=1/N/PE~240V 50-60Hz, V=3/PE~240V 50-60Hz, W=1/N/PE~100-110V 50-60Hz

vsezip.ru

+7(812)987-08-81



15_004ce

vsezip.ru

ID	P-code	SN from	SN to	Mod.	Acces	Volt	Description
Module: Drain pump group							
2500	15101		-	em	dp		Drain pump 220/240V 50Hz
2500	15101/B		-	em	dp		Drain pump 220V 60Hz
2505	15101/D		-	em	dp		Pipe fitting (minimum 3 pieces)
2510	10727		-	em	dp		Drain pipe
2515	18044		-	em	dp		Ø28 top wash pipe
2525	11806		-	em	dp		25/40 clamp (minimum 2 pieces)

em=ELECTROMECHANICAL SWITCHES, lw=LOWER WASHING

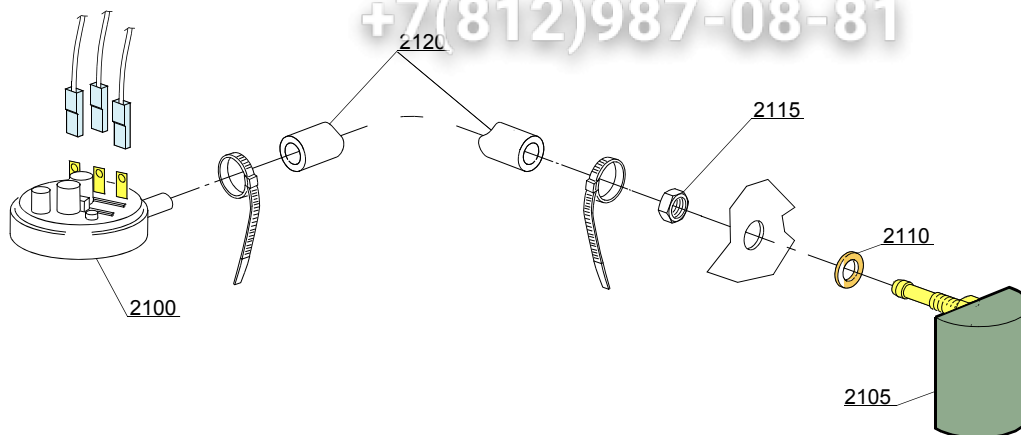
100U=100U

dvgw=DVGW, cr=COLD RINSE, ws=WATER SOFTNER, dd=DETERGENT DISPENSER, dp=DRAIN PUMP

A=3/N/PE~380-400V 50-60Hz, D=3/PE~200-210V 50-60Hz, F=2/PE~220-240V 50-60Hz, G=3/N/PE~415V 50-60Hz, H=3/PE~220-230V 50-60Hz, K=3/PE~380-400V 50-60Hz, L=3/PE~415V 50-60Hz, M=3/PE~440V 60Hz, P=1/N/PE~220-230V 50-60Hz, R=2/PE~220-240V 50-60Hz, U=1/N/PE~240V 50-60Hz, V=3/PE~240V 50-60Hz, W=1/N/PE~100-110V 50-60Hz

vsezip.ru

+7(812)987-08-81



16_001_e

ID	P-code	SN from	SN to	Mod.	Acces	Volt	Description
Module: Pressure switch group with air trap							
2100	10706/A		-	em			47-27 pressure switch
2105	135911/C		-	em			Grey air trap assembly
2110	13301		-	em			O-ring (minimum 10 pieces) - D14x8x1,5
2115	11702		-	em			M8 stainless steel nut (minimum 10 pieces)
2120	14508		-	em			4,5X9 EPDM rubber hose (minimum 2mt)

em=ELECTROMECHANICAL SWITCHES, lw=LOWER WASHING

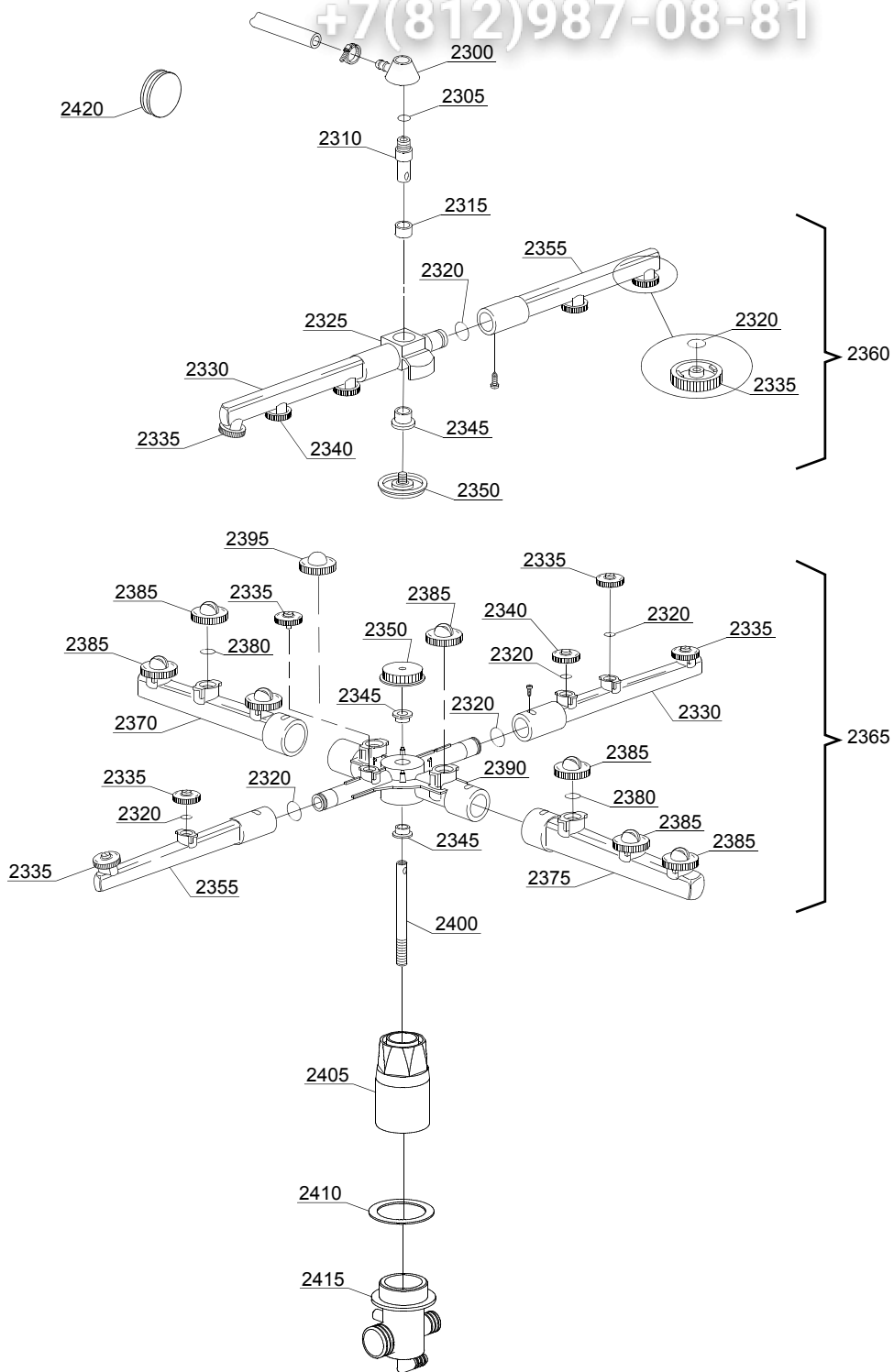
100U=100U

dygw=DVGW, cr=COLD RINSE, ws=WATER SOFTNER, dd=DETERGENT DISPENSER, dp=DRAIN PUMP

A=3/N/PE~380-400V 50-60Hz, D=3/PE~200-210V 50-60Hz, F=2/PE~220-240V 50-60Hz, G=3/N/PE~415V 50-60Hz, H=3/PE~220-230V 50-60Hz, K=3/PE~380-400V 50-60Hz, L=3/PE~415V 50-60Hz, M=3/PE~440V 60Hz, P=1/N/PE~220-230V 50-60Hz, R=2/PE~220-240V 50-60Hz, U=1/N/PE~240V 50-60Hz, V=3/PE~240V 50-60Hz, W=1/N/PE~100-110V 50-60Hz

vsezip.ru

+7(812)987-08-81



17_139_e

ID	P-code	SN from	SN to	Mod.	Acces.	Volt	Description
Module:Turret group with rotating arms							
2300	350402		-	lw			Top turret rinse hub
2305	13003		-	lw			OR 112 NBR O-ring (minimum 10 pieces)
2310	350401		-	lw			Upper axle rinse hub
2315	13320		-	lw			Sliding washer (minimum 3 pieces)
2320	13002		-	lw			OR R6 NBR O-ring (minimum 10 pieces)
2325	10373		-	lw			Top hub for rotor
2330	10375		-	lw			Left rinse pipe
2335	10371		-	lw			Opened rinse nozzle (minimum 5 pieces)
2340	10372		-	lw			Closed rinse nozzle (minimum 2 pieces)
2345	13319		-	lw			Sliding washer (minimum 2 pieces)
2350	10377		-	lw			Handle with insert
2355	10374		-	lw			Right rinse pipe
2360	10997		-	lw			Top rinse group
2365	10999		-	lw			Wash/rinse group
2370	10367		-	lw			Right wash pipe
2375	10368		-	lw			Left wash pipe
2380	13009		-	lw			OR 2050 NBR O-ring (minimum 40 pieces)
2385	10369		-	lw			Opened rinse nozzle (minimum 2 pieces)
2390	10376		-	lw			Wash rotor
2395	10370		-	lw			Closed wash nozzle (minimum 2 pieces)
2400	25011		-	lw			Lower stainless steel ground axle RL/09
2405	25008		-	lw			Bell-shape RL/09
2410	25010		-	lw			RL/09 O-ring (minimum 5 pieces)
2415	25005		-	lw			Lower grey wash turret RL/09
2420	25013		-	lw			O-ring closed RL/09

em=ELECTROMECHANICAL SWITCHES, lw=LOWER WASHING

100U=100U

dvgw=DVGW, cr=COLD RINSE, ws=WATER SOFTNER, dd=DETERGENT DISPENSER, dp=DRAIN PUMP

A=3/N/PE~380-400V 50-60Hz, D=3/PE~200-210V 50-60Hz, F=2/PE~220-240V 50-60Hz, G=3/N/PE~415V 50-60Hz, H=3/PE~220-230V 50-60Hz, K=3/PE~380-400V 50-60Hz, L=3/PE~415V 50-60Hz, M=3/PE~440V 60Hz, P=1/N/PE~220-230V 50-60Hz, R=2/PE~220-240V 50-60Hz, U=1/N/PE~240V 50-60Hz, V=3/PE~240V 50-60Hz, W=1/N/PE~100-110V 50-60Hz