

Зип Общепит

vsezip.ru

+7(812)987-08-81

# DISHWASHER

ELECTROMECHANICAL SWITCHES  
LOWER AND UPPER WASHING

TYPE: 20U

Accessories

BREAK TANK

BOOSTER PUMP

DVGW

WATER SOFTNER

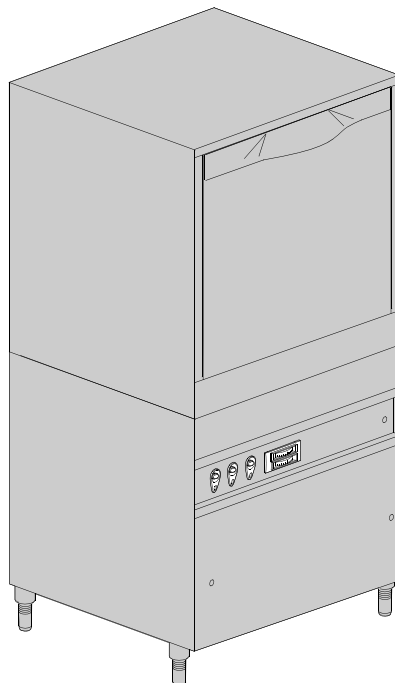
DETERGENT DISPENSER

DRAIN PUMP

---

## Spare parts manual

---



## INFORMAZIONI GENERALI

Questo catalogo serve per richiedere con esattezza le parti di ricambio

Nelle ordinazioni indicare:

1) il numero dei codici dei particolari seguito dalla descrizione e la quantità desiderata;

2) Il codice alfa-numerico presente nella seconda colonna della tabella ;

**I disegni delle parti di ricambio sono solo indicativi e non rappresentano il pezzo in oggetto.**

**I dati contenuti in questo catalogo sono indicativi e possono essere soggetti a modifiche senza impegno di preavviso.**

## ALLGEMEINE INFORMATIONEN

Dieser Ersatzteilkatalog dient zur genauen Angabe der Teile bei Ersatzteilbestellungen.

Bei Ersatzbestellung ist folgendes anzugeben:

1) Die Bestellnummer der Ersatzteile mit der entsprechenden Beschreibung genaue Menge;

2) Der alpha-numerischer Code auf der zweiten Reihe in dein S clud;

**Die Zeichnungen der Ersatzteile sind nur als Hinweise gedacht und stellen nicht das betroffene Teil dar.**

**Bei den im Katalog angeführten Daten handelt es sich um Anhaltsdaten, die jederzeit, ohne Vorankündigung, geändert werden können.**

## GENERAL INFORMATION

The present spare parts order exactly the right spare parts

When ordering specify:

1) the part's code number followed by its description and quantity needed;

2) The alpha-numeric code is in the second column in the chart;

**Spare parts drawings are general and do not represent the part.**

**The contents of this catalogue are general and can undergo changes without prior notice.**

## INFORMACIONES GENERALES

El presente catálogo sirve para pedir con exactitud las partes de repuesto

En los pedidos se debe indicar:

1) el número de código de la parte y a continuación la descripción cantidad deseada;

2) El código alfanumerico presente en la segnada columna de la tabla;

**Los diseños de las partes de recambio son solo indicativos y no representan la pieza en cuestión.**

**Los datos contenidos en el presente catálogo son indicativos y pueden modificarse sin aviso previo.**

## INFORMATIONS GENERALES

Ce catalogue permet de commander correctement les pièces détachées

Les commandes doivent être passées en indiquant:

1) le numero de code des pièces détachées suivi de leur description quantité désirée;

2) le code alphanumérique dans la deuxième colonne du tableau;

**Les plans des pièces détachées sont fournis seulement à titre indicatif et ne représentent pas la pièce concernée.**

**Les données de ce catalogue sont citées seulement à titre indicatif et peuvent être l'objet de modifications sans avis préalable.**

## ESEMPIO

EXAMPLE  
EXEMPLE  
BEISPIEL

Rif.	Codici
MODULE:Particolari	
10505	540903
10510	540908
10515	15065/A
10520	540086
10525	540028

## Note

Tutte le informazioni riportate si intendono aggiornate alla data di stampa. Il Produttore si riserva il diritto di apportare qualsiasi modifica richiesta dallo sviluppo evolutivo dei suddetti prodotti.

Per la sicurezza, la garanzia, l'affidabilità ed il valore della lavastoviglie usa solo ricambi originali.

## Attenzione

Questo libretto è parte integrante della lavastoviglie e, in caso di passaggio di proprietà, deve essere consegnato al nuovo acquirente.

## Note

The information contained herein is valid at the time of going to print. The Company reserves the right to make any changes required by the future development of the above-mentioned products.

For your safety, as well as to preserve the warranty reliability and worth of your dishwashers, use original spare parts only.

## Warning

This manual forms an integral part of the dishwashers and - if a transfer of title occurs - must always be handed over to the new owner.

## Remarque

Toutes les informations contenues dans ce manuel s'entendent mises à jour à la date d'impression. En raison du développement constant de ses produits, usine se réserve le droit d'apporter à tout instant les modifications qu'elle jugera utiles.

Pour la sécurité, la garantie, la fiabilité et la valeur de votre lavevaisselles n'utilisez que des pièces de rechange d'origine.

## Attention

Ce manuel doit être considéré comme partie intégrante de la lavevaisselles, en cas de transfert de propriété, doit toujours être remis au nouveau propriétaire.

## Hinweis

Die Der Hersteller behält sich das Recht vor, jegliche, durch eine Weiterentwicklung der genannten Produkte bedingte Änderungen vornehmen zu können.

Verwenden Sie für Ihre Sicherheit, die Garantie, die Zuverlässigkeit und den Wert Ihrer machine originale Ersatzteile.

## Achtung

Diese Betriebsanleitung ist Bestandteil des machine und muss bei seinem Weiterverkauf dem neuen Besitzer ausgehändigt werden.

vsezip.ru

+7(812)987-08-81

## 1. Spare parts

General body parts.....	7
Lockup system .....	9
Control panel .....	11
Control electric components.....	13
Solenoid valve group .....	15
Solenoid valve group .....	17
Break Tank .....	19
Booster pump.....	21
DVGW .....	23
Water softner group.....	25
Shining product dosing device group .	27
Boiler group .....	29
Derivation group .....	31
Wash pump .....	33
Dosing device group .....	35
Dosing device group .....	37

**Drain pump group.....39**

**Pressure switch group with air trap...41**

**Turret group with rotating arms .....43**

## 1.1 Voltage codes

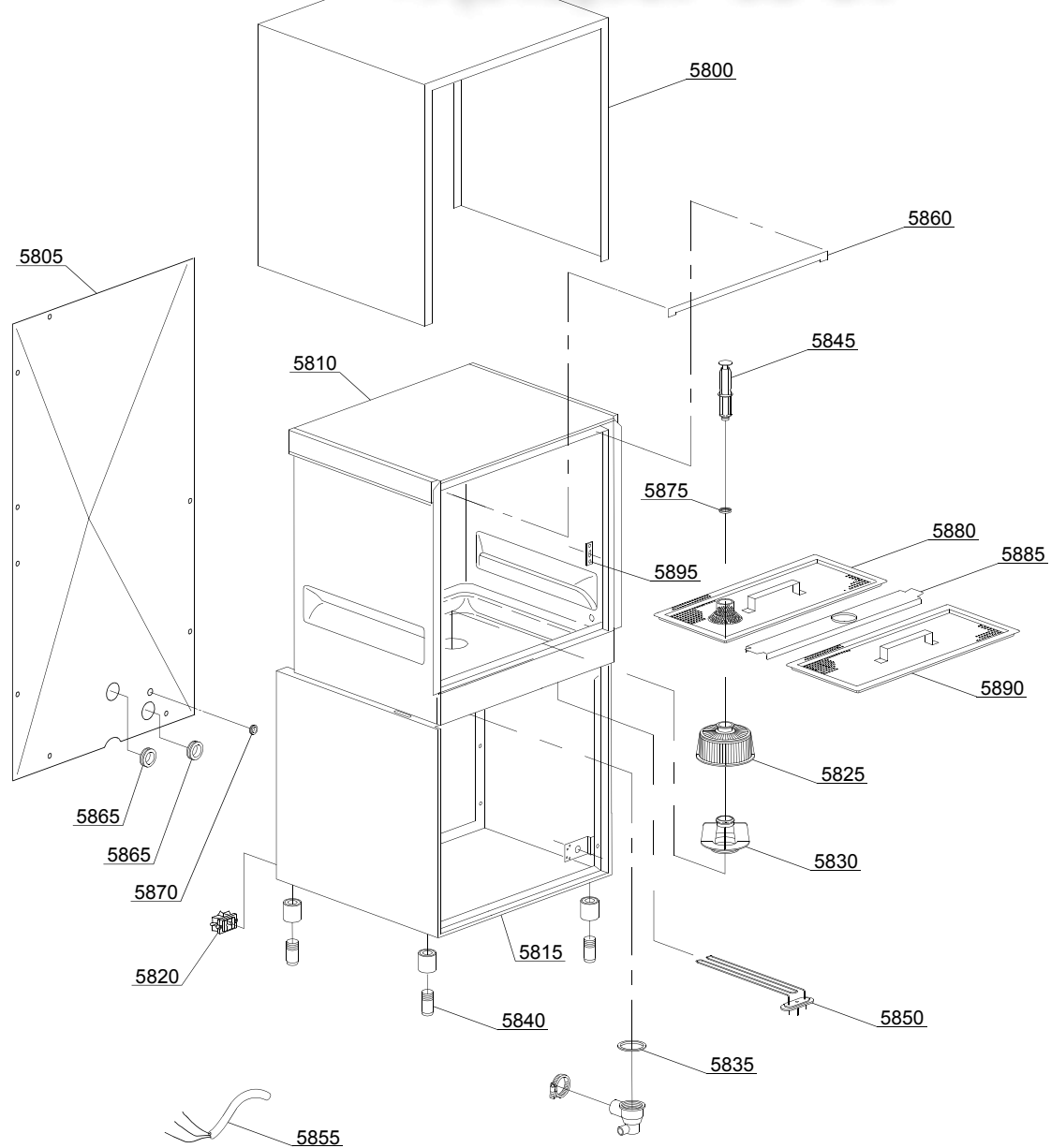
Voltage code	Voltage
A	3/N/PE~400/230V 50Hz
B	~250V 16A 50Hz
C	3/N/PE~380/220V 50Hz
D	3/PE~200V 50-60Hz
F	2/PE 220-240V 50Hz
G	3/N/PE~415/240V 50Hz
H	3/PE~230V 50Hz
I	3/PE~220V 60Hz
J	3/PE~380 50Hz
K	3/PE~400V 50Hz
L	3/PE~415V 50Hz
M	3/PE~440V 60Hz
N	3/PE~460V 60Hz
O	3/PE~480V 60Hz
P	1/N/PE~220-240V 50Hz
R	2/PE~220-230V 60Hz
S	3/N/PE~400/230V 50Hz
T	3/PE~230V 60Hz

## 1.2 Product codes

Product code	Full name
Model codes	
em	ELECTROMECHANICAL SWITCHES
ls	LOWER AND UPPER WASHING
Type codes	
20U	20U
Accessory codes	
bt	BREAK TANK
pap	BOOSTER PUMP
dvgw	DVGW
d	WATER SOFTNER
dde	DETERGENT DISPENSER
ps	DRAIN PUMP

vsezip.ru

+7(812)987-08-81



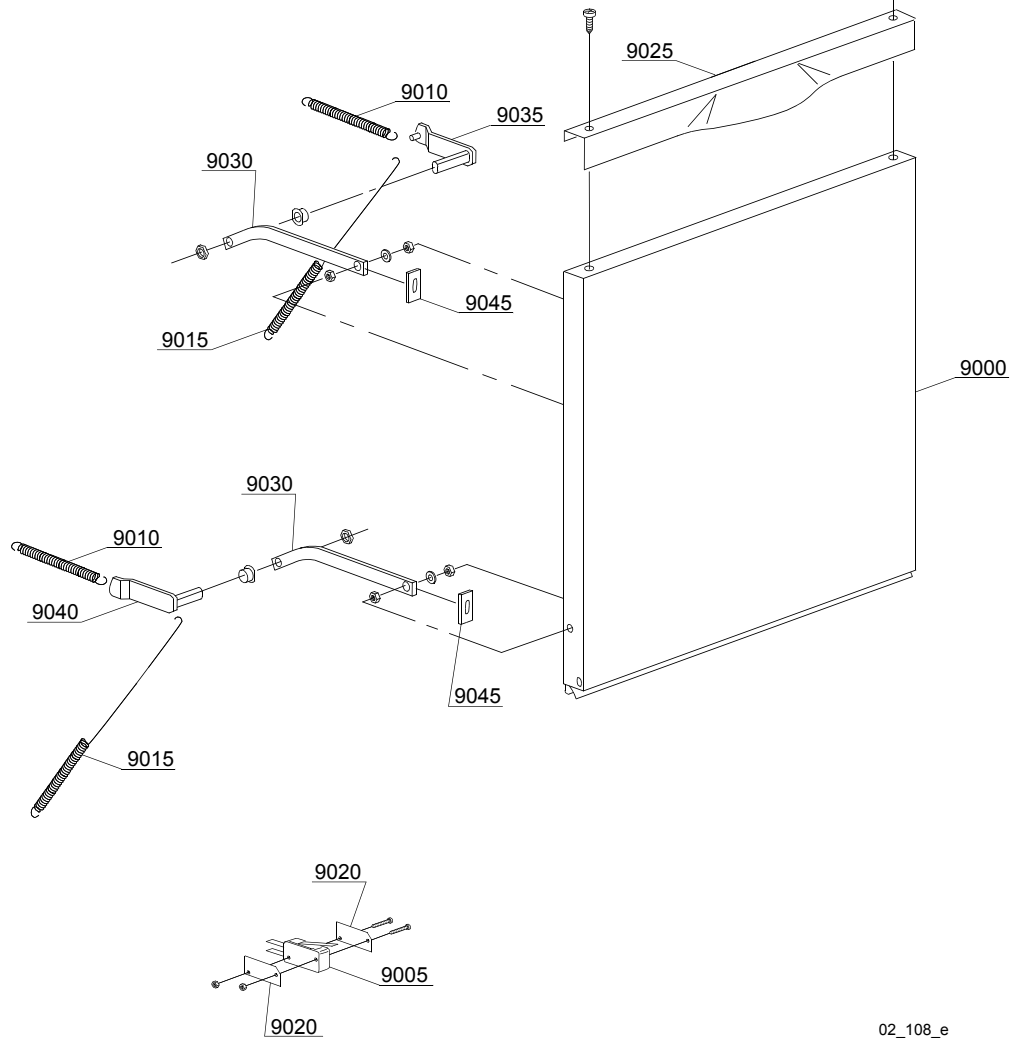
01\_009\_e

vsezip.ru

ID	P-code	Model	Type	Accessory	Voltage	Description
MODULE:General body parts						
5800	550906		20U			Cover
5805	550622		20U			Back panel
5810	550900		20U			Body
5810	550936		20U	ws		Body
5815	550903		20U			Steel base
	550937		20U			Body assembly + steel base
	550938		20U	ws		Body assembly + steel base
5820	15065/A		20U			Cable-fastener with screw
5825	500616		20U			Suction filter
5830	500615		20U			Ferrule with filter
5835	80208		20U			95x75x3 gasket
5840	15116		20U			Foot
5845	500619		20U			Overflow pipe
5850	150047		20U			2,7KW heating element
5855	15150		20U			4x4x2500 cable
5855	75357		20U			3x6 flame-retardant cable
5855	80200		20U			5x4x3400 cable
5860	550207		20U			Door ledge gasket
5865	13324		20U			O46 mm fairlead
5870	13323		20U			O13mm fairlead
5875	13021		20U			DEM 40 gasket
5880	550912		20U			Surface filter for overflow
5885	75926		20U			Sleeper holder-filter
5890	75626		20U			Surface half-filter
5895	150401		20U			Door rod slide

vsezip.ru

+7(812)987-08-81



02\_108\_e

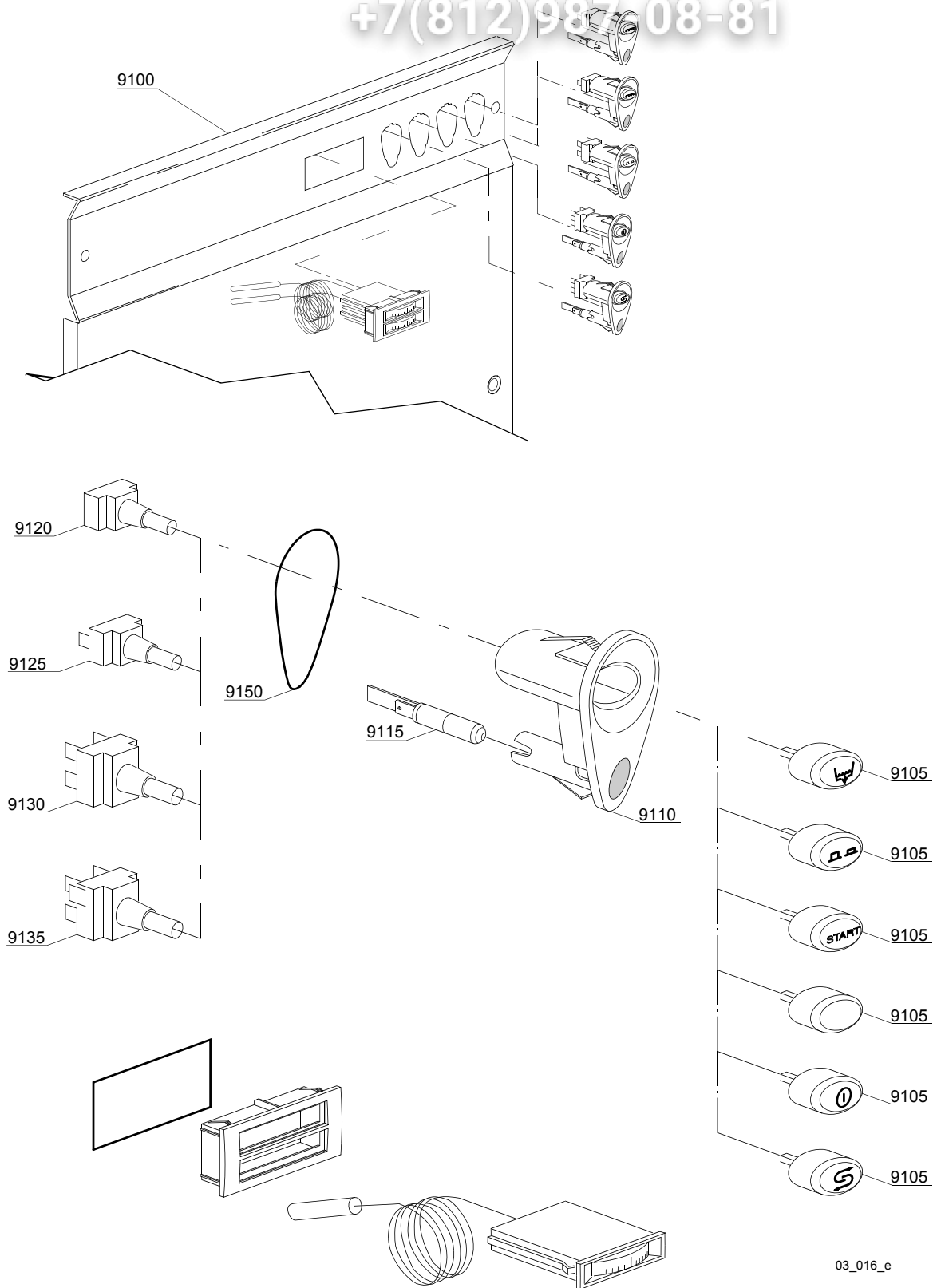


vsezip.ru

ID	P-code	Model	Type	Accessory	Voltage	Description
MODULE: Lockup system						
9000	550950		20U			Door
9005	10704		20U			Door microswitch
9010	550206/A		20U			Short spring door
9015	550212		20U			Long spring door
9020	10770		20U			Insulating for door microswitch
9025	550939		20U			Steel handle
9030	150221/A		20U			Door rod
9035	550908		20U			Right hinge door
9040	550909		20U			Left hinge door
9045	135222		20U			Hinge door seal

vsezip.ru

+7(812)987-08-81



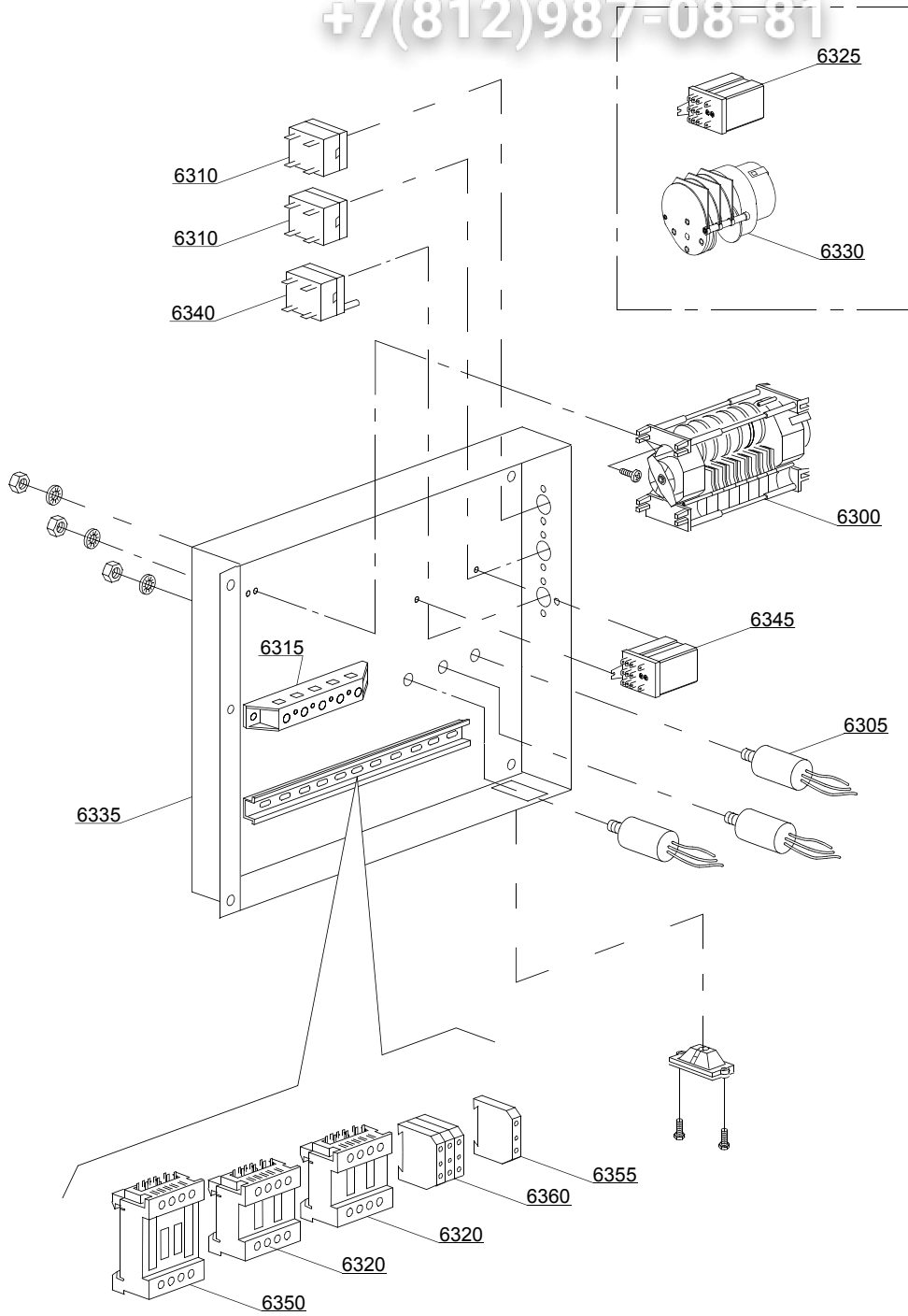
03\_016\_e

vsezip.ru

ID	P-code	Model	Type	Accessory	Voltage	Description
MODULE:Control panel						
9100	550942		20U			Star control panel
9105	89343		20U	dp		Drain pump key
9105	89342		20U			Time push selector switch key
9105	89341		20U			Start key
9105	89348		20U			Blind key
9105	89340		20U			ON-OFF key
9105	89345		20U	ws		Regeneration key
9110	89300		20U			Key support
9115	15826		20U			Pilot lamp
9120	15844		20U			Key support
9125	15813		20U			16A unipolar push button
9130	15812		20U			16A switch
9130	15800		20U			16A bipolar push button
9135	15811		20U			16A bipolar switch
9135	15811/A		20U			16A bipolar switch push button
9140	10500011		20U			Thermometer
9145	89306		20U			Double thermometer support
9150	89332		20U			OR gasket
9155	89331		20U			OR gasket

vsezip.ru

+7(812)987-08-81



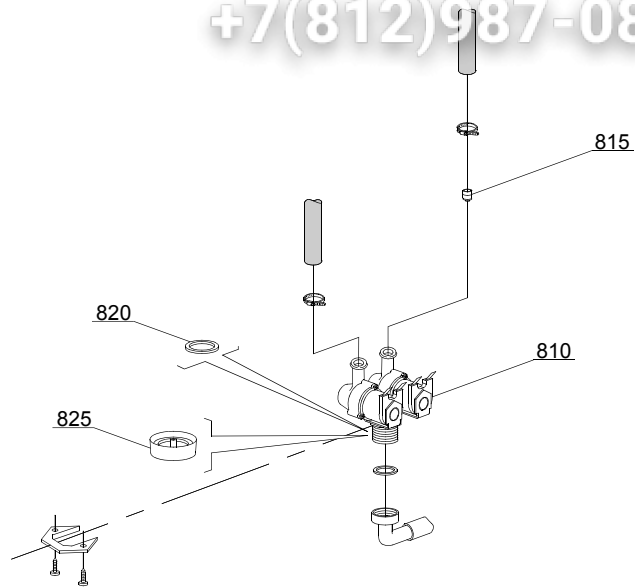
04\_008\_e

vsezip.ru

ID	P-code	Model	Type	Accessory	Voltage	Description
MODULE:Control electric components						
6300	22011		20U			120/240"" timer with thermostop
6305	15149		20U			Low noise filter
6310	10707/1		20U			0-90°C thermostat
6315	500551		20U			6 poles terminal board
6315	500550		20U			3 poles terminal board
6320	15086		20U			Remote control switch 230V 50/60Hz 4C
6320	15086/B		20U			Remote control switch
6325	16037		20U	ws		16A bipolar relay
6330	16064/A		20U	ws		Regeneration timer
6335	550907		20U			Electric components panel
6340	2000430		20U			Safety thermostat
6345	15620		20U			Bipolar relay in deviation
6350	10300050		20U			25A/12A remote control switch
6350	10300052		20U			36A/20A remote control switch

vsezip.ru

+7(812)987-08-81

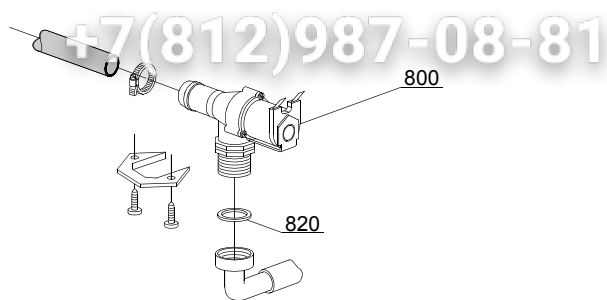


05\_003\_e

vsezip.ru

ID	P-code	Model	Type	Accessory	Voltage	Description
MODULE: Solenoid valve group						
810	15098		20U	cr,ws		Double solenoid valve - O10
815	15115		20U	cr,ws		Green pression solenoid valve
820	N.C.		20U	cr,ws		Pression reducing valve

vsezip.ru

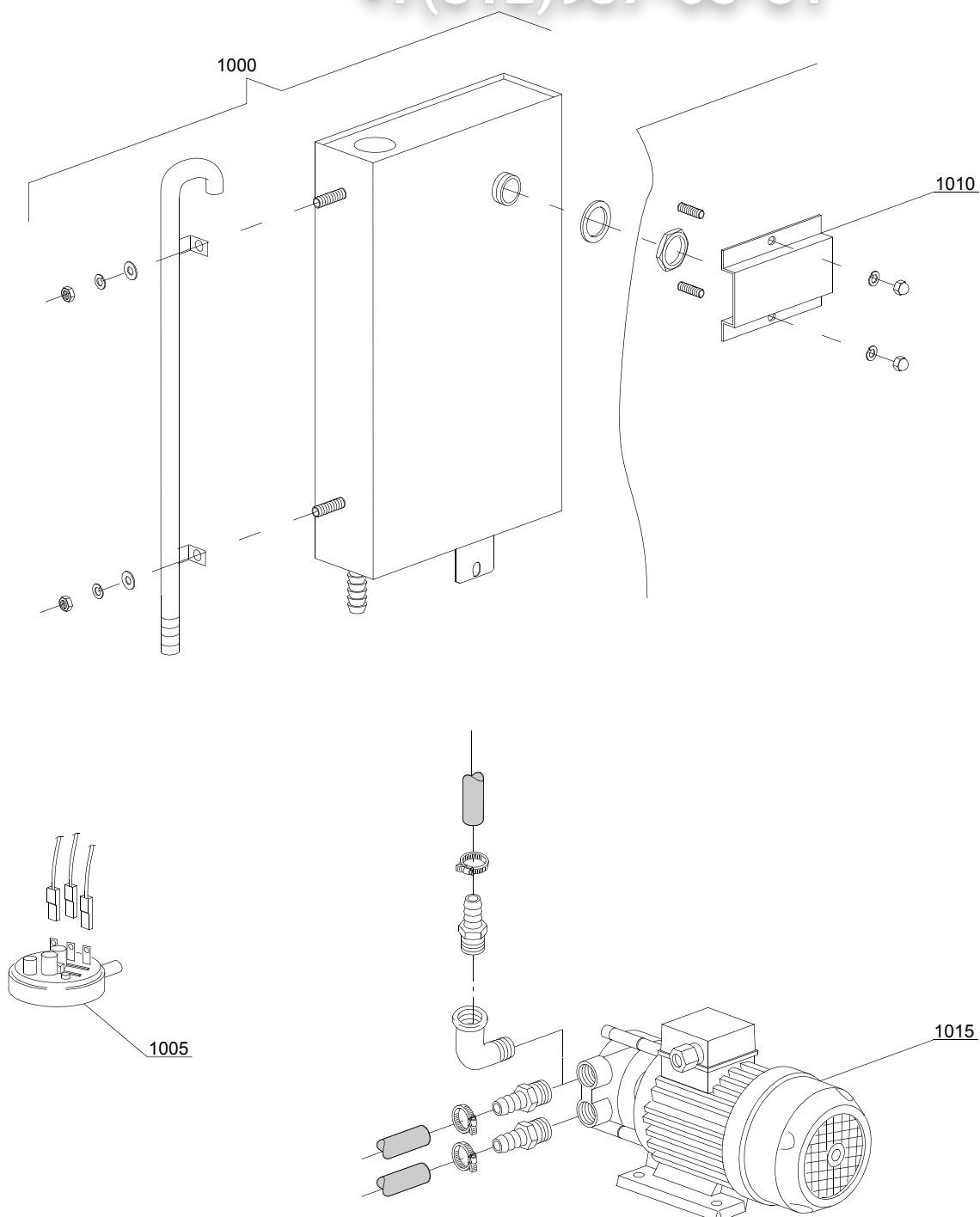


05\_005\_e



vsezip.ru

ID	P-code	Model	Type	Accessory	Voltage	Description
MODULE: Solenoid valve group						
800	30001000		20U			Single solenoid valve
820	N.C.		20U			Pression reducing valve

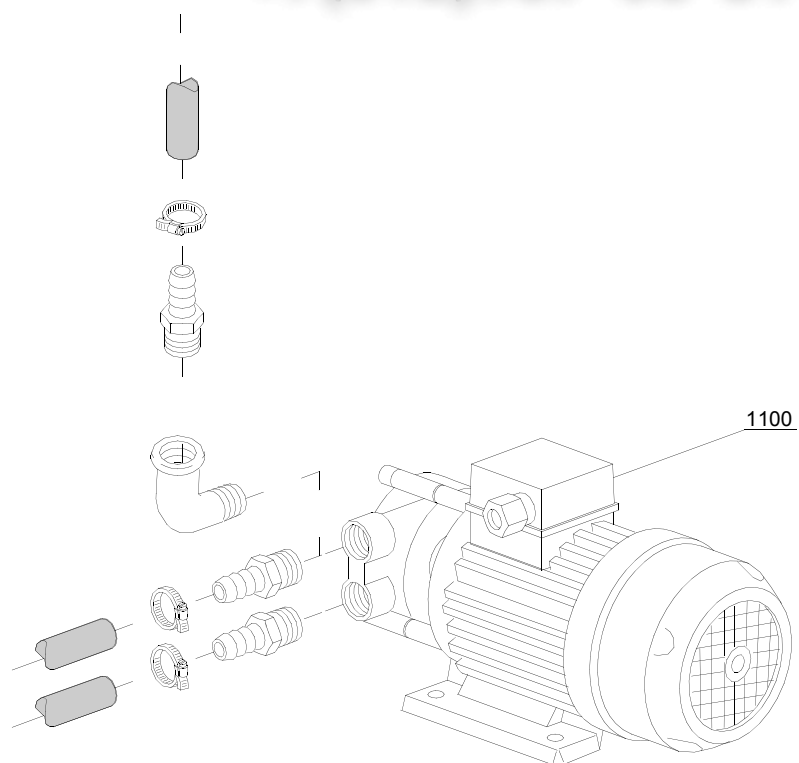


vsezip.ru

ID	P-code	Model	Type	Accessory	Voltage	Description
MODULE:Break Tank						
1000	15735		20U	bt		Break tank assembly
1005	10706/A		20U	bt		47-27 pressure switch
1010	15738		20U	bt		Hole protection
1015	15100		20U	bt		Booster pump

vsezip.ru

+7(812)987-08-81 07\_002\_e

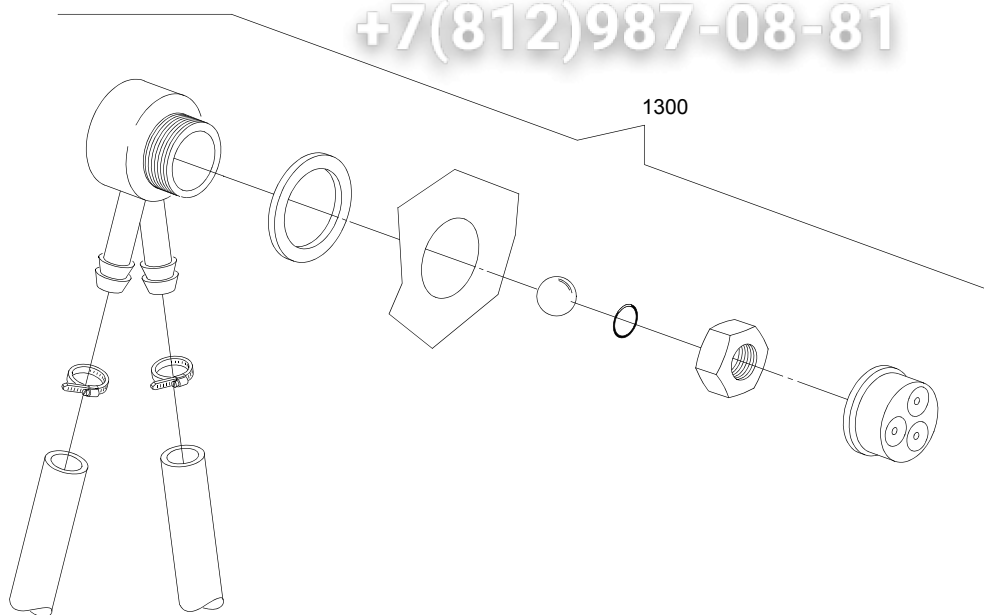


vsezip.ru

ID	P-code	Model	Type	Accessory	Voltage	Description
MODULE:Booster pump						
1100	15100		20U	bp		Booster pump

vsezip.ru

+7(812)987-08-81

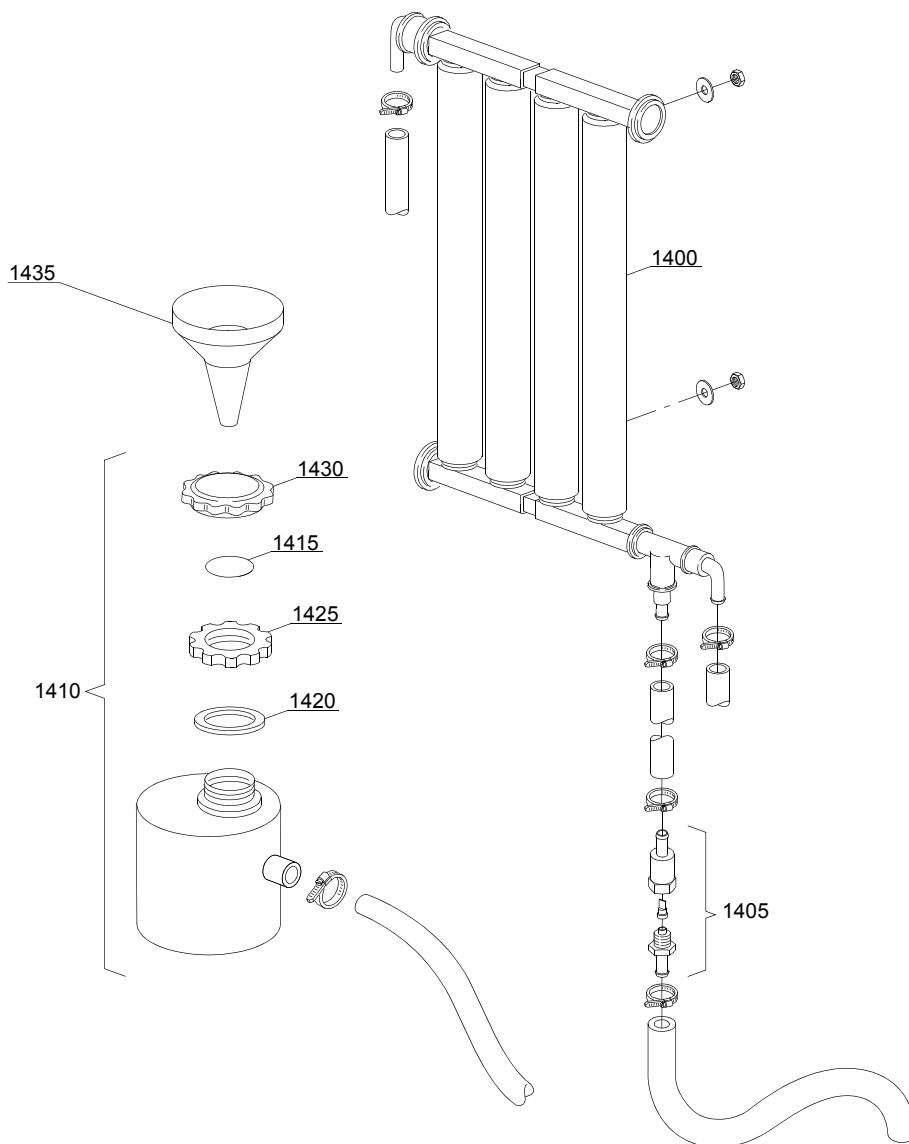


08\_005\_e

vsezip.ru

ID	P-code	Model	Type	Accessory	Voltage	Description
MODULE:DVGW						
1300	999900006		20U	dvgw		DVGW assembly

09\_001\_e



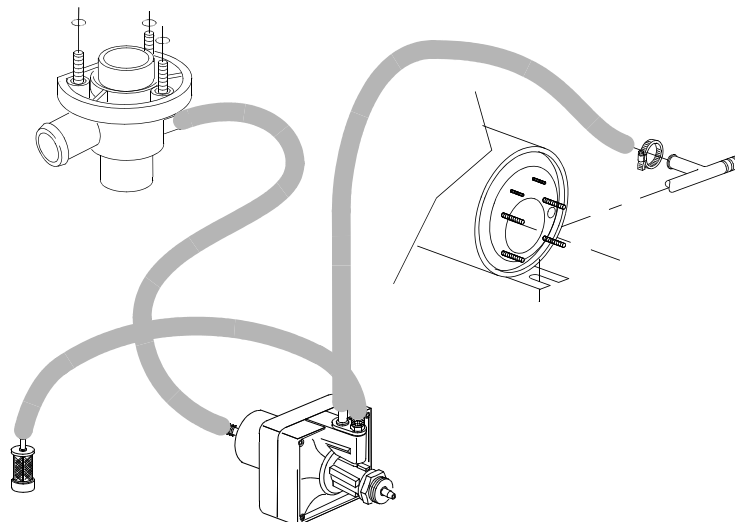
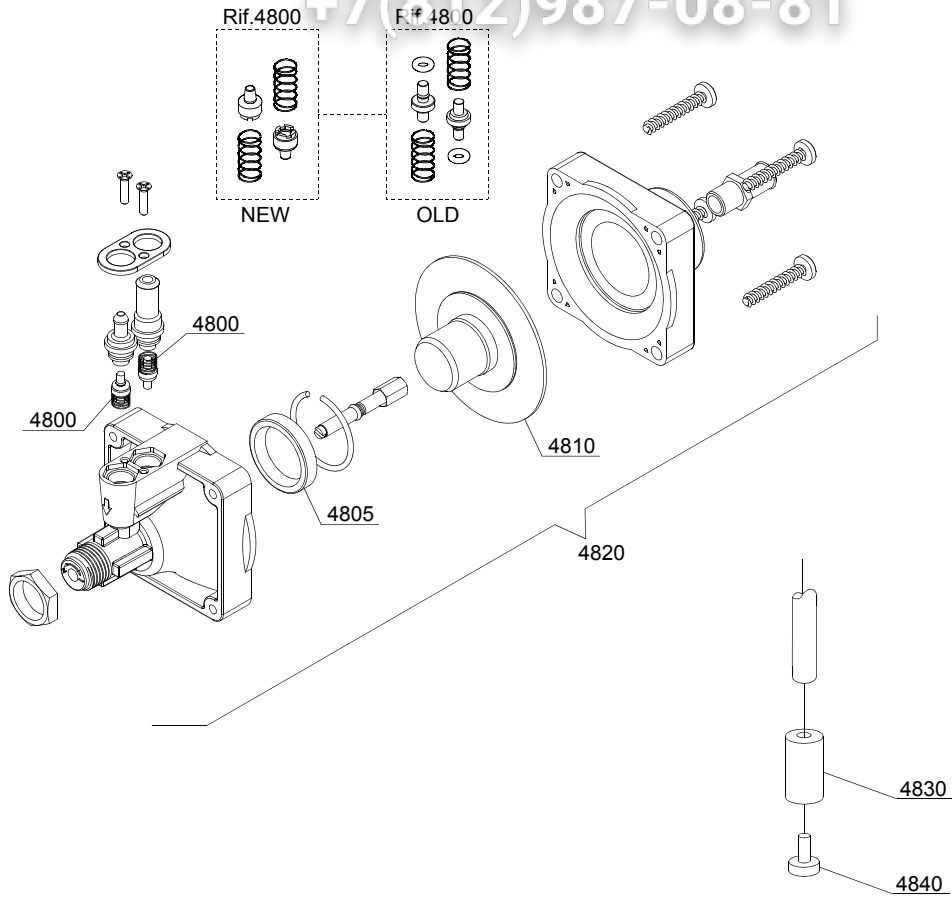


vsezip.ru

ID	P-code	Model	Type	Accessory	Voltage	Description
MODULE:Water softner group						
1400	16066		20U	ws		4 elements water softner
1405	16070		20U	ws		Nonreturn valve
1410	16065		20U	ws		Salt container
1415	16067/A		20U	ws		OR gasket
1420	16067/B		20U	ws		Gasket
1425	16067/C		20U	ws		Ring nut
1430	16067/D		20U	ws		Plug
1435	16082		20U	ws		Funnel

vsezip.ru

+7(812)987-08-81



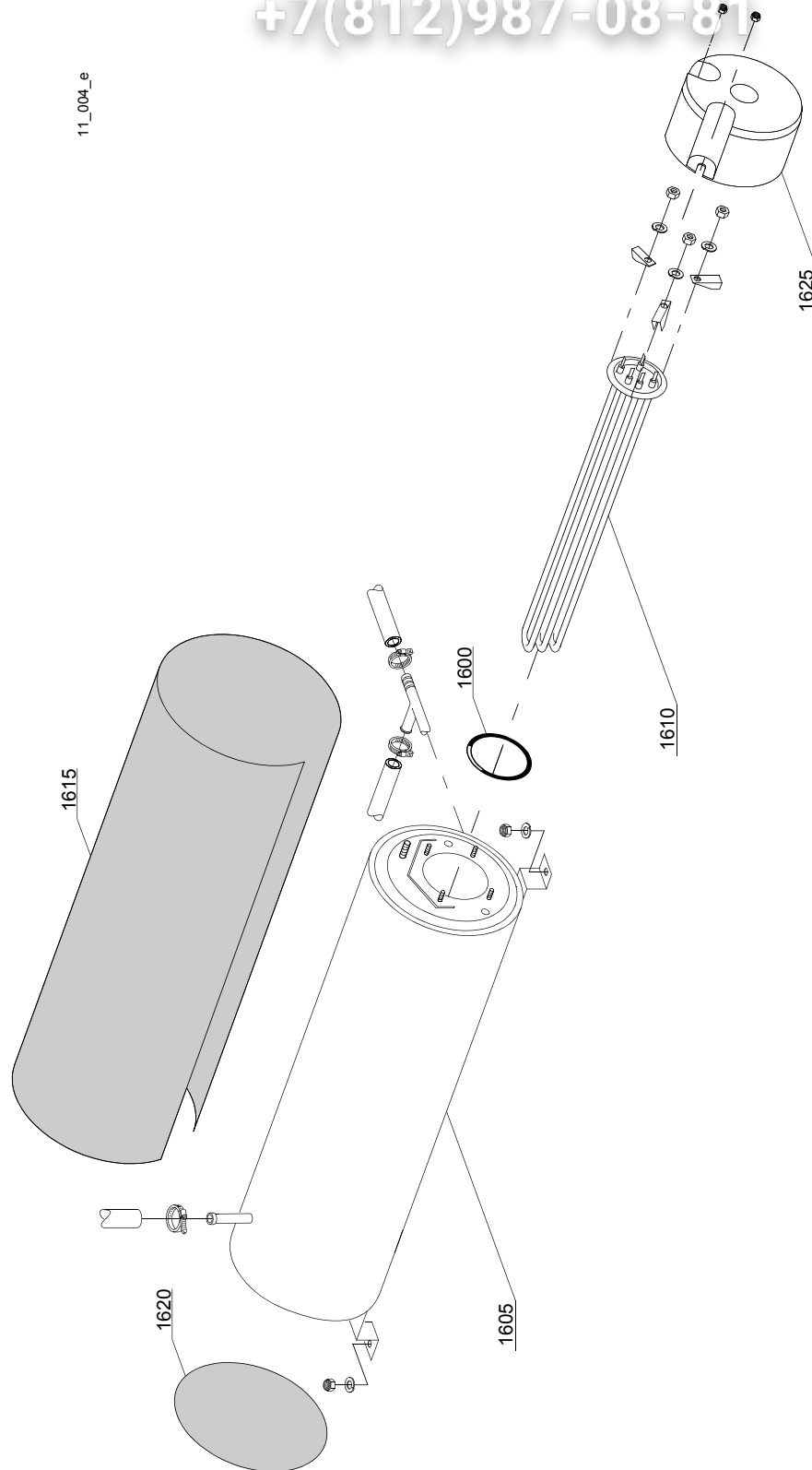
10\_004\_e

vsezip.ru

ID	P-code	Model	Type	Accessory	Voltage	Description
MODULE:Shining product dosing device group						
4800	10805		20U			Tecnopro dosing valve
4805	10806		20U			O22 gasket
4810	10807		20U			Membrane
4820	10799		20U			Shining product dosing device
4830	12525		20U			Counter-weight
4840	15058		20U			Small filter

vsezip.ru

+7(812)987-08-81

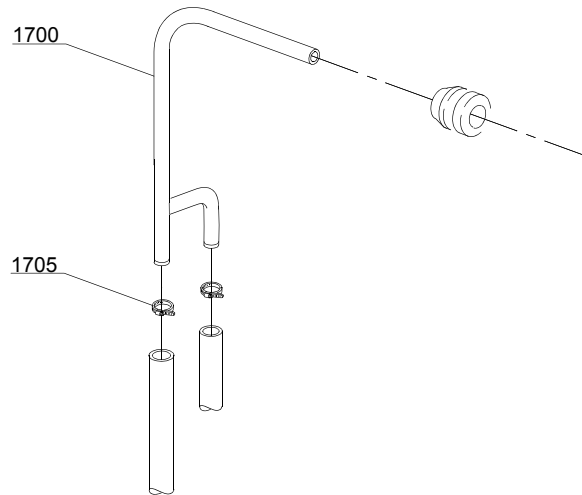


vsezip.ru

ID	P-code	Model	Type	Accessory	Voltage	Description
MODULE:Boiler group						
1600	13015		20U			6225 OR 160 NBR gasket
1605	22002		20U			Boiler
1610	30001010		20U			6KW heating element
1615	30002030		20U			Insulating boiler
1620	75205		20U			O160 bottom

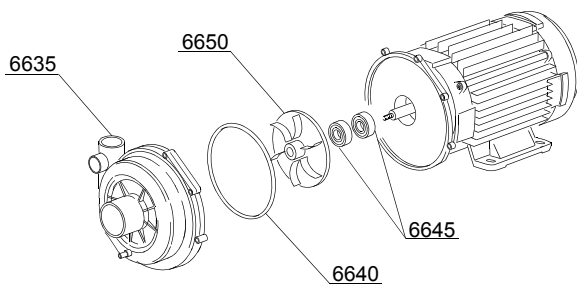
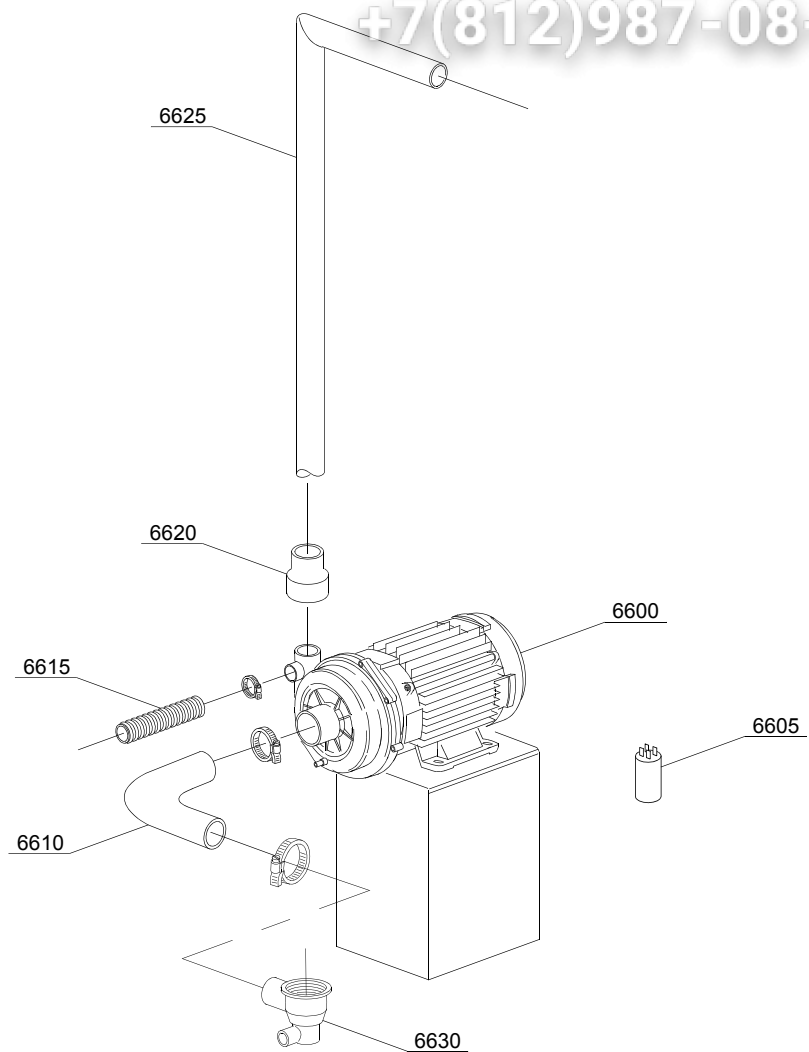
vsezip.ru

+7(812)987-08-81 12\_107



vsezip.ru

ID	P-code	Model	Type	Accessory	Voltage	Description
MODULE:Derivation group						
1700	15045/B		20U			3 ways derivation
1705	11807		20U			12/22 clamp



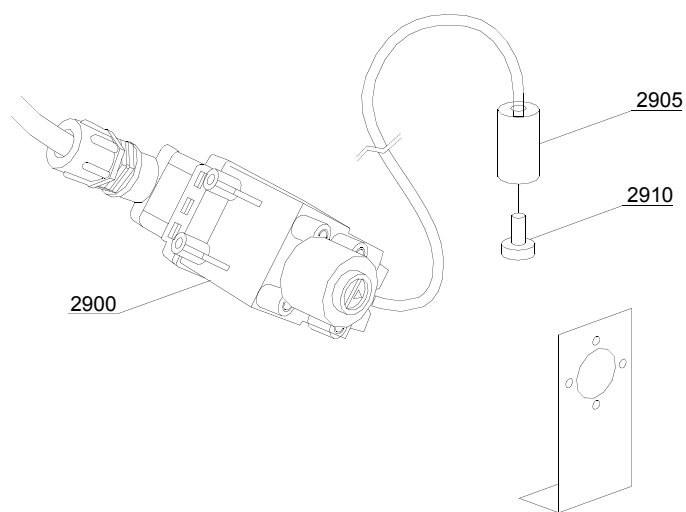
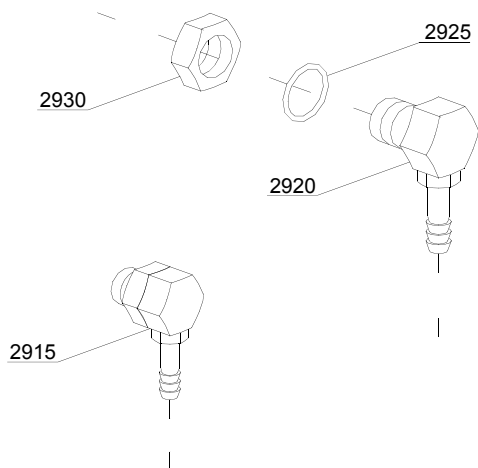


vsezip.ru

ID	P-code	Model	Type	Accessory	Voltage	Description
MODULE:Wash pump						
6600	22009		20U			1,5Hp pump
6605	10702		20U			5 uF condenser
6610	550224		20U			Suction pipe coupling
6615	15033/A		20U			Lower delivery wash pipe
6620	15034		20U			Reduction pipe coupling
6625	550301		20U			Top wash ramp
6630	500603		20U			Scrap tray
6635	15078		20U			Scroll
6640	15080/A		20U			Gasket
6645	15080		20U			Rotating seals
6650	22009/A		20U			Pump rotor

vsezip.ru

+7(812)987-08-81 14\_002\_e

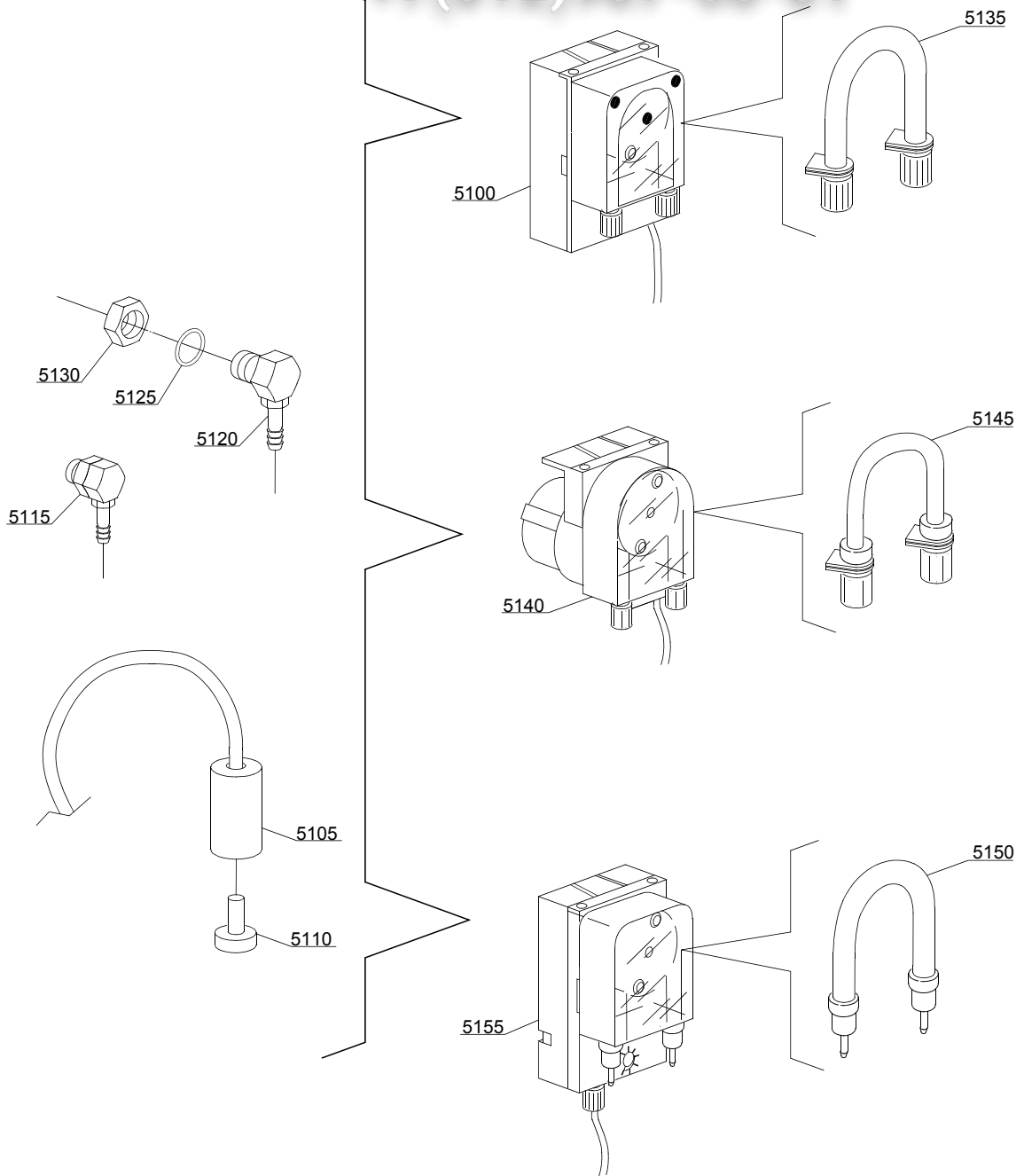


vsezip.ru

ID	P-code	Model	Type	Accessory	Voltage	Description
MODULE:Dosing device group						
2900	15108/L		20U	dd		Lang dosing device
2905	12525		20U	dd		Counter-weight
2910	15058		20U	dd		Small filter
2915	15123		20U	dd		Compleat plastic injector
2920	15148		20U	dd		Steel injector
2925	15159		20U	dd		OR gasket
2930	10200205		20U	dd		M12x1 stainless steel nut

vsezip.ru

+7(812)987-08-81

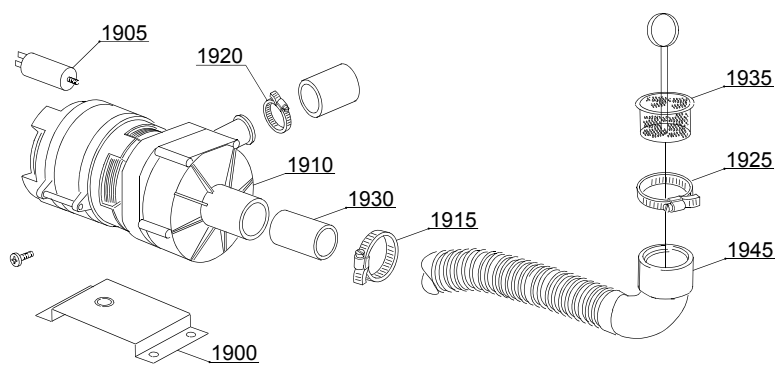


14\_004\_e

vsezip.ru

ID	P-code	Model	Type	Accessory	Voltage	Description
MODULE:Dosing device group						
5100	15985		20U	dd		Seko dosing device
5105	12525		20U	dd		Counter-weight
5110	15058		20U	dd		Small filter
5115	15123		20U	dd		Complet plastic injector
5120	15148		20U	dd		Steel injector
5125	15159		20U	dd		OR gasket
5130	10200205		20U	dd		M12x1 stainless steel nut
5135	15185		20U	dd		Ø 10 Seko thermoplastic pipe
5140	15985		20U	dd		Germac dosing device
5145	15108/E		20U	dd		Ø 8 Germac thermoplastic pipe
5150	15985/A		20U	dd		Ø 10 PLAS CONT thermoplastic pipe
5155	15985		20U	dd		PLAS CONT detergent pipe

15\_003\_e

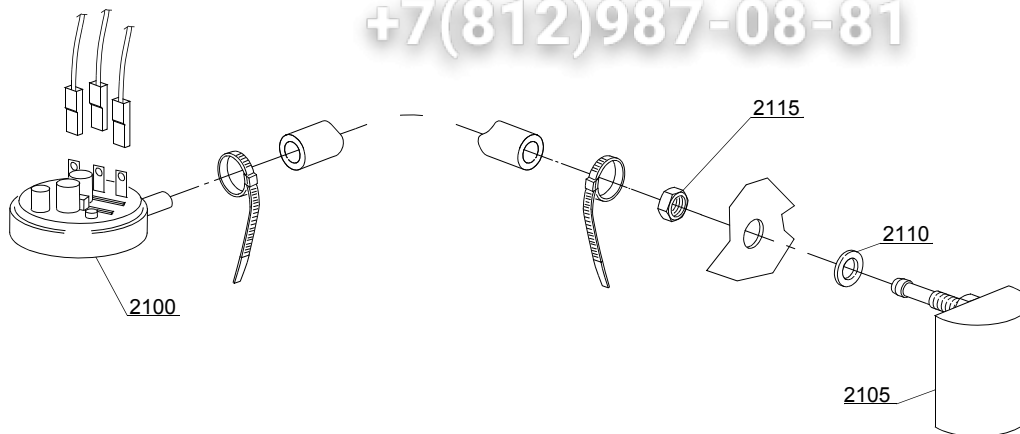


vsezip.ru

ID	P-code	Model	Type	Accessory	Voltage	Description
MODULE: Drain pump group						
1900	440122		20U	dp		Pump support
1905	10702		20U	dp		5 uF condenser
1910	10501/A		20U	dp		Drain pump
1915	11806		20U	dp		25/40 clamp
1920	11836		20U	dp		20/32 clamp
1925	11809		20U	dp		30/45 clamp
1930	18044		20U	dp		Suction pipe

vsezip.ru

+7(812)987-08-81



16\_001\_e

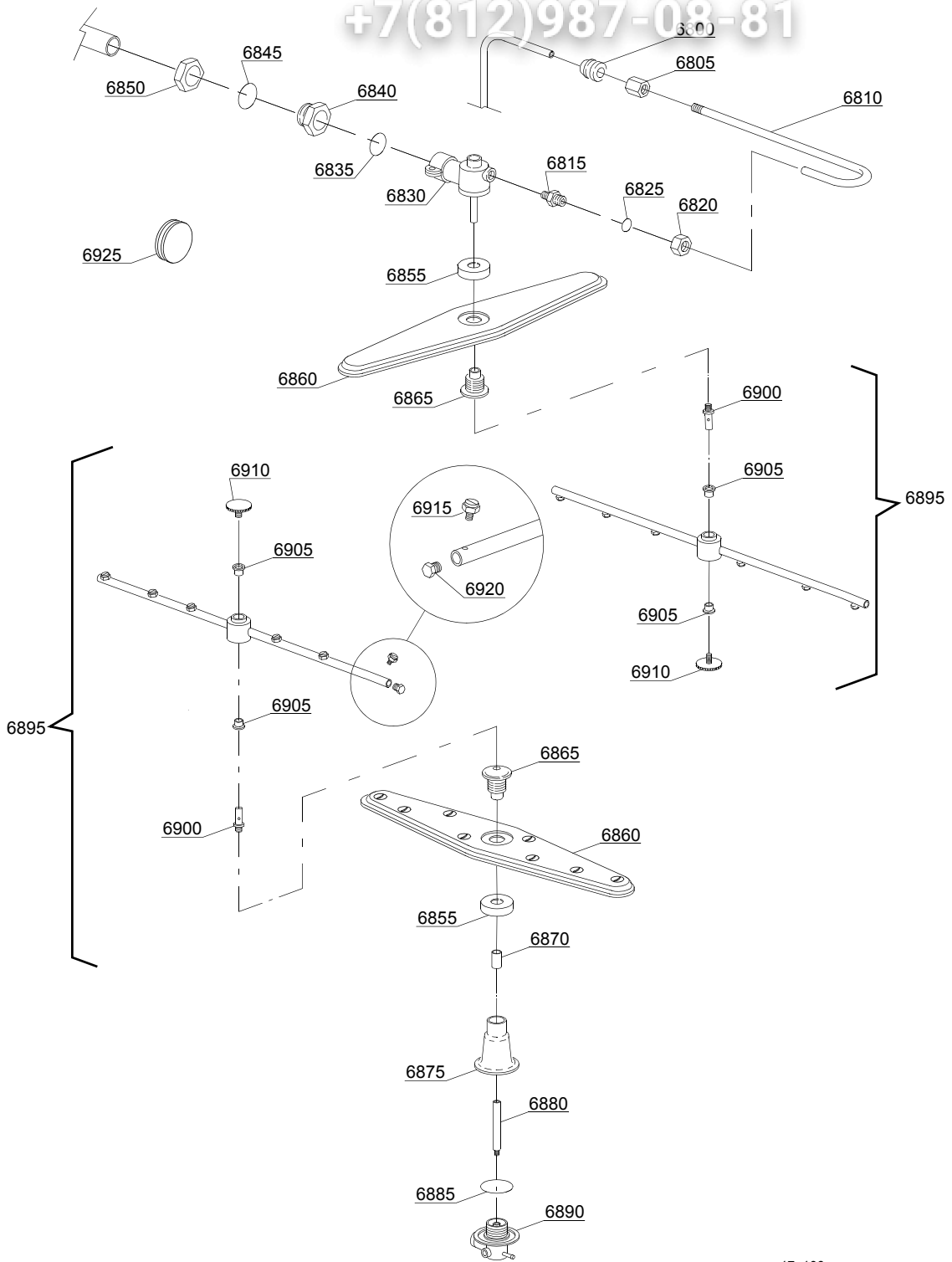


vsezip.ru

ID	P-code	Model	Type	Accessory	Voltage	Description
MODULE:Pressure switch group with air trap						
2100	10300026		20U			76-38 pressure switch
2105	10911/C		20U			Air trap assembly
2110	13301		20U			Gasket
2115	11702		20U			M8 stainless steel nut

vsezip.ru

+7(812)987-08-81



17\_106\_e

vsezip.ru

ID	P-code	Model	Type	Accessory	Voltage	Description
MODULE:Turret group with rotating arms						
6800	13304		20U			Pipe-pass gasket
6805	12526		20U			Stainless steel pipe coupling
6810	15045		20U			Top rinse ramp
6815	12006		20U			O10 rinse pipe fitting
6820	12006/A		20U			O10 pipe fitting 3/8x3,5 nut 19 hexagonal
6825	13003		20U			OR 112 NBR gasket
6830	550914		20U			Wash/rinse top distributor assembly
6835	13004		20U			OR 3137 NBR gasket
6840	15042		20U			"1" 1/4 ring nut"
6845	13008		20U			OR 147 NBR gasket
6850	15042/A		20U			Nut
6855	75317		20U			Nut for hub
6860	75915		20U			Stainless steel wash rotor
6865	75316		20U			Hub for rotor
6870	550220		20U			Hub rotor/pipe coupling spacer
6875	550223		20U			Lower pipe coupling
6880	550219		20U			Rinse lower distributor connection axle
6885	13015		20U			6225 OR 160 NBR gasket
6890	500612		20U			Top/lower turret
6895	75918		20U			Top/lower rinse group
6900	75323		20U			Rinse axle
6905	13330		20U			Sliding washer
6910	11101/B		20U			Stainless steel group fixing screw
6915	560018		20U			Stainless steel rinse nozzle
6920	560017		20U			Rinse arm plug
6925	13316/A		20U			DVGW hole gasket