

Зип Общепит

vsezip.ru

+7(812)987-08-81

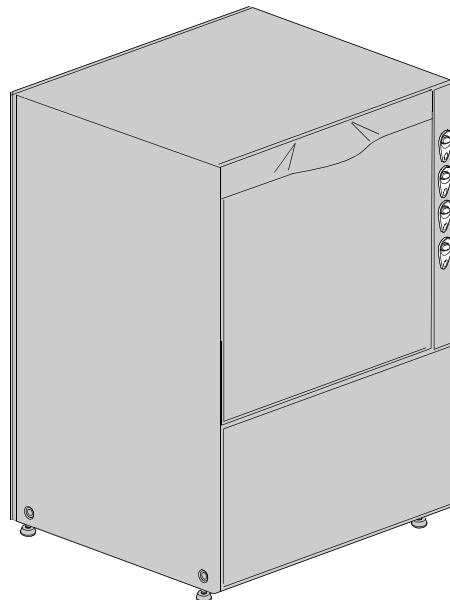
DISHWASHER

ELECTROMECHANICAL SWITCHES
LOWER WASHING
LOWER AND UPPER WASHING

TYPE: 6U

Accessories
BREAK TANK
BOOSTER PUMP
DVGW
COLD RINSE
WATER SOFTNER
DETERGENT DISPENSER
DRAIN PUMP

Spare Parts Manual



INFORMAZIONI GENERALI

Questo catalogo serve per richiedere con esattezza le parti di ricambio

Nelle ordinazioni indicare:

1) il numero dei codici dei particolari seguito dalla descrizione e la quantità desiderata;

2) Il codice alfa-numerico presente nella seconda colonna della tabella ;

I disegni delle parti di ricambio sono solo indicativi e non rappresentano il pezzo in oggetto.

I dati contenuti in questo catalogo sono indicativi e possono essere soggetti a modifiche senza impegno di preavviso.

ALLGEMEINE INFORMATIONEN

Dieser Ersatzteilkatalog dient zur genauen Angabe der Teile bei Ersatzteilbestellungen.

Bei Ersatzbestellung ist folgendes anzugeben:

1) Die Bestellnummer der Ersatzteile mit der entsprechenden Beschreibung genaue Menge;

2) Der alpha-numerischer Code auf der zweiten Reihe in dein Sculd;

Die Zeichnungen der Ersatzteile sind nur als Hinweise gedacht und stellen nicht das betroffene Teil dar.

Bei den im Katalog angeführten Daten handelt es sich um Anhaltsdaten, die jederzeit, ohne Vorankündigung, geändert werden können.

GENERAL INFORMATION

The present spare parts order exactly the right spare parts

When ordering specify:

1) the part's code number followed by its description and quantity needed;

2) The alpha-numeric code is in the second column in the chart;

Spare parts drawings are general and do not represent the part.

The contents of this catalogue are general and can undergo changes without prior notice.

INFORMACIONES GENERALES

El presente catálogo sirve para pedir con exactitud las partes de repuesto

En los pedidos se debe indicar:

1) el número de código de la parte y a continuación la descripción cantidad deseada;

2) El código alfanumerico presente en la segnada columna de la tabla;

Los diseños de las partes de recambio son solo indicativos y no representan la pieza en cuestión.

Los datos contenidos en el presente catálogo son indicativos y pueden modificarse sin aviso previo.

INFORMATIONS GENERALES

Ce catalogue permet de commander correctement les pièces détachées

Les commandes doivent être passées en indiquant:

1) le numero de code des pièces détachées suivi de leur description quantité désirée;

2) le code alphanumérique dans la deuxième colonne du tableau;

Les plans des pièces détachées sont fournis seulement à titre indicatif et ne représentent pas la pièce concernée.

Les données de ce catalogue sont citées seulement à titre indicatif et peuvent être l'objet de modifications sans avis préalable.

**ESEMPIO
EXAMPLE
EXEMPLE
BEISPIEL**

| Rif. | Codici |
|--------------------|---------|
| MODULE:Particolari | |
| 10505 | 540903 |
| 10510 | 540908 |
| 10515 | 15065/A |
| 10520 | 540086 |
| 10525 | 540028 |

Note

Tutte le informazioni riportate si intendono aggiornate alla data di stampa. Il Produttore si riserva il diritto di apportare qualsiasi modifica richiesta dallo sviluppo evolutivo dei suddetti prodotti.

Per la sicurezza, la garanzia, l'affidabilità ed il valore della lavastoviglie usa solo ricambi originali. **Per alcuni codici, sono richieste quantità minime d'ordine.**

Attenzione

Questo libretto è parte integrante della lavastoviglie e, in caso di passaggio di proprietà, deve essere consegnato al nuovo acquirente.

Remarque

Toutes les informations contenues dans ce manuel s'entendent mises à jour à la date d'impression. En raison du développement constant de ses produits, usine se réserve le droit d'apporter à tout instant les modifications qu'elle jugera utiles.

Pour la sécurité, la garantie, la fiabilité et la valeur de votre lavevaisselles n'utilisez que des pièces de rechange d'origine. **Pour quelque référence on demande un minimum de pièces par commande**

Attention

Ce manuel doit être considéré comme partie intégrante de la lavevaisselles, en cas de transfert de propriété, doit toujours être remis au nouveau propriétaire.

Note

The information contained herein is valid at the time of going to print. The Company reserves the right to make any changes required by the future development of the above-mentioned products.

For your safety, as well as to preserve the warranty reliability and worth of your dishwashers, use original spare parts only. **For some codes a minimum quantity for order is required.**

Warning

This manual forms an integral part of the dishwashers and - if a transfer of title occurs - must always be handed over to the new owner.

Hinweis

Die Der Hersteller behält sich das Recht vor, jegliche, durch eine Weiterentwicklung der genannten Produkte bedingte Änderungen vornehmen zu können.

Verwenden Sie für Ihre Sicherheit, die Garantie, die Zuverlässigkeit und den Wert Ihrer machine originale Ersatzteile. **Für bestimmte Code nummer werden mindesten bestellungen verlangt.**

Achtung

Diese Betriebsanleitung ist Bestandteile des machine und muss bei seinem Weiterverkauf dem neuen Besitzer ausgehändigt werden.

vsezip.ru
+7(812)987-08-81

Code 999XXYYYY **CL/Part**

Model DESCRIPTION

S/N 04012345 Type

400VAC3N 50HZ 8A
3500W 500W

16A

IPX3

Pressione Dinamica alimentazione idrica **200-500**
 Pression dynamique arrivée d'eau
 Dynamic pressure water supply
 Dynamischer Druck assereinlauf

Pressione dinamica vapore saturo
 Pression dynamique vapeur saturée
 Dymanscher Druck gesattigter Dampf
 Pression Dinamica Vapor Saturado

TECHICAL SPECIFICATION

MADE IN ITALY

Temperatura massima acqua in ingresso **60°C**
 Temperature max eau a l'entre
 Maximale Temperatur Wasseranschluß
 Maximum Water temperature in-feeding

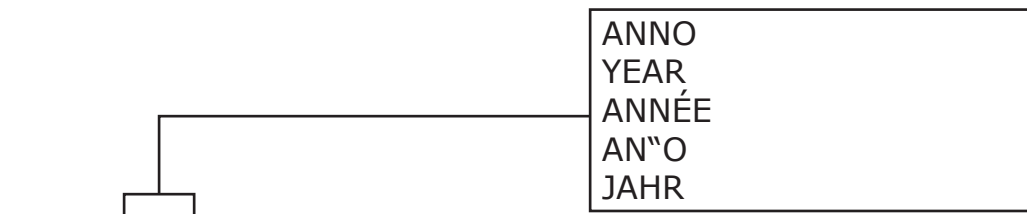
Model

S/N



FAMIGLIA PRODOTTO
 FAMILY PRODUCT
 FAMILLE DU PRODUIT
 FAMILIA PRODUCTO
 FAMILIE DES PRODUKTES

CODICE MODELLO
 CODE MODEL
 CODE ARTICLE
 CODIGO MODELO
 KODE VON MODELL



ANNO
 YEAR
 ANNÉE
 AN"O
 JAHR

NUMERO DI SERIE
 SERIAL NUMBER
 NUMÉRO DI SÉRIE
 NUMERO DI SERIE
 SERIENNUMMER

Spare parts

Зип Общепит

vsezip.ru

+7(812)987-08-81

vsezip.ru

+7(812)987-08-81

1. Spare parts

| | |
|----------------------------------|----|
| General body parts..... | 7 |
| Lockup system | 9 |
| Control panel and switches..... | 11 |
| Electric control components..... | 13 |
| Solenoid valve group | 15 |
| Solenoid valve group | 17 |
| Solenoid valve group | 19 |
| Break Tank | 21 |
| Break Tank | 23 |
| Booster pump..... | 25 |
| DVGW | 27 |
| Water softner group..... | 29 |
| Rinse aid dispenser group..... | 31 |
| Rinse aid dispenser group..... | 33 |
| Boiler group | 35 |
| 3 ways connection | 37 |

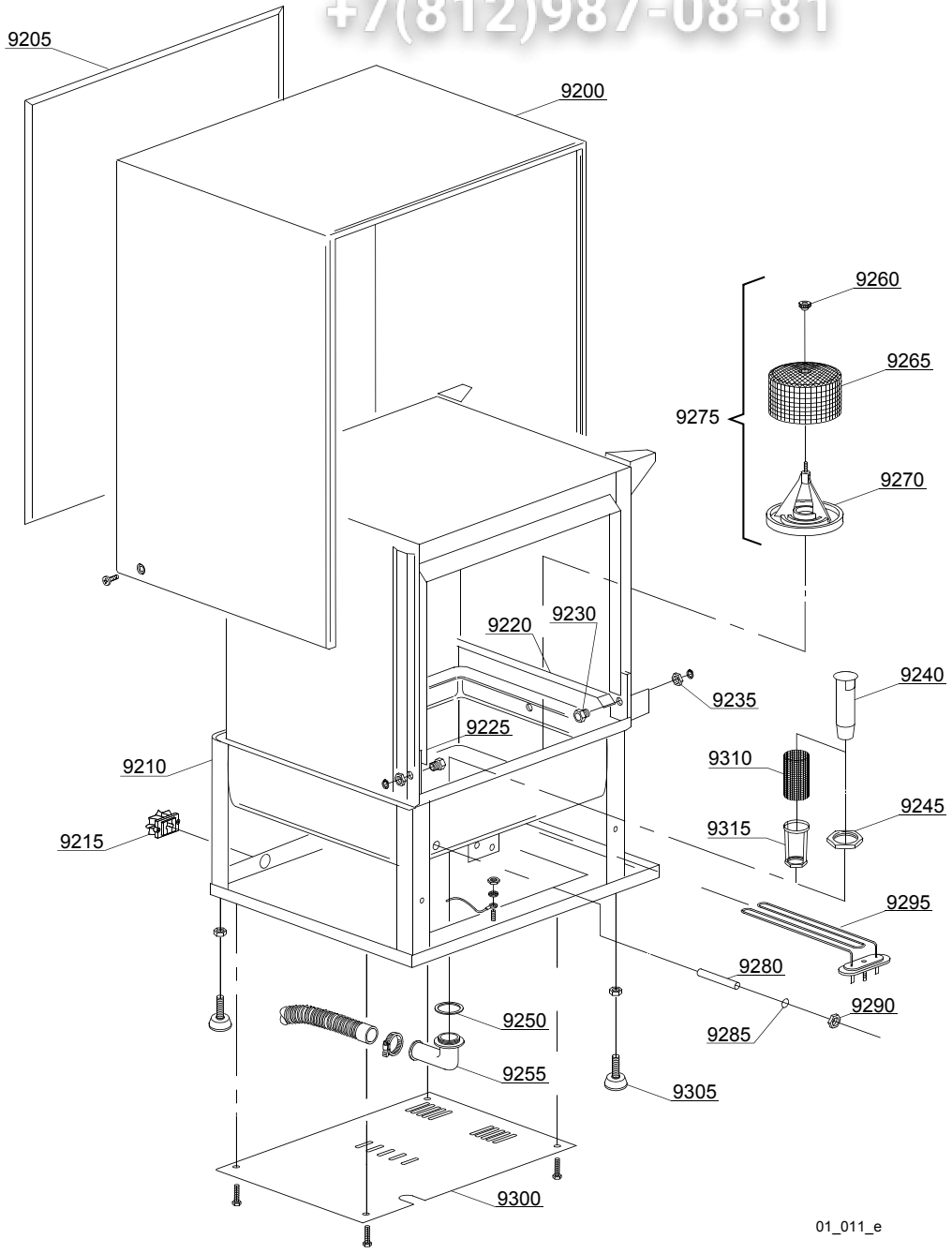
| | |
|--|-----------|
| 4 ways connection | 39 |
| Wash pump | 41 |
| Wash pump | 43 |
| Dosing detergent group..... | 45 |
| Drain pump group..... | 47 |
| Pressure switch group with air trap ... | 49 |
| Turret group with rotating arms | 51 |
| Turret group with rotating arms | 55 |

1.1 Voltage codes

| Volt | Voltage code |
|------|-------------------------|
| A | 3/N/PE~380-400V 50-60Hz |
| D | 3/PE~200-210V 50-60Hz |
| F | 2/PE~220-240V 50-60Hz |
| G | 3/N/PE~415V 50-60Hz |
| H | 3/PE~220-230V 50-60Hz |
| K | 3/PE~380-400V 50-60Hz |
| L | 3/PE~415V 50-60Hz |
| M | 3/PE~440V 60Hz |
| P | 1/N/PE~220-230V 50-60Hz |
| R | 2/PE~220-240V 50-60Hz |
| U | 1/N/PE~240V 50-60Hz |
| V | 3/PE~240V 50-60Hz |
| W | 1/N/PE~100-110V 50-60Hz |

1.2 Product codes

| Product code | Full name |
|-----------------|----------------------------|
| Model codes | |
| em | ELECTROMECHANICAL SWITCHES |
| lw | LOWER WASHING |
| uw | LOWER AND UPPER WASHING |
| Type codes | |
| 6U | 6U |
| Accessory codes | |
| bt | BREAK TANK |
| bp | BOOSTER PUMP |
| dvgw | DVGW |
| cr | COLD RINSE |
| ws | WATER SOFTNER |
| dd | DETERGENT DISPENSER |
| dp | DRAIN PUMP |



01_011_e

| ID | P-code | SN from | SN to | Mod. | Acces. | Volt | Description |
|----------------------------------|---------|---------|-------|------|--------|------|--|
| Module:General body parts | | | | | | | |
| 9200 | 16007 | | - | | | | Cover |
| 9205 | 16010 | | - | lw | | | Back panel |
| 9205 | 16011 | | - | uw | | | Back panel |
| 9210 | 16982 | | - | | | | Body |
| 9210 | 16981 | | - | | ws | | Body |
| 9215 | 15065/A | | - | | | | Cable-fastener with screw |
| 9220 | 16914 | | - | | | | Right internal slide |
| 9225 | 16914/A | | - | | | | Left internal slide |
| 9230 | 11835 | | - | | | | Brass bush with nut |
| 9235 | 11815 | | - | | | | Ø8 stainless steel snap ring (minimum 5 pieces) |
| 9240 | 16052 | | - | | | | Overflow pipe |
| 9245 | 11701/A | | - | | | | Stainless steel nut |
| 9250 | 13305 | | - | | | | 44x32x3 O-ring (minimum 5 pieces) |
| 9255 | 10701 | | - | | | | Drain elbow |
| 9260 | 11713 | | - | | | | Nut for filter fixing |
| 9265 | 16050 | | - | | | | Stainless steel net filter |
| 9270 | 16051 | | - | | | | Filter bottom Ø30 hole |
| 9270 | 16051/A | | - | | | | Filter bottom Ø50 hole |
| 9275 | 16906 | | - | | | | Ø30 suction filter |
| 9275 | 16906/A | | - | | | | Ø50 suction filter |
| 9280 | 12510 | | - | | | | Thermostat feeler-holder |
| 9285 | 13309 | | - | | | | 10x14x1,5 O-ring (minimum 20 pieces) |
| 9290 | 11714 | | - | | | | M10x1 stainless steel nut for thermostat feeler-holder |
| 9295 | 16035/A | | - | | | | 1,85/2,02KW 230/240V heating element |
| 9300 | 16086 | | - | | | | End piece protection |
| 9305 | 10786 | | - | | | | M10x25 Ø40 black foot (minimum 4 pieces) |
| 9310 | 440751 | | - | | dp | | Drain pump stainless steel filter |
| 9315 | 11701/B | | - | | dp | | Stainless steel nut |

em=ELECTROMECHANICAL SWITCHES, lw=LOWER WASHING, uw=LOWER AND UPPER WASHING

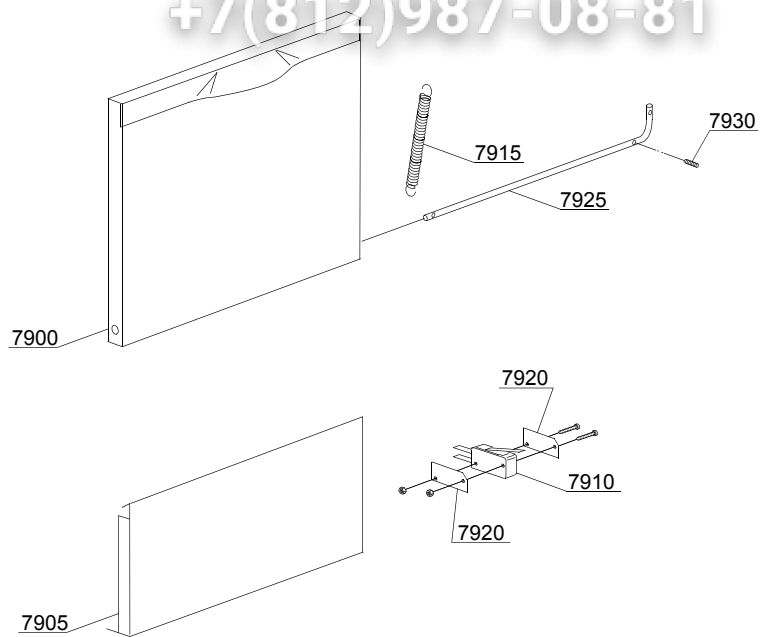
6U=6U

bt=BREAK TANK, bp=BOOSTER PUMP, dvgw=DVGW, cr=COLD RINSE, ws=WATER SOFTNER, dd=DETERGENT DISPENSER, dp=DRAIN PUMP

A=3/N/PE~380-400V 50-60Hz, D=3/PE~200-210V 50-60Hz, F=2/PE~220-240V 50-60Hz, G=3/N/PE~415V 50-60Hz, H=3/PE~220-230V 50-60Hz, K=3/PE~380-400V 50-60Hz, L=3/PE~415V 50-60Hz, M=3/PE~440V 60Hz, P=1/N/PE~220-230V 50-60Hz, R=2/PE~220-240V 50-60Hz, U=1/N/PE~240V 50-60Hz, V=3/PE~240V 50-60Hz, W=1/N/PE~100-110V 50-60Hz

vsezip.ru

+7(812)987-08-81



02_107_e

vsezip.ru

| ID | P-code | SN from | SN to | Mod | Acces. | Volt | Description |
|------------------------------|---------|---------|-------|-----|--------|------|--|
| Module: Lockup system | | | | | | | |
| 7900 | 16972 | | - | | | | Door with steel handle |
| 7905 | 16016 | | - | | | | Lower door |
| 7910 | 10704 | | - | | | | Door microswitch |
| 7915 | 10700/B | | - | | | | Spring |
| 7920 | 10770 | | - | | | | Insulation for door microswitch (minimum 3 pieces) |
| 7925 | 16046 | | - | | | | Door rod |
| 7930 | 11170 | | - | | | | M5x25 grub-screw (minimum 2 pieces) |

em=ELECTROMECHANICAL SWITCHES, lw=LOWER WASHING, uw=LOWER AND UPPER WASHING

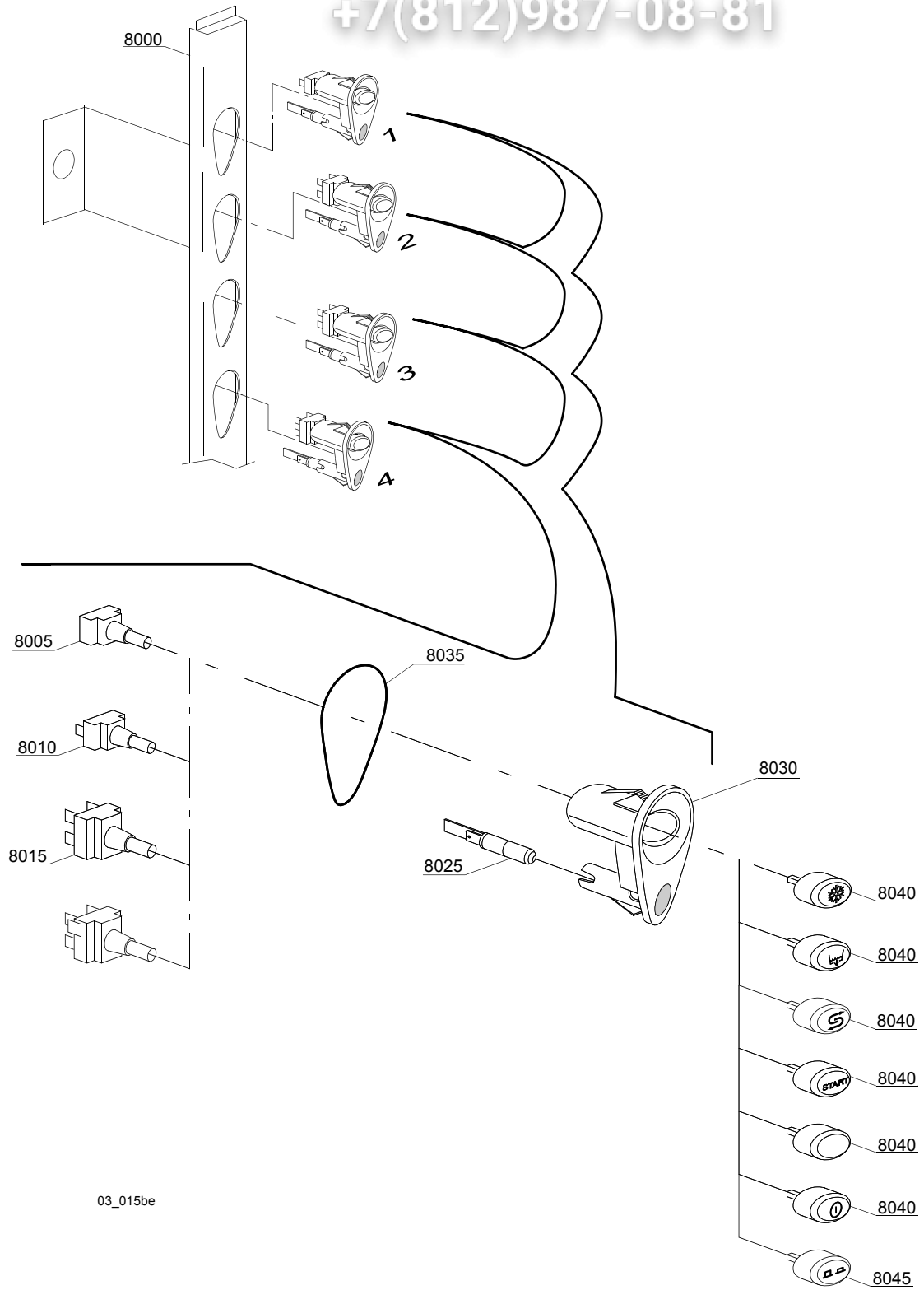
6U=6U

bt=BREAK TANK, bp=BOOSTER PUMP, dvgw=DVGW, cr=COLD RINSE, ws=WATER SOFTNER, dd=DETERGENT DISPENSER, dp=DRAIN PUMP

A=3/N/PE~380-400V 50-60Hz, D=3/PE~200-210V 50-60Hz, F=2/PE~220-240V 50-60Hz, G=3/N/PE~415V 50-60Hz, H=3/PE~220-230V 50-60Hz, K=3/PE~380-400V 50-60Hz, L=3/PE~415V 50-60Hz, M=3/PE~440V 60Hz, P=1/N/PE~220-230V 50-60Hz, R=2/PE~220-240V 50-60Hz, U=1/N/PE~240V 50-60Hz, V=3/PE~240V 50-60Hz, W=1/N/PE~100-110V 50-60Hz

vsezip.ru

+7(812)987-08-81



03_015be

| ID | P-code | SN from | SN to | Mod | Acces. | Volt | Description |
|--|---------|---------|-------|-----|--------|------|-------------------------------|
| Module:Control panel and switches | | | | | | | |
| 8000 | 16939 | | - | em | | | Control panel |
| 8005 | 15844 | | - | em | | | Push button support |
| 8010 | 15813 | | - | em | | | 16A unipolar switch |
| 8015 | 15800 | | - | em | | | 16A bipolar switch |
| 8015 | 15812 | | - | em | | | 16A switch |
| 8020 | 15811 | | - | em | | | 16A bipolar switch |
| 8020 | 15811/A | | - | em | | | 16A bipolar switch |
| 8025 | 15826 | | - | em | | | Pilot light |
| 8030 | 89300 | | - | em | | | Push button support |
| 8035 | 89332 | | - | em | | | OR O-ring (minimum 10 pieces) |
| 8040 | 89344 | | - | em | cr | | Hot/cold push button |
| 8040 | 89343 | | - | em | dp | | Drain pump push button |
| 8040 | 89341 | | - | em | | | Start push button |
| 8040 | 89348 | | - | em | | | Blind push button |
| 8040 | 89340 | | - | em | | | ON-OFF push button |
| 8040 | 89345 | | - | em | ws | | Regeneration push button |

em=ELECTROMECHANICAL SWITCHES, lw=LOWER WASHING, uw=LOWER AND UPPER WASHING

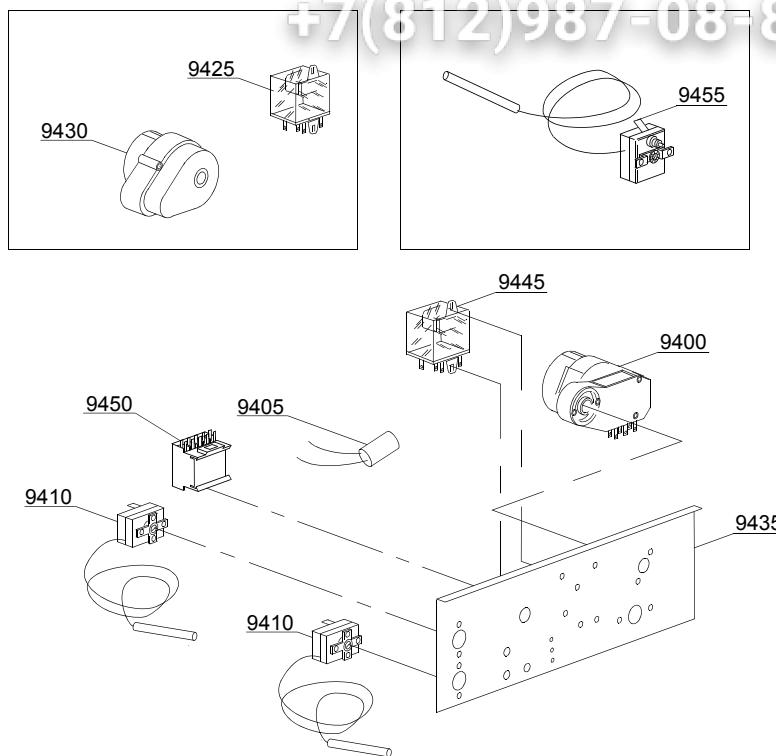
6U=6U

bt=BREAK TANK, bp=BOOSTER PUMP, dvgw=DVGW, cr=COLD RINSE, ws=WATER SOFTNER, dd=DETERGENT DISPENSER, dp=DRAIN PUMP

A=3/N/PE~380-400V 50-60Hz, D=3/PE~200-210V 50-60Hz, F=2/PE~220-240V 50-60Hz, G=3/N/PE~415V 50-60Hz, H=3/PE~220-230V 50-60Hz, K=3/PE~380-400V 50-60Hz, L=3/PE~415V 50-60Hz, M=3/PE~440V 60Hz, P=1/N/PE~220-230V 50-60Hz, R=2/PE~220-240V 50-60Hz, U=1/N/PE~240V 50-60Hz, V=3/PE~240V 50-60Hz, W=1/N/PE~100-110V 50-60Hz

vsezip.ru

+7(812)987-08-81



04_010_e

vsezip.ru

| ID | P-code | SN from | SN to | Mod. | Acces. | Volt | Description |
|--|---------|---------|-------|------|--------|------|---|
| Module: Electric control components | | | | | | | |
| 9400 | 10708/L | | - | | | A | 120" timer - 230Vac 50Hz |
| 9400 | 10708/B | | - | | | | 120" timer - 220Vac 60Hz |
| 9400 | 10708/T | | - | | | | Timer 120" with thermostop - 230Vac 50Hz |
| 9405 | 15146 | | - | | | | Low noise filter |
| 9410 | 10707/1 | | - | | | | 0-90°C thermostat |
| 9425 | 16047 | | - | | ws | | Tripolar relay 16A - 230Vac 50/60 Hz |
| 9430 | 16064/A | | - | | ws | | Regeneration timer |
| 9435 | 16019/A | | - | | | | Electric components panel |
| 9445 | 15620 | | - | | | | 16A bipolar relay in deviation |
| 9450 | 15086 | | - | | | | Contactora 230V 50/60Hz 4C (for boiler heat.el-em.>3Kw) |
| 9450 | 15086/B | | - | | | | Contactora 240V 50Hz (for boiler heat.elem.>3Kw) |

em=ELECTROMECHANICAL SWITCHES, lw=LOWER WASHING, uw=LOWER AND UPPER WASHING

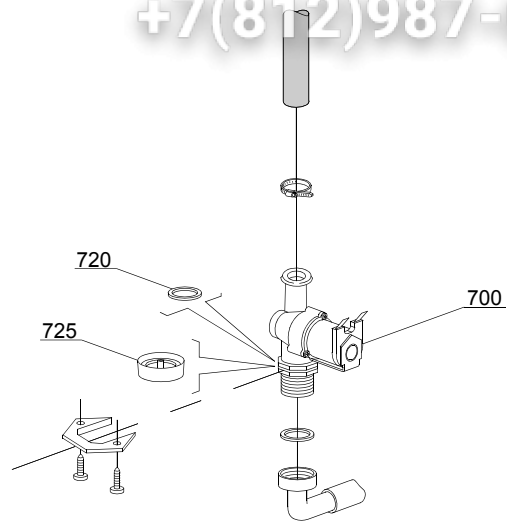
6U=6U

bt=BREAK TANK, bp=BOOSTER PUMP, dvgw=DVGW, cr=COLD RINSE, ws=WATER SOFTNER, dd=DETERGENT DISPENSER, dp=DRAIN PUMP

A=3/N/PE~380-400V 50-60Hz, D=3/PE~200-210V 50-60Hz, F=2/PE~220-240V 50-60Hz, G=3/N/PE~415V 50-60Hz, H=3/PE~220-230V 50-60Hz, K=3/PE~380-400V 50-60Hz, L=3/PE~415V 50-60Hz, M=3/PE~440V 60Hz, P=1/N/PE~220-230V 50-60Hz, R=2/PE~220-240V 50-60Hz, U=1/N/PE~240V 50-60Hz, V=3/PE~240V 50-60Hz, W=1/N/PE~100-110V 50-60Hz

vsezip.ru

+7(812)987-08-81



05_002_e

vsezip.ru

| ID | P-code | SN from | SN to | Mod | Acces. | Volt | Description |
|------------------------------------|--------|---------|-------|-----|--------|------|--------------------------------|
| Module:Solenoid valve group | | | | | | | |
| 700 | 10703 | | - | em | | | Single solenoid valve - 220Vac |
| 720 | N.C. | | - | em | | | Pression reducing valve |

em=ELECTROMECHANICAL SWITCHES, lw=LOWER WASHING, uw=LOWER AND UPPER WASHING

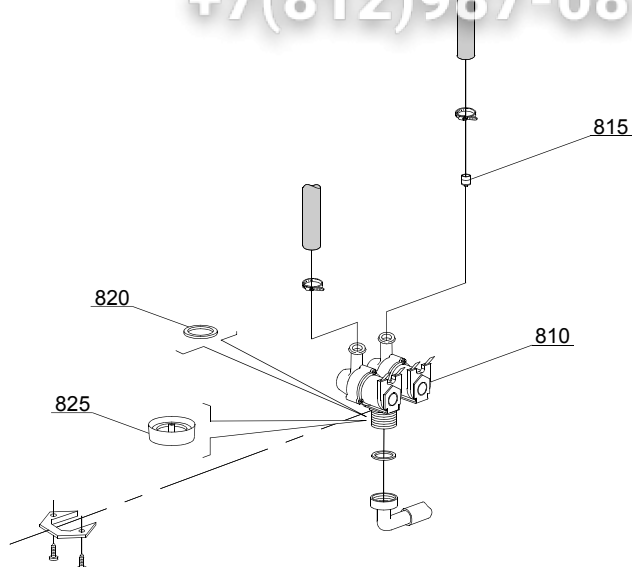
6U=6U

bt=BREAK TANK, bp=BOOSTER PUMP, dvgw=DVGW, cr=COLD RINSE, ws=WATER SOFTNER, dd=DETERGENT DISPENSER, dp=DRAIN PUMP

A=3/N/PE~380-400V 50-60Hz, D=3/PE~200-210V 50-60Hz, F=2/PE~220-240V 50-60Hz, G=3/N/PE~415V 50-60Hz, H=3/PE~220-230V 50-60Hz, K=3/PE~380-400V 50-60Hz, L=3/PE~415V 50-60Hz, M=3/PE~440V 60Hz, P=1/N/PE~220-230V 50-60Hz, R=2/PE~220-240V 50-60Hz, U=1/N/PE~240V 50-60Hz, V=3/PE~240V 50-60Hz, W=1/N/PE~100-110V 50-60Hz

vsezip.ru

+7(812)987-08-81



05_003_e

vsezip.ru

| ID | P-code | SN from | SN to | Mod. | Acces. | Volt | Description |
|------------------------------------|--------|---------|-------|------|--------|------|--------------------------------------|
| Module:Solenoid valve group | | | | | | | |
| 810 | 15098 | | - | em | cr,ws | | Double solenoid valve - Ø10 - 220Vac |
| 820 | N.C. | | - | em | cr,ws | | Pression reducing valve |

em=ELECTROMECHANICAL SWITCHES, lw=LOWER WASHING, uw=LOWER AND UPPER WASHING

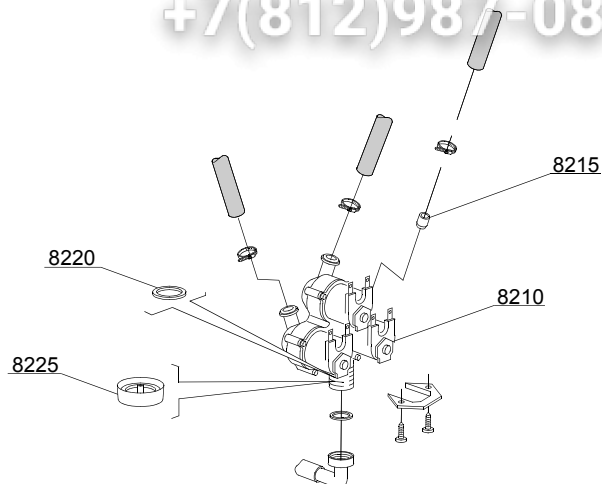
6U=6U

bt=BREAK TANK, bp=BOOSTER PUMP, dvgw=DVGW, cr=COLD RINSE, ws=WATER SOFTNER, dd=DETERGENT DISPENSER, dp=DRAIN PUMP

A=3/N/PE~380-400V 50-60Hz, D=3/PE~200-210V 50-60Hz, F=2/PE~220-240V 50-60Hz, G=3/N/PE~415V 50-60Hz, H=3/PE~220-230V 50-60Hz, K=3/PE~380-400V 50-60Hz, L=3/PE~415V 50-60Hz, M=3/PE~440V 60Hz, P=1/N/PE~220-230V 50-60Hz, R=2/PE~220-240V 50-60Hz, U=1/N/PE~240V 50-60Hz, V=3/PE~240V 50-60Hz, W=1/N/PE~100-110V 50-60Hz

vsezip.ru

+7(812)987-08-81



05_004_e

vsezip.ru

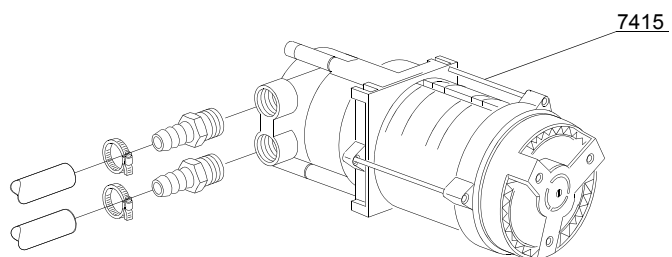
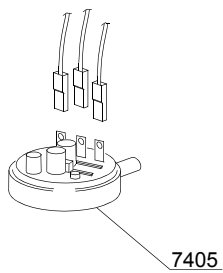
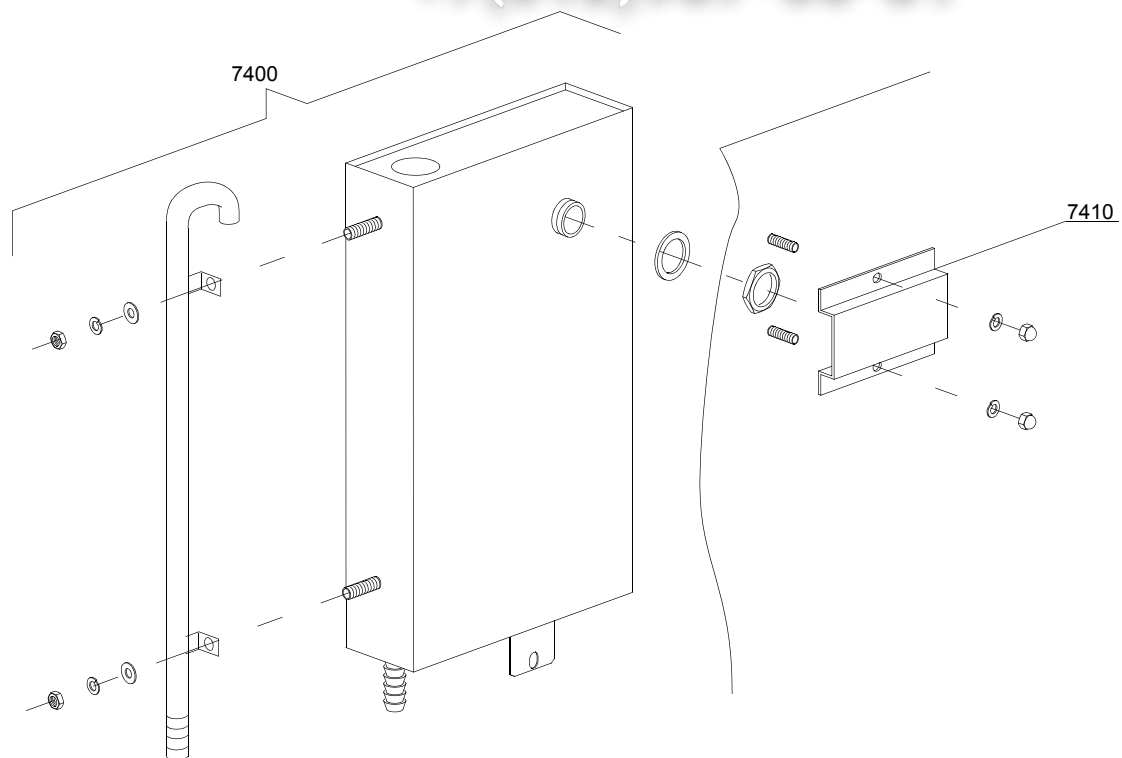
| ID | P-code | SN from | SN to | Mod. | Acces. | Volt | Description |
|------------------------------------|--------|---------|-------|------|--------|------|--|
| Module:Solenoid valve group | | | | | | | |
| 8210 | 15099 | | - | | cr,ws | | Triple solenoid valve |
| 8215 | 15115 | | - | | cr,ws | | Green pression solenoid valve (minimum 2 pieces) |
| 8220 | N.C. | | - | | cr,ws | | Pression reducing valve |

em=ELECTROMECHANICAL SWITCHES, lw=LOWER WASHING, uw=LOWER AND UPPER WASHING

6U=6U

bt=BREAK TANK, bp=BOOSTER PUMP, dvgw=DVGW, cr=COLD RINSE, ws=WATER SOFTNER, dd=DETERGENT DISPENSER, dp=DRAIN PUMP

A=3/N/PE~380-400V 50-60Hz, D=3/PE~200-210V 50-60Hz, F=2/PE~220-240V 50-60Hz, G=3/N/PE~415V 50-60Hz, H=3/PE~220-230V 50-60Hz, K=3/PE~380-400V 50-60Hz, L=3/PE~415V 50-60Hz, M=3/PE~440V 60Hz, P=1/N/PE~220-230V 50-60Hz, R=2/PE~220-240V 50-60Hz, U=1/N/PE~240V 50-60Hz, V=3/PE~240V 50-60Hz, W=1/N/PE~100-110V 50-60Hz



vsezip.ru

| ID | P-code | SN from | SN to | Mod. | Acces. | Volt | Description |
|--------------------------|---------|---------|-------|------|--------|------|-----------------------|
| Module:Break Tank | | | | | | | |
| 7400 | 15735 | | - | | bt | | Break tank assembly |
| 7405 | 10706/A | | - | | bt | | 47-27 pressure switch |
| 7410 | 15738 | | - | | bt | | Overflow cover |
| 7415 | 15100/D | | - | | bt | | Booster pump 220/240V |

em=ELECTROMECHANICAL SWITCHES, lw=LOWER WASHING, uw=LOWER AND UPPER WASHING

6U=6U

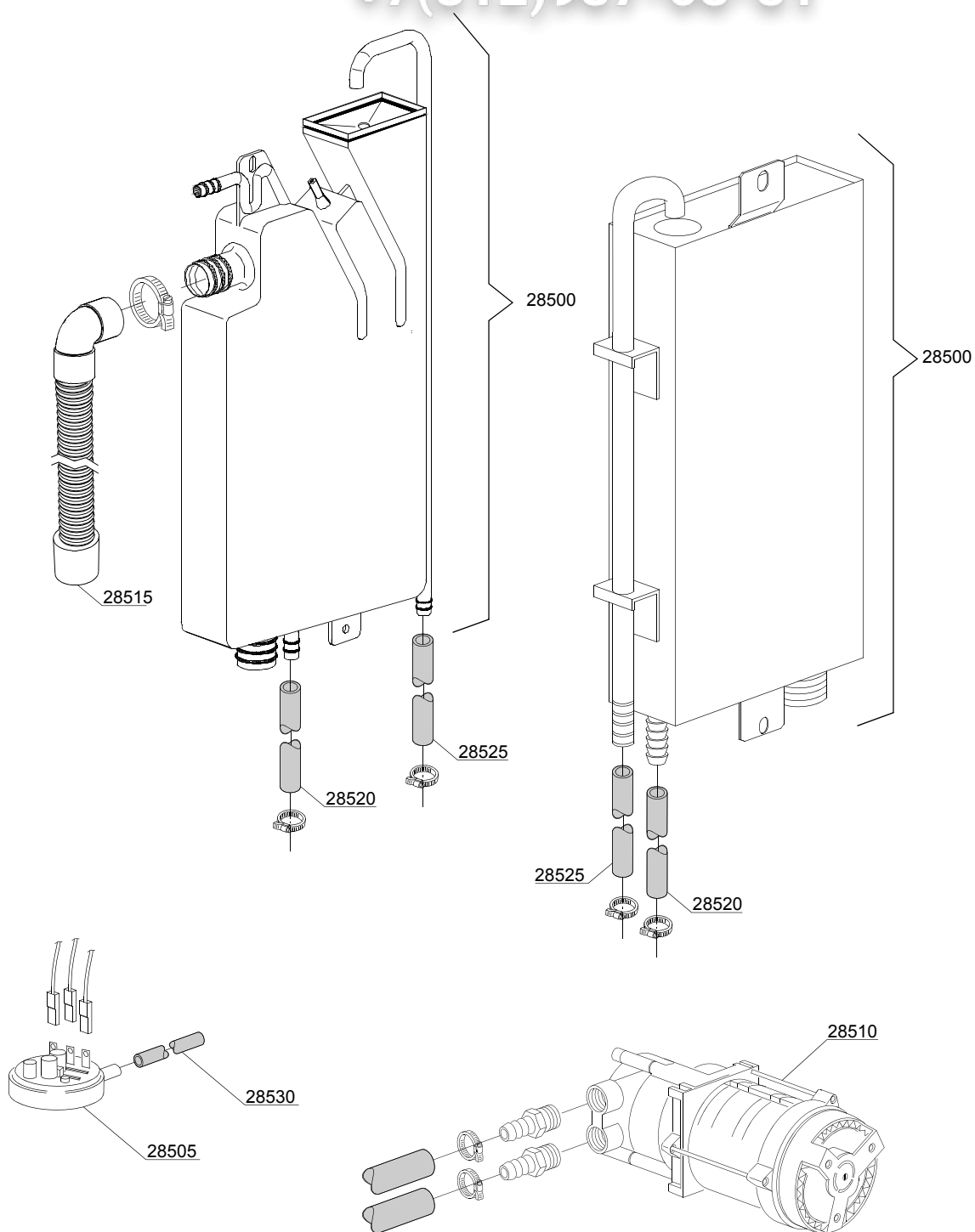
bt=BREAK TANK, bp=BOOSTER PUMP, dvgw=DVGW, cr=COLD RINSE, ws=WATER SOFTNER, dd=DETERGENT DISPENSER, dp=DRAIN PUMP

A=3/N/PE~380-400V 50-60Hz, D=3/PE~200-210V 50-60Hz, F=2/PE~220-240V 50-60Hz, G=3/N/PE~415V 50-60Hz, H=3/PE~220-230V 50-60Hz, K=3/PE~380-400V 50-60Hz, L=3/PE~415V 50-60Hz, M=3/PE~440V 60Hz, P=1/N/PE~220-230V 50-60Hz, R=2/PE~220-240V 50-60Hz, U=1/N/PE~240V 50-60Hz, V=3/PE~240V 50-60Hz, W=1/N/PE~100-110V 50-60Hz

vsezip.ru

+7(812)987-08-81

06_004_e



vsezip.ru

| ID | P-code | SN from | SN to | Mod. | Acces. | Volt | Description |
|--------------------------|---------|---------|-------|------|--------|------|---------------------------------------|
| Module:Break Tank | | | | | | | |
| 28500 | 15735 | | - | | bt | | Break tank assembly |
| 28505 | 10706/A | | - | | bt | | 47-27 pressure switch |
| 28510 | 15100/D | | - | | bt | | Booster pump 220/240V |
| 28515 | 15721 | | - | | bt | | BT long pipe L=1070 |
| 28515 | 15722 | | - | | bt | | BT middle pipe L=920 |
| 28515 | 15723 | | - | | bt | | BT small pipe L=920 |
| 28520 | 2907350 | | - | | bt | | 12x20 EPDM rubber hose |
| 28525 | 2907352 | | - | | bt | | PVC WRAS rubber hose |
| 28530 | 14508 | | - | | bt | | 4,5x9 EPDM rubber hose (minimum 2 mt) |

em=ELECTROMECHANICAL SWITCHES, lw=LOWER WASHING, uw=LOWER AND UPPER WASHING

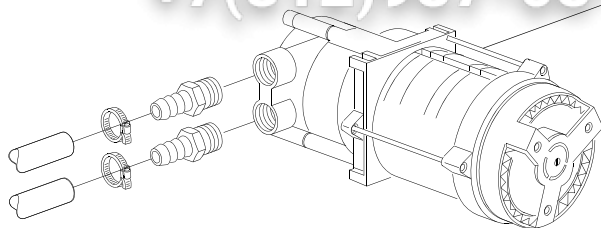
6U=6U

bt=BREAK TANK, bp=BOOSTER PUMP, dvgw=DVGW, cr=COLD RINSE, ws=WATER SOFTNER, dd=DETERGENT DISPENSER, dp=DRAIN PUMP

A=3/N/PE~380-400V 50-60Hz, D=3/PE~200-210V 50-60Hz, F=2/PE~220-240V 50-60Hz, G=3/N/PE~415V 50-60Hz, H=3/PE~220-230V 50-60Hz, K=3/PE~380-400V 50-60Hz, L=3/PE~415V 50-60Hz, M=3/PE~440V 60Hz, P=1/N/PE~220-230V 50-60Hz, R=2/PE~220-240V 50-60Hz, U=1/N/PE~240V 50-60Hz, V=3/PE~240V 50-60Hz, W=1/N/PE~100-110V 50-60Hz

vsezip.ru

+7(812)987-08-81



07_003_e

vsezip.ru

| ID | P-code | SN from | SN to | Mod. | Acces. | Volt | Description |
|-----------------------------|---------|---------|-------|------|--------|------|-----------------------|
| Module: Booster pump | | | | | | | |
| 7500 | 15100/D | | - | em | bp | | Booster pump 220/240V |

em=ELECTROMECHANICAL SWITCHES, lw=LOWER WASHING, uw=LOWER AND UPPER WASHING

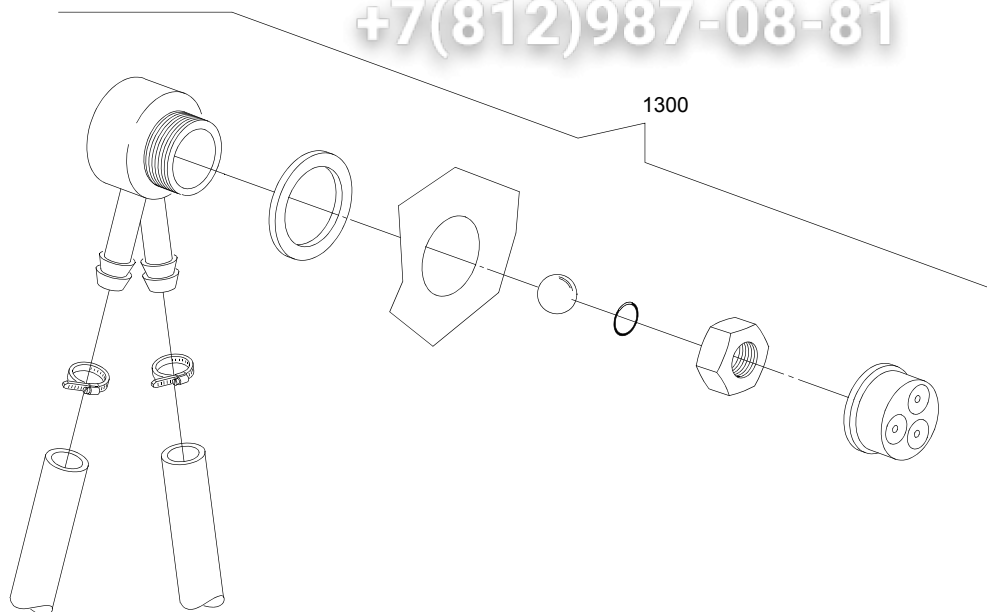
6U=6U

bt=BREAK TANK, bp=BOOSTER PUMP, dvgw=DVGW, cr=COLD RINSE, ws=WATER SOFTNER, dd=DETERGENT DISPENSER, dp=DRAIN PUMP

A=3/N/PE~380-400V 50-60Hz, D=3/PE~200-210V 50-60Hz, F=2/PE~220-240V 50-60Hz, G=3/N/PE~415V 50-60Hz, H=3/PE~220-230V 50-60Hz, K=3/PE~380-400V 50-60Hz, L=3/PE~415V 50-60Hz, M=3/PE~440V 60Hz, P=1/N/PE~220-230V 50-60Hz, R=2/PE~220-240V 50-60Hz, U=1/N/PE~240V 50-60Hz, V=3/PE~240V 50-60Hz, W=1/N/PE~100-110V 50-60Hz

vsezip.ru

+7(812)987-08-81



08_005_e

vsezip.ru

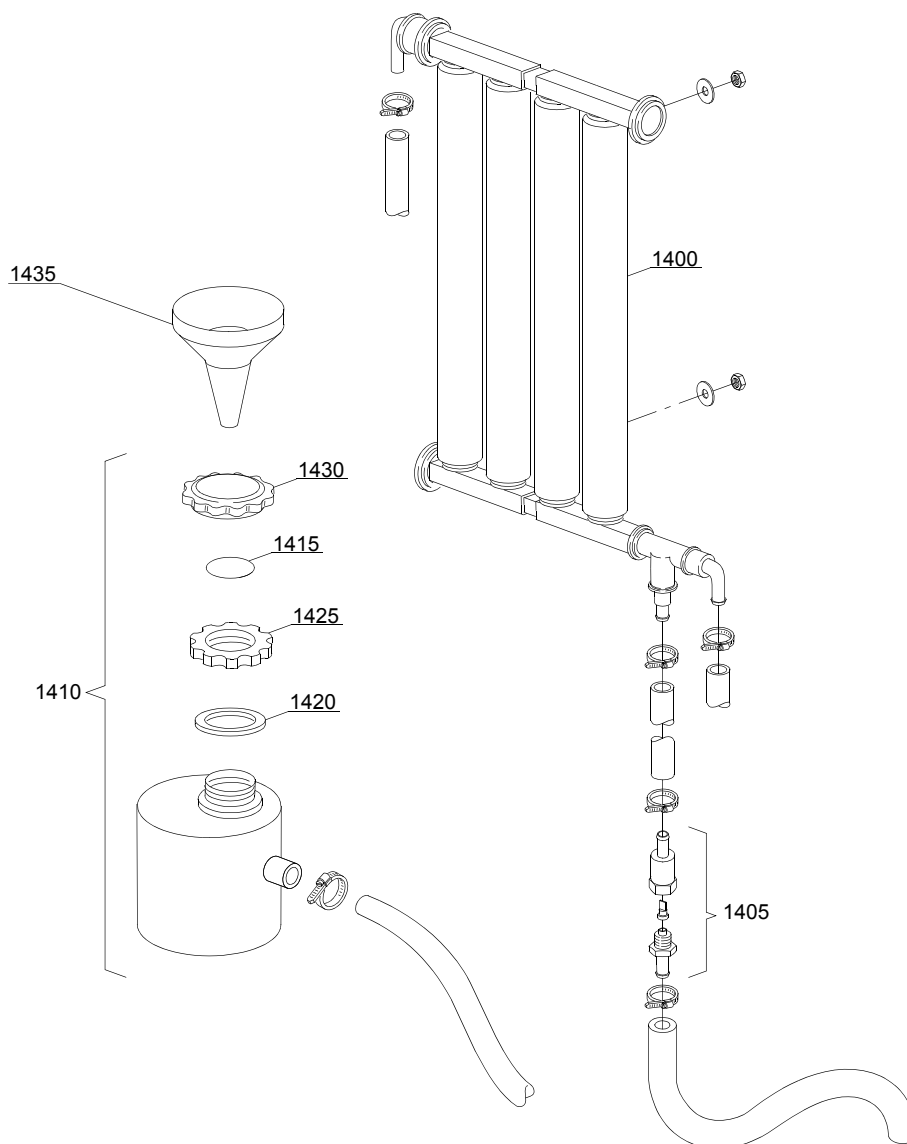
| ID | P-code | SN from | SN to | Mod | Acces. | Volt | Description |
|--------------------|-----------|---------|-------|-----|--------|------|---------------|
| Module:DVGW | | | | | | | |
| 1300 | 999900006 | | - | | dvgw | | DVGW assembly |

em=ELECTROMECHANICAL SWITCHES, lw=LOWER WASHING, uw=LOWER AND UPPER WASHING
6U=6U

bt=BREAK TANK, bp=BOOSTER PUMP, dvgw=DVGW, cr=COLD RINSE, ws=WATER SOFTNER, dd=DETERGENT DISPENSER, dp=DRAIN PUMP

A=3/N/PE~380-400V 50-60Hz, D=3/PE~200-210V 50-60Hz, F=2/PE~220-240V 50-60Hz, G=3/N/PE~415V 50-60Hz, H=3/PE~220-230V 50-60Hz, K=3/PE~380-400V 50-60Hz, L=3/PE~415V 50-60Hz, M=3/PE~440V 60Hz, P=1/N/PE~220-230V 50-60Hz, R=2/PE~220-240V 50-60Hz, U=1/N/PE~240V 50-60Hz, V=3/PE~240V 50-60Hz, W=1/N/PE~100-110V 50-60Hz

09_001_e



vsezip.ru

| ID | P-code | SN from | SN to | Mod. | Acces. | Volt | Description |
|------------------------------------|---------|---------|-------|------|--------|------|--------------------------|
| Module: Water softner group | | | | | | | |
| 1400 | 16066 | | - | | ws | | 4 elements water softner |
| 1405 | 16070 | | - | | ws | | Nonreturn valve |
| 1410 | 16065 | | - | | ws | | Salt container |
| 1415 | 16067/A | | - | | ws | | OR O-ring |
| 1420 | 16067/B | | - | | ws | | O-ring |
| 1425 | 16067/C | | - | | ws | | Ring nut |
| 1430 | 16067/D | | - | | ws | | Plug |
| 1435 | 16082 | | - | | ws | | Funnel |

em=ELECTROMECHANICAL SWITCHES, lw=LOWER WASHING, uw=LOWER AND UPPER WASHING

6U=6U

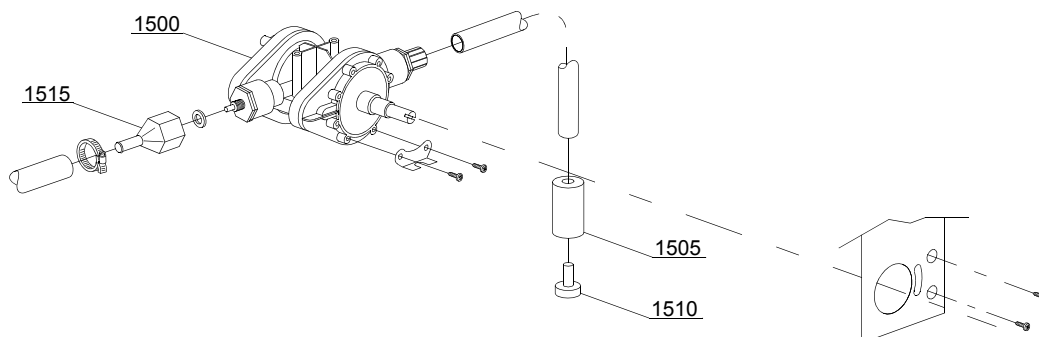
bt=BREAK TANK, bp=BOOSTER PUMP, dvgw=DVGW, cr=COLD RINSE, ws=WATER SOFTNER, dd=DETERGENT DISPENSER, dp=DRAIN PUMP

A=3/N/PE~380-400V 50-60Hz, D=3/PE~200-210V 50-60Hz, F=2/PE~220-240V 50-60Hz, G=3/N/PE~415V 50-60Hz, H=3/PE~220-230V 50-60Hz, K=3/PE~380-400V 50-60Hz, L=3/PE~415V 50-60Hz, M=3/PE~440V 60Hz, P=1/N/PE~220-230V 50-60Hz, R=2/PE~220-240V 50-60Hz, U=1/N/PE~240V 50-60Hz, V=3/PE~240V 50-60Hz, W=1/N/PE~100-110V 50-60Hz

vsezip.ru

+7(812)987-08-81

10_002_e



vsezip.ru

| ID | P-code | SN from | SN to | Mod. | Acces. | Volt | Description |
|--|---------|---------|-------|------|--------|------|---------------------------------|
| Module: Rinse aid dispenser group | | | | | | | |
| 1500 | 10798 | | - | | | | Rinse aid dispenser |
| 1505 | 12525 | | - | | | | Counter-weight |
| 1510 | 15058 | | - | | | | Small filter (minimum 3 pieces) |
| 1515 | 10798/B | | - | | | | Brass pipe fitting |

em=ELECTROMECHANICAL SWITCHES, lw=LOWER WASHING, uw=LOWER AND UPPER WASHING

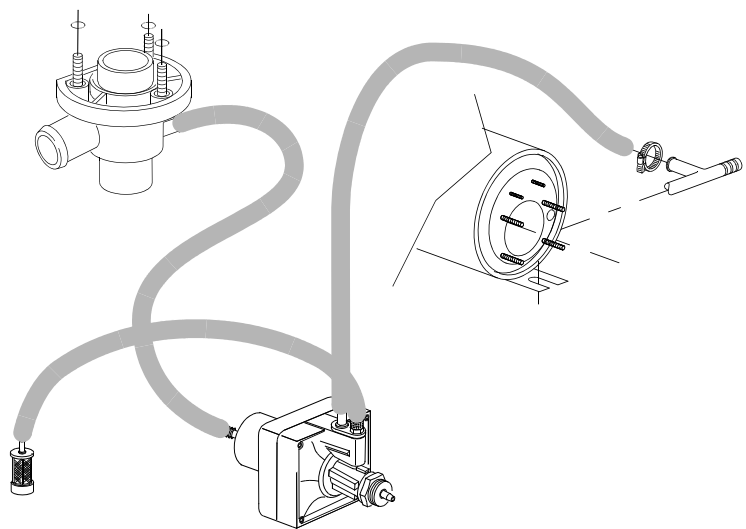
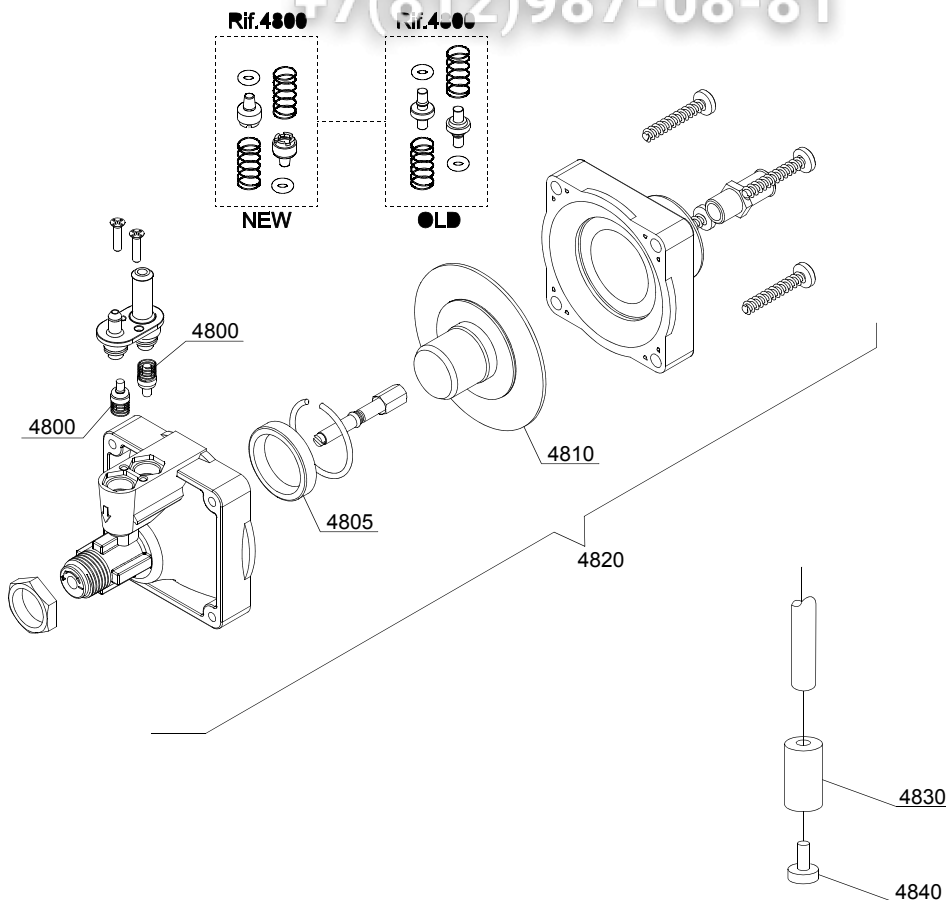
6U=6U

bt=BREAK TANK, bp=BOOSTER PUMP, dvgw=DVGW, cr=COLD RINSE, ws=WATER SOFTNER, dd=DETERGENT DISPENSER, dp=DRAIN PUMP

A=3/N/PE~380-400V 50-60Hz, D=3/PE~200-210V 50-60Hz, F=2/PE~220-240V 50-60Hz, G=3/N/PE~415V 50-60Hz, H=3/PE~220-230V 50-60Hz, K=3/PE~380-400V 50-60Hz, L=3/PE~415V 50-60Hz, M=3/PE~440V 60Hz, P=1/N/PE~220-230V 50-60Hz, R=2/PE~220-240V 50-60Hz, U=1/N/PE~240V 50-60Hz, V=3/PE~240V 50-60Hz, W=1/N/PE~100-110V 50-60Hz

vsezip.ru

+7(812)987-08-81



10_004_e

vsezip.ru

| ID | P-code | SN from | SN to | Mod | Acces. | Volt | Description |
|--|--------|---------|-------|-----|--------|------|---------------------------------|
| Module: Rinse aid dispenser group | | | | | | | |
| 4800 | 10805 | | - | | | | Tecnopro non return valve |
| 4805 | 10806 | | - | | | | Ø22 O-ring |
| 4810 | 10807 | | - | | | | Membrane |
| 4820 | 10799 | | - | | | | Rinse aid dispenser |
| 4830 | 12525 | | - | | | | Counter-weight |
| 4840 | 15058 | | - | | | | Small filter (minimum 3 pieces) |

em=ELECTROMECHANICAL SWITCHES, lw=LOWER WASHING, uw=LOWER AND UPPER WASHING

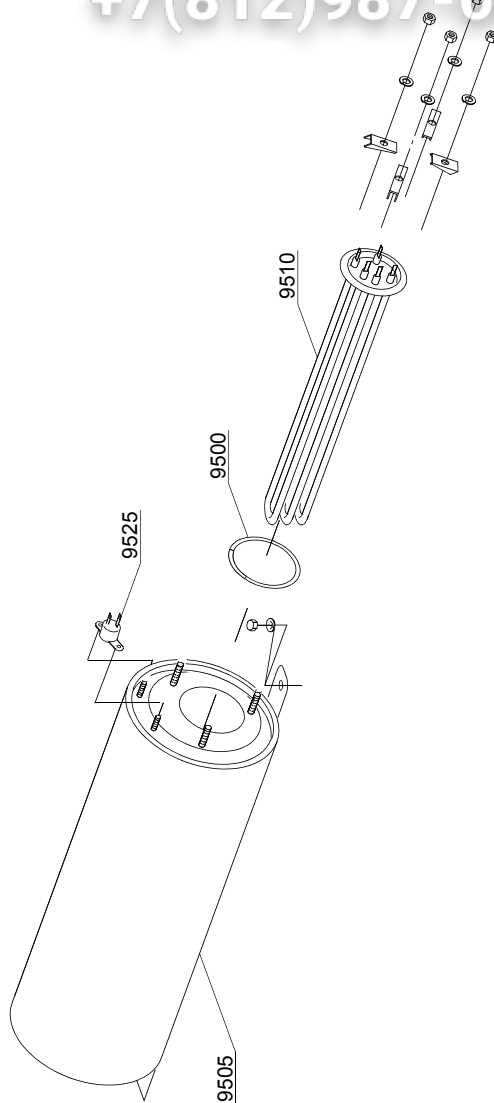
6U=6U

bt=BREAK TANK, bp=BOOSTER PUMP, dvgw=DVGW, cr=COLD RINSE, ws=WATER SOFTNER, dd=DETERGENT DISPENSER, dp=DRAIN PUMP

A=3/N/PE~380-400V 50-60Hz, D=3/PE~200-210V 50-60Hz, F=2/PE~220-240V 50-60Hz, G=3/N/PE~415V 50-60Hz, H=3/PE~220-230V 50-60Hz, K=3/PE~380-400V 50-60Hz, L=3/PE~415V 50-60Hz, M=3/PE~440V 60Hz, P=1/N/PE~220-230V 50-60Hz, R=2/PE~220-240V 50-60Hz, U=1/N/PE~240V 50-60Hz, V=3/PE~240V 50-60Hz, W=1/N/PE~100-110V 50-60Hz

vsezip.ru

+7(812)987-08-81



vsezip.ru

| ID | P-code | SN from | SN to | Mod. | Acces. | Volt | Description |
|----------------------------|---------|---------|-------|------|--------|------|--------------------------------------|
| Module:Boiler group | | | | | | | |
| 9500 | 13005 | | - | | | | OR 151 NBR O-ring (minimum 5 pieces) |
| 9505 | 16904 | | - | | | | Boiler |
| 9510 | 16036/A | | - | | | | 2,18/2,37KW 230/240V heating element |
| 9510 | 16036 | | - | | | | 1,84/2KW 230/240V heating element |
| 9510 | 15046 | | - | | | | 3/3,27KW 230/240V 3 heating element |
| 9525 | 15550 | | - | | | | Safety thermostat |

em=ELECTROMECHANICAL SWITCHES, lw=LOWER WASHING, uw=LOWER AND UPPER WASHING

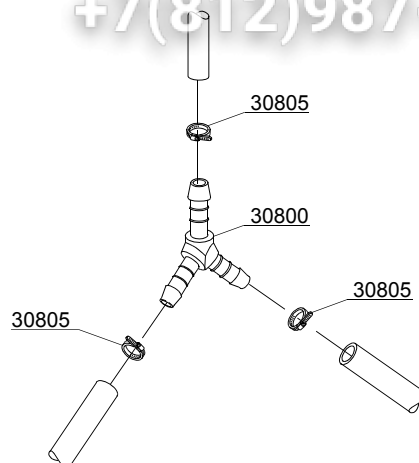
6U=6U

bt=BREAK TANK, bp=BOOSTER PUMP, dvgw=DVGW, cr=COLD RINSE, ws=WATER SOFTNER, dd=DETERGENT DISPENSER, dp=DRAIN PUMP

A=3/N/PE~380-400V 50-60Hz, D=3/PE~200-210V 50-60Hz, F=2/PE~220-240V 50-60Hz, G=3/N/PE~415V 50-60Hz, H=3/PE~220-230V 50-60Hz, K=3/PE~380-400V 50-60Hz, L=3/PE~415V 50-60Hz, M=3/PE~440V 60Hz, P=1/N/PE~220-230V 50-60Hz, R=2/PE~220-240V 50-60Hz, U=1/N/PE~240V 50-60Hz, V=3/PE~240V 50-60Hz, W=1/N/PE~100-110V 50-60Hz

vsezip.ru

+7(812)987-08-81



12_003ae

| ID | P-code | SN from | SN to | Mod. | Acces. | Volt | Description |
|---------------------------------|--------|---------|-------|------|--------|------|----------------------------------|
| Module:3 ways connection | | | | | | | |
| 30800 | 540090 | | - | em | | | Ø10 mm plastic 3 ways connection |
| 30805 | 11807 | | - | em | | | 12/22 clamp (minimum 3 pieces) |

em=ELECTROMECHANICAL SWITCHES, lw=LOWER WASHING, uw=LOWER AND UPPER WASHING

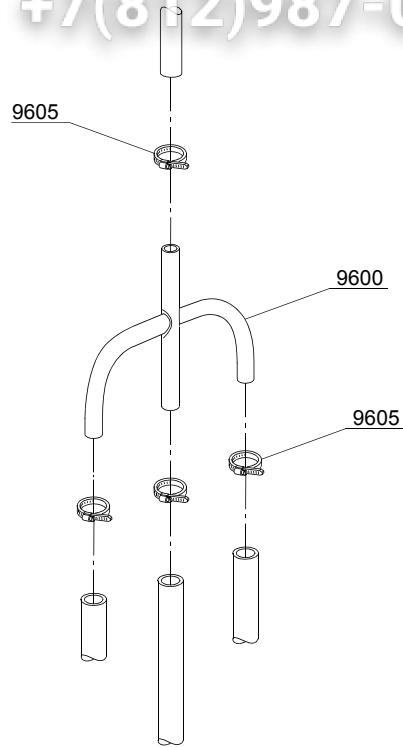
6U=6U

bt=BREAK TANK, bp=BOOSTER PUMP, dvgw=DVGW, cr=COLD RINSE, ws=WATER SOFTNER, dd=DETERGENT DISPENSER, dp=DRAIN PUMP

A=3/N/PE~380-400V 50-60Hz, D=3/PE~200-210V 50-60Hz, F=2/PE~220-240V 50-60Hz, G=3/N/PE~415V 50-60Hz, H=3/PE~220-230V 50-60Hz, K=3/PE~380-400V 50-60Hz, L=3/PE~415V 50-60Hz, M=3/PE~440V 60Hz, P=1/N/PE~220-230V 50-60Hz, R=2/PE~220-240V 50-60Hz, U=1/N/PE~240V 50-60Hz, V=3/PE~240V 50-60Hz, W=1/N/PE~100-110V 50-60Hz

vsezip.ru

+7(812)987-08-81



12_004_e

| ID | P-code | SN from | SN to | Mod | Acces | Volt | Description |
|---------------------------------|--------|---------|-------|-----|-------|------|--------------------------------|
| Module:4 ways connection | | | | | | | |
| 9600 | 15151 | | - | em | cr | | Ø10 mm 4 ways connection |
| 9605 | 11807 | | - | em | cr | | 12/22 clamp (minimum 3 pieces) |

em=ELECTROMECHANICAL SWITCHES, lw=LOWER WASHING, uw=LOWER AND UPPER WASHING

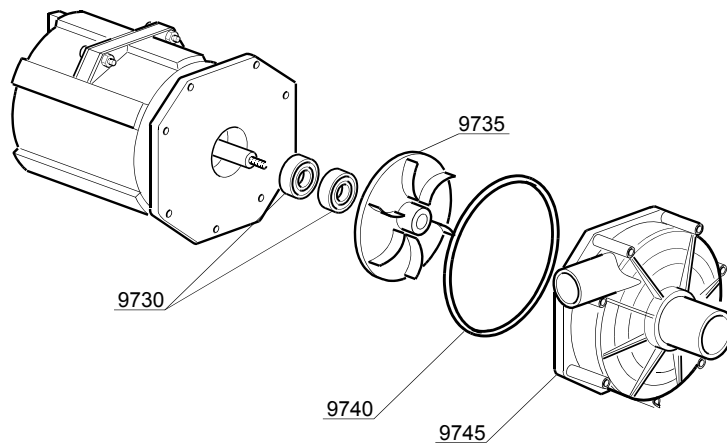
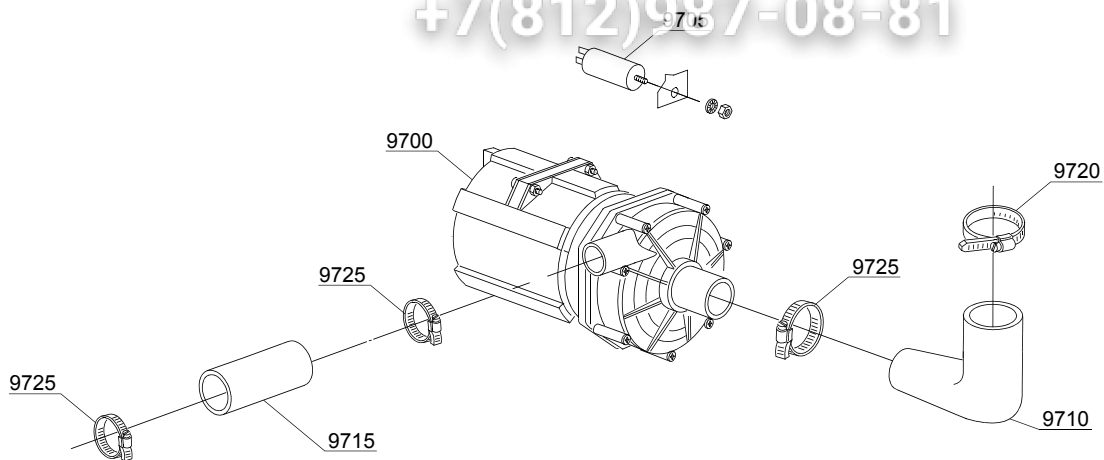
6U=6U

bt=BREAK TANK, bp=BOOSTER PUMP, dvgw=DVGW, cr=COLD RINSE, ws=WATER SOFTNER, dd=DETERGENT DISPENSER, dp=DRAIN PUMP

A=3/N/PE~380-400V 50-60Hz, D=3/PE~200-210V 50-60Hz, F=2/PE~220-240V 50-60Hz, G=3/N/PE~415V 50-60Hz, H=3/PE~220-230V 50-60Hz, K=3/PE~380-400V 50-60Hz, L=3/PE~415V 50-60Hz, M=3/PE~440V 60Hz, P=1/N/PE~220-230V 50-60Hz, R=2/PE~220-240V 50-60Hz, U=1/N/PE~240V 50-60Hz, V=3/PE~240V 50-60Hz, W=1/N/PE~100-110V 50-60Hz

vsezip.ru

+7(812)987-08-81



13_003_e

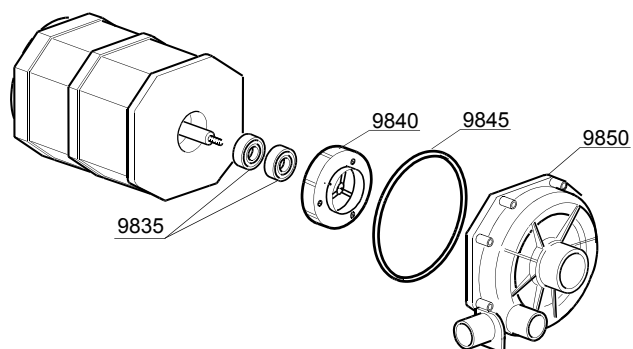
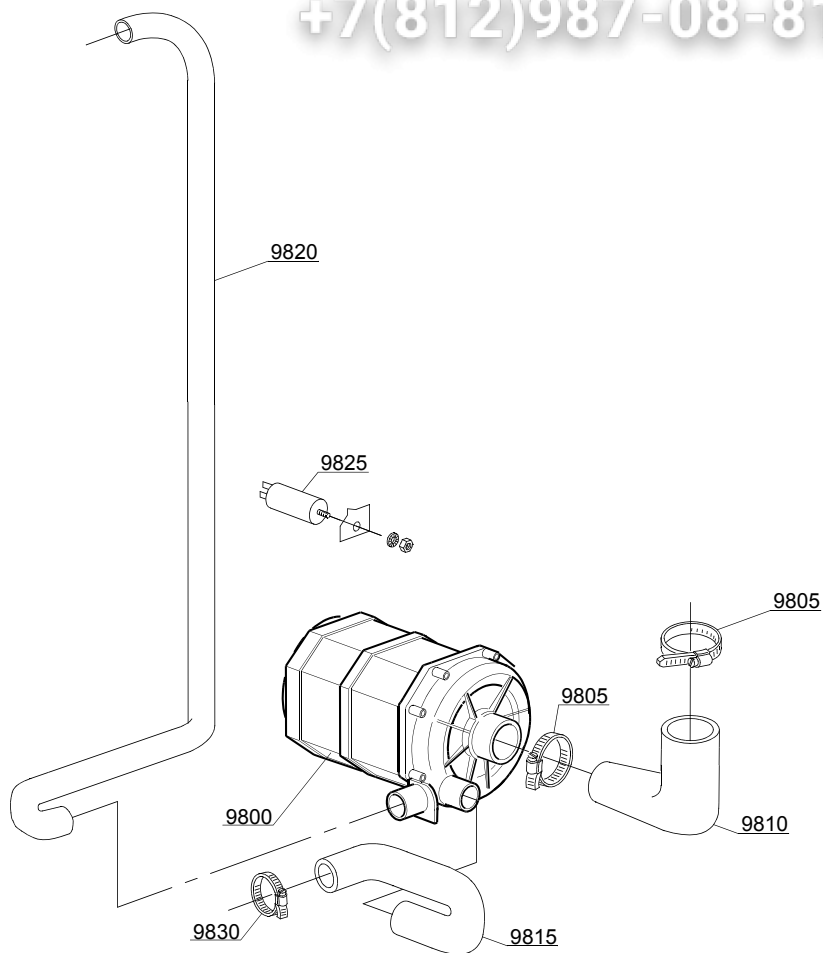
| ID | P-code | SN from | SN to | Mod. | Acces | Volt | Description |
|--------------------------|---------|---------|-------|------|-------|------|--------------------------------|
| Module: Wash pump | | | | | | | |
| 9700 | 16042 | | - | lw | | A | 0,40Hp wash pump - 230V 50Hz |
| 9700 | 16042/C | | - | lw | | | 0,40Hp - 110Vac 60Hz wash pump |
| 9705 | 16043 | | - | lw | | | 8 uF condenser |
| 9710 | 16170 | | - | lw | | | Suction pipe coupling |
| 9715 | 10718 | | - | lw | | | Pump pipe coupling |
| 9720 | 11806 | | - | lw | | | 25/40 clamp (minimum 2 pieces) |
| 9725 | 11810 | | - | lw | | | 40/60 clamp (minimum 2 pieces) |
| 9730 | 15080 | | - | lw | | | Rotating seals |
| 9735 | 7135 | | - | lw | | | O-ring |
| 9740 | 7130 | | - | lw | | | Pump rotor (minimum 2 pieces) |
| 9745 | 7133 | | - | lw | | | Scroll |

em=ELECTROMECHANICAL SWITCHES, lw=LOWER WASHING, uw=LOWER AND UPPER WASHING

6U=6U

bt=BREAK TANK, bp=BOOSTER PUMP, dvgw=DVGW, cr=COLD RINSE, ws=WATER SOFTNER, dd=DETERGENT DISPENSER, dp=DRAIN PUMP

A=3/N/PE~380-400V 50-60Hz, D=3/PE~200-210V 50-60Hz, F=2/PE~220-240V 50-60Hz, G=3/N/PE~415V 50-60Hz, H=3/PE~220-230V 50-60Hz, K=3/PE~380-400V 50-60Hz, L=3/PE~415V 50-60Hz, M=3/PE~440V 60Hz, P=1/N/PE~220-230V 50-60Hz, R=2/PE~220-240V 50-60Hz, U=1/N/PE~240V 50-60Hz, V=3/PE~240V 50-60Hz, W=1/N/PE~100-110V 50-60Hz



vsezip.ru

| ID | P-code | SN from | SN to | Mod. | Acces. | Volt | Description |
|--------------------------|---------|---------|-------|------|--------|------|--------------------------------|
| Module: Wash pump | | | | | | | |
| 9800 | 16176 | | - | uw | | A | 0,6Hp wash pump - 230V 50Hz |
| 9800 | 16176/A | | - | uw | | A | 0,6Hp wash pump - 240V 50Hz |
| 9805 | 11810 | | - | uw | | | 40/60 clamp (minimum 2 pieces) |
| 9810 | 16169 | | - | uw | | | Suction pipe coupling |
| 9815 | 16168 | | - | uw | | | Lower wash delivery pipe |
| 9820 | 16167 | | - | uw | | | Top delivery pipe |
| 9825 | 18043 | | - | uw | | | 10 uF condenser |
| 9830 | 11806 | | - | uw | | | 25/40 clamp (minimum 2 pieces) |
| 9835 | 15080 | | - | uw | | | Rotating seals |
| 9840 | 15079 | | - | uw | | | Pump rotor |
| 9845 | 7130 | | - | uw | | | O-ring (minimum 2 pieces) |
| 9850 | 16182 | | - | uw | | | Scroll |

em=ELECTROMECHANICAL SWITCHES, lw=LOWER WASHING, uw=LOWER AND UPPER WASHING

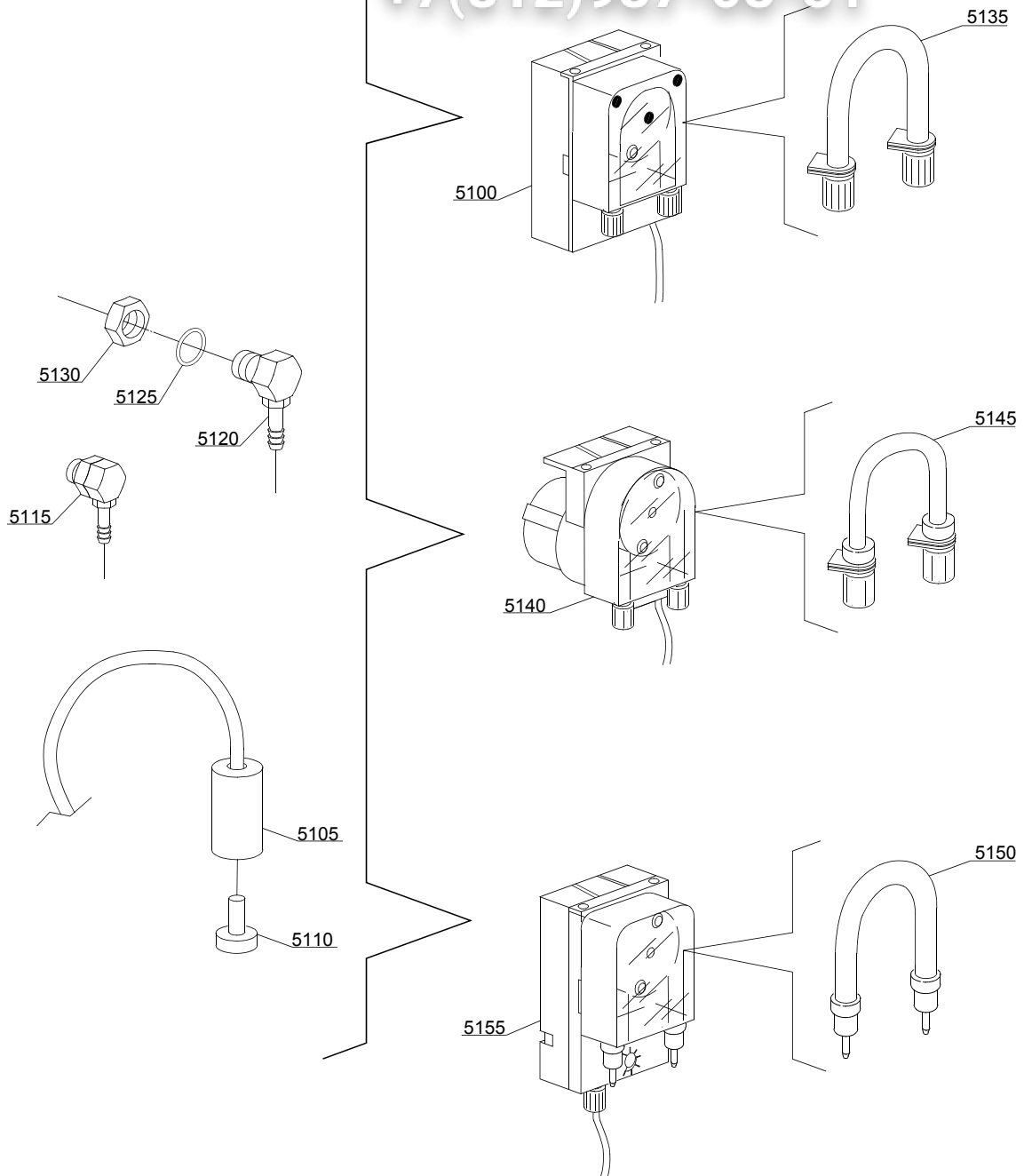
6U=6U

bt=BREAK TANK, bp=BOOSTER PUMP, dvgw=DVGW, cr=COLD RINSE, ws=WATER SOFTNER, dd=DETERGENT DISPENSER, dp=DRAIN PUMP

A=3/N/PE~380-400V 50-60Hz, D=3/PE~200-210V 50-60Hz, F=2/PE~220-240V 50-60Hz, G=3/N/PE~415V 50-60Hz, H=3/PE~220-230V 50-60Hz, K=3/PE~380-400V 50-60Hz, L=3/PE~415V 50-60Hz, M=3/PE~440V 60Hz, P=1/N/PE~220-230V 50-60Hz, R=2/PE~220-240V 50-60Hz, U=1/N/PE~240V 50-60Hz, V=3/PE~240V 50-60Hz, W=1/N/PE~100-110V 50-60Hz

vsezip.ru

+7(812)987-08-81



14_004_e

| ID | P-code | SN from | SN to | Mod. | Acces. | Volt | Description |
|--------------------------------------|----------|---------|-------|------|--------|------|--|
| Module:Dosing detergent group | | | | | | | |
| 5100 | 15985 | | - | em | dd | | Seko detergent pump |
| 5105 | 12525 | | - | em | dd | | Counter-weight |
| 5110 | 15058 | | - | em | dd | | Small filter (minimum 3 pieces) |
| 5115 | 15123 | | - | em | dd | | Complect plastic injector |
| 5120 | 15148 | | - | em | dd | | Steel injector |
| 5125 | 15159 | | - | em | dd | | OR O-ring (minimum 2 pieces) |
| 5130 | 10200205 | | - | em | dd | | M12x1 stainless steel nut (minimum 2 pieces) |
| 5135 | 15185 | | - | em | dd | | Seko thermoplastic pipe |
| 5140 | 15985 | | - | em | dd | | Germac detergent pump |
| 5145 | 15108/E | | - | em | dd | | Germac thermoplastic pipe |
| 5150 | 15985/A | | - | em | dd | | Plas Cont thermoplastic pipe |
| 5155 | 15985 | | - | em | dd | | Plas Cont detergent pump |

em=ELECTROMECHANICAL SWITCHES, lw=LOWER WASHING, uw=LOWER AND UPPER WASHING

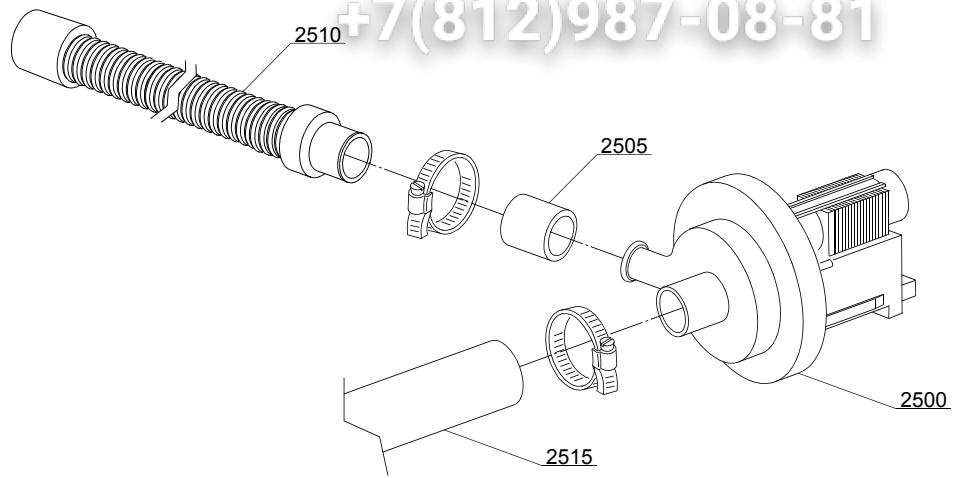
6U=6U

bt=BREAK TANK, bp=BOOSTER PUMP, dvgw=DVGW, cr=COLD RINSE, ws=WATER SOFTNER, dd=DETERGENT DISPENSER, dp=DRAIN PUMP

A=3/N/PE~380-400V 50-60Hz, D=3/PE~200-210V 50-60Hz, F=2/PE~220-240V 50-60Hz, G=3/N/PE~415V 50-60Hz, H=3/PE~220-230V 50-60Hz, K=3/PE~380-400V 50-60Hz, L=3/PE~415V 50-60Hz, M=3/PE~440V 60Hz, P=1/N/PE~220-230V 50-60Hz, R=2/PE~220-240V 50-60Hz, U=1/N/PE~240V 50-60Hz, V=3/PE~240V 50-60Hz, W=1/N/PE~100-110V 50-60Hz

vsezip.ru

+7(812)987-08-81



15_004_e

vsezip.ru

| ID | P-code | SN from | SN to | Mod | Acces. | Volt | Description |
|---------------------------------|---------|---------|-------|-----|--------|------|----------------------------------|
| Module: Drain pump group | | | | | | | |
| 2500 | 15101 | | - | | dp | | Drain pump 220/240V 50Hz |
| 2505 | 15101/D | | - | | dp | | Pipe fitting (minimum 3 pieces) |
| 2510 | 10727 | | - | | dp | | Drain pipe |
| 2515 | 10718 | | - | | dp | | Drain coude/pump connection pipe |

em=ELECTROMECHANICAL SWITCHES, lw=LOWER WASHING, uw=LOWER AND UPPER WASHING

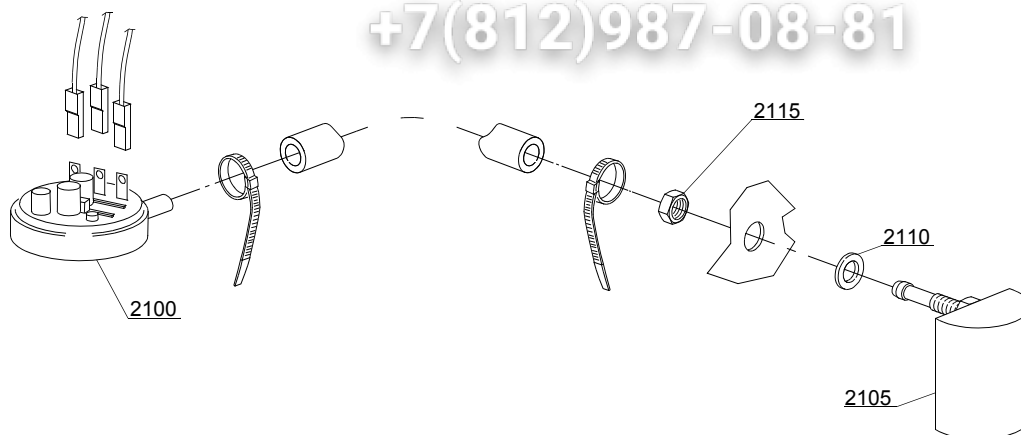
6U=6U

bt=BREAK TANK, bp=BOOSTER PUMP, dvgw=DVGW, cr=COLD RINSE, ws=WATER SOFTNER, dd=DETERGENT DISPENSER, dp=DRAIN PUMP

A=3/N/PE~380-400V 50-60Hz, D=3/PE~200-210V 50-60Hz, F=2/PE~220-240V 50-60Hz, G=3/N/PE~415V 50-60Hz, H=3/PE~220-230V 50-60Hz, K=3/PE~380-400V 50-60Hz, L=3/PE~415V 50-60Hz, M=3/PE~440V 60Hz, P=1/N/PE~220-230V 50-60Hz, R=2/PE~220-240V 50-60Hz, U=1/N/PE~240V 50-60Hz, V=3/PE~240V 50-60Hz, W=1/N/PE~100-110V 50-60Hz

vsezip.ru

+7(812)987-08-81



16_001_e

vsezip.ru

| ID | P-code | SN from | SN to | Mod. | Acces. | Volt | Description |
|--|----------|---------|-------|------|--------|------|--|
| Module: Pressure switch group with air trap | | | | | | | |
| 2100 | 10706/A | | - | em | | | 47-27 pressure switch |
| 2105 | 135911/B | | - | em | | | Air-trap assembly |
| 2110 | 13301 | | - | em | | | O-ring (minimum 10 pieces) |
| 2115 | 11702 | | - | em | | | M8 stainless steel nut (minimum 10 pieces) |

em=ELECTROMECHANICAL SWITCHES, lw=LOWER WASHING, uw=LOWER AND UPPER WASHING

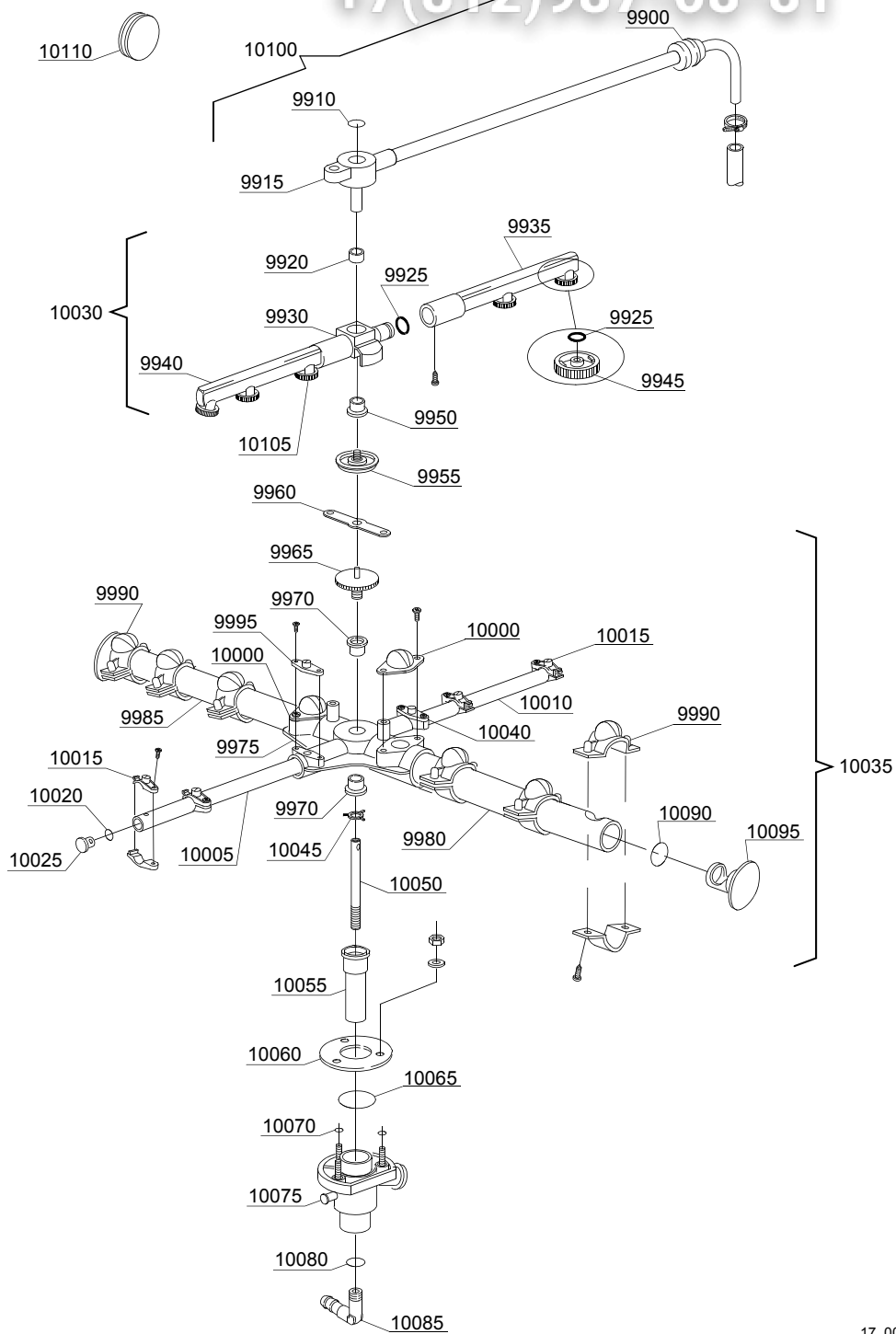
6U=6U

bt=BREAK TANK, bp=BOOSTER PUMP, dvgw=DVGW, cr=COLD RINSE, ws=WATER SOFTNER, dd=DETERGENT DISPENSER, dp=DRAIN PUMP

A=3/N/PE~380-400V 50-60Hz, D=3/PE~200-210V 50-60Hz, F=2/PE~220-240V 50-60Hz, G=3/N/PE~415V 50-60Hz, H=3/PE~220-230V 50-60Hz, K=3/PE~380-400V 50-60Hz, L=3/PE~415V 50-60Hz, M=3/PE~440V 60Hz, P=1/N/PE~220-230V 50-60Hz, R=2/PE~220-240V 50-60Hz, U=1/N/PE~240V 50-60Hz, V=3/PE~240V 50-60Hz, W=1/N/PE~100-110V 50-60Hz

vsezip.ru

+7(812)987-08-81



17_002_e

| ID | P-code | SN from | SN to | Mod | Acces. | Volt | Description |
|---|---------|---------|---------|-----|--------|------|---|
| Module:Turret group with rotating arms | | | | | | | |
| 9900 | 13304 | | - | lw | | | Pipe-pass O-ring |
| 9910 | 13303 | | - | lw | | | 10x5x1 plane O-ring (minimum 10 pieces) |
| 9920 | 13320 | | - | lw | | | Sliding washer (minimum 3 pieces) |
| 9925 | 13002 | | - | lw | | | OR R6 NBR O-ring (minimum 10 pieces) |
| 9930 | 10359 | | - | lw | | | Rinse rotor |
| 9935 | 10360 | | - | lw | | | Right rinse pipe |
| 9940 | 10361 | | - | lw | | | Left rinse pipe |
| 9945 | 12537 | | - | lw | | | Opened head rinse nozzle (minimum 5 pieces) |
| 9950 | 13319 | | - | lw | | | Sliding washer (minimum 2 pieces) |
| 9955 | 10365 | | - | lw | | | Handle with insert |
| 9960 | 10210 | | - | lw | | | Blocking ring nut rotor plaque |
| 9965 | 11101/A | | - | lw | | | Stainless steel group fixing screw |
| 9970 | 13319 | | - | lw | | | Sliding washer (minimum 2 pieces) |
| 9975 | 10208 | | - | lw | | | 4 ways small rotor |
| 9980 | 16501 | | - | lw | | | Right wash pipe |
| 9985 | 16502 | | - | lw | | | Left wash pipe |
| 9990 | 10746 | | - | lw | | | Nozzle with horizontal fissure (minimum 3 pieces) |
| 9995 | 10213 | | - | lw | | | Ø10 opened plane nozzle (minimum 2 pieces) |
| 10000 | 10212 | | - | lw | | | Ø18 opened plane nozzle (minimum 2 pieces) |
| 10005 | 16503 | | - | lw | | | Right rinse pipe |
| 10010 | 16504 | | - | lw | | | Left rinse pipe |
| 10015 | 12528 | | - | lw | | | Ø10 complet rinse nozzle (minimum 2 pieces) |
| 10020 | 13016 | | - | lw | | | 2018 OR 103 NBR O-ring (minimum 10 pieces) |
| 10025 | 12532 | | - | lw | | | Ø10 plastic plug (minimum 3 pieces) |
| 10035 | 16951 | 4022263 | - | lw | | | Lower wash/rinse group |
| 10035 | 16950 | | 4022262 | lw | | | Lower wash/rinse group |
| 10040 | 10217 | | - | lw | | | Ø10 closed plane nozzle (minimum 2 pieces) |
| 10045 | 10203 | | - | lw | | | Guide pipe |

em=ELECTROMECHANICAL SWITCHES, lw=LOWER WASHING, uw=LOWER AND UPPER WASHING

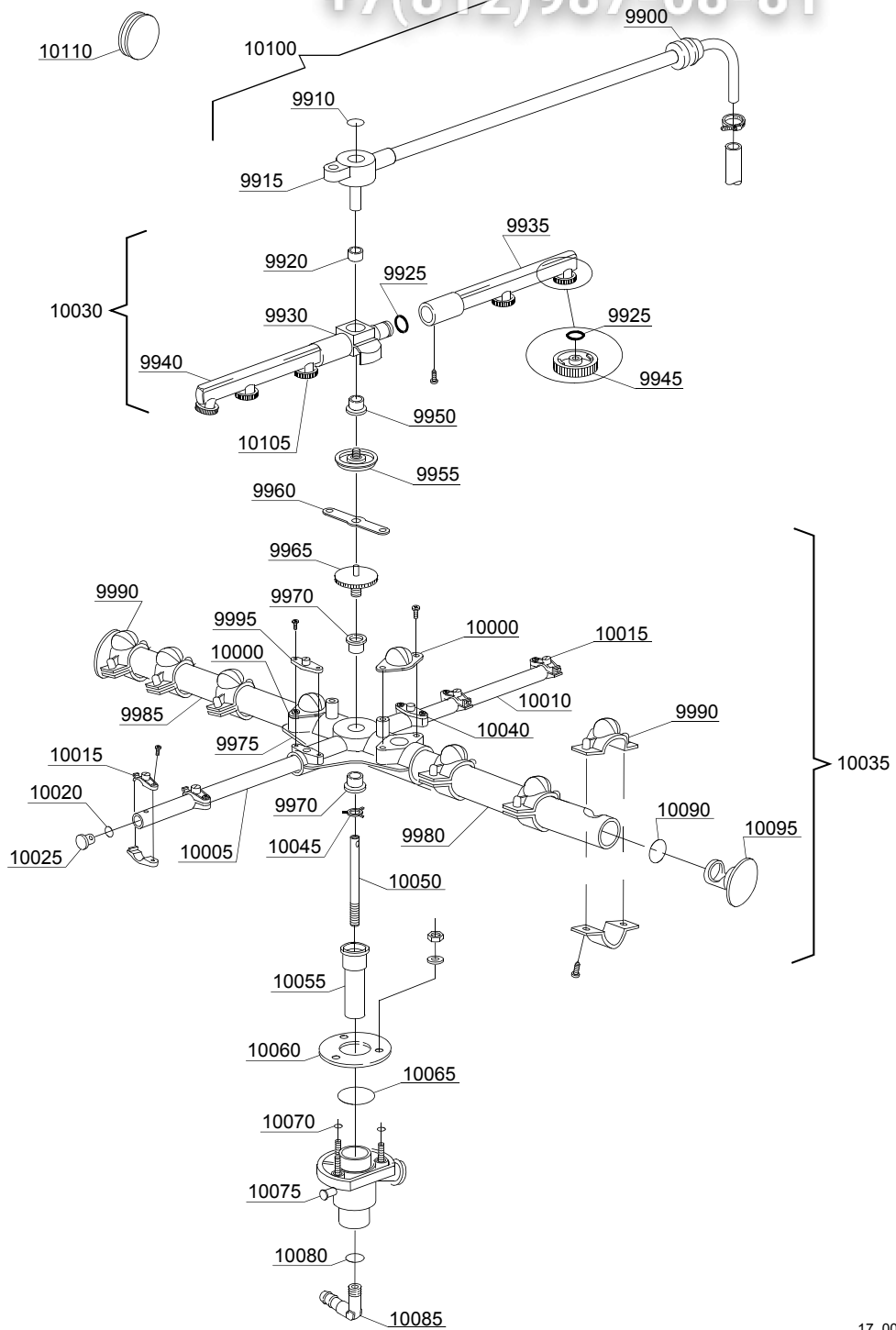
6U=6U

bt=BREAK TANK, bp=BOOSTER PUMP, dvgw=DVGW, cr=COLD RINSE, ws=WATER SOFTNER, dd=DETERGENT DISPENSER, dp=DRAIN PUMP

A=3/N/PE~380-400V 50-60Hz, D=3/PE~200-210V 50-60Hz, F=2/PE~220-240V 50-60Hz, G=3/N/PE~415V 50-60Hz, H=3/PE~220-230V 50-60Hz, K=3/PE~380-400V 50-60Hz, L=3/PE~415V 50-60Hz, M=3/PE~440V 60Hz, P=1/N/PE~220-230V 50-60Hz, R=2/PE~220-240V 50-60Hz, U=1/N/PE~240V 50-60Hz, V=3/PE~240V 50-60Hz, W=1/N/PE~100-110V 50-60Hz

vsezip.ru

+7(812)987-08-81



17_002_e

vsezip.ru

| ID | P-code | SN from | SN to | Mod. | Acces. | Volt | Description |
|---|---------|---------|-------|------|--------|------|---|
| Module:Turret group with rotating arms | | | | | | | |
| 10050 | 16039 | | - | lw | | | Ø10x1,5x185 steel ground shaft |
| 10055 | 16250 | | - | lw | | | Bell-shape assembly with pipe coupling |
| 10060 | 16038 | | - | lw | | | Ø60 stainless steel disk |
| 10065 | 13000 | | - | lw | | | OR 3125 NBR O-ring (minimum 5 pieces) |
| 10070 | 13001 | | - | lw | | | OR 104 NBR O-ring (minimum 10 pieces) |
| 10075 | 10205/A | | - | lw | | | Lower wash turret with hole |
| 10080 | 13003 | | - | lw | | | OR 112 NBR O-ring (minimum 10 pieces) |
| 10085 | 12030 | | - | lw | | | 3/8M Ø12 elbow pipe fitting |
| 10090 | 13009 | | - | lw | | | OR 2050 NBR O-ring (minimum 40 pieces) |
| 10095 | 10256 | | - | lw | | | Ø18 plastic plug (minimum 2 pieces) |
| 10100 | 16993 | | - | lw | | | Top rinse turret group |
| 10105 | 12538 | | - | lw | | | Closed head rinse nozzle (minimum 3 pieces) |
| 10110 | 13316/A | | - | lw | | | DVGW hole O-ring |

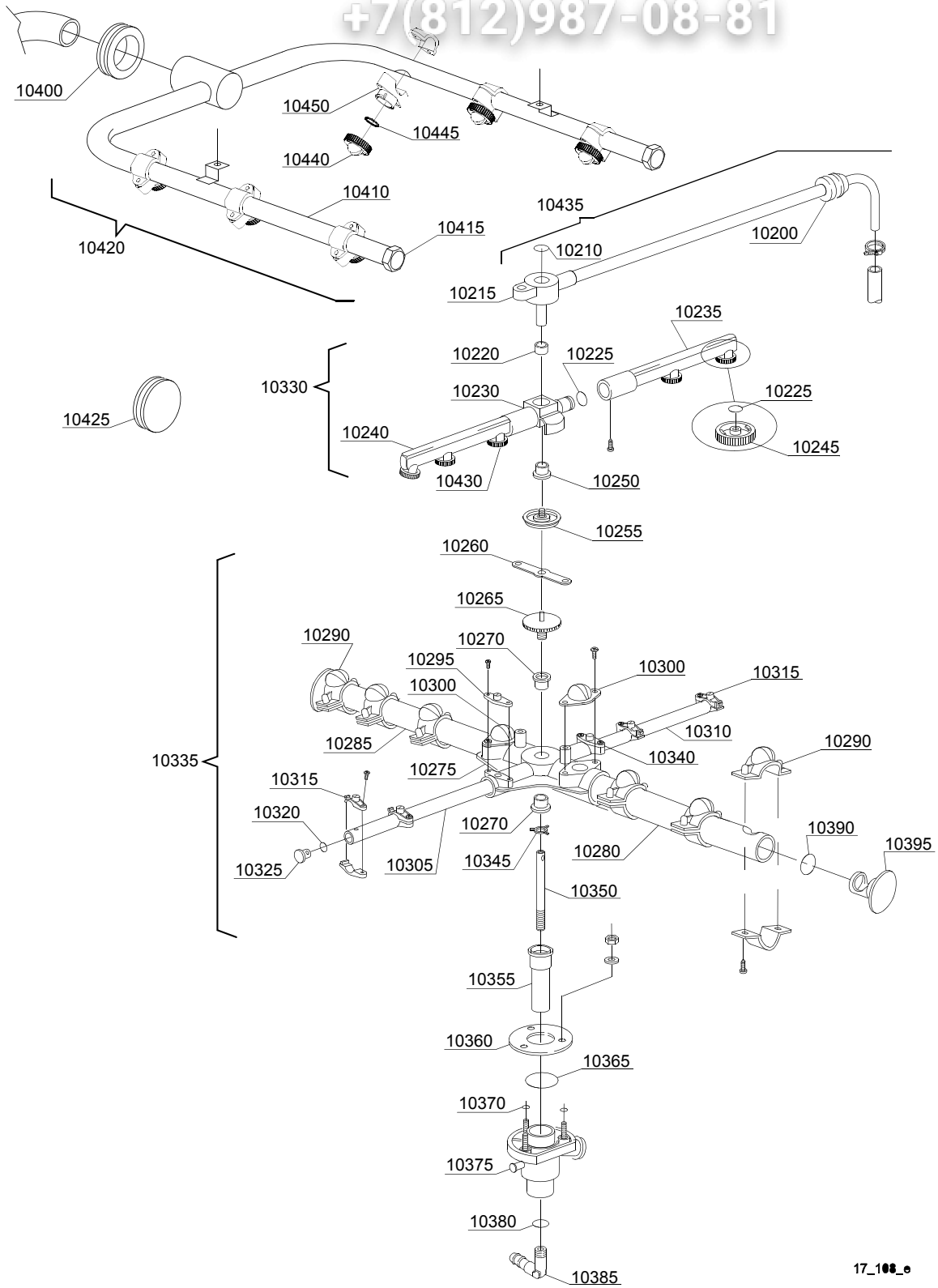
em=ELECTROMECHANICAL SWITCHES, lw=LOWER WASHING, uw=LOWER AND UPPER WASHING
6U=6U

bt=BREAK TANK, bp=BOOSTER PUMP, dvgw=DVGW, cr=COLD RINSE, ws=WATER SOFTNER, dd=DETERGENT DISPENSER, dp=DRAIN PUMP

A=3/N/PE~380-400V 50-60Hz, D=3/PE~200-210V 50-60Hz, F=2/PE~220-240V 50-60Hz, G=3/N/PE~415V 50-60Hz, H=3/PE~220-230V 50-60Hz, K=3/PE~380-400V 50-60Hz, L=3/PE~415V 50-60Hz, M=3/PE~440V 60Hz, P=1/N/PE~220-230V 50-60Hz, R=2/PE~220-240V 50-60Hz, U=1/N/PE~240V 50-60Hz, V=3/PE~240V 50-60Hz, W=1/N/PE~100-110V 50-60Hz

vsezip.ru

+7(812)987-08-81



17_100_e

| ID | P-code | SN from | SN to | Mod | Acces | Volt | Description |
|---|---------|---------|---------|-----|-------|------|---|
| Module:Turret group with rotating arms | | | | | | | |
| 10200 | 13304 | | - | uw | | | Pipe-pass O-ring |
| 10210 | 13303 | | - | uw | | | 10x5x1 plane O-ring (minimum 10 pieces) |
| 10220 | 13320 | | - | uw | | | Sliding washer (minimum 3 pieces) |
| 10225 | 13002 | | - | uw | | | OR R6 NBR O-ring (minimum 10 pieces) |
| 10230 | 10359 | | - | uw | | | Rinse rotor |
| 10235 | 10360 | | - | uw | | | Right rinse pipe |
| 10240 | 10361 | | - | uw | | | Left rinse pipe |
| 10245 | 12537 | | - | uw | | | Opened head rinse nozzle (minimum 5 pieces) |
| 10250 | 13319 | | - | uw | | | Sliding washer (minimum 2 pieces) |
| 10255 | 10365 | | - | uw | | | Handle with insert |
| 10260 | 10210 | | - | uw | | | Blocking ring nut rotor plaque |
| 10265 | 11101/A | | - | uw | | | Stainless steel group fixing screw |
| 10270 | 13319 | | - | uw | | | Sliding washer |
| 10275 | 10208 | | - | uw | | | 4 ways small rotor |
| 10280 | 16501 | | - | uw | | | Right wash pipe |
| 10285 | 16502 | | - | uw | | | Left wash pipe |
| 10290 | 10746 | | - | uw | | | Nozzle with horizontal fissure (minimum 3 pieces) |
| 10295 | 10213 | | - | uw | | | Ø10 opened plane nozzle (minimum 2 pieces) |
| 10300 | 10212 | | - | uw | | | Ø18 opened plane nozzle (minimum 2 pieces) |
| 10305 | 16503 | | - | uw | | | Right rinse pipe |
| 10310 | 16504 | | - | uw | | | Left rinse pipe |
| 10315 | 12528 | | - | uw | | | Ø10 complet rinse nozzle (minimum 2 pieces) |
| 10320 | 13016 | | - | uw | | | 2018 OR 103 NBR O-ring (minimum 10 pieces) |
| 10325 | 12532 | | - | uw | | | Ø10 plastic plug (minimum 3 pieces) |
| 10330 | 10996 | | - | uw | | | Top rinse group |
| 10335 | 16951 | 4022263 | - | uw | | | Lower wash/rinse group |
| 10335 | 16950 | | 4022262 | uw | | | Lower wash/rinse group |
| 10340 | 10217 | | - | uw | | | Ø10 closed plane nozzle (minimum 2 pieces) |

em=ELECTROMECHANICAL SWITCHES, lw=LOWER WASHING, uw=LOWER AND UPPER WASHING

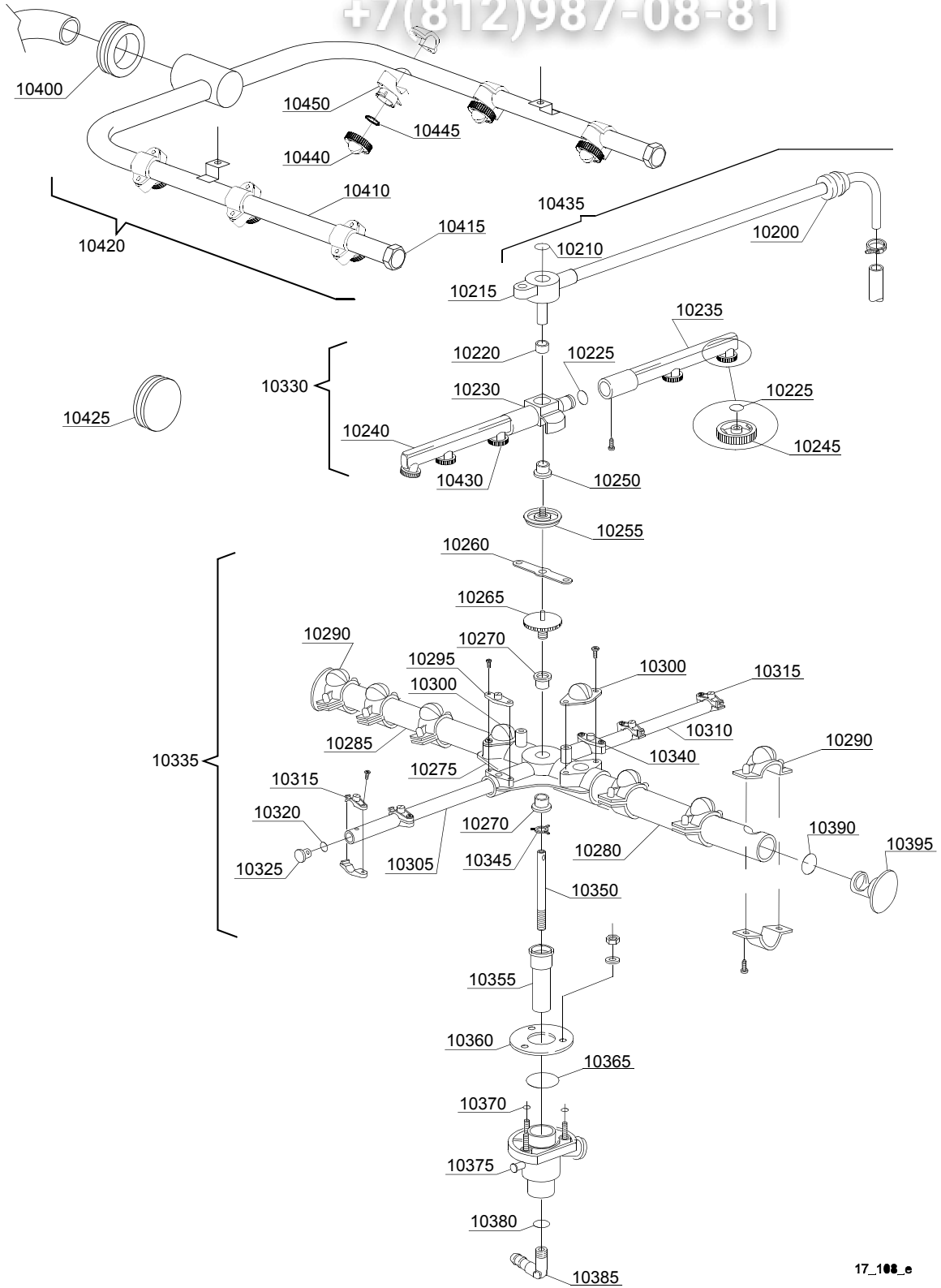
6U=6U

bt=BREAK TANK, bp=BOOSTER PUMP, dvgw=DVGW, cr=COLD RINSE, ws=WATER SOFTNER, dd=DETERGENT DISPENSER, dp=DRAIN PUMP

A=3/N/PE~380-400V 50-60Hz, D=3/PE~200-210V 50-60Hz, F=2/PE~220-240V 50-60Hz, G=3/N/PE~415V 50-60Hz, H=3/PE~220-230V 50-60Hz, K=3/PE~380-400V 50-60Hz, L=3/PE~415V 50-60Hz, M=3/PE~440V 60Hz, P=1/N/PE~220-230V 50-60Hz, R=2/PE~220-240V 50-60Hz, U=1/N/PE~240V 50-60Hz, V=3/PE~240V 50-60Hz, W=1/N/PE~100-110V 50-60Hz

vsezip.ru

+7(812)987-08-81



17_108_e

vsezip.ru

| ID | P-code | SN from | SN to | Mod | Acces. | Volt | Description |
|--|---------|---------|-------|-----|--------|------|---|
| Module: Turret group with rotating arms | | | | | | | |
| 10345 | 10203 | | - | uw | | | Guide pipe |
| 10350 | 16039 | | - | uw | | | Ø10x1,5x185 steel ground shaft |
| 10355 | 16250 | | - | uw | | | Bell-shape assembly with pipe coupling |
| 10360 | 16038 | | - | uw | | | Ø60 stainless steel disk |
| 10365 | 13000 | | - | uw | | | OR 3125 NBR O-ring (minimum 5 pieces) |
| 10370 | 13001 | | - | uw | | | OR 104 NBR O-ring (minimum 10 pieces) |
| 10375 | 10205/A | | - | uw | | | Lower wash turret with hole |
| 10380 | 13003 | | - | uw | | | OR 112 NBR O-ring (minimum 10 pieces) |
| 10385 | 12030 | | - | uw | | | 3/8M Ø12 elbow pipe fitting |
| 10390 | 13009 | | - | uw | | | OR 2050 NBR O-ring (minimum 40 pieces) |
| 10395 | 10256 | | - | uw | | | Ø18 plastic plug (minimum 2 pieces) |
| 10400 | 13306/A | | - | uw | | | Top wash ramp O-ring |
| 10405 | 18135 | | - | uw | | | Wash nozzle |
| 10410 | 16161 | | - | uw | | | Top wash pipe |
| 10415 | 12503 | | - | uw | | | Plug |
| 10420 | 16920 | | - | uw | | | Top wash group |
| 10425 | 13316/A | | - | uw | | | DVGW hole O-ring |
| 10430 | 12538 | | - | uw | | | Closed head rinse nozzle (minimum 3 pieces) |
| 10435 | 16993 | | - | uw | | | Top rinse turret group |

em=ELECTROMECHANICAL SWITCHES, lw=LOWER WASHING, uw=LOWER AND UPPER WASHING
6U=6U

bt=BREAK TANK, bp=BOOSTER PUMP, dvgw=DVGW, cr=COLD RINSE, ws=WATER SOFTNER, dd=DETERGENT DISPENSER, dp=DRAIN PUMP

A=3/N/PE~380-400V 50-60Hz, D=3/PE~200-210V 50-60Hz, F=2/PE~220-240V 50-60Hz, G=3/N/PE~415V 50-60Hz, H=3/PE~220-230V 50-60Hz, K=3/PE~380-400V 50-60Hz, L=3/PE~415V 50-60Hz, M=3/PE~440V 60Hz, P=1/N/PE~220-230V 50-60Hz, R=2/PE~220-240V 50-60Hz, U=1/N/PE~240V 50-60Hz, V=3/PE~240V 50-60Hz, W=1/N/PE~100-110V 50-60Hz