

Зип Ощепит

vsezip.ru

+7(812)987-08-81

HOOD TYPE MACHINE

INSULATED DOUBLE WALLED CAPOTE
ELECTROMECHANICAL SWITCHES
ELECTRONIC SWITCHES VERSION

TYPE: 37U

Accessories

CAPOTE "LIFT" LIFTING SYSTEM

BREAK TANK

BOOSTER PUMP

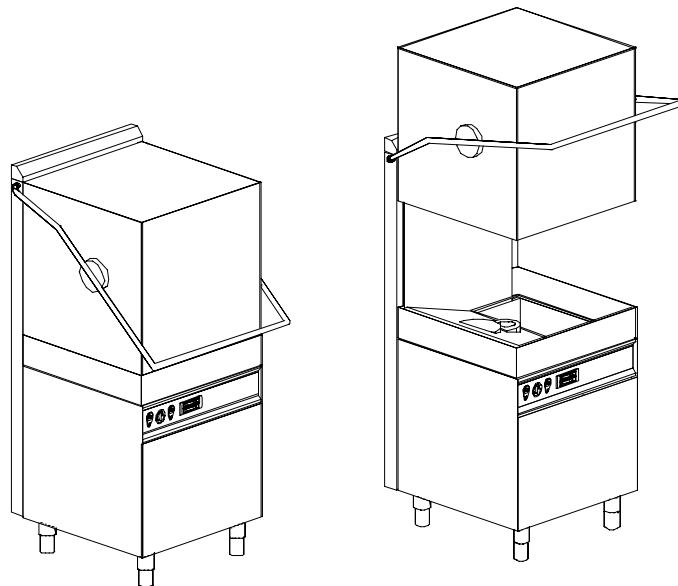
DVGW

WATER SOFTNER

DETERGENT DISPENSER

DRAIN PUMP

Spare parts manual



Зип Общепит

vsezip.ru

+7(812)987-08-81

vsezip.ru

+7(812)987-08-81

1. Spare parts

General body parts.....	7
Closing panelig.....	9
Capote LIFT lifting system.....	11
Control electric components.....	13
Control electric components.....	15
Solenoid valve group	17
Solenoid valve group	19
Break Tank	21
Booster pump.....	23
DVGW	25
Water softner group.....	27
Shining product dosing device group .	29
Boiler group	31
Derivation group	33
Wash pump group.....	35
Dosing device group	37

Dosing device group.....39

Drain pump group.....41

Pressure switch group with air trap ...43

Turret group with rotating arms45

1.1 Voltage codes

Voltage code	Voltage
A	3/N/PE~400/230V 50Hz
B	~250V 16A 50Hz
C	3/N/PE~380/220V 50Hz
D	3/PE~200V 50-60Hz
F	2/PE 220-240V 50Hz
G	3/N/PE~415/240V 50Hz
H	3/PE~230V 50Hz
I	3/PE~220V 60Hz
J	3/PE~380 50Hz
K	3/PE~400V 50Hz
L	3/PE~415V 50Hz
M	3/PE~440V 60Hz
N	3/PE~460V 60Hz
O	3/PE~480V 60Hz
P	1/N/PE~220-240V 50Hz
R	2/PE~220-230V 60Hz
S	3/N/PE~400/230V 50Hz
T	3/PE~230V 60Hz

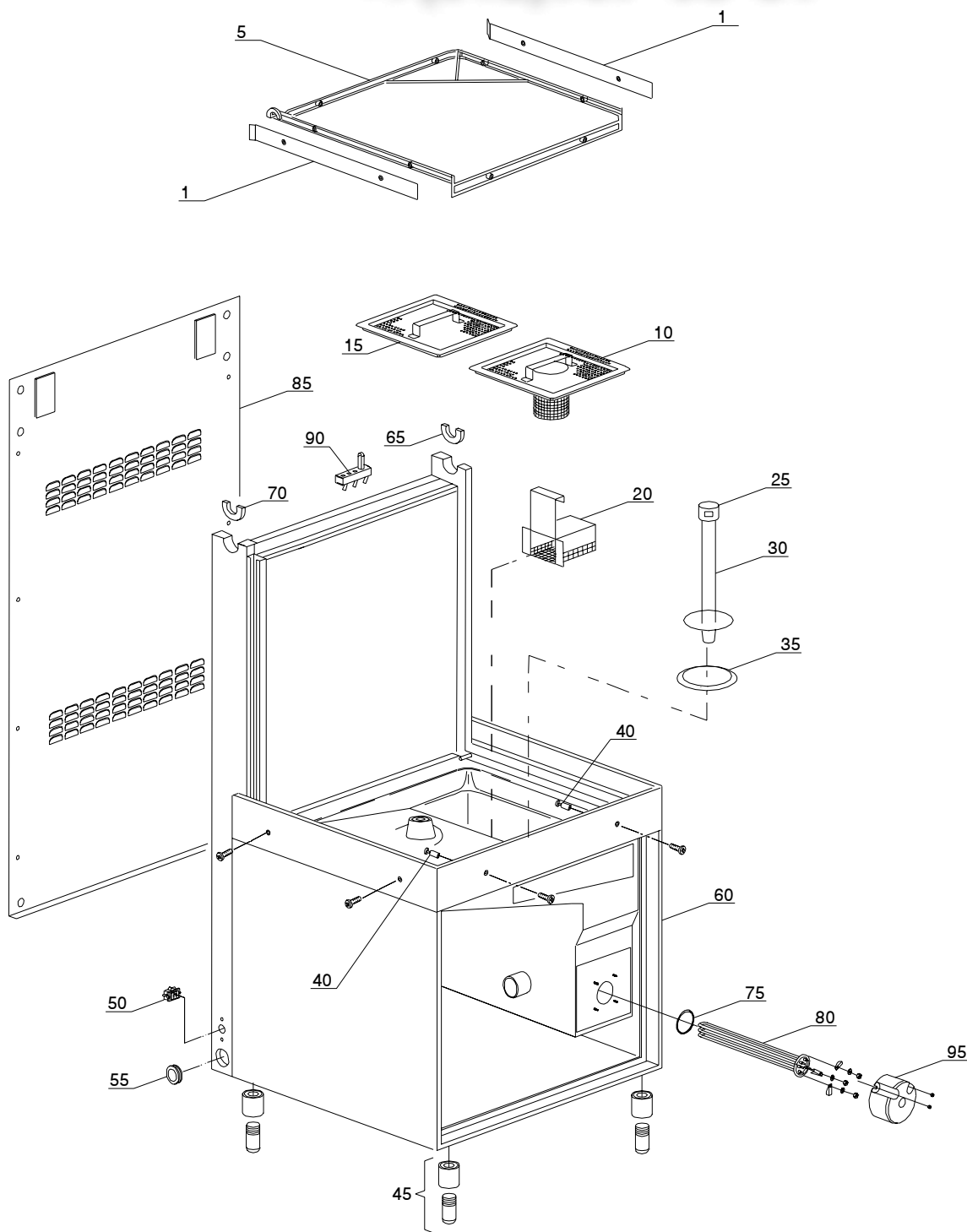
1.2 Product codes

Product code	Full name
Model codes	
is	INSULATED DOUBLE WALLED CAPOTE
em	ELECTROMECHANICAL SWITCHES
e	ELECTRONIC SWITCHES VERSION
Type codes	
37U	37U
Accessory codes	
lift	CAPOTE "LIFT" LIFTING SYSTEM
bt	BREAK TANK
pap	BOOSTER PUMP
dvgw	DVGW
d	WATER SOFTNER
dde	DETERGENT DISPENSER
ps	DRAIN PUMP

vsezip.ru

+7(812)987-08-81

01_004_e



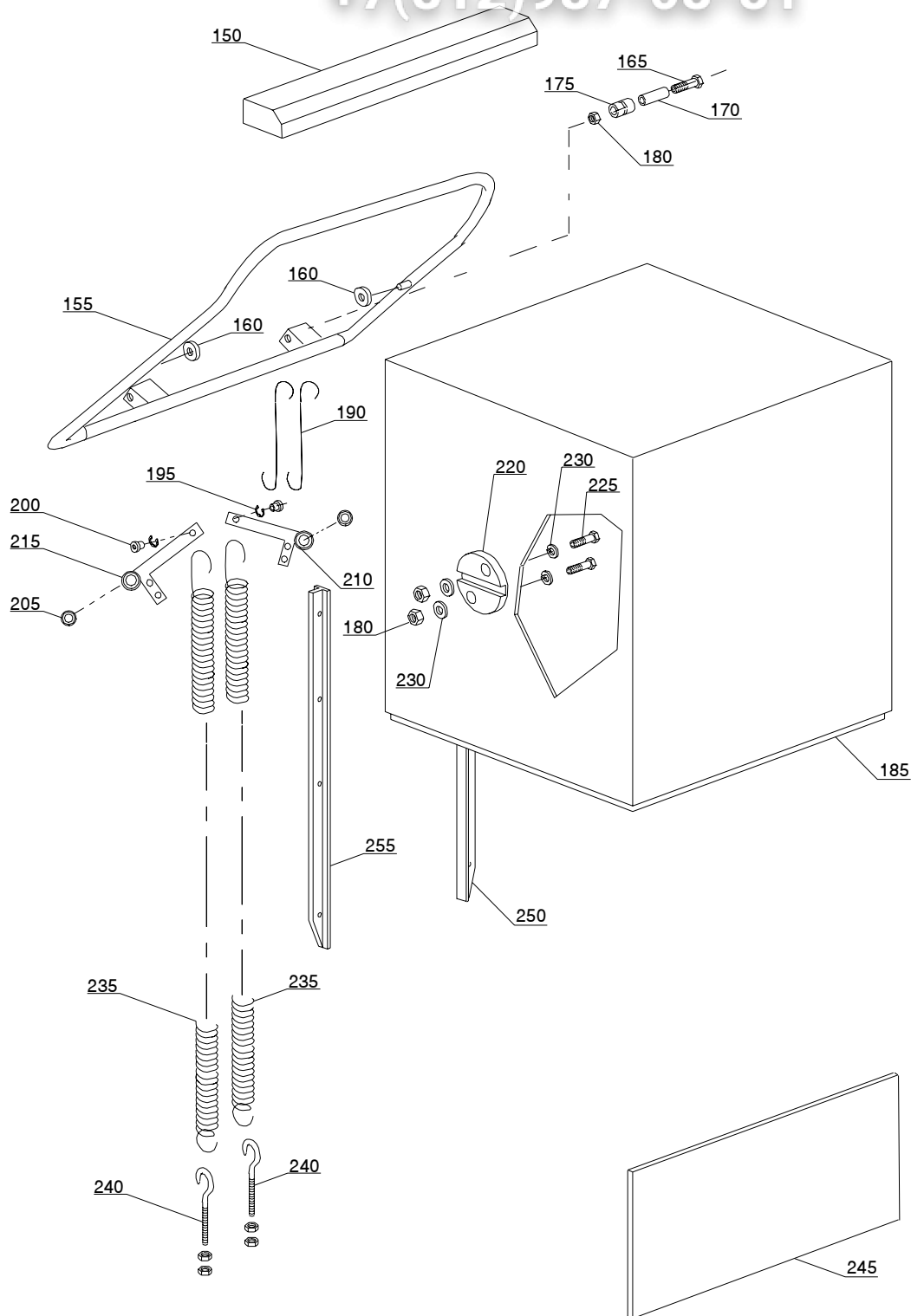
vsezip.ru

ID	P-code	Model	Type	Accessory	Voltage	Description
MODULE:General body parts						
1	10600923		37U			Basket side
5	11600001		37U			Basket support
10	11600906		37U			Filter with hole
15	11600907		37U			Filter
20	3019071		37U			Suction filter
25	11600019		37U			Terminal overflow pipe
30	11600011		37U			Overflow pipe
30	11600052		37U	dp		Overflow pipe
35	11600002		37U			Flange gasket
40	11600018		37U			Basket-holder support pin
45	15116		37U			Foot
50	15065/A		37U			Cable-fastener with screw
55	13324		37U			Ø46 mm fairlead
60	11600900		37U			Base assembly
65	11600016		37U	lift		Right grip pilot boss
65	11600055		37U			Right/left pilot bush
70	11600017		37U	lift		Left grip pilot boss
70	11600055		37U			Right/left pilot bush
75	13015		37U			6225 OR 160 NBR gasket
80	15089		37U			4,5KW heating element
80	15046		37U			3KW heating element
80	15089/B		37U			4,5KW heating element - 440Vac
85	11600630		37U			Back panel
90	70305		37U			Limit stop push button
95	75311		37U			Heating element guard

vsezip.ru

+7(812)987-08-81

02_202_e

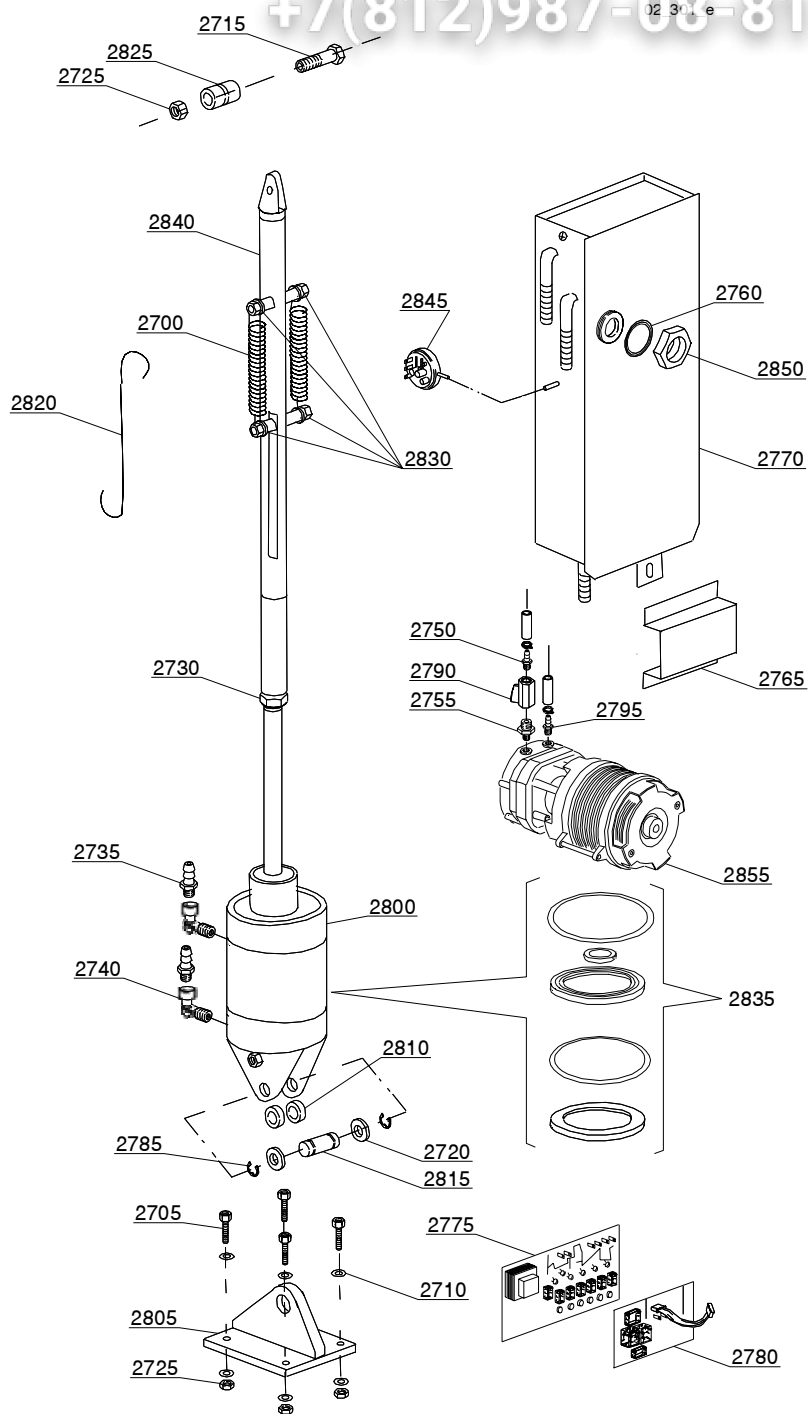


vsezip.ru

ID	P-code	Model	Type	Accessory	Voltage	Description
MODULE:Closing panelig						
150	11600913		37U			Spoiler
155	11600910		37U			Grip
160	89919		37U			Wheel for basket
165	11214		37U			Screw
170	11600015		37U			Roller spacer
175	11600014		37U			Roller tie rod
180	11718		37U			M8 stainless steel self-locking nut
185	11600902		37U			Capote
190	11600013		37U			Union grip/levers tie rod
195	11823		37U			Ø10 stainless steel snap ring
200	11600038		37U			Spring bush
205	10800010		37U			Lever bearing
210	11600026		37U			Right lever
215	11600027		37U			Left lever
220	11600030		37U			Capote movement cam
225	11110		37U			M8x35 TE stainless steel screw
230	13301		37U			Gasket
235	70302		37U			Back spring
240	10800210		37U			Tie rod screw with hook
245	11600616		37U			Lower door panel
250	11600028		37U			Capote right sliding guide
255	11600029		37U			Capote left sliding guide

vsezip.ru

+7(812)987-08-81

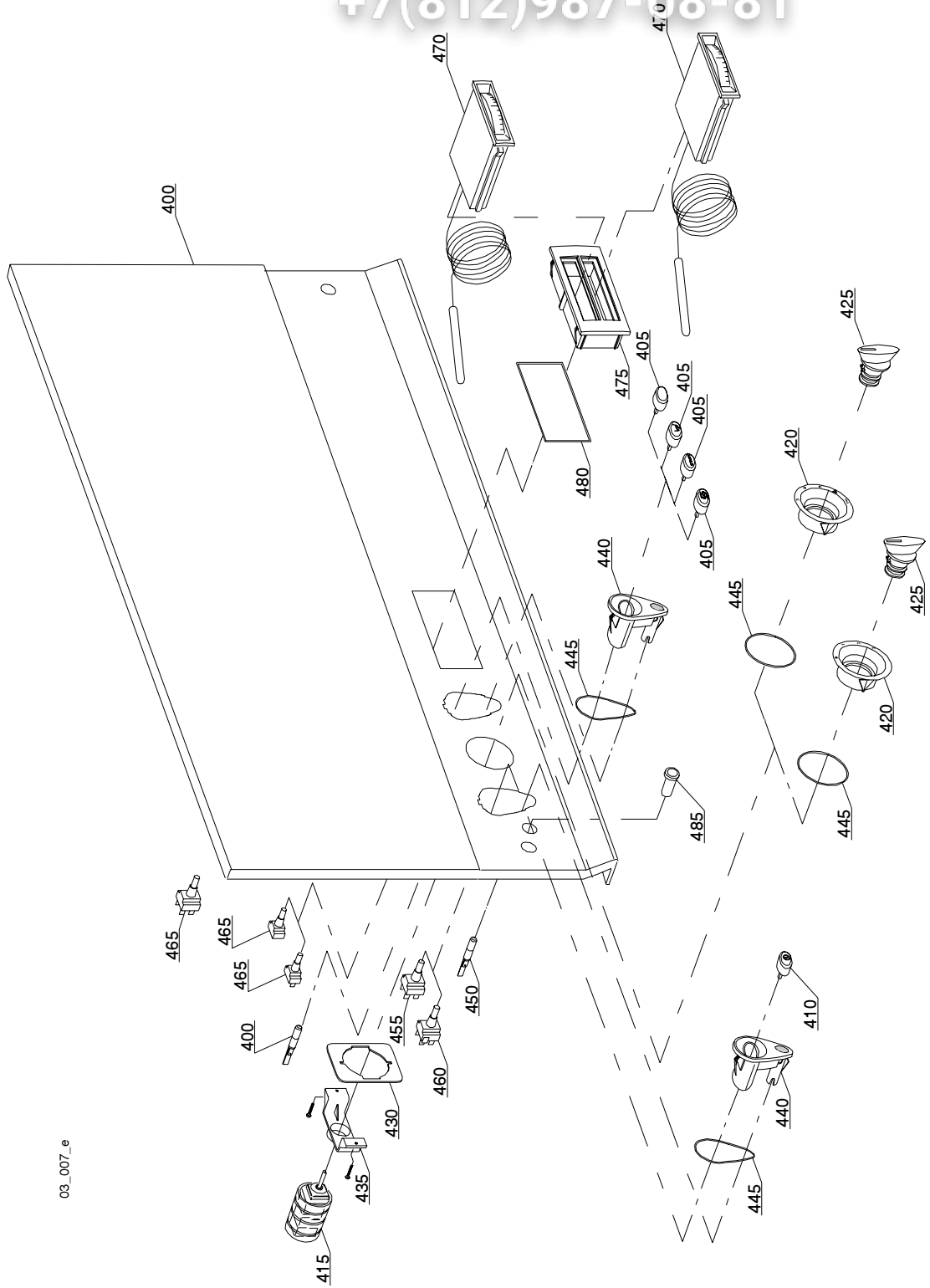


vsezip.ru

ID	P-code	Model	Type	Accessory	Voltage	Description
MODULE:Capote LIFT lifting system						
2700	10700		37U	lift		Door spring
2705	11166		37U	lift		Screw
2710	11177		37U	lift		Plain washer
2715	11215		37U	lift		Screw
2720	11617		37U	lift		Washer
2725	11718		37U	lift		M8 stainless steel self-locking nut
2730	11720		37U	lift		M16 stainless steel nut
2735	12005		37U	lift		Rubber-holder
2740	12012		37U	lift		M/F 1/4 Elbow
2750	12013		37U	lift		Rubber-holder
2755	12034		37U	lift		Reduction nipple
2760	13305		37U	lift		44x32x3 drain elbow gasket
2765	15738		37U	lift		Hole protection
2770	15745		37U	lift		G12 lift tank piston
2775	50557		37U	lift		60/100/180 Eco-2 electronic timer
2780	50559		37U	lift		Electronic timer for Exp - Ps card
2785	3002069		37U	lift		Stainless steel snap ring
2790	3002140		37U	lift		FF 1/2 tap
2795	10221311		37U	lift		Rubber-holder
2800	11600042		37U	lift		G-12 hydraulic piston
2805	11600043		37U	lift		Ball joint flange for piston
2810	11600044		37U	lift		Spacer for ball joint flange
2815	11600045		37U	lift		Piston attachment pin for flange
2820	11600046		37U	lift		G-12 lift tie rod for grip lever
2825	11600047		37U	lift		G-12 strengthened roller
2830	11600049		37U	lift		Spacer for spring attachment
2835	11600053		37U	lift		Set of gasket for hydraulic piston
2840	11600917		37U	lift		G-12 lifting arm
2845	10706/A		37U	lift		47-27 pressure switch
2850	11701/A		37U	lift		Stainless steel nut
2855	15100/D		37U	lift		Booster pump

vsezip.ru

+7(812)987-08-81



03_007_e

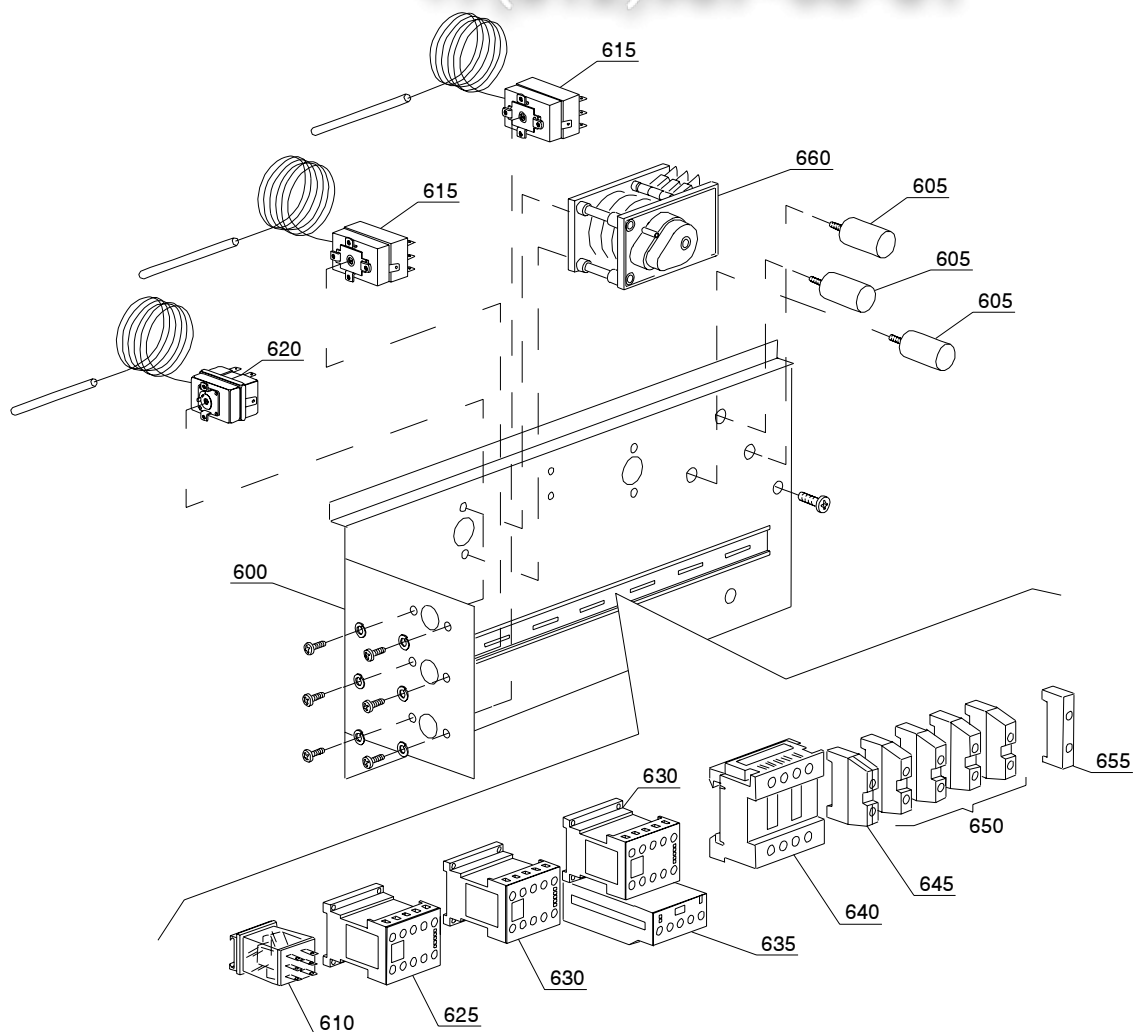
vsezip.ru

ID	P-code	Model	Type	Accessory	Voltage	Description
MODULE:Control electric components						
400	11600921		37U			Control panel
400	11600922		37U			Control panel
405	89348		37U			Blind key
405	89345		37U			Regeneration key
405	89343		37U			Drain pump key
410	89340		37U			ON-OFF key
415	10300208		37U			Rotating push selector switch
420	89349		37U			Push selector switch support
425	89321		37U			Push selector switch handle control
430	89323		37U			Screw retainer
435	89322		37U			Push selector switch screw retainer support
440	89300		37U			Key support
445	89332		37U			OR gasket
450	15826		37U			Pilot light
455	15812		37U			16A switch
460	15811		37U			16A bipolar switch
465	15813		37U			16A unipolar push button
465	15844		37U			Key support
465	15800		37U			16A bipolar push button
470	10500011		37U			Thermometer
475	89306		37U			Double thermometer support
480	89331		37U			OR gasket
485	10711/B		37U			Pilot light

vsezip.ru

+7(812)987-08-81

04_005_e

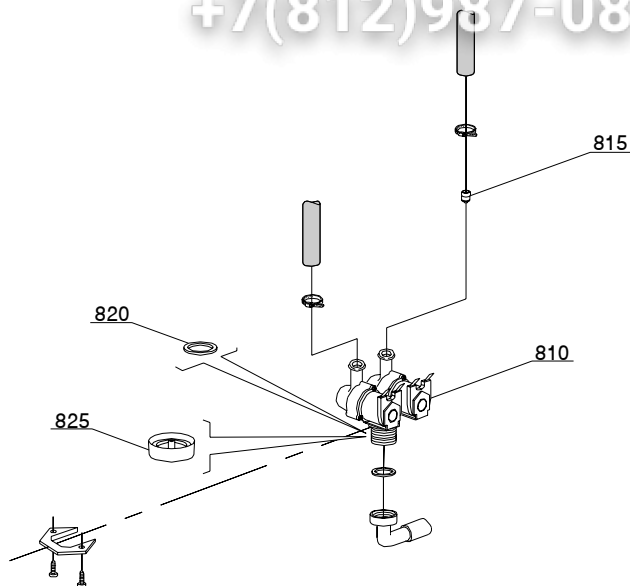


vsezip.ru

ID	P-code	Model	Type	Accessory	Voltage	Description
MODULE:Control electric components						
600	11600619		37U			Electric component panel
605	15149		37U			Low noise filter
610	560301		37U			Relay
615	10707/1		37U			0-90°C thermostat
620	2000430		37U			Safety thermostat
625	10300391		37U			3NA/1NC remote control switch
625	10300392		37U			3NA/1NC remote control switch - 240Vac 50Hz
630	15086		37U			Remote control switch 230V 50/60Hz 4C
630	15086/B		37U			Remote control switch 240V 50Hz
635	88112		37U		A	4,5-7,5A temperature relay
635	10300321		37U			3-5A temperature relay
640	10300050		37U			25/12A remote control switch
640	10300052		37U			36A/20A remote control switch
645	10300401		37U			6/8mm ² yellow/green terminal
650	10300403		37U			6mm ² terminal
655	3006093		37U			Slide DIN retainer
660	10300117		37U			"60/90/120"" timer"
660	10300118		37U			"60/90/120"" timer - 220Vac 60Hz"
660	10300121		37U			"60/120/180"" timer - 220Vac 50Hz"
660	10300122		37U			"50/100/150"" timer"
665	16064/A		37U	ws		Regeneration timer
670	15620		37U	ws		Bipolar relay in deviation
675	500551		37U			6 poles terminal board

vsezip.ru

+7(812)987-08-81



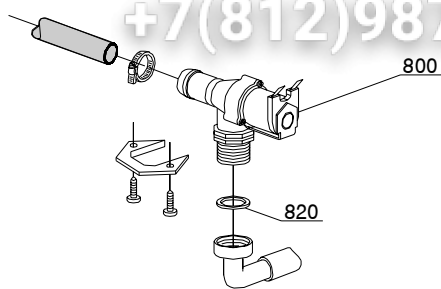
05_003_e

vsezip.ru

ID	P-code	Model	Type	Accessory	Voltage	Description
MODULE: Solenoid valve group						
810	15098		37U	cr,ws		Double solenoid valve - Ø10
810	30001001		37U	lift		Double solenoid valve - Ø12
815	15115		37U	cr,ws		Green pression solenoid valve
820	N.C.		37U	cr,ws		Pression reducing valve

vsezip.ru

+7(812)987-08-81



05_005_e

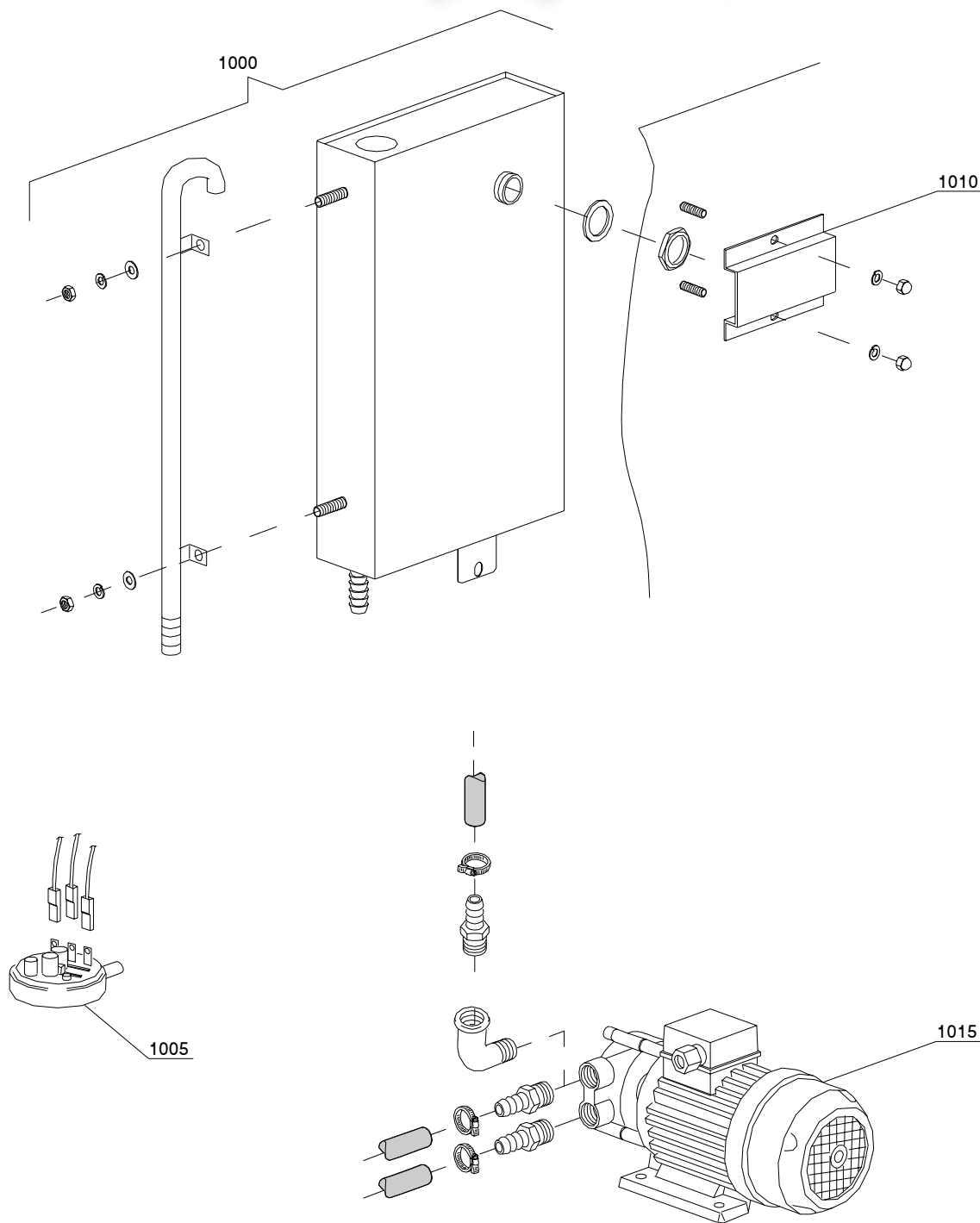
vsezip.ru

ID	P-code	Model	Type	Accessory	Voltage	Description
MODULE:Solenoid valve group						
800	30001000		37U			Single solenoid valve
820	N.C.		37U			Pression reducing valve

vsezip.ru

+7(812)987-08-81

06_001_e

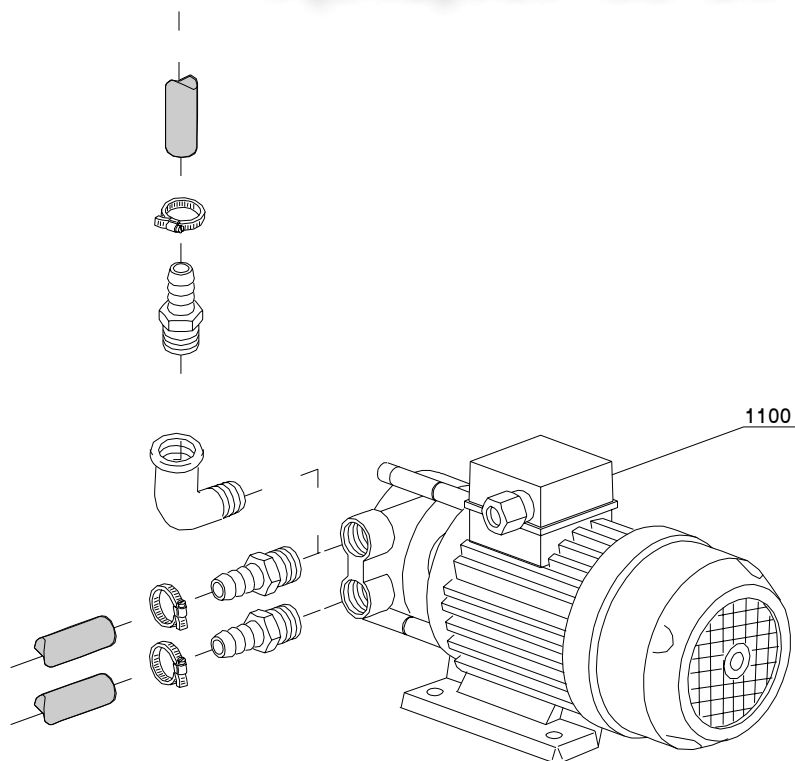


vsezip.ru

ID	P-code	Model	Type	Accessory	Voltage	Description
MODULE:Break Tank						
1000	15735		37U	bt		Break tank assembly
1005	10706/A		37U	bt		47-27 pressure switch
1010	15738		37U	bt		Hole protection
1015	15100		37U	bt		Booster pump

vsezip.ru

+7(812)987-08-81 07_002_e

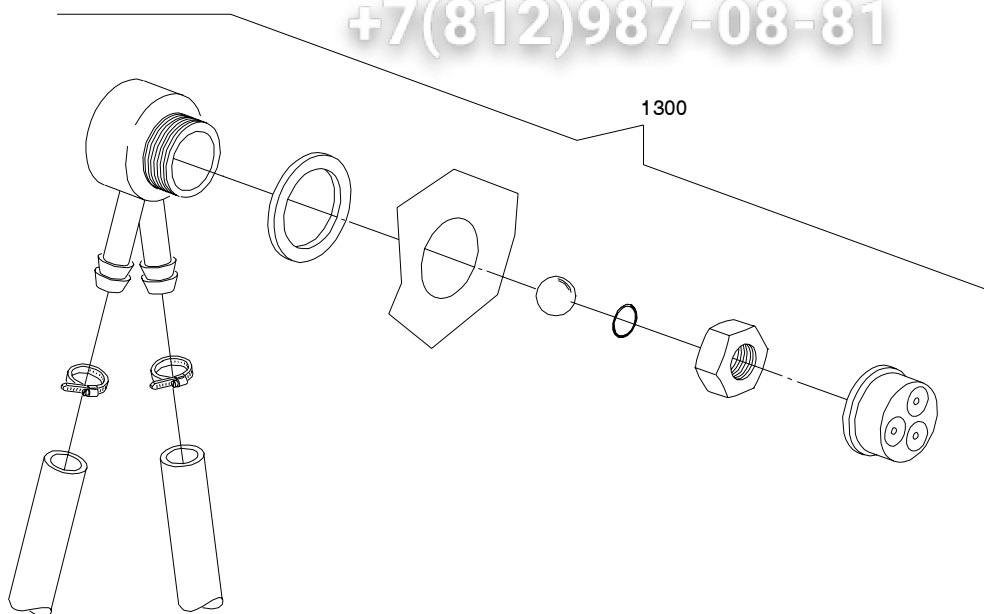


vsezip.ru

ID	P-code	Model	Type	Accessory	Voltage	Description
MODULE:Booster pump						
1100	15100		37U	bp		Booster pump

vsezip.ru

+7(812)987-08-81

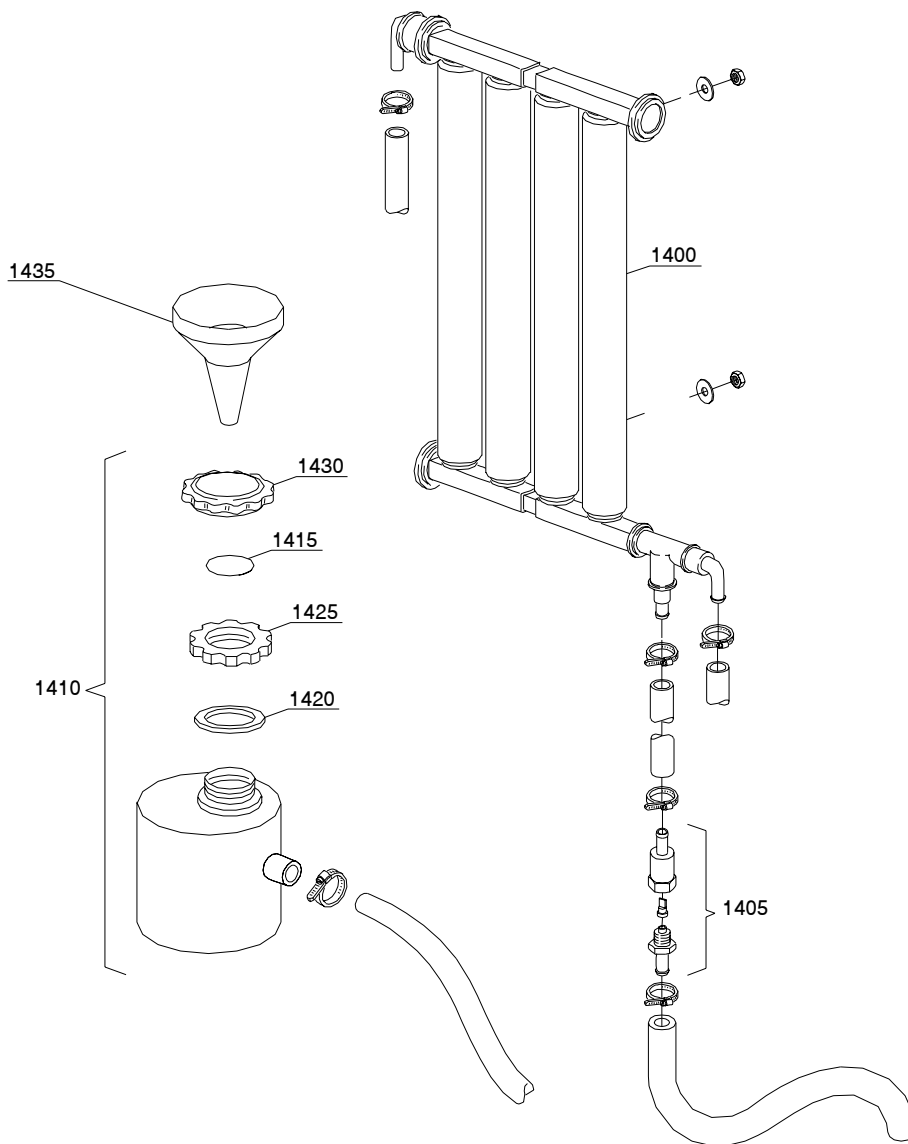


08_005_e

vsezip.ru

ID	P-code	Model	Type	Accessory	Voltage	Description
MODULE:DVGW						
1300	999900006		37U	dvgw		DVGW assembly

09_001_e

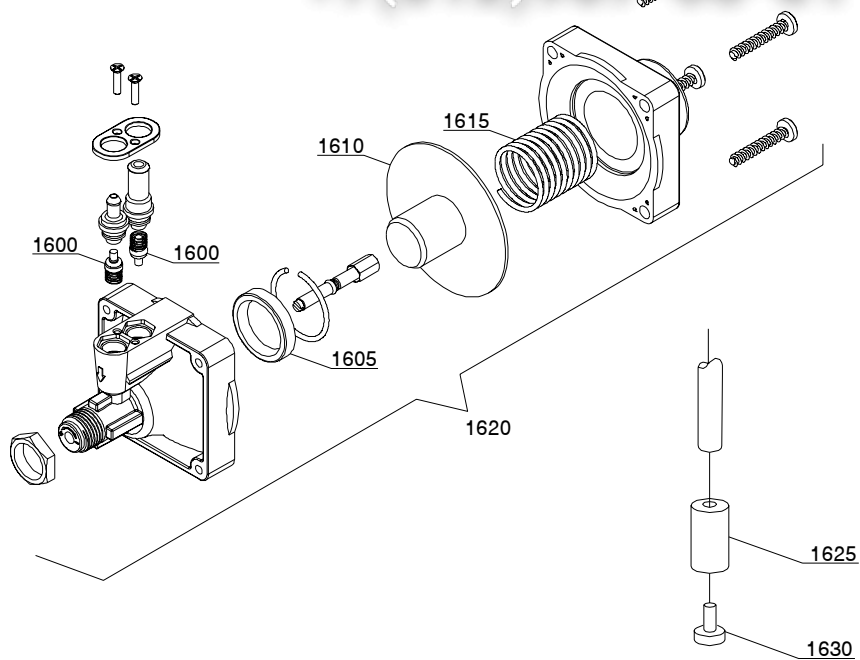


vsezip.ru

ID	P-code	Model	Type	Accessory	Voltage	Description
MODULE:Water softner group						
1400	16066		37U	ws		4 elements water softner
1405	16070		37U	ws		Nonreturn valve
1410	16065		37U	ws		Salt container
1415	16067/A		37U	ws		OR gasket
1420	16067/B		37U	ws		Gasket
1425	16067/C		37U	ws		Ring nut
1430	16067/D		37U	ws		Plug
1435	16082		37U	ws		Funnel

vsezip.ru

+7(812)987-08-81



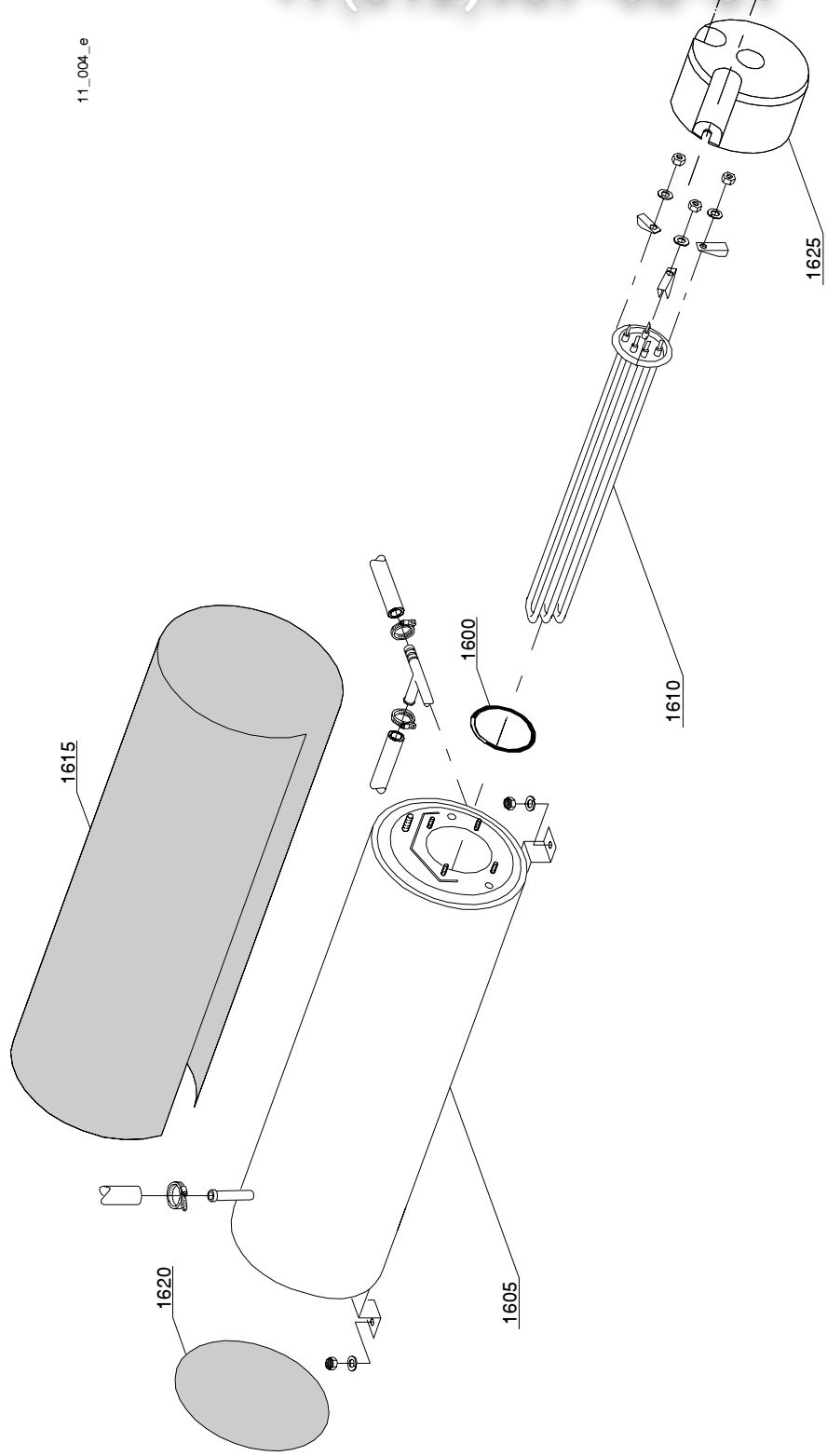
10_003_e

vsezip.ru

ID	P-code	Model	Type	Accessory	Voltage	Description
MODULE:Shining product dosing device group						
1600	10805		37U			Tecno pro dosing valve
1605	10806		37U			Ø22 gasket
1610	10807		37U			Membrane
1615	10808		37U			Spring
1620	10599999		37U			Shining product dosing device
1625	12525		37U			Counter-weight
1630	15058		37U			Small filter

vsezip.ru

+7(812)987-08-81

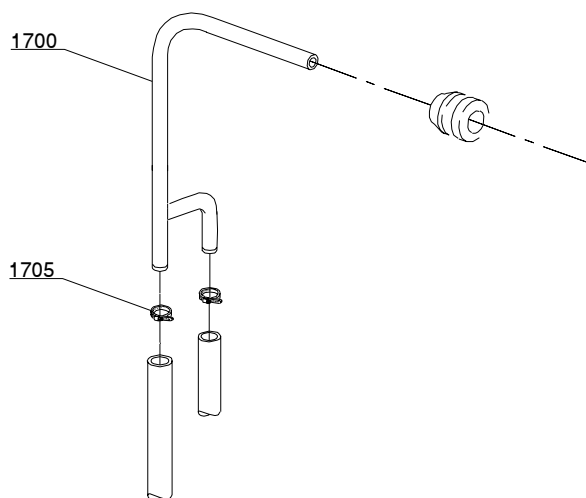


vsezip.ru

ID	P-code	Model	Type	Accessory	Voltage	Description
MODULE:Boiler group						
1600	13015		37U			6225 OR 160 NBR gasket
1605	22002		37U			Boiler
1610	30001010		37U			6KW heating element
1610	30001011		37U			9KW heating element
1610	30001011/A		37U			12KW heating element
1610	30001011/C		37U			9KW heating element
1615	30002030		37U			Insulating boiler
1620	75205		37U			Ø160 bottom
1625	75311		37U			Heating element guard

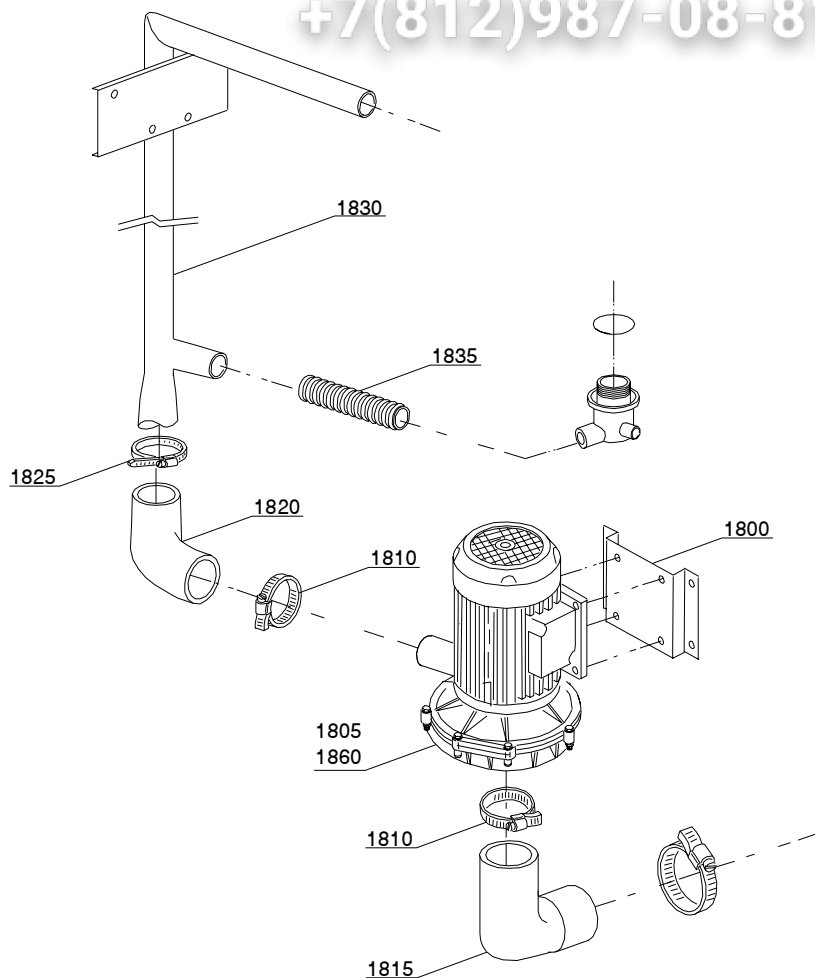
vsezip.ru

+7(812)987-08-81 12_007_€



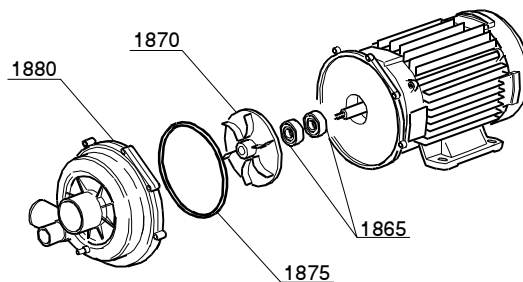
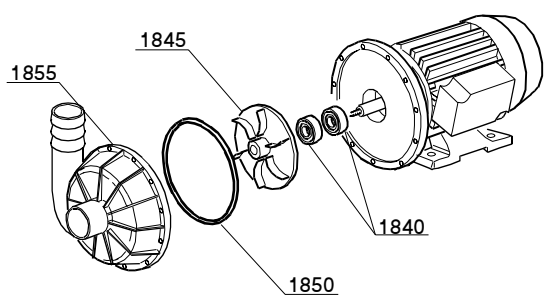
vsezip.ru

ID	P-code	Model	Type	Accessory	Voltage	Description
MODULE:Derivation group						
1700	15045/B		37U			3 ways derivation
1705	11807		37U			12/22 clamp



1805

1860

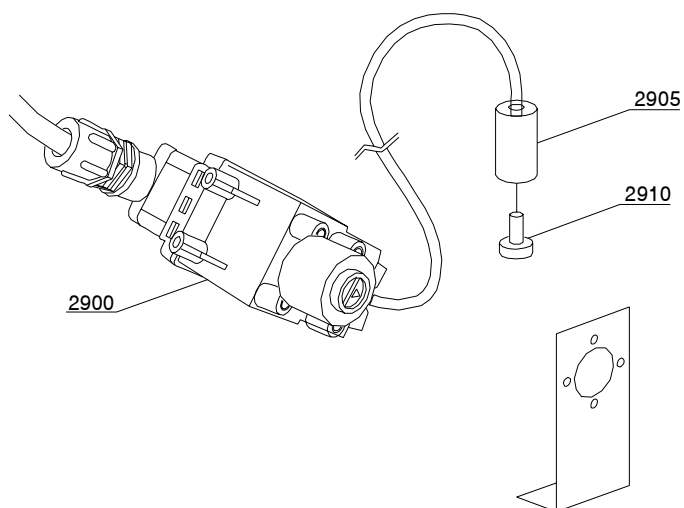
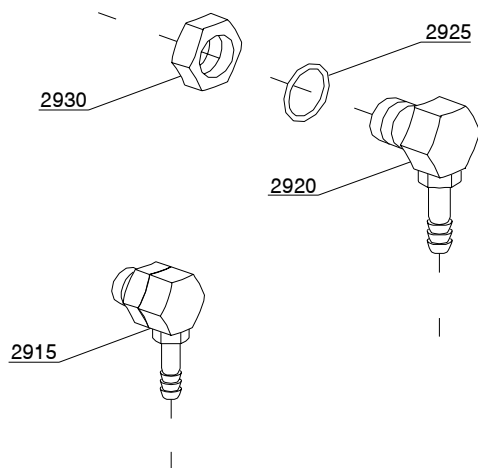


vsezip.ru

ID	P-code	Model	Type	Accessory	Voltage	Description
MODULE:Wash pump group						
1800	11600623		37U			Pump support hanger
1805	10300057/A		37U			1,5Hp pump
1805	22037		37U			2Hp pump
1810	11824		37U			50/70 clamp
1815	3002020		37U			Elbow pipe coupling
1820	11600000		37U			Wash ramp delivery side pipe coupling
1825	11809		37U			30/45 clamp
1830	11600022		37U			Wash ramp
1835	11600048		37U			Pipe coupling
1840	15080		37U			Rotating seals
1845	10209807		37U			Pump rotor (pump 1,5KW)
1845	22045		37U			Pump rotor (pump 2Hp)
1850	10200290		37U			OR 1225 gasket
1855	10200222		37U			Scroll
1860	22009/C		37U			1,5Hp pump
1860	10300061		37U			1,5Hp pump - 440Vac 60Hz
1865	15080/E		37U			Rotating seals
1870	22009/A		37U			Pump rotor
1875	15080/A		37U			Gasket
1880	15078		37U			Scroll

vsezip.ru

+7(812)987-08-81 14_002_e

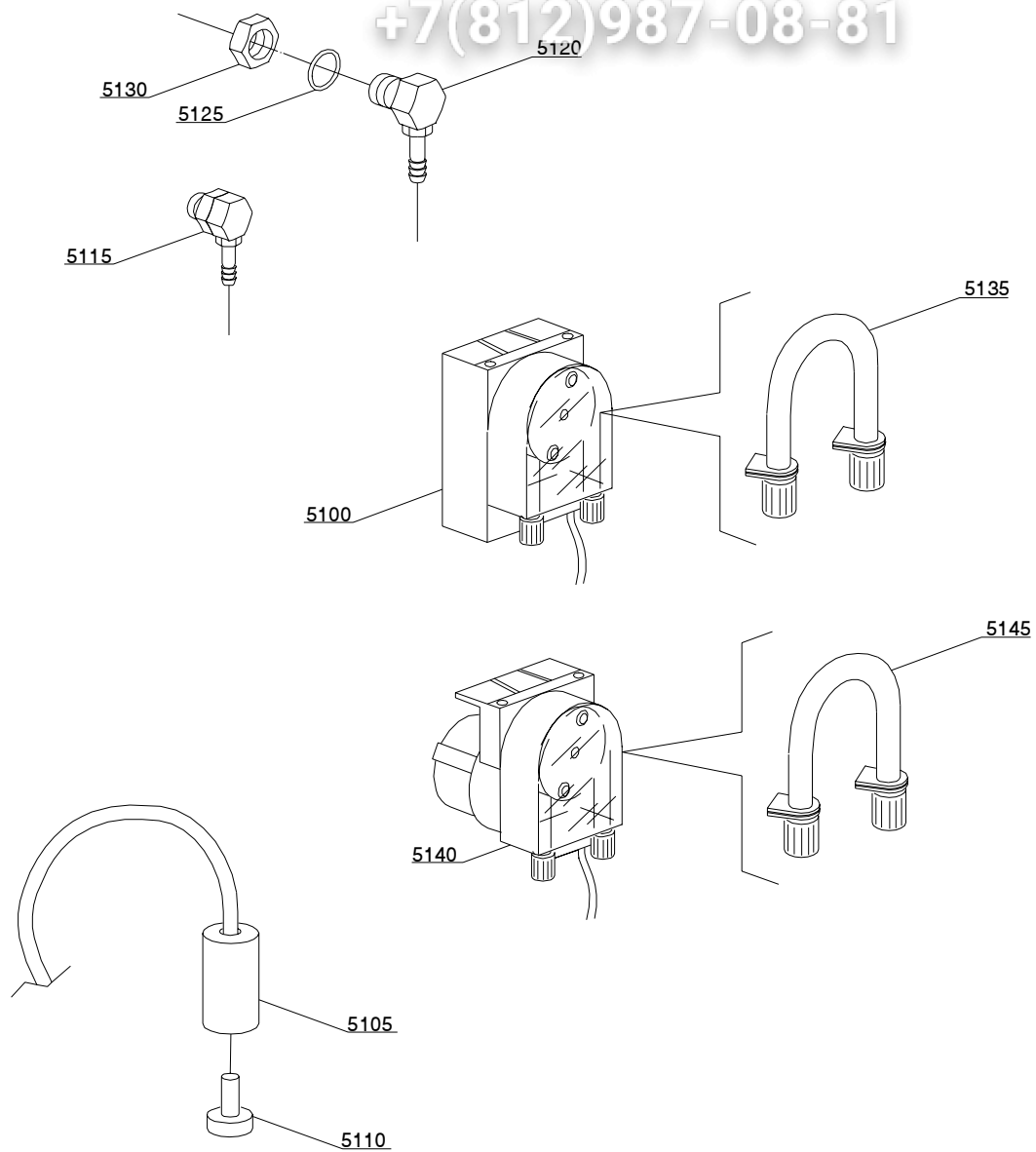


vsezip.ru

ID	P-code	Model	Type	Accessory	Voltage	Description
MODULE:Dosing device group						
2900	15108/L		37U	dd		Lang dosing device
2905	12525		37U	dd		Counter-weight
2910	15058		37U	dd		Small filter
2920	15148		37U	dd		Steel injector
2925	15159		37U	dd		OR gasket
2930	10200205		37U	dd		M12x1 stainless steel nut

vsezip.ru

+7(812)987-08-81

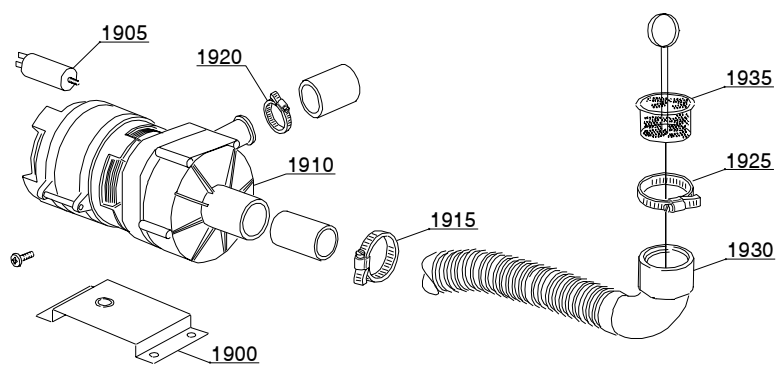


14_004_e

vsezip.ru

ID	P-code	Model	Type	Accessory	Voltage	Description
MODULE:Dosing device group						
5100	15985		37U	dd		Seko dosing device
5105	12525		37U	dd		Counter-weight
5110	15058		37U	dd		Small filter
5120	15148		37U	dd		Steel injector
5125	15159		37U	dd		OR gasket
5130	10200205		37U	dd		M12x1 stainless steel nut
5135	15185		37U	dd		Seko thermoplastic pipe
5140	15985		37U	dd		Germac dosing device
5145	15108/E		37U	dd		Germac thermoplastic pipe

15_003_e

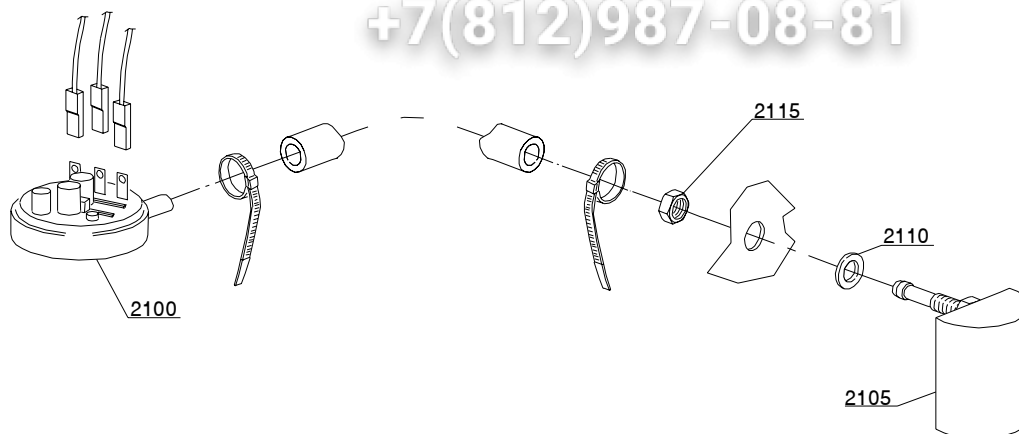


vsezip.ru

ID	P-code	Model	Type	Accessory	Voltage	Description
MODULE: Drain pump group						
1900	440122		37U	dp		Pump support
1905	10702		37U	dp		5 uF condenser
1910	10501/A		37U	dp		Drain pump
1915	11806		37U	dp		25/40 clamp
1920	11836		37U	dp		20/32 clamp
1925	11809		37U	dp		30/45 clamp
1930	15131		37U	dp		Suction pipe
1935	10200039		37U	dp		Flow drain filter
1945	11600050		37U	dp		Suction pipe

vsezip.ru

+7(812)987-08-81



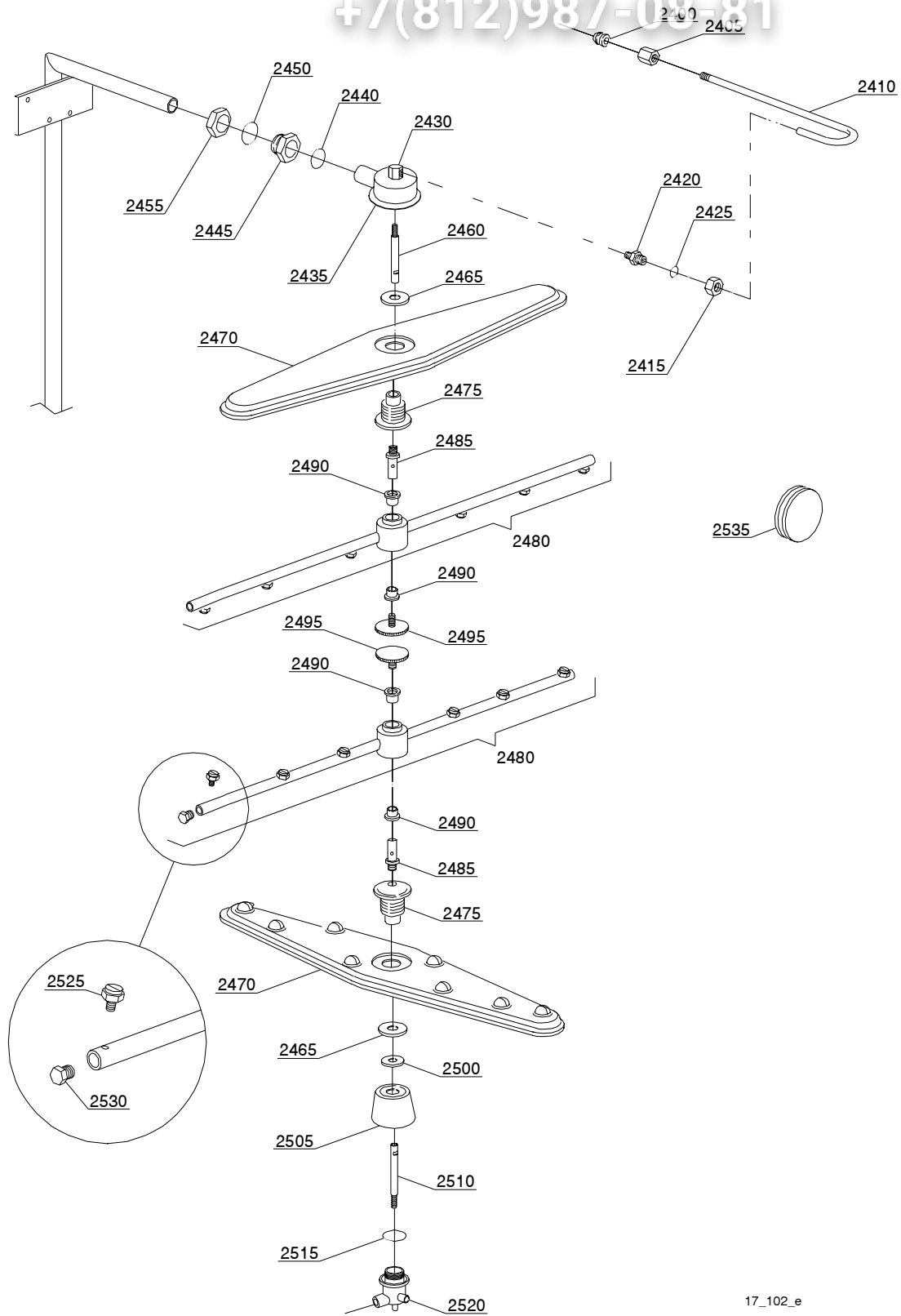
16_001_e

vsezip.ru

ID	P-code	Model	Type	Accessory	Voltage	Description
MODULE:Pressure switch group with air trap						
2100	88110		37U			260-30 pressure switch
2105	10911/B		37U			Air trap assembly
2110	13301		37U			Gasket
2115	11702		37U			M8 stainless steel nut

vsezip.ru

+7(812)987-08-81



17_102_e

vsezip.ru

ID	P-code	Model	Type	Accessory	Voltage	Description
MODULE:Turret group with rotating arms						
2400	13304		37U			Pipe-pass gasket
2405	12526		37U			Stainless steel pipe coupling
2410	75066		37U			Top rinse ramp
2415	12006/A		37U			Ø10 pipe fitting 3/8x3,5 nut 19 hexagonal
2420	12006		37U			Ø10 rinse pipe fitting
2425	13003		37U			OR 112 NBR gasket
2430	75319		37U			Rinse elbow
2435	78001		37U			Stainless steel turret for rotor
2440	13004		37U			OR 3137 NBR gasket
2445	15042		37U			"1" 1/4 ring nut"
2450	13008		37U			OR 147 NBR gasket
2455	15042/A		37U			Nut
2460	75322		37U			Top rinse axle extension
2465	75317		37U			Nut for hub
2470	10600900		37U			Wash rotor
2475	75320		37U			Hub for rotor
2480	75918		37U			Top/lower rinse group
2485	75323		37U			Rinse axle
2490	13330		37U			Sliding washer
2495	11101/B		37U			Stainless steel group fixing screw
2500	11600033		37U			Reduction flow ring
2505	11600007		37U			Lower turret
2510	11600021		37U			Lower rinse axle
2515	13015		37U			6225 OR 160 NBR gasket
2520	500621		37U			Lower turret
2525	560018		37U			Stainless steel rinse nozzle
2530	560017		37U			Rinse arm plug
2535	13316/A		37U			DVGW hole gasket