

Зип Общепит

vsezip.ru

+7(812)987-08-81

# WAREWASHER

ELECTRONICAL SWITCHES  
DOUBLE BODY VERSION

TYPE: 110EU

Accessories  
DETERGENT DISPENSER

---

## Spare Parts Manual

---



---

S/N:

Valid from:04/2011

Rev.: 0.0

---

**INFORMAZIONI GENERALI**

Questo catalogo serve per richiedere con esattezza le parti di ricambio

Nelle ordinazioni indicare:

1) il numero dei codici dei particolari seguito dalla descrizione e la quantità desiderata;

2) Il codice alfa-numerico presente nella seconda colonna della tabella ;

**I disegni delle parti di ricambio sono solo indicativi e non rappresentano il pezzo in oggetto.**

**I dati contenuti in questo catalogo sono indicativi e possono essere soggetti a modifiche senza impegno di preavviso.**

**ALLGEMEINE INFORMATIONEN**

Dieser Ersatzteilkatalog dient zur genauen Angabe der Teile bei Ersatzteilbestellungen.

Bei Ersatzbestellung ist folgendes anzugeben:

1) Die Bestellnummer der Ersatzteile mit der entsprechenden Beschreibung genaue Menge;

2) Der alpha-numerischer Code auf der zweiten Reihe in dein Sculd;

**Die Zeichnungen der Ersatzteile sind nur als Hinweise gedacht und stellen nicht das betroffene Teil dar.**

**Bei den im Katalog angeführten Daten handelt es sich um Anhaltsdaten, die jederzeit, ohne Vorankündigung, geändert werden können.**

**GENERAL INFORMATION**

The present spare parts order exactly the right spare parts

When ordering specify:

1) the part's code number followed by its description and quantity needed;

2) The alpha-numeric code is in the second column in the chart;

**Spare parts drawings are general and do not represent the part.**

**The contents of this catalogue are general and can undergo changes without prior notice.**

**INFORMACIONES GENERALES**

El presente catálogo sirve para pedir con exactitud las partes de repuesto

En los pedidos se debe indicar:

1) el número de código de la parte y a continuación la descripción cantidad deseada;

2) El código alfanumerico presente en la segnada columna de la tabla;

**Los diseños de las partes de recambio son solo indicativos y no representan la pieza en cuestión.**

**Los datos contenidos en el presente catálogo son indicativos y pueden modificarse sin aviso previo.**

**INFORMATIONS GENERALES**

Ce catalogue permet de commander correctement les pièces détachées

Les commandes doivent être passées en indiquant:

1) le numero de code des pièces détachées suivi de leur description quantité désirée;

2) le code alphanumérique dans la deuxième colonne du tableau;

**Les plans des pièces détachées sont fournis seulement à titre indicatif et ne représentent pas la pièce concernée.**

**Les données de ce catalogue sont citées seulement à titre indicatif et peuvent être l'objet de modifications sans avis préalable.**

**ESEMPIO  
EXAMPLE  
EXEMPLE  
BEISPIEL**

| Rif.               | Codici  |
|--------------------|---------|
| MODULE:Particolari |         |
| 10505              | 540903  |
| 10510              | 540908  |
| 10515              | 15065/A |
| 10520              | 540086  |
| 10525              | 540028  |



**Note**

Tutte le informazioni riportate si intendono aggiornate alla data di stampa. Il Produttore si riserva il diritto di apportare qualsiasi modifica richiesta dallo sviluppo evolutivo dei suddetti prodotti.

Per la sicurezza, la garanzia, l'affidabilità ed il valore della lavastoviglie usa solo ricambi originali. **Per alcuni codici, sono richieste quantità minime d'ordine.**



**Attenzione**

Questo libretto è parte integrante della lavastoviglie e, in caso di passaggio di proprietà, deve essere consegnato al nuovo acquirente.



**Remarque**

Toutes les informations contenues dans ce manuel s'entendent mises à jour à la date d'impression. En raison du développement constant de ses produits, usine se réserve le droit d'apporter à tout instant les modifications qu'elle jugera utiles.

Pour la sécurité, la garantie, la fiabilité et la valeur de votre lavevaisselles n'utilisez que des pièces de rechange d'origine. **Pour quelque référence on demande un minimum de pièces par commande**



**Attention**

Ce manuel doit être considéré comme partie intégrante de la lavevaisselles, en cas de transfert de propriété, doit toujours être remis au nouveau propriétaire.



**Note**

The information contained herein is valid at the time of going to print. The Company reserves the right to make any changes required by the future development of the above-mentioned products.

For your safety, as well as to preserve the warranty reliability and worth of your dishwashers, use original spare parts only. **For some codes a minimum quantity for order is required.**



**Warning**

This manual forms an integral part of the dishwashers and - if a transfer of title occurs - must always be handed over to the new owner.



**Hinweis**


Die Der Hersteller behält sich das Recht vor, jegliche, durch eine Weiterentwicklung der genannten Produkte bedingte Änderungen vornehmen zu können.

Verwenden Sie für Ihre Sicherheit, die Garantie, die Zuverlässigkeit und den Wert Ihrer machine originale Ersatzteile. **Für bestimmte Code nummer werden mindesten bestellungen verlangt.**




**Achtung**

Diese Betriebsanleitung ist Bestandteile des machine und muss bei seinem Weiterverkauf dem neuen Besitzer ausgehändigt werden.



+7(812)987-08-81




**Code** DW 999XXYYYY **CL/Part**

**Model DESCRIPTION**

**S/N** DW A 1015770 Type .....

400V 3N 50HZ 8A  
3500W 500W


 16A

**IPX3**

Pressione Dinamica alimentazione idrica 200-500 kPa  
Pression dynamique arrivée d'eau  
Dynamic pressure water supply  
Dynamischer Druck assereinlauf


Pressione dinamica vapore saturo  
Pression dynamique vapore satueèè  
Dymanischer Druck gesattigter Dampf  
Pression Dinamica Vapor Saturado


**TECHICAL SPECIFICATION**



**MADE IN ITALY**

Temperatura massima acqua in ingresso 60°C  
Temperature max eau a l'entre  
Maximale Temperatur Wasseranschlü  
Maximum Water temperature in-feeding

Model 

S/N 



Spare parts

---

**Зип Общепит**

**vsezip.ru**

**+7(812)987-08-81**

vsezip.ru

+7(812)987-08-81

## 1. Spare parts

|   |    |
|---|----|
| General body parts.....                 | 9  |
| General parts heat recovery .....       | 11 |
| Lockup system .....                     | 13 |
| Control panel and switches.....         | 15 |
| Electric control components.....        | 17 |
| Solenoid valve group .....              | 19 |
| Rinse with steady temperature.....      | 21 |
| Rinse aid dispenser group.....          | 23 |
| Wash pump .....                         | 25 |
| Dosing detergent group.....             | 27 |
| Pressure switch group with air trap ... | 29 |
| Wash and rinse group .....              | 31 |
| Motorgear components .....              | 33 |
| Basket rotating system .....            | 35 |
| Accessory.....                          | 37 |

vsezip.ru

+7(812)987-08-81

## 1.1 Voltage codes

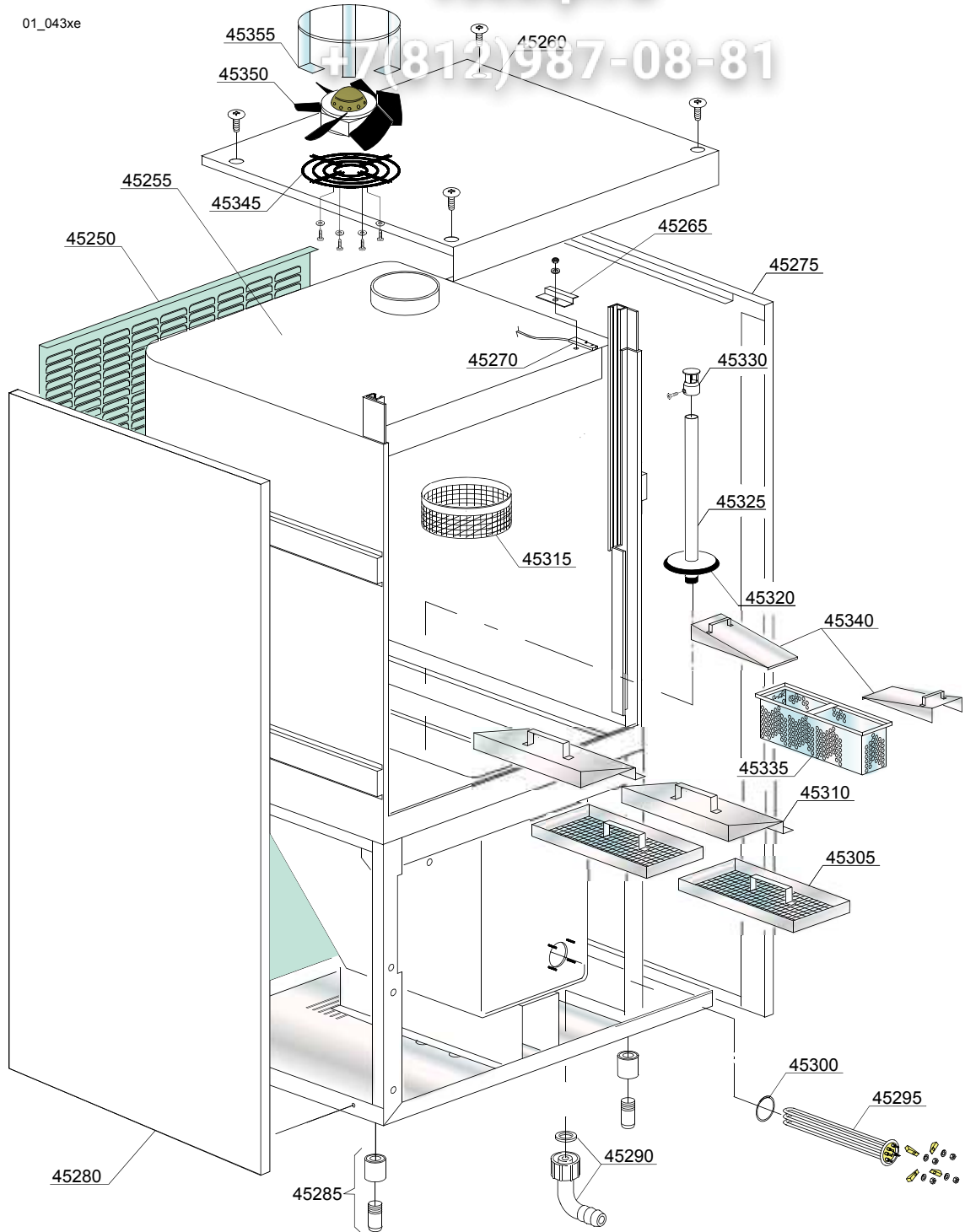
| Volt | Voltage code            |
|------|-------------------------|
| A    | 3/N/PE~380-400V 50-60Hz |
| D    | 3/PE~200-210V 50-60Hz   |
| F    | 2/PE~220-240V 50-60Hz   |
| G    | 3/N/PE~415V 50-60Hz     |
| H    | 3/PE~220-230V 50-60Hz   |
| K    | 3/PE~380-400V 50-60Hz   |
| L    | 3/PE~415V 50-60Hz       |
| M    | 3/PE~440V 60Hz          |
| P    | 1/N/PE~220-230V 50-60Hz |
| R    | 2/PE~220-240V 50-60Hz   |
| U    | 1/N/PE~240V 50-60Hz     |
| V    | 3/PE~240V 50-60Hz       |
| W    | 1/N/PE~100-110V 50-60Hz |

## 1.2 Product codes

| Product code    | Full name             |
|-----------------|-----------------------|
| Model codes     |                       |
| e               | ELECTRONICAL SWITCHES |
| dc              | DOUBLE BODY VERSION   |
| Type codes      |                       |
| 110EU           | 110EU                 |
| Accessory codes |                       |
| dd              | DETERGENT DISPENCER   |

vsezip.ru

+7(812)987-08-81





vsezip.ru

| ID                               | P-code     | SN from | SN to | Mod  | Acces | Volt | Description                             |
|----------------------------------|------------|---------|-------|------|-------|------|---|
| <b>Module:General body parts</b> |            |         |       |      |       |      |   |
| 45250                            | 96003      |         | -     | e,dc |       |      | Back panel                              |
| 45255                            | 96000      |         | -     | e,dc |       |      | Body with complete door                 |
| 45260                            | 96004      |         | -     | e,dc |       |      | Tank                                    |
| 45265                            | 3009112    |         | -     | e,dc |       |      | Support microswitch                     |
| 45270                            | 3003112    |         | -     | e,dc |       |      | Door microswitch                        |
| 45275                            | 96001      |         | -     | e,dc |       |      | Right lower panel                       |
| 45280                            | 96002      |         | -     | e,dc |       |      | Left lower panel                        |
| 45285                            | 15116      |         | -     | e,dc |       |      | Foot                                    |
| 45285                            | 80116/M    |         | -     | e,dc |       |      | "Marina" foot                           |
| 45290                            | 15613      |         | -     | e,dc |       |      | Elbow 1¼"                               |
| 45295                            | 30001011   |         | -     | e,dc |       |      | Heating element 9000/9800W 230 / 240V 3 |
| 45295                            | 30001011/C |         | -     | e,dc |       |      | Heating element 9KW 254/440V            |
| 45300                            | 13015      |         | -     | e,dc |       |      | O-ring 6225 OR 160 NBR                  |
| 45305                            | 96006      |         | -     | e,dc |       |      | Surface filter                          |
| 45310                            | 96007      |         | -     | e,dc |       |      | Slide for filter                        |
| 45315                            | 96119      |         | -     | e,dc |       |      | Filter for fireplace                    |
| 45320                            | 11600002   |         | -     | e,dc |       |      | Packing to flange                       |
| 45325                            | 96124      |         | -     | e,dc |       |      | Overflow pipe tube                      |
| 45330                            | 11600019   |         | -     | e,dc |       |      | End overflow pipe tube                  |
| 45335                            | 96008      |         | -     | e,dc |       |      | Inox rack collections granules          |
| 45340                            | 96009      |         | -     | e,dc |       |      | Slide collections granules              |
| 45345                            | 96121      |         | -     | e,dc |       |      | Grill+fan support                       |
| 45350                            | 96120      |         | -     | e,dc |       |      | Fan 230 / 240 V 50-60- Hz               |
| 45350                            | 96120/A    |         | -     | e,dc |       |      | Fan 440 V 60 Hz                         |
| 45355                            | 96014      |         | -     | e,dc |       |      | Motor fan support                       |

e=ELECTRONICAL SWITCHES, dc=DOUBLE BODY VERSION,

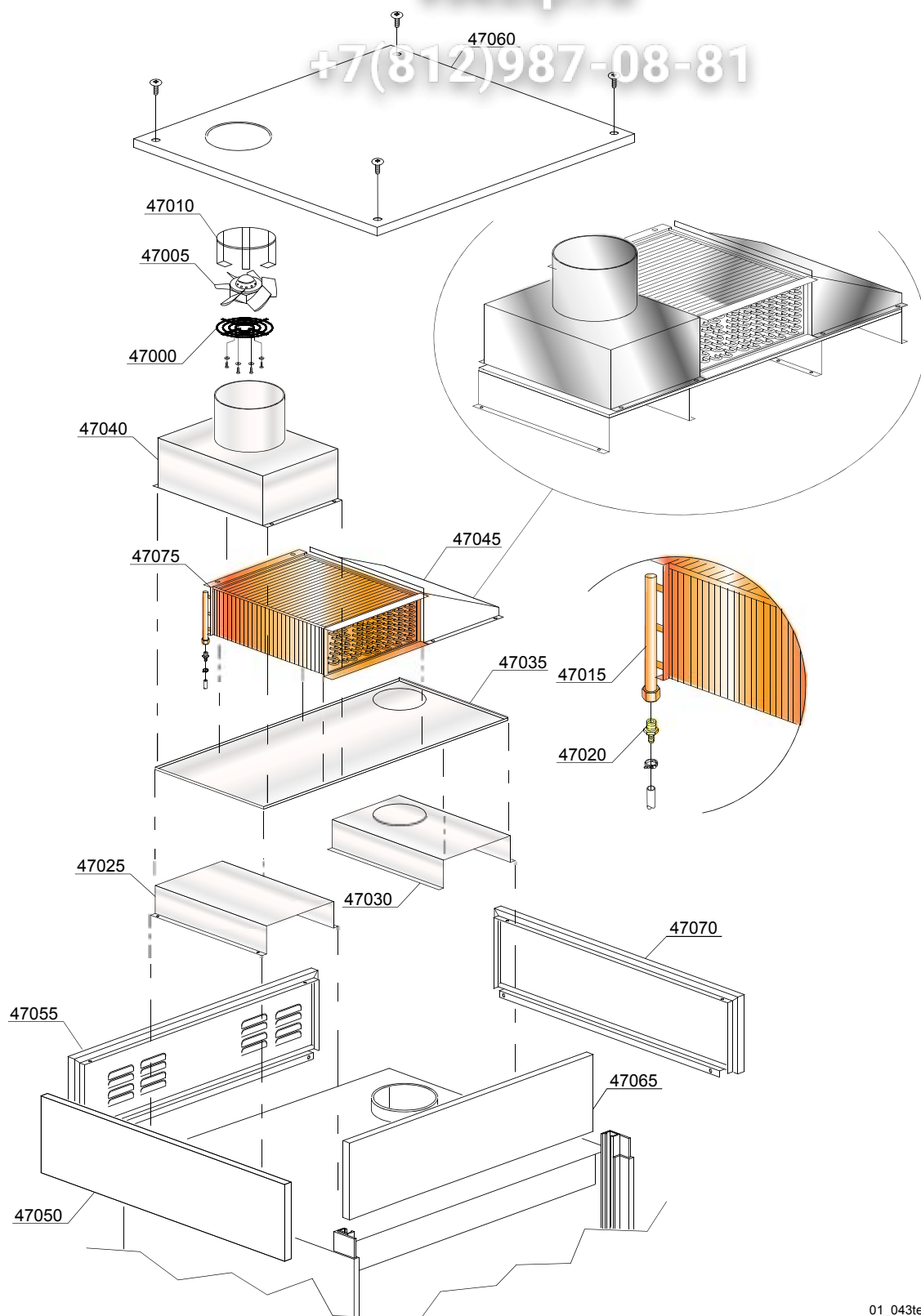
110EU=110EU

dd=DETERGENT DISPENCER

A=3/N/PE~380-400V 50-60Hz, D=3/PE~200-210V 50-60Hz, F=2/PE~220-240V 50-60Hz, G=3/N/PE~415V 50-60Hz, H=3/PE~220-230V 50-60Hz, K=3/PE~380-400V 50-60Hz, L=3/PE~415V 50-60Hz, M=3/PE~440V 60Hz, P=1/N/PE~220-230V 50-60Hz, R=2/PE~220-240V 50-60Hz, U=1/N/PE~240V 50-60Hz, V=3/PE~240V 50-60Hz, W=1/N/PE~100-110V 50-60Hz

vsezip.ru

+7(812)987-08-81



01\_043te

vsezip.ru

| ID  | P-code  | SN from | SN to | Mod  | Acces | Volt | Description                |
|---|---------|---------|-------|------|-------|------|----------------------------|
| <b>Module:General parts heat recovery</b> |         |         |       |      |       |      |                            |
| 47000                                     | 96121   |         | -     | e,dc |       |      | Grill+fan support          |
| 47005                                     | 96120   |         | -     | e,dc |       |      | Fan 230 / 240 V 50-60- Hz  |
| 47005                                     | 96120/A |         | -     | e,dc |       |      | Fan 440 V 60 Hz            |
| 47010                                     | 96014   |         | -     | e,dc |       |      | Motor fan support          |
| 47015                                     | 96519   |         | -     | e,dc |       |      | Heating recovery battery   |
| 47020                                     | 12023   |         | -     | e,dc |       |      | Hose holder                |
| 47025                                     | 96022   |         | -     | e,dc |       |      | Support                    |
| 47030                                     | 96021   |         | -     | e,dc |       |      | Suction support            |
| 47035                                     | 96016   |         | -     | e,dc |       |      | Bottom assembly            |
| 47040                                     | 96019   |         | -     | e,dc |       |      | Supply carter              |
| 47045                                     | 96023   |         | -     | e,dc |       |      | Suction carter             |
| 47050                                     | 96024   |         | -     | e,dc |       |      | Left side                  |
| 47055                                     | 96026   |         | -     | e,dc |       |      | Back side                  |
| 47060                                     | 96025   |         | -     | e,dc |       |      | Cover ( recovery version ) |
| 47065                                     | 96026   |         | -     | e,dc |       |      | Front side                 |
| 47070                                     | 96024   |         | -     | e,dc |       |      | Right side                 |
| 47075                                     | 96519   |         | -     | e,dc |       |      | Heating recovery battery   |

e=ELECTRONICAL SWITCHES, dc=DOUBLE BODY VERSION,

110EU=110EU

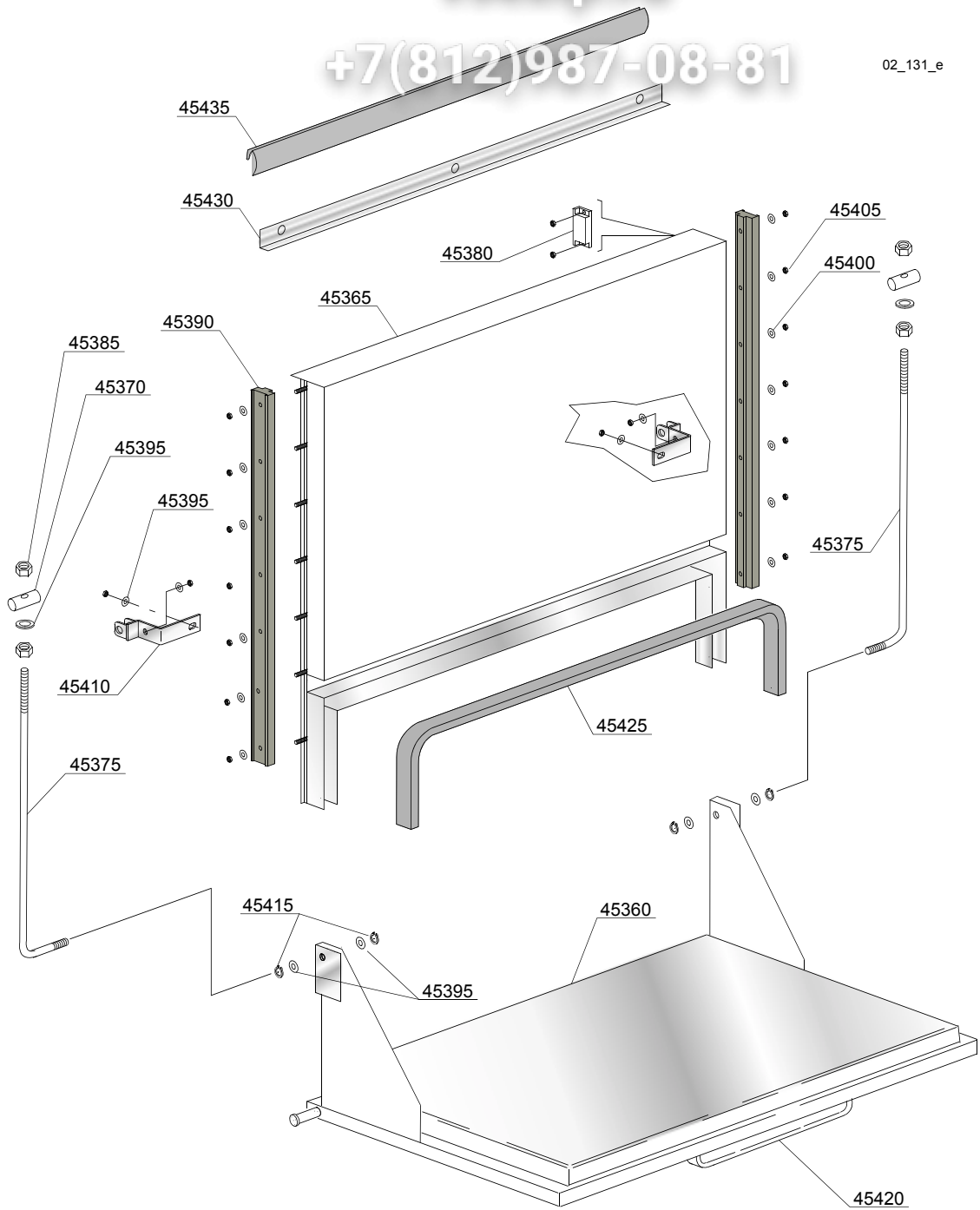
dd=DETERGENT DISPENCER

A=3/N/PE~380-400V 50-60Hz, D=3/PE~200-210V 50-60Hz, F=2/PE~220-240V 50-60Hz, G=3/N/PE~415V 50-60Hz, H=3/PE~220-230V 50-60Hz, K=3/PE~380-400V 50-60Hz, L=3/PE~415V 50-60Hz, M=3/PE~440V 60Hz, P=1/N/PE~220-230V 50-60Hz, R=2/PE~220-240V 50-60Hz, U=1/N/PE~240V 50-60Hz, V=3/PE~240V 50-60Hz, W=1/N/PE~100-110V 50-60Hz

vsezip.ru

+7(812)987-08-81

02\_131\_e



vsezip.ru

| ID                           | P-code  | SN from | SN to | Mod  | Acces | Volt | Description                                     |
|------------------------------|---------|---------|-------|------|-------|------|---|
| <b>Module: Lockup system</b> |         |         |       |      |       |      |   |
| 45360                        | 96000/A |         | -     | e,dc |       |      | Lower door                                      |
| 45365                        | 96000/B |         | -     | e,dc |       |      | Upper door                                      |
| 45370                        | 22219   |         | -     | e,dc |       |      | Door rod pin                                    |
| 45375                        | 22220   |         | -     | e,dc |       |      | Door rod  |
| 45380                        | 80232   |         | -     | e,dc |       |      | Reed magnet                                     |
| 45385                        | 11721   |         | -     | e,dc |       |      | Nut (minnum 10 pieces)                          |
| 45390                        | 96129   |         | -     | e,dc |       |      | Slide for door                                  |
| 45395                        | 11177   |         | -     | e,dc |       |      | Ø6x12 Plain washer (minimum 10 pieces)          |
| 45400                        | 11176   |         | -     | e,dc |       |      | Ø 5 Plain washer (minimum 20 pieces)            |
| 45405                        | 11169   |         | -     | e,dc |       |      | M5 inox-nut (minnum 10 pieces)                  |
| 45410                        | 90916   |         | -     | e,dc |       |      | Door movement support                           |
| 45415                        | 11815   |         | -     | e,dc |       |      | Ø8 stainless steel snap ring (minimum 5 pieces) |
| 45420                        | 80750   |         | -     | e,dc |       |      | Stainless steel handle                          |
| 45425                        | 96134   |         | -     | e,dc |       |      | Door gasket ( mt 1,9 )                          |
| 45430                        | 96015   |         | -     | e,dc |       |      | Support profile packing                         |

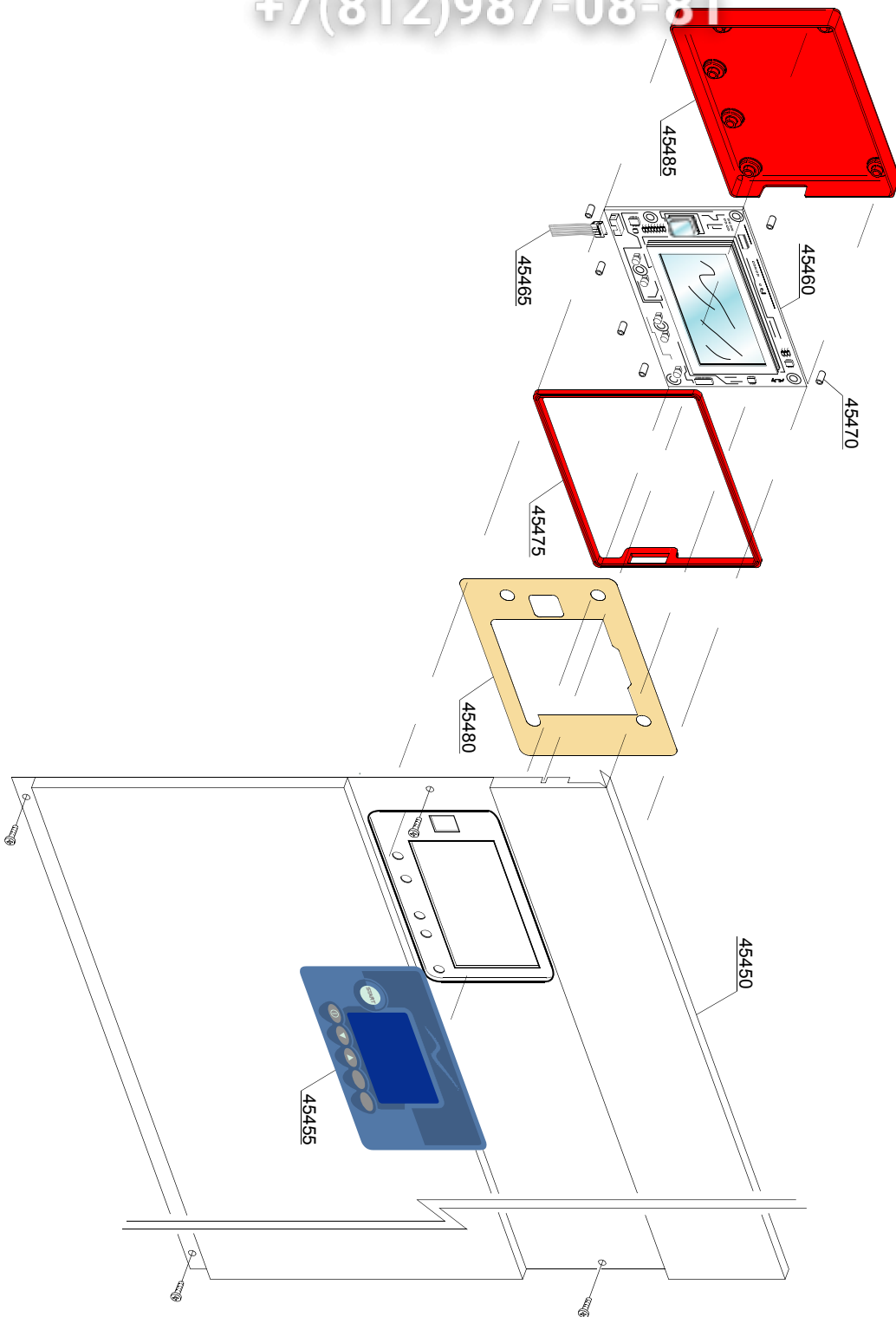
e=ELECTRONICAL SWITCHES, dc=DOUBLE BODY VERSION,

110EU=110EU

dd=DETERGENT DISPENCER

A=3/N/PE~380-400V 50-60Hz, D=3/PE~200-210V 50-60Hz, F=2/PE~220-240V 50-60Hz, G=3/N/PE~415V 50-60Hz, H=3/PE~220-230V 50-60Hz, K=3/PE~380-400V 50-60Hz, L=3/PE~415V 50-60Hz, M=3/PE~440V 60Hz, P=1/N/PE~220-230V 50-60Hz, R=2/PE~220-240V 50-60Hz, U=1/N/PE~240V 50-60Hz, V=3/PE~240V 50-60Hz, W=1/N/PE~100-110V 50-60Hz

03\_064ue



vsezip.ru

| ID                                       | P-code  | SN from | SN to | Mod. | Acces. | Volt | Description   |
|--|---------|---------|-------|------|--------|------|---|
| <b>Module:Control panel and switches</b> |         |         |       |      |        |      |   |
| 45450                                    | 96027   |         | -     | e    |        |      | Control panel   |
| 45455                                    | 96704   |         | -     | e    |        |      | Silkscreen processed grill membrane push button-driver GR/011 (D) |
| 45460                                    | 50650   |         | -     | e    |        |      | Compleat push button-driver                                       |
| 45465                                    | 50651   |         | -     | e    |        |      | Plug  |
| 45470                                    | 50561   |         | -     | e    |        |      | Board spacer  |
| 45475                                    | 50650/B |         | -     | e    |        |      | Gaskets for protective cover                                      |
| 45480                                    | 96716   |         | -     | e    |        |      | Protection for members electrical workes                          |
| 45485                                    | 50650/A |         | -     | e    |        |      | Protective cover for board  |

e=ELECTRONICAL SWITCHES, dc=DOUBLE BODY VERSION,

110EU=110EU

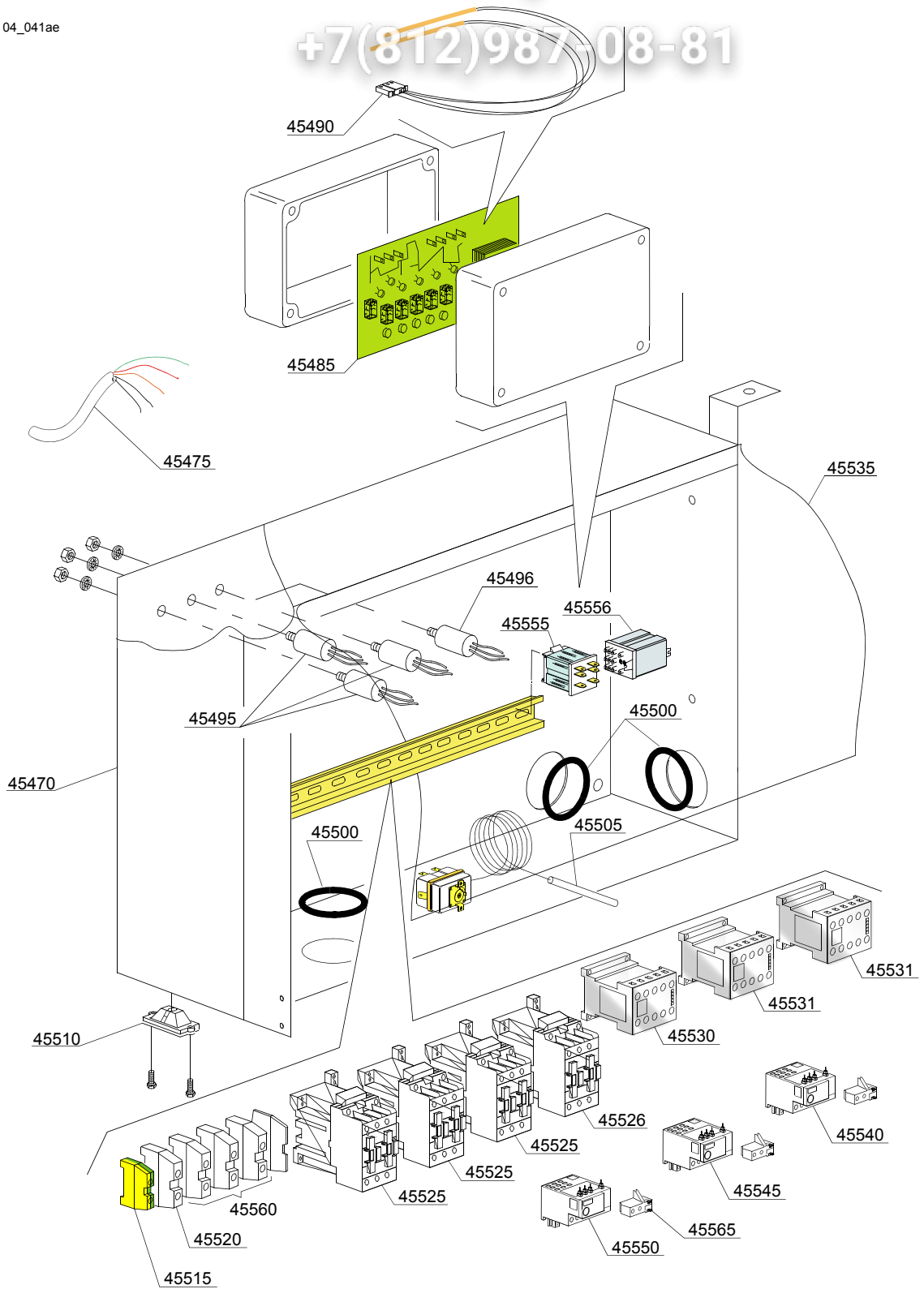
dd=DETERGENT DISPENSER

A=3/N/PE~380-400V 50-60Hz, D=3/PE~200-210V 50-60Hz, F=2/PE~220-240V 50-60Hz, G=3/N/PE~415V 50-60Hz, H=3/PE~220-230V 50-60Hz, K=3/PE~380-400V 50-60Hz, L=3/PE~415V 50-60Hz, M=3/PE~440V 60Hz, P=1/N/PE~220-230V 50-60Hz, R=2/PE~220-240V 50-60Hz, U=1/N/PE~240V 50-60Hz, V=3/PE~240V 50-60Hz, W=1/N/PE~100-110V 50-60Hz

vsezip.ru

+7(812)987-08-81

04\_041ae





| ID   | P-code   | SN from | SN to | Mod. | Acces. | Volt    | Description  |
|--|----------|---------|-------|------|--------|---------|--|
| <b>Module: Electric control components</b> |          |         |       |      |        |         |  |
| 45470                                      | 91001    |         | -     | e    |        |         | Electrical control panell                            |
| 45475                                      | 80200    |         | -     | e    |        | A,G     | Power supply cable 5x4x3400                          |
| 45475                                      | 75359    |         | -     | e    |        | A,G     | Power supply cable anti-flame 4x6x3400               |
| 45485                                      | 96710    |         | -     | e    |        |         | Main board   |
| 45490                                      | 50562    |         | -     | e    |        |         | DIHR ECO-2 Sensor                                    |
| 45495                                      | 15149    |         | -     | e    |        | A,H,K,P | Filter F3 (0,33 mF)                                  |
| 45496                                      | 15187    |         | -     | e    |        | A,H,K,P | Filter F3 440VAC3                                    |
| 45500                                      | 13324    |         | -     | e    |        |         | Lead through rubber Ø46x50                           |
| 45505                                      | 2000430  |         | -     | e    |        |         | 90/110 1500 PVC Safety Thermostat                    |
| 45510                                      | 15065/A  |         | -     | e    |        | A,H,K,P | Cable press with lives                               |
| 45515                                      | 10300401 |         | -     | e    |        |         | 6/8mm <sup>2</sup> yellow/green terminal             |
| 45520                                      | 3006155  |         | -     | e    |        |         | 16mm <sup>2</sup> Neutral blue terminal              |
| 45525                                      | 10300050 |         | -     | e    |        |         | Contactora 25A/12A 4NA 230V                          |
| 45526                                      | 10300052 |         | -     | e    |        |         | 36A/20A contactor - 230V 50/60HZ                     |
| 45530                                      | 10300391 |         | -     | e    |        |         | Contactora 230 V 3NA1NC 50-60HZ                      |
| 45531                                      | 15086    |         | -     | e    |        |         | Contactora 230 V                                     |
| 45535                                      | 11600039 |         | -     | e    |        |         | Transparent protection for members electrical workes |
| 45540                                      | 96711    |         | -     | e    |        |         | 0,85 - 1,3 A GE temperature relay ( 230V 3 )         |
| 45540                                      | 96712    |         | -     | e    |        |         | 0,26 - 0,43 A GE temperature relay                   |
| 45545                                      | 96711    |         | -     | e    |        |         | 0,85 - 1,3 A GE temperature relay                    |
| 45550                                      | 96713    |         | -     | e    |        |         | 7,5 -10,5 A GE temperature relay                     |
| 45550                                      | 96714    |         | -     | e    |        |         | 10 -16 A GE temperature relay ( 230V 3 )             |
| 45555                                      | 16037    |         | -     | e    |        |         | 16A bipolar relay 230V 50/60Hz                       |
| 45556                                      | 560301   |         | -     | e    |        |         | Relay 230V 50/60Hz                                   |
| 45560                                      | 3006082  |         | -     | e    |        |         | 16mm <sup>2</sup> SL-16 terminal                     |
| 45565                                      | 96715    |         | -     | e    |        |         | Contact AUX 1 NO                                     |

e=ELECTRONICAL SWITCHES, dc=DOUBLE BODY VERSION,

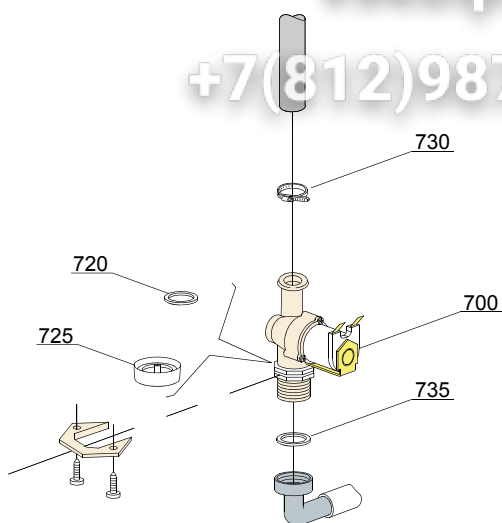
110EU=110EU

dd=DETERGENT DISPENSER

A=3/N/PE~380-400V 50-60Hz, D=3/PE~200-210V 50-60Hz, F=2/PE~220-240V 50-60Hz, G=3/N/PE~415V 50-60Hz, H=3/PE~220-230V 50-60Hz, K=3/PE~380-400V 50-60Hz, L=3/PE~415V 50-60Hz, M=3/PE~440V 60Hz, P=1/N/PE~220-230V 50-60Hz, R=2/PE~220-240V 50-60Hz, U=1/N/PE~240V 50-60Hz, V=3/PE~240V 50-60Hz, W=1/N/PE~100-110V 50-60Hz

vsezip.ru

+7(812)987-08-81



05\_002\_e

| ID                                 | P-code | SN from | SN to | Mod  | Acces. | Volt | Description                    |
|------------------------------------|--------|---------|-------|------|--------|------|--------------------------------|
| <b>Module:Solenoid valve group</b> |        |         |       |      |        |      |                                |
| 700                                | 10703  |         | -     | e,dc |        |      | Single solenoid valve - 230Vac |
| 730                                | 11807  |         | -     | e,dc |        |      | 12/22 clamp (minimum 3 pieces) |
| 735                                | 13307  |         | -     | e,dc |        |      | 3/4 gasket                     |

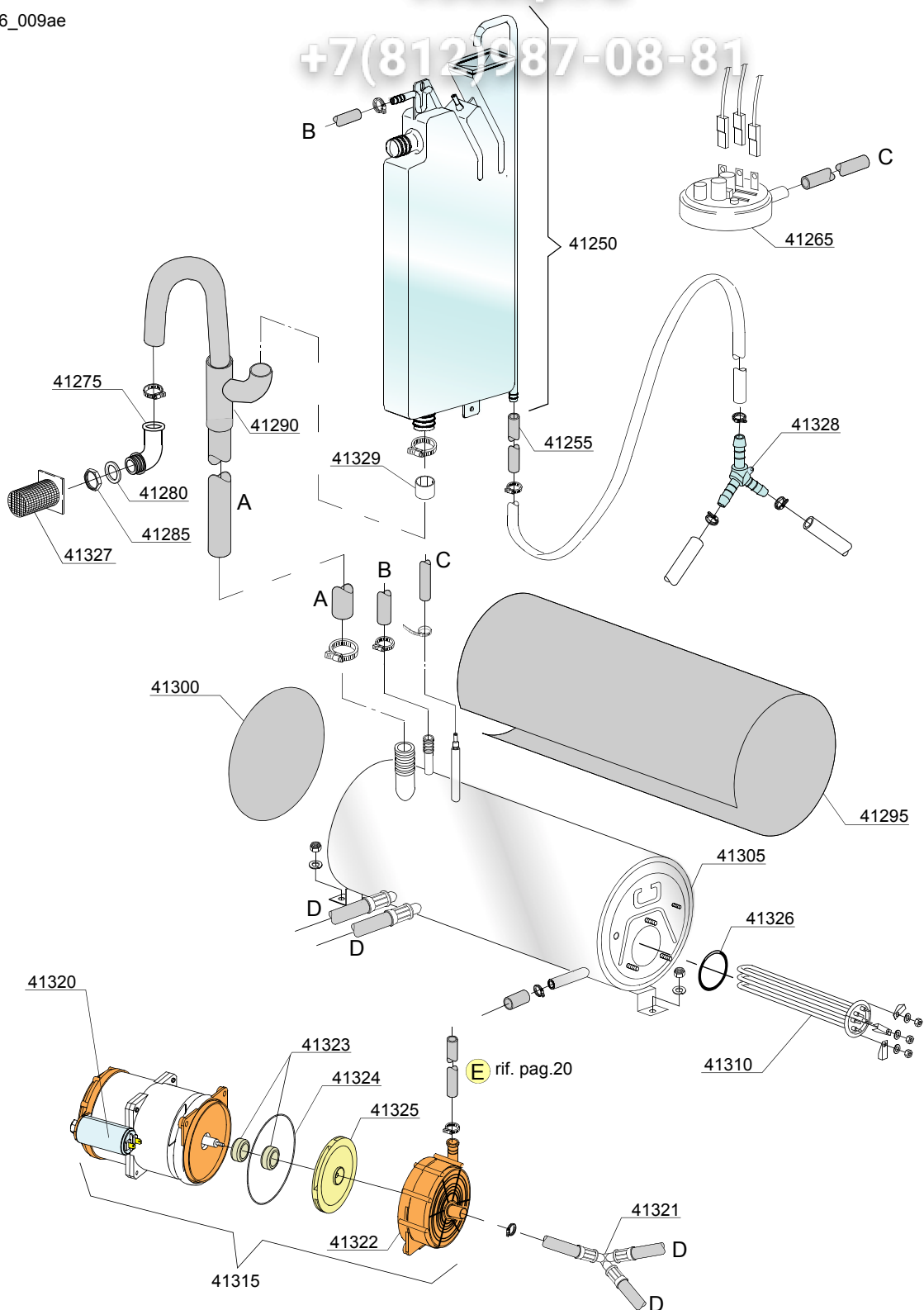
e=ELECTRONICAL SWITCHES, dc=DOUBLE BODY VERSION,

110EU=110EU

dd=DETERGENT DISPENSER

A=3/N/PE~380-400V 50-60Hz, D=3/PE~200-210V 50-60Hz, F=2/PE~220-240V 50-60Hz, G=3/N/PE~415V 50-60Hz, H=3/PE~220-230V 50-60Hz, K=3/PE~380-400V 50-60Hz, L=3/PE~415V 50-60Hz, M=3/PE~440V 60Hz, P=1/N/PE~220-230V 50-60Hz, R=2/PE~220-240V 50-60Hz, U=1/N/PE~240V 50-60Hz, V=3/PE~240V 50-60Hz, W=1/N/PE~100-110V 50-60Hz

06\_009ae



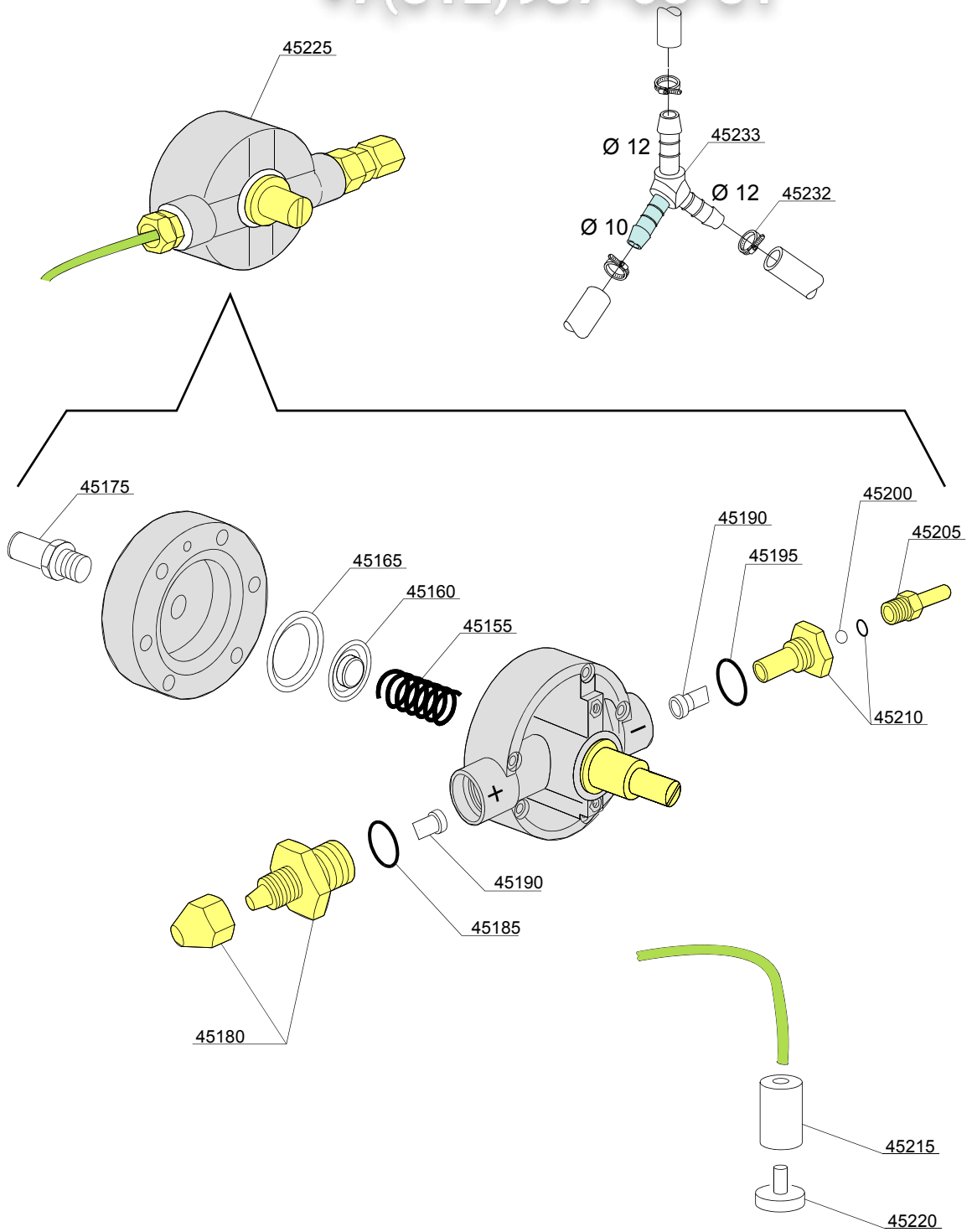
| ID   | P-code   | SN from | SN to | Mod. | Acces. | Volt | Description                               |
|--|----------|---------|-------|------|--------|------|---|
| <b>Module: Rinse with steady temperature</b> |          |         |       |      |        |      |   |
| 41250  | 15720    |         | -     | e,dc |        |      | 3,5 lt break tank assembly                |
| 41255  | 2907352  |         | -     | e,dc |        |      | PVC WRAS rubber hose                      |
| 41265  | 10706/A  |         | -     | e,dc |        |      | 47-27 pressure switch                     |
| 41275  | 10701    |         | -     | e,dc |        |      | Drain elbow                               |
| 41280  | 13305    |         | -     | e,dc |        |      | 44x32x3 O-ring (minimum 5 pieces)         |
| 41285  | 11701/A  |         | -     | e,dc |        |      | Stainless steel nut                       |
| 41290  | 91112    |         | -     | e,dc |        |      | Muff of emergency                         |
| 41295  | 91116    |         | -     | e,dc |        |      | Insulation boiler 600x680                 |
| 41300  | 91115    |         | -     | e,dc |        |      | Ø190x3 end piece                          |
| 41305  | 91104    |         | -     | e,dc |        |      | Atmospheric Boiler AISI-316               |
| 41310  | 30001011 |         | -     | e,dc |        |      | Element 9,0 kW 230/240 VaC 3              |
| 41315  | 15100/DO |         | -     | e,dc |        |      | Rinsing pump / booster pump 220/240V      |
| 41320  | 10702    |         | -     | e,dc |        |      | 5 uF condenser                            |
| 41321  | 91111    |         | -     | e,dc |        |      | Ø12 mm plastic 3 ways connection          |
| 41322  | 15100/V  |         | -     | e,dc |        |      | Scroll                                    |
| 41323  | 15100/S  |         | -     | e,dc |        |      | Rotating seals                            |
| 41324  | 15100/T  |         | -     | e,dc |        |      | OR O-ring                                 |
| 41325  | 15100/U  |         | -     | e,dc |        |      | Pump rotor                                |
| 41326  | 13015    |         | -     | e,dc |        |      | O-ring 6225 OR 160 NBR                    |
| 41327  | 10914    |         | -     | e,dc |        |      | Filter nox                                |
| 41328  | 540091   |         | -     | e,dc |        |      | Ø12 mm plastic 3 ways connection          |
| 41329  | 12533    |         | -     | e,dc |        |      | Reinforce for pipe in exit ( break rank ) |

e=ELECTRONICAL SWITCHES, dc=DOUBLE BODY VERSION,

110EU=110EU

dd=DETERGENT DISPENCER

A=3/N/PE~380-400V 50-60Hz, D=3/PE~200-210V 50-60Hz, F=2/PE~220-240V 50-60Hz, G=3/N/PE~415V 50-60Hz, H=3/PE~220-230V 50-60Hz, K=3/PE~380-400V 50-60Hz, L=3/PE~415V 50-60Hz, M=3/PE~440V 60Hz, P=1/N/PE~220-230V 50-60Hz, R=2/PE~220-240V 50-60Hz, U=1/N/PE~240V 50-60Hz, V=3/PE~240V 50-60Hz, W=1/N/PE~100-110V 50-60Hz



| ID                                       | P-code  | SN from | SN to | Mod. | Acces. | Volt | Description                            |
|--|---------|---------|-------|------|--------|------|--|
| <b>Module: Rinse aid dispenser group</b> |         |         |       |      |        |      |  |
| 45155                                    | 10705/M |         | -     | e,dc |        |      | Spring                                 |
| 45160                                    | 10705/N |         | -     | e,dc |        |      | Disc to membrane                       |
| 45165                                    | 10750/O |         | -     | e,dc |        |      | Membrane                               |
| 45175                                    | 12506   |         | -     | e,dc |        |      | Rubber-holder Ø 10mm                   |
| 45180                                    | 10705/G |         | -     | e,dc |        |      | Pipe fitting                           |
| 45185                                    | 10705/C |         | -     | e,dc |        |      | OR-gasket                              |
| 45190                                    | 10705/D |         | -     | e,dc |        |      | Silicone valve                         |
| 45195                                    | 10705/C |         | -     | e,dc |        |      | OR-gasket                              |
| 45200                                    | 10705/T |         | -     | e,dc |        |      | Sphere made of Teflon                  |
| 45205                                    | 10705/R |         | -     | e,dc |        |      | Brass pipe fitting                     |
| 45210                                    | 10705/E |         | -     | e,dc |        |      | OR-gasket Guide valve                  |
| 45215                                    | 12525   |         | -     | e,dc |        |      | Ballast                                |
| 45220                                    | 15058   |         | -     | e,dc |        |      | Small filter (minimum 3 pieces)        |
| 45225                                    | 10799/G |         | -     | e,dc |        |      | GERMAC rinse aid dispenser             |
| 45232                                    | 11807   |         | -     | e,dc |        |      | Clamp 12-22 (minimum 3 pieces)         |
| 45233                                    | 540105  |         | -     | e,dc |        |      | Ø12-10-12 mm plastic 3 ways connection |

e=ELECTRONICAL SWITCHES, dc=DOUBLE BODY VERSION,

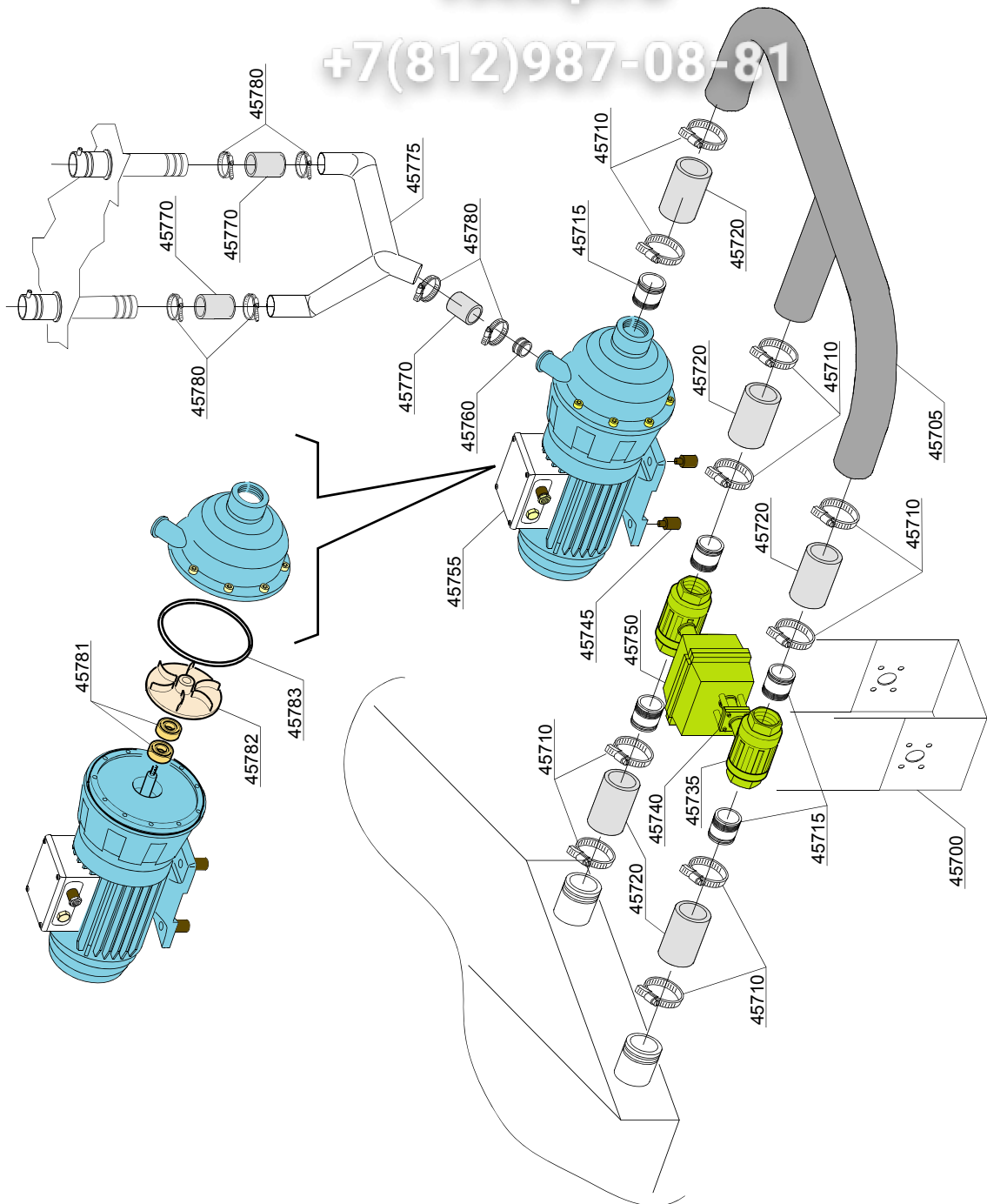
110EU=110EU

dd=DETERGENT DISPENSER

A=3/N/PE~380-400V 50-60Hz, D=3/PE~200-210V 50-60Hz, F=2/PE~220-240V 50-60Hz, G=3/N/PE~415V 50-60Hz, H=3/PE~220-230V 50-60Hz, K=3/PE~380-400V 50-60Hz, L=3/PE~415V 50-60Hz, M=3/PE~440V 60Hz, P=1/N/PE~220-230V 50-60Hz, R=2/PE~220-240V 50-60Hz, U=1/N/PE~240V 50-60Hz, V=3/PE~240V 50-60Hz, W=1/N/PE~100-110V 50-60Hz

vsezip.ru

+7(812)987-08-81





| ID                       | P-code  | SN from | SN to | Mod | Acces. | Volt | Description                                |
|--------------------------|---------|---------|-------|-----|--------|------|--|
| <b>Module: Wash pump</b> |         |         |       |     |        |      |  |
| 45700                    | 96013   |         | -     | uw  |        |      | Group valves support                       |
| 45705                    | 96111   |         | -     | uw  |        |      | Aspiration collector                       |
| 45710                    | 2902491 |         | -     | uw  |        |      | 60/80 clamp AISI-430 ( minimum 2 pieces )  |
| 45715                    | 96107   |         | -     | uw  |        |      | Stainless steel pipe 1"1/2                 |
| 45720                    | 96131   |         | -     | uw  |        |      | York pipe Ø 60x100                         |
| 45735                    | 96108   |         | -     | uw  |        |      | "UNIVERSAL" 2 ways stainless steel valve   |
| 45740                    | 96110   |         | -     | uw  |        |      | Valve connection clamp                     |
| 45745                    | 96112   |         | -     | uw  |        |      | Anti-vibration M-F Ø 50 H=30               |
| 45750                    | 96109   |         | -     | uw  |        |      | 2 points servo control assist + relay 50Hz |
| 45750                    | 96109/A |         | -     | uw  |        |      | 2 points servo control assist + relay 60Hz |
| 45755                    | 96113   |         | -     | uw  |        |      | Pump 3-kW 230/240 V 50Hz                   |
| 45755                    | 96113/A |         | -     | uw  |        |      | Pump 3-kW 230/400 V 60Hz                   |
| 45755                    | 96113/B |         | -     | uw  |        |      | Pump 3-kW 440 V 60Hz                       |
| 45760                    | 96106   |         | -     | uw  |        |      | Stainless steel pipe 1"1/2                 |
| 45770                    | 96130   |         | -     | uw  |        |      | York pipe Ø 50x100                         |
| 45775                    | 96114   |         | -     | uw  |        |      | Stainless steel supply pipe                |
| 45780                    | 11824   |         | -     | uw  |        |      | 50/70 clamp AISI-430 (minimum 2 pieces)    |
| 45781                    | 96113/G |         | -     | uw  |        |      | Pump rotor                                 |
| 45782                    | 96113/T |         | -     | uw  |        |      | Rotating seals                             |
| 45783                    | 96113/O |         | -     | uw  |        |      | O-ring                                     |

e=ELECTRONICAL SWITCHES, dc=DOUBLE BODY VERSION,

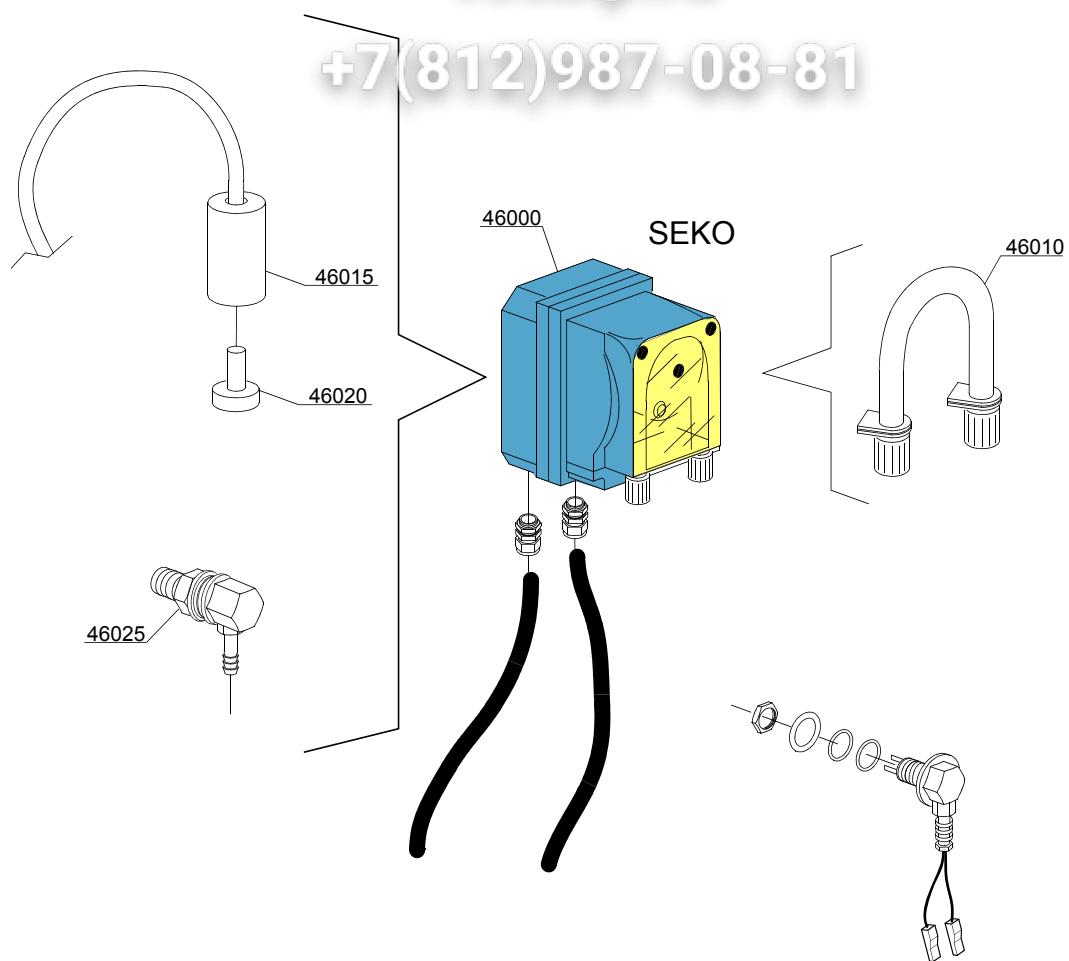
110EU=110EU

dd=DETERGENT DISPENSER

A=3/N/PE~380-400V 50-60Hz, D=3/PE~200-210V 50-60Hz, F=2/PE~220-240V 50-60Hz, G=3/N/PE~415V 50-60Hz, H=3/PE~220-230V 50-60Hz, K=3/PE~380-400V 50-60Hz, L=3/PE~415V 50-60Hz, M=3/PE~440V 60Hz, P=1/N/PE~220-230V 50-60Hz, R=2/PE~220-240V 50-60Hz, U=1/N/PE~240V 50-60Hz, V=3/PE~240V 50-60Hz, W=1/N/PE~100-110V 50-60Hz

vsezip.ru

+7(812)987-08-81



14\_004ae

vsezip.ru

| ID                                   | P-code  | SN from | SN to | Mod | Acces. | Volt | Description                       |
|--------------------------------------|---------|---------|-------|-----|--------|------|-----------------------------------|
| <b>Module:Dosing detergent group</b> |         |         |       |     |        |      |                                   |
| 46000                                | 15985/S |         | -     |     | dd     |      | Seko detergent pump               |
| 46010                                | 15185   |         | -     |     | dd     |      | Ø 10 Seko thermoplastic pipe      |
| 46015                                | 12525   |         | -     |     | dd     |      | Counter-weight                    |
| 46020                                | 15058   |         | -     |     | dd     |      | Suction filter (minimum 3 pieces) |
| 46025                                | 15123   |         | -     |     | dd     |      | Steel injector                    |

e=ELECTRONICAL SWITCHES, dc=DOUBLE BODY VERSION,

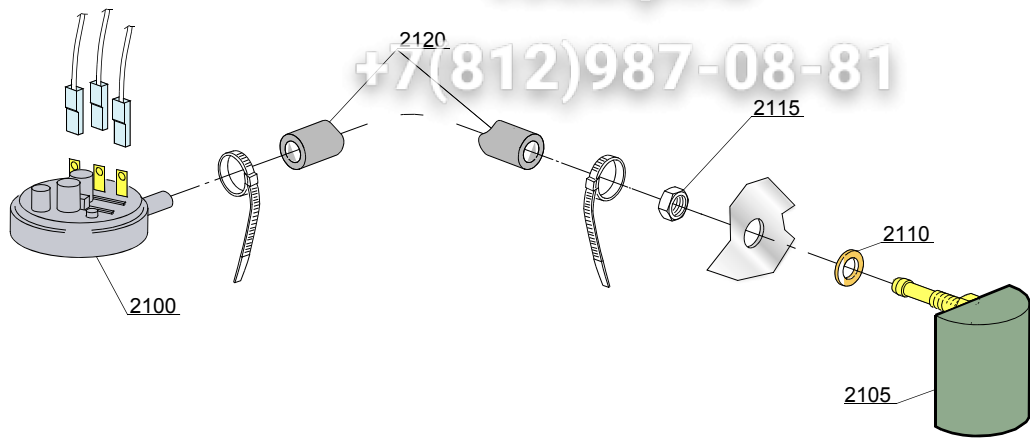
110EU=110EU

dd=DETERGENT DISPENCER

A=3/N/PE~380-400V 50-60Hz, D=3/PE~200-210V 50-60Hz, F=2/PE~220-240V 50-60Hz, G=3/N/PE~415V 50-60Hz, H=3/PE~220-230V 50-60Hz, K=3/PE~380-400V 50-60Hz, L=3/PE~415V 50-60Hz, M=3/PE~440V 60Hz, P=1/N/PE~220-230V 50-60Hz, R=2/PE~220-240V 50-60Hz, U=1/N/PE~240V 50-60Hz, V=3/PE~240V 50-60Hz, W=1/N/PE~100-110V 50-60Hz

vsezip.ru

+7(812)987-08-81



16\_001\_e

vsezip.ru

| ID   | P-code | SN from | SN to | Mod | Acces | Volt | Description                         |
|--|--------|---------|-------|-----|-------|------|-------------------------------------|
| <b>Module: Pressure switch group with air trap</b> |        |         |       |     |       |      |                                     |
| 2105   | 135911 |         | -     | dc  |       |      | Air trap                            |
| 2110   | 13301  |         | -     | dc  |       |      | Gasket 14x8x1,5 (minimum 10 pieces) |
| 2115   | 11702  |         | -     | dc  |       |      | Nut M8 (minimum 10 pieces)          |
| 2116   | 14508  |         | -     | dc  |       |      | Pressure tube EPDM 4,5x9            |

e=ELECTRONICAL SWITCHES, dc=DOUBLE BODY VERSION,

110EU=110EU

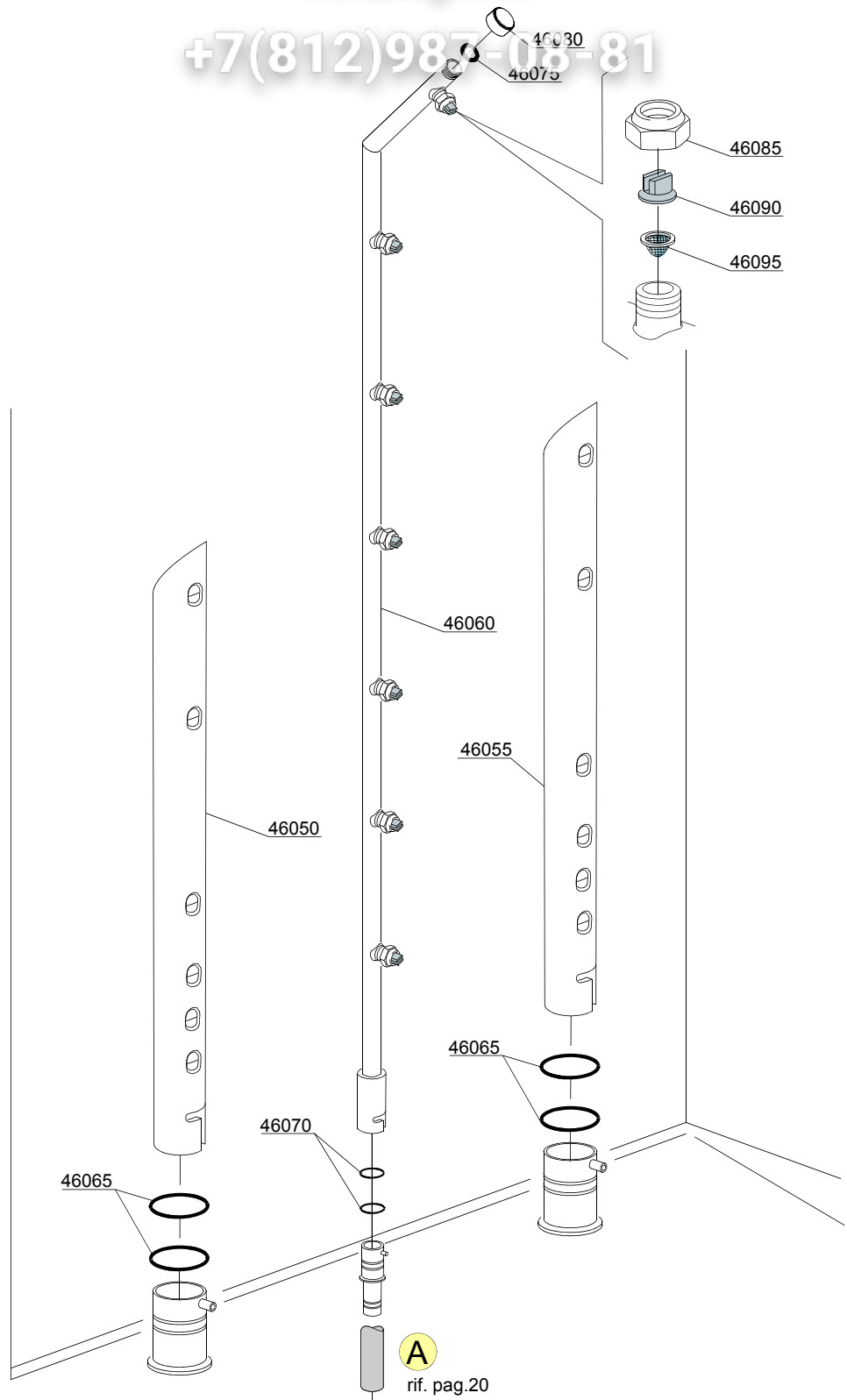
dd=DETERGENT DISPENSER

A=3/N/PE~380-400V 50-60Hz, D=3/PE~200-210V 50-60Hz, F=2/PE~220-240V 50-60Hz, G=3/N/PE~415V 50-60Hz, H=3/PE~220-230V 50-60Hz, K=3/PE~380-400V 50-60Hz, L=3/PE~415V 50-60Hz, M=3/PE~440V 60Hz, P=1/N/PE~220-230V 50-60Hz, R=2/PE~220-240V 50-60Hz, U=1/N/PE~240V 50-60Hz, V=3/PE~240V 50-60Hz, W=1/N/PE~100-110V 50-60Hz

vsezip.ru

+7(812)987-08-81

17\_138\_e



vsezip.ru

| ID                                  | P-code  | SN from | SN to | Mod | Acces. | Volt | Description                       |
|-------------------------------------|---------|---------|-------|-----|--------|------|-----------------------------------|
| <b>Module: Wash and rinse group</b> |         |         |       |     |        |      |                                   |
| 46050                               | 96116   |         | -     | uw  |        |      | Wash arm Type "A"                 |
| 46055                               | 96117   |         | -     | uw  |        |      | Wash arm Type "B"                 |
| 46060                               | 96118   |         | -     | uw  |        |      | Rinse arm                         |
| 46065                               | 96115   |         | -     | uw  |        |      | OR gasket 3206 NBR 70             |
| 46070                               | 13025   |         | -     | uw  |        |      | OR gasket 2081                    |
| 46075                               | 2002051 |         | -     | uw  |        |      | OR gasket EPDM Ø17x1,5            |
| 46080                               | 2002054 |         | -     | uw  |        |      | Inox plug M18x1 ( Ø 26x9 )        |
| 46085                               | 2200116 |         | -     | uw  |        |      | Stainless steel nut 3/8 F         |
| 46090                               | 2200115 |         | -     | uw  |        |      | Stainless steel rinse nozzle I-C1 |
| 46095                               | 2200117 |         | -     | uw  |        |      | Stainless steel rinse inox filtre |

e=ELECTRONICAL SWITCHES, dc=DOUBLE BODY VERSION,

110EU=110EU

dd=DETERGENT DISPENSER

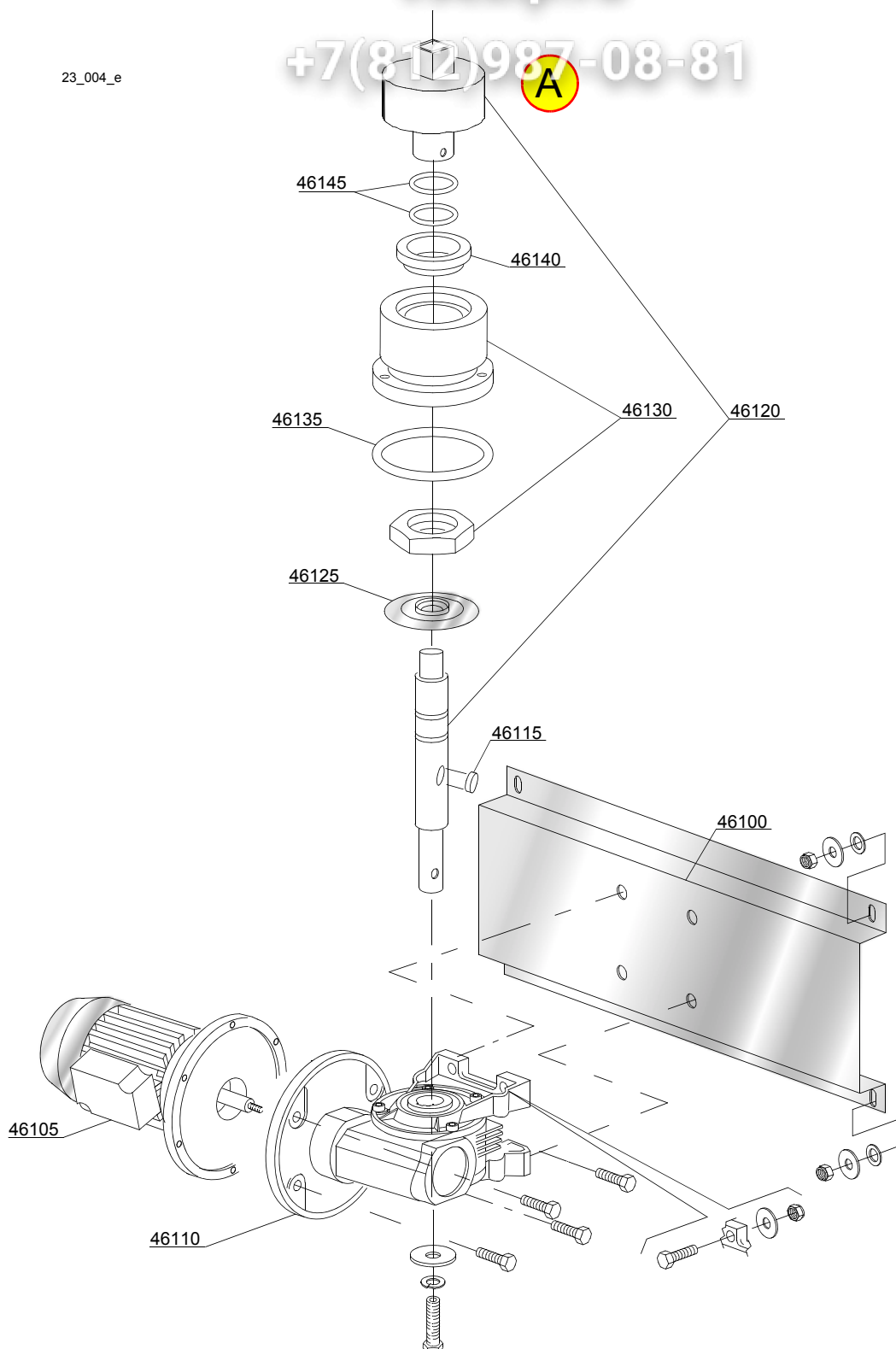
A=3/N/PE~380-400V 50-60Hz, D=3/PE~200-210V 50-60Hz, F=2/PE~220-240V 50-60Hz, G=3/N/PE~415V 50-60Hz, H=3/PE~220-230V 50-60Hz, K=3/PE~380-400V 50-60Hz, L=3/PE~415V 50-60Hz, M=3/PE~440V 60Hz, P=1/N/PE~220-230V 50-60Hz, R=2/PE~220-240V 50-60Hz, U=1/N/PE~240V 50-60Hz, V=3/PE~240V 50-60Hz, W=1/N/PE~100-110V 50-60Hz

vsezip.ru

+7(812)987-08-81



23\_004\_e





| ID                                 | P-code  | SN from | SN to | Mod. | Acces. | Volt | Description                                    |
|------------------------------------|---------|---------|-------|------|--------|------|--|
| <b>Module:Motorgear components</b> |         |         |       |      |        |      |  |
| 46100                              | 96010   |         | -     | uw   |        |      | Motorgear support                              |
| 46105                              | 96128   |         | -     | uw   |        |      | Conveyor motor - 12P 230 / 240 V 50 Hz 80W     |
| 46105                              | 96128/A |         | -     | uw   |        |      | Conveyor motor - 12P 440 V 60 Hz 80W           |
| 46110                              | 3000211 |         | -     | uw   |        |      | Gear left 1:80                                 |
| 46115                              | 2001046 |         | -     | uw   |        |      | Inox key 8x7x30                                |
| 46120                              | 96122   |         | -     | uw   |        |      | Crank shaft                                    |
| 46125                              | 3004161 |         | -     | uw   |        |      | Protection disk                                |
| 46130                              | 3004132 |         | -     | uw   |        |      | Coupling part serie                            |
| 46135                              | 13015   |         | -     | uw   |        |      | O-ring 6225 NBR-160                            |
| 46140                              | 13024   |         | -     | uw   |        |      | Oil splash guard DEM 40 TC 30x42x7 with spring |
| 46145                              | 13023   |         | -     | uw   |        |      | O-ring 131 ( 4093 )                            |

e=ELECTRONICAL SWITCHES, dc=DOUBLE BODY VERSION,

110EU=110EU

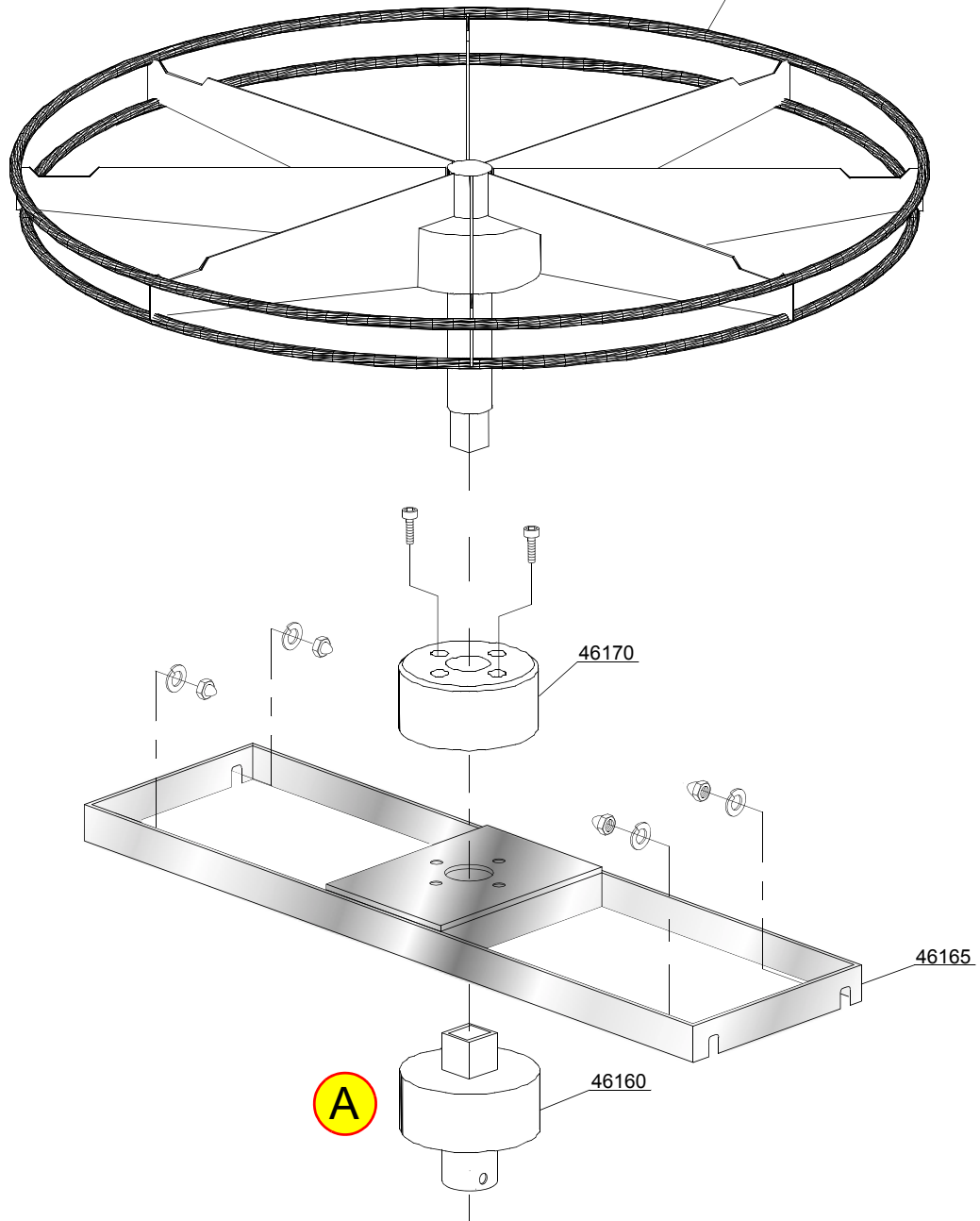
dd=DETERGENT DISPENCER

A=3/N/PE~380-400V 50-60Hz, D=3/PE~200-210V 50-60Hz, F=2/PE~220-240V 50-60Hz, G=3/N/PE~415V 50-60Hz, H=3/PE~220-230V 50-60Hz, K=3/PE~380-400V 50-60Hz, L=3/PE~415V 50-60Hz, M=3/PE~440V 60Hz, P=1/N/PE~220-230V 50-60Hz, R=2/PE~220-240V 50-60Hz, U=1/N/PE~240V 50-60Hz, V=3/PE~240V 50-60Hz, W=1/N/PE~100-110V 50-60Hz

vsezip.ru

+7(812)987-08-81

23\_004ae



vsezip.ru

| ID                                    | P-code | SN from | SN to | Mod. | Acces. | Volt | Description            |
|---------------------------------------|--------|---------|-------|------|--------|------|------------------------|
| <b>Module: Basket rotating system</b> |        |         |       |      |        |      |                        |
| 46160                                 | 96122  |         | -     | uw   |        |      | Basket axis            |
| 46165                                 | 96011  |         | -     | uw   |        |      | Basket support chassis |
| 46170                                 | 96123  |         | -     | uw   |        |      | Coupling part serie    |
| 46175                                 | 96012  |         | -     | uw   |        |      | Basket support         |

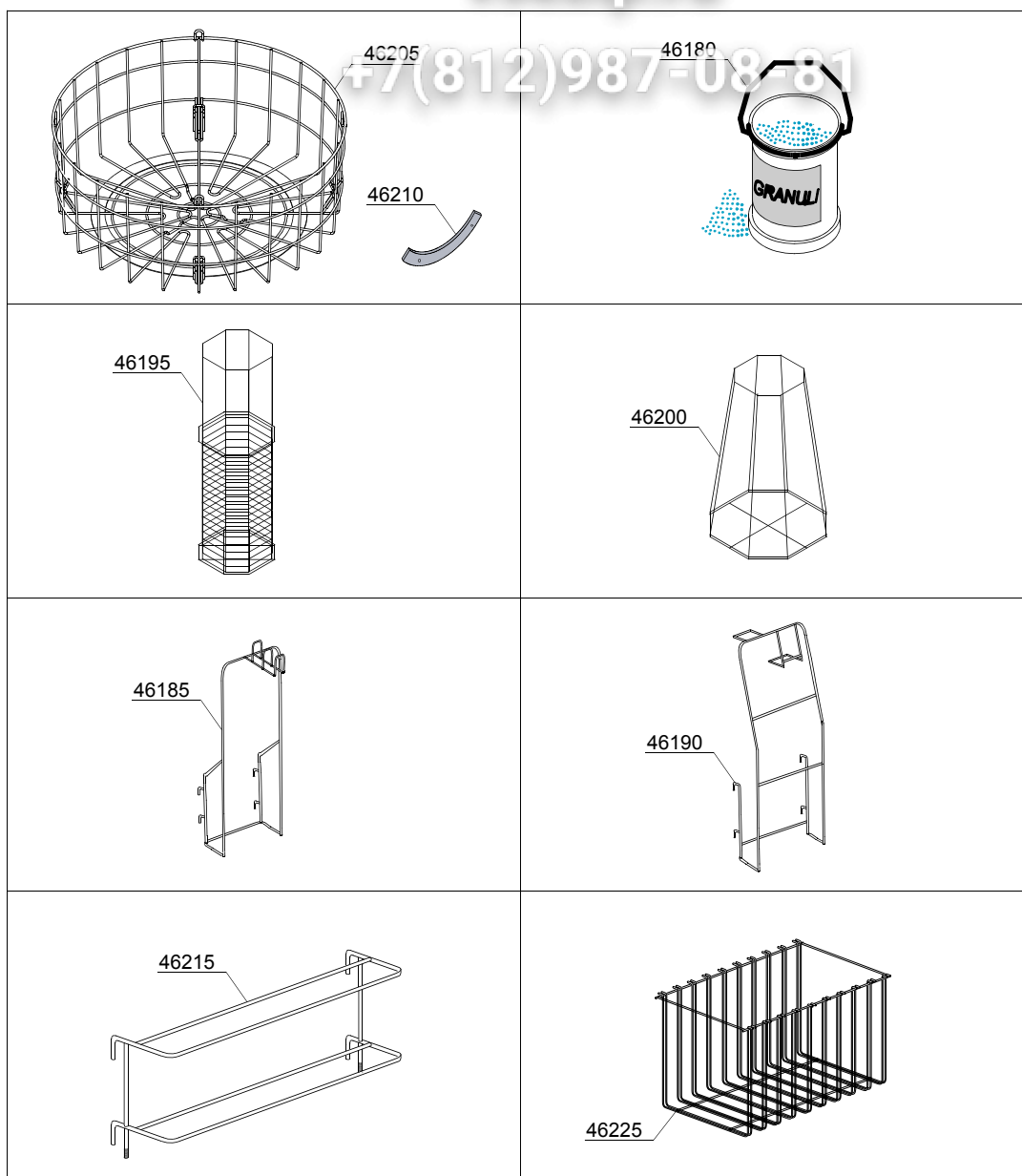
e=ELECTRONICAL SWITCHES, dc=DOUBLE BODY VERSION,

110EU=110EU

dd=DETERGENT DISPENSER

A=3/N/PE~380-400V 50-60Hz, D=3/PE~200-210V 50-60Hz, F=2/PE~220-240V 50-60Hz, G=3/N/PE~415V 50-60Hz, H=3/PE~220-230V 50-60Hz, K=3/PE~380-400V 50-60Hz, L=3/PE~415V 50-60Hz, M=3/PE~440V 60Hz, P=1/N/PE~220-230V 50-60Hz, R=2/PE~220-240V 50-60Hz, U=1/N/PE~240V 50-60Hz, V=3/PE~240V 50-60Hz, W=1/N/PE~100-110V 50-60Hz

vsezip.ru



00\_005xe

| ID                       | P-code | SN from | SN to | Mod | Acces | Volt | Description                             |
|--------------------------|--------|---------|-------|-----|-------|------|---|
| <b>Module: Accessory</b> |        |         |       |     |       |      |   |
| 46180                    | 96100  |         | -     | uw  |       |      | Granules bucket ( 10 kg version )       |
| 46185                    | 96105  |         | -     | uw  |       |      | Holder for big pots                     |
| 46190                    | 96104  |         | -     | uw  |       |      | Holder for small pots and frying pans   |
| 46195                    | 96103  |         | -     | uw  |       |      | Spatulas basket                         |
| 46200                    | 96102  |         | -     | uw  |       |      | Spatulas basket support and pots holder |
| 46205                    | 96101  |         | -     | uw  |       |      | Basket Ø 730mm H=240mm                  |
| 46210                    | 96125  |         | -     | uw  |       |      | Basket skate ( 1/6 )                    |
| 46215                    | 96136  |         |       | uw  |       |      | 600x400x400 Trays stand                 |
| 46220                    | 96602  |         |       | uw  |       |      | Support column                          |
| 46225                    | 96135  |         |       | uw  |       |      | Stand for trays                         |

e=ELECTRONICAL SWITCHES, dc=DOUBLE BODY VERSION,

110EU=110EU

dd=DETERGENT DISPENCER

A=3/N/PE~380-400V 50-60Hz, D=3/PE~200-210V 50-60Hz, F=2/PE~220-240V 50-60Hz, G=3/N/PE~415V 50-60Hz, H=3/PE~220-230V 50-60Hz, K=3/PE~380-400V 50-60Hz, L=3/PE~415V 50-60Hz, M=3/PE~440V 60Hz, P=1/N/PE~220-230V 50-60Hz, R=2/PE~220-240V 50-60Hz, U=1/N/PE~240V 50-60Hz, V=3/PE~240V 50-60Hz, W=1/N/PE~100-110V 50-60Hz