
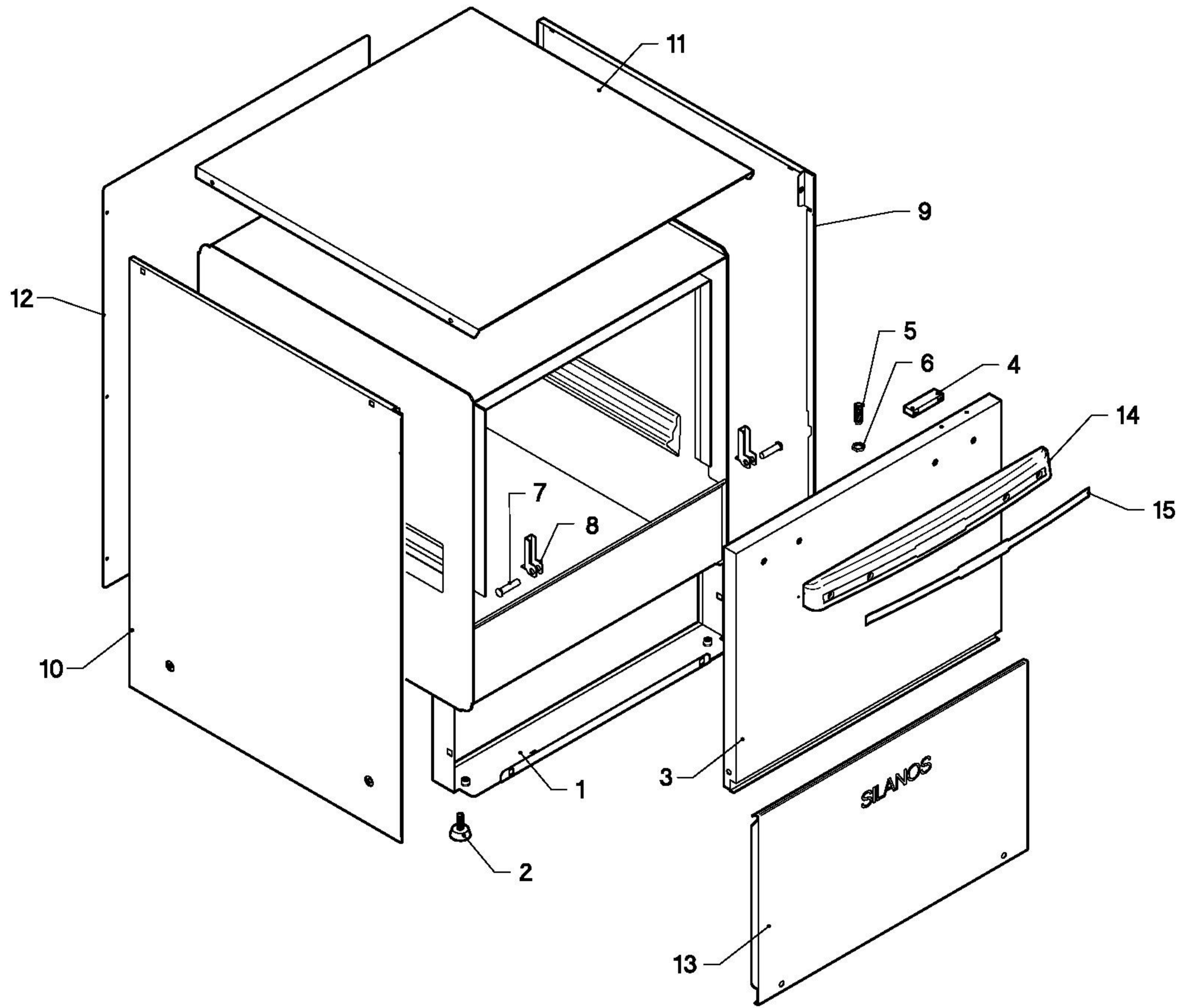


I	LAVASTOVIGLIE INDUSTRIALI
F	LAVE-VAISSELLE INDUSTRIELS
GB	INDUSTRIAL DISHWASHER
D	INDUSTRIEGESCHIRRSPÜLER
ES	LAVAVAJILLAS INDUSTRIALES

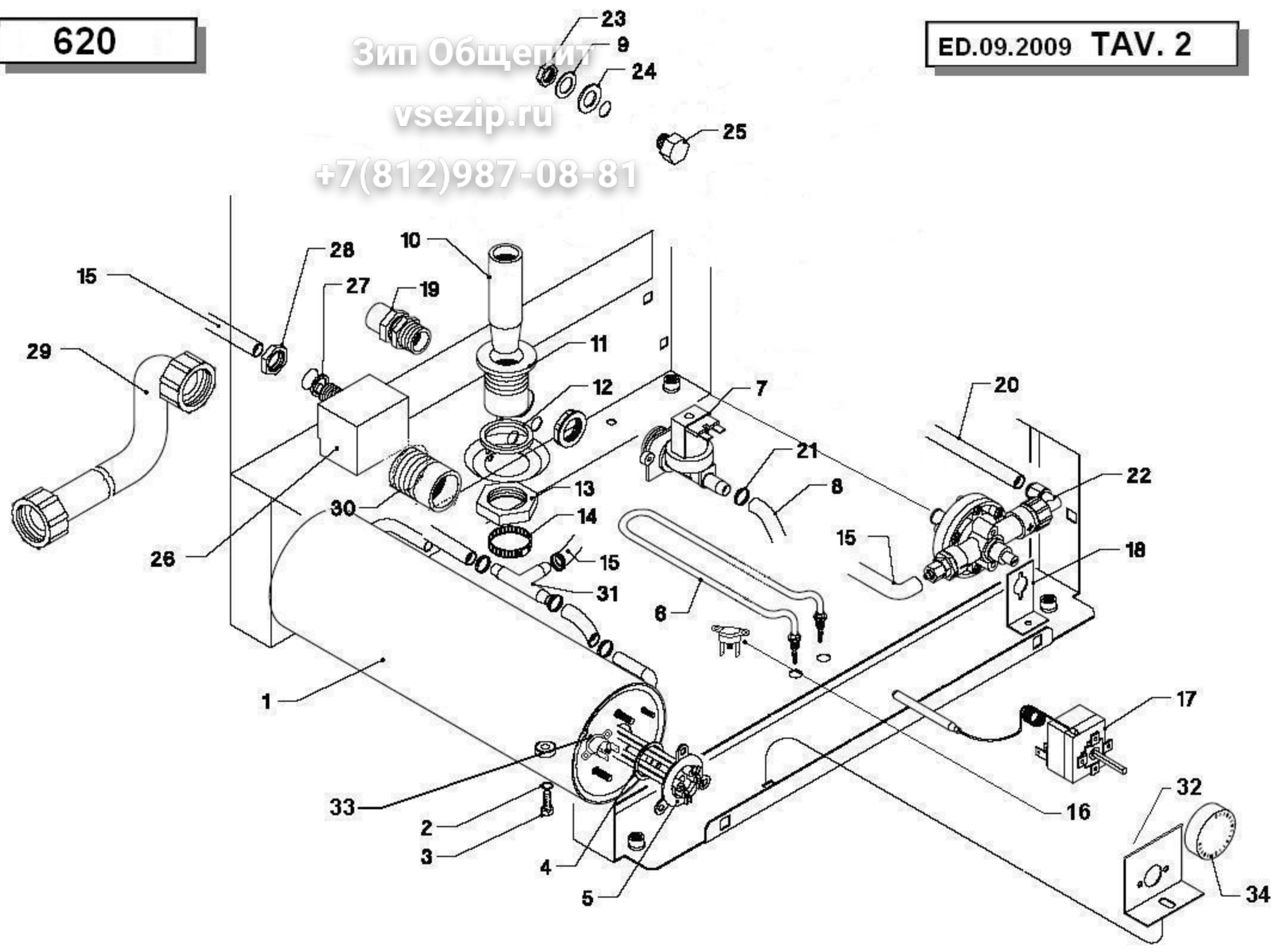


620

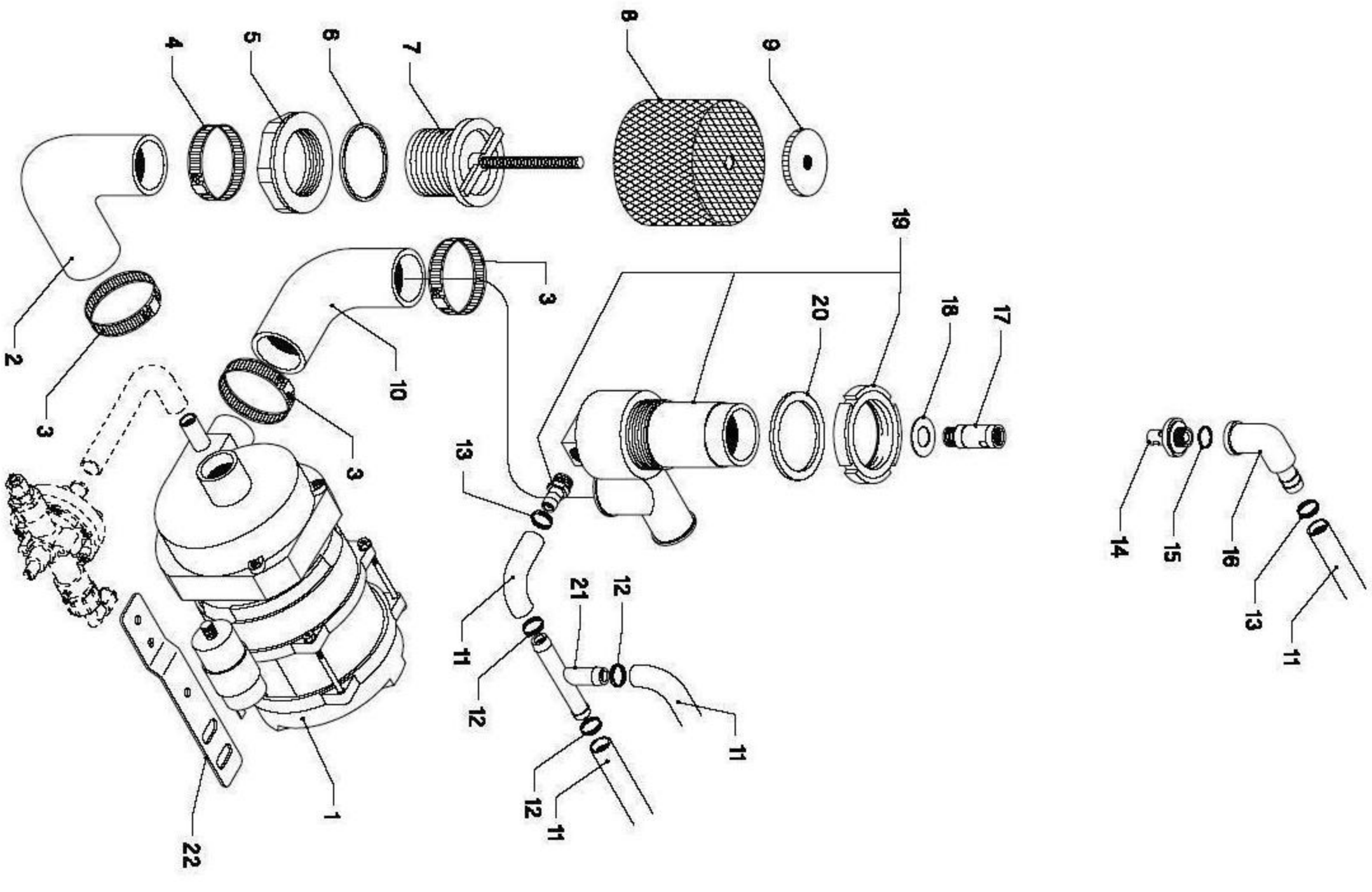
 SILANOS [®] LAVASTOVIGLIE INDUSTRIALI	MANUALE PARTI DI RICAMBIO	
	CATALOGUES PIÉCES DETACHEES	
	SPARE PARTS MANUAL	
	ERSATZTEILEKATALOG	
ED.09-2009	Cod. 200229	MANUAL PARTES DE REPUESTOS



<i>Pos.</i>	<i>COD.</i>	<i>Q.tà</i>	<i>DESCRIZIONE</i>	<i>DENOMINATION</i>	<i>DESCRIPTION</i>	<i>BEZEICHNUNG</i>	<i>DESCRIPCIÓN</i>
1	901707	1	CARROZZERIA	CARROSSERIE	CABINET	KARROSSERIE	CARROCERIA
2	905000	4	PIEDINO REGOLABILE	PETIT PIED RÉGABLE	RUBBER LEG	EINSTELLBARESOCKEL	PIÉ REGULABLE
3	905073	1	PORTA	PORTE	DOOR	TÜR	PUERTA
4	903651	1	CUSTODIA CON MAGNETE	PROTECTION MAGNETO	COVER MAGNET	MAGNETSCHUTZ	ESTUCHE CON IMÁN
5	906121	1	SCROCCHETTO INOX	CLIQUET FERMETURE PORTE	DOOR CATCH	SCHNAPPVERSCHLUSS	SCROCCHETTO
6	902023	1	DADO SCROCCHETTO	ECROU DU CLIQUET	NUT LATCH	KLINKENMUTTER	TUERCA
7	904795	2	PERNO PORTA	TOURILLON DE LA PORTE	DOOR PIN	TÜRSCHARNIERESTIFT	PERNO PUERTA
8	901245	2	CERNIERA	PATTE	DOOR SUPPORT	SCHARNIER	BISAGRA
9	904611	1	PANNELLO LATERALE DX	PANNEAU DROITE	RIGHT PANEL	RECHTE VERKLEIDUNG	PANEL DERECHO LATERAL
10	904612	1	PANNELLO LATERALE SX	PANNEAU GAUCHE	LEFT PANEL	LINKE VERKLEIDUNG	PANEL IZQUIERDO LATERAL
11	904613	1	PANNELLO SUPERIORE	PANNEAU SUPERIEUR	UPPER SIDE PANEL	OBERE VERKLEIDUNG	PANEL SUPERIOR
12	901711	1	PANNELLO POSTERIORE	PANNEAU POSTERIEUR	BACK PANEL	HINTERE VERKLEIDUNG	PANEL POSTERIOR
13	901728	1	PANNELLO INFERIORE	PANNEAU INFERIEUR	LOWER PANEL	UNTERE VERKLEIDUNG	PANEL INFERIOR
14	903935	1	MANIGLIA PORTA	MANILLE	HANDLE	KLINKE	MANILLA
15	901659	1	PROFILO MANIGLIA	LISTEAU MANILLE	HANDLETRIM	KLINKE PROFIL	PERFIL MANILLA



Pos.	COD.	Q.tà	DESCRIZIONE	DENOMINATION	DESCRIPTION	BEZEICHNUNG	DESCRIPCION
1	900368	1	BOILER	CHALFFE EAU	BOILER	HEISSWASSERSPEICHER	BOILER
2	904430	1	O-RING TAPPO BOLER	O-RING	O-RING PLUG	O-RING FROPFEN	O-RING TAPÓN
3	907820	1	VITE MSK12	VIS	SCREW	SCHRAUBE	TORNILLO
4	907981	1	O-RING	O-RING	O-RING	O-RING	O-RING
5	905495	1	RESISTENZA 2000W	RESISTANCE	HEATING ELEMENT	HEIZKÖRPER	RESISTENCIA
6	905771	1	RESISTENZA 1000W	RESISTANCE	HEATING ELEMENT	HEIZKÖRPER	RESISTENCIA
7	902390	1	ELETTROVALVOLA A 1 VÍA	SOUPAPE ELECTRIQUE	ELECTRIC VALVE	ELEKTROVENTIL	VALVULA ELECTRICA
8	907295	1	TUBO GOMMA 12 x 19,5	TUYAU EN CAOUTCHOUC	RUBBER HOSE	GUMMSCHLAUCH	TUBO GOMA
9	906055	1	RONDELLA Ø10	RONDELLE	WASHER	UNTERLEGSCHIBE	ARANDELA
10	907280	1	TROPPO PIENO	NIVEAU	OVER FLOW	VEBERLAUF	DAMISADO LLENO
11	905440	1	RACCORDO SCARICO 1"	RACCORD DÉCHARGÉ	PIPE FITTING FOR OUTLET	ABLAUFANSCHLUSS	EMPALME DESAGOTE
12	904350	1	O-RING	O-RING	O-RING	O-RING	O-RING
13	902070	1	GHIERA 1" GAS	FRETTE	RING-NUT	NUT MUTTE	ABRAZADERA
14	902460	1	FASCETTA Ø 26-38	COLLIER	CLAMP	SHELLE	GUARNICIÓN
15	907279	2	TUBETTO PRESSOSTATO SILIC.	TUYAU PRESSOSTAT	PRESSURE SWITCH PIPE	SCHLAUCH	TUBO PRESOSTATO
16	907244	1	TERMOSTATO VASCA	THERMOSTAT DU PANIER	TANK THERMOSTAT	WANNER THERMOSTAT	TERMOSTATO DE PILETA
17	TR0440	1	TERMOSTATO 0°-40°	THERMOSTAT	THERMOSTAT	THERMOSTAT	TERMOSTATO
18	906375	1	SUPPORTO DOSATORE	SUPPORT DOSEUR	PROP. DEVICE SUPPORT	DOSIEURZUSCHLAG	SOPORTE DOSADOR
19	902687	1	PRESACAVO PG. 13,5	FIXAGE DU CABLE D'ALIM.	FIXING CABLE	KABELBEFESTIGER	PRESACAVO
20	902045	1	TUBO ASP. BRILLANTANTE	TUYAU	PIPE	LAUCH	TUBO DE ASPIRACION ABRILL.
21	902440	4	FASCETTA 13-20	COLLIER	CLAMP	SHELLE	ABRAZADERA
22	902013	1	DOSATORE	DOSEUR	DOSING DEVICE	DOSIERSATZ	DOSIFICADOR
23	902025	1	DADO M10	ÉCROU	NUT	MUTTER	TUERCA
24	903403	1	GUARNIZIONE	JOINT	GASKET	DICHTUNG	GUARNICIÓN
25	907846	1	VITE M10X16	VIS	SCREW	SCHRAUBE	TORNILLO
26	905263	1	TRAPPOLA ARIA	RESERVOIR AIR	AIR TRAP	LUFTFALLE	TRAMPA DEL AIRE
27	903263	1	GUARNIZIONE M12	JOINT	GASKET	DICHTUNG	GUARNICIÓN
28	902111	1	GHIERA 3/8 PPL	FRETTE	RING-NUT	NUT MUTTE	ABRAZADERA
29	907344	1	TUBO DI CARICO	TUYAU D'ENTRÉE DE L'EAU	INLET PIPE	WASSERZUFUHRROHR	TUBO
30	907440	1	TUBO DI SCARICO	TUYAU DE DÉCHARGÉ	OUTLET HOSE	ABLAUFSCHLAUCH	TUBO DESAGOTE
31	905434	1	RACCORDO A 3 VIE	RACCORD	PIPE FITTING	ANSCHLUSSE	EMPALME
32	TR 2144	1	SUPPORTO TERMOSTATI	SUPPORT THERMOSTAT	THERMOSTAT SUPPORT	THERMOSTATHALTER	SOPORTE TERMOSTATO
33	907243	1	TERMOSTATO DI SICUREZZA	THERMOSTAT	THERMOSTAT	THERMOSTAT	TERMOSTATO DE SEGURIDAD
34	903982	1	MANOPOLA	BOULTON	KNOB	KNOPF	EMPUJADURA

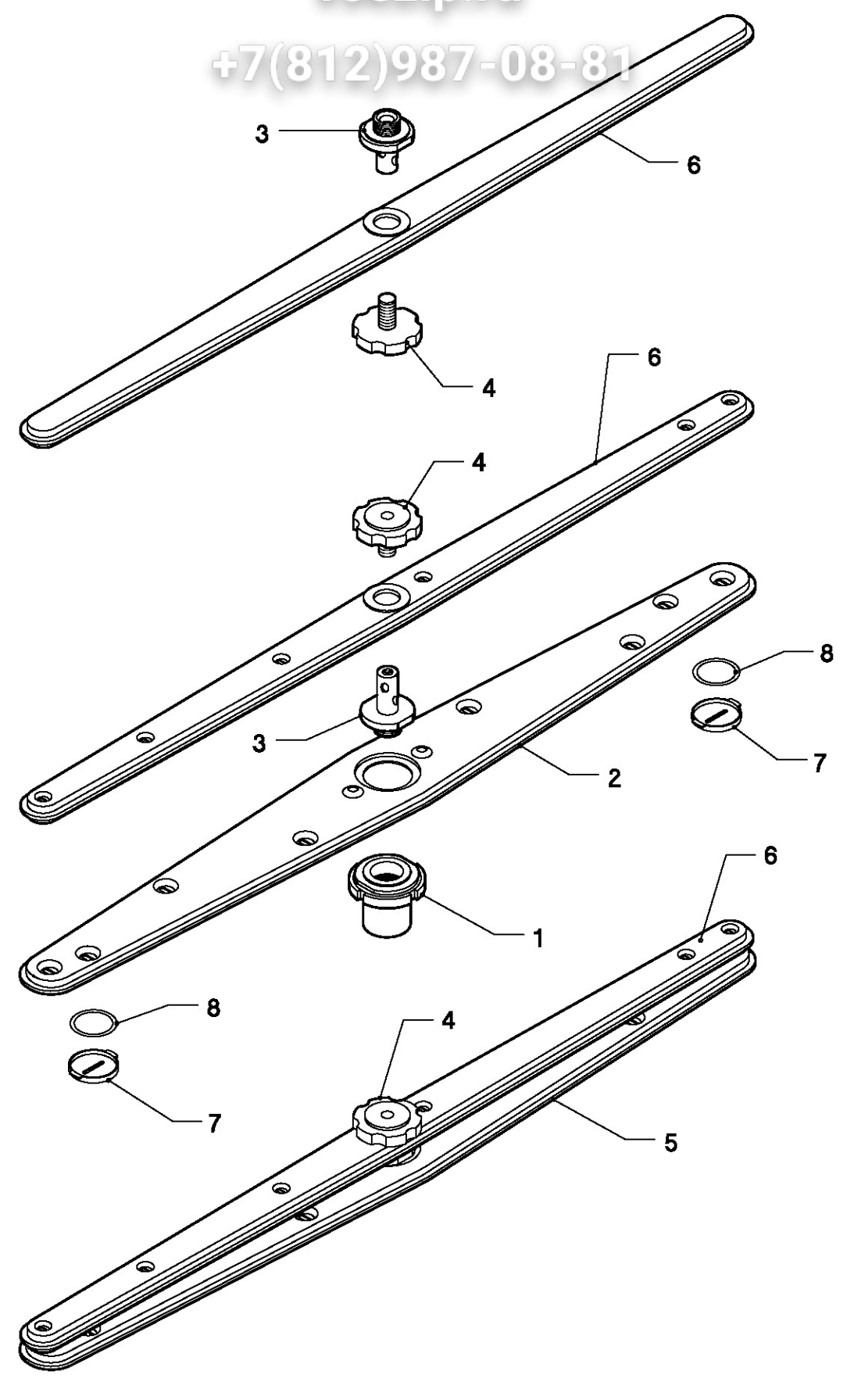


Pos.	COD.	Q.tà	DESCRIZIONE	DENOMINATION	DESCRIPTION	BEZEICHNUNG	DESCRIPCION
1	902238	1	POMPA 0,30kw	POMPE	PUMP	PUMPE	BOMBA
2	903674	1	MANICOTTO ASPIRAZIONE	MANCHON D'ASPIRATION	INLET ELBOW	ANSAUGMUFFE	PALANCA DE ASPIRACION
3	902460	3	FASCETTA Ø 25-40	COLLIER	CLAMP	SCHELLE	ABRAZADERA
4	902441	1	FASCETTA Ø 32-50	COLLIER	CLAMP	SCHELLE	ABRAZADERA
5	902080	1	SHIERA 1" 1/4	YIRGLE	LOCK-NUT	NUT MUTTER	ABRAZADERA
6	904380	1	O-RING	O-RING	O-RING	O-RING	O-RING
7	905380	1	RACCORDO ASPIRAZIONE	RACCORD D'ASPIRATION	INTAKE PIPE FITTING	ANSAUGANSCHLUSSE	EMPALME DE ASPIRACION
8	904467	1	FILTRO	FILTRE	FILTER	FILTER	FILTRO
9	902850	1	SHIERA	YIRGLE	LOCK-NUT	NUT MUTTER	ABRAZADERA
10	903668	1	MANICOTTO MANDATA	MANCHON DE REFAULEM	OUTLET ELBOW	AUSLAUFR	PALANCA DE MANDO
11	907360	3	TUBO GOMMA Ø 10x17	TUYAU EN CAOUTCHOUC	RUBBER HOSE	SUMMISCHLAUSCH	TUBO GOMA
12	902440	3	FASCETTA Ø 13-20	COLLIER	CLAMP	SCHELLE	ABRAZADERA
13	902439	2	FASCETTA Ø 11-17	COLLIER	CLAMP	SCHELLE	ABRAZADERA
14	908771	1	PERNO GIRANTE RISCIOACQUO	TOURILLON DE RINÇAGE	RINSE PIN	SPULLSTIFT	PERNO RODETE ENJAGUE
15	903351	1	QUARNIZIONE	JOINT	GASKET	DICHTUNG	SUARNICION
16	905452	1	RACCORDO A GOMITO 1/2"	RACCORD	PIPE FITTING	ANSCHLUSS	EMPALME
17	904765	1	PERNO LAVAGGIO	TOURRILLON DE LAVAGE	WASH PIN	WASCHSTIFT	PERNO LAVADO
18	906002	1	RONDELLA	RONDELLE	WASHER	UNTERLEGSCHIBE	ARANDELA
19	905558	1	MOZZO INFERIORE	MOYEU INFERIEUR	INFERIOR HUB	OBERE	BUJE INFERIOR
20	903301	1	QUARNIZIONE	JOINT	GASKET	DICHTUNG	SUARNICION
21	905382	1	RACCORDO A 3 VIE	RACCORD	PIPE FITTING	ANSCHLUSSE	EMPALME
22	904156	1	SUPPORTO POMPA	SUPPORT POMPE	PUMP SUPPORT	PUMPE TRAGER	SOPORTE BOMBA

Зип-Общепит

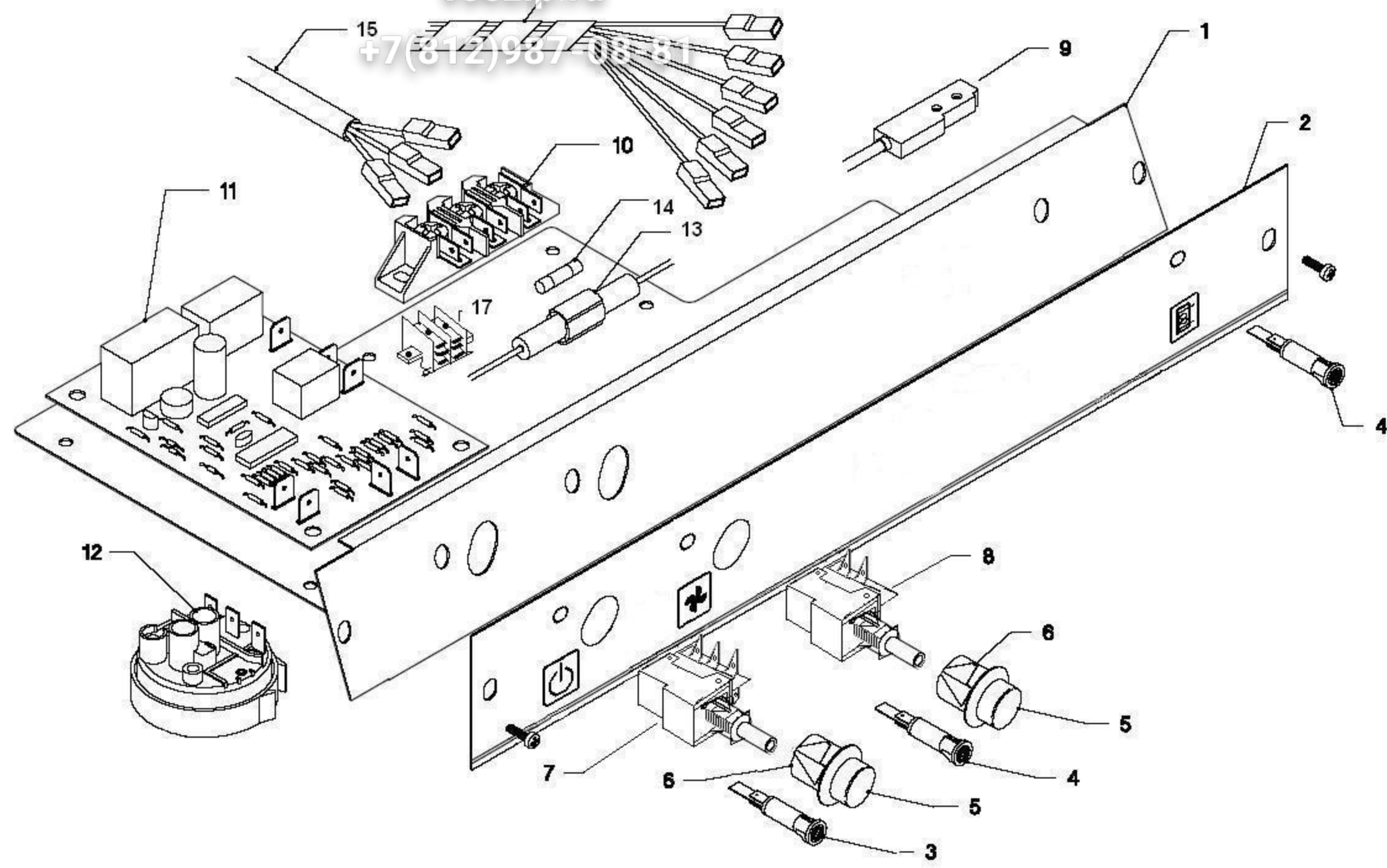
vsezip.ru

+7(812)987-08-81



Pos.	COD.	Q.tà	DESCRIZIONE	DENOMINATION	DESCRIPTION	BEZEICHNUNG	DESCRIPCION
1	904277	1	MOZZO + GHERA	MOYEU + V. ROLE	HUB + RING-NUT	NABE + KLEMMUTTER	BLUE + ABRAZADERA
2	902905	1	GIRANTE LAVAGGIO	BRAS DE LAVAGE	WASH ARM	SPÜLLARM	RODETE LAVADO
3	908771	2	PERNO GIRANTI	PERNO GIRANTI	R INSE PIN	SPÜLLSTIFT	PERNO RODETE ENJAGUE
4	902880	2	GHERA BLOCCAGGIO	FRETTE DE BLOCCAGE	RING-NUT	KLEMMUTTER	ABRAZADERA BLOQUEO
5	903104	1	GIRANTE LAVAGGIO COMP.	BRAS DE LAVAGE COMPL.	COMPL. WASH ARM	SPÜLLARM KOMPL.	RODETE LAVADO COMPL.
6	907555	2	GIRANTE RISCIOGLIO	BRAS DE RINÇAGE	RINSE ARM	SPÜLLSTIFT	RODETE ENJAGUE
7	906445	4	TAPPO ISPEZIONE	BOUCHON	PLUG	FROPFEN	TAPON
8	904324	4	O-RING TAPPO ISPEZIONE	O-RING	O-RING	O-RING	O-RING

vsezip.ru
+7(312)987-08-31



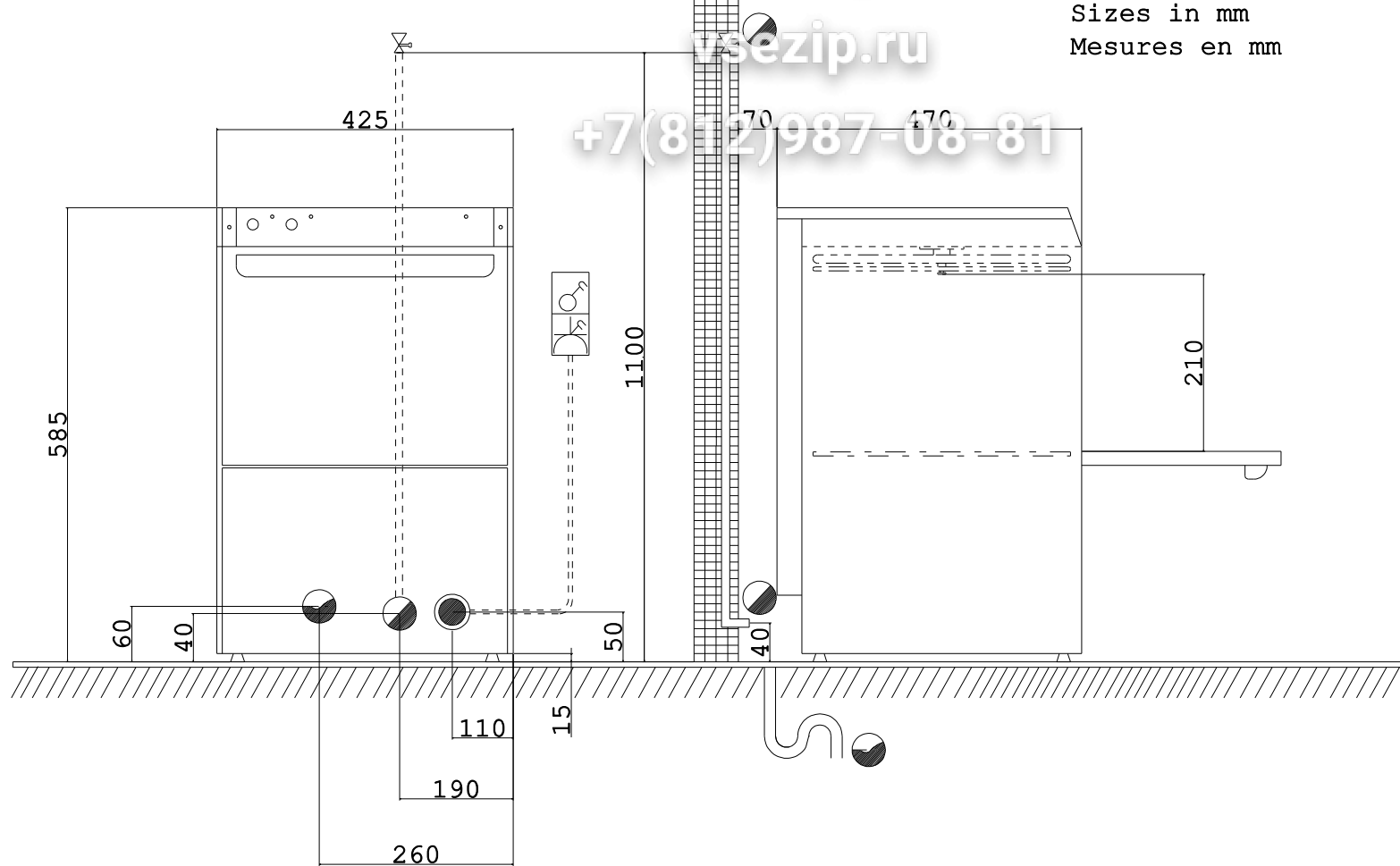
Pos.	COD.	Q.tà	DESCRIZIONE	DENOMINATION	DESCRIPTION	BEZEICHNUNG	DESCRIPCIÓN
1	909321	1	PIASTRA PORTACOMPONENTI	PLAQUE COMPOSANTS	COMPONENT PLATE	PLATTE ZUSAMMENSETZEND	PLACA COMPONENTES
2	909158	1	TARGA	FLAQUETTE	PLATE	SCHILD	PLACA
3	903647	1	SPINA LINEA	LAMPE DE LIGNE	LINE LAMP	KONTROLLAMPE	LUZ LÍNEA
4	903648	2	LAMPADA	LAMPE	LAMP	KONTROLLAMPE	LÁMPARA
5	909145	2	TASTO	BOUDON	KEY	TASTE	TECLA
6	909146	2	SUPPORTO TASTO	SUPPORT BOUDON	SUPPORT KEY	TASTEHALTER	SOPORTE TECLA
7	905317	1	INTERRUTTORE ON/OFF	INTERRUPTEUR	SWITCH	DRUCKKNOPF	INTERRUPTOR
8	905312	1	PULSANTE	BOUDON	PUSH-BUTTON	DRUCKKNOPF	INTERRUPTOR
9	909289	1	REED MAGNETICO	REED	REED	REED	REED MAGNÉTICO
10	904140	1	MORSETTIERA	BORNES	TERMINAL BOARD	KLEMMLEISTE	TABLEROS DE BORNES
11	907175	1	TIMER ELETTRONICO	TIMER ÉLECTRONIQUE	ELECTRONIC TYMER	ELEKTRONISCHER TIMER	TYMER ELECTRONICO
12	905270	1	PRESSOSTATO 2040	PRESSOSTAT	PRESSURE SWITCH	DRUCKWAECHTE	PRESOSTATO
13	907128	1	PORTAFUSIBILE	PORTE-FUSIBLE	FUSE-HOLDER	SICHERUNGSHALTER	PORTAFUSIBILE
14	907116	1	FUSIBILE	FUSIBLE	FUSE	SICHERUNG	FUSIBLE
15	908139	1	CAVO ALIMENTAZIONE	CORDON ÉLECTRIQUE	POWER CABLE	ANSCHLUSSKABEL	CABLE DE ALIMENTACIÓN
16	900475	1	CAVI CABLAGGIO	CABLE CÂBLAGE	WIRING	VERDRAHTUNG	CABLEADO
17	904162	1	MORSETTO BIPOLARE	BORNES	TERMINAL BOARD	KLEMMLEISTE	TABLEROS DE BORNES

Зип-Общепит

sezip.ru

+7 (812) 987-03-81

Misure in mm
 Sizes in mm
 Mesures en mm



MODELLO	MODEL	MODELE	kW
020 / 620 / A620			2.9

Allacciamento elettrico - Electrical connection Branchement électrique - Elektroanschluss		Morsetto equipotenziale - Equipotential terminal Buse equipotential - Potentialsgleichklemme		NON IN DOTAZIONE - NOT INCLUDED PAS EN DOTATION - NICHT DABEI	
<input type="checkbox"/> 3	Morsettiera Terminal board Plaque à bornes Klemmenbrett	v	Ingresso acqua calda Hot water inlet Entrée eau chaude Warmwassereintritt	mm g L/h	Rubinetto di intercettazione Isolator valve Robinet de barrage Absperrhahn
<input type="checkbox"/> 1	Morsettiera Terminal board Plaque à bornes Klemmenbrett	v	Ingresso acqua fredda Cold water inlet Entrée eau froide Kaltwassereintritt	mm g L/h	Interruttore magnetotermico differenziale Differential magnetothermic switch Interrupteur magnétothermique différentiel Magnetothermischer Differentialschalter
<input type="checkbox"/>	Cavo elettrico Electrical cable Câble électrique Elektrokabel	v	Scarico acqua Water drain WasserAbflub	mm g	