


I	LAVASTOVIGLIE INDUSTRIALI
F	LAVE-VAISSELLE INDUSTRIELS
GB	INDUSTRIAL DISHWASHER
D	INDUSTRIEGESCHIRRSPÜLER
ES	LAVAVAJILLAS INDUSTRIALES



627

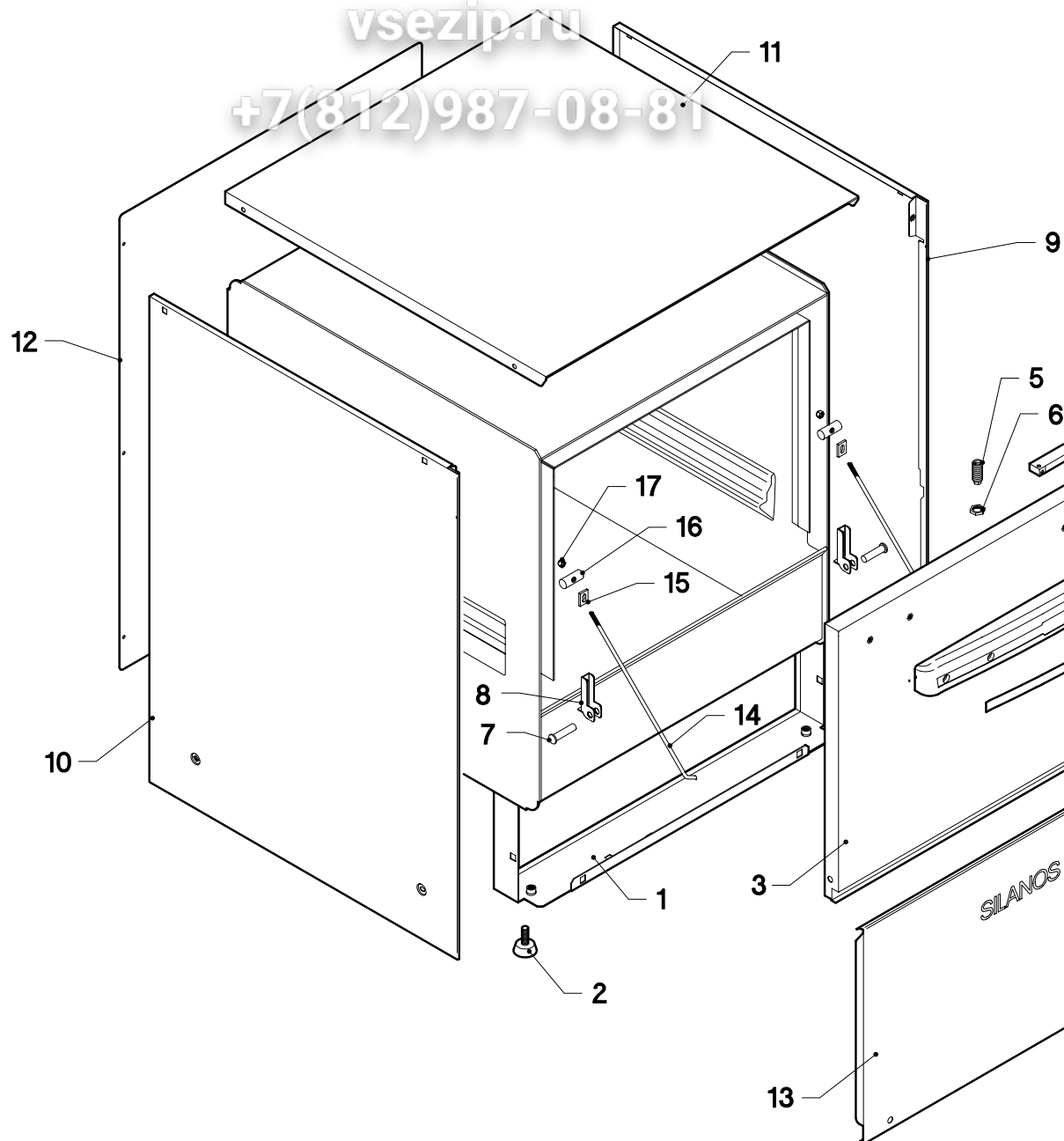
 SILANOS [®] LAVASTOVIGLIE INDUSTRIALI	MANUALE PARTI DI RICAMBIO	
	CATALOGUES PIÉCES DETACHEES	
	SPARE PARTS MANUAL	
	ERSATZTEILEKATALOG	
ED. 2007	Cod. 204072	MANUAL PARTES DE REPUESTOS

627

Зип Ощепит

vsezip.ru

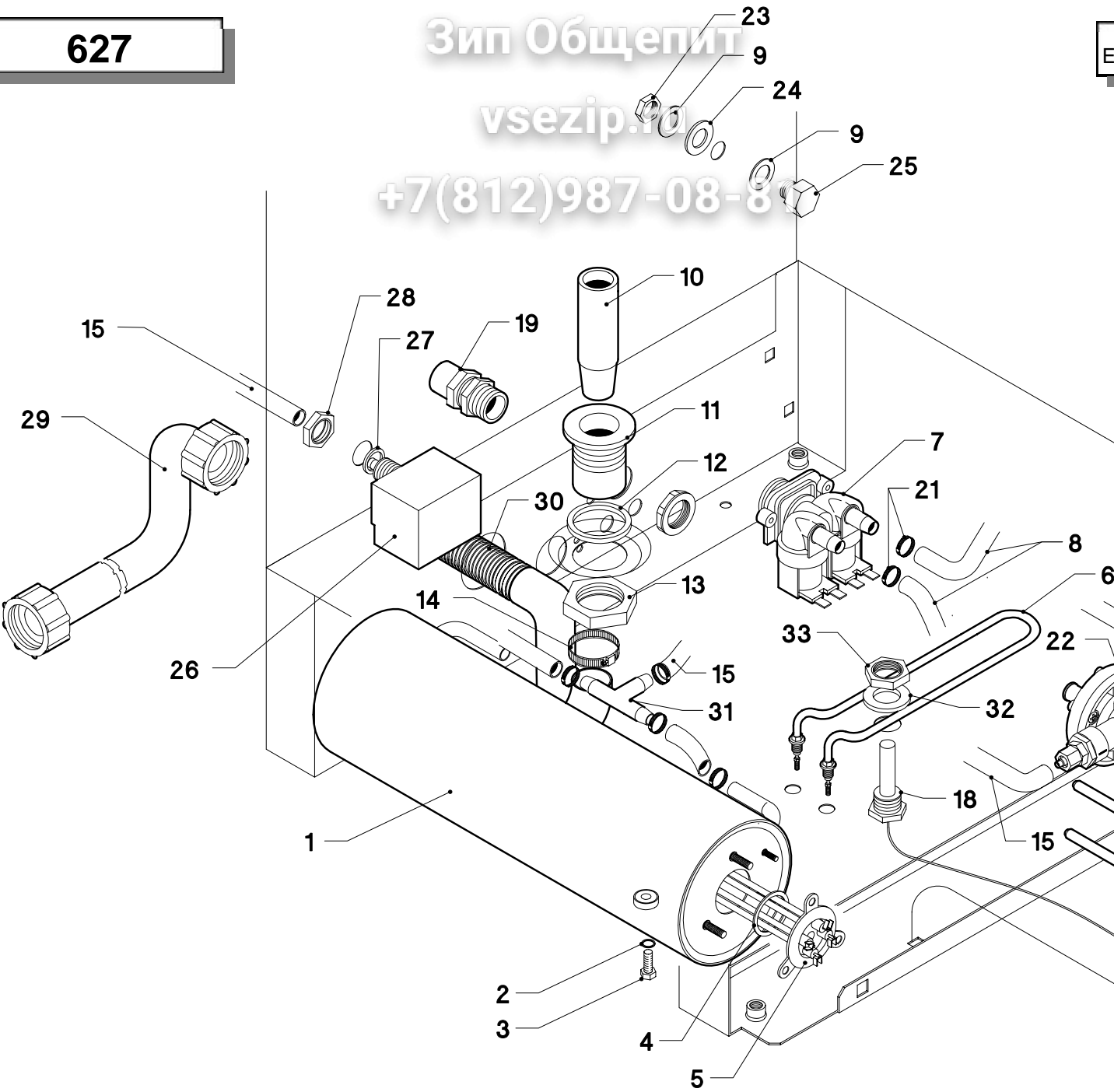
+7(812)987-08-81



627

Зип Общепит

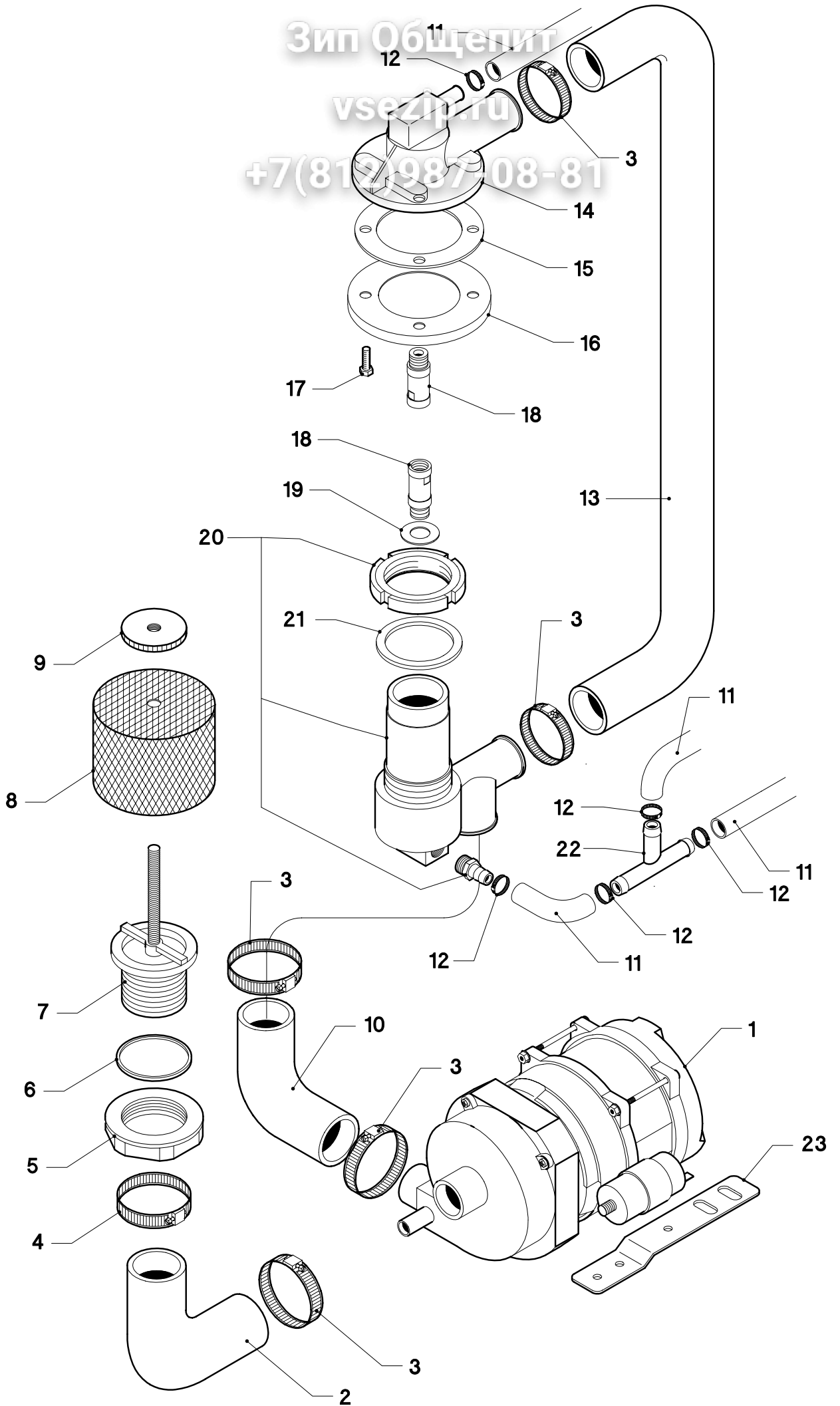
Pos.	COD.	Q.tà	DESCRIZIONE	DENOMINATION	DESCRIPTION	BEZEICHNUNG
1	901751	1	CARROZZERIA	CARROSSÉRIE	CABINET	KARROSSERIE
2	907142	4	PIEDINO REGOLABILE	PETIT PIED RÉGABLE	RUBBER LEG	EINSTELLBAR
3	905080	1	PORTA	PORTE	DOOR	TÜR
4	903651	1	CUSTODIA CON MAGNETE	PROTECTION MAGNETO	COVER MAGNET	MAGNETSCH
5	906121	1	SCROCCHETTO INOX	CLIQUET FERMETURE PORTE	DOOR CATCH	SCHNAPPVER
6	902023	1	DADO SCROCCHETTO	ECROU DU CLIQUET	NUT LATCH	KLINKENMUT
7	904795	2	PERNO PORTA	TOURILLON DE LA PORTE	DOOR PIN	TÜRSCHARNI
8	901245	2	CERNIERA	PATTE	DOOR SUPPORT	SCHARNIER
9	906904	1	PANNELLO LATERALE DX	PANNEAU DROITE	RIGHT PANEL	RECHTE VER
10	906905	1	PANNELLO LATERALE SX	PANNEAU GAUCHE	LEFT PANEL	LINKE VERKL
11	901762	1	PANNELLO SUPERIORE	PANNEAU SUPERIEUR	UPPER SIDE PANEL	OBERE VERK
12	901755	1	PANNELLO POSTERIORE	PANNEAU POSTERIEUR	BACK PANEL	HINTERE VER
13	906925	1	PANNELLO INFERIORE	PANNEAU INFERIEUR	LOWER PANEL	UNTERE VER
14	907240	2	TIRANTE PORTA	TIRANT DU PORTE	DOOR SCREW STAY	TÜRZUGSTAN
15	904952	2	PIASTRINA	PLAQUETTE	PLATE	PLATTEKEN
16	905424	2	FERMO PORTA	FERMETURE PORTE	DOOR SUPPORT	TÜR HALTER
17	902040	2	DADO ATB M6	ECROU	NUT	MUTTER
18	903935	1	MANIGLIA PORTA	MANILLE	HANDLE	KLINKE
19	901659	1	PROFILO MANIGLIA	LISTEAU MANILLE	HANDLETRIM	KLINKE PROF



Pos.	COD.	Q. tà	DESCRIZIONE	DENOMINATION	DESCRIPTION	BEZEICHNUNG
1	900355	1	BOILER	CHAUFFE EAU	BOILER	HEISSWASSER
2	904430	1	O-RING TAPPO BOILER	O-RING BOUCHON	O-RING PLUG	O-RING FROP
3	907820	1	VITE	VIS	SCREW	SCHRAUBE
4	907981	1	O-RING	O-RING	O-RING	O-RING
5	905496	1	RESISTENZA 2600W	RESISTANCE	HEATING ELEMENT	HEIZKÖRPER
6	905771	1	RESISTENZA 1600W	RESISTANCE	HEATING ELEMENT	HEIZKÖRPER
7	902400	1	ELETTROVALVOLA A 2 VIE	SOUPAPE ELECTRIQUE	ELECTRIC VALVE	ELEKTROVEN
8	907295	2	TUBO GOMMA 12 x 19,5	TUYAU EN CAOUTCHOUC	RUBBER HOSE	GUMMISCHLA
9	906055	2	RONDELLA Ø10	RONDELLE	WASHER	UNTERLEGS
10	907280	1	TROPPO PIENO	NIVEAU	OVER FLOW	VEBERLAUF
11	905440	1	RACCORDO SCARICO 1"	RACCORD DÉCHARGÉ	PIPE FITTING FOR OUTLET	ABLAUFANS
12	904350	1	O-RING	O-RING	O-RING	O-RING
13	902070	1	GHIERA 1" GAS	FRETTE	RING-NUT	NUT MUTTE
14	902460	1	FASCETTA Ø 26÷38	COLLIER	CLAMP	SHELLE
15	907279	5	TUBETTO PRESSOSTATO SILIC.	TUYAU PRESSOSTAT	PRESSURE SWITCH PIPE	SCHLAUCH
16	907124	1	TERMOSTATO VASCA	THERMOSTAT DU PANIER	TANK THERMOSTAT	WANNER THE
17	TR0440	1	TERMOSTATO 0°-90°	THERMOSTAT	THERMOSTAT	THERMOSTA
18	908753	1	PORTABULBO	SIEGE DE BULBE	SEATING BULB	KUGEL SITZ
19	902687	1	PRESSACAVO PG. 13,5	FIXAGE DU CABLE D'ALIM.	FIXING CABLE	KABELBEFES
20	907270	1	TUBO ASP. BRILLANTANTE	TUYAU	PIPE	LAUCH
21	902440	6	FASCETTA 13÷20	COLLIER	CLAMP	SHELLE
22	902018	1	DOSATORE	DOSEUR	DOSING DEVICE	DOSIERSATZ
23	902025	1	DADO M10	ÉCROU	NUT	MUTTER
24	903403	1	GUARNIZIONE	JOINT	GASKET	DICHTUNG
25	907846	1	VITE M10X16	VIS	SCREW	SCHRAUBE
26	905273	1	TRAPPOLA ARIA	RESERVOIR AIR	AIR TRAP	LUFTFALLE
27	903260	1	GUARNIZIONE 3/8" GAS	JOINT	GASKET	DICHTUNG
28	902100	1	GHIERA 3/8" GAS	VIROLE	LOCK NUT	NUT MUTTER
29	907344	1	TUBO DI CARICO	TUYAN D'ENTRÉE DE L'EAU	INLET PIPE	WASSERZUF
30	907440	1	TUBO DI SCARICO	TUYAU DE DÉCHARGÉ	OUTLET HOSE	ABLAUFSCHL
31	905408	1	RACCORDO A 3 VIE	RACCORD	PIPE FITTING	ANSCHLUSSE
32	904991	1	GUARNIZIONE 3/8"	JOINT	GASKET	DICHTUNG
33	902104	1	DADO 3/8"	ÉCROU	NUT	MUTTER
34	906367	1	SUPPORTO TERMOSTATI	SUPPORT THERMOSTAT	THERMOSTAT SUPPORT	THERMOSTA
35	907125	1	TERMOSTATO DI SICUREZZA	THERMOSTAT	THERMOSTAT	THERMOSTA
36	903982	1	MANOPOLA	BOUTON	KNOB	KNOPF

Зип Общежит
vsezip.ru

+7(812)987-08-81



Pos.	COD.	Q. tà	DESCRIZIONE	DENOMINAZIONE	DESCRIPTION	BEZEICHNUNG
1	902238	1	POMPA HP 0,20	POMPE	PUMP	PUMPE
2	903674	1	MANICOTTO ASPIRAZIONE	MANCHON D'ASPIRATION	INLET ELBOW	ANSAUGMUFFE
3	902460	5	FASCETTA Ø 26÷38	COLLIER	CLAMP	SHELLE
4	902441	1	FASCETTA Ø 38÷50	COLLIER	CLAMP	SHELLE
5	902080	1	GHIERA 1" ¼	VIROLE	LOCK-NUT	NUT MUTTER
6	904380	1	O-RING	O-RING	O-RING	O-RING
7	905380	1	RACCORDO ASPIRAZIONE	RACCORD D'ASPIRATION	INTAKE PIPE FITTING	ANSAUGANSCHLUSSE
8	902570	2	FILTRO	FILTRE	FILTER	FILTER
9	902850	1	GHIERA	VIROLE	LOCK-NUT	NUT MUTTER
10	903668	1	MANICOTTO MANDATA	MANCHON DE REFAULEM.	OUTLET ELBOW	AUSLAMUFFE
11	907360	3	TUBO GOMMA Ø 10x17	TUYAN EN CAOUTCHOUC	RUBBER HOSE	GUMMISCHLAUCHE
12	902440	5	FASCETTA Ø 13÷20	COLLIER	CLAMP	SHELLE
13	903725	1	MANICOTTO MANDATA SUP.	MANCHON DE REFOUL. SUP.	UPPER OUTLET ELBOW	OBERAUSLAUFMUFFE
14	900033	1	MOZZO SUPERIORE	MOYEU SUPERIEUR	UPPER HUB	OBERNABE
15	903330	1	GUARNIZIONE	JOINT	GASKET	DICHTUNG
16	901775	1	FLANGIA	FLASQUE	FLANGE	FLANSCH
17	907780	4	VITE M6X10	VIS	SCREW	SCHRAUBE
18	904765	2	PERNO LAVAGGIO	TOURRILLON DE LAVAGE	WASH PIN	WASCHSTIFT
19	906032	1	RONDELLA	RONDELLE	WASHER	UNTERLEGSCHEIBE
20	905555	1	MOZZO INFERIORE	MOYEU INFERIEUR	INFERIOR HUB	OBERE
21	903301	1	GUARNIZIONE	JOINT	GASKET	DICHTUNG
22	905382	1	RACCORDO A 3 VIE	RACCORD	PIPE FITTING	ANSCHLUSSE
23	904156	1	SUPPORTO POMPA	SUPPORT POMPE	PUMP SUPPORT	PUMPE TRÄGER

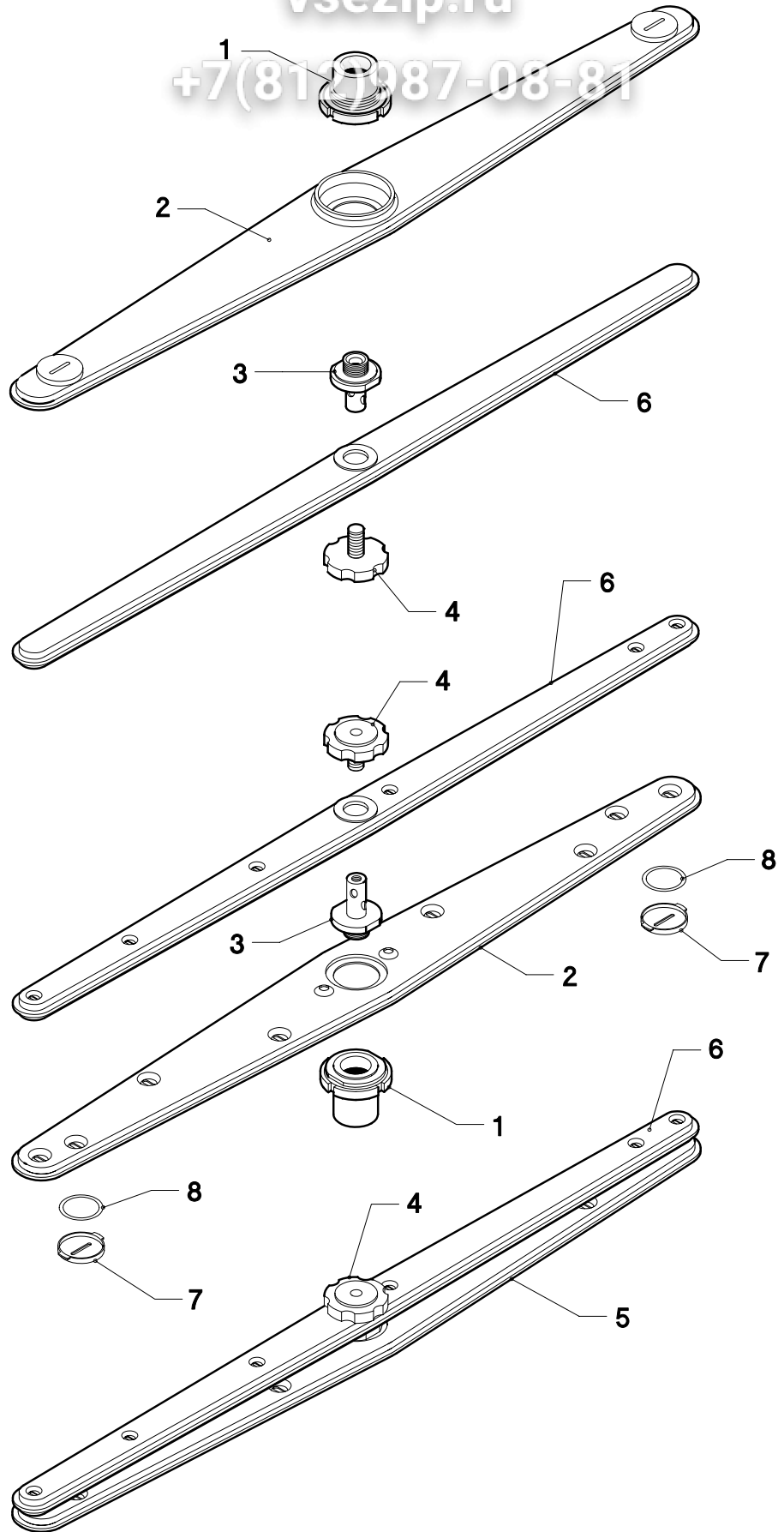
Зип Общепит

vsezip.ru

+7(812)987-08-81

TAV. 4

ED. 2007



627

627**Зип Общепит**

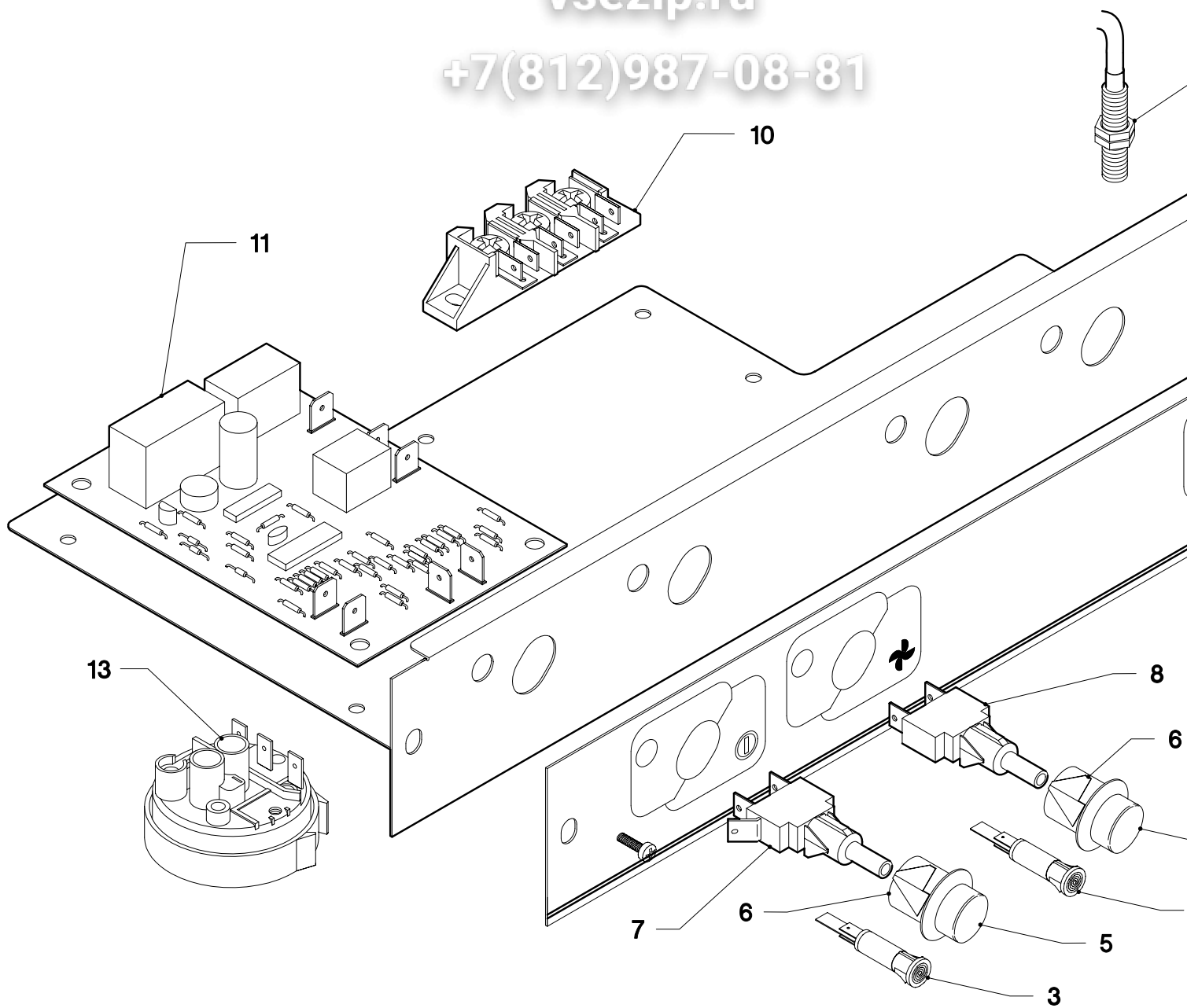
Pos.	COD.	Q.tà	DESCRIZIONE	DENOMINATION	DESCRIPTION	BEZEICHNUNG
1	904277	2	MOZZO + GHIERA	MOYEU + VIROLE	HUB + RING-NUT	NABE + KLEMMMUTTER
2	902905	2	GIRANTE LAVAGGIO	BRAS DE LAVAGE	WASH ARM	SPÜLLARM
3	904760	2	PERNO GIRANTE RISC.	TOURILLON DE RINÇAGE	RINSE PIN	SPÜLLSTIFT
4	902880	2	GHIERA BLOCCAGGIO	FRETTE DE BLOCAGE	RING-NUT	KLEMMMUTTER
5	903104	2	GIRANTE LAVAGGIO COMP.	BRAS DE LAVAGE COMPL.	COMPL. WASH ARM	SPÜLLARM K
6	907956	2	GIRANTE RISCIAQUO	BRAS DE RINÇAGE	RINSE ARM	SPÜLLSTIFT
7	906445	4	TAPPO ISPEZIONE	BOUCHON	PLUG	FROPFEN
8	904324	4	O-RING TAPPO ISPEZIONE	O-RING	O-RING	O-RING

627

Зип Общепит

vsezip.ru

+7(812)987-08-81



627**Зип Ощепит**

Pos.	COD.	Q.tà	DESCRIZIONE	DENOMINATION	DESCRIPTION	BEZEICHNUNG
1	909261	1	PIASTRA PORTACOMPONENTI	PLAQUE COMPOSANTS	COMPONENT PLATE	PLATTE ZUSAMMENSETZEND
2	909172	1	TARGA	PLAQUETTE	PLATE	SCHILD
3	903643	1	SPIA LINEA	LAMPE DE LIGNE	LINE LAMP	KONTROLLAMP
4	903642	3	LAMPADA	LAMPE	LAMP	KONTROLLAMP
5	909145	3	TASTO	BOUTON	KEY	TASTE
6	909146	3	SUPPORTO TASTO	SUPPORT BOUTON	SUPPORT KEY	TASTEHALTER
7	905312	1	PULSANTE	BOUTON	PUSH-BUTTON	DRUCKKNOPF
8	905313	1	PULSANTE	BOUTON	PUSH-BUTTON	DRUCKKNOPF
9	TR0309	1	REED MAGNETICO	REED	REED	REED
10	904140	1	MORSETTIERA	BORNES	TERMINAL BOARD	KLEMMLEISTE
11	907174	1	TIMER ELETTRONICO	TIMER ÉLECTRONIQUE	ELECTRONIC TYMER	ELEKTRONISCHES ZEITGLÖCKCHEN
12	905319	1	PULSANTE	BOUTON	PUSH-BUTTON	DRUCKKNOPF
13	905270	1	PRESSOSTATO 20/40	PRESSOSTAT	PRESSURE SWITCH	DRUCKWAECHE