

Зип Общепит

vsezip.ru

+7(812)987-08-81

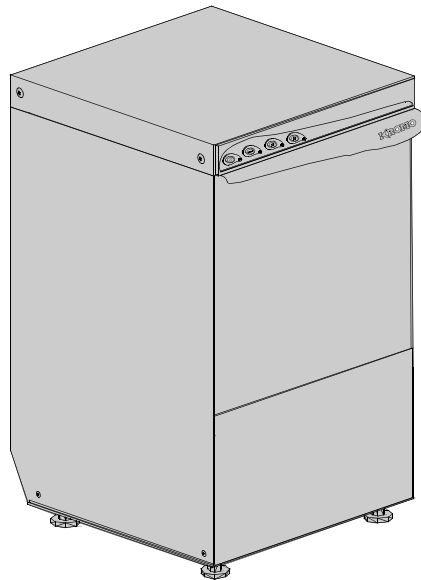
DISHWASHER

ELECTROMECHANICAL SWITCHES
LOWER AND UPPER WASHING
INSULATED MODEL

TYPE: LUX60

Accessories
BREAK TANK
BOOSTER PUMP
DVGW
COLD RINSE
WATER SOFTNER
DETERGENT DISPENSER
DRAIN PUMP

Spare Parts Manual



INFORMAZIONI GENERALI

Questo catalogo serve per richiedere con esattezza le parti di ricambio

Nelle ordinazioni indicare:

- 1) il numero dei codici dei particolari seguito dalla descrizione e la quantità desiderata;
- 2) Il codice alfa-numerico presente nella seconda colonna della tabella ;

I disegni delle parti di ricambio sono solo indicativi e non rappresentano il pezzo in oggetto.

I dati contenuti in questo catalogo sono indicativi e possono essere soggetti a modifiche senza impegno di preavviso.

ALLGEMEINE INFORMATIONEN

Dieser Ersatzteilkatalog dient zur genauen Angabe der Teile bei Ersatzteilbestellungen.

Bei Ersatzbestellung ist folgendes anzugeben:

- 1) Die Bestellnummer der Ersatzteile mit der entsprechenden Beschreibung genaue Menge;
- 2) Der alpha-numerischer Code auf der zweiten Reihe in dein Schuld;

Die Zeichnungen der Ersatzteile sind nur als Hinweise gedacht und stellen nicht das betroffene Teil dar.

Bei den im Katalog angeführten Daten handelt es sich um Anhaltsdaten, die jederzeit, ohne Vorankündigung, geändert werden können.

GENERAL INFORMATION

The present spare parts order exactly the right spare parts

When ordering specify:

- 1) the part's code number followed by its description and quantity needed;
- 2) The alpha-numeric code is in the second column in the chart;

Spare parts drawings are general and do not represent the part.

The contents of this catalogue are general and can undergo changes without prior notice.

INFORMACIONES GENERALES

El presente catálogo sirve para pedir con exactitud las partes de repuesto

En los pedidos se debe indicar:

- 1) el número de código de la parte y a continuación la descripción cantidad deseada;
- 2) El código alfanumerico presente en la segnada columna de la tabla;

Los diseños de las partes de recambio son solo indicativos y no representan la pieza en cuestión.

Los datos contenidos en el presente catálogo son indicativos y pueden modificarse sin aviso previo.

INFORMATIONS GENERALES

Ce catalogue permet de commander correctement les pièces détachées

Les commandes doivent être passées en indiquant:

- 1) le numero de code des pièces détachées suivi de leur description quantité désirée;
- 2) le code alphanumérique dans la deuxième colonne du tableau;

Les plans des pièces détachées sont fournis seulement à titre indicatif et ne représentent pas la pièce concernée.

Les données de ce catalogue sont citées seulement à titre indicatif et peuvent être l'objet de modifications sans avis préalable.

**ESEMPIO
EXAMPLE
EXEMPLE
BEISPIEL**

| Rif. | Codici |
|--------------------|---------|
| MODULE:Particolari | |
| 10505 | 540903 |
| 10510 | 540908 |
| 10515 | 15065/A |
| 10520 | 540086 |
| 10525 | 540028 |

Note

Tutte le informazioni riportate si intendono aggiornate alla data di stampa. Il Produttore si riserva il diritto di apportare qualsiasi modifica richiesta dallo sviluppo evolutivo dei suddetti prodotti.

Per la sicurezza ,la garanzia, l'affidabilità ed il valore della lavastoviglie usa solo ricambi originali. **Per alcuni codici, sono richieste quantità minime d'ordine.**

Attenzione

Questo libretto è parte integrante della lavastoviglie e, in caso di passaggio di proprietà, deve essere consegnato al nuovo acquirente.

Remarque

Toutes les informations contenues dans ce manuel s'entendent mises à jour à la date d'impression. En raison du développement constant de ses produits, usine se réserve le droit d'apporter à tout instant les modifications qu'elle jugera utiles.

Pour la sécurité, la garantie, la fiabilité et la valeur de votre lavevaisselles n'utilisez que des pièces de rechange d'origine. **Pour quelque référence on demande un minimum de pièces par commande**

Attention

Ce manuel doit être considéré comme partie intégrante de la lavevaisselles, en cas de transfert de propriété, doit toujours être remis au nouveau propriétaire.

Note

The information contained herein is valid at the time of going to print. The Company reserves the right to make any changes required by the future development of the above-mentioned products.

For your safety, as well as to preserve the warranty reliability and worth of your dishwashers , use original spare parts only. **For some codes a minimum quantity for order is required.**

Warning

This manual forms an integral part of the dishwashers and - if a transfer of title occurs - must always be handed over to the new owner.

Hinweis

Die Der Hersteller behält sich das Recht vor, jegliche, durch eine Weiterentwicklung der genannten Produkte bedingte Änderungen vornehmen zu können.

Verwenden Sie für Ihre Sicherheit, die Garantie, die Zuverlässigkeit und den Wert Ihrer machine originale Ersatzteile. **Für bestimmte Code nummer werden mindesten bestellungen verlangt.**

Achtung

Diese Betriebsanleitung ist Bestandteile des machine und muss bei seinem Weiterverkauf dem neuen Besitzer ausgehändigt werden.

vsezip.ru
+7(812)987-08-81

Code DW 999XXYYYY **CL/Part**

Model DESCRIPTION

S/N DW A 1015770 **Type**

400V 3N 50HZ 8A
3500W 500W

IPX3 16A

Pressione Dinamica alimentazione idrica **200-500 kPa**
 Pression dynamique arrivée d'eau
 Dynamic pressure water supply
 Dynamischer Druck asserreinlauf

Pressione dinamica vapore saturo
 Pression dynamique vapore satueèè
 Dymanscher Druck gesattigter Dampf
 Pression Dinamica Vapor Saturado

TECHICAL SPECIFICATION

MADE IN ITALY

Temperatura massima acqua in ingresso **60°C**
 Temperature max eau a l'entre
 Maximale Temperatur Wasseranschlü
 Maximum Water temperature in-feeding

Model

S/N



Spare parts

Зип Общепит

vsezip.ru

+7(812)987-08-81

vsezip.ru

+7(812)987-08-81

1. Spare parts

| | |
|------------------------------------|----|
| General body parts..... | 9 |
| Lockup system | 11 |
| Control panel and switches..... | 13 |
| Electric control components..... | 15 |
| Solenoid valve group | 17 |
| Solenoid valve group | 19 |
| Break Tank | 21 |
| Rinse with steady temperature..... | 23 |
| Booster pump..... | 25 |
| Booster pump..... | 27 |
| DVGW | 29 |
| Water softner group..... | 31 |
| Rinse aid dispenser group..... | 33 |
| Boiler group | 35 |
| 3 ways connection | 37 |
| Wash pump | 39 |

Dosing detergent group 41

Drain pump group 43

Pressure switch group with air trap ... 45

Turret group with rotating arms 47

Turret group with rotating arms 49

Turret group with rotating arms 51

1.1 Voltage codes

| Volt | Voltage code |
|------|-------------------------|
| A | 3/N/PE~380-400V 50-60Hz |
| D | 3/PE~200-210V 50-60Hz |
| F | 2/PE~220-240V 50-60Hz |
| G | 3/N/PE~415V 50-60Hz |
| H | 3/PE~220-230V 50-60Hz |
| K | 3/PE~380-400V 50-60Hz |
| L | 3/PE~415V 50-60Hz |
| M | 3/PE~440V 60Hz |
| P | 1/N/PE~220-230V 50-60Hz |
| R | 2/PE~220-240V 50-60Hz |
| U | 1/N/PE~240V 50-60Hz |
| V | 3/PE~240V 50-60Hz |
| W | 1/N/PE~100-110V 50-60Hz |

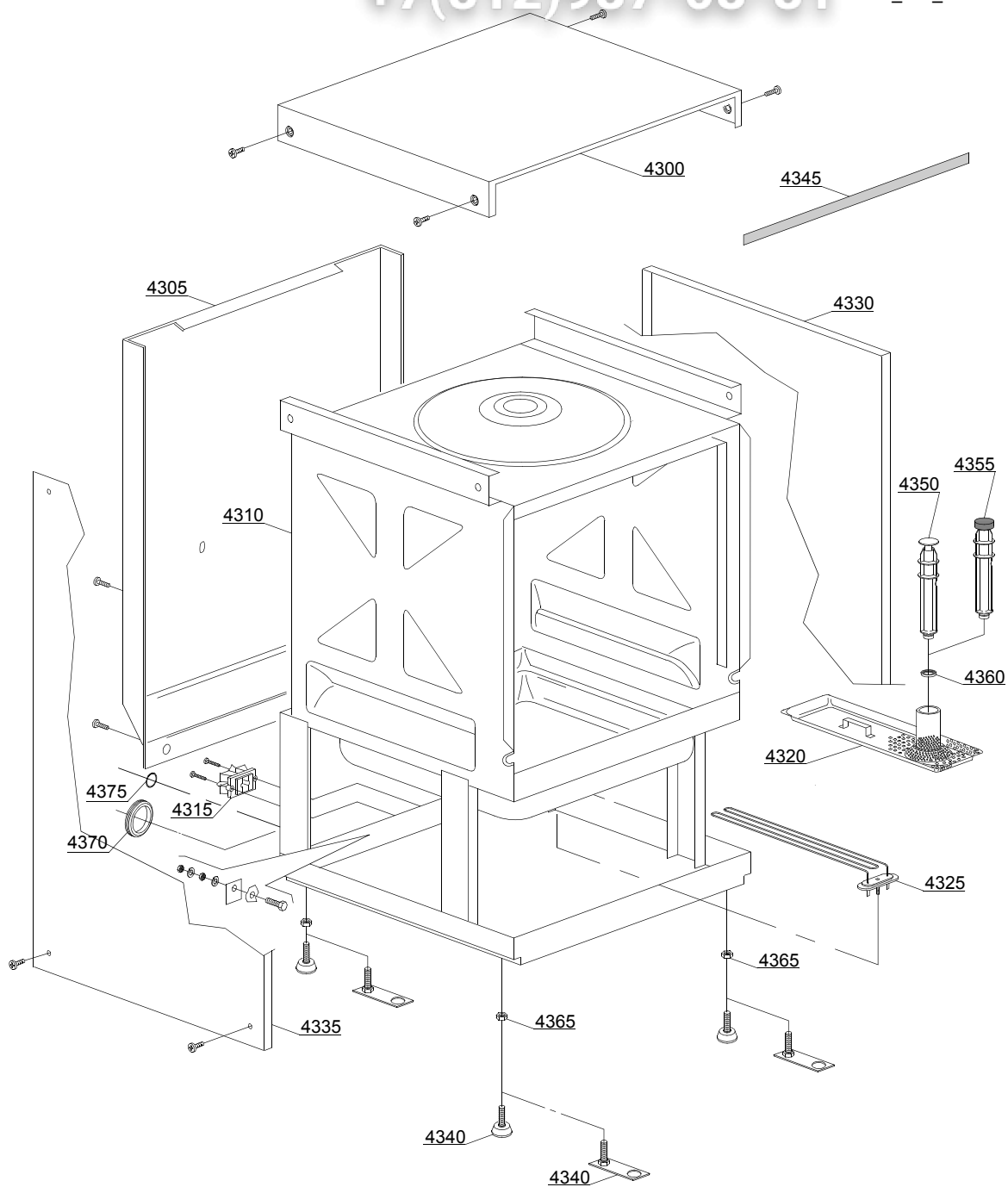
1.2 Product codes

| Product code | Full name |
|-----------------|----------------------------|
| Model codes | |
| em | ELECTROMECHANICAL SWITCHES |
| uw | LOWER AND UPPER WASHING |
| i | INSULATED MODEL |
| Type codes | |
| LUX60 | LUX60 |
| Accessory codes | |
| bt | BREAK TANK |
| bp | BOOSTER PUMP |
| dvgw | DVGW |
| cr | COLD RINSE |
| ws | WATER SOFTNER |
| dd | DETERGENT DISPENSER |
| dp | DRAIN PUMP |

vsezip.ru

+7(812)987-08-81

01_002_e



vsezip.ru

| ID | P-code | SN from | SN to | Mod. | Acces. | Volt | Description |
|----------------------------------|----------|---------|-------|------|--------|------|---|
| Module:General body parts | | | | | | | |
| 4300 | 560917 | | - | i | | | Cover |
| 4305 | 560919 | | - | i | | | Back panel |
| 4305 | 560938 | | - | i | bt | | Back panel |
| 4310 | 560900 | | - | i | | | Body |
| 4310 | 560928 | | - | | ws | | Body |
| 4315 | 15065/A | | - | i | | | Cable-fastener with screw |
| 4320 | 560925 | | - | i | | | Surface filter |
| 4325 | 150047 | | - | i | | | 2,7/2,94KW 230/240V heating element |
| 4325 | 150047/A | | - | i | | | 2,7KW - 440V heating element |
| 4330 | 560914 | | - | i | | | Right side |
| 4335 | 560915 | | - | i | | | Left side |
| 4340 | 10786 | | - | i | | | M10x25 Ø40 black foot (minimum 4 pieces) |
| 4340 | 15176 | | - | i | | | M10 marina foot |
| 4345 | 560021 | | - | i | | | Profile for door O-ring |
| 4350 | 500619 | | - | i | | | H=213mm Overflow pipe |
| 4355 | 560020 | | - | i | dp | | Drain pump Overflow pipe |
| 4360 | 13021 | | - | i | | | DEM 40 O-ring (minimum 2 pieces) |
| 4365 | 11711 | | - | i | | | M10 zinc plated nut (minimum 20 pieces) |
| 4370 | 13317 | | - | i | | | D.40mm unloading pipe pass (minimum 2 pieces) |
| 4375 | 13323 | | - | i | | | D.13mm dosing pipe pass (minimum 2 pieces) |

em=ELECTROMECHANICAL SWITCHES, uw=LOWER AND UPPER WASHING, i=INSULATED MODEL

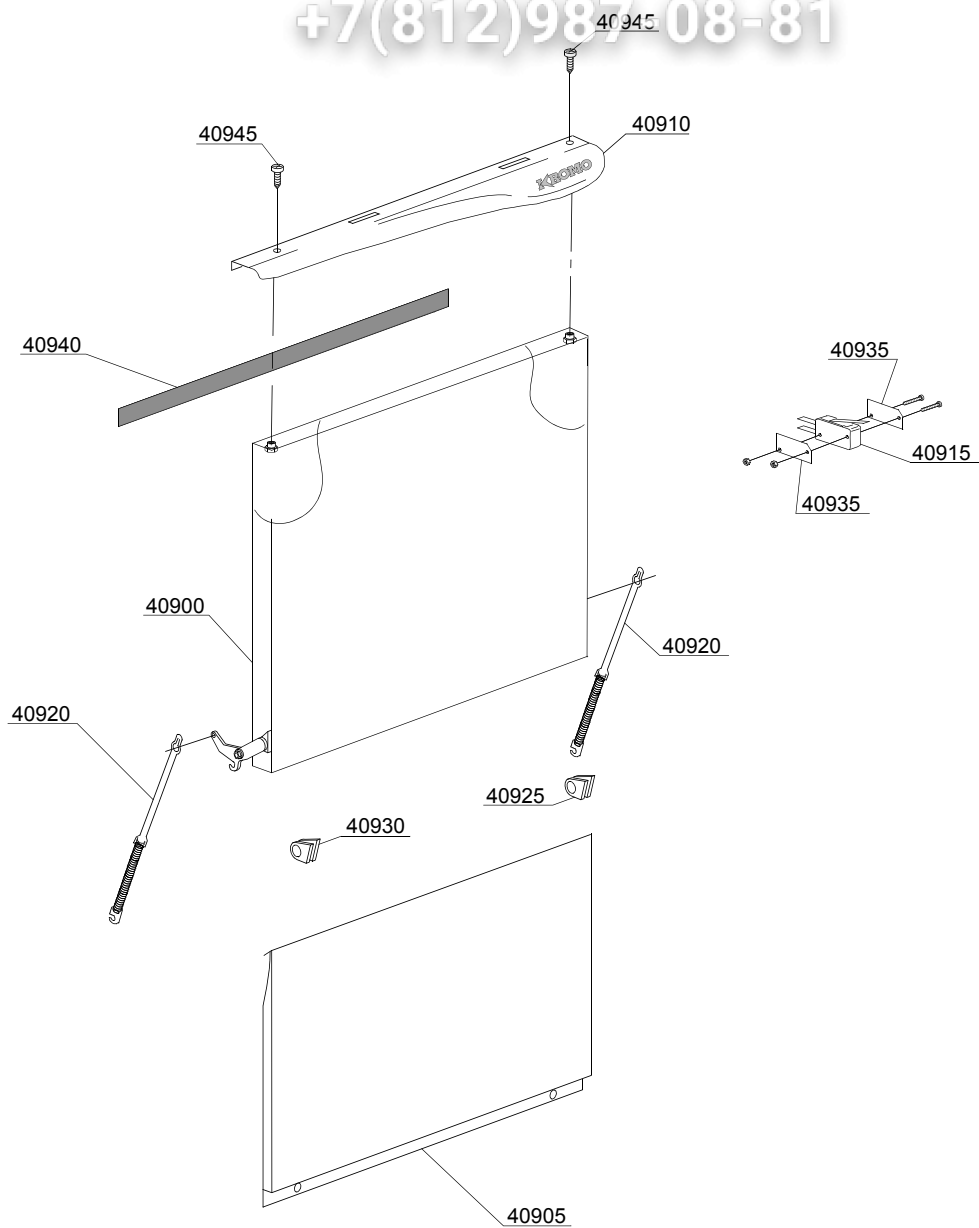
LUX60=LUX60

bt=BREAK TANK, bp=BOOSTER PUMP, dvgw=DVGW, cr=COLD RINSE, ws=WATER SOFTNER, dd=DETERGENT DISPENSER, dp=DRAIN PUMP

A=3/N/PE~380-400V 50-60Hz, D=3/PE~200-210V 50-60Hz, F=2/PE~220-240V 50-60Hz, G=3/N/PE~415V 50-60Hz, H=3/PE~220-230V 50-60Hz, K=3/PE~380-400V 50-60Hz, L=3/PE~415V 50-60Hz, M=3/PE~440V 60Hz, P=1/N/PE~220-230V 50-60Hz, R=2/PE~220-240V 50-60Hz, U=1/N/PE~240V 50-60Hz, V=3/PE~240V 50-60Hz, W=1/N/PE~100-110V 50-60Hz

vsezip.ru

+7(812)987-08-81



02_128_e

vsezip.ru

| ID | P-code | SN from | SN to | Mod | Acces | Volt | Description |
|------------------------------|----------|---------|-------|-----|-------|------|--|
| Module: Lockup system | | | | | | | |
| 40900 | 570002 | | - | | | | Door with steel handle |
| 40905 | 570005 | | - | | | | Lower door |
| 40910 | 560965 | | - | | | | KROMO Stainless steel handle |
| 40910 | 560965/N | | - | | | | NEUTRAL Stainless steel handle |
| 40915 | 10704 | | - | | | | Door microswitch |
| 40920 | 570200 | | - | | | | Door spring |
| 40925 | 560006 | | - | | | | Right lock for door hinge (minimum 2 pieces) |
| 40930 | 560007 | | - | | | | Left lock for door hinge (minimum 2 pieces) |
| 40935 | 10770 | | - | | | | Insulation for door microswitch (minimum 3 pieces) |
| 40940 | 560021 | | - | | | | Profile for door O-ring |
| 40945 | 11220 | | - | | | | M4x14 TCB-CR Inox Screw |
| 40950 | 11226 | | - | | | | M4 inox Plated nut |

em=ELECTROMECHANICAL SWITCHES, uw=LOWER AND UPPER WASHING, i=INSULATED MODEL

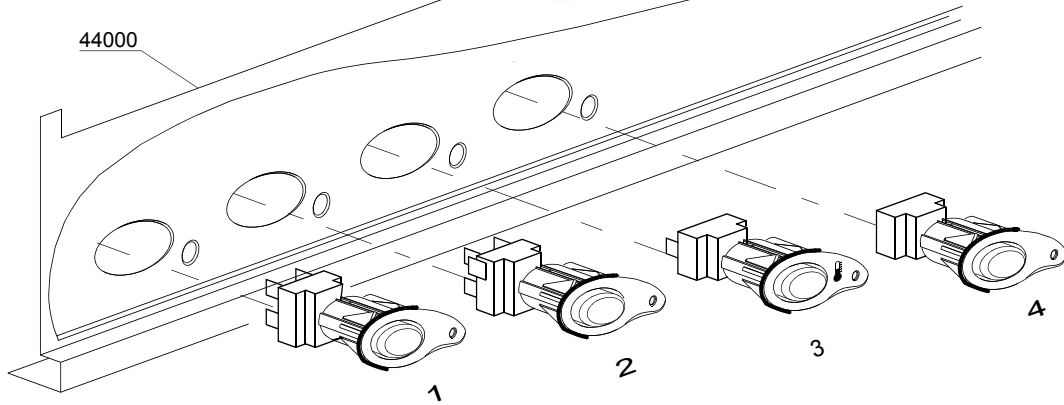
LUX60=LUX60

bt=BREAK TANK, bp=BOOSTER PUMP, dvgw=DVGW, cr=COLD RINSE, ws=WATER SOFTNER, dd=DETERGENT DISPENSER, dp=DRAIN PUMP

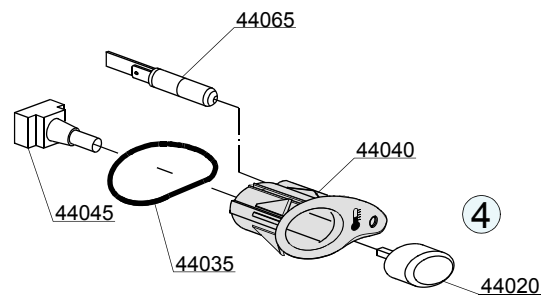
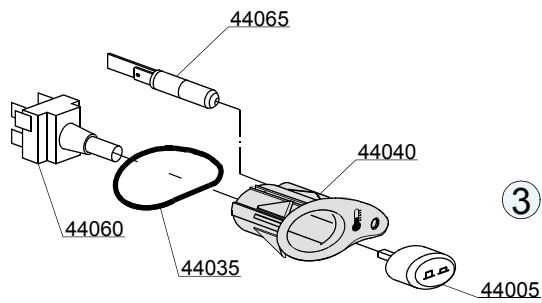
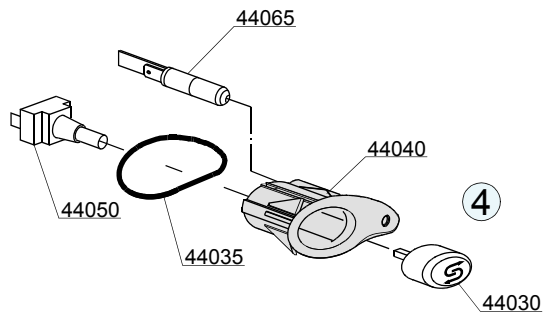
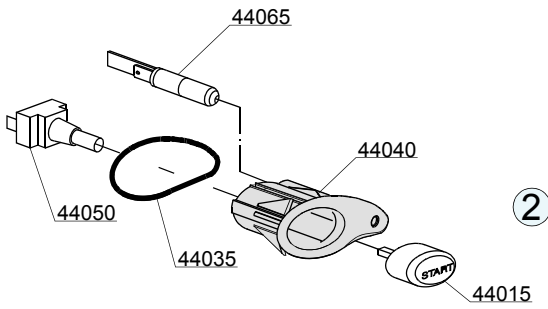
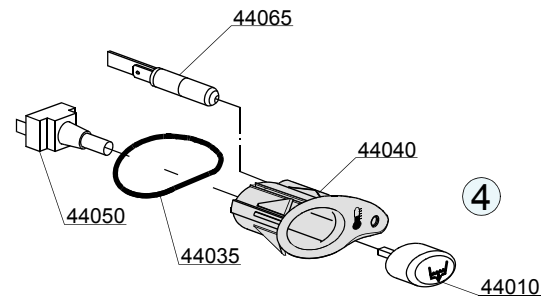
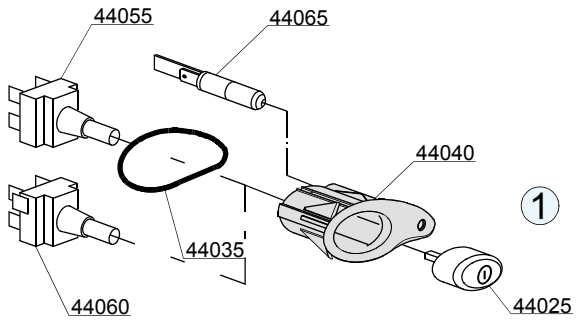
A=3/N/PE~380-400V 50-60Hz, D=3/PE~200-210V 50-60Hz, F=2/PE~220-240V 50-60Hz, G=3/N/PE~415V 50-60Hz, H=3/PE~220-230V 50-60Hz, K=3/PE~380-400V 50-60Hz, L=3/PE~415V 50-60Hz, M=3/PE~440V 60Hz, P=1/N/PE~220-230V 50-60Hz, R=2/PE~220-240V 50-60Hz, U=1/N/PE~240V 50-60Hz, V=3/PE~240V 50-60Hz, W=1/N/PE~100-110V 50-60Hz

vsezip.ru

+7(812)987-08-81



03_053_e



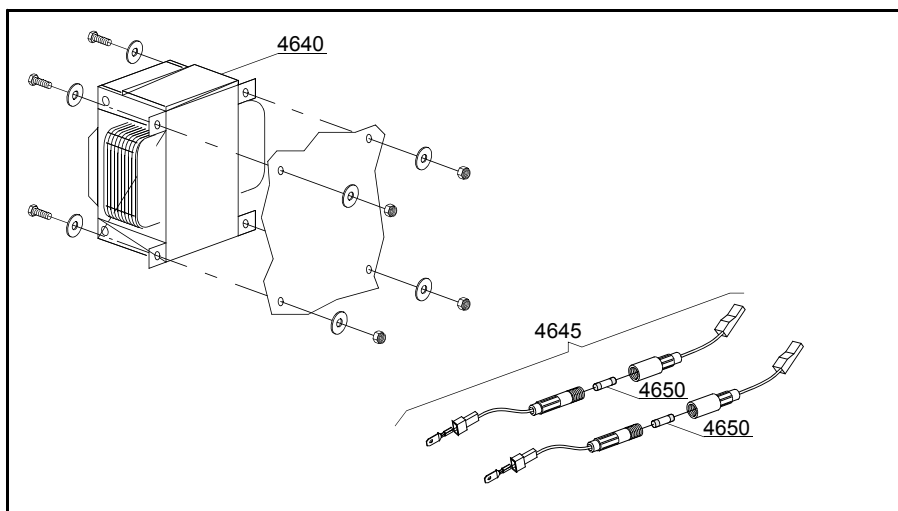
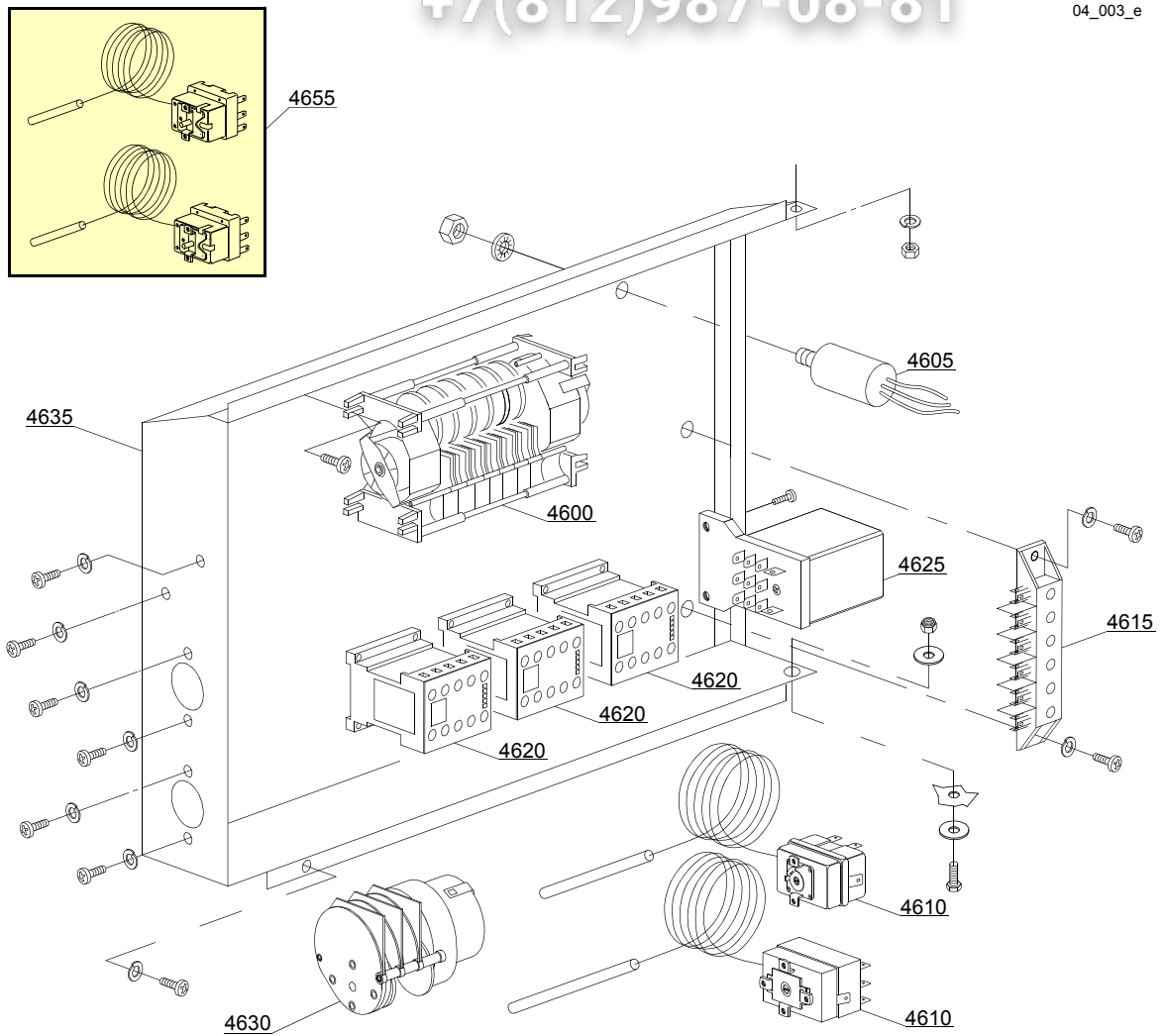
| ID | P-code | SN from | SN to | Mod | Acces. | Volt | Description |
|---|---------|---------|-------|-----|--------|------|-------------------------------------|
| Module: Control panel and switches | | | | | | | |
| 44000 | 560966 | | - | em | | | Control panel |
| 44005 | 89342 | | - | em | cr | | Time selector switch push button |
| 44010 | 89343 | | - | em | dp | | Drain pump push button (OPTIONAL) |
| 44015 | 89341 | | - | em | | | START push button |
| 44020 | 89348 | | - | em | | | Blind push button |
| 44025 | 89340 | | - | em | | | ON-OFF push button |
| 44030 | 89345 | | - | em | ws | | Regeneration push button (OPTIONAL) |
| 44035 | 86006 | | - | em | | | OR 2100 O-ring |
| 44040 | 86001 | | - | em | | | Push button support |
| 44040 | 86002 | | - | em | | | Temperature push button support |
| 44045 | 15844 | | - | em | | | Push button support |
| 44050 | 15813 | | - | em | | | 16A unipolar switch |
| 44055 | 15812 | | - | em | | | 16A bipolar switch |
| 44055 | 15800 | | - | em | | | 16A switch |
| 44060 | 15811 | | - | em | | | 16A bipolar switch |
| 44060 | 15811/A | | - | em | | | 16A bipolar switch |
| 44065 | 15826 | | - | em | | | Pilot light 220V |

em=ELECTROMECHANICAL SWITCHES, uw=LOWER AND UPPER WASHING, i=INSULATED MODEL

LUX60=LUX60

bt=BREAK TANK, bp=BOOSTER PUMP, dvgw=DVGW, cr=COLD RINSE, ws=WATER SOFTNER, dd=DETERGENT DISPENSER, dp=DRAIN PUMP

A=3/N/PE~380-400V 50-60Hz, D=3/PE~200-210V 50-60Hz, F=2/PE~220-240V 50-60Hz, G=3/N/PE~415V 50-60Hz, H=3/PE~220-230V 50-60Hz, K=3/PE~380-400V 50-60Hz, L=3/PE~415V 50-60Hz, M=3/PE~440V 60Hz, P=1/N/PE~220-230V 50-60Hz, R=2/PE~220-240V 50-60Hz, U=1/N/PE~240V 50-60Hz, V=3/PE~240V 50-60Hz, W=1/N/PE~100-110V 50-60Hz



| ID | P-code | SN from | SN to | Mod. | Acces. | Volt | Description |
|--|----------|---------|-------|------|--------|------|--|
| Module: Electric control components | | | | | | | |
| 4600 | 10300123 | | - | i | | A | 90/180" timer - 230Vac 50Hz |
| 4600 | 30001028 | | - | i | | | 120/180" timer - 230Vac 60Hz |
| 4600 | 22011/A | | - | i | | A | 120/240" timer - 200Vac 50Hz |
| 4600 | 30001031 | | - | i | | A | 120/180" timer with thermostop - 230Vac 50Hz |
| 4600 | 30001032 | | - | i | | | 120/180" - 230V 60Hz timer with thermostop |
| 4600 | 30001030 | | - | i | | | 120/240" timer with thermostop - 230Vac 50Hz |
| 4605 | 15146 | | - | i | | | Low noise filter |
| 4605 | 15149 | | - | i | | | Low noise filter |
| 4605 | 15187 | | - | i | | | Low noise filter |
| 4610 | 10707/1 | | - | i | | | 0-90°C thermostat |
| 4615 | 500551 | | - | i | | | 6 poles terminal board |
| 4620 | 15086 | | - | i | | | Contactora 230V 50/60Hz 4C |
| 4620 | 15086/B | | - | i | | | Contactora 240V 50Hz |
| 4620 | 15086/T | | - | i | | | 200Vac3N 50/60HZ contactor |
| 4625 | 16047 | | - | i | | | 16A tripolar relay - 230Vac 50/60Hz |
| 4625 | 15620 | | - | i | ws | | 16A bipolar relay in deviation |
| 4630 | 16064/A | | - | i | ws | | Regeneration timer |
| 4635 | 560921 | | - | i | | | Electric components panel |
| 4640 | 15381 | | - | i | | | 160Va transformer 0-230-400-415-440/230V |
| 4645 | 15147 | | - | i | | | Fuse-holder |
| 4650 | 15163 | | - | i | | | Fuse (minimum 5 pieces) |
| 4651 | 50553 | | - | i | | | 3 times electronic timer with regeneration |

em=ELECTROMECHANICAL SWITCHES, uw=LOWER AND UPPER WASHING, i=INSULATED MODEL

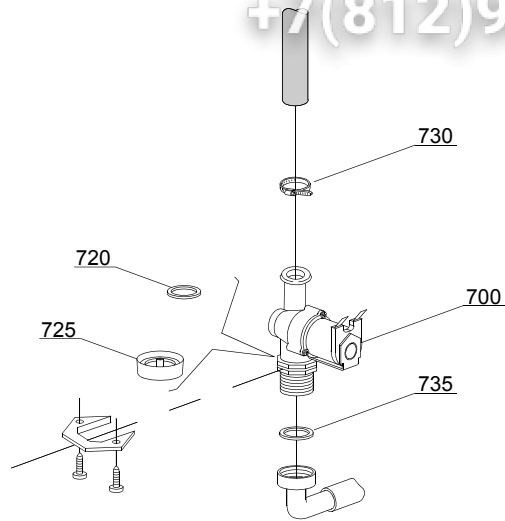
LUX60=LUX60

bt=BREAK TANK, bp=BOOSTER PUMP, dvgw=DVGW, cr=COLD RINSE, ws=WATER SOFTNER, dd=DETERGENT DISPENSER, dp=DRAIN PUMP

A=3/N/PE~380-400V 50-60Hz, D=3/PE~200-210V 50-60Hz, F=2/PE~220-240V 50-60Hz, G=3/N/PE~415V 50-60Hz, H=3/PE~220-230V 50-60Hz, K=3/PE~380-400V 50-60Hz, L=3/PE~415V 50-60Hz, M=3/PE~440V 60Hz, P=1/N/PE~220-230V 50-60Hz, R=2/PE~220-240V 50-60Hz, U=1/N/PE~240V 50-60Hz, V=3/PE~240V 50-60Hz, W=1/N/PE~100-110V 50-60Hz

vsezip.ru

+7(812)987-08-81



05_002_e

| ID | P-code | SN from | SN to | Mod. | Acces. | Volt | Description |
|------------------------------------|--------|---------|-------|------|--------|------|--------------------------------|
| Module:Solenoid valve group | | | | | | | |
| 700 | 10703 | | - | i,em | | | Single solenoid valve - 230Vac |
| 720 | N.C. | | - | i,em | | | Pression reducing valve |
| 730 | 11807 | | - | i,em | | | 12/22 clamp (minimum 3 pieces) |
| 735 | 13307 | | - | i,em | | | 3/4 gasket |

em=ELECTROMECHANICAL SWITCHES, uw=LOWER AND UPPER WASHING, i=INSULATED MODEL

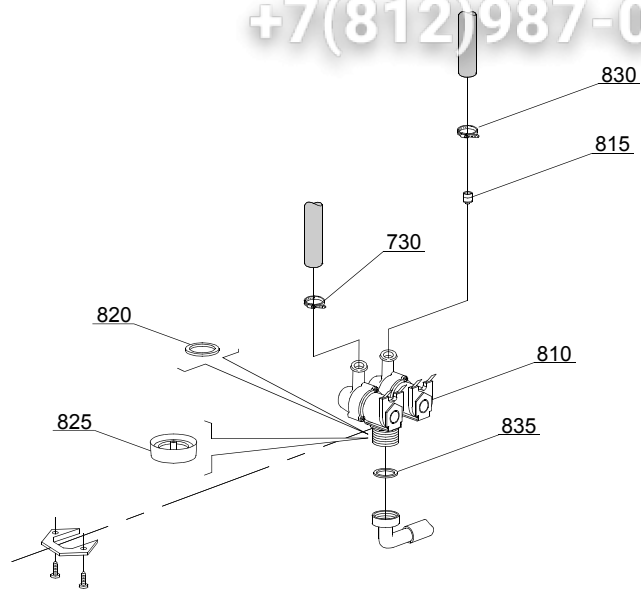
LUX60=LUX60

bt=BREAK TANK, bp=BOOSTER PUMP, dvgw=DVGW, cr=COLD RINSE, ws=WATER SOFTNER, dd=DETERGENT DISPENSER, dp=DRAIN PUMP

A=3/N/PE~380-400V 50-60Hz, D=3/PE~200-210V 50-60Hz, F=2/PE~220-240V 50-60Hz, G=3/N/PE~415V 50-60Hz, H=3/PE~220-230V 50-60Hz, K=3/PE~380-400V 50-60Hz, L=3/PE~415V 50-60Hz, M=3/PE~440V 60Hz, P=1/N/PE~220-230V 50-60Hz, R=2/PE~220-240V 50-60Hz, U=1/N/PE~240V 50-60Hz, V=3/PE~240V 50-60Hz, W=1/N/PE~100-110V 50-60Hz

vsezip.ru

+7(812)987-08-81



05_003_€

vsezip.ru

| ID | P-code | SN from | SN to | Mod. | Acces. | Volt | Description |
|------------------------------------|--------|---------|-------|------|--------|------|---|
| Module:Solenoid valve group | | | | | | | |
| 810 | 15098 | | - | i,em | cr,ws | | Double solenoid valve - Ø10 - 230Vac |
| 815 | 15115 | | - | i,em | cr,ws | | Green pression solenoid valve for regeneration (minimum 2 pieces) |
| 820 | N.C. | | - | i,em | cr,ws | | Pression reducing valve |
| 830 | 11807 | | - | i,em | | | 12/22 clamp (minimum 3 pieces) |
| 835 | 13307 | | - | i,em | | | 3/4 gasket |

em=ELECTROMECHANICAL SWITCHES, uw=LOWER AND UPPER WASHING, i=INSULATED MODEL

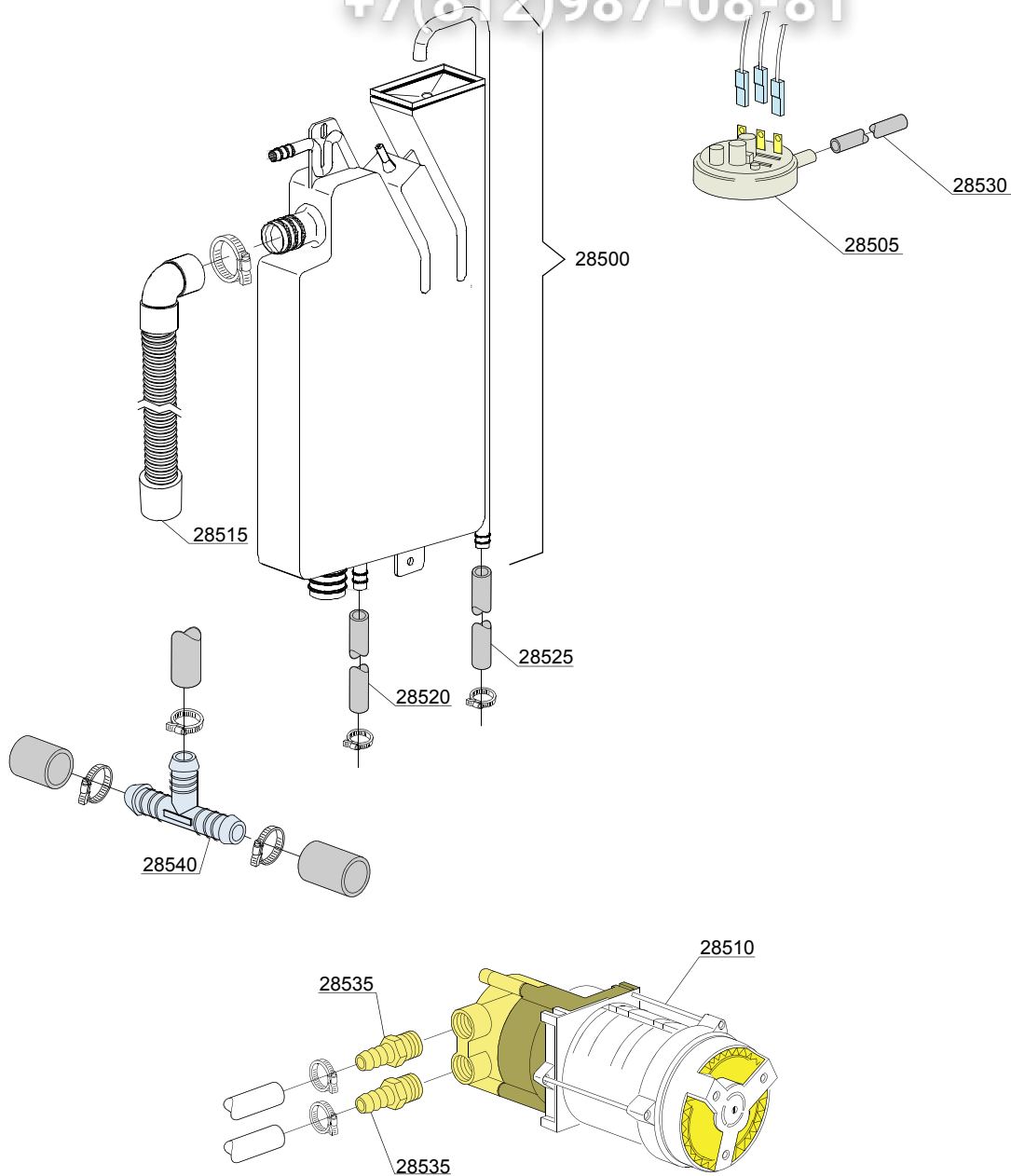
LUX60=LUX60

bt=BREAK TANK, bp=BOOSTER PUMP, dvgw=DVGW, cr=COLD RINSE, ws=WATER SOFTNER, dd=DETERGENT DISPENSER, dp=DRAIN PUMP

A=3/N/PE~380-400V 50-60Hz, D=3/PE~200-210V 50-60Hz, F=2/PE~220-240V 50-60Hz, G=3/N/PE~415V 50-60Hz, H=3/PE~220-230V 50-60Hz, K=3/PE~380-400V 50-60Hz, L=3/PE~415V 50-60Hz, M=3/PE~440V 60Hz, P=1/N/PE~220-230V 50-60Hz, R=2/PE~220-240V 50-60Hz, U=1/N/PE~240V 50-60Hz, V=3/PE~240V 50-60Hz, W=1/N/PE~100-110V 50-60Hz

vsezip.ru

+7(812)987-08-81



06_004pe

vsezip.ru

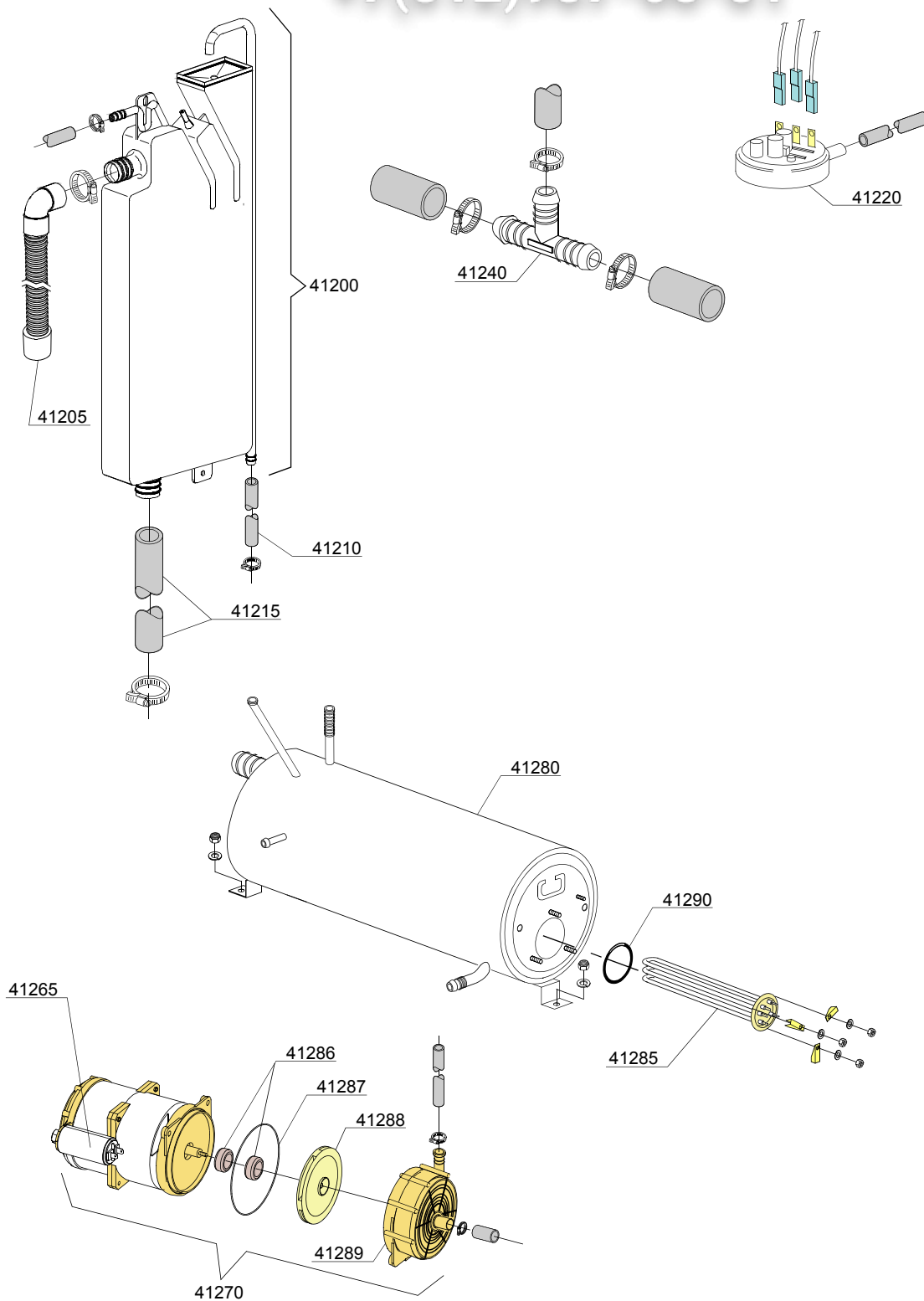
| ID | P-code | SN from | SN to | Mod | Acces. | Volt | Description |
|--------------------------|----------|---------|-------|------|--------|------|---|
| Module:Break Tank | | | | | | | |
| 28500 | 15735 | | - | i,em | bt | | Break tank assembly |
| 28505 | 10706/A | | - | i,em | bt | | 47-27 pressure switch |
| 28510 | 15100/D | | - | i,em | bt | | Booster pump 220/240V - body pumps in brass |
| 28515 | 15722 | | - | i,em | bt | | BT middle pipe L=920 |
| 28520 | 2907350 | | - | i,em | bt | | 12x20 EPDM rubber hose |
| 28525 | 2907352 | | - | i,em | bt | | PVC WRAS rubber hose |
| 28530 | 14508 | | - | i,em | bt | | 4,5x9 EPDM rubber hose (minimum 2 mt) |
| 28535 | 10221311 | | - | i,em | bt | | Rubber holder Ø 12 3/8G |
| 28540 | 540098 | | - | i,em | bt | | 3 ways D25 |

em=ELECTROMECHANICAL SWITCHES, uw=LOWER AND UPPER WASHING, i=INSULATED MODEL
LUX60=LUX60

bt=BREAK TANK, bp=BOOSTER PUMP, dvgw=DVGW, cr=COLD RINSE, ws=WATER SOFTNER, dd=DETERGENT DISPENSER, dp=DRAIN PUMP

A=3/N/PE~380-400V 50-60Hz, D=3/PE~200-210V 50-60Hz, F=2/PE~220-240V 50-60Hz, G=3/N/PE~415V 50-60Hz, H=3/PE~220-230V 50-60Hz, K=3/PE~380-400V 50-60Hz, L=3/PE~415V 50-60Hz, M=3/PE~440V 60Hz, P=1/N/PE~220-230V 50-60Hz, R=2/PE~220-240V 50-60Hz, U=1/N/PE~240V 50-60Hz, V=3/PE~240V 50-60Hz, W=1/N/PE~100-110V 50-60Hz

06_006pe



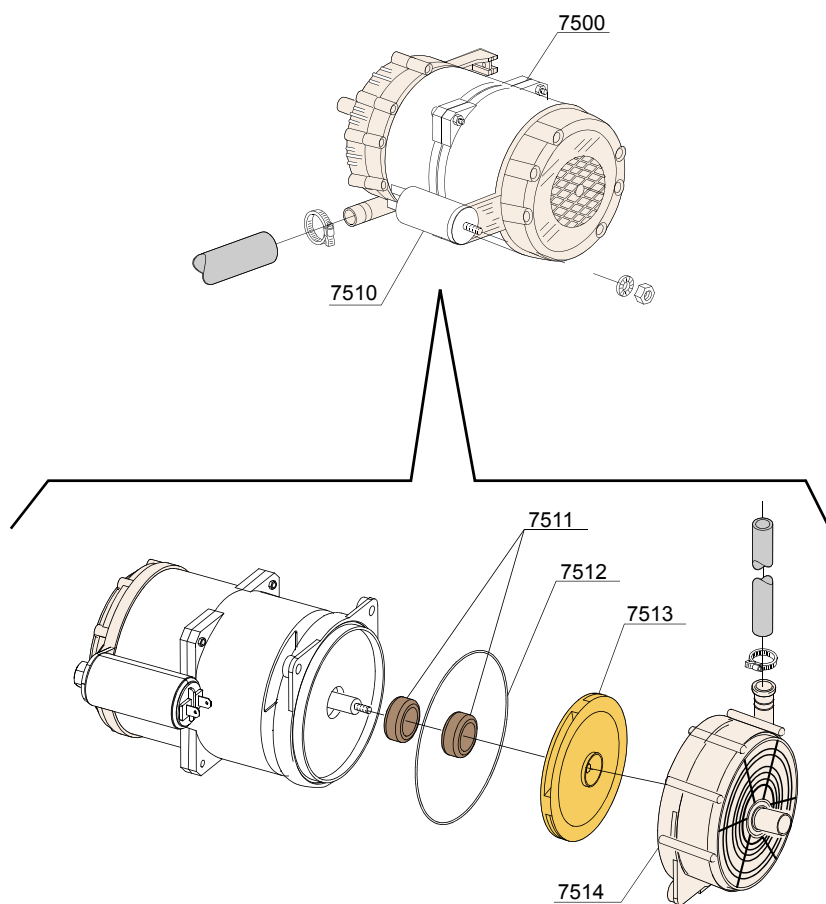
| ID | P-code | SN from | SN to | Mod | Acces. | Volt | Description |
|--|----------|---------|-------|------|--------|------|--------------------------------------|
| Module: Rinse with steady temperature | | | | | | | |
| 41200 | 15735 | | - | i,em | | | Break tank assembly |
| 41205 | 15721 | | - | i,em | | | BT middle pipe L=920 |
| 41210 | 2907352 | | - | i,em | | | PVC WRAS rubber hose |
| 41215 | x | | - | i,em | | | Pipe coupling |
| 41220 | 10706/A | | - | i,em | | | 47-27 pressure switch |
| 41240 | 540098 | | - | i,em | | | 3 ways D25 |
| 41265 | 10702 | | - | i,em | | | 5 uF condenser |
| 41270 | 15100/DO | | - | i,em | | | Rinsing pump |
| 41275 | 10718 | | - | i,em | | | Pump pipe coupling |
| 41280 | 560062 | | - | i,em | | | Boiler |
| 41285 | 15089 | | - | i,em | | | Boiler Element 4,5KW 230 / 240 VaC 3 |
| 41285 | 15089/B | | - | i,em | | | Boiler Element 4,5KW 240 /440 V |
| 41285 | 15089/E | | - | i,em | | | Boiler Element 6KW 230 / 240 VaC 3 |
| 41286 | 15100/S | | - | i,em | | | Rotating seals |
| 41287 | 15100/T | | - | i,em | | | OR (O-ring) gasket EPDM |
| 41288 | 15100/U | | - | i,em | | | Pump rotor |
| 41289 | 15100/V | | - | i,em | | | Scroll |
| 41290 | 13015 | | - | i,em | | | OR (O-ring) 6225 gasket 160 NBR |

em=ELECTROMECHANICAL SWITCHES, uw=LOWER AND UPPER WASHING, i=INSULATED MODEL

LUX60=LUX60

bt=BREAK TANK, bp=BOOSTER PUMP, dvgw=DVGW, cr=COLD RINSE, ws=WATER SOFTNER, dd=DETERGENT DISPENSER, dp=DRAIN PUMP

A=3/N/PE~380-400V 50-60Hz, D=3/PE~200-210V 50-60Hz, F=2/PE~220-240V 50-60Hz, G=3/N/PE~415V 50-60Hz, H=3/PE~220-230V 50-60Hz, K=3/PE~380-400V 50-60Hz, L=3/PE~415V 50-60Hz, M=3/PE~440V 60Hz, P=1/N/PE~220-230V 50-60Hz, R=2/PE~220-240V 50-60Hz, U=1/N/PE~240V 50-60Hz, V=3/PE~240V 50-60Hz, W=1/N/PE~100-110V 50-60Hz



VERSIONE PLUS
SYSTEM PLUS VERSION
VERSION SYSTEME PLUS

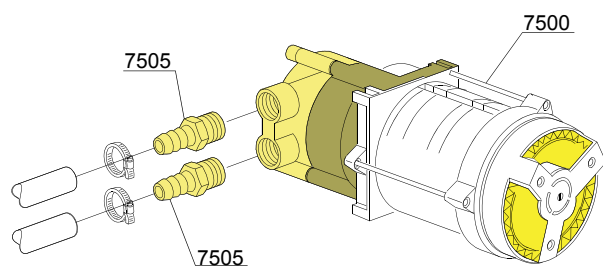
| ID | P-code | SN from | SN to | Mod. | Acces. | Volt | Description |
|----------------------------|----------|---------|-------|------|--------|------|---|
| Module:Booster pump | | | | | | | |
| 7500 | 15100/DO | | - | i,em | bp | | Booster pump 220/240V - body pumps in plastic |
| 7510 | 10702 | | - | i,em | bp | | 5 uF condenser - 450V |
| 7511 | 15100/S | | | i,em | bp | | Rotating seals |
| 7512 | 15100/T | | | i,em | bp | | OR (O-ring) gasket EPDM |
| 7513 | 15100/U | | | i,em | bp | | Pump rotor |
| 7514 | 15100/V | | | i,em | bp | | Scroll |

em=ELECTROMECHANICAL SWITCHES, uw=LOWER AND UPPER WASHING, i=INSULATED MODEL

LUX60=LUX60

bt=BREAK TANK, bp=BOOSTER PUMP, dvgw=DVGW, cr=COLD RINSE, ws=WATER SOFTNER, dd=DETERGENT DISPENSER, dp=DRAIN PUMP

A=3/N/PE~380-400V 50-60Hz, D=3/PE~200-210V 50-60Hz, F=2/PE~220-240V 50-60Hz, G=3/N/PE~415V 50-60Hz, H=3/PE~220-230V 50-60Hz, K=3/PE~380-400V 50-60Hz, L=3/PE~415V 50-60Hz, M=3/PE~440V 60Hz, P=1/N/PE~220-230V 50-60Hz, R=2/PE~220-240V 50-60Hz, U=1/N/PE~240V 50-60Hz, V=3/PE~240V 50-60Hz, W=1/N/PE~100-110V 50-60Hz



VERSIONE STANDARD / VERSIONE POMPA AUM. PRESSIONE
STANDARD VERSION / BOOSTER PUMP VERSION
VERSION STANDARD / VERSION POMPE AUGMENT. PRESSION

vsezip.ru

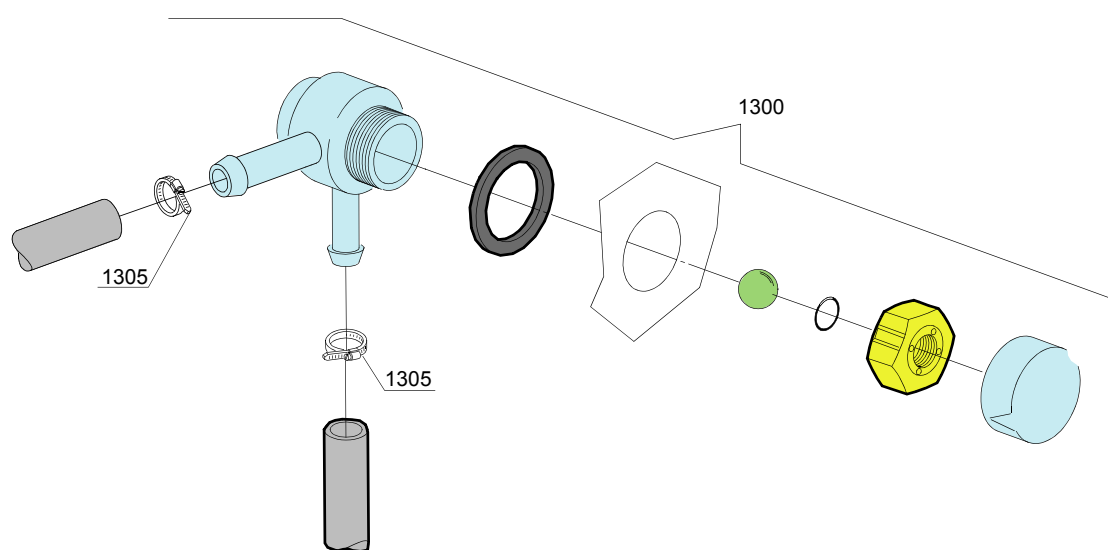
| ID | P-code | SN from | SN to | Mod. | Acces. | Volt | Description |
|----------------------------|----------|---------|-------|------|--------|------|---|
| Module:Booster pump | | | | | | | |
| 7500 | 15100/D | | - | i,em | bp | | Booster pump 220/240V - body pumps in plastic |
| 7505 | 10221311 | | - | i,em | bp | | Rubber holder Ø 12 3/8G |

em=ELECTROMECHANICAL SWITCHES, uw=LOWER AND UPPER WASHING, i=INSULATED MODEL

LUX60=LUX60

bt=BREAK TANK, bp=BOOSTER PUMP, dvgw=DVGW, cr=COLD RINSE, ws=WATER SOFTNER, dd=DETERGENT DISPENSER, dp=DRAIN PUMP

A=3/N/PE~380-400V 50-60Hz, D=3/PE~200-210V 50-60Hz, F=2/PE~220-240V 50-60Hz, G=3/N/PE~415V 50-60Hz, H=3/PE~220-230V 50-60Hz, K=3/PE~380-400V 50-60Hz, L=3/PE~415V 50-60Hz, M=3/PE~440V 60Hz, P=1/N/PE~220-230V 50-60Hz, R=2/PE~220-240V 50-60Hz, U=1/N/PE~240V 50-60Hz, V=3/PE~240V 50-60Hz, W=1/N/PE~100-110V 50-60Hz



vsezip.ru

| ID | P-code | SN from | SN to | Mod | Acces. | Volt | Description |
|--------------------|----------|---------|-------|------|--------|------|--------------------------------|
| Module:DVGW | | | | | | | |
| 1300 | 99900006 | | - | i,em | dvgw | | DVGW assembly |
| 1305 | 11807 | | - | i,em | dvgw | | 12/22 clamp (minimum 3 pieces) |

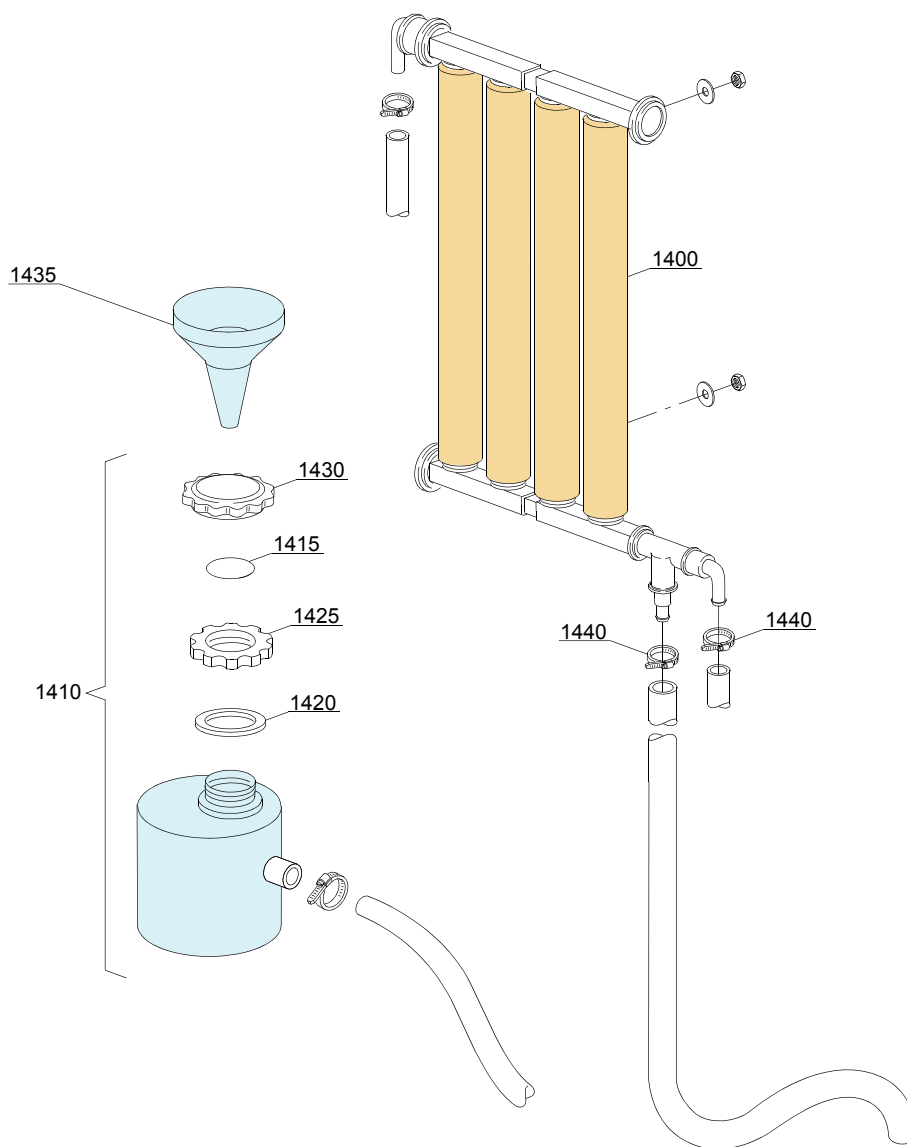
em=ELECTROMECHANICAL SWITCHES, uw=LOWER AND UPPER WASHING, i=INSULATED MODEL

LUX60=LUX60

bt=BREAK TANK, bp=BOOSTER PUMP, dvgw=DVGW, cr=COLD RINSE, ws=WATER SOFTNER, dd=DETERGENT DISPENSER, dp=DRAIN PUMP

A=3/N/PE~380-400V 50-60Hz, D=3/PE~200-210V 50-60Hz, F=2/PE~220-240V 50-60Hz, G=3/N/PE~415V 50-60Hz, H=3/PE~220-230V 50-60Hz, K=3/PE~380-400V 50-60Hz, L=3/PE~415V 50-60Hz, M=3/PE~440V 60Hz, P=1/N/PE~220-230V 50-60Hz, R=2/PE~220-240V 50-60Hz, U=1/N/PE~240V 50-60Hz, V=3/PE~240V 50-60Hz, W=1/N/PE~100-110V 50-60Hz

09_001_e



vsezip.ru

| ID | P-code | SN from | SN to | Mod. | Acces. | Volt | Description |
|------------------------------------|---------|---------|-------|------|--------|------|--------------------------------|
| Module: Water softner group | | | | | | | |
| 1400 | 16066 | | - | em | ws | | 4 elements water softner |
| 1410 | 16065 | | - | em | ws | | Salt container |
| 1415 | 16067/A | | - | em | ws | | OR O-ring |
| 1420 | 16067/B | | - | em | ws | | O-ring |
| 1425 | 16067/C | | - | em | ws | | Ring nut |
| 1430 | 16067/D | | - | em | ws | | Plug |
| 1435 | 16082 | | - | em | ws | | Funnel |
| 1440 | 11807 | | - | em | ws | | 12/22 clamp (minimum 3 pieces) |

em=ELECTROMECHANICAL SWITCHES, uw=LOWER AND UPPER WASHING, i=INSULATED MODEL

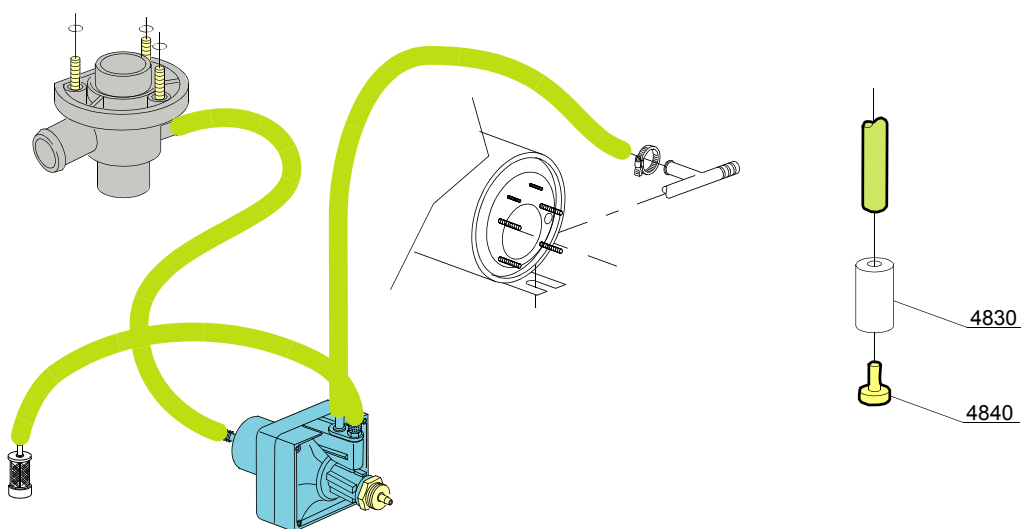
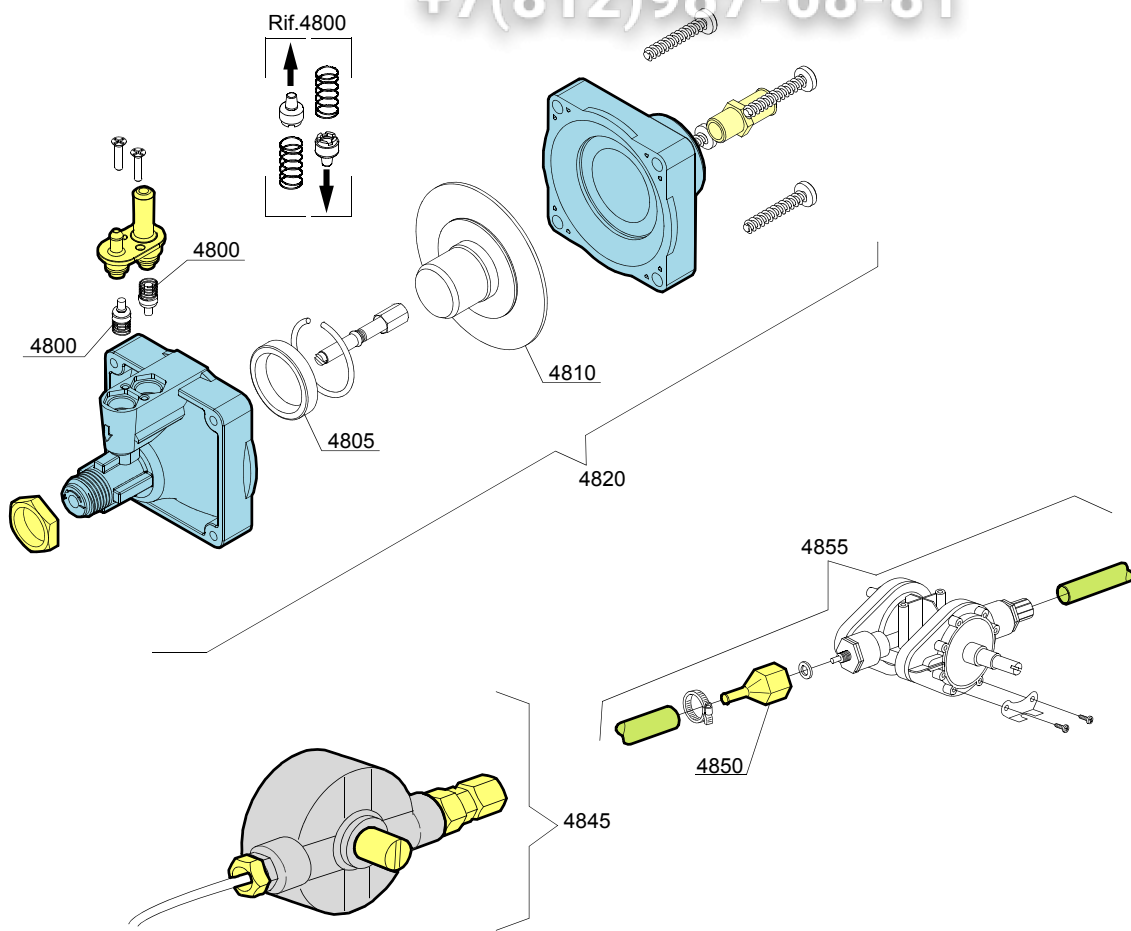
LUX60=LUX60

bt=BREAK TANK, bp=BOOSTER PUMP, dvgw=DVGW, cr=COLD RINSE, ws=WATER SOFTNER, dd=DETERGENT DISPENSER, dp=DRAIN PUMP

A=3/N/PE~380-400V 50-60Hz, D=3/PE~200-210V 50-60Hz, F=2/PE~220-240V 50-60Hz, G=3/N/PE~415V 50-60Hz, H=3/PE~220-230V 50-60Hz, K=3/PE~380-400V 50-60Hz, L=3/PE~415V 50-60Hz, M=3/PE~440V 60Hz, P=1/N/PE~220-230V 50-60Hz, R=2/PE~220-240V 50-60Hz, U=1/N/PE~240V 50-60Hz, V=3/PE~240V 50-60Hz, W=1/N/PE~100-110V 50-60Hz

vsezip.ru

+7(812)987-08-81



10_004_e

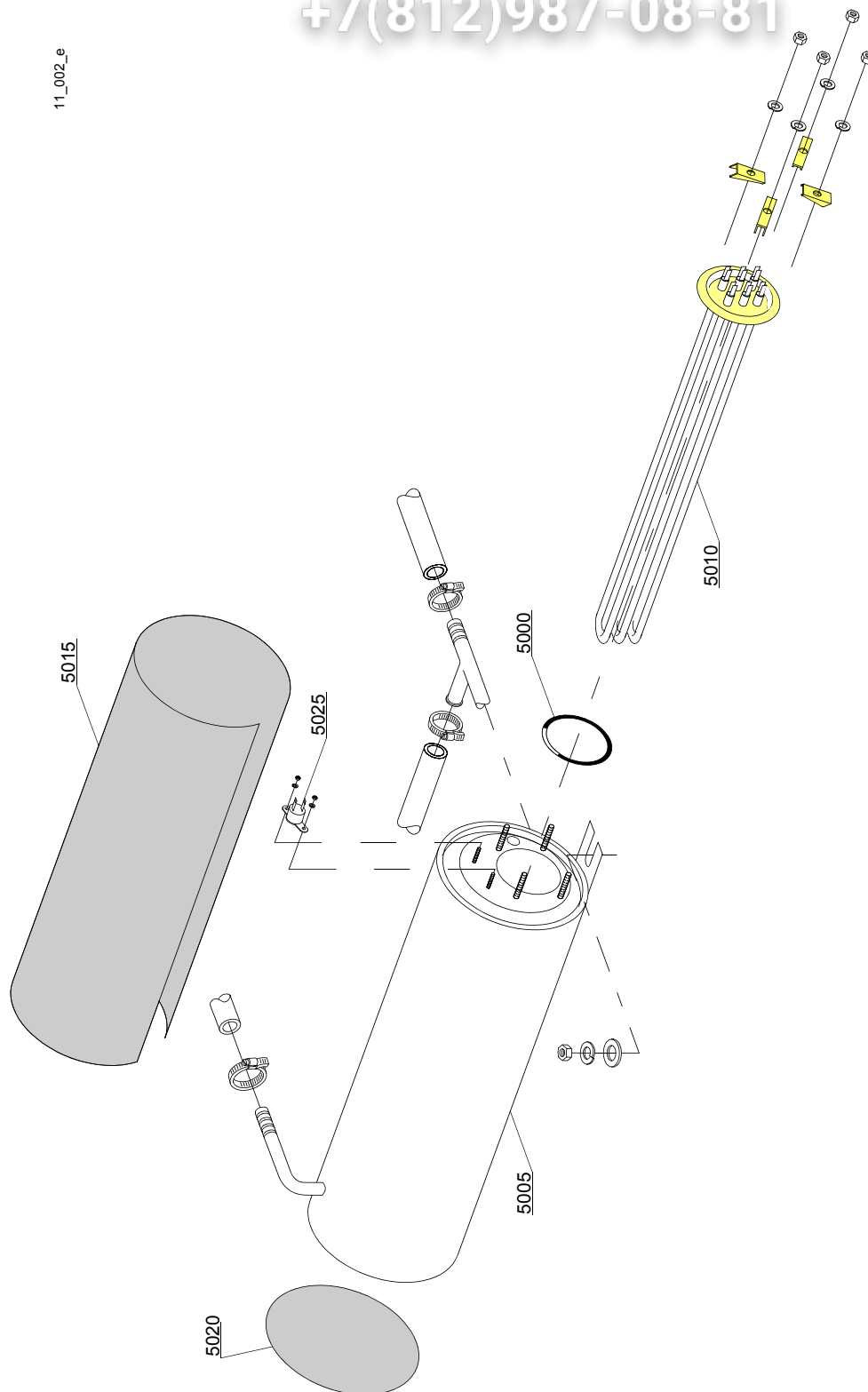
| ID | P-code | SN from | SN to | Mod | Acces. | Volt | Description |
|--|---------|---------|-------|-----|--------|------|---------------------------------|
| Module: Rinse aid dispenser group | | | | | | | |
| 4800 | 10805 | | - | em | | | Tecnopro non return valve |
| 4805 | 10806 | | - | em | | | Ø22 O-ring |
| 4810 | 10807 | | - | em | | | Membrane |
| 4820 | 10799 | | - | em | | | TECNO PRO rinse aid dispenser |
| 4830 | 12525 | | - | em | | | Ballast |
| 4840 | 15058 | | - | em | | | Small filter (minimum 3 pieces) |
| 4845 | 10799/G | | - | em | | | GERMAC rinse aid dispenser |
| 4850 | 10798/B | | - | em | | | Brass pipe fitting |
| 4855 | 10798 | | - | em | | | LANG rinse aid dispenser |

em=ELECTROMECHANICAL SWITCHES, uw=LOWER AND UPPER WASHING, i=INSULATED MODEL
LUX60=LUX60

bt=BREAK TANK, bp=BOOSTER PUMP, dvgw=DVGW, cr=COLD RINSE, ws=WATER SOFTNER, dd=DETERGENT DISPENSER, dp=DRAIN PUMP

A=3/N/PE~380-400V 50-60Hz, D=3/PE~200-210V 50-60Hz, F=2/PE~220-240V 50-60Hz, G=3/N/PE~415V 50-60Hz, H=3/PE~220-230V 50-60Hz, K=3/PE~380-400V 50-60Hz, L=3/PE~415V 50-60Hz, M=3/PE~440V 60Hz, P=1/N/PE~220-230V 50-60Hz, R=2/PE~220-240V 50-60Hz, U=1/N/PE~240V 50-60Hz, V=3/PE~240V 50-60Hz, W=1/N/PE~100-110V 50-60Hz

11_002_e



| ID | P-code | SN from | SN to | Mod | Acces. | Volt | Description |
|----------------------------|---------|---------|-------|------|--------|------|---------------------------------------|
| Module:Boiler group | | | | | | | |
| 5000 | 13005 | | - | i,em | | | OR 151 NBR O-ring (minimum 5 pieces) |
| 5005 | 150905 | | - | i,em | | | Boiler |
| 5005 | 150917 | | - | i,em | | | AISI 314 boiler |
| 5010 | 15089 | | - | i,em | | | 4,5/4,9KW 230/240V 3 heating element |
| 5010 | 15089/B | | - | i,em | | | 4,5KW heating element - 254/440Vac |
| 5010 | 15089/E | | - | i,em | | | 6/6,53KW - 230/240V 3 heating element |
| 5015 | 15066 | | - | i,em | | | Insulation boiler |
| 5020 | 15205 | | - | i,em | | | Ø160 End piece (minimum 2 pieces) |
| 5025 | 15550 | | - | i,em | | | Safety thermostat |

em=ELECTROMECHANICAL SWITCHES, uw=LOWER AND UPPER WASHING, i=INSULATED MODEL

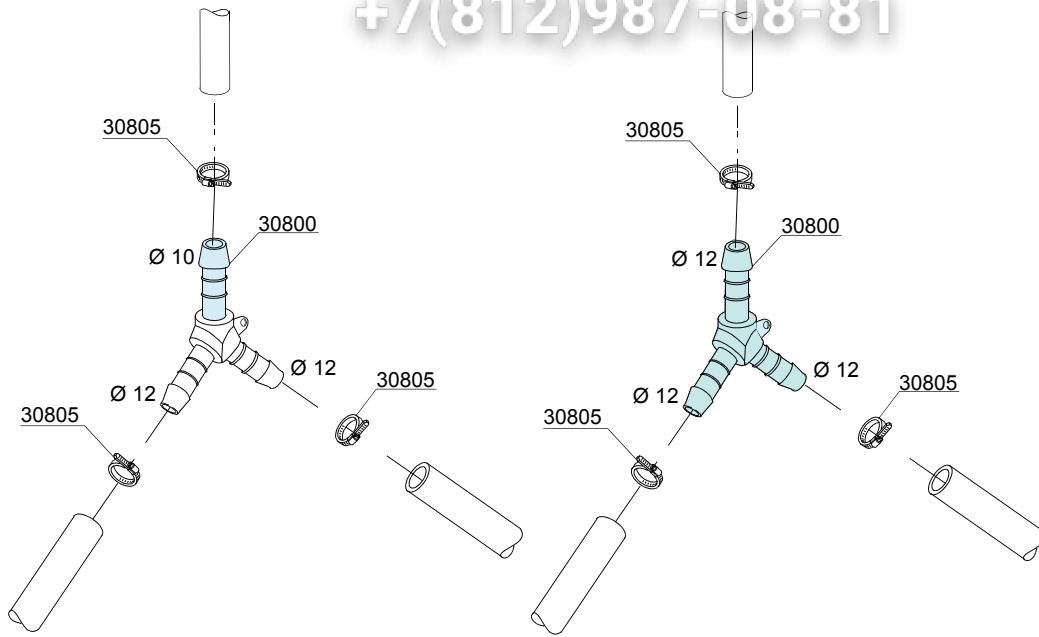
LUX60=LUX60

bt=BREAK TANK, bp=BOOSTER PUMP, dvgw=DVGW, cr=COLD RINSE, ws=WATER SOFTNER, dd=DETERGENT DISPENSER, dp=DRAIN PUMP

A=3/N/PE~380-400V 50-60Hz, D=3/PE~200-210V 50-60Hz, F=2/PE~220-240V 50-60Hz, G=3/N/PE~415V 50-60Hz, H=3/PE~220-230V 50-60Hz, K=3/PE~380-400V 50-60Hz, L=3/PE~415V 50-60Hz, M=3/PE~440V 60Hz, P=1/N/PE~220-230V 50-60Hz, R=2/PE~220-240V 50-60Hz, U=1/N/PE~240V 50-60Hz, V=3/PE~240V 50-60Hz, W=1/N/PE~100-110V 50-60Hz

vsezip.ru

+7(812)987-08-81



12_003ae

vsezip.ru

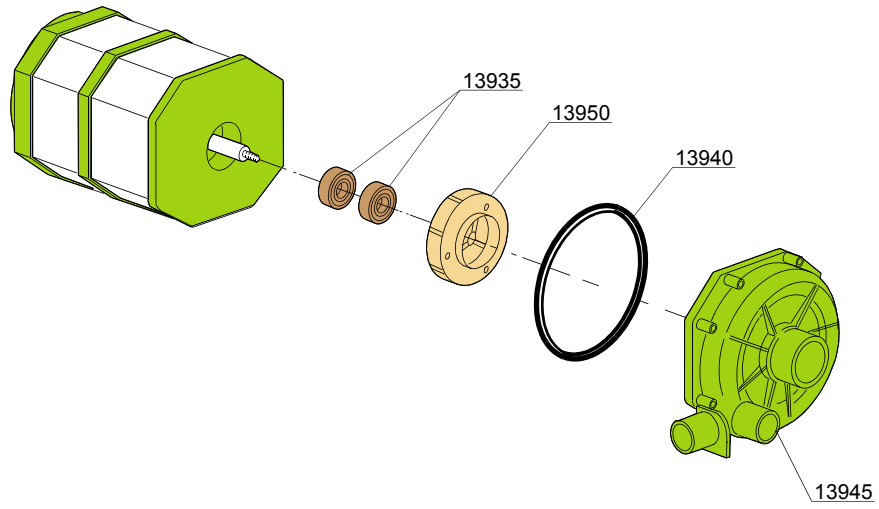
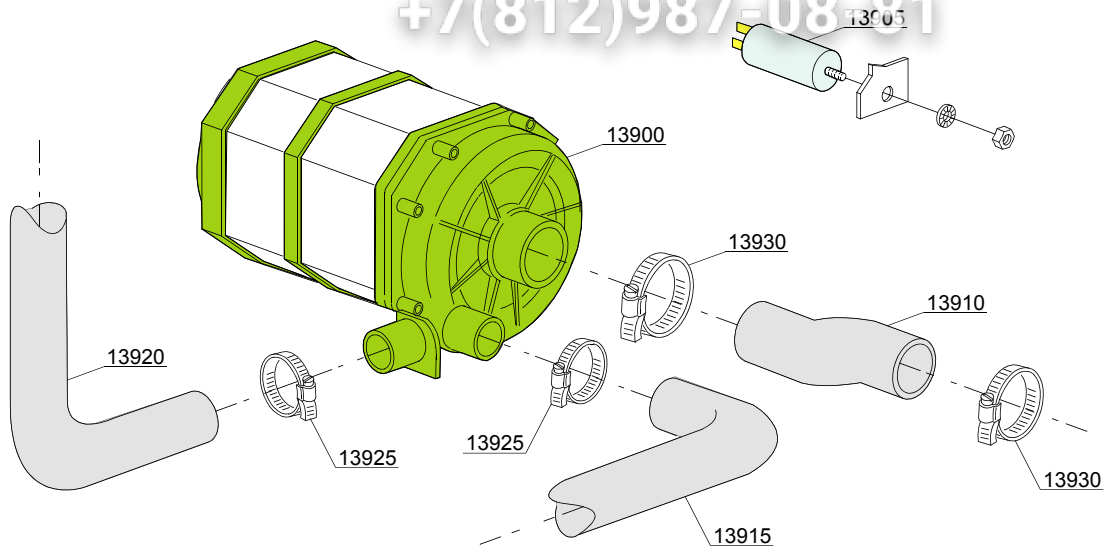
| ID | P-code | SN from | SN to | Mod. | Acces. | Volt | Description |
|---------------------------------|--------|---------|-------|------|--------|------|----------------------------------|
| Module:3 ways connection | | | | | | | |
| 30800 | 540091 | | - | i,em | | | Ø12 mm plastic 3 ways connection |
| 30805 | 11807 | | - | i,em | | | 12/22 clamp (minimum 3 pieces) |

em=ELECTROMECHANICAL SWITCHES, uw=LOWER AND UPPER WASHING, i=INSULATED MODEL

LUX60=LUX60

bt=BREAK TANK, bp=BOOSTER PUMP, dvgw=DVGW, cr=COLD RINSE, ws=WATER SOFTNER, dd=DETERGENT DISPENSER, dp=DRAIN PUMP

A=3/N/PE~380-400V 50-60Hz, D=3/PE~200-210V 50-60Hz, F=2/PE~220-240V 50-60Hz, G=3/N/PE~415V 50-60Hz, H=3/PE~220-230V 50-60Hz, K=3/PE~380-400V 50-60Hz, L=3/PE~415V 50-60Hz, M=3/PE~440V 60Hz, P=1/N/PE~220-230V 50-60Hz, R=2/PE~220-240V 50-60Hz, U=1/N/PE~240V 50-60Hz, V=3/PE~240V 50-60Hz, W=1/N/PE~100-110V 50-60Hz



13_110_e

vsezip.ru

| ID | P-code | SN from | SN to | Mod | Acces | Volt | Description |
|--------------------------|----------|---------|-------|-----|-------|------|-----------------------------------|
| Module: Wash pump | | | | | | | |
| 13900 | 150914 | | - | uw | | | 0,70Hp wash pump - 230Vac 50Hz |
| 13900 | 150915 | | - | uw | | | 0,70Hp wash pump - 230Vac 60Hz |
| 13905 | 15081 | | - | uw | | | 12,5 uF condenser |
| 13910 | 25032/A | | - | uw | | | Suction pipe coupling |
| 13915 | 150049 | | - | uw | | | Lower wash pipe coupling |
| 13920 | 150048/A | | - | uw | | | Wash ramp |
| 13925 | 11806 | | - | uw | | | 25/40 clamp (minimum 2 pieces) |
| 13930 | 11809 | | - | uw | | | 30/45 clamp (minimum 2 pieces) |
| 13935 | 15080 | | - | uw | | | Rotating seals |
| 13940 | 7130 | | - | uw | | | OR pump O-ring (minimum 2 pieces) |
| 13945 | 16182 | | - | uw | | | Scroll |
| 13950 | 15079/F | | - | uw | | | Pump rotor |

em=ELECTROMECHANICAL SWITCHES, uw=LOWER AND UPPER WASHING, i=INSULATED MODEL

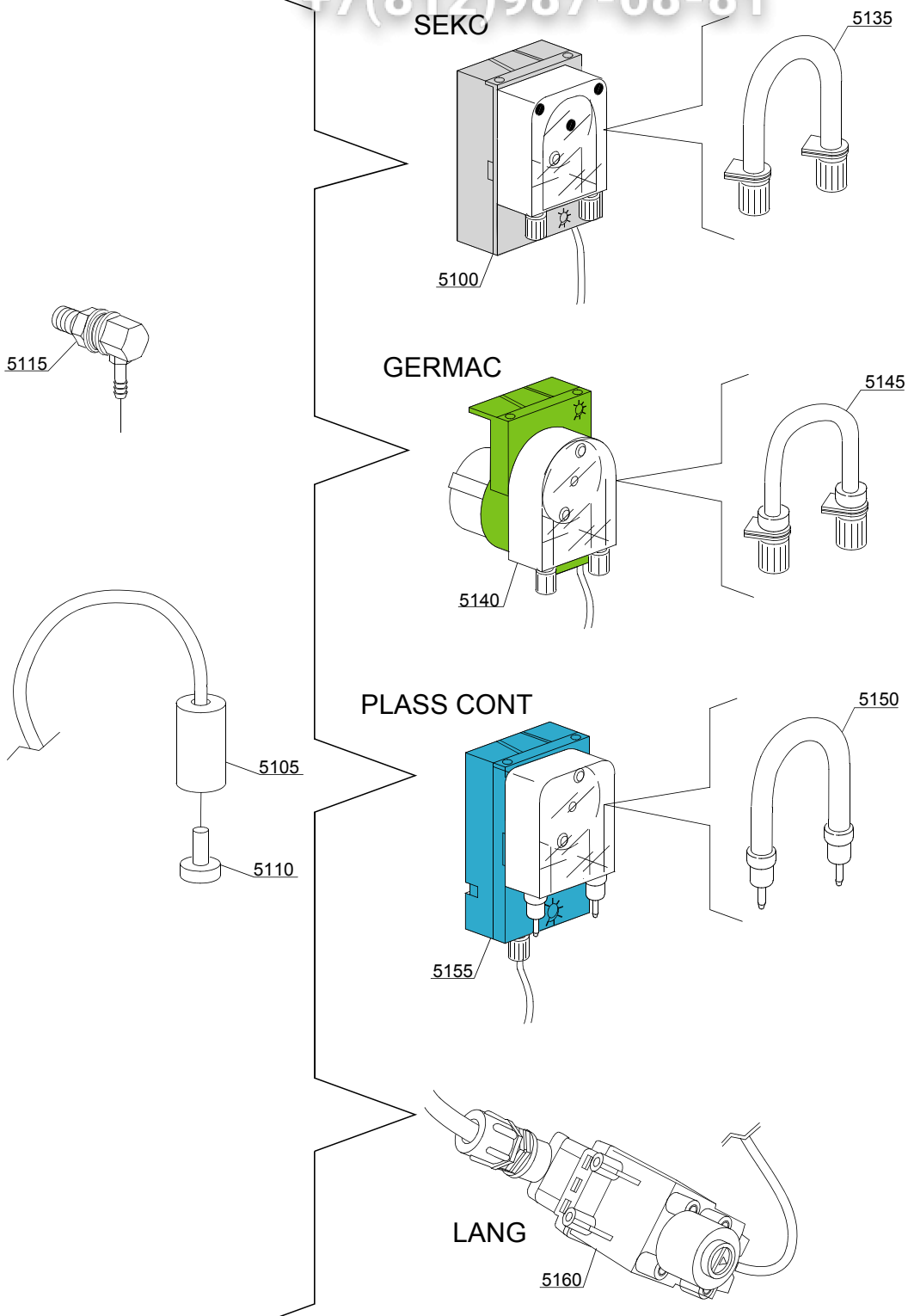
LUX60=LUX60

bt=BREAK TANK, bp=BOOSTER PUMP, dvgw=DVGW, cr=COLD RINSE, ws=WATER SOFTNER, dd=DETERGENT DISPENSER, dp=DRAIN PUMP

A=3/N/PE~380-400V 50-60Hz, D=3/PE~200-210V 50-60Hz, F=2/PE~220-240V 50-60Hz, G=3/N/PE~415V 50-60Hz, H=3/PE~220-230V 50-60Hz, K=3/PE~380-400V 50-60Hz, L=3/PE~415V 50-60Hz, M=3/PE~440V 60Hz, P=1/N/PE~220-230V 50-60Hz, R=2/PE~220-240V 50-60Hz, U=1/N/PE~240V 50-60Hz, V=3/PE~240V 50-60Hz, W=1/N/PE~100-110V 50-60Hz

vsezip.ru

+7(812)987-08-81



14_004_e

| ID | P-code | SN from | SN to | Mod | Acces. | Volt | Description |
|--------------------------------------|---------|---------|-------|------|--------|------|----------------------------------|
| Module:Dosing detergent group | | | | | | | |
| 5100 | 15985 | | - | i,em | dd | | Seko detergent pump |
| 5105 | 12525 | | - | i,em | dd | | Ballast |
| 5110 | 15058 | | - | i,em | dd | | Small filter (minimum 3 pieces) |
| 5115 | 15123 | | - | i,em | dd | | Complet stainless steel injector |
| 5135 | 15185 | | - | i,em | dd | | Seko thermoplastic pipe |
| 5140 | 15985 | | - | i,em | dd | | Germac detergent pump |
| 5145 | 15108/E | | - | i,em | dd | | Germac thermoplastic pipe |
| 5150 | 15985/A | | | i,em | dd | | Plas Cont thermoplastic pipe |
| 5155 | 15985 | | | i,em | dd | | Plas Cont detergent pump |
| 5160 | 15108/L | | | i,em | dd | | LANG detergent pump |

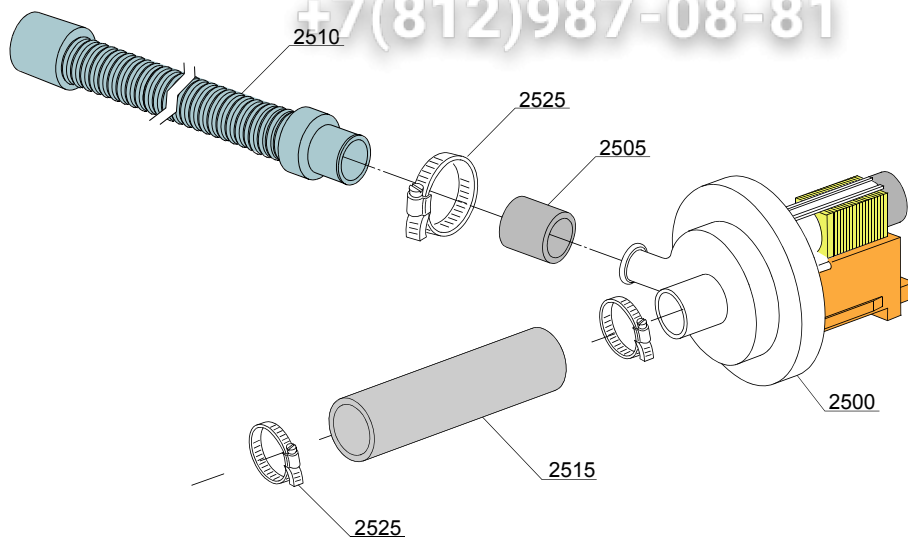
em=ELECTROMECHANICAL SWITCHES, uw=LOWER AND UPPER WASHING, i=INSULATED MODEL
LUX60=LUX60

bt=BREAK TANK, bp=BOOSTER PUMP, dvgw=DVGW, cr=COLD RINSE, ws=WATER SOFTNER, dd=DETERGENT DISPENSER, dp=DRAIN PUMP

A=3/N/PE~380-400V 50-60Hz, D=3/PE~200-210V 50-60Hz, F=2/PE~220-240V 50-60Hz, G=3/N/PE~415V 50-60Hz, H=3/PE~220-230V 50-60Hz, K=3/PE~380-400V 50-60Hz, L=3/PE~415V 50-60Hz, M=3/PE~440V 60Hz, P=1/N/PE~220-230V 50-60Hz, R=2/PE~220-240V 50-60Hz, U=1/N/PE~240V 50-60Hz, V=3/PE~240V 50-60Hz, W=1/N/PE~100-110V 50-60Hz

vsezip.ru

+7(812)987-08-81



15_004ce

| ID | P-code | SN from | SN to | Mod. | Acces. | Volt | Description |
|---------------------------------|---------|---------|-------|------|--------|------|---------------------------------|
| Module: Drain pump group | | | | | | | |
| 2500 | 15101 | | - | i.em | dp | | Drain pump 220/240V 50Hz |
| 2505 | 15101/D | | - | i.em | dp | | Pipe fitting (minimum 3 pieces) |
| 2510 | 10727 | | - | i.em | dp | | Drain pipe |
| 2515 | 18044 | | - | i.em | dp | | Ø28 top wash pipe |
| 2525 | 11806 | | - | i.em | dp | | 25/40 clamp (minimum 2 pieces) |

em=ELECTROMECHANICAL SWITCHES, uw=LOWER AND UPPER WASHING, i=INSULATED MODEL

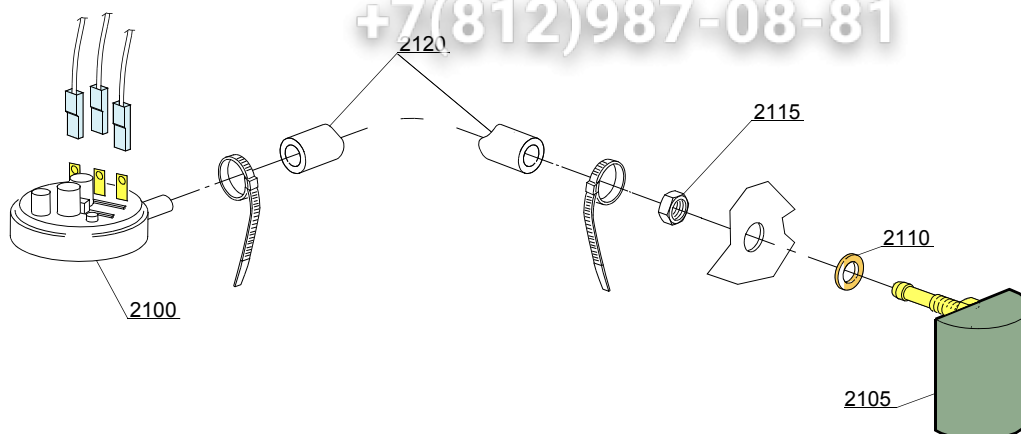
LUX60=LUX60

bt=BREAK TANK, bp=BOOSTER PUMP, dvgw=DVGW, cr=COLD RINSE, ws=WATER SOFTNER, dd=DETERGENT DISPENSER, dp=DRAIN PUMP

A=3/N/PE~380-400V 50-60Hz, D=3/PE~200-210V 50-60Hz, F=2/PE~220-240V 50-60Hz, G=3/N/PE~415V 50-60Hz, H=3/PE~220-230V 50-60Hz, K=3/PE~380-400V 50-60Hz, L=3/PE~415V 50-60Hz, M=3/PE~440V 60Hz, P=1/N/PE~220-230V 50-60Hz, R=2/PE~220-240V 50-60Hz, U=1/N/PE~240V 50-60Hz, V=3/PE~240V 50-60Hz, W=1/N/PE~100-110V 50-60Hz

vsezip.ru

+7(812)987-08-81



16_001_e

| ID | P-code | SN from | SN to | Mod | Acces. | Volt | Description |
|--|----------|---------|-------|------|--------|------|--|
| Module: Pressure switch group with air trap | | | | | | | |
| 2100 | 10706/A | | - | i,em | | | 47-27 pressure switch |
| 2105 | 135911/B | 4020618 | - | em,i | | | Grey air trap assembly |
| 2110 | 13301 | | - | i,em | | | O-ring (minimum 10 pieces) - D14x8x1,5 |
| 2115 | 11702 | | - | i,em | | | M8 stainless steel nut (minimum 10 pieces) |
| 2120 | 14508 | | - | i,em | | | 4,5X9 EPDM rubber hose (minimum 2mt) |

em=ELECTROMECHANICAL SWITCHES, uw=LOWER AND UPPER WASHING, i=INSULATED MODEL

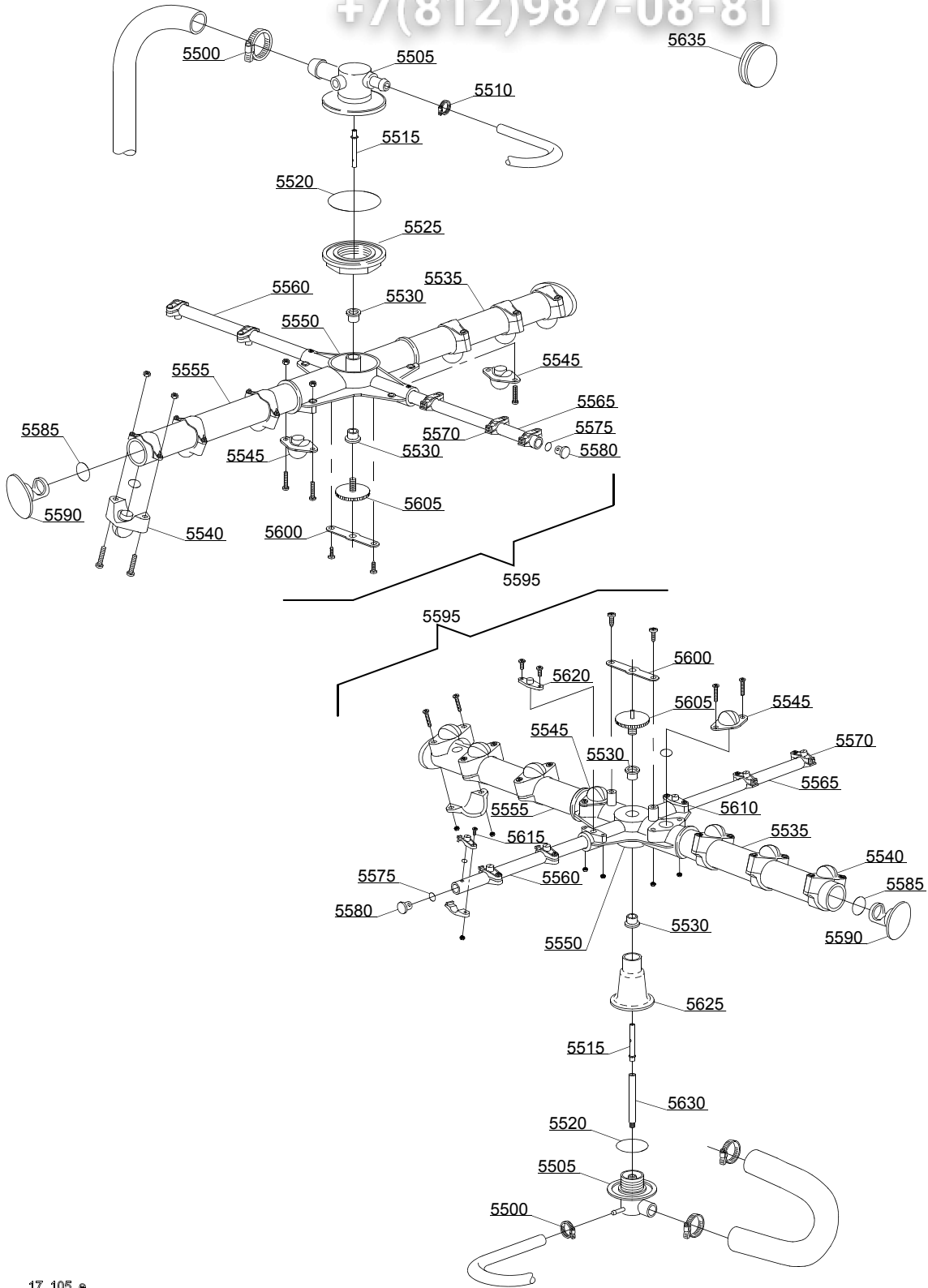
LUX60=LUX60

bt=BREAK TANK, bp=BOOSTER PUMP, dvgw=DVGW, cr=COLD RINSE, ws=WATER SOFTNER, dd=DETERGENT DISPENSER, dp=DRAIN PUMP

A=3/N/PE~380-400V 50-60Hz, D=3/PE~200-210V 50-60Hz, F=2/PE~220-240V 50-60Hz, G=3/N/PE~415V 50-60Hz, H=3/PE~220-230V 50-60Hz, K=3/PE~380-400V 50-60Hz, L=3/PE~415V 50-60Hz, M=3/PE~440V 60Hz, P=1/N/PE~220-230V 50-60Hz, R=2/PE~220-240V 50-60Hz, U=1/N/PE~240V 50-60Hz, V=3/PE~240V 50-60Hz, W=1/N/PE~100-110V 50-60Hz

vsezip.ru

+7(812)987-08-81



17_105_e

| ID | P-code | SN from | SN to | Mod | Acces. | Volt | Description |
|---|---------|---------|-------|---------|--------|------|--|
| Module:Turret group with rotating arms | | | | | | | |
| 5500 | 11806 | | - | em,uw,i | | | 25/40 clamp (minimum 2 pieces) |
| 5505 | 500612 | | - | em,uw,i | | | Top/lower turret |
| 5510 | 11807 | | - | em,uw,i | | | 12/22 clamp (minimum 3 pieces) |
| 5515 | 15300 | | - | em,uw,i | | | Ø10x51 lower/top rinse axle |
| 5520 | 13015 | | - | em,uw,i | | | 6225 OR 160 NBR O-ring (minimum 5 pieces) |
| 5525 | 500623 | 4017774 | - | em,uw,i | | | Ring nut for fixing turret |
| 5530 | 13319 | | - | em,uw,i | | | Sliding washer (minimum 4 pieces) |
| 5535 | 15571 | | - | em,uw,i | | | Ø28 right wash pipe |
| 5540 | 10261 | | - | em,uw,i | | | Ø28 raised nozzle (minimum 2 pieces) |
| 5545 | 10268 | | - | em,uw,i | | | Ø28 opened plane nozzle (minimum 2 pieces) |
| 5550 | 10259 | | - | em,uw,i | | | 4 ways big rotor |
| 5555 | 15572 | | - | em,uw,i | | | Ø28 left wash pipe |
| 5560 | 15575 | | - | em,uw,i | | | Right rinse pipe |
| 5565 | 15576 | | - | em,uw,i | | | Left rinse pipe |
| 5570 | 10262 | | - | em,uw,i | | | Ø10 complet rinse nozzle (minimum 2 pieces) |
| 5575 | 13016 | | - | em,uw,i | | | 2018 OR 103 NBR O-ring (minimum 10 pieces) |
| 5580 | 12532 | | - | em,uw,i | | | Ø10 plastic plug (minimum 3 pieces) |
| 5585 | 13018 | | - | em,uw,i | | | OR 2087 NBR O-ring (minimum 10 pieces) |
| 5590 | 10257 | | - | em,uw,i | | | Ø28 plastic plug (minimum 3 pieces) |
| 5595 | 15958 | | - | em,uw,i | | | Ø28 wash/rinse group |
| 5600 | 10260 | | - | em,uw,i | | | Blocking ring nut rotor plaque (minimum 10 pieces) |
| 5605 | 11101/I | | - | em,uw,i | | | Stainless steel group fixing screw |
| 5610 | 10267 | | - | em,uw,i | | | Ø10 closed plane nozzle (minimum 2 pieces) |
| 5615 | 11004 | | - | em,uw,i | | | 4x10 TCB Ø8 spax toothed screw |
| 5620 | 10263 | | - | em,uw,i | | | Ø10 opened plane nozzle (minimum 2 pieces) |
| 5625 | 550225 | | - | em,uw,i | | | Lower pipe coupling |
| 5630 | 550226 | | - | em,uw,i | | | Lower rinse axle |
| 5635 | 13316/A | | - | em,uw,i | | | DVGW hole O-ring |

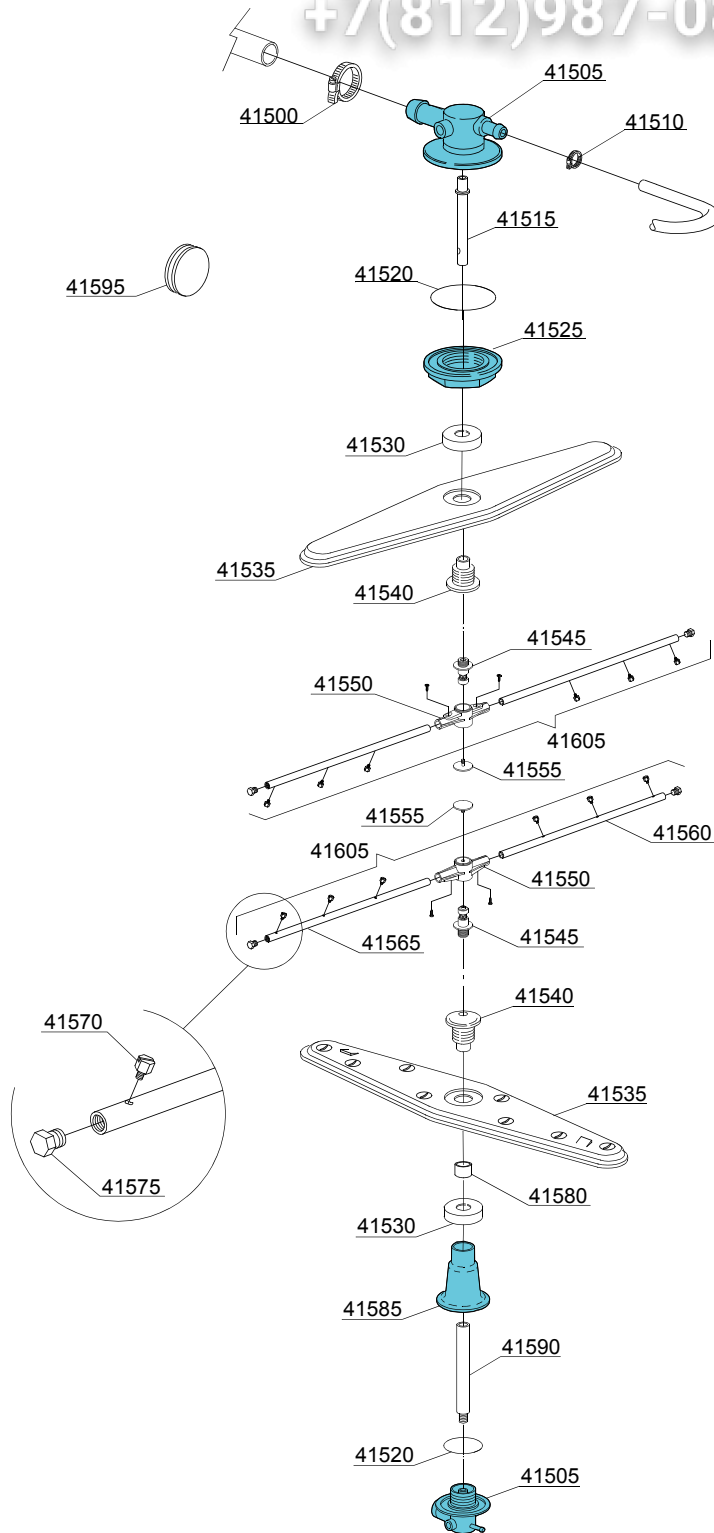
em=ELECTROMECHANICAL SWITCHES, uw=LOWER AND UPPER WASHING, i=INSULATED MODEL
LUX60=LUX60

bt=BREAK TANK, bp=BOOSTER PUMP, dvgw=DVGW, cr=COLD RINSE, ws=WATER SOFTNER, dd=DETERGENT DISPENSER, dp=DRAIN PUMP

A=3/N/PE~380-400V 50-60Hz, D=3/PE~200-210V 50-60Hz, F=2/PE~220-240V 50-60Hz, G=3/N/PE~415V 50-60Hz, H=3/PE~220-230V 50-60Hz, K=3/PE~380-400V 50-60Hz, L=3/PE~415V 50-60Hz, M=3/PE~440V 60Hz, P=1/N/PE~220-230V 50-60Hz, R=2/PE~220-240V 50-60Hz, U=1/N/PE~240V 50-60Hz, V=3/PE~240V 50-60Hz, W=1/N/PE~100-110V 50-60Hz

vsezip.ru

+7(812)987-08-81



17_127_e

vsezip.ru

| ID | P-code | SN from | SN to | Mod | Acces. | Volt | Description |
|---|---------|---------|-------|-----|--------|------|--|
| Module:Turret group with rotating arms | | | | | | | |
| 41500 | 11806 | | - | uw | | | 25/40 clamp (minimum 2 pieces) |
| 41505 | 500612 | | - | uw | | | Top/lower turret |
| 41510 | 11807 | | - | uw | | | 12/22 clamp (minimum 3 pieces) |
| 41515 | 500703 | | - | uw | | | Upper rinse axle extension |
| 41520 | 13015 | | - | uw | | | 6225 OR 160 NBR O-ring (minimum 5 pieces) |
| 41525 | 500623 | | - | uw | | | Ring nut for fixing turret |
| 41530 | 500702 | | - | uw | | | Nut for wash arm bearing 05 (inox rinse arm) |
| 41535 | 500700 | | - | uw | | | Stainless steel wash rotor |
| 41540 | 500701 | | - | uw | | | Hub for rotor (inox rinse arm) |
| 41545 | 10651 | | - | uw | | | Rinse axle |
| 41550 | 10650 | | - | uw | | | Rinse arm |
| 41555 | 10652 | | - | uw | | | Rinse arm screw |
| 41560 | 10657 | | - | uw | | | Right rinse arm - stainless steel nozzle |
| 41565 | 10658 | | - | uw | | | Left rinse arm - stainless steel nozzle |
| 41570 | 560018 | | - | uw | | | Stainless steel rinse nozzle |
| 41575 | 560017 | | - | uw | | | Rinse arm plug |
| 41580 | 550220 | | - | uw | | | Hub rotor/pipe coupling spacer |
| 41585 | 500706 | | - | uw | | | Lower pipe coupling |
| 41590 | 500705 | | - | uw | | | Rinse lower distributor connection axle |
| 41595 | 13316/A | | - | uw | | | DVGW hole O-ring |
| 41605 | 75918 | | - | uw | | | Top/lower rinse arm complete |

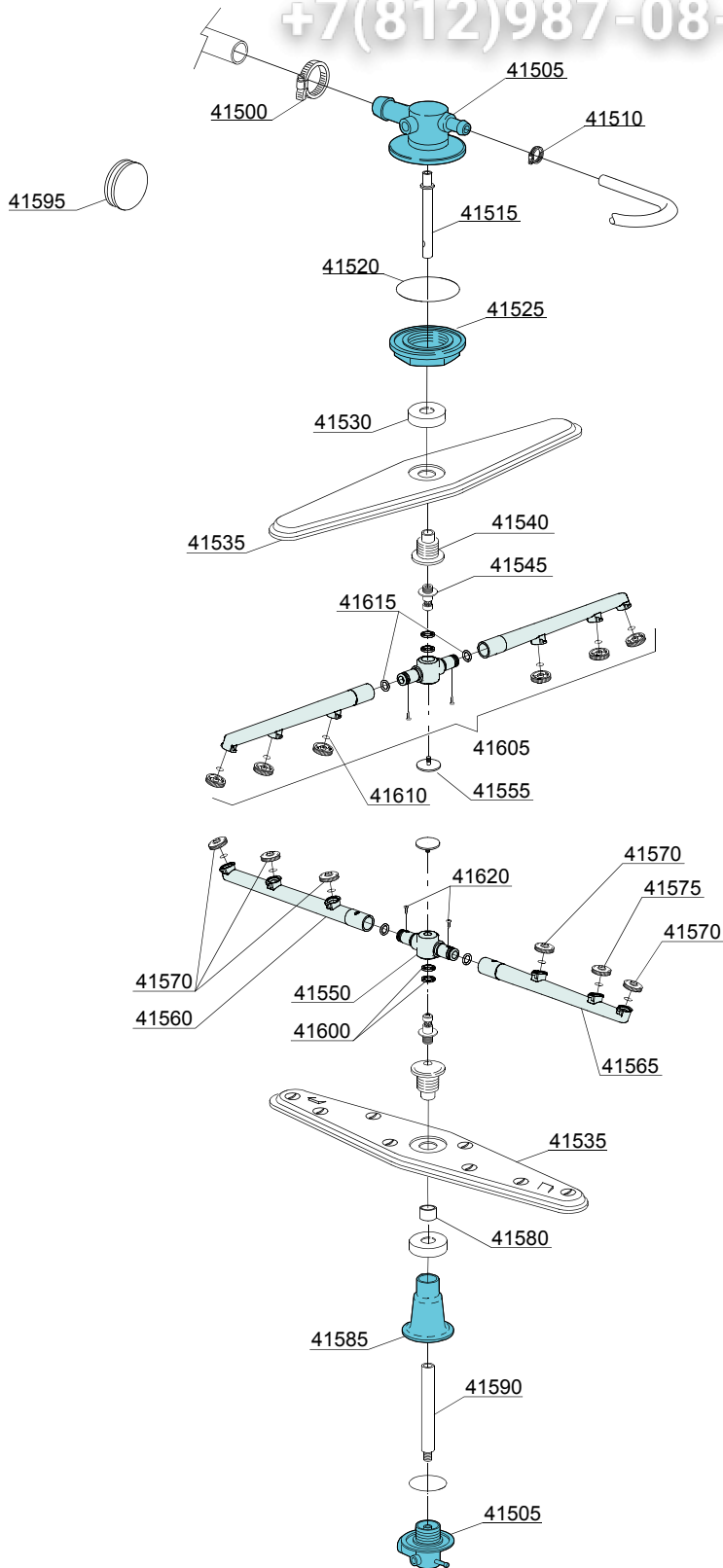
em=ELECTROMECHANICAL SWITCHES, uw=LOWER AND UPPER WASHING, i=INSULATED MODEL
LUX60=LUX60

bt=BREAK TANK, bp=BOOSTER PUMP, dvgw=DVGW, cr=COLD RINSE, ws=WATER SOFTNER, dd=DETERGENT DISPENSER, dp=DRAIN PUMP

A=3/N/PE~380-400V 50-60Hz, D=3/PE~200-210V 50-60Hz, F=2/PE~220-240V 50-60Hz, G=3/N/PE~415V 50-60Hz, H=3/PE~220-230V 50-60Hz, K=3/PE~380-400V 50-60Hz, L=3/PE~415V 50-60Hz, M=3/PE~440V 60Hz, P=1/N/PE~220-230V 50-60Hz, R=2/PE~220-240V 50-60Hz, U=1/N/PE~240V 50-60Hz, V=3/PE~240V 50-60Hz, W=1/N/PE~100-110V 50-60Hz

vsezip.ru

+7(812)987-08-81



17_127be

| ID | P-code | SN from | SN to | Mod | Acces. | Volt | Description |
|---|---------|---------|-------|-----|--------|------|--|
| Module:Turret group with rotating arms | | | | | | | |
| 41500 | 11806 | | - | uw | | | 25/40 clamp (minimum 2 pieces) |
| 41505 | 500612 | | - | uw | | | Top/lower turret |
| 41510 | 11807 | | - | uw | | | 12/22 clamp (minimum 3 pieces) |
| 41515 | 500703 | | - | uw | | | Upper rinse axle extension |
| 41520 | 13015 | | - | uw | | | 6225 OR 160 NBR O-ring (minimum 5 pieces) |
| 41525 | 500623 | | - | uw | | | Ring nut for fixing turret |
| 41530 | 500702 | | - | uw | | | Nut for wash arm bearing 05 (inox rinse arm) |
| 41535 | 500700 | | - | uw | | | Stainless steel wash rotor |
| 41540 | 500701 | | - | uw | | | Hub for rotor (inox rinse arm) |
| 41545 | 10651 | | - | uw | | | Rinse axle |
| 41550 | 75920/A | | - | uw | | | Rinse arm |
| 41555 | 10652 | | - | uw | | | Rinse arm screw |
| 41560 | 75920/D | | - | uw | | | Right rinse arm - stainless steel nozzle |
| 41565 | 75920/S | | - | uw | | | Left rinse arm - stainless steel nozzle |
| 41570 | 10371 | | - | uw | | | Open rinse nozzle |
| 41575 | 10372 | | - | uw | | | Closed rinse nozzle |
| 41580 | 550220 | | - | uw | | | Hub rotor/pipe coupling spacer |
| 41585 | 500706 | | - | uw | | | Lower pipe coupling |
| 41590 | 500705 | | - | uw | | | Rinse lower distributor connection axle |
| 41595 | 13316/A | | - | uw | | | DVGW hole O-ring |
| 41600 | 75920/B | | - | uw | | | O ring for hub (rinse arm) |
| 41605 | 75920 | | - | uw | | | Top/lower rinse arm complete |
| 41610 | 13002 | | - | uw | | | OR R6 NBR O-ring (minimum 10 pieces) |
| 41615 | 13002 | | - | uw | | | OR R6 NBR O-ring (minimum 10 pieces) |
| 41620 | 11004 | | - | uw | | | 4x10 TCB Ø8 spax toothed screw |

em=ELECTROMECHANICAL SWITCHES, uw=LOWER AND UPPER WASHING, i=INSULATED MODEL
LUX60=LUX60

bt=BREAK TANK, bp=BOOSTER PUMP, dvgw=DVGW, cr=COLD RINSE, ws=WATER SOFTNER, dd=DETERGENT DISPENSER, dp=DRAIN PUMP

A=3/N/PE~380-400V 50-60Hz, D=3/PE~200-210V 50-60Hz, F=2/PE~220-240V 50-60Hz, G=3/N/PE~415V 50-60Hz, H=3/PE~220-230V 50-60Hz, K=3/PE~380-400V 50-60Hz, L=3/PE~415V 50-60Hz, M=3/PE~440V 60Hz, P=1/N/PE~220-230V 50-60Hz, R=2/PE~220-240V 50-60Hz, U=1/N/PE~240V 50-60Hz, V=3/PE~240V 50-60Hz, W=1/N/PE~100-110V 50-60Hz