

Зип Общепит

vsezip.ru

+7(812)987-08-81

# RACK CONVEYOR MACHINE

ELECTRONICAL SWITCHES  
LOWER AND UPPER WASHER

TYPE: 87

Accessories

HEAT RECOVERY - TR98 / F26

HEAT PUMP - TR99 / F26PC

HEAT PUMP - TR99/1 - F26PC1

CONVEYOR SPEED ADJUSTING - LC 101

ADDITIONAL BOILER FOR COLD WATER SUPPLY

DVGW VALVE SYSTEM

SPLASH ZONE WITH CILINDER

TANK INSULATION

DOUBLE SKIN

BOOSTER PUMP

DISPENSER SYSTEM SDN-3

---

## Spare parts Manual

---



**INFORMAZIONI GENERALI**

Questo catalogo serve per richiedere con esattezza le parti di ricambio

Nelle ordinazioni indicare:

1) il numero dei codici dei particolari seguito dalla descrizione e la quantità desiderata;

2) Il codice alfa-numerico presente nella seconda colonna della tabella ;

**I disegni delle parti di ricambio sono solo indicativi e non rappresentano il pezzo in oggetto.**

**I dati contenuti in questo catalogo sono indicativi e possono essere soggetti a modifiche senza impegno di preavviso.**

**ALLGEMEINE INFORMATIONEN**

Dieser Ersatzteilkatalog dient zur genauen Angabe der Teile bei Ersatzteilbestellungen.

Bei Ersatzbestellung ist folgendes anzugeben:

1) Die Bestellnummer der Ersatzteile mit der entsprechenden Beschreibung genaue Menge;

2) Der alpha-numerischer Code auf der zweiten Reihe in dein Schuld;

**Die Zeichnungen der Ersatzteile sind nur als Hinweise gedacht und stellen nicht das betroffene Teil dar.**

**Bei den im Katalog angeführten Daten handelt es sich um Anhaltsdaten, die jederzeit, ohne Vorankündigung, geändert werden können.**

**GENERAL INFORMATION**

The present spare parts order exactly the right spare parts

When ordering specify:

1) the part's code number followed by its description and quantity needed;

2) The alpha-numeric code is in the second column in the chart;

**Spare parts drawings are general and do not represent the part.**

**The contents of this catalogue are general and can undergo changes without prior notice.**

**INFORMACIONES GENERALES**

El presente catálogo sirve para pedir con exactitud las partes de repuesto

En los pedidos se debe indicar:

1) el número de código de la parte y a continuación la descripción cantidad deseada;

2) El código alfanumerico presente en la segnada columna de la tabla;

**Los diseños de las partes de recambio son solo indicativos y no representan la pieza en cuestión.**

**Los datos contenidos en el presente catálogo son indicativos y pueden modificarse sin aviso previo.**

**INFORMATIONS GENERALES**

Ce catalogue permet de commander correctement les pièces détachées

Les commandes doivent être passées en indiquant:

1) le numero de code des pièces détachées suivi de leur description quantité désirée;

2) le code alphanumérique dans la deuxième colonne du tableau;

**Les plans des pièces détachées sont fournis seulement à titre indicatif et ne représentent pas la pièce concernée.**

**Les données de ce catalogue sont citées seulement à titre indicatif et peuvent être l'objet de modifications sans avis préalable.**

**ESEMPIO  
EXAMPLE  
EXEMPLE  
BEISPIEL**

| Rif.               | Codici  |
|--------------------|---------|
| MODULE:Particolari |         |
| 10505              | 540903  |
| 10510              | 540908  |
| 10515              | 15065/A |
| 10520              | 540086  |
| 10525              | 540028  |



**Note**

Tutte le informazioni riportate si intendono aggiornate alla data di stampa. Il Produttore si riserva il diritto di apportare qualsiasi modifica richiesta dallo sviluppo evolutivo dei suddetti prodotti.

Per la sicurezza, la garanzia, l'affidabilità ed il valore della lavastoviglie usa solo ricambi originali. **Per alcuni codici, sono richieste quantità minime d'ordine.**



**Attenzione**

Questo libretto è parte integrante della lavastoviglie e, in caso di passaggio di proprietà, deve essere consegnato al nuovo acquirente.



**Remarque**

Toutes les informations contenues dans ce manuel s'entendent mises à jour à la date d'impression. En raison du développement constant de ses produits, usine se réserve le droit d'apporter à tout instant les modifications qu'elle jugera utiles.

Pour la sécurité, la garantie, la fiabilité et la valeur de votre lavevaisselles n'utilisez que des pièces de rechange d'origine. **Pour quelque référence on demande un minimum de pièces par commande**



**Attention**

Ce manuel doit être considéré comme partie intégrante de la lavevaisselles, en cas de transfert de propriété, doit toujours être remis au nouveau propriétaire.



**Note**

The information contained herein is valid at the time of going to print. The Company reserves the right to make any changes required by the future development of the above-mentioned products.

For your safety, as well as to preserve the warranty reliability and worth of your dishwashers, use original spare parts only. **For some codes a minimum quantity for order is required.**



**Warning**

This manual forms an integral part of the dishwashers and - if a transfer of title occurs - must always be handed over to the new owner.



**Hinweis**



Die Der Hersteller behält sich das Recht vor, jegliche, durch eine Weiterentwicklung der genannten Produkte bedingte Änderungen vornehmen zu können.

Verwenden Sie für Ihre Sicherheit, die Garantie, die Zuverlässigkeit und den Wert Ihrer machine originale Ersatzteile. **Für bestimmte Code nummer werden mindesten bestellungen verlangt.**



**Achtung**

Diese Betriebsanleitung ist Bestandteile des machine und muss bei seinem Weiterverkauf dem neuen Besitzer ausgehändigt werden.

+7(812)987-08-81

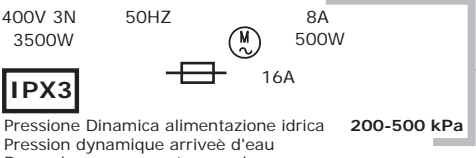
---

**Code** DW 999XXYYYY **CL/Part**

**Model DESCRIPTION**

**S/N** DW A 1015770 **Type** .....

400V 3N 50HZ 8A  
3500W 500W




**IPX3** 16A 200-500 kPa

Pressione Dinamica alimentazione idrica  
Pression dynamique arrivée d'eau  
Dynamic pressure water supply  
Dynamischer Druck asserreinlauf

Pressione dinamica vapore saturo  
Pression dynamique vapore satueèè  
Dymanischer Druck gesattigter Dampf  
Pression Dinamica Vapor Saturado


**TECHICAL SPECIFICATION**




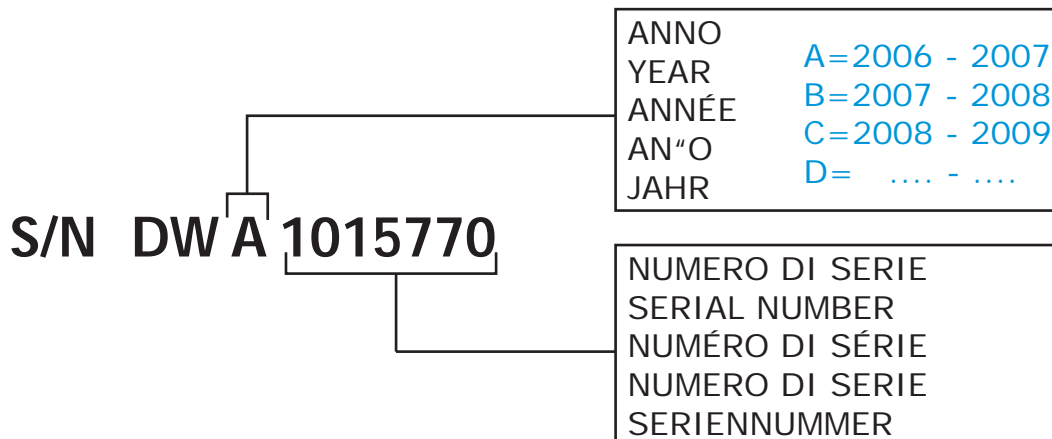
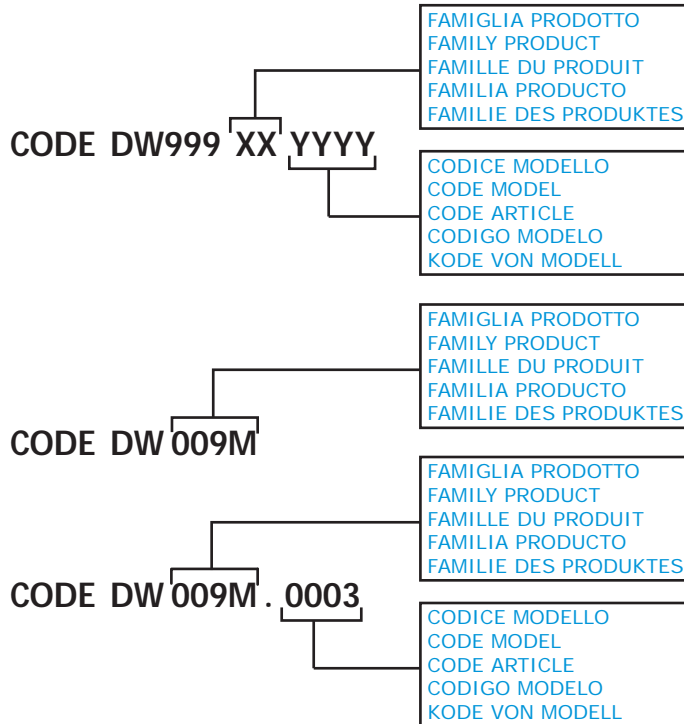
**MADE IN ITALY**

Temperatura massima acqua in ingresso 60°C  
Temperature max eau a l'entre  
Maximale Temperatur Wasseranschlü  
Maximum Water temperature in-feeding

---

**Model** 

**S/N** 



Spare parts

---

**Зип Общепит**

**vsezip.ru**

**+7(812)987-08-81**



vsezip.ru

+7(812)987-08-81

## 1. Spare parts

|  |           |
|--|-----------|
| <b>Control Panel ELECTRONIC .....</b>                      | <b>11</b> |
| <b>Electronic control НАССР .....</b>                      | <b>13</b> |
| <b>Electric parts.....</b>                                 | <b>15</b> |
| <b>General parts mod.1300.....</b>                         | <b>19</b> |
| <b>General parts mod.900.....</b>                          | <b>21</b> |
| <b>Economizer components .....</b>                         | <b>23</b> |
| <b>Curtains group components .....</b>                     | <b>25</b> |
| <b>Inverter.....</b>                                       | <b>27</b> |
| <b>Time relay .....</b>                                    | <b>29</b> |
| <b>Heat recovery TR98 / F26 - part 1 .....</b>             | <b>31</b> |
| <b>Heat recovery TR98 / F26 - part 2 .....</b>             | <b>33</b> |
| <b>Heat recovery TR98 / F26 - part 3 .....</b>             | <b>35</b> |
| <b>Heat pump TR99 / F26PC - part 1.....</b>                | <b>37</b> |
| <b>Heat pump TR99/1 / F26PC1 - part 1</b>                  | <b>39</b> |
| <b>Heat pump TR99 / F26PC [TR99/1 - F26PC1] - part 241</b> |           |
| <b>Dryer - part 1 .....</b>                                | <b>43</b> |

|  |           |
|--|-----------|
| <b>Dryer - part 2 .....</b>                            | <b>45</b> |
| <b>Curve 90° .....</b>                                 | <b>47</b> |
| <b>Curve 45° .....</b>                                 | <b>49</b> |
| <b>Dosing detergent group .....</b>                    | <b>51</b> |
| <b>Set additional control panel: electric parts...</b> | <b>53</b> |
| <b>Polycord motorization system: electric parts...</b> | <b>55</b> |
| <b>Connection to the tray washer: mechanic parts</b>   | <b>57</b> |
| <b>Motor group: mechanic parts .....</b>               | <b>59</b> |
| <b>Straight unit: mechanic parts.....</b>              | <b>61</b> |
| <b>Put off unit: mechanic parts .....</b>              | <b>63</b> |
| <b>Empty trays sensors .....</b>                       | <b>65</b> |
| <b>Trays system transport.....</b>                     | <b>67</b> |
| <b>Steam condenser - part 1 .....</b>                  | <b>69</b> |
| <b>Steam condenser - part 2 .....</b>                  | <b>71</b> |
| <b>Steam condenser - part 3 .....</b>                  | <b>73</b> |
| <b>Additional boiler components .....</b>              | <b>75</b> |
| <b>Additional boiler: electrical components...</b>     | <b>77</b> |
| <b>DVGW valve .....</b>                                | <b>79</b> |
| <b>Motorgear components .....</b>                      | <b>81</b> |
| <b>Washing components 2+2+1.....</b>                   | <b>83</b> |

|   |            |
|---|------------|
| <b>Rinsing components</b> .....   | <b>85</b>  |
| <b>Internal components washing module</b> .....                                   | <b>87</b>  |
| <b>Boiler components</b> .....  | <b>91</b>  |
| <b>Solenoid valves components: tank loading + rinsing</b> ...                     | <b>93</b>  |
| <b>Solenoid valves components: tank loading + rinsing + steam condenser</b> ..... | <b>95</b>  |
| <b>Polycord guides: central zone</b> .....  | <b>97</b>  |
| <b>Polycord guides: inlet zone</b> .....  | <b>99</b>  |
| <b>Polycord guides: drying zone</b> .....   | <b>101</b> |
| <b>Accumulateur plateaux</b> .....  | <b>103</b> |
| <b>Splash zone with cilinder</b> .....  | <b>105</b> |
| <b>Tank insulation</b> .....  | <b>107</b> |
| <b>Double skin</b> .....  | <b>109</b> |
| <b>Trolley for strays</b> .....   | <b>111</b> |
| <b>Booster pump</b> .....   | <b>113</b> |
| <b>Dispensers SDN-3</b> .....   | <b>115</b> |
| <b>Accessory</b> .....  | <b>117</b> |
| <b>Centralized drainage components</b> .....                                      | <b>119</b> |
| <b>Optionals</b> .....  | <b>121</b> |

vsezip.ru

+7(812)987-08-81

## 1.1 Voltage codes

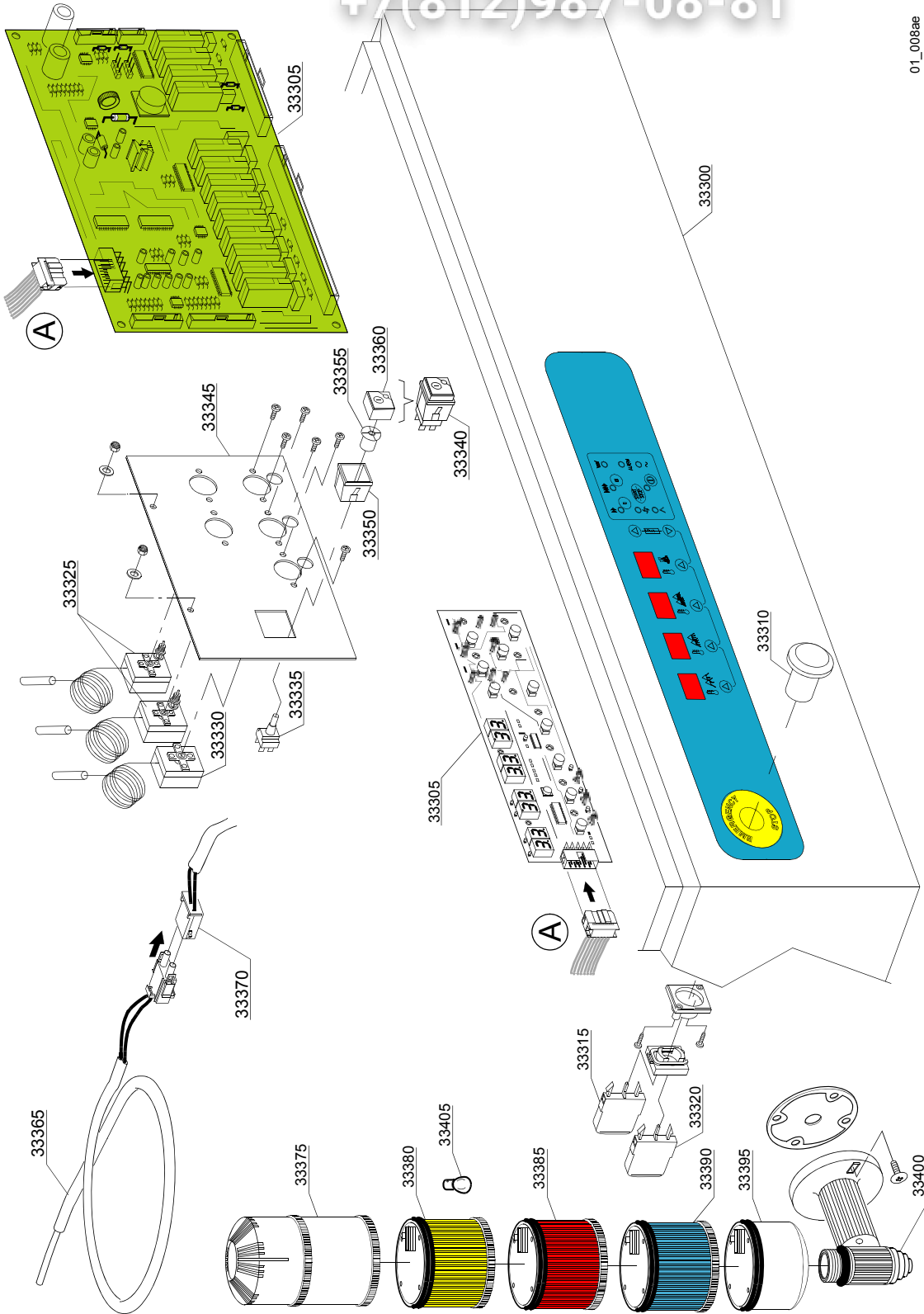
| Volt | Voltage code            |
|------|-------------------------|
| A    | 3/N/PE~380-400V 50-60Hz |
| D    | 3/PE~200-210V 50-60Hz   |
| F    | 2/PE~220-240V 50-60Hz   |
| G    | 3/N/PE~415V 50-60Hz     |
| H    | 3/PE~220-230V 50-60Hz   |
| K    | 3/PE~380-400V 50-60Hz   |
| L    | 3/PE~415V 50-60Hz       |
| M    | 3/PE~440V 60Hz          |
| P    | 1/N/PE~220-230V 50-60Hz |
| R    | 2/PE~220-240V 50-60Hz   |
| U    | 1/N/PE~240V 50-60Hz     |
| V    | 3/PE~240V 50-60Hz       |
| W    | 1/N/PE~100-110V 50-60Hz |

## 1.2 Product codes

| Product code    | Full name                               |
|-----------------|---|
| Model codes     |   |
| e               | ELECTRONICAL SWITCHES                   |
| uw              | LOWER AND UPPER WASHER                  |
| Type codes      |   |
| 87              | 87                                      |
| Accessory codes |   |
| hr              | HEAT RECOVERY - TR98 / F26              |
| hp              | HEAT PUMP - TR99 / F26PC                |
| hp              | HEAT PUMP - TR99/1 - F26PC1             |
| csa             | CONVEYOR SPEED ADJUSTING - LC 101       |
| cw              | ADDITIONAL BOILER FOR COLD WATER SUPPLY |
| dvgw            | DVGW VALVE SYSTEM                       |
| szc8            | SPLASH ZONE WITH CILINDER               |
| ti              | TANK INSULATION                         |
| ds              | DOUBLE SKIN                             |
| bp              | BOOSTER PUMP                            |
| sdn3            | DISPENSER SYSTEM SDN-3                  |

vsezip.ru

+7(812)987-08-81



01\_008ae

| ID                                      | P-code  | SN from | SN to | Mod. | Acces. | Volt | Description                 |
|---|---------|---------|-------|------|--------|------|-----------------------------|
| <b>Module: Control Panel ELECTRONIC</b> |         |         |       |      |        |      |                             |
| 33300                                   | 3009672 |         | -     | e,uw |        |      | Comand parts pannel         |
| 33305                                   | 3006164 |         | -     | e,uw |        |      | Main board+Touche sensitive |
| 33310                                   | 3002050 |         | -     | e,uw |        |      | Emergency button            |
| 33315                                   | 3002051 |         | -     | e,uw |        |      | 2NO contact (green)         |
| 33320                                   | 3002052 |         | -     | e,uw |        |      | 2NC contact (red)           |
| 33325                                   | 2000430 |         | -     | e,uw |        |      | Safety thermostat           |
| 33330                                   | 10707/1 |         | -     | e,uw |        |      | Thermostat 0 - 90° (TB2)    |
| 33335                                   | 15812   |         | -     | e,uw |        |      | Starter electric component  |
| 33340                                   | 15849   |         | -     | e,uw |        |      | Switch assembly (PM2)       |
| 33345                                   | 3009114 |         | -     | e,uw |        |      | Assembly plate              |
| 33350                                   | 15815   |         | -     | e,uw |        |      | Support square single       |
| 33355                                   | 15824   |         | -     | e,uw |        |      | Green-orange cam            |
| 33360                                   | 15874   |         | -     | e,uw |        |      | Green main switch           |
| 33365                                   | 3006165 |         | -     | e,uw |        |      | Termostat probe             |
| 33370                                   | 3006170 |         | -     | e,uw |        |      | Extend probe thermostat     |
| 33375                                   | 3062056 |         | -     | e,uw |        |      | Acusti alarm                |
| 33380                                   | 3062054 |         | -     | e,uw |        |      | Yellow ligting section      |
| 33385                                   | 3062053 |         | -     | e,uw |        |      | Red lighting section        |
| 33390                                   | 3062055 |         | -     | e,uw |        |      | Blue lighting section       |
| 33395                                   | 3062052 |         | -     | e,uw |        |      | Wiring box                  |
| 33400                                   | 3062051 |         | -     | e,uw |        |      | 90°adjustable holder        |
| 33405                                   | 3062057 |         | -     | e,uw |        |      | Lighting bulb               |

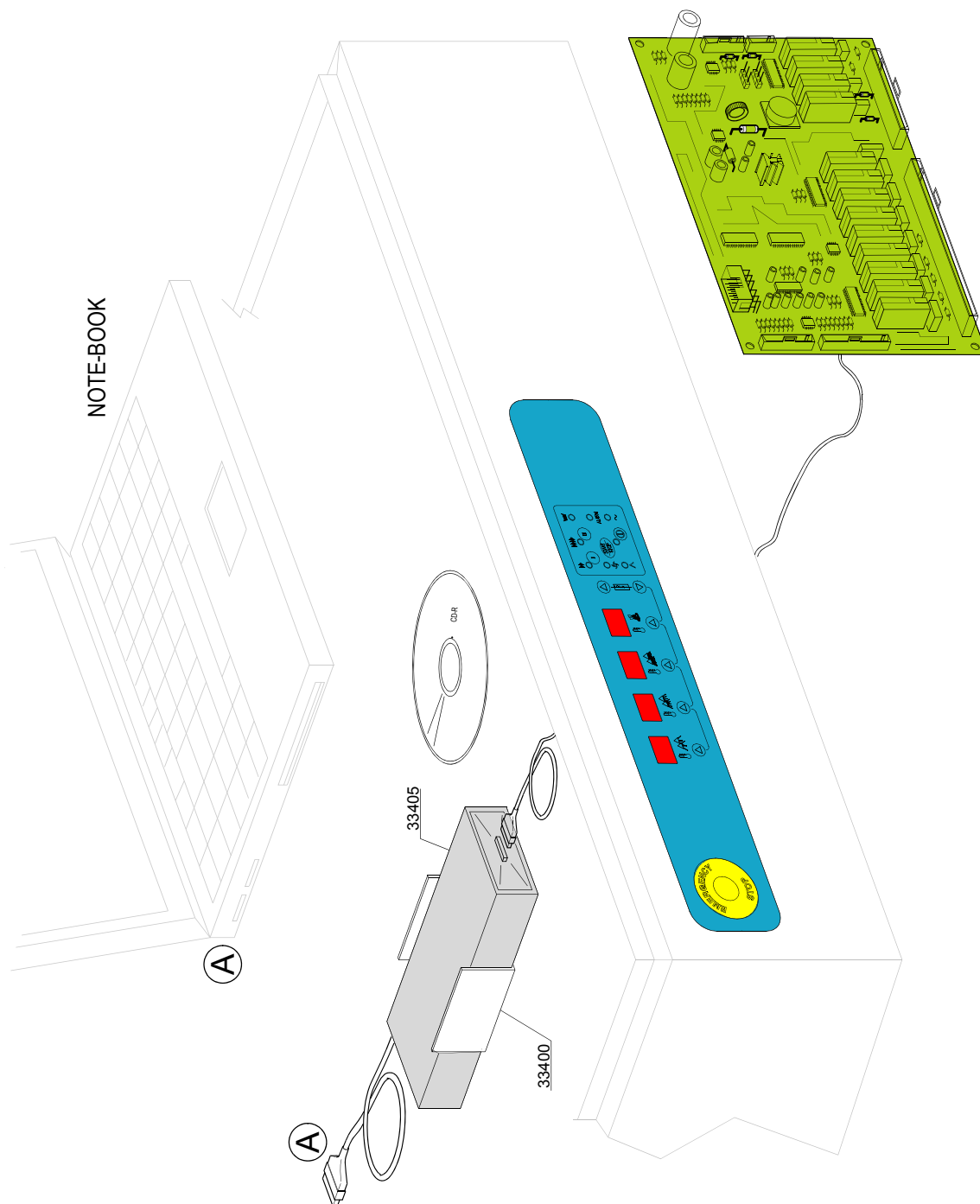
e=ELECTRONICAL SWITCHES, uw=LOWER AND UPPER WASHER

87=87

hr=HEAT RECOVERY - TR98, hp=HEAT PUMP - TR99, sc9=STEAM CONDENSER - LC 91, csa=CONVEYOR SPEED ADJUSTING - LC 101, d9=DRYER - LC 90, cw=ADDITIONAL BOILER FOR COLD WATER SUPPLY, dvgw=DVGW VALVE SYSTEM, szc8=SPLASH ZONE WITH CILINDER - LC 84, ti=TANK INSULATION, ds=DOUBLE SKIN, bp=BOOSTER PUMP, sdn3=DISPENSER SYSTEM SDN-3

A=3/N/PE~380-400V 50-60Hz, D=3/PE~200-210V 50-60Hz, F=2/PE~220-240V 50-60Hz, G=3/N/PE~415V 50-60Hz, H=3/PE~220-230V 50-60Hz, K=3/PE~380-400V 50-60Hz, L=3/PE~415V 50-60Hz, M=3/PE~440V 60Hz, P=1/N/PE~220-230V 50-60Hz, R=2/PE~220-240V 50-60Hz, U=1/N/PE~240V 50-60Hz, V=3/PE~240V 50-60Hz, W=1/N/PE~100-110V 50-60Hz

01\_009\_e





vsezip.ru

| ID                                     | P-code    | SN from | SN to | Mod. | Acces. | Volt | Description              |
|--|-----------|---------|-------|------|--------|------|--------------------------|
| <b>Module:Electronic control HACCP</b> |           |         |       |      |        |      |                          |
| 33400                                  | 3060200   |         | -     | e,uw |        |      | Support DATA-LOGGER      |
| 33405                                  | 999910217 |         | -     | e,uw |        |      | Kit remote control HACCP |

e=ELECTRONICAL SWITCHES, uw=LOWER AND UPPER WASHER

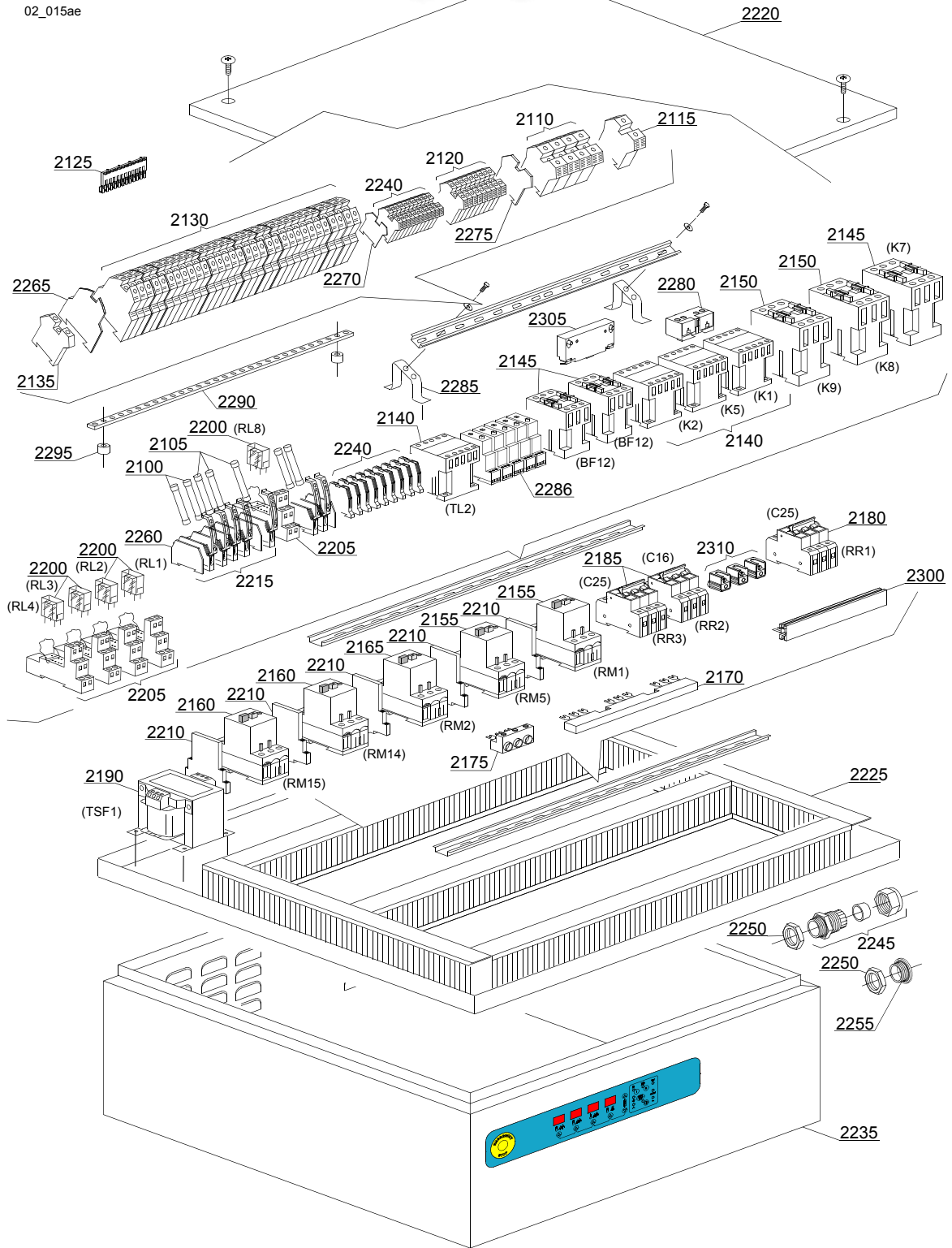
87=87

hr=HEAT RECOVERY - TR98, hp=HEAT PUMP - TR99, sc9=STEAM CONDENSER - LC 91, csa=CONVEYOR SPEED ADJUSTING - LC 101, d9=DRYER - LC 90, cw=ADDITIONAL BOILER FOR COLD WATER SUPPLY, dvgw=DVGW VALVE SYSTEM, szc8=SPLASH ZONE WITH CILINDER - LC 84, ti=TANK INSULATION, ds=DOUBLE SKIN, bp=BOOSTER PUMP, sdn3=DISPENSER SYSTEM SDN-3

A=3/N/PE~380-400V 50-60Hz, D=3/PE~200-210V 50-60Hz, F=2/PE~220-240V 50-60Hz, G=3/N/PE~415V 50-60Hz, H=3/PE~220-230V 50-60Hz, K=3/PE~380-400V 50-60Hz, L=3/PE~415V 50-60Hz, M=3/PE~440V 60Hz, P=1/N/PE~220-230V 50-60Hz, R=2/PE~220-240V 50-60Hz, U=1/N/PE~240V 50-60Hz, V=3/PE~240V 50-60Hz, W=1/N/PE~100-110V 50-60Hz

vsezip.ru

+7(812)987-08-81



| ID                            | P-code   | SN from | SN to | Mod  | Acces. | Volt | Description                                |
|-------------------------------|----------|---------|-------|------|--------|------|--|
| <b>Module: Electric parts</b> |          |         |       |      |        |      |  |
| 2100                          | 15160    |         | -     | e,uw |        | A    | Fuse 5x20 10A                              |
| 2105                          | 15163    |         | -     | e,uw |        | A    | Fuse 5x20 1A                               |
| 2110                          | 3006090  |         | -     | e,uw |        | A    | Clamp 35 mm <sup>2</sup>                   |
| 2115                          | 3006091  |         | -     | e,uw |        | A    | Earth clamp 35 mm <sup>2</sup>             |
| 2120                          | 10300403 |         | -     | e,uw |        | A    | Clamp 6 mm <sup>2</sup>                    |
| 2125                          | 3006066  |         | -     | e,uw |        | A    | Contactora                                 |
| 2130                          | 3006072  |         | -     | e,uw |        | A    | Double clamp 4 mm <sup>2</sup>             |
| 2135                          | 3006093  |         | -     | e,uw |        | A    | DIN guide backstop                         |
| 2140                          | 2000370  |         | -     | e,uw |        | A    | Contactora MC9                             |
| 2145                          | 2000380  |         | -     | e,uw |        | A    | Contactora BF12 (heating element < 9 kW)   |
| 2145                          | 2000385  |         | -     | e,uw |        | A    | Contactora BF20 (heating element > 9 kW)   |
| 2150                          | 2000385  |         | -     | e,uw |        | A    | Contactora BF20                            |
| 2155                          | 2000390  |         | -     | e,uw |        | A    | Motorprotector 1 - 1.6A                    |
| 2160                          | 2000393  |         | -     | e,uw |        | A    | Motorprotector 1,6-2,5A                    |
| 2165                          | 2000400  |         | -     | e,uw |        | A    | Motorprotector 4-6,3A                      |
| 2170                          | 3006085  |         | -     | e,uw |        | A    | 2 position electrical contactora LMS25     |
| 2170                          | 3006086  |         | -     | e,uw |        | A    | 3 position electrical contactora LMS25     |
| 2170                          | 3006100  |         | -     | e,uw |        | A    | 4 position electrical contactora LMS25     |
| 2170                          | 3006101  |         | -     | e,uw |        | A    | 5 position electrical contactora LMS25     |
| 2175                          | 3006087  |         | -     | e,uw |        | A    | Clamp                                      |
| 2180                          | 2000403  |         | -     | e,uw |        | A    | Automatic fuse C20 (heating element < 9kW) |
| 2180                          | 2000404  |         | -     | e,uw |        | A    | Automatic fuse C25 (heating element > 9kW) |
| 2185                          | 2000403  |         | -     | e,uw |        | A    | Automatic fuse C20 (heating element < 9kW) |
| 2185                          | 2000404  |         | -     | e,uw |        | A    | Automatic fuse C25 (heating element > 9kW) |
| 2190                          | 3006061  |         | -     | e,uw |        | A    | Transformer 200VA                          |
| 2200                          | 3006078  |         | -     | e,uw |        | A    | Relay                                      |
| 2205                          | 3006079  |         | -     | e,uw |        | A    | Base for relay                             |
| 2210                          | 3006080  |         | -     | e,uw |        | A    | Auxiliary contact LMS25                    |

e=ELECTRONICAL SWITCHES, uw=LOWER AND UPPER WASHER

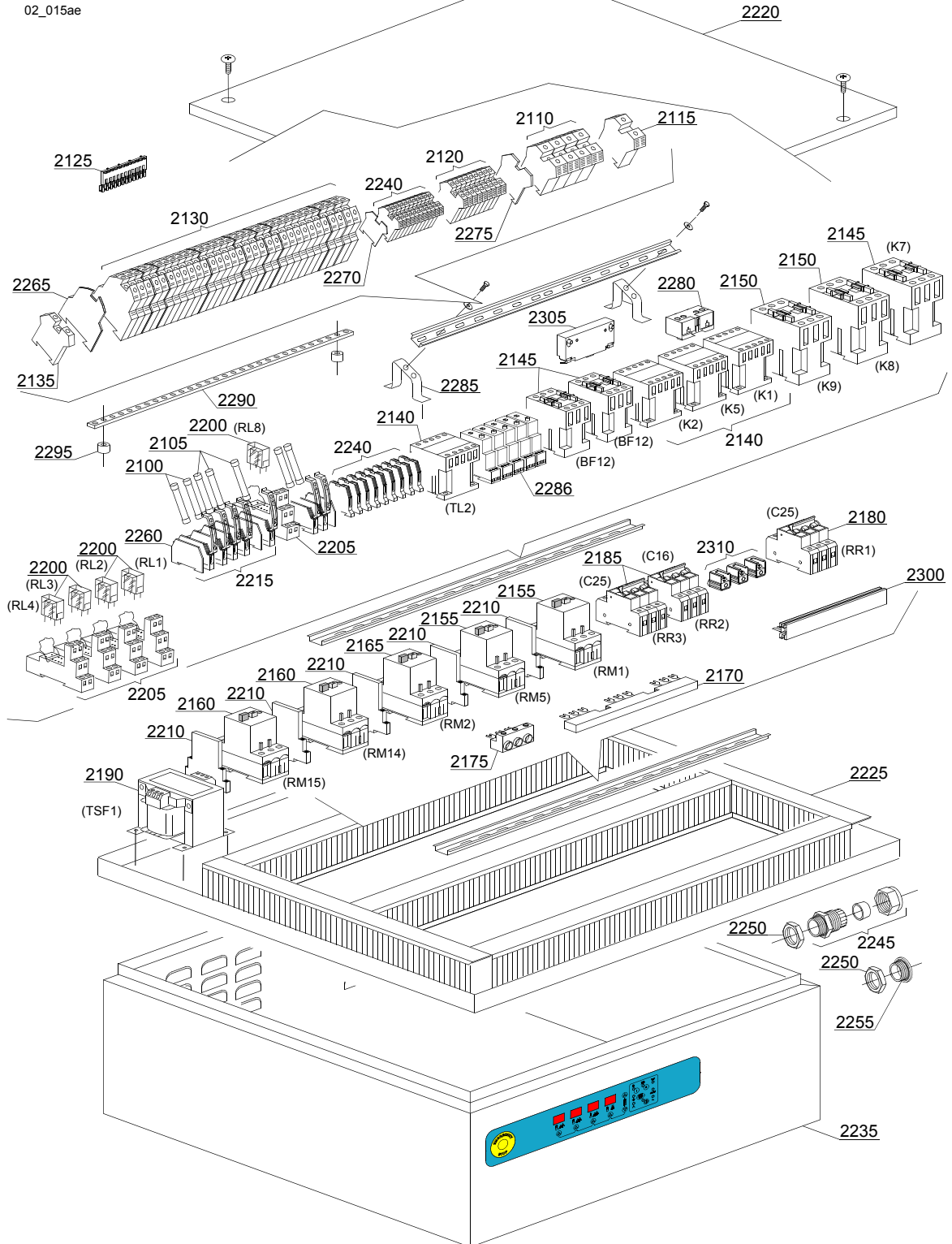
87=87

hr=HEAT RECOVERY - TR98, hp=HEAT PUMP - TR99, sc9=STEAM CONDENSER - LC 91, csa=CONVEYOR SPEED ADJUSTING - LC 101, d9=DRYER - LC 90, cw=ADDITIONAL BOILER FOR COLD WATER SUPPLY, dvgw=DVGW VALVE SYSTEM, szc8=SPLASH ZONE WITH CILINDER - LC 84, ti=TANK INSULATION, ds=DOUBLE SKIN, bp=BOOSTER PUMP, sdn3=DISPENSER SYSTEM SDN-3

A=3/N/PE~380-400V 50-60Hz, D=3/PE~200-210V 50-60Hz, F=2/PE~220-240V 50-60Hz, G=3/N/PE~415V 50-60Hz, H=3/PE~220-230V 50-60Hz, K=3/PE~380-400V 50-60Hz, L=3/PE~415V 50-60Hz, M=3/PE~440V 60Hz, P=1/N/PE~220-230V 50-60Hz, R=2/PE~220-240V 50-60Hz, U=1/N/PE~240V 50-60Hz, V=3/PE~240V 50-60Hz, W=1/N/PE~100-110V 50-60Hz

vsezip.ru

+7(812)987-08-81



| ID                            | P-code  | SN from | SN to | Mod  | Acces. | Volt | Description                                  |
|-------------------------------|---------|---------|-------|------|--------|------|--|
| <b>Module: Electric parts</b> |         |         |       |      |        |      |  |
| 2215                          | 3006147 |         | -     | e,uw |        | A    | Fuse holder                                  |
| 2220                          | 3009197 |         | -     | e,uw |        | A    | Control panel cover                          |
| 2220                          | 3009652 |         | -     | e,uw |        | A    | Control panel cover                          |
| 2225                          | 3009146 |         | -     | e,uw |        | A    | Electric parts pannel                        |
| 2230                          | 3009145 |         | -     | e,uw |        | A    | Comand parts pannel                          |
| 2235                          | 3009672 |         | -     | e,uw |        | A    | Control panel case                           |
| 2235                          | 3009654 |         | -     | e,uw |        | A    | Control panel case                           |
| 2240                          | 3006092 |         | -     | e,uw |        | A    | Clamp 4mm <sup>2</sup>                       |
| 2245                          | 80419   |         | -     | e,uw |        | A    | Cable-fastener PG29                          |
| 2250                          | 80420   |         | -     | e,uw |        | A    | Lock nut                                     |
| 2255                          | 80421   |         | -     | e,uw |        | A    | Plug PG29                                    |
| 2260                          | 3006144 |         | -     | e,uw |        | A    | Fuse holder covering plate                   |
| 2265                          | 3006071 |         | -     | e,uw |        | A    | Double clamp covering plate 4mm <sup>2</sup> |
| 2270                          | 3006083 |         | -     | e,uw |        | A    | Clamp covering plate 4mm <sup>2</sup>        |
| 2275                          | 3006084 |         | -     | e,uw |        | A    | Clamp covering plate 35mm <sup>2</sup>       |
| 2280                          | 3006068 |         | -     | e,uw |        | A    | MC9 auxiliary contact 1NO-1NC                |
| 2280                          | 3002057 |         | -     | e,uw |        | A    | MC9 auxiliary contact 2NO                    |
| 2280                          | 3002052 |         | -     | e,uw |        | A    | MC9 auxiliary contact 2NC                    |
| 2285                          | 3006067 |         | -     | e,uw |        | A    | DIN guide support                            |
| 2286                          | 3006226 |         | -     | e,uw |        | A    | Relay temporized AUTOTIMER 24V               |
| 2290                          | 3006161 |         | -     | e,uw |        | A    | Electrical bonding bar                       |
| 2295                          | 3006162 |         | -     | e,uw |        | A    | Insulators                                   |
| 2300                          | 3006163 |         | -     | e,uw |        | A    | Connection bar                               |
| 2305                          | 3006153 |         | -     | e,uw |        | A    | Mechanical lock safety                       |
| 2310                          | 3006160 |         | -     | e,uw |        | A    | Feed clamp 35mm <sup>2</sup>                 |

e=ELECTRONICAL SWITCHES, uw=LOWER AND UPPER WASHER

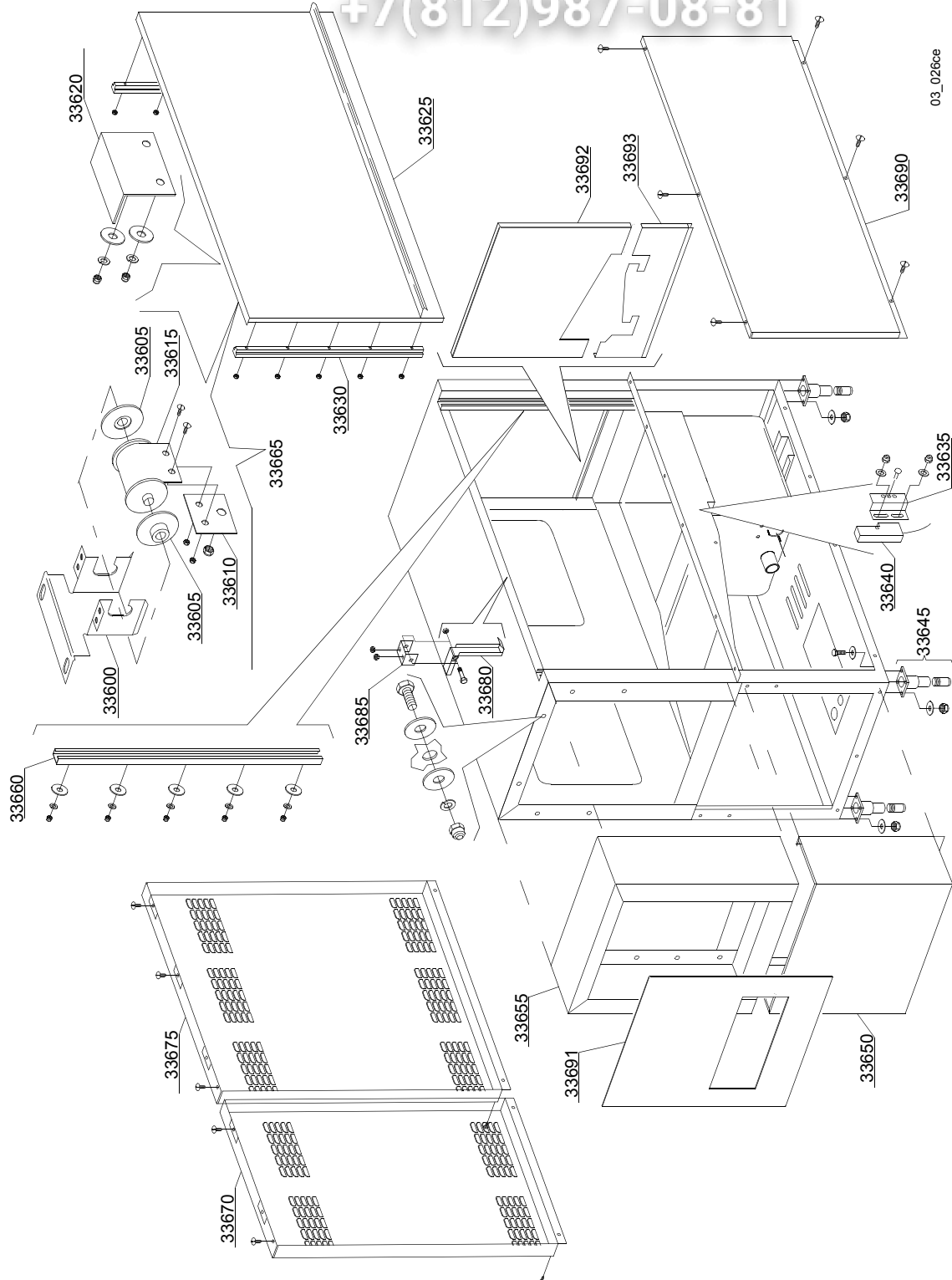
87=87

hr=HEAT RECOVERY - TR98, hp=HEAT PUMP - TR99, sc9=STEAM CONDENSER - LC 91, csa=CONVEYOR SPEED ADJUSTING - LC 101, d9=DRYER - LC 90, cw=ADDITIONAL BOILER FOR COLD WATER SUPPLY, dvgw=DVGW VALVE SYSTEM, szc8=SPLASH ZONE WITH CILINDER - LC 84, ti=TANK INSULATION, ds=DOUBLE SKIN, bp=BOOSTER PUMP, sdn3=DISPENSER SYSTEM SDN-3

A=3/N/PE~380-400V 50-60Hz, D=3/PE~200-210V 50-60Hz, F=2/PE~220-240V 50-60Hz, G=3/N/PE~415V 50-60Hz, H=3/PE~220-230V 50-60Hz, K=3/PE~380-400V 50-60Hz, L=3/PE~415V 50-60Hz, M=3/PE~440V 60Hz, P=1/N/PE~220-230V 50-60Hz, R=2/PE~220-240V 50-60Hz, U=1/N/PE~240V 50-60Hz, V=3/PE~240V 50-60Hz, W=1/N/PE~100-110V 50-60Hz

vsezip.ru

+7(812)987-08-81



03\_026ee

| ID                                   | P-code  | SN from | SN to | Mod  | Acces. | Volt | Description                    |
|--------------------------------------|---------|---------|-------|------|--------|------|--------------------------------|
| <b>Module:General parts mod.1300</b> |         |         |       |      |        |      |                                |
| 33600                                | 3009664 |         | -     | e,uw |        |      | Spring support                 |
| 33605                                | 3004012 |         | -     | e,uw |        |      | Spring holder                  |
| 33610                                | 3009555 |         | -     | e,uw |        |      | Spring clamping plate          |
| 33615                                | 3004010 |         | -     | e,uw |        |      | Door spring BBSR 21            |
| 33620                                | 3009269 |         | -     | e,uw |        |      | Door stop                      |
| 33625                                | 3009404 |         | -     | e,uw |        |      | Door assembly                  |
| 33630                                | 3004026 |         | -     | e,uw |        |      | Door guide                     |
| 33635                                | 3009112 |         | -     | e,uw |        |      | Microswitch support            |
| 33640                                | 3003112 |         | -     | e,uw |        |      | Door microswitch               |
| 33645                                | 80116   |         | -     | e,uw |        |      | Foot                           |
| 33650                                | 3062041 |         | -     | e,uw |        |      | Under door in let SX           |
| 33650                                | 3062042 |         | -     | e,uw |        |      | Under door in let DX           |
| 33655                                | 3020004 |         | -     | e,uw |        |      | Splash zone                    |
| 33660                                | 3009033 |         | -     | e,uw |        |      | Slideways                      |
| 33665                                | 3009905 |         | -     | e,uw |        |      | Spring assembly BBSR 23        |
| 33670                                | 3060081 |         | -     | e,uw |        |      | Back rear L=700mm              |
| 33675                                | 3060082 |         | -     | e,uw |        |      | Back rear L=900mm              |
| 33680                                | 3000323 |         | -     | e,uw |        |      | Hook door                      |
| 33685                                | 3000324 |         | -     | e,uw |        |      | Hook support                   |
| 33690                                | 3009465 |         | -     | e,uw |        |      | Under door mod.1300            |
| 33691                                | 3062001 |         | -     | e,uw |        |      | Entrance closure wall          |
| 33692                                | 3062027 |         | -     | e,uw |        |      | Upper interior divider wall    |
| 33693                                | 3062039 |         | -     | e,uw |        |      | Inferior interior divider wall |

e=ELECTRONICAL SWITCHES, uw=LOWER AND UPPER WASHER

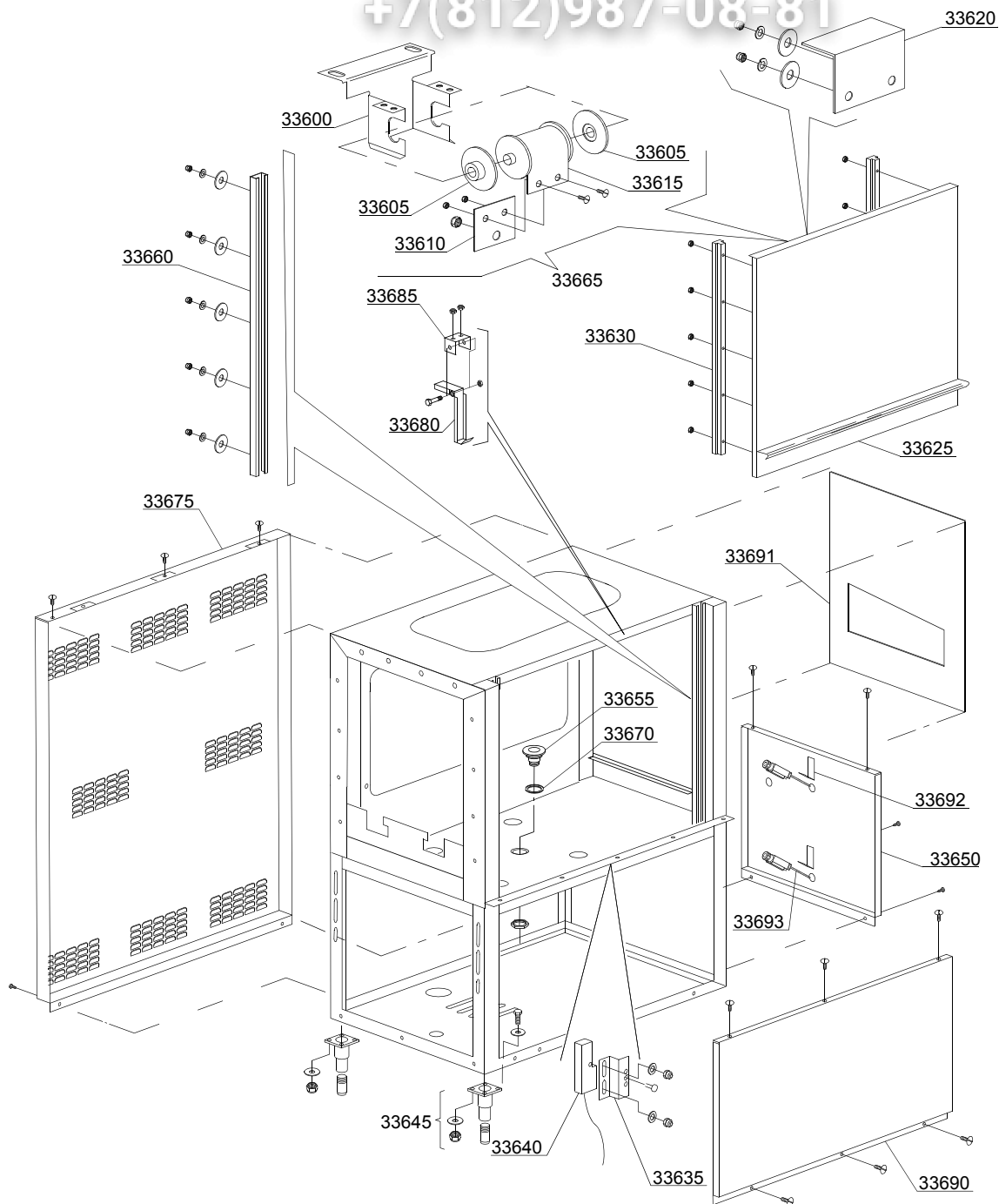
87=87

hr=HEAT RECOVERY - TR98, hp=HEAT PUMP - TR99, sc9=STEAM CONDENSER - LC 91, csa=CONVEYOR SPEED ADJUSTING - LC 101, d9=DRYER - LC 90, cw=ADDITIONAL BOILER FOR COLD WATER SUPPLY, dvgw=DVGW VALVE SYSTEM, szc8=SPLASH ZONE WITH CILINDER - LC 84, ti=TANK INSULATION, ds=DOUBLE SKIN, bp=BOOSTER PUMP, sdn3=DISPENSER SYSTEM SDN-3

A=3/N/PE~380-400V 50-60Hz, D=3/PE~200-210V 50-60Hz, F=2/PE~220-240V 50-60Hz, G=3/N/PE~415V 50-60Hz, H=3/PE~220-230V 50-60Hz, K=3/PE~380-400V 50-60Hz, L=3/PE~415V 50-60Hz, M=3/PE~440V 60Hz, P=1/N/PE~220-230V 50-60Hz, R=2/PE~220-240V 50-60Hz, U=1/N/PE~240V 50-60Hz, V=3/PE~240V 50-60Hz, W=1/N/PE~100-110V 50-60Hz

vsezip.ru

+7(812)987-08-81



03\_026de



| ID                                  | P-code  | SN from | SN to | Mod  | Acces. | Volt | Description               |
|-------------------------------------|---------|---------|-------|------|--------|------|---------------------------|
| <b>Module:General parts mod.900</b> |         |         |       |      |        |      |                           |
| 33600                               | 3009664 |         | -     | e,uw |        |      | Spring support            |
| 33605                               | 3004012 |         | -     | e,uw |        |      | Spring holder             |
| 33610                               | 3009555 |         | -     | e,uw |        |      | Spring clamping plate     |
| 33615                               | 3009906 |         | -     | e,uw |        |      | Door spring BBSR 22       |
| 33620                               | 3009269 |         | -     | e,uw |        |      | Door stop                 |
| 33625                               | 3009403 |         | -     | e,uw |        |      | Door assembly             |
| 33630                               | 3004026 |         | -     | e,uw |        |      | Door guide                |
| 33635                               | 3009112 |         | -     | e,uw |        |      | Microswitch support       |
| 33640                               | 3003112 |         | -     | e,uw |        |      | Door microswitch          |
| 33645                               | 80116   |         | -     | e,uw |        |      | Foot                      |
| 33650                               | 3009188 |         | -     | e,uw |        |      | Under door in outlet SX   |
| 33650                               | 3009189 |         | -     | e,uw |        |      | Under door in outlet DX   |
| 33655                               | 3020004 |         | -     | e,uw |        |      | Splash zone               |
| 33660                               | 3009033 |         | -     | e,uw |        |      | Slideways                 |
| 33675                               | 3060082 |         | -     | e,uw |        |      | Back rear L=900mm         |
| 33680                               | 3000323 |         | -     | e,uw |        |      | Hook door                 |
| 33685                               | 3000324 |         | -     | e,uw |        |      | Hook support              |
| 33690                               | 3009147 |         | -     | e,uw |        |      | Under door mod.900        |
| 33691                               | 3062002 |         | -     | e,uw |        |      | External wall outlet (SX) |
| 33691                               | 3062043 |         | -     | e,uw |        |      | External wall outlet (DX) |
| 33692                               | 3062049 |         | -     | e,uw |        |      | Support tray sensor       |
| 33693                               | 3062050 |         | -     | e,uw |        |      | Tray sensor               |

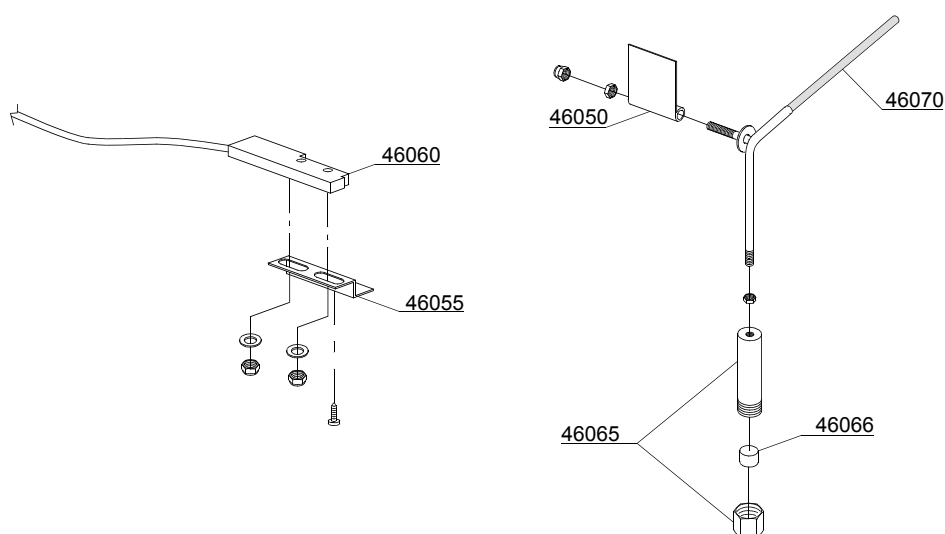
e=ELECTRONICAL SWITCHES, uw=LOWER AND UPPER WASHER

87=87

hr=HEAT RECOVERY - TR98, hp=HEAT PUMP - TR99, sc9=STEAM CONDENSER - LC 91, csa=CONVEYOR SPEED ADJUSTING - LC 101, d9=DRYER - LC 90, cw=ADDITIONAL BOILER FOR COLD WATER SUPPLY, dvgw=DVGW VALVE SYSTEM, szc8=SPLASH ZONE WITH CILINDER - LC 84, ti=TANK INSULATION, ds=DOUBLE SKIN, bp=BOOSTER PUMP, sdn3=DISPENSER SYSTEM SDN-3

A=3/N/PE~380-400V 50-60Hz, D=3/PE~200-210V 50-60Hz, F=2/PE~220-240V 50-60Hz, G=3/N/PE~415V 50-60Hz, H=3/PE~220-230V 50-60Hz, K=3/PE~380-400V 50-60Hz, L=3/PE~415V 50-60Hz, M=3/PE~440V 60Hz, P=1/N/PE~220-230V 50-60Hz, R=2/PE~220-240V 50-60Hz, U=1/N/PE~240V 50-60Hz, V=3/PE~240V 50-60Hz, W=1/N/PE~100-110V 50-60Hz

03\_104\_e



VALIDO PER VERSIONI DX E SX  
VALID FOR EITHER RIGHT OR LEFT VERSION  
VALABLE POUR VERSION DROITE ET GAUCHE

vsezip.ru

| ID                                   | P-code  | SN from | SN to | Mod. | Acces. | Volt | Description              |
|--------------------------------------|---------|---------|-------|------|--------|------|--------------------------|
| <b>Module: Economizer components</b> |         |         |       |      |        |      |                          |
| 46050                                | 3003061 |         | -     | e,uw |        |      | Economizer support       |
| 46055                                | 3009112 |         | -     | e,uw |        |      | Door microswitch support |
| 46060                                | 3003112 |         | -     | e,uw |        |      | Door microswitch         |
| 46065                                | 3003058 |         | -     | e,uw |        |      | Magnet holder            |
| 46066                                | 3003113 |         | -     | e,uw |        |      | Magnet                   |
| 46070                                | 3062040 |         | -     | e,uw |        |      | Economizer bar           |

e=ELECTRONICAL SWITCHES, uw=LOWER AND UPPER WASHER

87=87

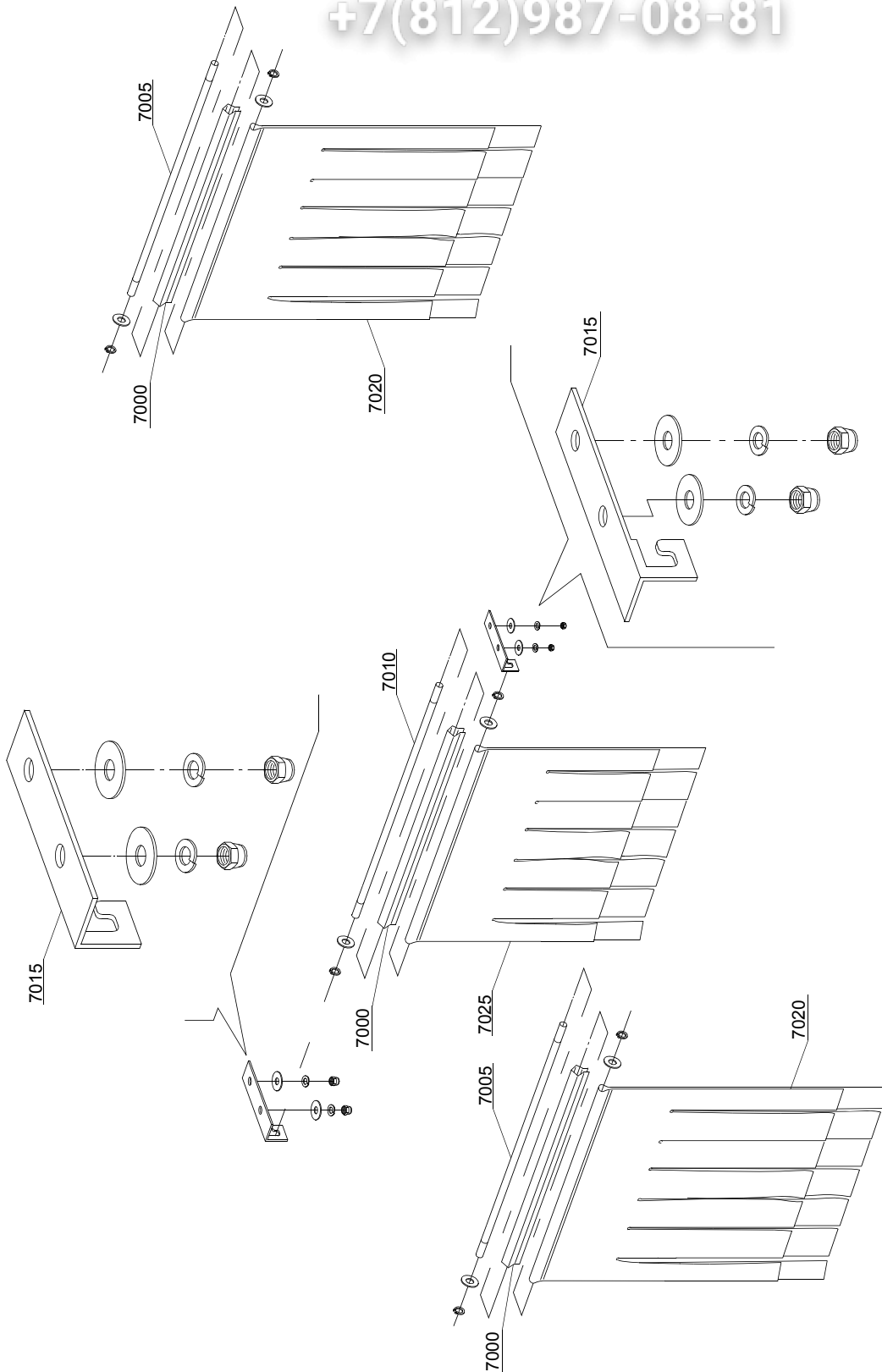
hr=HEAT RECOVERY - TR98, hp=HEAT PUMP - TR99, sc9=STEAM CONDENSER - LC 91, csa=CONVEYOR SPEED ADJUSTING - LC 101, d9=DRYER - LC 90, cw=ADDITIONAL BOILER FOR COLD WATER SUPPLY, dvgw=DVGW VALVE SYSTEM, szc8=SPLASH ZONE WITH CILINDER - LC 84, ti=TANK INSULATION, ds=DOUBLE SKIN, bp=BOOSTER PUMP, sdn3=DISPENSER SYSTEM SDN-3

A=3/N/PE~380-400V 50-60Hz, D=3/PE~200-210V 50-60Hz, F=2/PE~220-240V 50-60Hz, G=3/N/PE~415V 50-60Hz, H=3/PE~220-230V 50-60Hz, K=3/PE~380-400V 50-60Hz, L=3/PE~415V 50-60Hz, M=3/PE~440V 60Hz, P=1/N/PE~220-230V 50-60Hz, R=2/PE~220-240V 50-60Hz, U=1/N/PE~240V 50-60Hz, V=3/PE~240V 50-60Hz, W=1/N/PE~100-110V 50-60Hz

vsezip.ru

+7(812)987-08-81

03\_201\_e



vsezip.ru

| ID                                       | P-code  | SN from | SN to | Mod. | Acces. | Volt | Description       |
|--|---------|---------|-------|------|--------|------|-------------------|
| <b>Module: Curtains group components</b> |         |         |       |      |        |      |                   |
| 7000                                     | 3009109 |         | -     | e,uw |        |      | Curtain moulding  |
| 7005                                     | 3004053 |         | -     | e,uw |        |      | Curtain rod long  |
| 7010                                     | 3004052 |         | -     | e,uw |        |      | Curtain rod short |
| 7015                                     | 3009110 |         | -     | e,uw |        |      | Curtain support   |
| 7020                                     | 3004050 |         | -     | e,uw |        |      | Curtain long      |
| 7025                                     | 3004051 |         | -     | e,uw |        |      | Curtain short     |

e=ELECTRONICAL SWITCHES, uw=LOWER AND UPPER WASHER

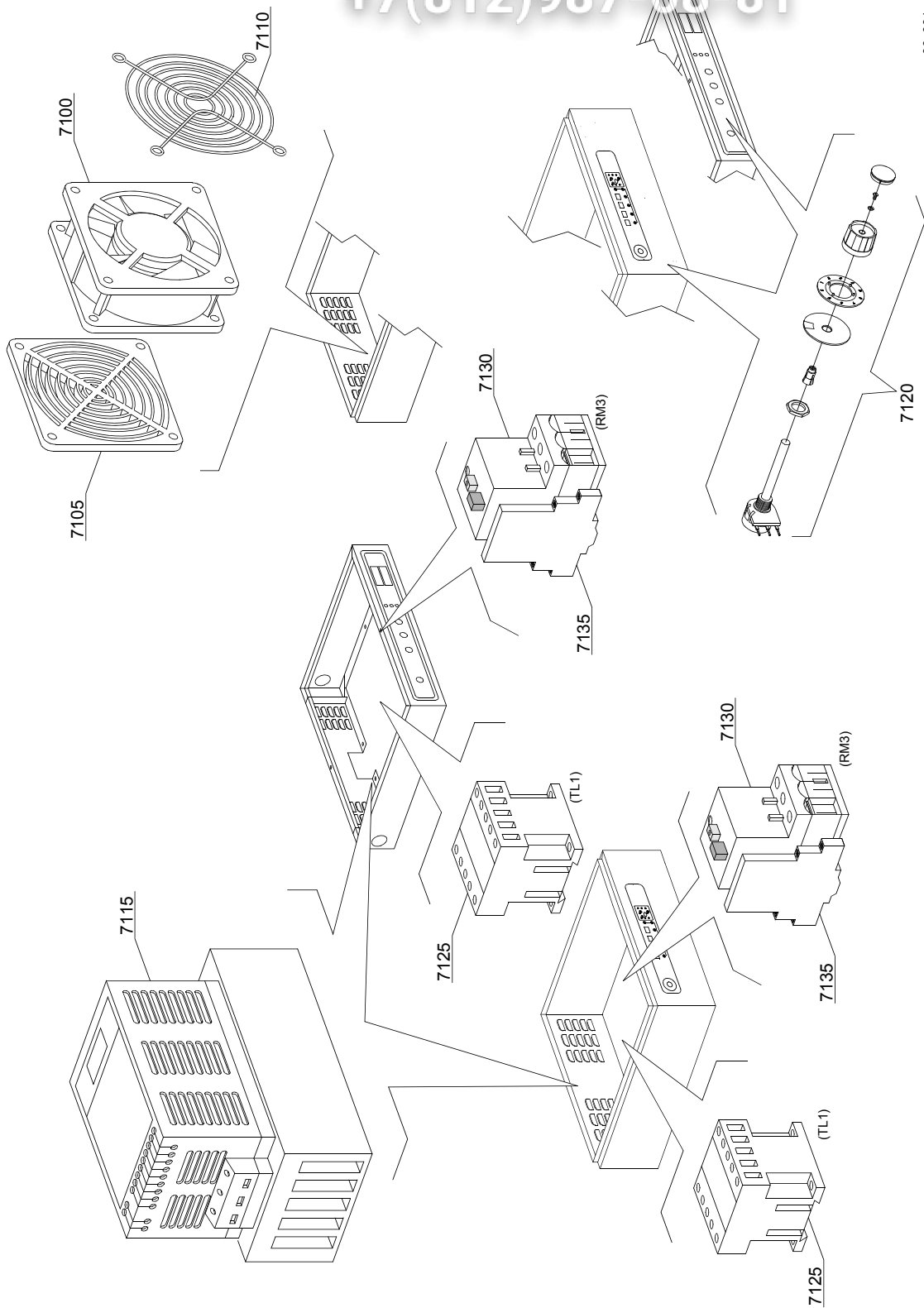
87=87

hr=HEAT RECOVERY - TR98, hp=HEAT PUMP - TR99, sc9=STEAM CONDENSER - LC 91, csa=CONVEYOR SPEED ADJUSTING - LC 101, d9=DRYER - LC 90, cw=ADDITIONAL BOILER FOR COLD WATER SUPPLY, dvgw=DVGW VALVE SYSTEM, szc8=SPLASH ZONE WITH CILINDER - LC 84, ti=TANK INSULATION, ds=DOUBLE SKIN, bp=BOOSTER PUMP, sdn3=DISPENSER SYSTEM SDN-3

A=3/N/PE~380-400V 50-60Hz, D=3/PE~200-210V 50-60Hz, F=2/PE~220-240V 50-60Hz, G=3/N/PE~415V 50-60Hz, H=3/PE~220-230V 50-60Hz, K=3/PE~380-400V 50-60Hz, L=3/PE~415V 50-60Hz, M=3/PE~440V 60Hz, P=1/N/PE~220-230V 50-60Hz, R=2/PE~220-240V 50-60Hz, U=1/N/PE~240V 50-60Hz, V=3/PE~240V 50-60Hz, W=1/N/PE~100-110V 50-60Hz

vsezip.ru

+7(812)987-08-81



06\_001\_e

vsezip.ru

| ID                      | P-code    | SN from | SN to | Mod. | Acces. | Volt | Description             |
|-------------------------|-----------|---------|-------|------|--------|------|-------------------------|
| <b>Module: Inverter</b> |           |         |       |      |        |      |                         |
| 7100                    | 3000118   |         | -     | e,uw |        | A    | Impeller fan            |
| 7105                    | 3000118/A |         | -     | e,uw |        | A    | Filter                  |
| 7110                    | 3000118/B |         | -     | e,uw |        | A    | Grid                    |
| 7115                    | 3000117   |         | -     | e,uw |        | A    | Inverter 0,37kW         |
| 7120                    | 3000119   |         | -     | e,uw |        | A    | Potentiometer with knob |
| 7125                    | 2000370   |         | -     | e,uw |        | A    | Contactora MC9          |
| 7130                    | 2000400   |         | -     | e,uw |        | A    | Motorprotector 4-6,3A   |
| 7135                    | 3006080   |         | -     | e,uw |        | A    | Auxiliary contact LMS25 |

e=ELECTRONICAL SWITCHES, uw=LOWER AND UPPER WASHER

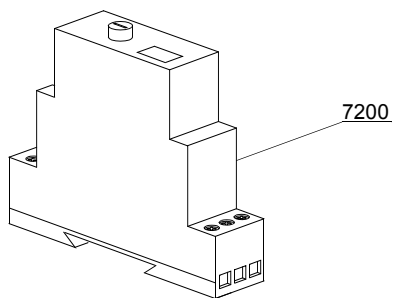
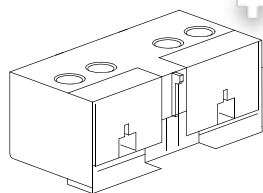
87=87

hr=HEAT RECOVERY - TR98, hp=HEAT PUMP - TR99, sc9=STEAM CONDENSER - LC 91, csa=CONVEYOR SPEED ADJUSTING - LC 101, d9=DRYER - LC 90, cw=ADDITIONAL BOILER FOR COLD WATER SUPPLY, dvgw=DVGW VALVE SYSTEM, szc8=SPLASH ZONE WITH CILINDER - LC 84, ti=TANK INSULATION, ds=DOUBLE SKIN, bp=BOOSTER PUMP, sdn3=DISPENSER SYSTEM SDN-3

A=3/N/PE~380-400V 50-60Hz, D=3/PE~200-210V 50-60Hz, F=2/PE~220-240V 50-60Hz, G=3/N/PE~415V 50-60Hz, H=3/PE~220-230V 50-60Hz, K=3/PE~380-400V 50-60Hz, L=3/PE~415V 50-60Hz, M=3/PE~440V 60Hz, P=1/N/PE~220-230V 50-60Hz, R=2/PE~220-240V 50-60Hz, U=1/N/PE~240V 50-60Hz, V=3/PE~240V 50-60Hz, W=1/N/PE~100-110V 50-60Hz

vsezip.ru

+7(812)987-08-81



07\_001\_e



vsezip.ru

| ID                        | P-code  | SN from | SN to | Mod. | Acces. | Volt | Description                   |
|---------------------------|---------|---------|-------|------|--------|------|-------------------------------|
| <b>Module: Time relay</b> |         |         |       |      |        |      |                               |
| 7200                      | 3006226 |         | -     | e,uw |        | A    | Time relay 24V                |
| 7200                      | 3006226 |         | -     | e,uw |        | A    | Time relay 24V                |
| 7205                      | 3006068 |         | -     | e,uw |        | A    | MC9 auxiliary contact 1NO-1NC |
| 7205                      | 3002057 |         | -     | e,uw |        | A    | MC9 auxiliary contact 2NO     |
| 7205                      | 3002052 |         | -     | e,uw |        | A    | MC9 auxiliary contact 2NC     |

e=ELECTRONICAL SWITCHES, uw=LOWER AND UPPER WASHER

87=87

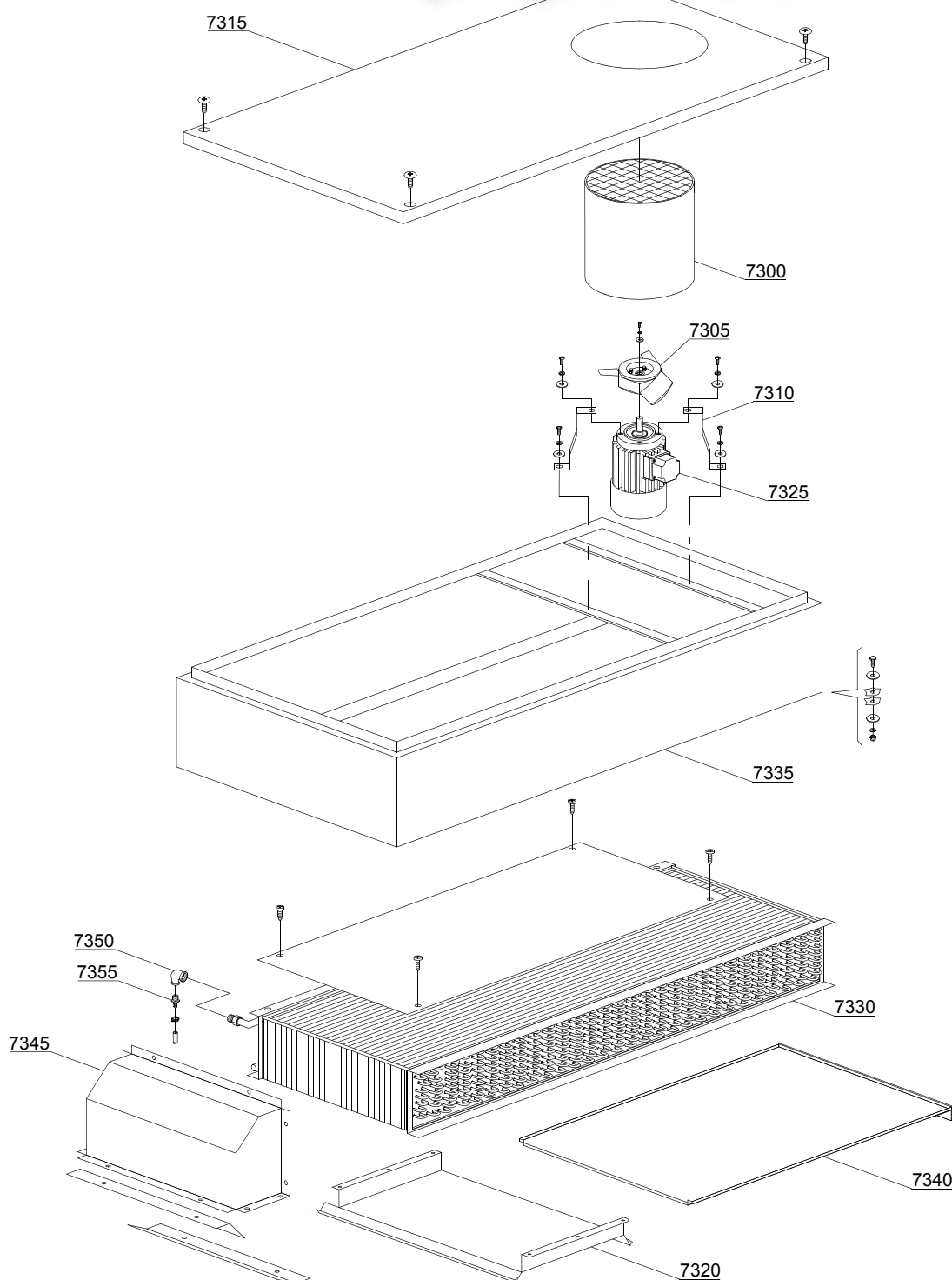
hr=HEAT RECOVERY - TR98, hp=HEAT PUMP - TR99, sc9=STEAM CONDENSER - LC 91, csa=CONVEYOR SPEED ADJUSTING - LC 101, d9=DRYER - LC 90, cw=ADDITIONAL BOILER FOR COLD WATER SUPPLY, dvgw=DVGW VALVE SYSTEM, szc8=SPLASH ZONE WITH CILINDER - LC 84, ti=TANK INSULATION, ds=DOUBLE SKIN, bp=BOOSTER PUMP, sdn3=DISPENSER SYSTEM SDN-3

A=3/N/PE~380-400V 50-60Hz, D=3/PE~200-210V 50-60Hz, F=2/PE~220-240V 50-60Hz, G=3/N/PE~415V 50-60Hz, H=3/PE~220-230V 50-60Hz, K=3/PE~380-400V 50-60Hz, L=3/PE~415V 50-60Hz, M=3/PE~440V 60Hz, P=1/N/PE~220-230V 50-60Hz, R=2/PE~220-240V 50-60Hz, U=1/N/PE~240V 50-60Hz, V=3/PE~240V 50-60Hz, W=1/N/PE~100-110V 50-60Hz

vsezip.ru

+7(812)987-08-81

09\_001\_e



| ID  | P-code  | SN from | SN to | Mod. | Acces. | Volt | Description                     |
|---|---------|---------|-------|------|--------|------|---------------------------------|
| <b>Module:Heat recovery TR98 / F26 - part 1</b> |         |         |       |      |        |      |                                 |
| 7300  | 3009499 |         | -     | e,uw |        |      | Chimney                         |
| 7305  | 3000125 |         | -     | e,uw |        |      | Impeller fan                    |
| 7310  | 3009106 |         | -     | e,uw |        |      | Motor holder                    |
| 7315  | 3009318 |         | -     | e,uw |        |      | Cover TR98                      |
| 7320  | 3009090 |         | -     | e,uw |        |      | Suction group                   |
| 7325  | 3000120 |         | -     | e,uw |        | A    | Motor - 0,18KW 4P 230/400V 50HZ |
| 7330  | 3000151 |         | -     | e,uw |        |      | Heating recovery battery        |
| 7335  | 3009498 |         | -     | e,uw |        |      | Complete body                   |
| 7340  | 3009501 |         | -     | e,uw |        |      | Tray                            |
| 7345  | 3009500 |         | -     | e,uw |        |      | Cope                            |
| 7350  | 3002138 |         | -     | e,uw |        |      | Elbow                           |
| 7355  | 12023   |         | -     | e,uw |        |      | Hose holder                     |

e=ELECTRONICAL SWITCHES, uw=LOWER AND UPPER WASHER

87=87

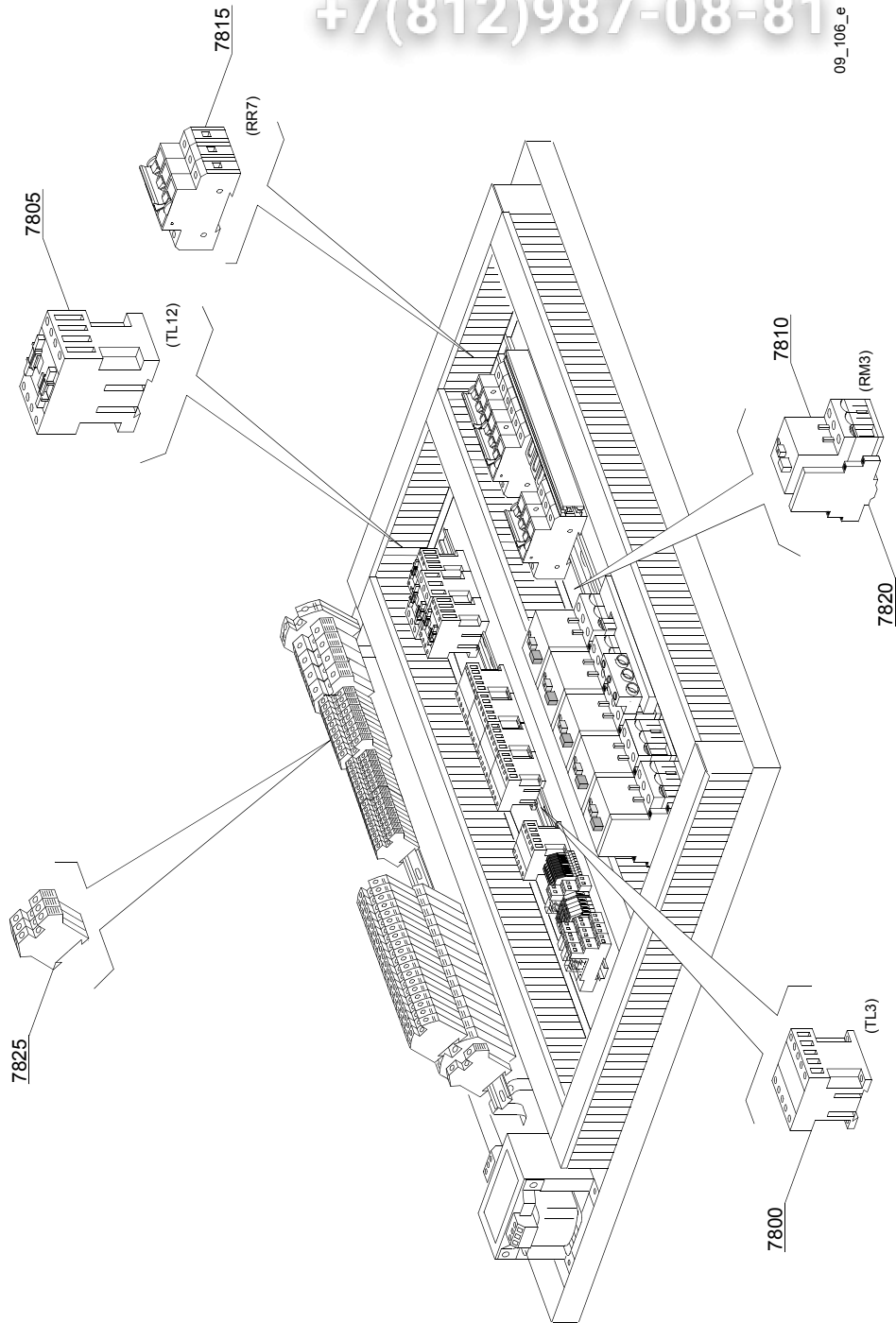
hr=HEAT RECOVERY - TR98, hp=HEAT PUMP - TR99, sc9=STEAM CONDENSER - LC 91, csa=CONVEYOR SPEED ADJUSTING - LC 101, d9=DRYER - LC 90, cw=ADDITIONAL BOILER FOR COLD WATER SUPPLY, dvgw=DVGW VALVE SYSTEM, szc8=SPLASH ZONE WITH CILINDER - LC 84, ti=TANK INSULATION, ds=DOUBLE SKIN, bp=BOOSTER PUMP, sdn3=DISPENSER SYSTEM SDN-3

A=3/N/PE~380-400V 50-60Hz, D=3/PE~200-210V 50-60Hz, F=2/PE~220-240V 50-60Hz, G=3/N/PE~415V 50-60Hz, H=3/PE~220-230V 50-60Hz, K=3/PE~380-400V 50-60Hz, L=3/PE~415V 50-60Hz, M=3/PE~440V 60Hz, P=1/N/PE~220-230V 50-60Hz, R=2/PE~220-240V 50-60Hz, U=1/N/PE~240V 50-60Hz, V=3/PE~240V 50-60Hz, W=1/N/PE~100-110V 50-60Hz

vsezip.ru

+7(812)987-08-81

09\_106\_e



| ID  | P-code   | SN from | SN to | Mod. | Acces. | Volt | Description                                |
|---|----------|---------|-------|------|--------|------|--|
| <b>Module:Heat recovery TR98 / F26 - part 2</b> |          |         |       |      |        |      |  |
| 7800  | 2000370  |         | -     | e,uw |        | A    | Contactora MC9                             |
| 7805  | 2000380  |         | -     | e,uw |        | A    | Contactora BF12 (heating element < 9 kW)   |
| 7805  | 2000385  |         | -     | e,uw |        | A    | Contactora BF20 (heating element > 9 kW)   |
| 7810  | 2000390  |         | -     | e,uw |        | A    | Motorprotector 1 - 1.6A                    |
| 7815  | 2000403  |         | -     | e,uw |        | A    | Automatic fuse C20 (heating element < 9kW) |
| 7815  | 2000404  |         | -     | e,uw |        | A    | Automatic fuse C25 (heating element > 9kW) |
| 7820  | 3006080  |         | -     | e,uw |        | A    | Auxiliary contact LMS25                    |
| 7825  | 10300403 |         | -     | e,uw |        | A    | Clamp 6 mm <sup>2</sup>                    |

e=ELECTRONICAL SWITCHES, uw=LOWER AND UPPER WASHER

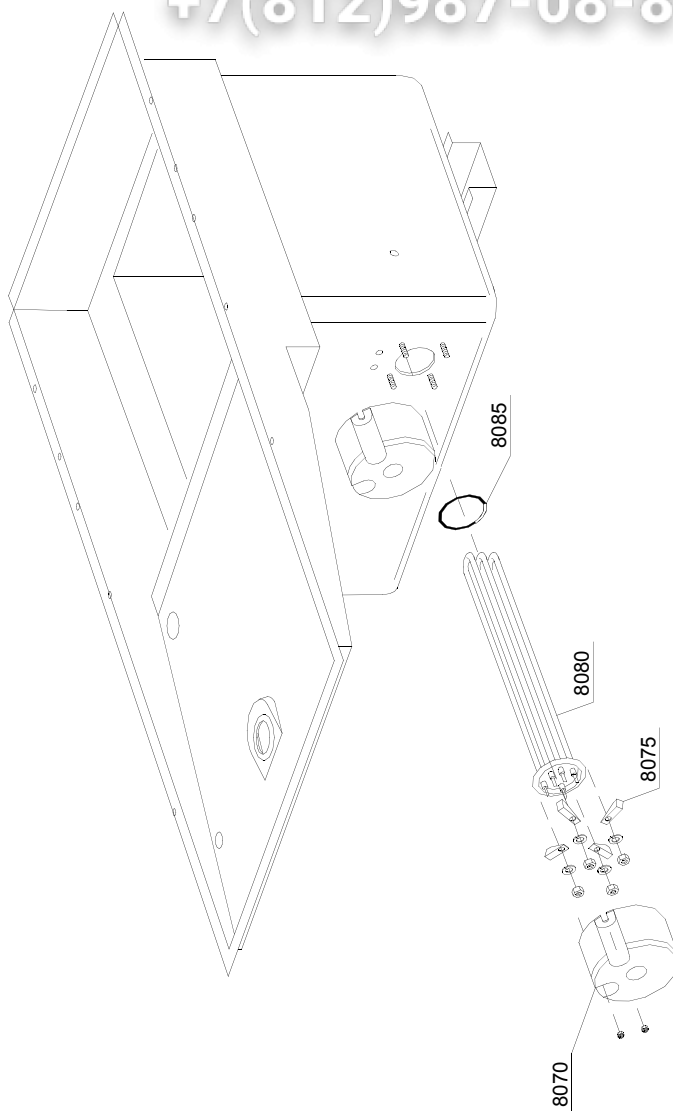
87=87

hr=HEAT RECOVERY - TR98, hp=HEAT PUMP - TR99, sc9=STEAM CONDENSER - LC 91, csa=CONVEYOR SPEED ADJUSTING - LC 101, d9=DRYER - LC 90, cw=ADDITIONAL BOILER FOR COLD WATER SUPPLY, dvgw=DVGW VALVE SYSTEM, szc8=SPLASH ZONE WITH CILINDER - LC 84, ti=TANK INSULATION, ds=DOUBLE SKIN, bp=BOOSTER PUMP, sdn3=DISPENSER SYSTEM SDN-3

A=3/N/PE~380-400V 50-60Hz, D=3/PE~200-210V 50-60Hz, F=2/PE~220-240V 50-60Hz, G=3/N/PE~415V 50-60Hz, H=3/PE~220-230V 50-60Hz, K=3/PE~380-400V 50-60Hz, L=3/PE~415V 50-60Hz, M=3/PE~440V 60Hz, P=1/N/PE~220-230V 50-60Hz, R=2/PE~220-240V 50-60Hz, U=1/N/PE~240V 50-60Hz, V=3/PE~240V 50-60Hz, W=1/N/PE~100-110V 50-60Hz

vsezip.ru

+7(812)987-08-81



vsezip.ru

| ID  | P-code     | SN from | SN to | Mod  | Acces. | Volt | Description                  |
|---|------------|---------|-------|------|--------|------|------------------------------|
| <b>Module:Heat recovery TR98 / F26 - part 3</b> |            |         |       |      |        |      |                              |
| 8070  | 75311      |         | -     | e,uw |        |      | Heating element cover        |
| 8075  | 16045      |         | -     | e,uw |        |      | Heating element support Ø6.3 |
| 8080  | 30001010   |         | -     | e,uw |        |      | Heating element 6kW          |
| 8080  | 30001011   |         | -     | e,uw |        |      | Heating element 9kW          |
| 8080  | 30001011/A |         | -     | e,uw |        |      | Heating element 12kW         |
| 8080  | 30001011/B |         | -     | e,uw |        |      | Heating element 14kW         |
| 8085  | 13015      |         | -     | e,uw |        |      | O-ring 160 (6225)            |

e=ELECTRONICAL SWITCHES, uw=LOWER AND UPPER WASHER

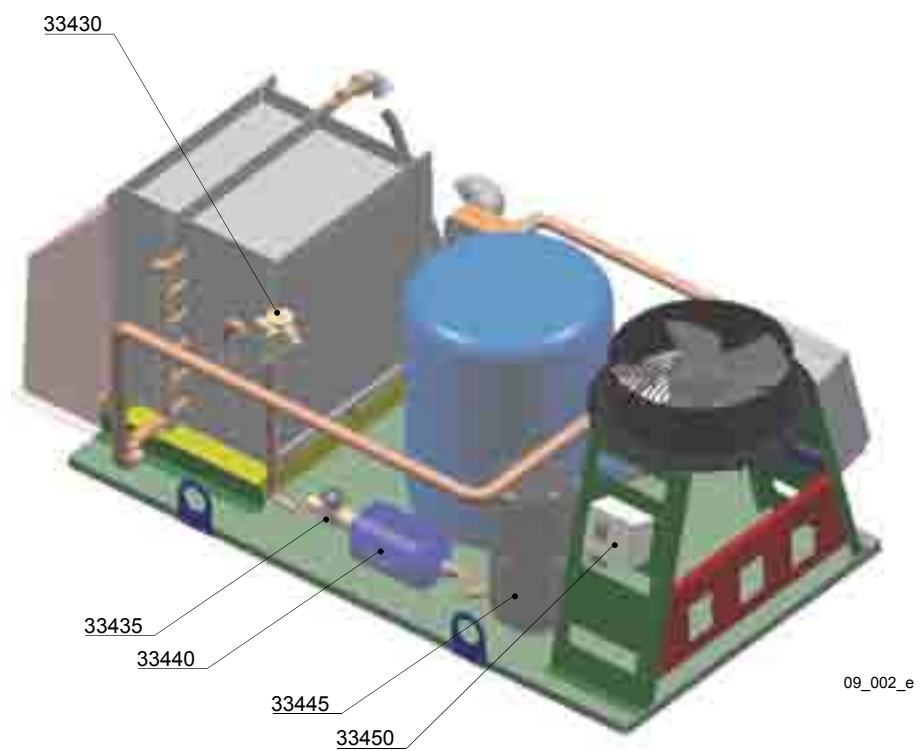
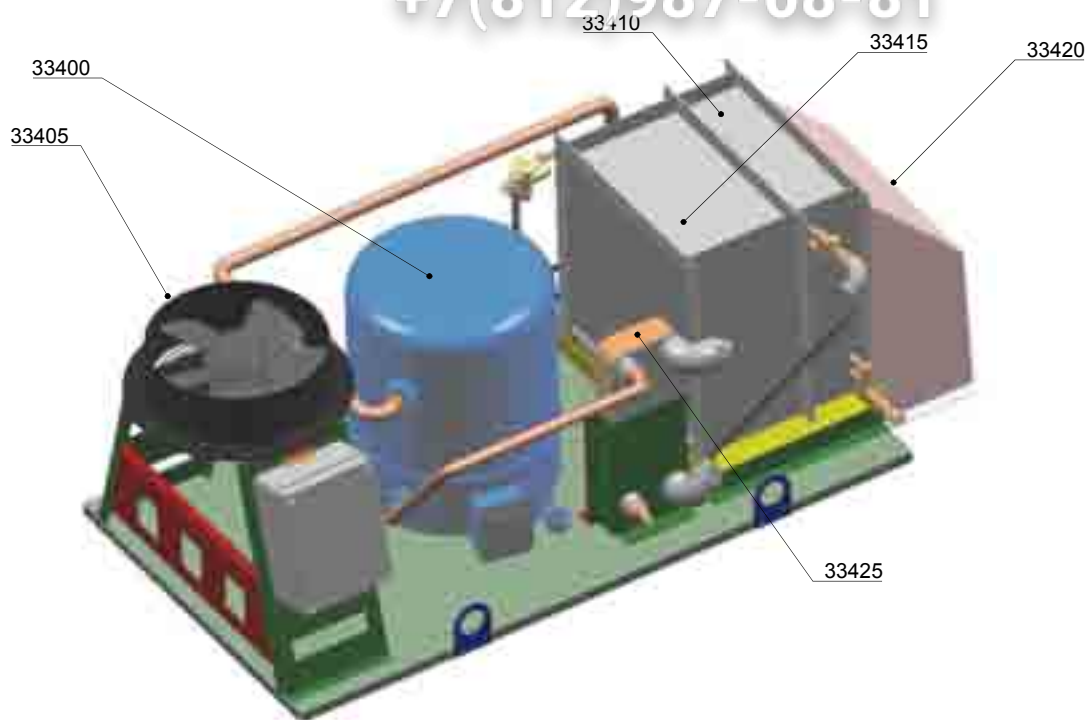
87=87

hr=HEAT RECOVERY - TR98, hp=HEAT PUMP - TR99, sc9=STEAM CONDENSER - LC 91, csa=CONVEYOR SPEED ADJUSTING - LC 101, d9=DRYER - LC 90, cw=ADDITIONAL BOILER FOR COLD WATER SUPPLY, dvgw=DVGW VALVE SYSTEM, szc8=SPLASH ZONE WITH CILINDER - LC 84, ti=TANK INSULATION, ds=DOUBLE SKIN, bp=BOOSTER PUMP, sdn3=DISPENSER SYSTEM SDN-3

A=3/N/PE~380-400V 50-60Hz, D=3/PE~200-210V 50-60Hz, F=2/PE~220-240V 50-60Hz, G=3/N/PE~415V 50-60Hz, H=3/PE~220-230V 50-60Hz, K=3/PE~380-400V 50-60Hz, L=3/PE~415V 50-60Hz, M=3/PE~440V 60Hz, P=1/N/PE~220-230V 50-60Hz, R=2/PE~220-240V 50-60Hz, U=1/N/PE~240V 50-60Hz, V=3/PE~240V 50-60Hz, W=1/N/PE~100-110V 50-60Hz

vsezip.ru

+7(812)987-08-81



09\_002\_e



| ID  | P-code    | SN from | SN to | Mod  | Acces. | Volt | Description                  |
|---|-----------|---------|-------|------|--------|------|------------------------------|
| <b>Module:Heat pump TR99 / F26PC - part 1</b> |           |         |       |      |        |      |                              |
| 33400   | 3000310/B |         | -     | e,uw |        |      | 4 kW Compressor              |
| 33405   | xxxx      |         | -     | e,uw |        |      | Impeller fan                 |
| 33410   | xxxx      |         | -     | e,uw |        |      | Heating recovery battery     |
| 33415   | xxxx      |         | -     | e,uw |        |      | Evaporator                   |
| 33420   | xxxx      |         | -     | e,uw |        |      | Cap for steam collection     |
| 33425   | xxxx      |         | -     | e,uw |        |      | Plate condenser              |
| 33430   | xxxx      |         | -     | e,uw |        |      | Lamination valve             |
| 33435   | 3000310/H |         | -     | e,uw |        |      | Inspection slide             |
| 33440   | 3000310/G |         | -     | e,uw |        |      | Filter                       |
| 33445   | xxxx      |         | -     | e,uw |        |      | Expansion tank               |
| 33450   | xxxx      |         | -     | e,uw |        |      | Differential pressure switch |

e=ELECTRONICAL SWITCHES, uw=LOWER AND UPPER WASHER

87=87

hr=HEAT RECOVERY - TR98, hp=HEAT PUMP - TR99, sc9=STEAM CONDENSER - LC 91, csa=CONVEYOR SPEED ADJUSTING - LC 101, d9=DRYER - LC 90, cw=ADDITIONAL BOILER FOR COLD WATER SUPPLY, dvgw=DVGW VALVE SYSTEM, szc8=SPLASH ZONE WITH CILINDER - LC 84, ti=TANK INSULATION, ds=DOUBLE SKIN, bp=BOOSTER PUMP, sdn3=DISPENSER SYSTEM SDN-3

A=3/N/PE~380-400V 50-60Hz, D=3/PE~200-210V 50-60Hz, F=2/PE~220-240V 50-60Hz, G=3/N/PE~415V 50-60Hz, H=3/PE~220-230V 50-60Hz, K=3/PE~380-400V 50-60Hz, L=3/PE~415V 50-60Hz, M=3/PE~440V 60Hz, P=1/N/PE~220-230V 50-60Hz, R=2/PE~220-240V 50-60Hz, U=1/N/PE~240V 50-60Hz, V=3/PE~240V 50-60Hz, W=1/N/PE~100-110V 50-60Hz

vsezip.ru

+7(812)987-08-81



vsezip.ru

| ID   | P-code    | SN from | SN to | Mod. | Acces. | Volt | Description              |
|--|-----------|---------|-------|------|--------|------|--------------------------|
| <b>Module:Heat pump TR99/1 - F26PC1 - part 1</b> |           |         |       |      |        |      |                          |
| 33400  | 3000310/B |         | -     | e,uw |        |      | 4 kW Compressor          |
| 33405  | 3000310/A |         | -     | e,uw |        |      | Impeller fan             |
| 33410  | 3000310/F |         | -     | e,uw |        |      | Heating recovery battery |
| 33415  | 3000310/E |         | -     | e,uw |        |      | GAS battery              |
| 33420  | 3000310/H |         | -     | e,uw |        |      | Inspection slide         |
| 33425  | 3000310/G |         | -     | e,uw |        |      | Filter                   |

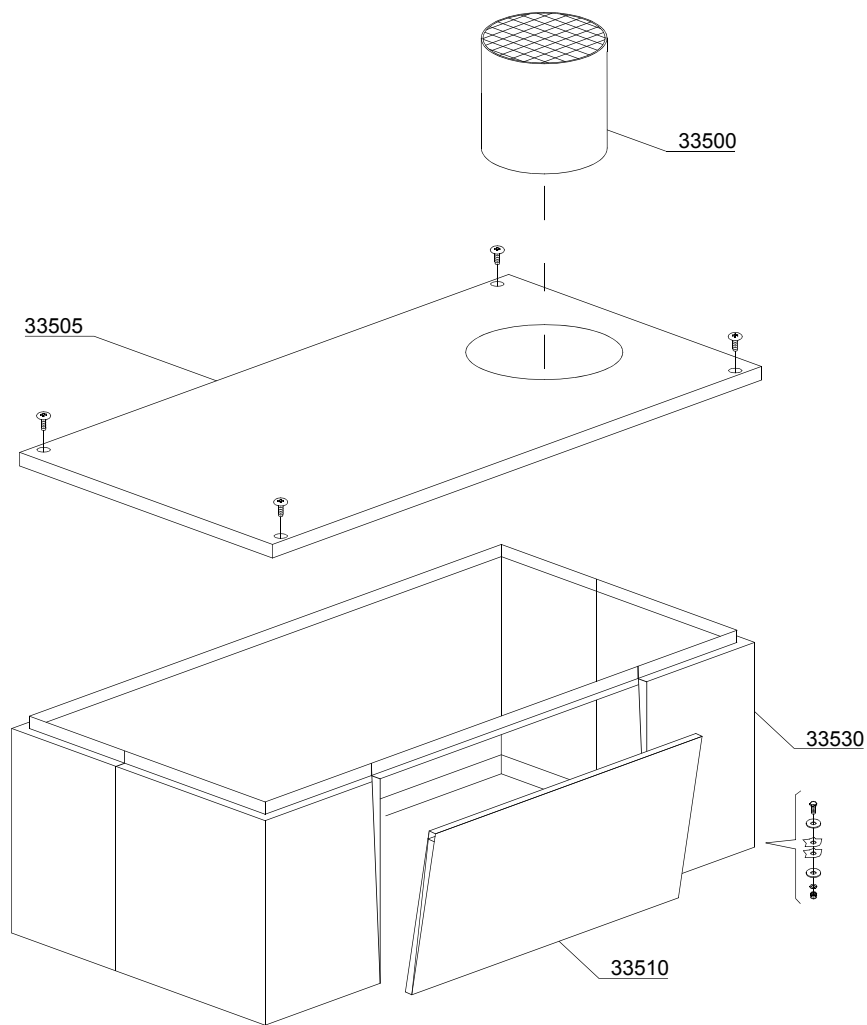
e=ELECTRONICAL SWITCHES, uw=LOWER AND UPPER WASHER

87=87

hr=HEAT RECOVERY - TR98, hp=HEAT PUMP - TR99, sc9=STEAM CONDENSER - LC 91, csa=CONVEYOR SPEED ADJUSTING - LC 101, d9=DRYER - LC 90, cw=ADDITIONAL BOILER FOR COLD WATER SUPPLY, dvgw=DVGW VALVE SYSTEM, szc8=SPLASH ZONE WITH CILINDER - LC 84, ti=TANK INSULATION, ds=DOUBLE SKIN, bp=BOOSTER PUMP, sdn3=DISPENSER SYSTEM SDN-3

A=3/N/PE~380-400V 50-60Hz, D=3/PE~200-210V 50-60Hz, F=2/PE~220-240V 50-60Hz, G=3/N/PE~415V 50-60Hz, H=3/PE~220-230V 50-60Hz, K=3/PE~380-400V 50-60Hz, L=3/PE~415V 50-60Hz, M=3/PE~440V 60Hz, P=1/N/PE~220-230V 50-60Hz, R=2/PE~220-240V 50-60Hz, U=1/N/PE~240V 50-60Hz, V=3/PE~240V 50-60Hz, W=1/N/PE~100-110V 50-60Hz

09\_003\_e



vsezip.ru

| ID   | P-code  | SN from | SN to | Mod. | Acces. | Volt | Description            |
|--|---------|---------|-------|------|--------|------|------------------------|
| <b>Module:Heat pump TR99 / F26PC (TR99/1 - F26PC1, part 2)</b> |         |         |       |      |        |      |                        |
| 33500  | 3009499 |         | -     | e,uw | hp     |      | Chimney TR-99          |
| 33505  | 3060184 |         | -     | e,uw | hp     |      | Impeller fan TR-99     |
| 33510  | 3060077 |         | -     | e,uw | hp     |      | Front body TR-99       |
| 33530  | 3009690 |         | -     | e,uw | hp     |      | Top assembly bodyTR-99 |

e=ELECTRONICAL SWITCHES, uw=LOWER AND UPPER WASHER

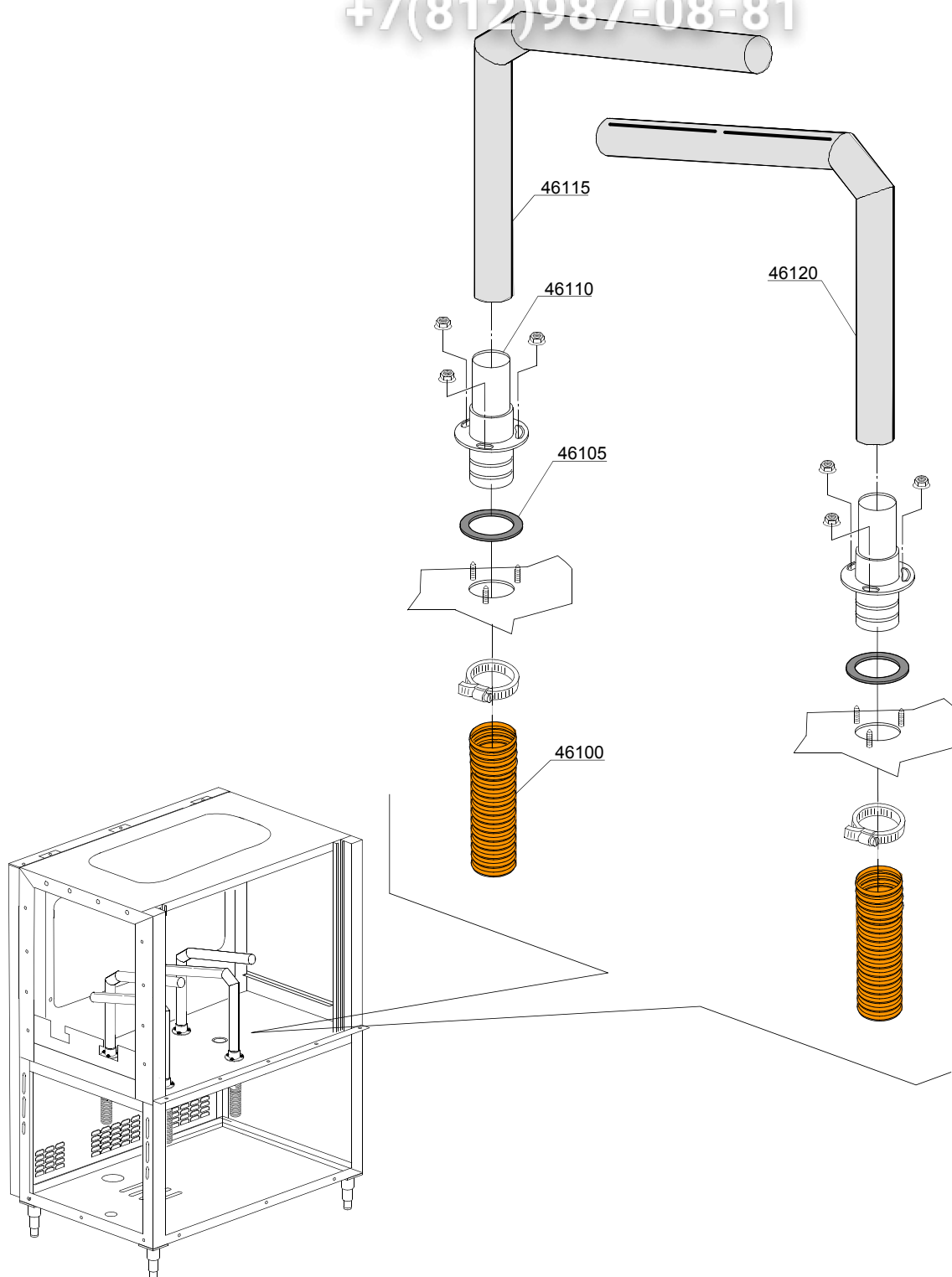
87=87

hr=HEAT RECOVERY - TR98, hp=HEAT PUMP - TR99, sc9=STEAM CONDENSER - LC 91, csa=CONVEYOR SPEED ADJUSTING - LC 101, d9=DRYER - LC 90, cw=ADDITIONAL BOILER FOR COLD WATER SUPPLY, dvgw=DVGW VALVE SYSTEM, szc8=SPLASH ZONE WITH CILINDER - LC 84, ti=TANK INSULATION, ds=DOUBLE SKIN, bp=BOOSTER PUMP, sdn3=DISPENSER SYSTEM SDN-3

A=3/N/PE~380-400V 50-60Hz, D=3/PE~200-210V 50-60Hz, F=2/PE~220-240V 50-60Hz, G=3/N/PE~415V 50-60Hz, H=3/PE~220-230V 50-60Hz, K=3/PE~380-400V 50-60Hz, L=3/PE~415V 50-60Hz, M=3/PE~440V 60Hz, P=1/N/PE~220-230V 50-60Hz, R=2/PE~220-240V 50-60Hz, U=1/N/PE~240V 50-60Hz, V=3/PE~240V 50-60Hz, W=1/N/PE~100-110V 50-60Hz

vsezip.ru

+7(812)987-08-81



12\_103\_e

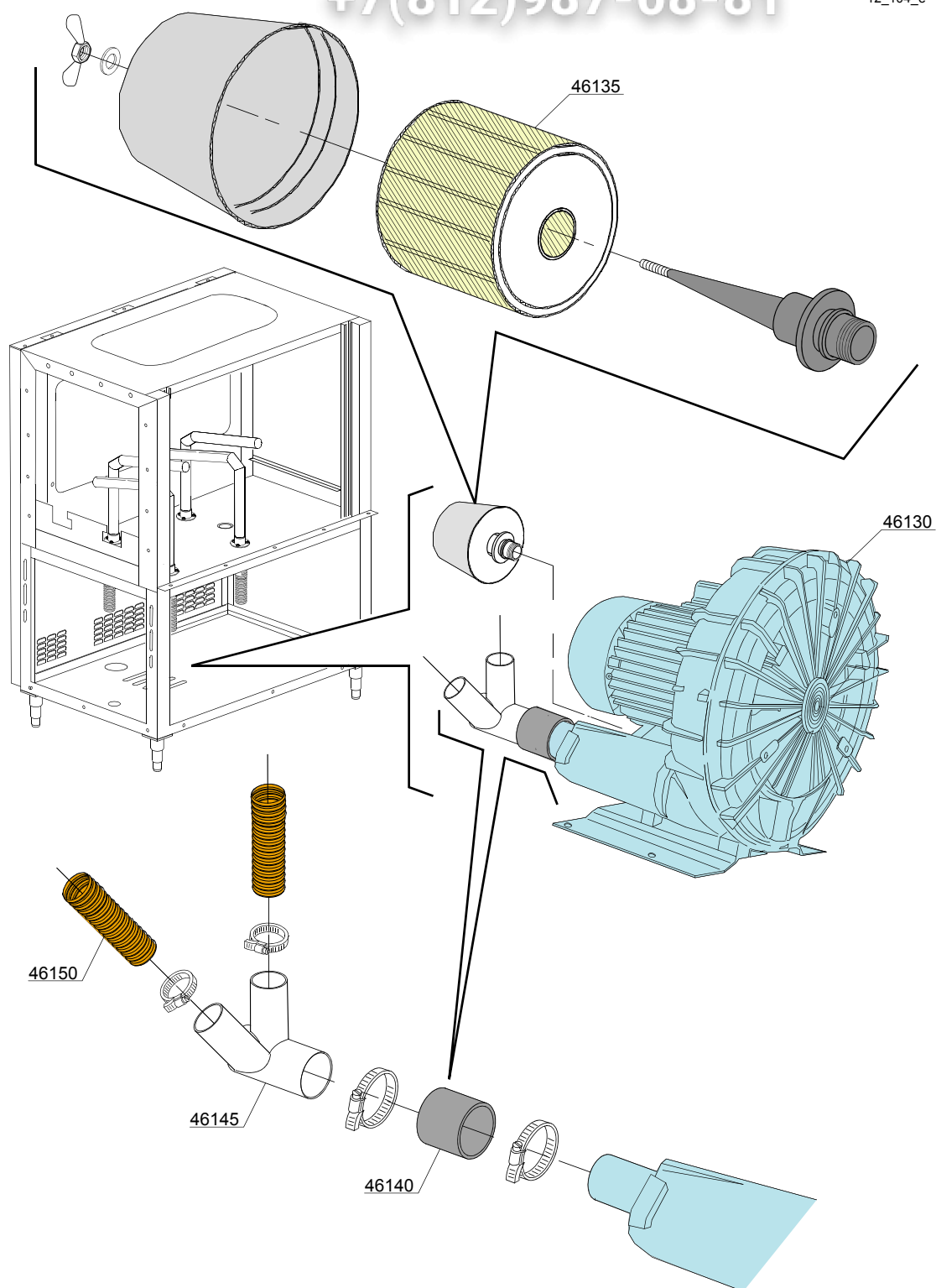
| ID                            | P-code  | SN from | SN to | Mod. | Acces. | Volt | Description                 |
|-------------------------------|---------|---------|-------|------|--------|------|-----------------------------|
| <b>Module: Dryer - part 1</b> |         |         |       |      |        |      |                             |
| 46100                         | 3000312 |         | -     | e,uw |        |      | Tube for turbine (Ø 41)     |
| 46105                         | 3060252 |         | -     | e,uw |        |      | Gasket                      |
| 46110                         | 3062036 |         | -     | e,uw |        |      | Graft blowing tube          |
| 46115                         | 3062035 |         | -     | e,uw |        |      | Back blowing upper tube     |
| 46120                         | 3062034 |         | -     | e,uw |        |      | Front blowing inferior tube |

e=ELECTRONICAL SWITCHES, uw=LOWER AND UPPER WASHER

87=87

hr=HEAT RECOVERY - TR98, hp=HEAT PUMP - TR99, sc9=STEAM CONDENSER - LC 91, csa=CONVEYOR SPEED ADJUSTING - LC 101, d9=DRYER - LC 90, cw=ADDITIONAL BOILER FOR COLD WATER SUPPLY, dvgw=DVGW VALVE SYSTEM, szc8=SPLASH ZONE WITH CILINDER - LC 84, ti=TANK INSULATION, ds=DOUBLE SKIN, bp=BOOSTER PUMP, sdn3=DISPENSER SYSTEM SDN-3

A=3/N/PE~380-400V 50-60Hz, D=3/PE~200-210V 50-60Hz, F=2/PE~220-240V 50-60Hz, G=3/N/PE~415V 50-60Hz, H=3/PE~220-230V 50-60Hz, K=3/PE~380-400V 50-60Hz, L=3/PE~415V 50-60Hz, M=3/PE~440V 60Hz, P=1/N/PE~220-230V 50-60Hz, R=2/PE~220-240V 50-60Hz, U=1/N/PE~240V 50-60Hz, V=3/PE~240V 50-60Hz, W=1/N/PE~100-110V 50-60Hz





| ID                           | P-code  | SN from | SN to | Mod. | Acces. | Volt | Description                                   |
|------------------------------|---------|---------|-------|------|--------|------|---|
| <b>Module:Dryer - part 2</b> |         |         |       |      |        |      |   |
| 46130                        | 3000309 |         | -     | e,uw |        |      | MEDIO JET turbo-blowers (3-kW 230/400V 50Hz)  |
| 46135                        | 3003968 |         | -     | e,uw |        |      | Cartridge filter turbo-blowers                |
| 46140                        | xxxx    |         | -     | e,uw |        |      | Pipe connection "radio " Ø60x120mm            |
| 46145                        | 3060034 |         | -     | e,uw |        |      | 2 ways derivations (Ø 40-40-60) turbo-blowers |
| 46150                        | 3000312 |         | -     | e,uw |        |      | Tube for turbine (Ø 41)                       |

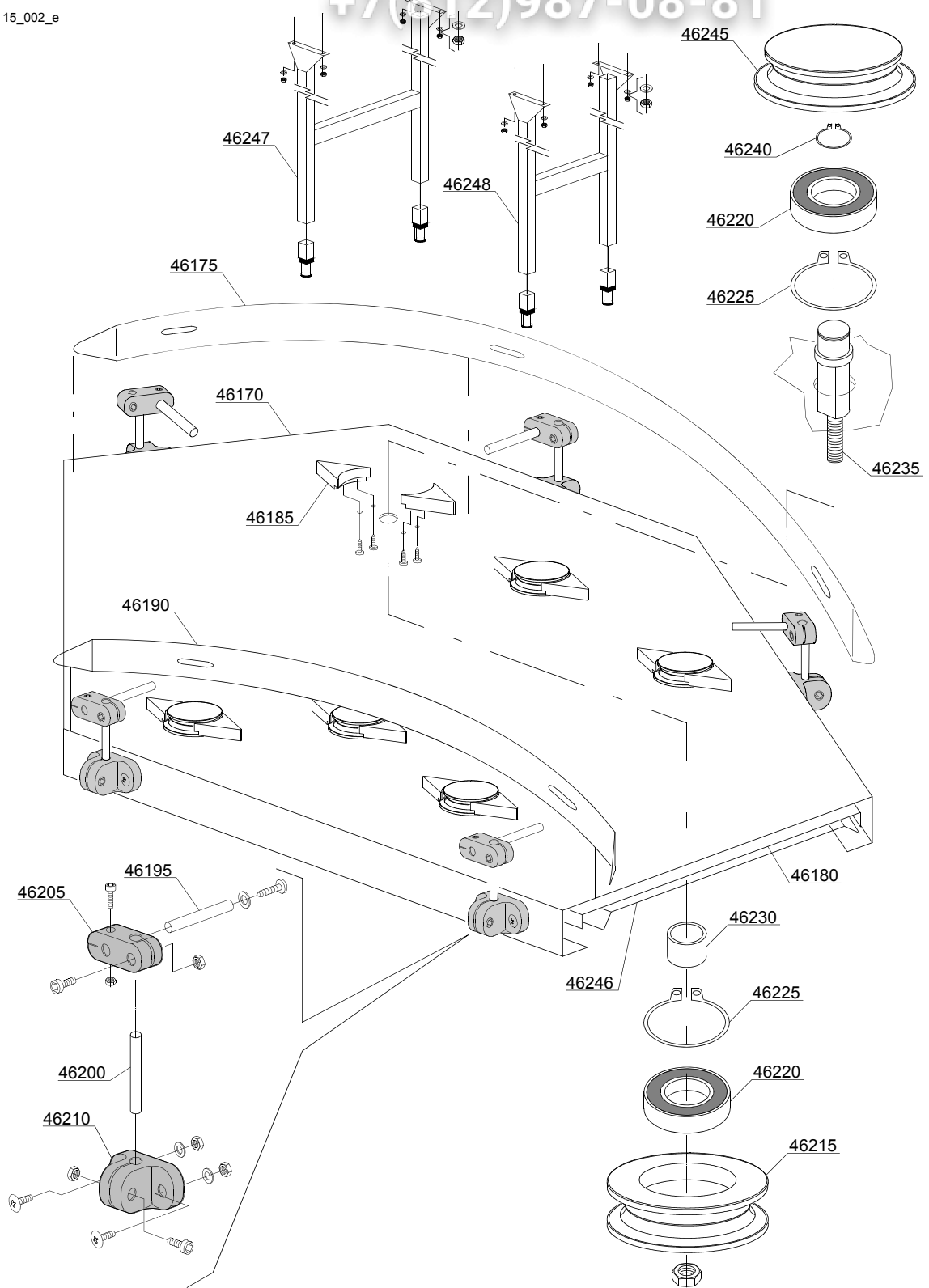
e=ELECTRONICAL SWITCHES, uw=LOWER AND UPPER WASHER

87=87

hr=HEAT RECOVERY - TR98, hp=HEAT PUMP - TR99, sc9=STEAM CONDENSER - LC 91, csa=CONVEYOR SPEED ADJUSTING - LC 101, d9=DRYER - LC 90, cw=ADDITIONAL BOILER FOR COLD WATER SUPPLY, dvgw=DVGW VALVE SYSTEM, szc8=SPLASH ZONE WITH CILINDER - LC 84, ti=TANK INSULATION, ds=DOUBLE SKIN, bp=BOOSTER PUMP, sdn3=DISPENSER SYSTEM SDN-3

A=3/N/PE~380-400V 50-60Hz, D=3/PE~200-210V 50-60Hz, F=2/PE~220-240V 50-60Hz, G=3/N/PE~415V 50-60Hz, H=3/PE~220-230V 50-60Hz, K=3/PE~380-400V 50-60Hz, L=3/PE~415V 50-60Hz, M=3/PE~440V 60Hz, P=1/N/PE~220-230V 50-60Hz, R=2/PE~220-240V 50-60Hz, U=1/N/PE~240V 50-60Hz, V=3/PE~240V 50-60Hz, W=1/N/PE~100-110V 50-60Hz

15\_002\_e



vsezip.ru

| ID                       | P-code  | SN from | SN to | Mod  | Acces. | Volt | Description                       |
|--------------------------|---------|---------|-------|------|--------|------|-----------------------------------|
| <b>Module: Curve 90°</b> |         |         |       |      |        |      |                                   |
| 46170                    | 3061069 |         | -     | e,uw |        |      | Curves base 90°                   |
| 46175                    | 3061060 |         | -     | e,uw |        |      | Curves 90° external lateral guide |
| 46180                    | 3061062 |         | -     | e,uw |        |      | Curves 90° reinforcement          |
| 46185                    | 3061027 |         | -     | e,uw |        |      | Curves seam protection            |
| 46190                    | 3061061 |         | -     | e,uw |        |      | Curves 90° internal lateral guide |
| 46195                    | 3061026 |         | -     | e,uw |        |      | Pin support                       |
| 46200                    | 3061026 |         | -     | e,uw |        |      | Pin support                       |
| 46205                    | 3061037 |         | -     | e,uw |        |      | Ø 10 Cross buckle                 |
| 46210                    | 3061036 |         | -     | e,uw |        |      | Ø 10 "T" buckle                   |
| 46215                    | 3061006 |         | -     | e,uw |        |      | Inferior pulley                   |
| 46220                    | 2000052 |         | -     | e,uw |        |      | Inox bearing 6003 35x17x10        |
| 46225                    | 3061004 |         | -     | e,uw |        |      | Ø 35 UNI7437-35 inox seger        |
| 46230                    | 3061025 |         | -     | e,uw |        |      | Bush for curve                    |
| 46235                    | 3061009 |         | -     | e,uw |        |      | Pulley shaft                      |
| 46240                    | 3061003 |         | -     | e,uw |        |      | Ø 17 UNI7435-17 Inox seger        |
| 46245                    | 3061007 |         | -     | e,uw |        |      | Superior pulley                   |
| 46246                    | 3061063 |         | -     | e,uw |        |      | 90° Curves protection             |
| 46247                    | 3061079 |         | -     | e,uw |        |      | Inox legs curves 90°              |
| 46248                    | 3061057 |         | -     | e,uw |        |      | Inox legs                         |

e=ELECTRONICAL SWITCHES, uw=LOWER AND UPPER WASHER

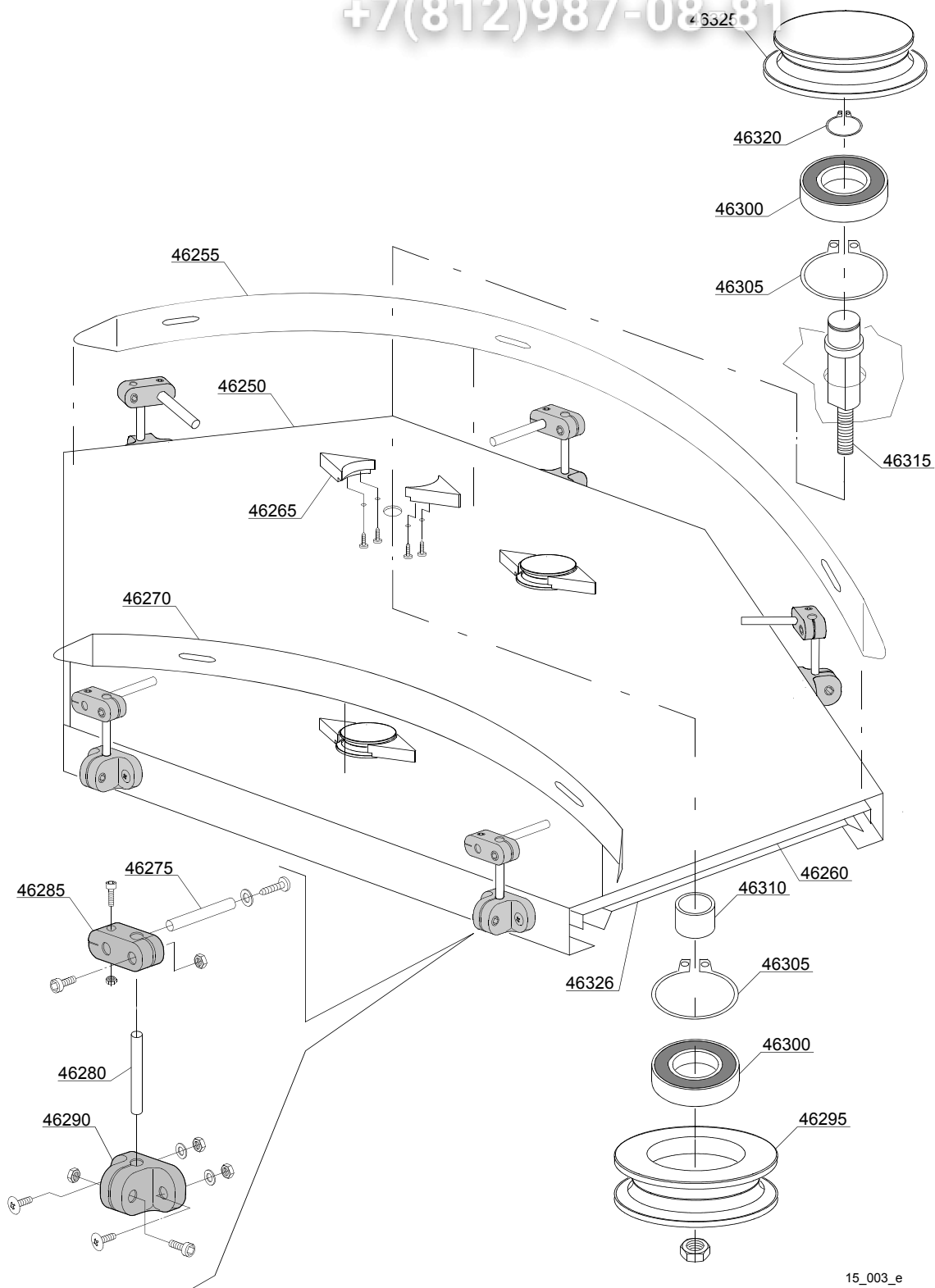
87=87

hr=HEAT RECOVERY - TR98, hp=HEAT PUMP - TR99, sc9=STEAM CONDENSER - LC 91, csa=CONVEYOR SPEED ADJUSTING - LC 101, d9=DRYER - LC 90, cw=ADDITIONAL BOILER FOR COLD WATER SUPPLY, dvgw=DVGW VALVE SYSTEM, szc8=SPLASH ZONE WITH CILINDER - LC 84, ti=TANK INSULATION, ds=DOUBLE SKIN, bp=BOOSTER PUMP, sdn3=DISPENSER SYSTEM SDN-3

A=3/N/PE~380-400V 50-60Hz, D=3/PE~200-210V 50-60Hz, F=2/PE~220-240V 50-60Hz, G=3/N/PE~415V 50-60Hz, H=3/PE~220-230V 50-60Hz, K=3/PE~380-400V 50-60Hz, L=3/PE~415V 50-60Hz, M=3/PE~440V 60Hz, P=1/N/PE~220-230V 50-60Hz, R=2/PE~220-240V 50-60Hz, U=1/N/PE~240V 50-60Hz, V=3/PE~240V 50-60Hz, W=1/N/PE~100-110V 50-60Hz

vsezip.ru

+7(812)987-08-81



15\_003\_e

| ID                       | P-code  | SN from | SN to | Mod. | Acces. | Volt | Description                       |
|--------------------------|---------|---------|-------|------|--------|------|-----------------------------------|
| <b>Module: Curve 45°</b> |         |         |       |      |        |      |                                   |
| 46250                    | 3061064 |         | -     | e,uw |        |      | Curves base 45°                   |
| 46255                    | 3061065 |         | -     | e,uw |        |      | Curves 45° external lateral guide |
| 46260                    | 3061067 |         | -     | e,uw |        |      | Curves 45° reinforcement          |
| 46265                    | 3061027 |         | -     | e,uw |        |      | Curves seam protection            |
| 46270                    | 3061066 |         | -     | e,uw |        |      | Curves 45° internal lateral guide |
| 46275                    | 3061026 |         | -     | e,uw |        |      | Pin support                       |
| 46280                    | 3061026 |         | -     | e,uw |        |      | Pin support                       |
| 46285                    | 3061037 |         | -     | e,uw |        |      | Ø 10 Cross buckle                 |
| 46290                    | 3061036 |         | -     | e,uw |        |      | Ø 10 "T" buckle                   |
| 46295                    | 3061006 |         | -     | e,uw |        |      | Inferior pulley                   |
| 46300                    | 2000053 |         | -     | e,uw |        |      | Inox bearing 6005 47x25x12        |
| 46305                    | 3061004 |         | -     | e,uw |        |      | Ø 35 UNI7437-35 inox seger        |
| 46310                    | 3061025 |         | -     | e,uw |        |      | Bush for curve                    |
| 46315                    | 3061009 |         | -     | e,uw |        |      | Pulley shaft                      |
| 46320                    | 3061003 |         | -     | e,uw |        |      | Ø 17 UNI7435-17 Inox seger        |
| 46325                    | 3061007 |         | -     | e,uw |        |      | Superior pulley                   |
| 46326                    | 3061068 |         | -     | e,uw |        |      | 45° Curves protection             |

e=ELECTRONICAL SWITCHES, uw=LOWER AND UPPER WASHER

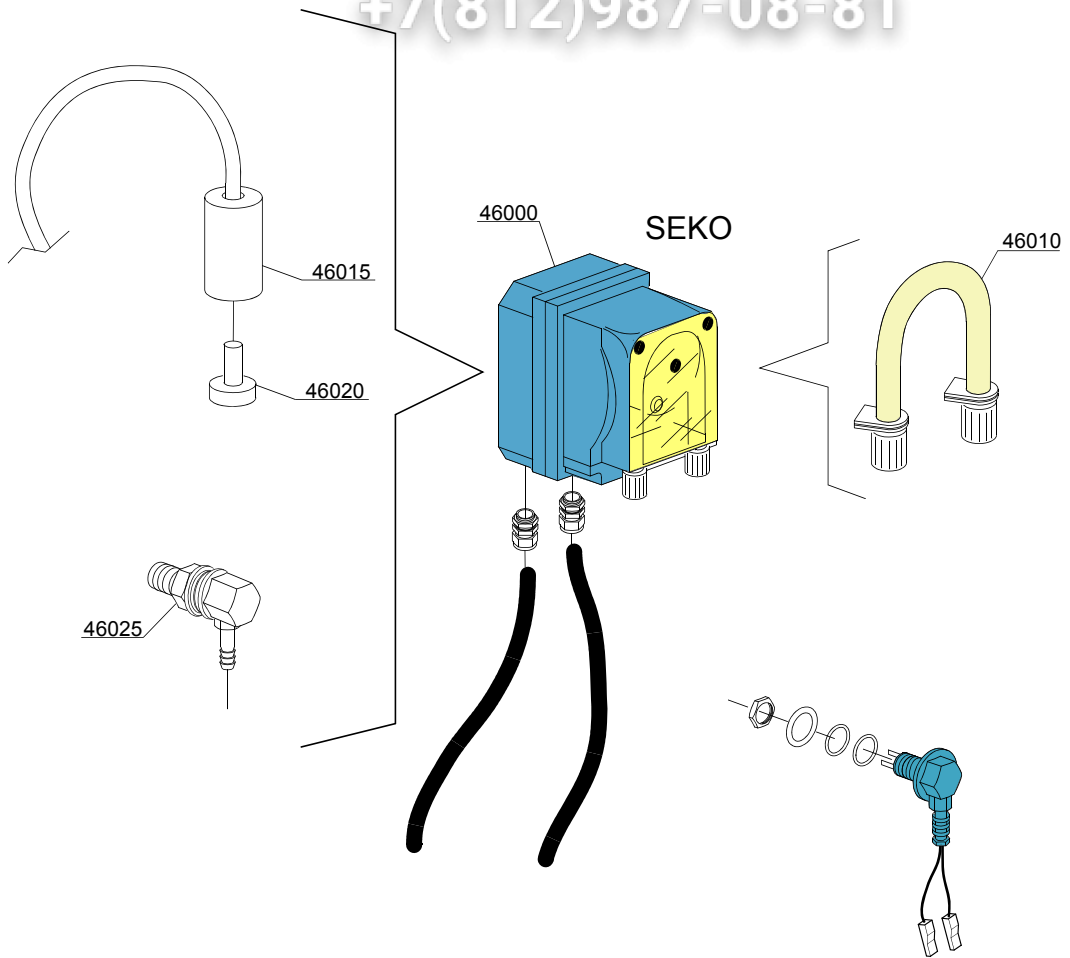
87=87

hr=HEAT RECOVERY - TR98, hp=HEAT PUMP - TR99, sc9=STEAM CONDENSER - LC 91, csa=CONVEYOR SPEED ADJUSTING - LC 101, d9=DRYER - LC 90, cw=ADDITIONAL BOILER FOR COLD WATER SUPPLY, dvgw=DVGW VALVE SYSTEM, szc8=SPLASH ZONE WITH CILINDER - LC 84, ti=TANK INSULATION, ds=DOUBLE SKIN, bp=BOOSTER PUMP, sdn3=DISPENSER SYSTEM SDN-3

A=3/N/PE~380-400V 50-60Hz, D=3/PE~200-210V 50-60Hz, F=2/PE~220-240V 50-60Hz, G=3/N/PE~415V 50-60Hz, H=3/PE~220-230V 50-60Hz, K=3/PE~380-400V 50-60Hz, L=3/PE~415V 50-60Hz, M=3/PE~440V 60Hz, P=1/N/PE~220-230V 50-60Hz, R=2/PE~220-240V 50-60Hz, U=1/N/PE~240V 50-60Hz, V=3/PE~240V 50-60Hz, W=1/N/PE~100-110V 50-60Hz

vsezip.ru

+7(812)987-08-81



14\_004ae

vsezip.ru

| ID                                   | P-code  | SN from | SN to | Mod. | Acces. | Volt | Description                       |
|--------------------------------------|---------|---------|-------|------|--------|------|-----------------------------------|
| <b>Module:Dosing detergent group</b> |         |         |       |      |        |      |                                   |
| 46000                                | 15985/S |         | -     | uw   |        |      | Seko detergent pump               |
| 46005                                | 15158   |         | -     | uw   |        |      | Ø 10 Seko thermoplastic pipe      |
| 46015                                | 12525   |         | -     | uw   |        |      | Counter weight                    |
| 46020                                | 15058   |         | -     | uw   |        |      | Suction filter (minimum 3 pieces) |
| 46025                                | 15123   |         | -     | uw   |        |      | Stell injector (minimum 3 pieces) |

e=ELECTRONICAL SWITCHES, uw=LOWER AND UPPER WASHER

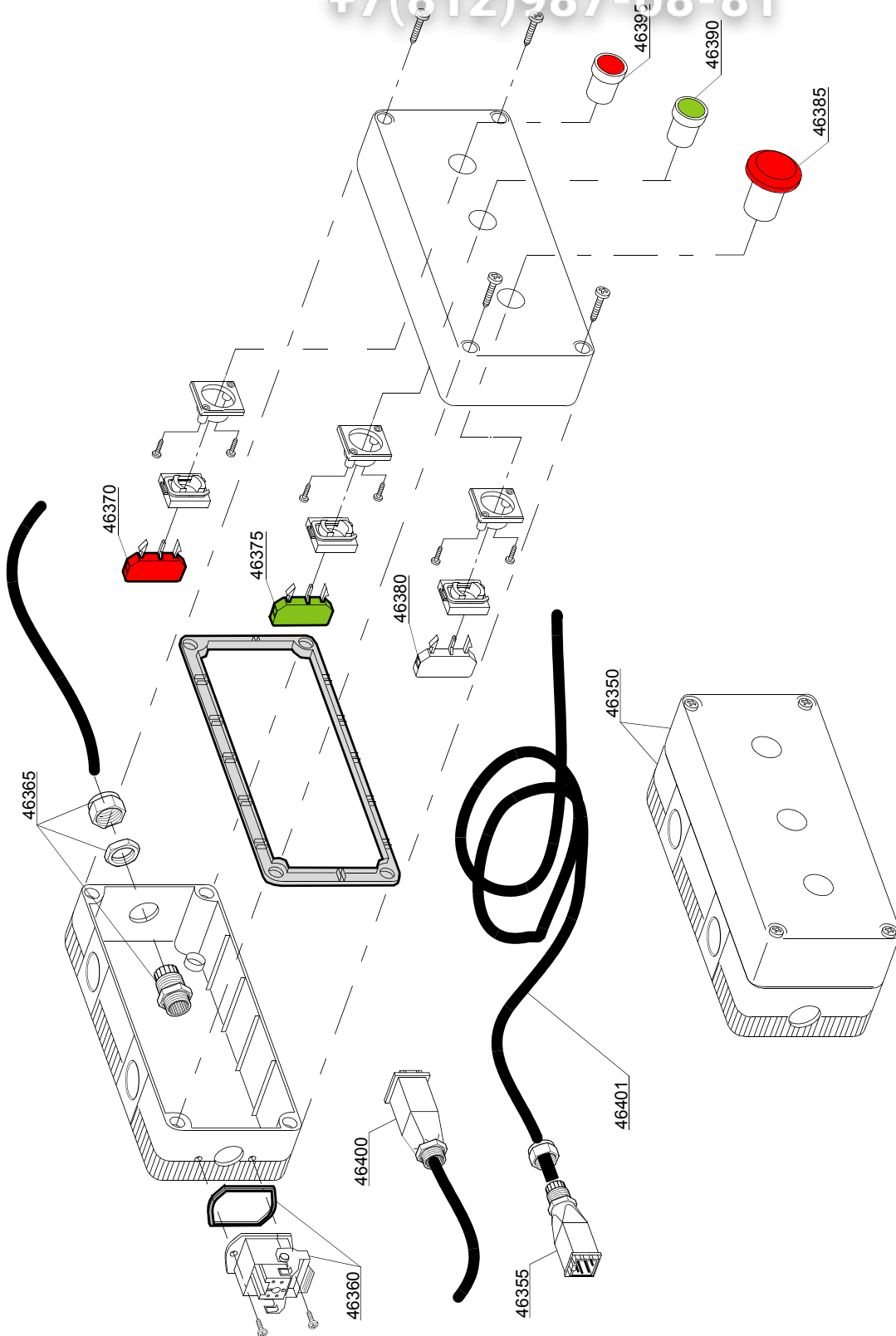
87=87

hr=HEAT RECOVERY - TR98, hp=HEAT PUMP - TR99, sc9=STEAM CONDENSER - LC 91, csa=CONVEYOR SPEED ADJUSTING - LC 101, d9=DRYER - LC 90, cw=ADDITIONAL BOILER FOR COLD WATER SUPPLY, dvgw=DVGW VALVE SYSTEM, szc8=SPLASH ZONE WITH CILINDER - LC 84, ti=TANK INSULATION, ds=DOUBLE SKIN, bp=BOOSTER PUMP, sdn3=DISPENSER SYSTEM SDN-3

A=3/N/PE~380-400V 50-60Hz, D=3/PE~200-210V 50-60Hz, F=2/PE~220-240V 50-60Hz, G=3/N/PE~415V 50-60Hz, H=3/PE~220-230V 50-60Hz, K=3/PE~380-400V 50-60Hz, L=3/PE~415V 50-60Hz, M=3/PE~440V 60Hz, P=1/N/PE~220-230V 50-60Hz, R=2/PE~220-240V 50-60Hz, U=1/N/PE~240V 50-60Hz, V=3/PE~240V 50-60Hz, W=1/N/PE~100-110V 50-60Hz

vsezip.ru

+7(812)987-08-81



15\_304\_e



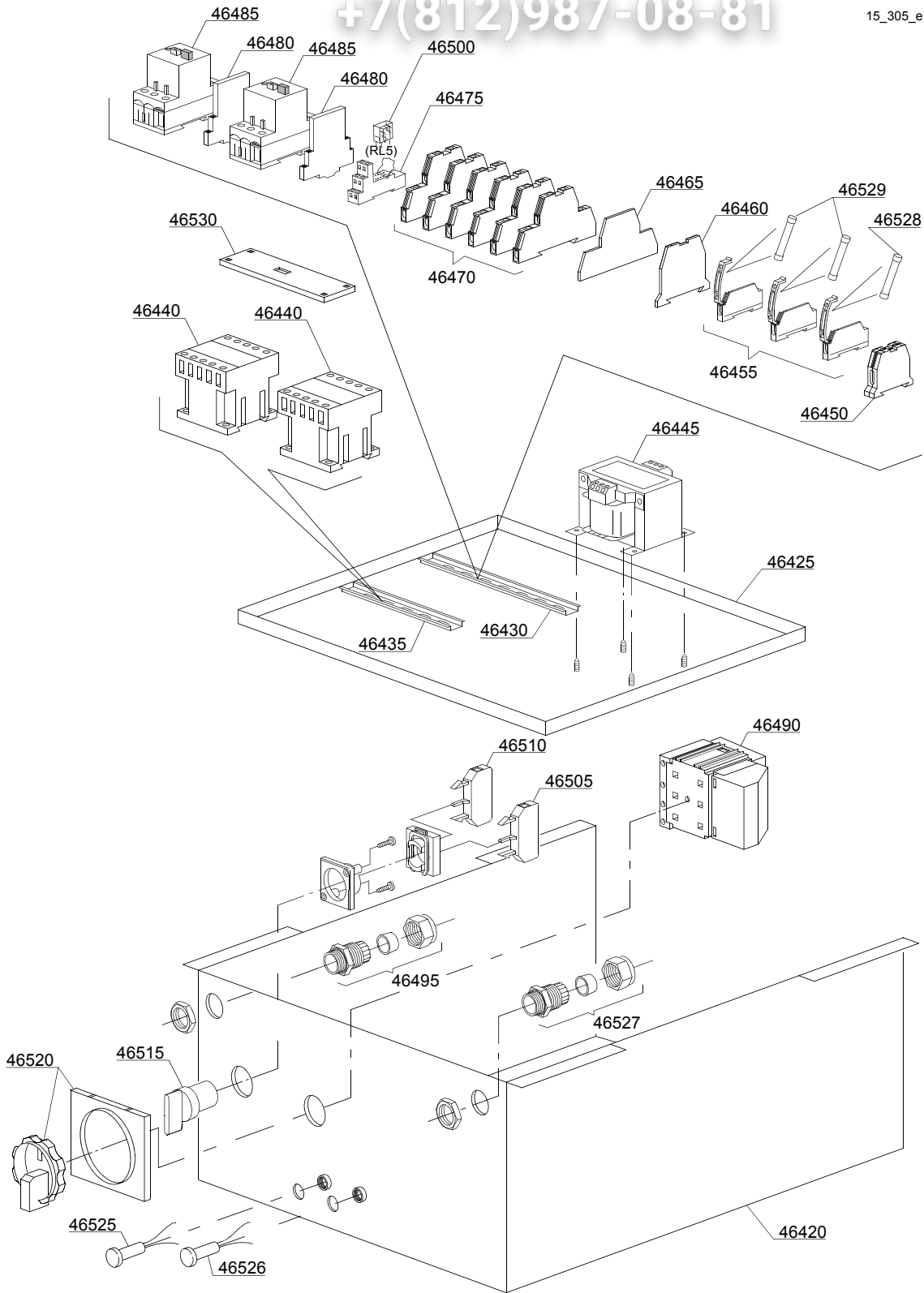
| ID  | P-code   | SN from | SN to | Mod. | Acces. | Volt | Description                |
|---|----------|---------|-------|------|--------|------|----------------------------|
| <b>Module: Set additional control panel: electric parts</b> |          |         |       |      |        |      |                            |
| 46350   | 3061044  |         | -     | e,uw |        |      | Emergency box              |
| 46355   | 3000266  |         | -     | e,uw |        |      | "Male"connection           |
| 46360   | 3000267  |         | -     | e,uw |        |      | "Female"connection         |
| 46365   | 10300412 |         | -     | e,uw |        |      | Fairlead PG13              |
| 46370   | 3002056  |         | -     | e,uw |        |      | 1NC contact (31A5)         |
| 46375   | 3002054  |         | -     | e,uw |        |      | 1NA contact                |
| 46380   | 3002056  |         | -     | e,uw |        |      | 1NC contact (31A5)         |
| 46385   | 3002050  |         | -     | e,uw |        |      | Emergency switch Ø 35      |
| 46390   | 2000284  |         | -     | e,uw |        |      | Switch start green (START) |
| 46395   | 3002055  |         | -     | e,uw |        |      | Button red                 |
| 46400   | 3061046  |         | -     | e,uw |        |      | "Male"connection           |
| 46401   | 3061043  |         | -     | e,uw |        |      | Cable 10x1 PVC             |

e=ELECTRONICAL SWITCHES, uw=LOWER AND UPPER WASHER

87=87

hr=HEAT RECOVERY - TR98, hp=HEAT PUMP - TR99, sc9=STEAM CONDENSER - LC 91, csa=CONVEYOR SPEED ADJUSTING - LC 101, d9=DRYER - LC 90, cw=ADDITIONAL BOILER FOR COLD WATER SUPPLY, dvgw=DVGW VALVE SYSTEM, szc8=SPLASH ZONE WITH CILINDER - LC 84, ti=TANK INSULATION, ds=DOUBLE SKIN, bp=BOOSTER PUMP, sdn3=DISPENSER SYSTEM SDN-3

A=3/N/PE~380-400V 50-60Hz, D=3/PE~200-210V 50-60Hz, F=2/PE~220-240V 50-60Hz, G=3/N/PE~415V 50-60Hz, H=3/PE~220-230V 50-60Hz, K=3/PE~380-400V 50-60Hz, L=3/PE~415V 50-60Hz, M=3/PE~440V 60Hz, P=1/N/PE~220-230V 50-60Hz, R=2/PE~220-240V 50-60Hz, U=1/N/PE~240V 50-60Hz, V=3/PE~240V 50-60Hz, W=1/N/PE~100-110V 50-60Hz



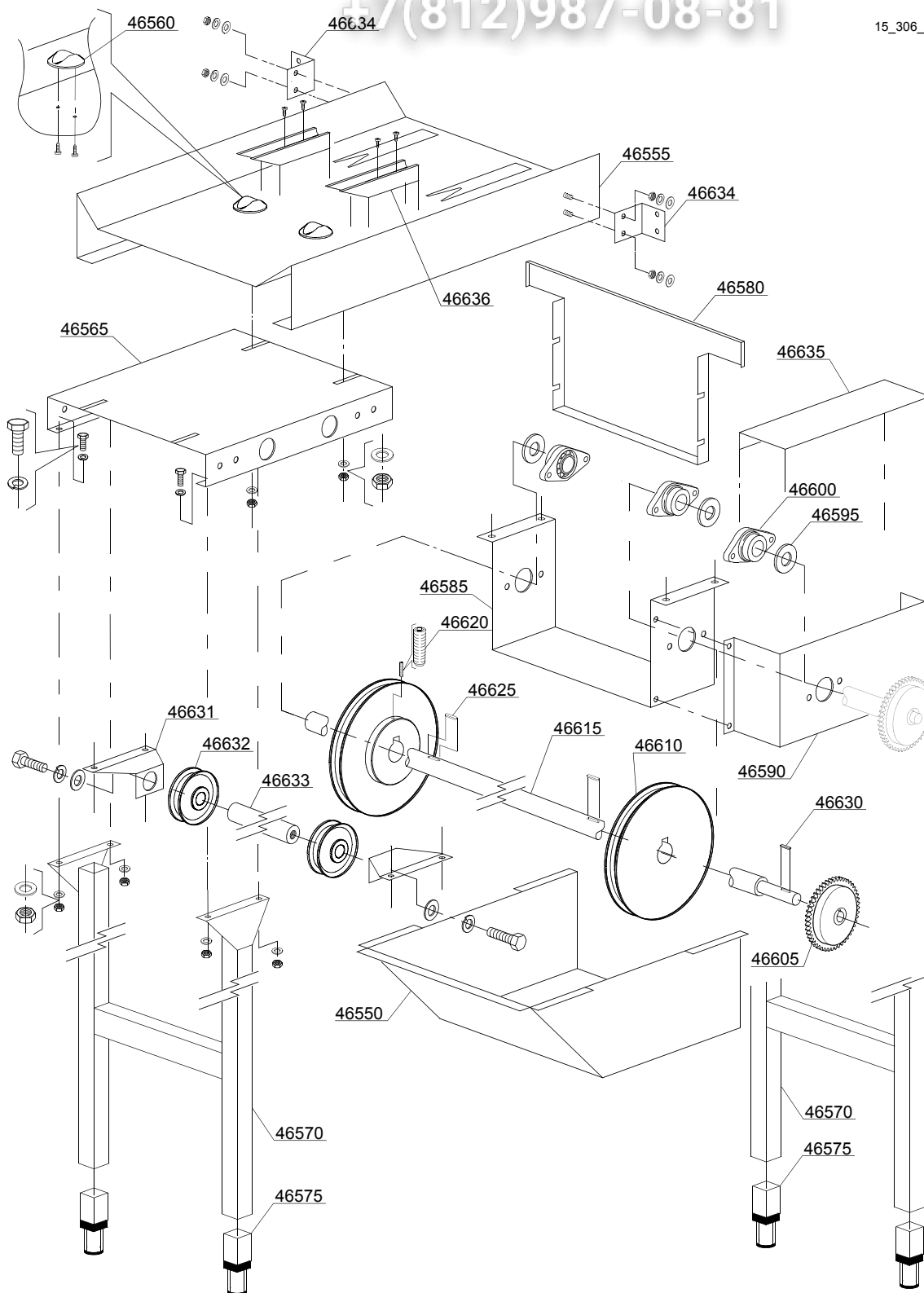
| ID  | P-code   | SN from | SN to | Mod. | Acces. | Volt | Description                            |
|---|----------|---------|-------|------|--------|------|--|
| <b>Module: Polycord motorization system: electric parts</b> |          |         |       |      |        |      |  |
| 46420   | 3061056  |         | -     | e,uw |        |      | External cover for electric components |
| 46425   | 3061039  |         | -     | e,uw |        |      | Electric parts panel                   |
| 46430   | 75408    |         | -     | e,uw |        |      | DIN guide L=200mm                      |
| 46435   | 80422    |         | -     | e,uw |        |      | DIN guide L=110mm                      |
| 46440   | 2000370  |         | -     | e,uw |        |      | Contactora MC9 24V                     |
| 46445   | 3006137  |         | -     | e,uw |        |      | Transformer 66Va                       |
| 46450   | 10300401 |         | -     | e,uw |        |      | Clamp 6/8mm <sup>2</sup> G/V           |
| 46455   | 3006147  |         | -     | e,uw |        |      | Clamp support fuse 5x10                |
| 46460   | 3006164  |         | -     | e,uw |        |      | Fuse holder covering plate             |
| 46465   | 3006071  |         | -     | e,uw |        |      | Clamp covering plate                   |
| 46470   | 3006072  |         | -     | e,uw |        |      | Double clamp RKD 4PA 4mm <sup>2</sup>  |
| 46475   | 3006079  |         | -     | e,uw |        |      | Base for relay                         |
| 46480   | 3006080  |         | -     | e,uw |        |      | Contactora LMS25 1NA+1NC               |
| 46485   | 2000389  |         | -     | e,uw |        |      | Motor protection switch terma 0,63-1A  |
| 46490   | 3061041  |         | -     | e,uw |        |      | 3 Poles switch                         |
| 46495   | 10300412 |         | -     | e,uw |        |      | Plug PG29                              |
| 46500   | 3006078  |         | -     | e,uw |        |      | Relay                                  |
| 46505   | 3002056  |         | -     | e,uw |        |      | Contactora 1NC (31A5)                  |
| 46510   | 3002054  |         | -     | e,uw |        |      | Contactora 1NA                         |
| 46515   | 2000311  |         | -     | e,uw |        |      | 0-1 Selector (90°)                     |
| 46520   | 3061041  |         | -     | e,uw |        |      | 3 Poles switch                         |
| 46525   | 3002066  |         | -     | e,uw |        |      | Green pilot M10 light 24V inox         |
| 46526   | 3002065  |         | -     | e,uw |        |      | Red pilot M10 light 24V inox           |
| 46527   | 3061040  |         | -     | e,uw |        |      | Fixe -cable Ø 20                       |
| 46528   | 15161    |         | -     | e,uw |        |      | Fuse 5x20 1,6A                         |
| 46529   | 15163    |         | -     | e,uw |        |      | Fuse 5x20 1A                           |
| 46530   | 3006153  |         | -     | e,uw |        |      | Mechanical lock safety                 |

e=ELECTRONICAL SWITCHES, uw=LOWER AND UPPER WASHER

87=87

hr=HEAT RECOVERY - TR98, hp=HEAT PUMP - TR99, sc9=STEAM CONDENSER - LC 91, csa=CONVEYOR SPEED ADJUSTING - LC 101, d9=DRYER - LC 90, cw=ADDITIONAL BOILER FOR COLD WATER SUPPLY, dvgw=DVGW VALVE SYSTEM, szc8=SPLASH ZONE WITH CILINDER - LC 84, ti=TANK INSULATION, ds=DOUBLE SKIN, bp=BOOSTER PUMP, sdn3=DISPENSER SYSTEM SDN-3

A=3/N/PE~380-400V 50-60Hz, D=3/PE~200-210V 50-60Hz, F=2/PE~220-240V 50-60Hz, G=3/N/PE~415V 50-60Hz, H=3/PE~220-230V 50-60Hz, K=3/PE~380-400V 50-60Hz, L=3/PE~415V 50-60Hz, M=3/PE~440V 60Hz, P=1/N/PE~220-230V 50-60Hz, R=2/PE~220-240V 50-60Hz, U=1/N/PE~240V 50-60Hz, V=3/PE~240V 50-60Hz, W=1/N/PE~100-110V 50-60Hz



| ID  | P-code  | SN from | SN to | Mod  | Acces | Volt | Description                            |
|---|---------|---------|-------|------|-------|------|--|
| <b>Module:connection to the tray washer: mechanic parts</b> |         |         |       |      |       |      |  |
| 46550   | 3061070 |         | -     | e,uw |       |      | Protection carter for snub pulley      |
| 46555   | 3061053 |         | -     | e,uw |       |      | Hoking core polycord                   |
| 46560   | 3061008 |         | -     | e,uw |       |      | Transport bush polycord                |
| 46565   | 3061052 |         | -     | e,uw |       |      | Unit engine platform polycord          |
| 46570   | 3061057 |         | -     | e,uw |       |      | Inox legs                              |
| 46575   | 3000252 |         | -     | e,uw |       |      | Inox foot 1" 40x40x1                   |
| 46580   | 3061054 |         | -     | e,uw |       |      | Locking panel (engine unit)            |
| 46585   | 3061033 |         | -     | e,uw |       |      | Main shaft support chassis polycord    |
| 46590   | 3061035 |         | -     | e,uw |       |      | Fixing support main polycord           |
| 46595   | 3003048 |         | -     | e,uw |       |      | Spacer for bearings                    |
| 46600   | 3000260 |         | -     | e,uw |       |      | Flange support main shaft polycord     |
| 46605   | 3061028 |         | -     | e,uw |       |      | Pinion Z20 1/2" - 5/16" Ø 14           |
| 46610   | 3061014 |         | -     | e,uw |       |      | Driving pulley polycord                |
| 46615   | 3061012 |         | -     | e,uw |       |      | "Lenght"main shaft polycord            |
| 46620   | 11505   |         | -     | e,uw |       |      | Inox grub screw M6x16                  |
| 46625   | 2001046 |         | -     | e,uw |       |      | Inox key 8x7x30                        |
| 46630   | 3060181 |         | -     | e,uw |       |      | Inox key 5x5x25                        |
| 46631   | 3061071 |         | -     | e,uw |       |      | Support neutral pulley Ø 70            |
| 46632   | 3061005 |         | -     | e,uw |       |      | Neutral pulley Ø 70                    |
| 46633   | 3061013 |         | -     | e,uw |       |      | Belt stretcher spacer                  |
| 46634   | 3061032 |         | -     | e,uw |       |      | Fixing support traywasher and polycord |
| 46635   | 3061034 |         | -     | e,uw |       |      | Polycord cover chain                   |
| 46636   | 3061058 |         | -     | e,uw |       |      | Pulley protection                      |

e=ELECTRONICAL SWITCHES, uw=LOWER AND UPPER WASHER

87=87

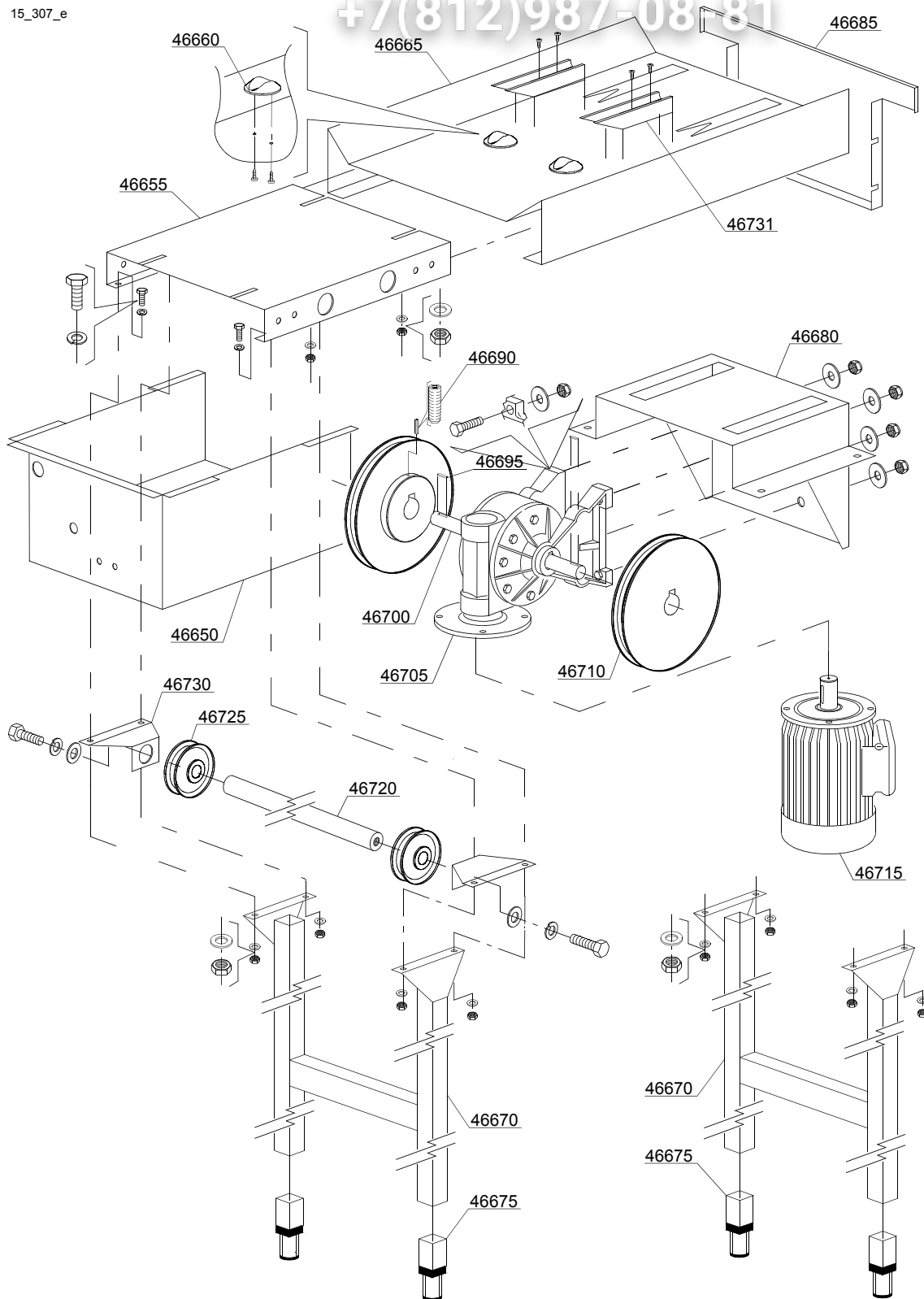
hr=HEAT RECOVERY - TR98, hp=HEAT PUMP - TR99, sc9=STEAM CONDENSER - LC 91, csa=CONVEYOR SPEED ADJUSTING - LC 101, d9=DRYER - LC 90, cw=ADDITIONAL BOILER FOR COLD WATER SUPPLY, dvgw=DVGW VALVE SYSTEM, szc8=SPLASH ZONE WITH CILINDER - LC 84, ti=TANK INSULATION, ds=DOUBLE SKIN, bp=BOOSTER PUMP, sdn3=DISPENSER SYSTEM SDN-3

A=3/N/PE~380-400V 50-60Hz, D=3/PE~200-210V 50-60Hz, F=2/PE~220-240V 50-60Hz, G=3/N/PE~415V 50-60Hz, H=3/PE~220-230V 50-60Hz, K=3/PE~380-400V 50-60Hz, L=3/PE~415V 50-60Hz, M=3/PE~440V 60Hz, P=1/N/PE~220-230V 50-60Hz, R=2/PE~220-240V 50-60Hz, U=1/N/PE~240V 50-60Hz, V=3/PE~240V 50-60Hz, W=1/N/PE~100-110V 50-60Hz

vsezip.ru

+7(812)987-08-81

15\_307\_e



| ID   | P-code  | SN from | SN to | Mod. | Acces. | Volt. | Description                                  |
|--|---------|---------|-------|------|--------|-------|--|
| <b>Module: Motor group: mechanic parts</b> |         |         |       |      |        |       |  |
| 46650                                      | 3061056 |         | -     | e,uw |        |       | External cover for electric components       |
| 46655                                      | 3061052 |         | -     | e,uw |        |       | Hoking core polycord                         |
| 46660                                      | 3061008 |         | -     | e,uw |        |       | Transport bush polycord                      |
| 46665                                      | 3061053 |         | -     | e,uw |        |       | Unit engine platform polycord                |
| 46670                                      | 3061057 |         | -     | e,uw |        |       | Inox legs                                    |
| 46675                                      | 3000252 |         | -     | e,uw |        |       | Inox foot 1" 40x40x1                         |
| 46680                                      | 3061055 |         | -     | e,uw |        |       | Main shaft clamp                             |
| 46685                                      | 3061054 |         | -     | e,uw |        |       | Locking panel (engine unit)                  |
| 46690                                      | 11505   |         | -     | e,uw |        |       | Inox grub screw M6x16                        |
| 46695                                      | 2001046 |         | -     | e,uw |        |       | Inox key 8x7x30                              |
| 46700                                      | 3061010 |         | -     | e,uw |        |       | "Small" main shaft polycord                  |
| 46705                                      | 3000205 |         | -     | e,uw |        |       | Gear reducer motor 1:80                      |
| 46705                                      | 3000200 |         | -     | e,uw |        |       | Gear reducer motor 1:60                      |
| 46710                                      | 3061014 |         | -     | e,uw |        |       | Driving pulley polycord                      |
| 46715                                      | 3020105 |         | -     | e,uw |        |       | Conveyor motor 4/6P "reducer" 400/415 V 50Hz |
| 46715                                      | 3000127 |         | -     | e,uw |        |       | Conveyor motor 4/6P 400/415 V 50Hz           |
| 46720                                      | 3061013 |         | -     | e,uw |        |       | Belt stretcher spacer                        |
| 46725                                      | 3061005 |         | -     | e,uw |        |       | Neutral pulley Ø 70                          |
| 46730                                      | 3061071 |         | -     | e,uw |        |       | Support neutral pulley Ø 70                  |
| 46731                                      | 3061058 |         | -     | e,uw |        |       | Pulley protection                            |

e=ELECTRONICAL SWITCHES, uw=LOWER AND UPPER WASHER

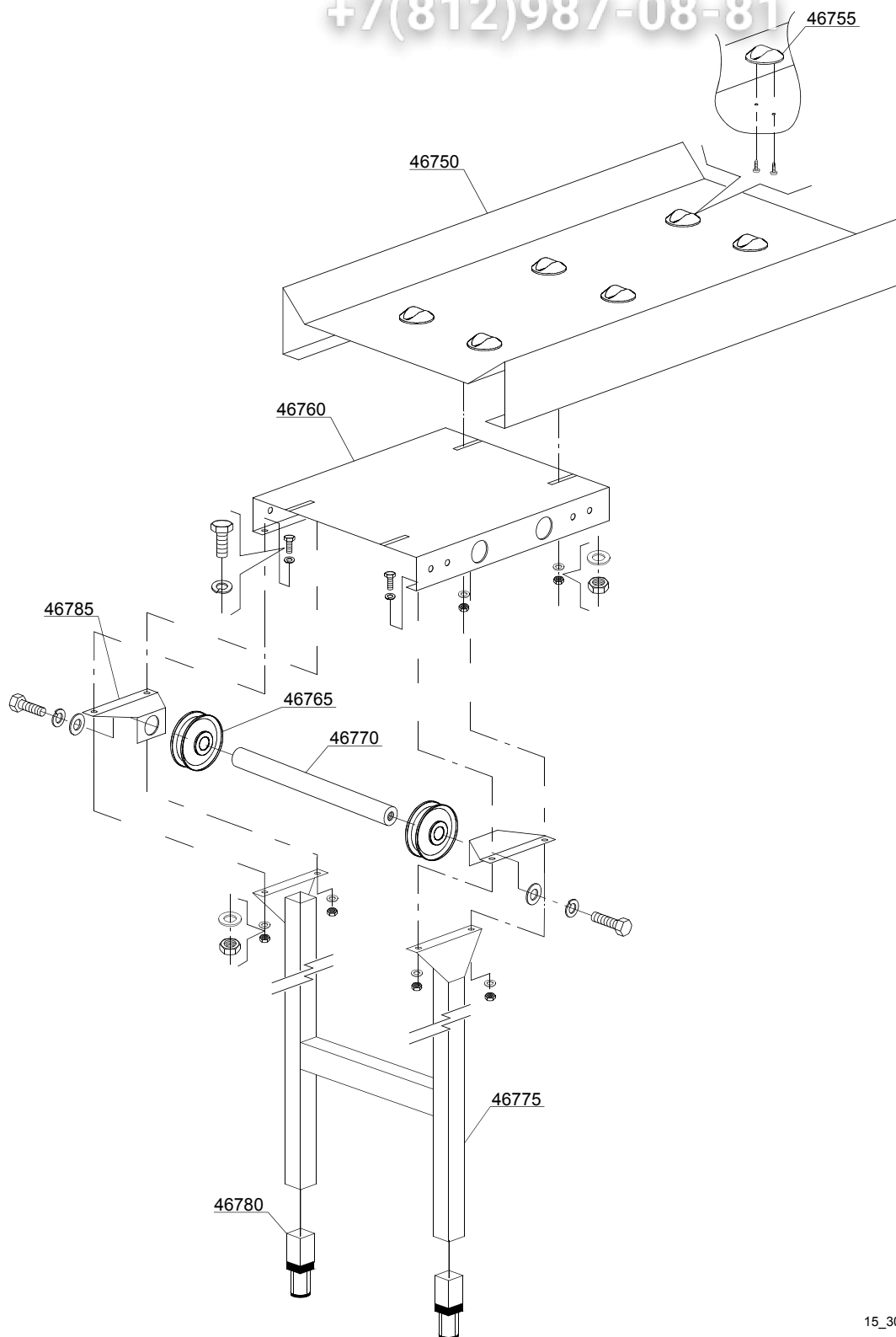
87=87

hr=HEAT RECOVERY - TR98, hp=HEAT PUMP - TR99, sc9=STEAM CONDENSER - LC 91, csa=CONVEYOR SPEED ADJUSTING - LC 101, d9=DRYER - LC 90, cw=ADDITIONAL BOILER FOR COLD WATER SUPPLY, dvgw=DVGW VALVE SYSTEM, szc8=SPLASH ZONE WITH CILINDER - LC 84, ti=TANK INSULATION, ds=DOUBLE SKIN, bp=BOOSTER PUMP, sdn3=DISPENSER SYSTEM SDN-3

A=3/N/PE~380-400V 50-60Hz, D=3/PE~200-210V 50-60Hz, F=2/PE~220-240V 50-60Hz, G=3/N/PE~415V 50-60Hz, H=3/PE~220-230V 50-60Hz, K=3/PE~380-400V 50-60Hz, L=3/PE~415V 50-60Hz, M=3/PE~440V 60Hz, P=1/N/PE~220-230V 50-60Hz, R=2/PE~220-240V 50-60Hz, U=1/N/PE~240V 50-60Hz, V=3/PE~240V 50-60Hz, W=1/N/PE~100-110V 50-60Hz

vsezip.ru

+7(812)987-08-81



15\_308\_e



vsezip.ru

| ID   | P-code  | SN from | SN to | Mod  | Acces. | Volt | Description                 |
|--|---------|---------|-------|------|--------|------|-----------------------------|
| <b>Module: Straight unit: mechanic parts</b> |         |         |       |      |        |      |                             |
| 46750  | 3061073 |         | -     | e,uw |        |      | Linear base 1000mm          |
| 46750  | 3061074 |         | -     | e,uw |        |      | Linear base 2000mm          |
| 46750  | 3061075 |         | -     | e,uw |        |      | Linear base 3000mm          |
| 46750  | 3061072 |         | -     | e,uw |        |      | Linear base 500mm           |
| 46755  | 3061008 |         | -     | e,uw |        |      | Transport bush polycord     |
| 46760  | 3061052 |         | -     | e,uw |        |      | Hoking core polycord        |
| 46765  | 3061005 |         | -     | e,uw |        |      | Neutral pulley Ø 70         |
| 46770  | 3061013 |         | -     | e,uw |        |      | Belt stretcher spacer       |
| 46775  | 3061057 |         | -     | e,uw |        |      | Inox legs                   |
| 46780  | 3000252 |         | -     | e,uw |        |      | Inox foot 1" 40x40x1        |
| 46785  | 3061071 |         | -     | e,uw |        |      | Support neutral pulley Ø 70 |

e=ELECTRONICAL SWITCHES, uw=LOWER AND UPPER WASHER

87=87

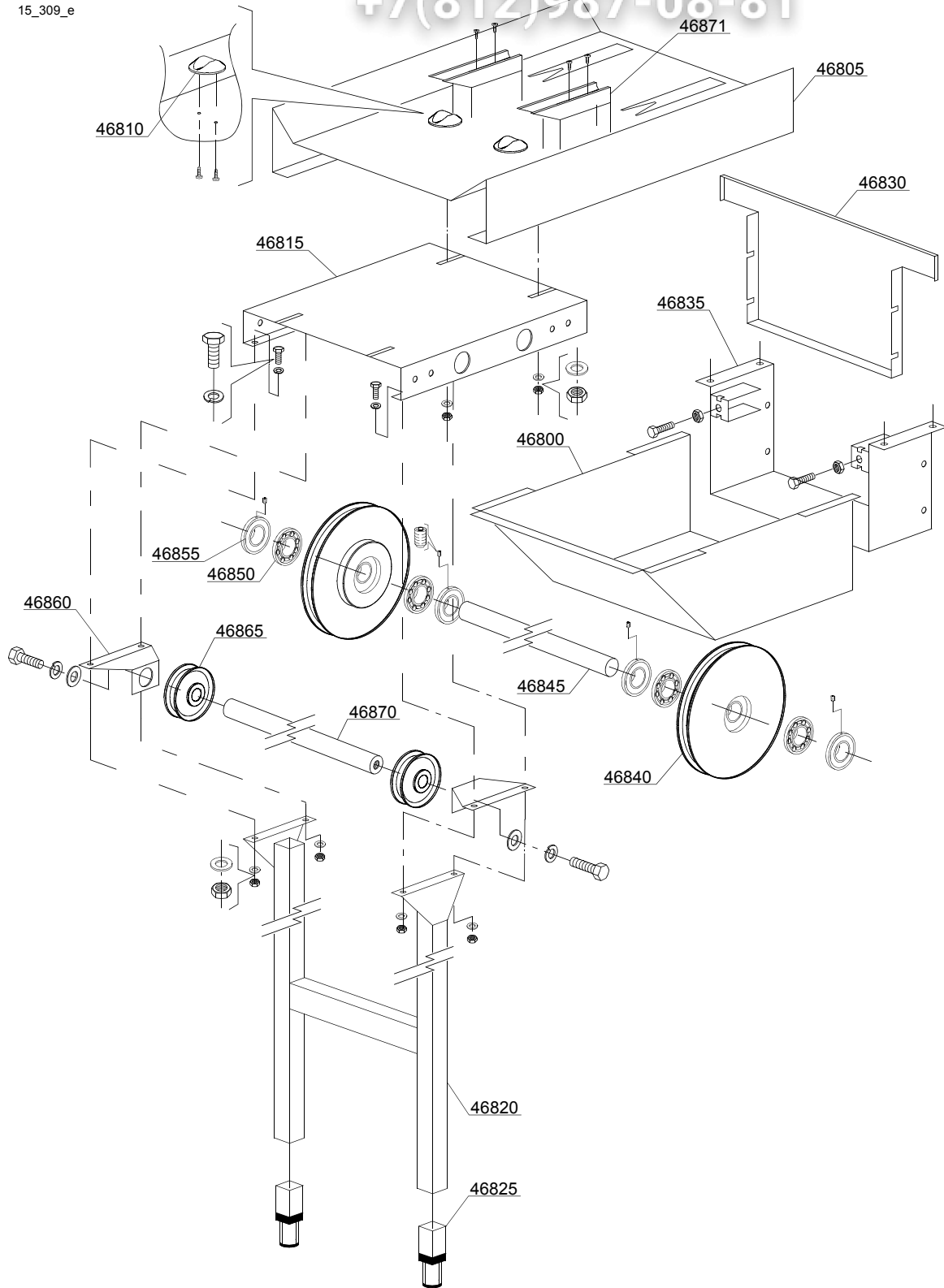
hr=HEAT RECOVERY - TR98, hp=HEAT PUMP - TR99, sc9=STEAM CONDENSER - LC 91, csa=CONVEYOR SPEED ADJUSTING - LC 101, d9=DRYER - LC 90, cw=ADDITIONAL BOILER FOR COLD WATER SUPPLY, dvgw=DVGW VALVE SYSTEM, szc8=SPLASH ZONE WITH CILINDER - LC 84, ti=TANK INSULATION, ds=DOUBLE SKIN, bp=BOOSTER PUMP, sdn3=DISPENSER SYSTEM SDN-3

A=3/N/PE~380-400V 50-60Hz, D=3/PE~200-210V 50-60Hz, F=2/PE~220-240V 50-60Hz, G=3/N/PE~415V 50-60Hz, H=3/PE~220-230V 50-60Hz, K=3/PE~380-400V 50-60Hz, L=3/PE~415V 50-60Hz, M=3/PE~440V 60Hz, P=1/N/PE~220-230V 50-60Hz, R=2/PE~220-240V 50-60Hz, U=1/N/PE~240V 50-60Hz, V=3/PE~240V 50-60Hz, W=1/N/PE~100-110V 50-60Hz

vsezip.ru

+7(812)987-08-81

15\_309\_e



| ID   | P-code  | SN from | SN to | Mod  | Acces | Volt | Description                       |
|--|---------|---------|-------|------|-------|------|-----------------------------------|
| <b>Module:Put off unit: mechanic parts</b> |         |         |       |      |       |      |                                   |
| 46800                                      | 3061070 |         | -     | e,uw |       |      | Protection carter for snub pulley |
| 46805                                      | 3061076 |         | -     | e,uw |       |      | Hoking core polycord              |
| 46810                                      | 3061008 |         | -     | e,uw |       |      | Transport bush polycord           |
| 46815                                      | 3061052 |         | -     | e,uw |       |      | Unit engine platform polycord     |
| 46820                                      | 3061057 |         | -     | e,uw |       |      | Inox legs                         |
| 46825                                      | 3000252 |         | -     | e,uw |       |      | Inox foot 1" 40x40x1              |
| 46830                                      | 3061077 |         | -     | e,uw |       |      | Locking panel                     |
| 46835                                      | 3061078 |         | -     | e,uw |       |      | Shaft support for snub pulley     |
| 46840                                      | 3061015 |         | -     | e,uw |       |      | Return pulley polycord            |
| 46845                                      | 3061011 |         | -     | e,uw |       |      | Neutral main shaft polycord       |
| 46850                                      | 2000053 |         | -     | e,uw |       |      | Inox bearing 6005 47x25x12        |
| 46855                                      | 3061016 |         | -     | e,uw |       |      | Clamping ring Ø45x25x10           |
| 46860                                      | 3061071 |         | -     | e,uw |       |      | Support neutral pulley Ø 70       |
| 46865                                      | 3061005 |         | -     | e,uw |       |      | Neutral pulley Ø 70               |
| 46870                                      | 3061013 |         | -     | e,uw |       |      | Belt stretcher spacer             |
| 46871                                      | 3061058 |         | -     | e,uw |       |      | Pulley protection                 |

e=ELECTRONICAL SWITCHES, uw=LOWER AND UPPER WASHER

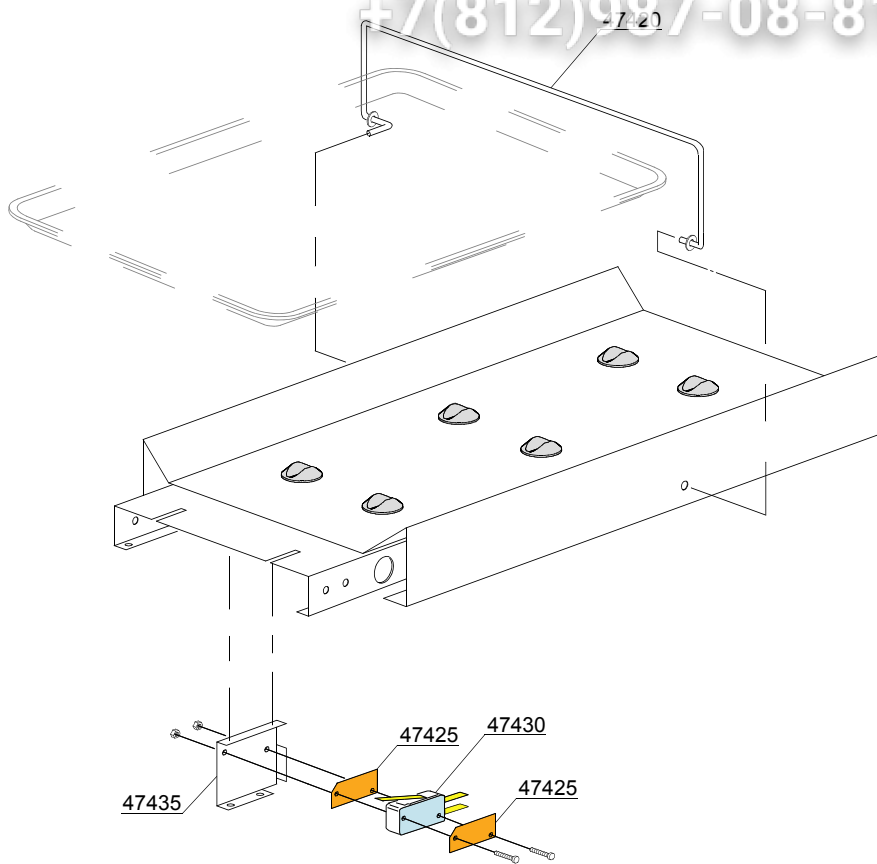
87=87

hr=HEAT RECOVERY - TR98, hp=HEAT PUMP - TR99, sc9=STEAM CONDENSER - LC 91, csa=CONVEYOR SPEED ADJUSTING - LC 101, d9=DRYER - LC 90, cw=ADDITIONAL BOILER FOR COLD WATER SUPPLY, dvgw=DVGW VALVE SYSTEM, szc8=SPLASH ZONE WITH CILINDER - LC 84, ti=TANK INSULATION, ds=DOUBLE SKIN, bp=BOOSTER PUMP, sdn3=DISPENSER SYSTEM SDN-3

A=3/N/PE~380-400V 50-60Hz, D=3/PE~200-210V 50-60Hz, F=2/PE~220-240V 50-60Hz, G=3/N/PE~415V 50-60Hz, H=3/PE~220-230V 50-60Hz, K=3/PE~380-400V 50-60Hz, L=3/PE~415V 50-60Hz, M=3/PE~440V 60Hz, P=1/N/PE~220-230V 50-60Hz, R=2/PE~220-240V 50-60Hz, U=1/N/PE~240V 50-60Hz, V=3/PE~240V 50-60Hz, W=1/N/PE~100-110V 50-60Hz

vsezip.ru

+7(812)987-08-81



15\_310\_e

| ID                                | P-code    | SN from | SN to | Mod  | Acces. | Volt | Description                 |
|-----------------------------------|-----------|---------|-------|------|--------|------|-----------------------------|
| <b>Module:Empty trays sensors</b> |           |         |       |      |        |      |                             |
| 47420                             | 3061047   |         | -     | e,uw |        |      | Empty trays sensors         |
| 47425                             | 10770     |         | -     | e,uw |        |      | Insulation for micro-switch |
| 47430                             | 10704     |         | -     | e,uw |        |      | Micro-switch                |
| 47435                             | 3061048   |         | -     | e,uw |        |      | Support micro-switch        |
| 47440                             | 999920212 |         | -     | e,uw |        |      | Kit sensor empty tray       |

e=ELECTRONICAL SWITCHES, uw=LOWER AND UPPER WASHER

87=87

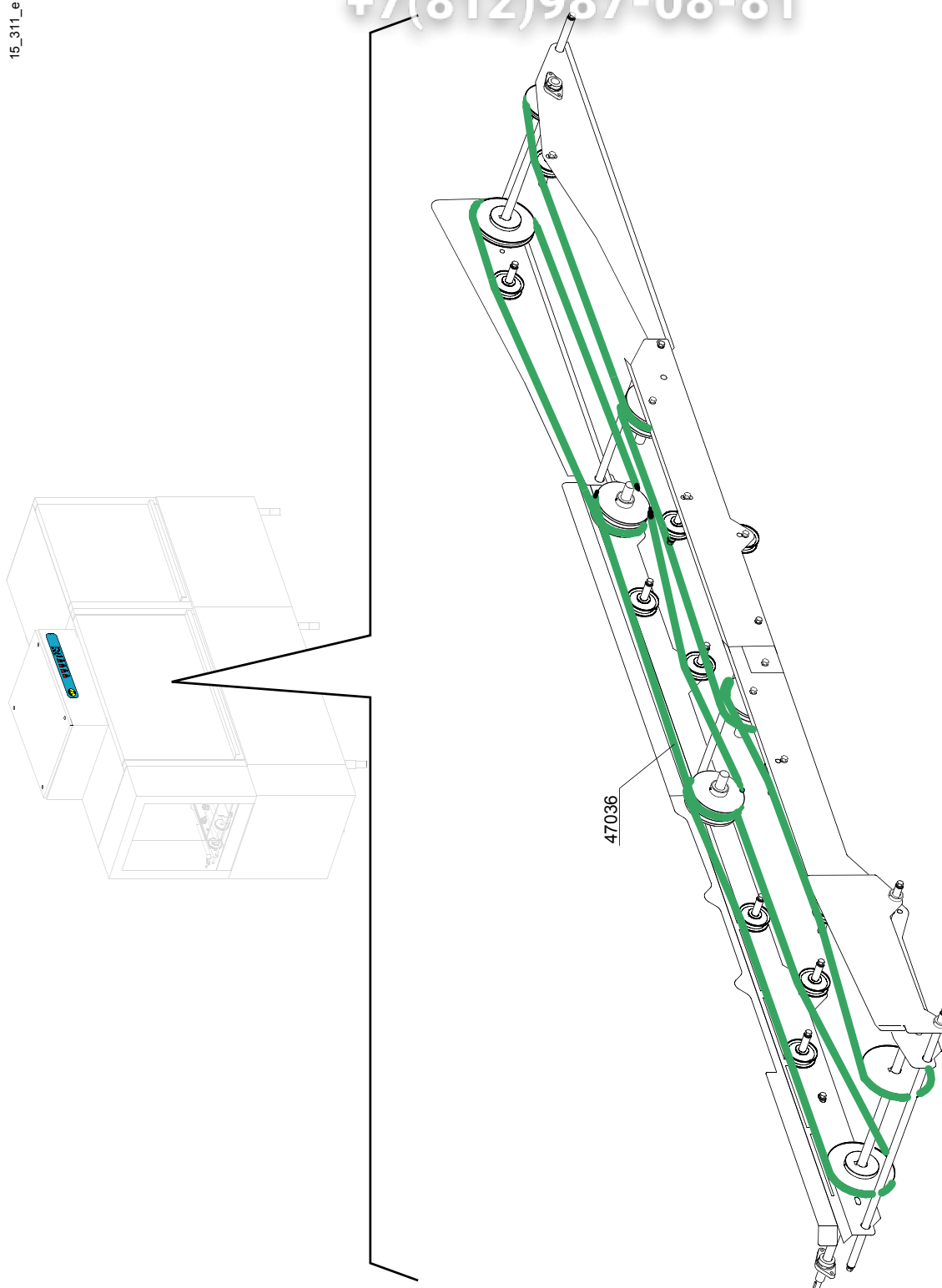
hr=HEAT RECOVERY - TR98, hp=HEAT PUMP - TR99, sc9=STEAM CONDENSER - LC 91, csa=CONVEYOR SPEED ADJUSTING - LC 101, d9=DRYER - LC 90, cw=ADDITIONAL BOILER FOR COLD WATER SUPPLY, dvgw=DVGW VALVE SYSTEM, szc8=SPLASH ZONE WITH CILINDER - LC 84, ti=TANK INSULATION, ds=DOUBLE SKIN, bp=BOOSTER PUMP, sdn3=DISPENSER SYSTEM SDN-3

A=3/N/PE~380-400V 50-60Hz, D=3/PE~200-210V 50-60Hz, F=2/PE~220-240V 50-60Hz, G=3/N/PE~415V 50-60Hz, H=3/PE~220-230V 50-60Hz, K=3/PE~380-400V 50-60Hz, L=3/PE~415V 50-60Hz, M=3/PE~440V 60Hz, P=1/N/PE~220-230V 50-60Hz, R=2/PE~220-240V 50-60Hz, U=1/N/PE~240V 50-60Hz, V=3/PE~240V 50-60Hz, W=1/N/PE~100-110V 50-60Hz

vsezip.ru

+7(812)987-08-81

15\_311\_e



vsezip.ru

| ID                                   | P-code  | SN from | SN to | Mod  | Acces. | Volt | Description          |
|--------------------------------------|---------|---------|-------|------|--------|------|----------------------|
| <b>Module:Trays system transport</b> |         |         |       |      |        |      |                      |
| 47036                                | 3061002 |         | -     | e,uw |        |      | Reinforced cord Ø 12 |

e=ELECTRONICAL SWITCHES, uw=LOWER AND UPPER WASHER

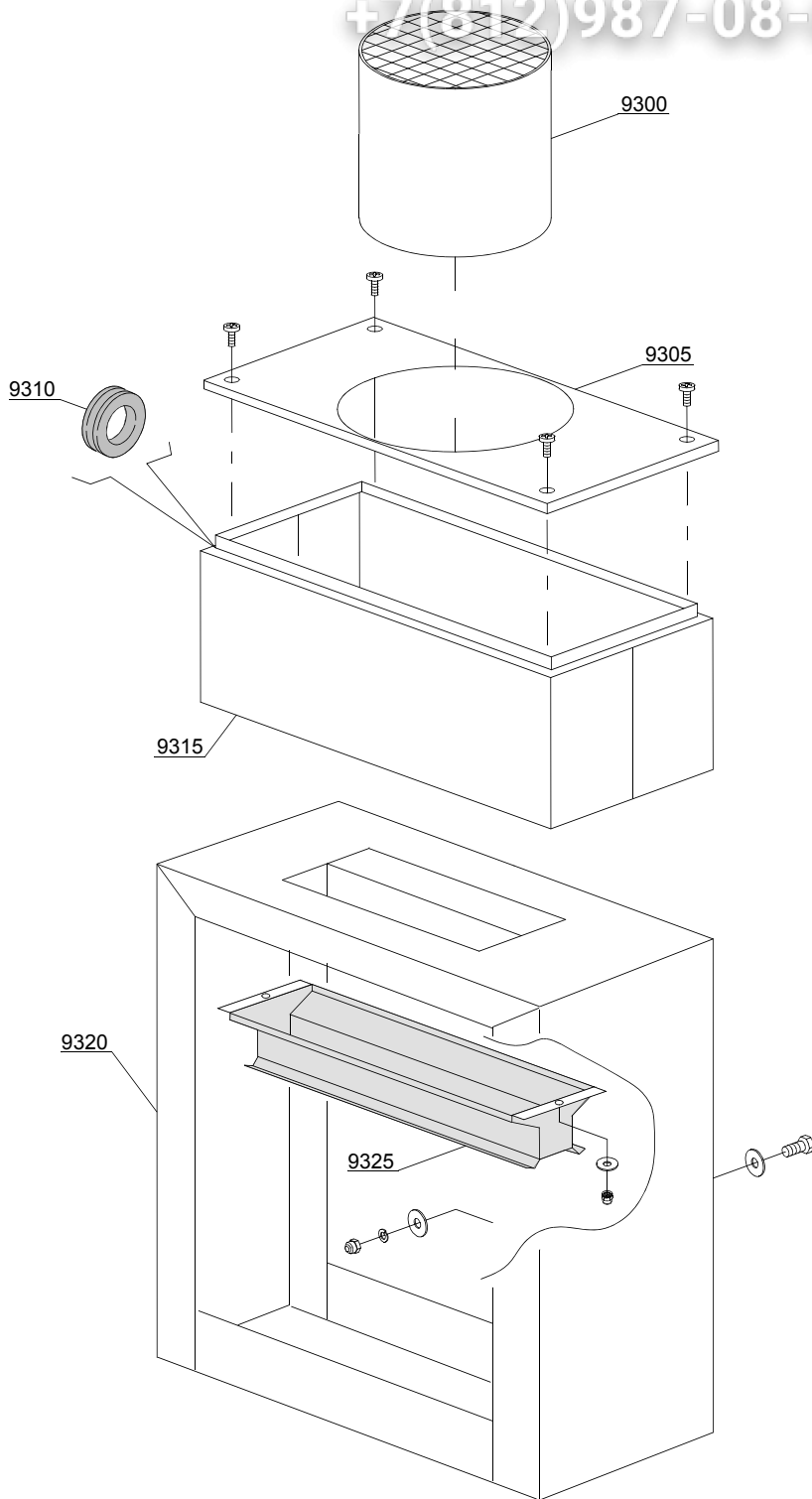
87=87

hr=HEAT RECOVERY - TR98, hp=HEAT PUMP - TR99, sc9=STEAM CONDENSER - LC 91, csa=CONVEYOR SPEED ADJUSTING - LC 101, d9=DRYER - LC 90, cw=ADDITIONAL BOILER FOR COLD WATER SUPPLY, dvgw=DVGW VALVE SYSTEM, szc8=SPLASH ZONE WITH CILINDER - LC 84, ti=TANK INSULATION, ds=DOUBLE SKIN, bp=BOOSTER PUMP, sdn3=DISPENSER SYSTEM SDN-3

A=3/N/PE~380-400V 50-60Hz, D=3/PE~200-210V 50-60Hz, F=2/PE~220-240V 50-60Hz, G=3/N/PE~415V 50-60Hz, H=3/PE~220-230V 50-60Hz, K=3/PE~380-400V 50-60Hz, L=3/PE~415V 50-60Hz, M=3/PE~440V 60Hz, P=1/N/PE~220-230V 50-60Hz, R=2/PE~220-240V 50-60Hz, U=1/N/PE~240V 50-60Hz, V=3/PE~240V 50-60Hz, W=1/N/PE~100-110V 50-60Hz

vsezip.ru

+7(812)987-08-81



17\_001ae



vsezip.ru

| ID                                      | P-code  | SN from | SN to | Mod  | Acces | Volt | Description     |
|---|---------|---------|-------|------|-------|------|-----------------|
| <b>Module: Steam condenser - part 1</b> |         |         |       |      |       |      |                 |
| 9300                                    | 3009573 |         | -     | e,uw |       |      | Chimney         |
| 9305                                    | 3009472 |         | -     | e,uw |       |      | Cover with hole |
| 9310                                    | 13329   |         | -     | e,uw |       |      | Fairlead        |
| 9315                                    | 3009577 |         | -     | e,uw |       |      | Complete body   |
| 9320                                    | 3009694 |         | -     | e,uw |       |      | Jet top L300mm  |
| 9325                                    | 3009543 |         | -     | e,uw |       |      | Suction group   |

e=ELECTRONICAL SWITCHES, uw=LOWER AND UPPER WASHER

87=87

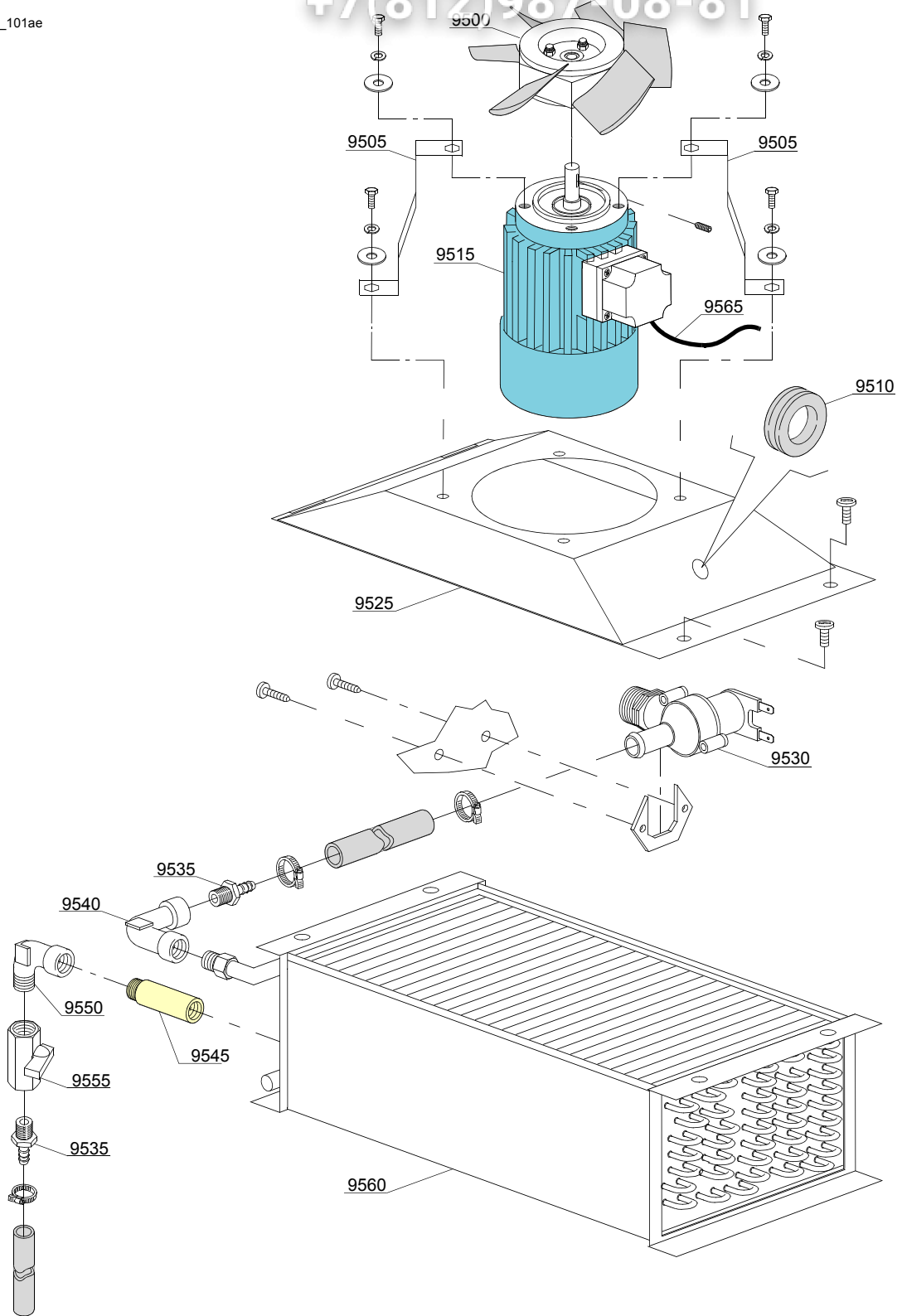
hr=HEAT RECOVERY - TR98, hp=HEAT PUMP - TR99, sc9=STEAM CONDENSER - LC 91, csa=CONVEYOR SPEED ADJUSTING - LC 101, d9=DRYER - LC 90, cw=ADDITIONAL BOILER FOR COLD WATER SUPPLY, dvgw=DVGW VALVE SYSTEM, szc8=SPLASH ZONE WITH CILINDER - LC 84, ti=TANK INSULATION, ds=DOUBLE SKIN, bp=BOOSTER PUMP, sdn3=DISPENSER SYSTEM SDN-3

A=3/N/PE~380-400V 50-60Hz, D=3/PE~200-210V 50-60Hz, F=2/PE~220-240V 50-60Hz, G=3/N/PE~415V 50-60Hz, H=3/PE~220-230V 50-60Hz, K=3/PE~380-400V 50-60Hz, L=3/PE~415V 50-60Hz, M=3/PE~440V 60Hz, P=1/N/PE~220-230V 50-60Hz, R=2/PE~220-240V 50-60Hz, U=1/N/PE~240V 50-60Hz, V=3/PE~240V 50-60Hz, W=1/N/PE~100-110V 50-60Hz

vsezip.ru

+7(812)987-08-81

17\_101ae



vsezip.ru

| ID                                      | P-code  | SN from | SN to | Mod  | Acces | Volt | Description                     |
|---|---------|---------|-------|------|-------|------|---------------------------------|
| <b>Module: Steam condenser - part 2</b> |         |         |       |      |       |      |                                 |
| 9500                                    | 3000124 |         | -     | e,uw |       |      | Impeller fan                    |
| 9505                                    | 3009551 |         | -     | e,uw |       |      | Motor holder                    |
| 9510                                    | 13329   |         | -     | e,uw |       |      | Fairlead                        |
| 9515                                    | 3000123 |         | -     | e,uw |       | A    | Motor - 0,12KW 2P 230/400V 50HZ |
| 9525                                    | 3009583 |         | -     | e,uw |       |      | Steam condenser base            |
| 9530                                    | 2000093 |         | -     | e,uw |       |      | Single solenoid valve           |
| 9535                                    | 12023   |         | -     | e,uw |       |      | Hose holder                     |
| 9540                                    | 3002139 |         | -     | e,uw |       |      | Elbow                           |
| 9545                                    | 3002176 |         | -     | e,uw |       |      | Extension                       |
| 9550                                    | 12035   |         | -     | e,uw |       |      | Elbow                           |
| 9555                                    | 3002140 |         | -     | e,uw |       |      | Tap                             |
| 9560                                    | 3000155 |         | -     | e,uw |       |      | Heating recovery battery        |
| 9565                                    | 15184   |         | -     | e,uw |       |      | Cable                           |

e=ELECTRONICAL SWITCHES, uw=LOWER AND UPPER WASHER

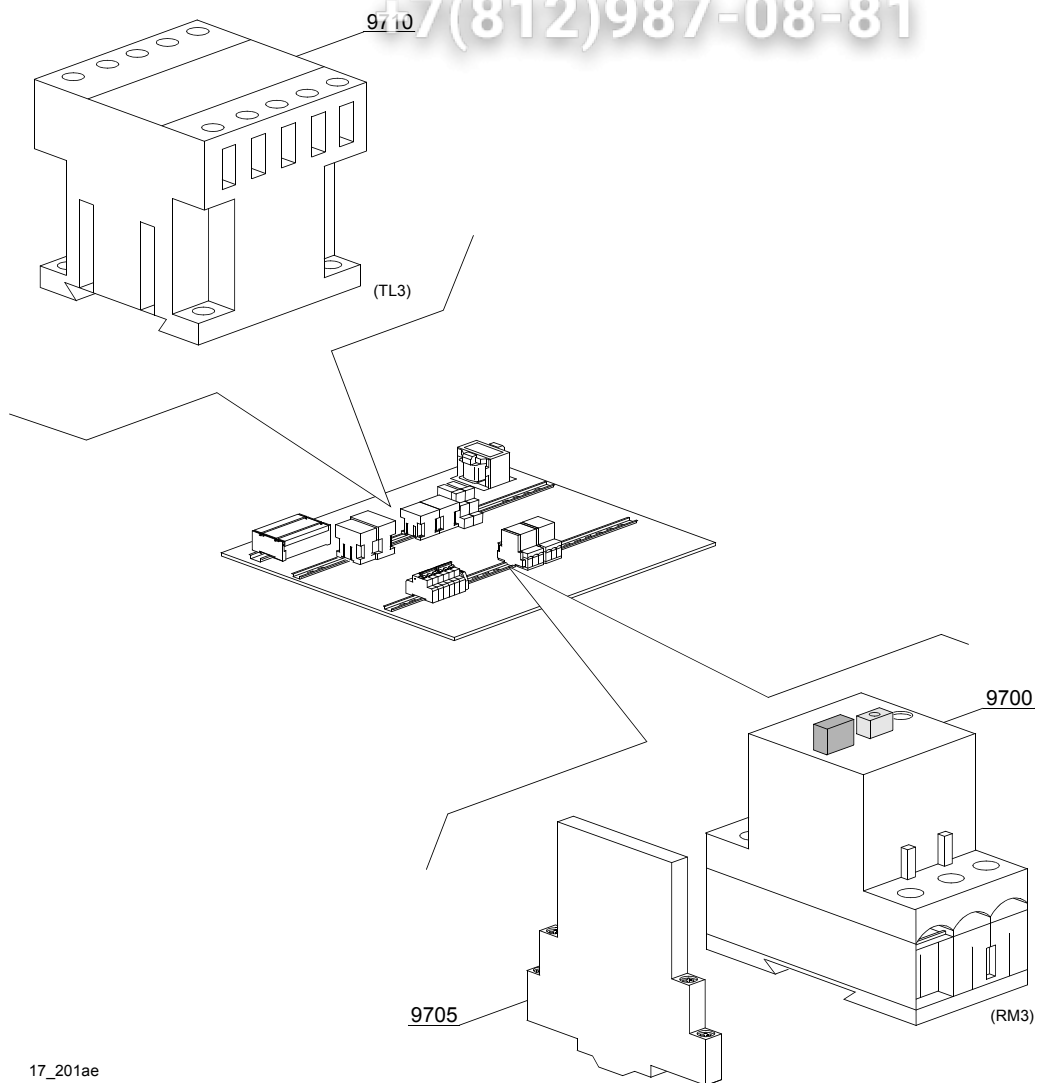
87=87

hr=HEAT RECOVERY - TR98, hp=HEAT PUMP - TR99, sc9=STEAM CONDENSER - LC 91, csa=CONVEYOR SPEED ADJUSTING - LC 101, d9=DRYER - LC 90, cw=ADDITIONAL BOILER FOR COLD WATER SUPPLY, dvgw=DVGW VALVE SYSTEM, szc8=SPLASH ZONE WITH CILINDER - LC 84, ti=TANK INSULATION, ds=DOUBLE SKIN, bp=BOOSTER PUMP, sdn3=DISPENSER SYSTEM SDN-3

A=3/N/PE~380-400V 50-60Hz, D=3/PE~200-210V 50-60Hz, F=2/PE~220-240V 50-60Hz, G=3/N/PE~415V 50-60Hz, H=3/PE~220-230V 50-60Hz, K=3/PE~380-400V 50-60Hz, L=3/PE~415V 50-60Hz, M=3/PE~440V 60Hz, P=1/N/PE~220-230V 50-60Hz, R=2/PE~220-240V 50-60Hz, U=1/N/PE~240V 50-60Hz, V=3/PE~240V 50-60Hz, W=1/N/PE~100-110V 50-60Hz

vsezip.ru

+7(812)987-08-81



17\_201ae

vsezip.ru

| ID                                      | P-code  | SN from | SN to | Mod  | Acces. | Volt | Description             |
|---|---------|---------|-------|------|--------|------|-------------------------|
| <b>Module: Steam condenser - part 3</b> |         |         |       |      |        |      |                         |
| 9700                                    | 2000390 |         | -     | e,uw |        | A    | Motorprotector 1 - 1.6A |
| 9705                                    | 3006080 |         | -     | e,uw |        | A    | Auxiliary contact LMS25 |
| 9710                                    | 2000370 |         | -     | e,uw |        | A    | Contactora MC9          |

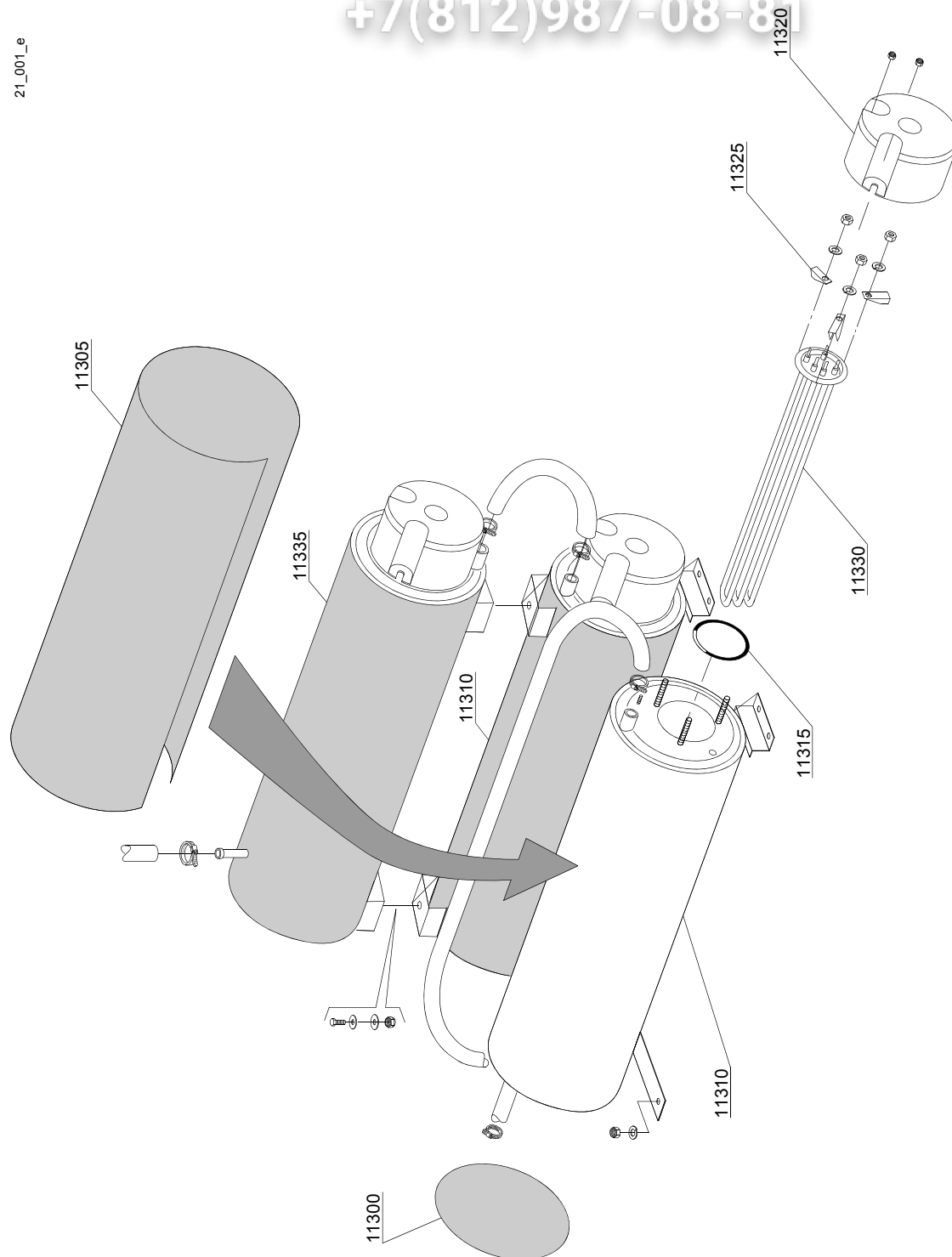
e=ELECTRONICAL SWITCHES, uw=LOWER AND UPPER WASHER

87=87

hr=HEAT RECOVERY - TR98, hp=HEAT PUMP - TR99, sc9=STEAM CONDENSER - LC 91, csa=CONVEYOR SPEED ADJUSTING - LC 101, d9=DRYER - LC 90, cw=ADDITIONAL BOILER FOR COLD WATER SUPPLY, dvgw=DVGW VALVE SYSTEM, szc8=SPLASH ZONE WITH CILINDER - LC 84, ti=TANK INSULATION, ds=DOUBLE SKIN, bp=BOOSTER PUMP, sdn3=DISPENSER SYSTEM SDN-3

A=3/N/PE~380-400V 50-60Hz, D=3/PE~200-210V 50-60Hz, F=2/PE~220-240V 50-60Hz, G=3/N/PE~415V 50-60Hz, H=3/PE~220-230V 50-60Hz, K=3/PE~380-400V 50-60Hz, L=3/PE~415V 50-60Hz, M=3/PE~440V 60Hz, P=1/N/PE~220-230V 50-60Hz, R=2/PE~220-240V 50-60Hz, U=1/N/PE~240V 50-60Hz, V=3/PE~240V 50-60Hz, W=1/N/PE~100-110V 50-60Hz

21\_001\_e



| ID  | P-code     | SN from | SN to | Mod  | Acces | Volt | Description                  |
|---|------------|---------|-------|------|-------|------|------------------------------|
| <b>Module: Additional boiler components</b> |            |         |       |      |       |      |                              |
| 11300                                       | 75205      |         | -     | e,uw |       |      | Bottom boiler insulating     |
| 11305                                       | 30002030   |         | -     | e,uw |       |      | Boiler insulating            |
| 11310                                       | 3007012    |         | -     | e,uw |       |      | Inferiour Boiler             |
| 11315                                       | 13015      |         | -     | e,uw |       |      | O-ring 160 (6225)            |
| 11320                                       | 75311      |         | -     | e,uw |       |      | Heating element cover        |
| 11325                                       | 16045      |         | -     | e,uw |       |      | Heating element support Ø6,3 |
| 11330                                       | 30001010   |         | -     | e,uw |       | A    | Heating element 6kW          |
| 11330                                       | 30001011   |         | -     | e,uw |       | A    | Heating element 9kW          |
| 11330                                       | 30001011/A |         | -     | e,uw |       | A    | Heating element 12kW         |
| 11330                                       | 30001011/B |         | -     | e,uw |       | A    | Heating element 14kW         |
| 11335                                       | 3007013    |         | -     | e,uw |       |      | Upper Boiler                 |

e=ELECTRONICAL SWITCHES, uw=LOWER AND UPPER WASHER

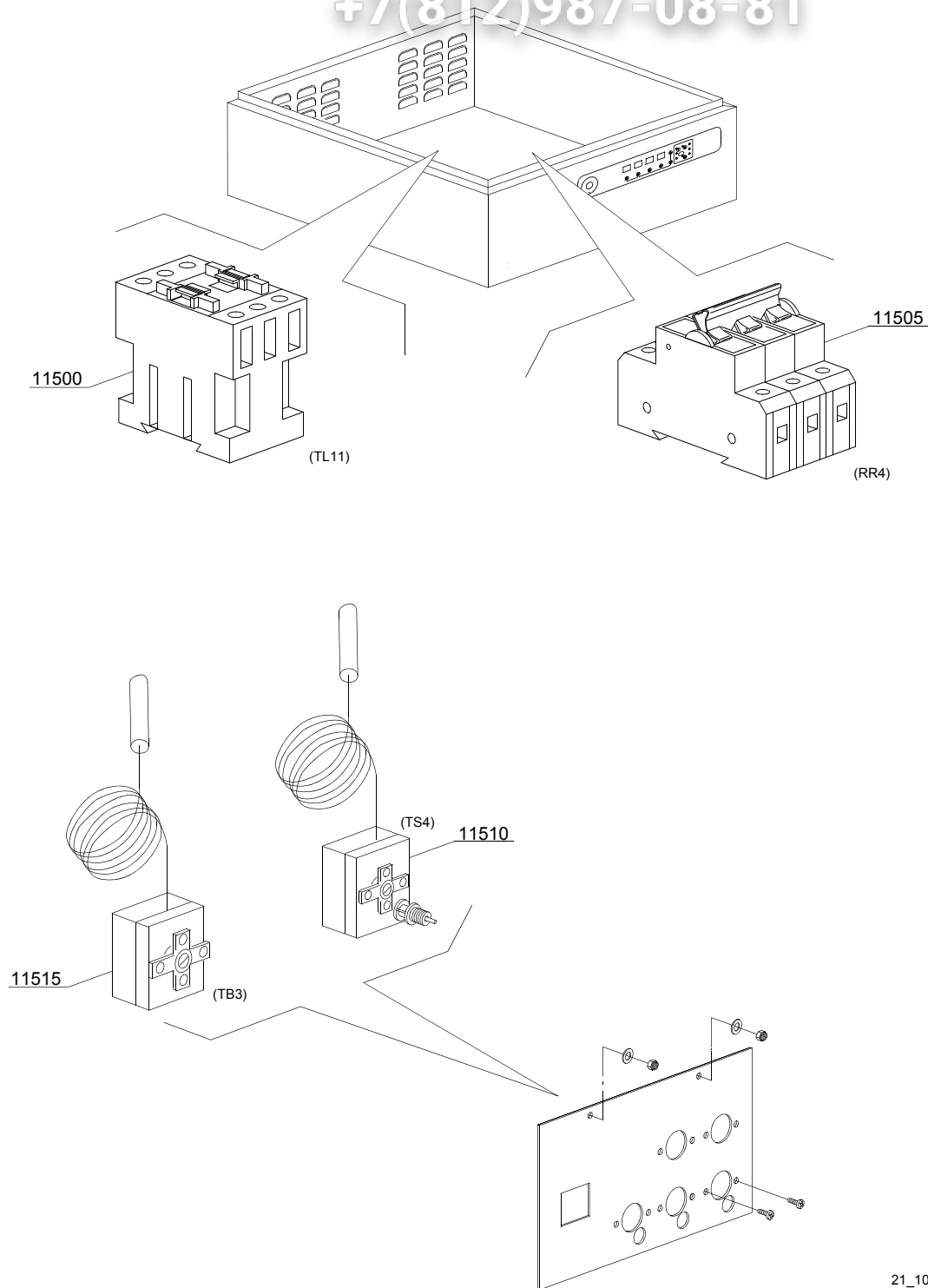
87=87

hr=HEAT RECOVERY - TR98, hp=HEAT PUMP - TR99, sc9=STEAM CONDENSER - LC 91, csa=CONVEYOR SPEED ADJUSTING - LC 101, d9=DRYER - LC 90, cw=ADDITIONAL BOILER FOR COLD WATER SUPPLY, dvgw=DVGW VALVE SYSTEM, szc8=SPLASH ZONE WITH CILINDER - LC 84, ti=TANK INSULATION, ds=DOUBLE SKIN, bp=BOOSTER PUMP, sdn3=DISPENSER SYSTEM SDN-3

A=3/N/PE~380-400V 50-60Hz, D=3/PE~200-210V 50-60Hz, F=2/PE~220-240V 50-60Hz, G=3/N/PE~415V 50-60Hz, H=3/PE~220-230V 50-60Hz, K=3/PE~380-400V 50-60Hz, L=3/PE~415V 50-60Hz, M=3/PE~440V 60Hz, P=1/N/PE~220-230V 50-60Hz, R=2/PE~220-240V 50-60Hz, U=1/N/PE~240V 50-60Hz, V=3/PE~240V 50-60Hz, W=1/N/PE~100-110V 50-60Hz

vsezip.ru

+7(812)987-08-81



21\_101\_€



vsezip.ru

| ID  | P-code  | SN from | SN to | Mod  | Acces. | Volt | Description                                 |
|---|---------|---------|-------|------|--------|------|---|
| <b>Module: Additional boiler: electrical components</b> |         |         |       |      |        |      |   |
| 11500   | 2000380 |         | -     | e,uw |        | A    | Contactora BF12 (heating element < 9 kW)    |
| 11500   | 2000385 |         | -     | e,uw |        | A    | Contactora BF20 (heating element > 9 kW)    |
| 11505   | 2000403 |         | -     | e,uw |        | A    | Automatic fuse C20 (heating element < 9 kW) |
| 11505   | 2000404 |         | -     | e,uw |        | A    | Automatic fuse C25 (heating element > 9 kW) |
| 11510   | 2000430 |         | -     | e,uw |        |      | Safety thermostat                           |
| 11515   | 10707/1 |         | -     | e,uw |        |      | Thermostat 0 - 90° (TB2)                    |

e=ELECTRONICAL SWITCHES, uw=LOWER AND UPPER WASHER

87=87

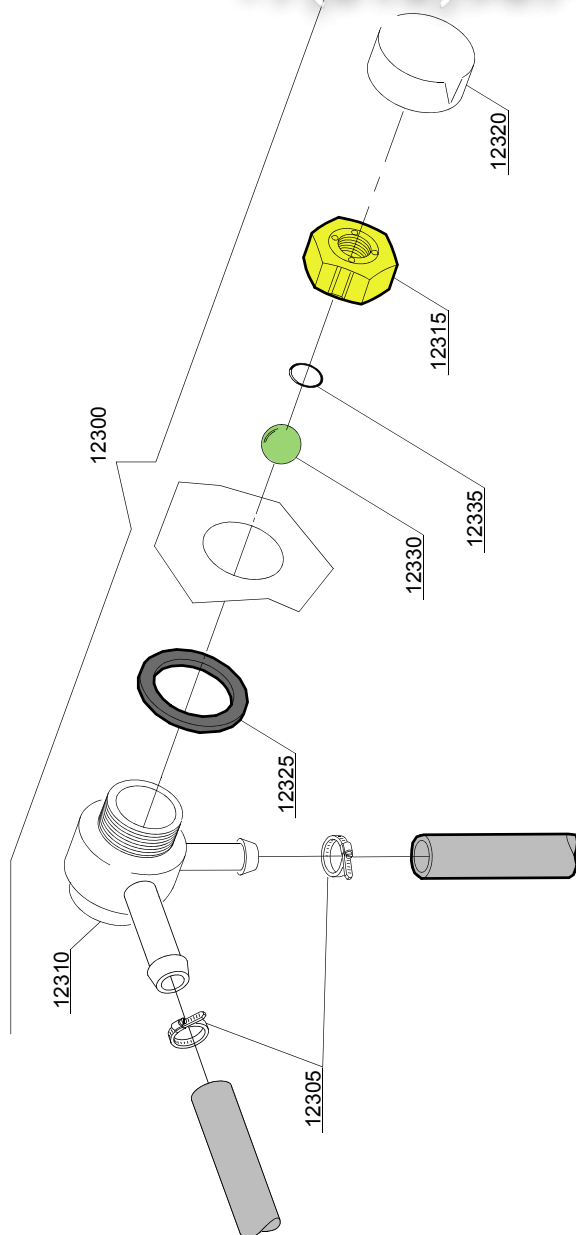
hr=HEAT RECOVERY - TR98, hp=HEAT PUMP - TR99, sc9=STEAM CONDENSER - LC 91, csa=CONVEYOR SPEED ADJUSTING - LC 101, d9=DRYER - LC 90, cw=ADDITIONAL BOILER FOR COLD WATER SUPPLY, dvgw=DVGW VALVE SYSTEM, szc8=SPLASH ZONE WITH CILINDER - LC 84, ti=TANK INSULATION, ds=DOUBLE SKIN, bp=BOOSTER PUMP, sdn3=DISPENSER SYSTEM SDN-3

A=3/N/PE~380-400V 50-60Hz, D=3/PE~200-210V 50-60Hz, F=2/PE~220-240V 50-60Hz, G=3/N/PE~415V 50-60Hz, H=3/PE~220-230V 50-60Hz, K=3/PE~380-400V 50-60Hz, L=3/PE~415V 50-60Hz, M=3/PE~440V 60Hz, P=1/N/PE~220-230V 50-60Hz, R=2/PE~220-240V 50-60Hz, U=1/N/PE~240V 50-60Hz, V=3/PE~240V 50-60Hz, W=1/N/PE~100-110V 50-60Hz

vsezip.ru

+7(812)987-08-81

22\_002ae



vsezip.ru

| ID                        | P-code  | SN from | SN to | Mod. | Acces. | Volt | Description           |
|---------------------------|---------|---------|-------|------|--------|------|-----------------------|
| <b>Module: DVGW valve</b> |         |         |       |      |        |      |                       |
| 12300                     | 9891710 |         | -     | e,uw |        |      | DVGW valvola assembly |
| 12305                     | 11807   |         | -     | e,uw |        |      | Clamp aisi430 12/22   |
| 12310                     | 15280   |         | -     | e,uw |        |      | Valve body center     |
| 12315                     | 15281   |         | -     | e,uw |        |      | Flat valve            |
| 12320                     | 15282   |         | -     | e,uw |        |      | Flat valve cover      |
| 12325                     | 15283   |         | -     | e,uw |        |      | Valve gasket          |
| 12330                     | 15284   |         | -     | e,uw |        |      | Sphere                |
| 12335                     | 15285   |         | -     | e,uw |        |      | O-ring 115 KTW        |

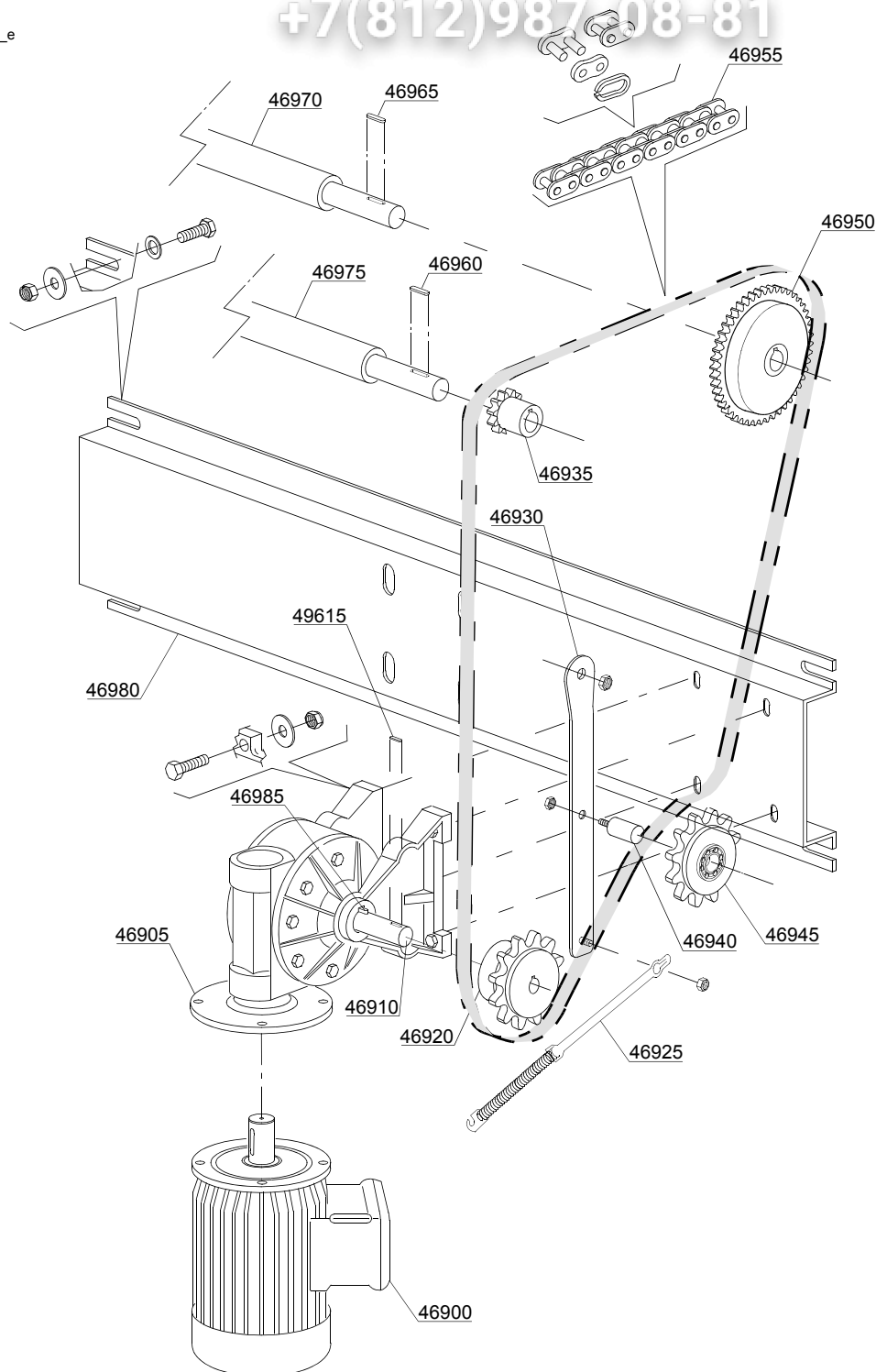
e=ELECTRONICAL SWITCHES, uw=LOWER AND UPPER WASHER

87=87

hr=HEAT RECOVERY - TR98, hp=HEAT PUMP - TR99, sc9=STEAM CONDENSER - LC 91, csa=CONVEYOR SPEED ADJUSTING - LC 101, d9=DRYER - LC 90, cw=ADDITIONAL BOILER FOR COLD WATER SUPPLY, dvgw=DVGW VALVE SYSTEM, szc8=SPLASH ZONE WITH CILINDER - LC 84, ti=TANK INSULATION, ds=DOUBLE SKIN, bp=BOOSTER PUMP, sdn3=DISPENSER SYSTEM SDN-3

A=3/N/PE~380-400V 50-60Hz, D=3/PE~200-210V 50-60Hz, F=2/PE~220-240V 50-60Hz, G=3/N/PE~415V 50-60Hz, H=3/PE~220-230V 50-60Hz, K=3/PE~380-400V 50-60Hz, L=3/PE~415V 50-60Hz, M=3/PE~440V 60Hz, P=1/N/PE~220-230V 50-60Hz, R=2/PE~220-240V 50-60Hz, U=1/N/PE~240V 50-60Hz, V=3/PE~240V 50-60Hz, W=1/N/PE~100-110V 50-60Hz

23\_006\_e



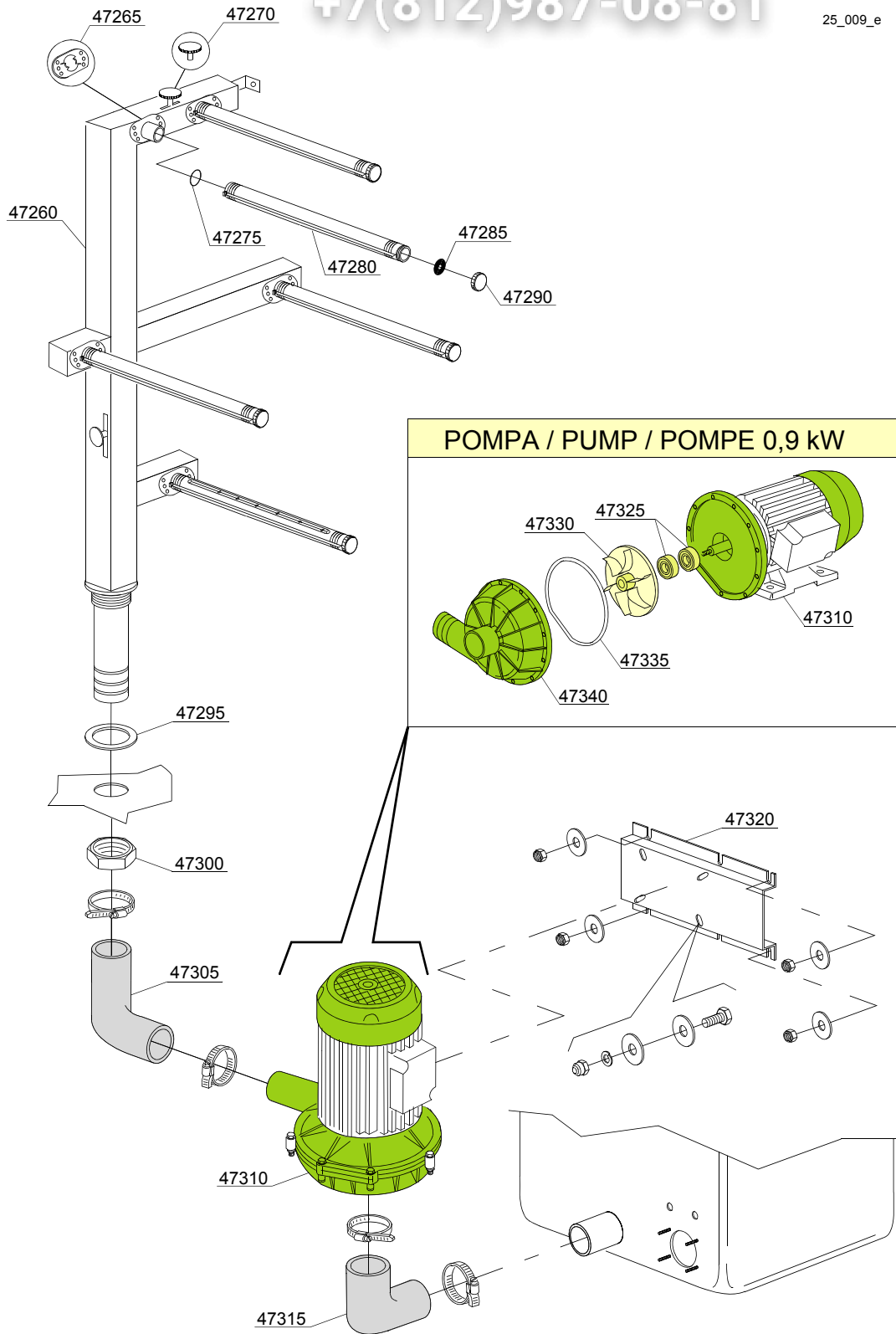
| ID                                  | P-code  | SN from | SN to | Mod  | Acces. | Volt | Description                                  |
|-------------------------------------|---------|---------|-------|------|--------|------|--|
| <b>Module: Motorgear components</b> |         |         |       |      |        |      |  |
| 46900                               | 3000127 |         | -     | e,uw |        |      | Motor gear 4/6P 400/415 V 50 Hz DIN          |
| 46900                               | 3020105 |         | -     | e,uw |        |      | Reduction motor gear 4/6P 400/415 V 50Hz DIN |
| 46905                               | 3000210 |         | -     | e,uw |        |      | Right reduction 1:80 (DX)                    |
| 46905                               | 3000211 |         | -     | e,uw |        |      | Left reduction 1:80 (SX)                     |
| 46905                               | 3000212 |         | -     | e,uw |        |      | Right reduction 1:60 (DX)                    |
| 46905                               | 3000213 |         | -     | e,uw |        |      | Left reduction 1:60 (SX)                     |
| 46910                               | 3060021 |         | -     | e,uw |        |      | Reducing tree                                |
| 46915                               | 3060181 |         | -     | e,uw |        |      | Inox key 5x5x25                              |
| 46920                               | 3061028 |         | -     | e,uw |        |      | Pinion Z20 1/2" - 5/16" Ø 14                 |
| 46925                               | 560003  |         | -     | e,uw |        |      | Spring                                       |
| 46930                               | 3060167 |         | -     | e,uw |        |      | Chain tightener                              |
| 46935                               | 3060170 |         | -     | e,uw |        |      | Pinion Z20 1/2" - 5/16"                      |
| 46940                               | 3060166 |         | -     | e,uw |        |      | Chain tightener Shaft                        |
| 46945                               | 3060042 |         | -     | e,uw |        |      | Chain tightener pinion                       |
| 46950                               | 3061028 |         | -     | e,uw |        |      | Pinion Z20 1/2" - 5/16" Ø 14                 |
| 46955                               | 3060041 |         | -     | e,uw |        |      | Chaine 1/2" 08B                              |
| 46960                               | 3060181 |         | -     | e,uw |        |      | Inox key 5x5x25                              |
| 46965                               | 3060181 |         | -     | e,uw |        |      | Inox key 5x5x25                              |
| 46970                               | 3061012 |         | -     | e,uw |        |      | Motor gear shaft Polycorde                   |
| 46975                               | 3062011 |         | -     | e,uw |        |      | Conducted shaft (not motorized)              |
| 46980                               | 3009060 |         | -     | e,uw |        |      | Motor gear support                           |
| 46985                               | 2001046 |         | -     | e,uw |        |      | Inox key 8x7x30                              |

e=ELECTRONICAL SWITCHES, uw=LOWER AND UPPER WASHER

87=87

hr=HEAT RECOVERY - TR98, hp=HEAT PUMP - TR99, sc9=STEAM CONDENSER - LC 91, csa=CONVEYOR SPEED ADJUSTING - LC 101, d9=DRYER - LC 90, cw=ADDITIONAL BOILER FOR COLD WATER SUPPLY, dvgw=DVGW VALVE SYSTEM, szc8=SPLASH ZONE WITH CILINDER - LC 84, ti=TANK INSULATION, ds=DOUBLE SKIN, bp=BOOSTER PUMP, sdn3=DISPENSER SYSTEM SDN-3

A=3/N/PE~380-400V 50-60Hz, D=3/PE~200-210V 50-60Hz, F=2/PE~220-240V 50-60Hz, G=3/N/PE~415V 50-60Hz, H=3/PE~220-230V 50-60Hz, K=3/PE~380-400V 50-60Hz, L=3/PE~415V 50-60Hz, M=3/PE~440V 60Hz, P=1/N/PE~220-230V 50-60Hz, R=2/PE~220-240V 50-60Hz, U=1/N/PE~240V 50-60Hz, V=3/PE~240V 50-60Hz, W=1/N/PE~100-110V 50-60Hz



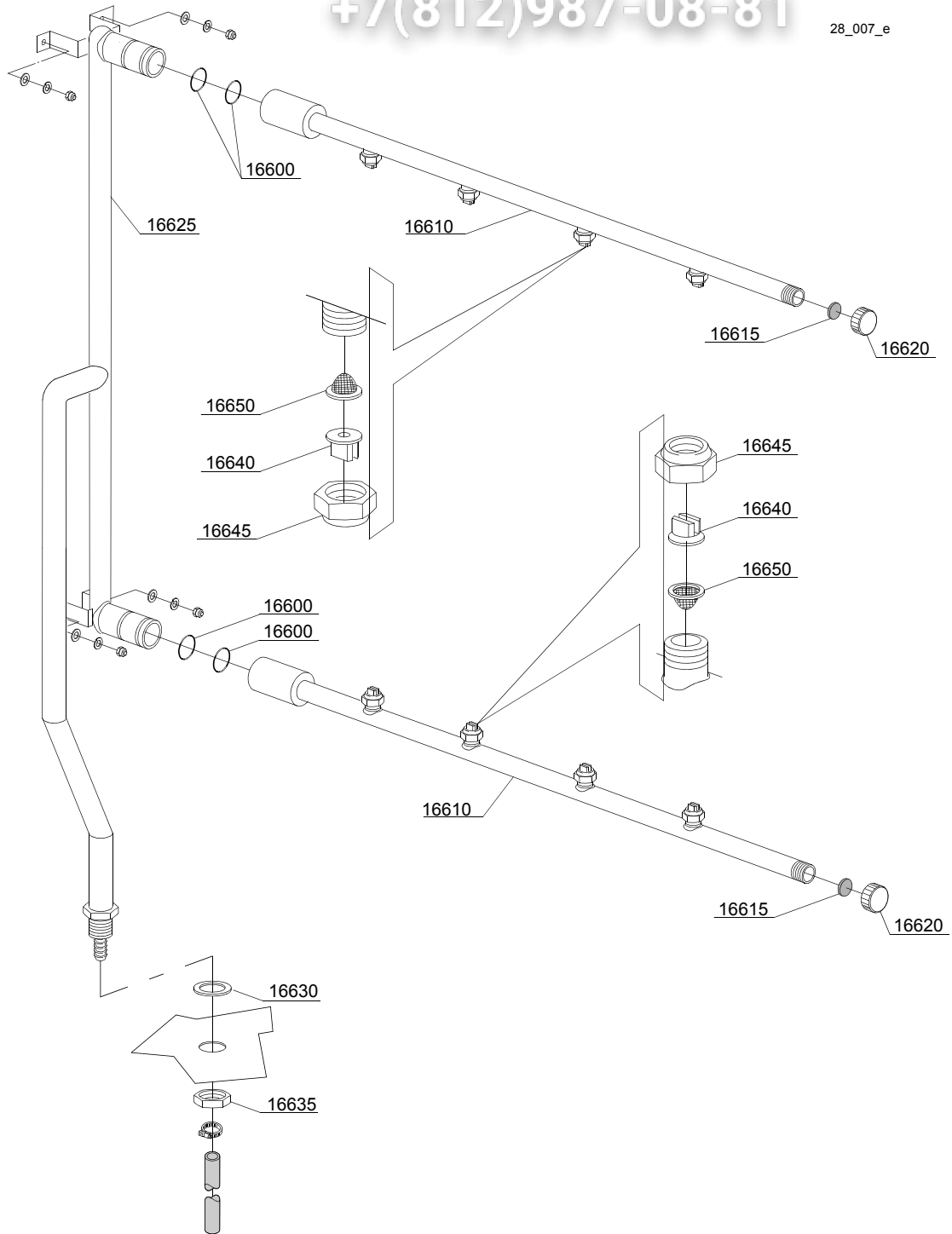
| ID                                      | P-code     | SN from | SN to | Mod. | Acces | Volt | Description                     |
|---|------------|---------|-------|------|-------|------|---------------------------------|
| <b>Module: Washing components 2+2+1</b> |            |         |       |      |       |      |                                 |
| 47260                                   | 3062028    |         | -     | e,uw |       |      | Wash ramp DX                    |
| 47260                                   | 3062025    |         | -     | e,uw |       |      | Wash ramp SX                    |
| 47265                                   | 3004148    |         | -     | e,uw |       |      | Arm connection flange           |
| 47270                                   | 3004146    |         | -     | e,uw |       |      | Water flow adjuster             |
| 47275                                   | 13028      |         | -     | e,uw |       |      | O-ring 3,6x30,8x38 R-23         |
| 47280                                   | 3004147    |         | -     | e,uw |       |      | Wash arm                        |
| 47285                                   | 80305      |         | -     | e,uw |       |      | Gasket                          |
| 47290                                   | 80304      |         | -     | e,uw |       |      | Arm plug                        |
| 47295                                   | 10200173/A |         | -     | e,uw |       |      | Gasket 75x58x3                  |
| 47300                                   | 10600012   |         | -     | e,uw |       |      | Flat nut                        |
| 47305                                   | 3004025    |         | -     | e,uw |       |      | Elbow coupling press. 50/50     |
| 47310                                   | 3000082    |         | -     | e,uw |       |      | Pump Hp 1,2 380/415 Vac 3 50 Hz |
| 47315                                   | 3002020    |         | -     | e,uw |       | A    | Suction elbow coupling Ø 60     |
| 47320                                   | 3009148    |         | -     | e,uw |       | H    | Pump support                    |
| 47325                                   | 15080      |         | -     | e,uw |       |      | Tenue roulante                  |
| 47330                                   | 3000085    |         | -     | e,uw |       |      | Rotor pompe HP 1,2 F2241 Ø105mm |
| 47335                                   | 10200290   |         | -     | e,uw |       |      | Joint OR-1225                   |
| 47340                                   | 10200222   |         | -     | e,uw |       |      | Couvercle de protection pompe   |

e=ELECTRONICAL SWITCHES, uw=LOWER AND UPPER WASHER

87=87

hr=HEAT RECOVERY - TR98, hp=HEAT PUMP - TR99, sc9=STEAM CONDENSER - LC 91, csa=CONVEYOR SPEED ADJUSTING - LC 101, d9=DRYER - LC 90, cw=ADDITIONAL BOILER FOR COLD WATER SUPPLY, dvgw=DVGW VALVE SYSTEM, szc8=SPLASH ZONE WITH CILINDER - LC 84, ti=TANK INSULATION, ds=DOUBLE SKIN, bp=BOOSTER PUMP, sdn3=DISPENSER SYSTEM SDN-3

A=3/N/PE~380-400V 50-60Hz, D=3/PE~200-210V 50-60Hz, F=2/PE~220-240V 50-60Hz, G=3/N/PE~415V 50-60Hz, H=3/PE~220-230V 50-60Hz, K=3/PE~380-400V 50-60Hz, L=3/PE~415V 50-60Hz, M=3/PE~440V 60Hz, P=1/N/PE~220-230V 50-60Hz, R=2/PE~220-240V 50-60Hz, U=1/N/PE~240V 50-60Hz, V=3/PE~240V 50-60Hz, W=1/N/PE~100-110V 50-60Hz





| ID                               | P-code  | SN from | SN to | Mod. | Acces | Volt | Description            |
|----------------------------------|---------|---------|-------|------|-------|------|------------------------|
| <b>Module:Rinsing components</b> |         |         |       |      |       |      |                        |
| 47350                            | 3062033 |         | -     | uw   |       |      | Rinsing ramp           |
| 47355                            | 3062038 |         | -     | uw   |       |      | Rinsing arm 2 nozzle   |
| 47360                            | 13025   |         | -     | uw   |       |      | O-ring 2081            |
| 47370                            | 2002051 |         | -     | uw   |       |      | Gasket EPDM 17.5x1.5   |
| 47375                            | 2002054 |         | -     | uw   |       |      | Plug for arm           |
| 47385                            | 13326   |         | -     | uw   |       |      | Gasket 38x27x2         |
| 47390                            | 2200103 |         | -     | uw   |       |      | 3/4 Esa.32x8 Nut       |
| 47395                            | 2200116 |         | -     | uw   |       |      | Nut                    |
| 47400                            | 2200118 |         | -     | uw   |       |      | Inox nozzle TC1-04/50° |
| 47405                            | 2200117 |         | -     | uw   |       |      | Filter                 |

e=ELECTRONICAL SWITCHES, uw=LOWER AND UPPER WASHER

87=87

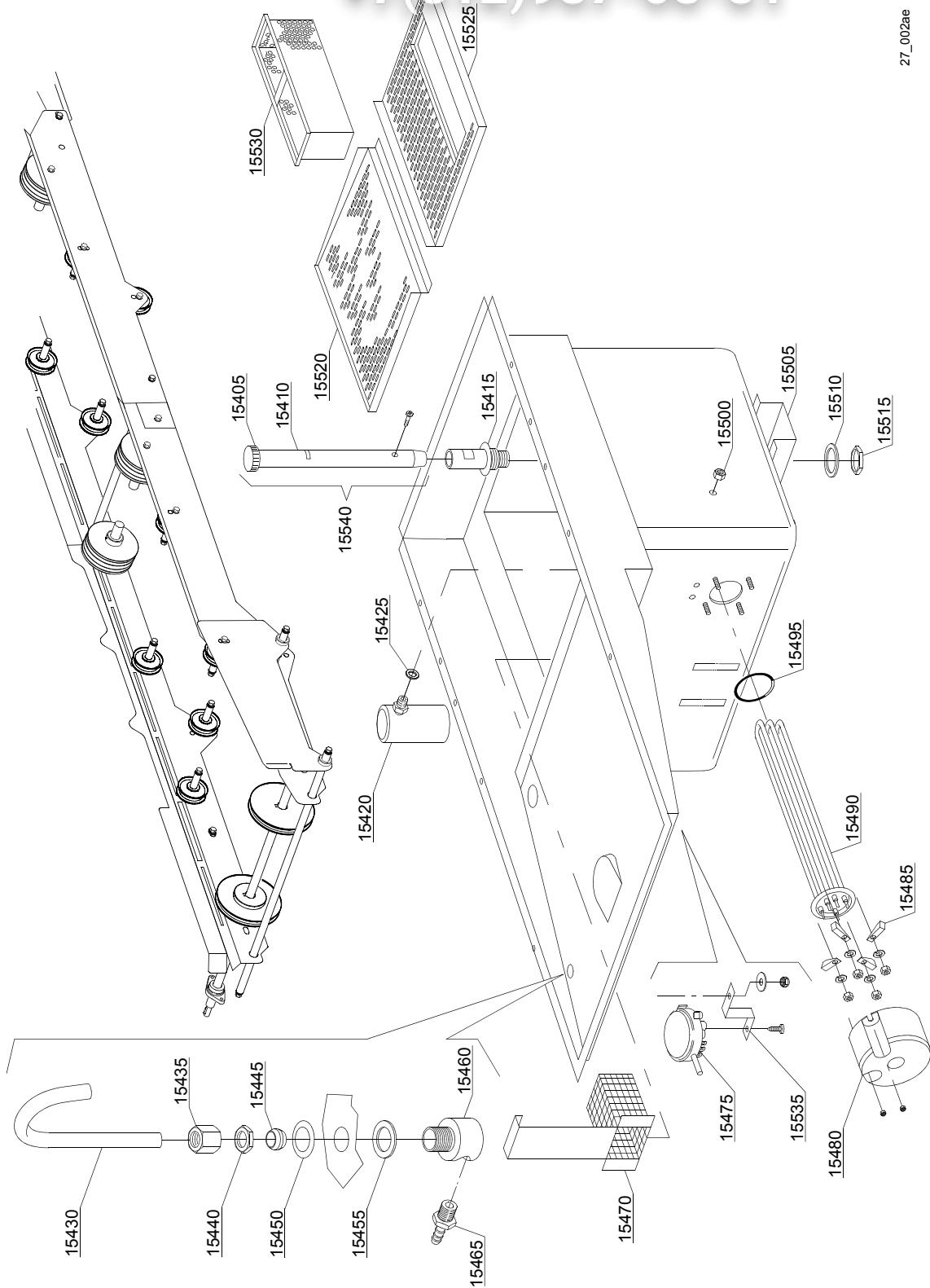
hr=HEAT RECOVERY - TR98, hp=HEAT PUMP - TR99, sc9=STEAM CONDENSER - LC 91, csa=CONVEYOR SPEED ADJUSTING - LC 101, d9=DRYER - LC 90, cw=ADDITIONAL BOILER FOR COLD WATER SUPPLY, dvgw=DVGW VALVE SYSTEM, szc8=SPLASH ZONE WITH CILINDER - LC 84, ti=TANK INSULATION, ds=DOUBLE SKIN, bp=BOOSTER PUMP, sdn3=DISPENSER SYSTEM SDN-3

A=3/N/PE~380-400V 50-60Hz, D=3/PE~200-210V 50-60Hz, F=2/PE~220-240V 50-60Hz, G=3/N/PE~415V 50-60Hz, H=3/PE~220-230V 50-60Hz, K=3/PE~380-400V 50-60Hz, L=3/PE~415V 50-60Hz, M=3/PE~440V 60Hz, P=1/N/PE~220-230V 50-60Hz, R=2/PE~220-240V 50-60Hz, U=1/N/PE~240V 50-60Hz, V=3/PE~240V 50-60Hz, W=1/N/PE~100-110V 50-60Hz

vsezip.ru

+7(812)987-08-81

27\_002ae



| ID   | P-code     | SN from | SN to | Mod. | Acces. | Volt | Description                  |
|--|------------|---------|-------|------|--------|------|------------------------------|
| <b>Module: Internal components washing module 1300</b> |            |         |       |      |        |      |                              |
| 15405  | 88105      |         | -     | e,uw |        |      | Overflow pipe plug           |
| 15410  | 3004094    |         | -     | e,uw |        |      | Overflow pipe                |
| 15415  | 3004099    |         | -     | e,uw |        |      | Overflow device support      |
| 15420  | 80106      |         | -     | e,uw |        |      | Air trap                     |
| 15425  | 13301      |         | -     | e,uw |        |      | Gasket ROLMART 14x8x1.5      |
| 15430  | 3004054    |         | -     | e,uw |        |      | Inlet pipe                   |
| 15435  | 10600016   |         | -     | e,uw |        |      | Nut                          |
| 15440  | 10200101   |         | -     | e,uw |        |      | Nut                          |
| 15445  | 10200182   |         | -     | e,uw |        |      | Cone                         |
| 15450  | 3009387    |         | -     | e,uw |        |      | Washer                       |
| 15455  | 10200171   |         | -     | e,uw |        |      | Gasket FASIT 25x17x2         |
| 15460  | 80231      |         | -     | e,uw |        |      | Fitting                      |
| 15465  | 12005      |         | -     | e,uw |        |      | Hose holder                  |
| 15470  | 3019071    |         | -     | e,uw |        |      | Pump suction-filter          |
| 15475  | 88110      |         | -     | e,uw |        |      | Pressure switch (260-30)     |
| 15480  | 75311      |         | -     | e,uw |        |      | Heating element cover        |
| 15485  | 16045      |         | -     | e,uw |        |      | Heating element support Ø6.3 |
| 15490  | 30001011   |         | -     | e,uw |        | A    | Heating element 9kW          |
| 15490  | 30001011/A |         | -     | e,uw |        | A    | Heating element 12kW         |
| 15490  | 30001011/B |         | -     | e,uw |        | A    | Heating element 14kW         |
| 15495  | 13015      |         | -     | e,uw |        |      | O-ring 160 (6225)            |
| 15500  | 11702      |         | -     | e,uw |        |      | Nut                          |
| 15505  | 3009299    |         | -     | e,uw |        |      | Tank support                 |
| 15510  | 10200173   |         | -     | e,uw |        |      | Gasket 75x58x3               |
| 15515  | 10600012   |         | -     | e,uw |        |      | Flat nut                     |
| 15520  | 3009567    |         | -     | e,uw |        |      | Strainer plate, back         |
| 15525  | 3019074    |         | -     | e,uw |        |      | Strainer plate front         |
| 15530  | 3019065    |         | -     | e,uw |        |      | Scrap tray                   |

e=ELECTRONICAL SWITCHES, uw=LOWER AND UPPER WASHER

87=87

hr=HEAT RECOVERY - TR98, hp=HEAT PUMP - TR99, sc9=STEAM CONDENSER - LC 91, csa=CONVEYOR SPEED ADJUSTING - LC 101, d9=DRYER - LC 90, cw=ADDITIONAL BOILER FOR COLD WATER SUPPLY, dvgw=DVGW VALVE SYSTEM, szc8=SPLASH ZONE WITH CILINDER - LC 84, ti=TANK INSULATION, ds=DOUBLE SKIN, bp=BOOSTER PUMP, sdn3=DISPENSER SYSTEM SDN-3

A=3/N/PE~380-400V 50-60Hz, D=3/PE~200-210V 50-60Hz, F=2/PE~220-240V 50-60Hz, G=3/N/PE~415V 50-60Hz, H=3/PE~220-230V 50-60Hz, K=3/PE~380-400V 50-60Hz, L=3/PE~415V 50-60Hz, M=3/PE~440V 60Hz, P=1/N/PE~220-230V 50-60Hz, R=2/PE~220-240V 50-60Hz, U=1/N/PE~240V 50-60Hz, V=3/PE~240V 50-60Hz, W=1/N/PE~100-110V 50-60Hz



vsezip.ru

| ID   | P-code  | SN from | SN to | Mod. | Acces. | Volt | Description             |
|--|---------|---------|-------|------|--------|------|-------------------------|
| <b>Module: Internal components washing module 1300</b> |         |         |       |      |        |      |                         |
| 15535  | 3009363 |         | -     | e,uw |        |      | Pressure switch support |
| 15540  | 3004101 |         | -     | e,uw |        |      | Overflow pipe assembly  |

e=ELECTRONICAL SWITCHES, uw=LOWER AND UPPER WASHER

87=87

hr=HEAT RECOVERY - TR98, hp=HEAT PUMP - TR99, sc9=STEAM CONDENSER - LC 91, csa=CONVEYOR SPEED ADJUSTING - LC 101, d9=DRYER - LC 90, cw=ADDITIONAL BOILER FOR COLD WATER SUPPLY, dvgw=DVGW VALVE SYSTEM, szc8=SPLASH ZONE WITH CILINDER - LC 84, ti=TANK INSULATION, ds=DOUBLE SKIN, bp=BOOSTER PUMP, sdn3=DISPENSER SYSTEM SDN-3

A=3/N/PE~380-400V 50-60Hz, D=3/PE~200-210V 50-60Hz, F=2/PE~220-240V 50-60Hz, G=3/N/PE~415V 50-60Hz, H=3/PE~220-230V 50-60Hz, K=3/PE~380-400V 50-60Hz, L=3/PE~415V 50-60Hz, M=3/PE~440V 60Hz, P=1/N/PE~220-230V 50-60Hz, R=2/PE~220-240V 50-60Hz, U=1/N/PE~240V 50-60Hz, V=3/PE~240V 50-60Hz, W=1/N/PE~100-110V 50-60Hz



| ID                              | P-code     | SN from | SN to | Mod. | Acces | Volt | Description                  |
|---------------------------------|------------|---------|-------|------|-------|------|------------------------------|
| <b>Module:Boiler components</b> |            |         |       |      |       |      |                              |
| 17100                           | 75205      |         | -     | e,uw |       |      | Bottom boiler insulating     |
| 17105                           | 30002030   |         | -     | e,uw |       |      | Boiler insulating            |
| 17110                           | 3007012    |         | -     | e,uw |       |      | Inferior Boiler              |
| 17115                           | 3007013    |         | -     | e,uw |       |      | Upper Boiler                 |
| 17120                           | 13015      |         | -     | e,uw |       |      | O-ring 160 (6225)            |
| 17125                           | 75311      |         | -     | e,uw |       |      | Heating element cover        |
| 17130                           | 16045      |         | -     | e,uw |       |      | Heating element support Ø6.3 |
| 17135                           | 30001011   |         | -     | e,uw |       | A    | Heating element 9kW          |
| 17135                           | 30001011/A |         | -     | e,uw |       | A    | Heating element 12kW         |
| 17135                           | 30001011/B |         | -     | e,uw |       | A    | Heating element 14kW         |

e=ELECTRONICAL SWITCHES, uw=LOWER AND UPPER WASHER

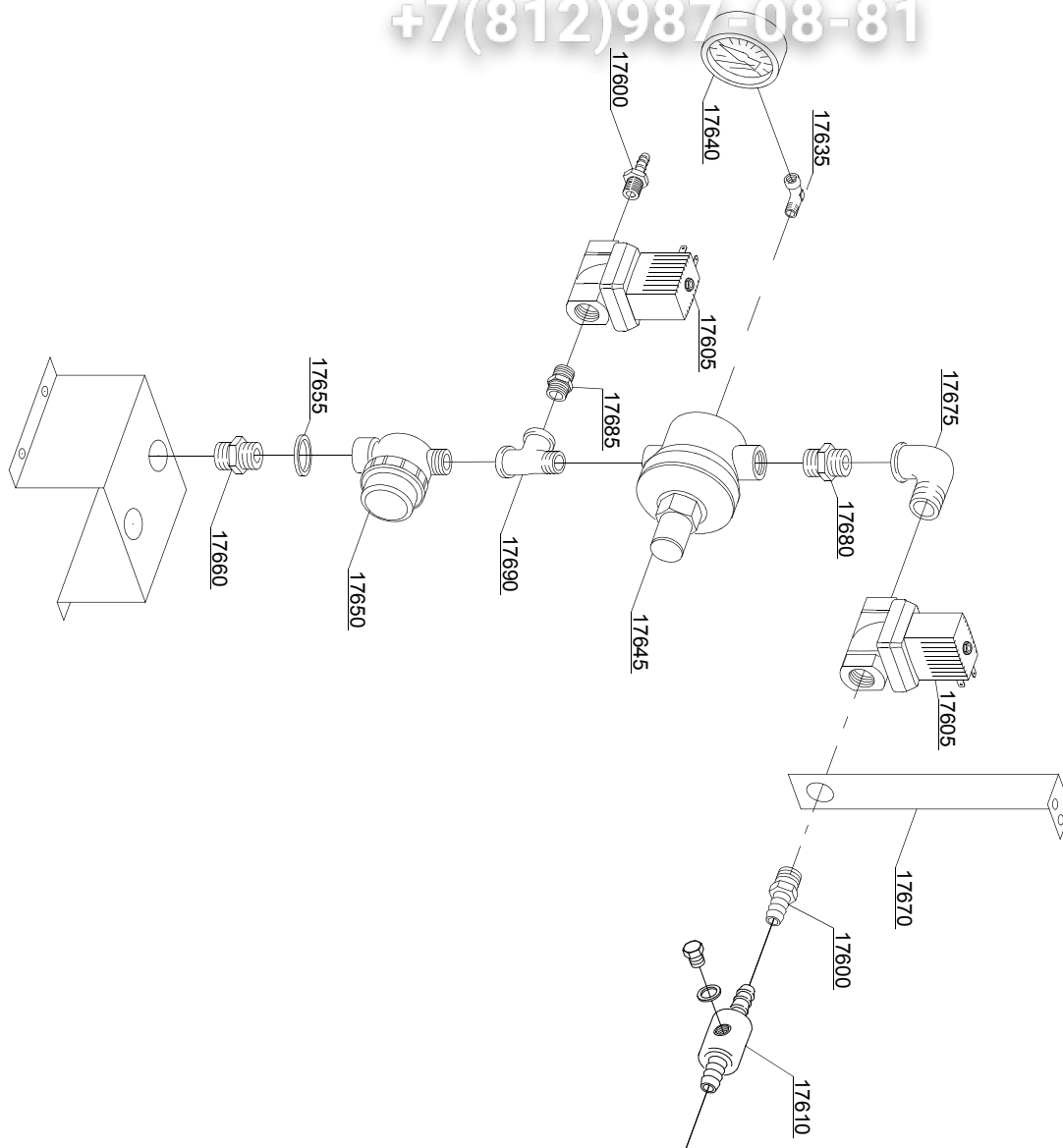
87=87

hr=HEAT RECOVERY - TR98, hp=HEAT PUMP - TR99, sc9=STEAM CONDENSER - LC 91, csa=CONVEYOR SPEED ADJUSTING - LC 101, d9=DRYER - LC 90, cw=ADDITIONAL BOILER FOR COLD WATER SUPPLY, dvgw=DVGW VALVE SYSTEM, szc8=SPLASH ZONE WITH CILINDER - LC 84, ti=TANK INSULATION, ds=DOUBLE SKIN, bp=BOOSTER PUMP, sdn3=DISPENSER SYSTEM SDN-3

A=3/N/PE~380-400V 50-60Hz, D=3/PE~200-210V 50-60Hz, F=2/PE~220-240V 50-60Hz, G=3/N/PE~415V 50-60Hz, H=3/PE~220-230V 50-60Hz, K=3/PE~380-400V 50-60Hz, L=3/PE~415V 50-60Hz, M=3/PE~440V 60Hz, P=1/N/PE~220-230V 50-60Hz, R=2/PE~220-240V 50-60Hz, U=1/N/PE~240V 50-60Hz, V=3/PE~240V 50-60Hz, W=1/N/PE~100-110V 50-60Hz

vsezip.ru

+7(812)987-08-81



29\_003\_e



vsezip.ru

| ID   | P-code   | SN from | SN to | Mod  | Acces. | Volt | Description              |
|--|----------|---------|-------|------|--------|------|--------------------------|
| <b>Module:Solenoid valves components: tank loading</b> |          |         |       |      |        |      |                          |
| 17600  | 12023    |         | -     | e,uw |        |      | Hose holder              |
| 17605  | 3002030  |         | -     | e,uw |        |      | Solenoid valve           |
| 17610  | 3003906  |         | -     | e,uw |        |      | Connection T             |
| 17635  | 12012    |         | -     | e,uw |        |      | Elbow                    |
| 17640  | 2000244  |         | -     | e,uw |        |      | Pressure reduction gauge |
| 17645  | 2000364  |         | -     | e,uw |        |      | Pressure reduction valve |
| 17650  | 2000121  |         | -     | e,uw |        |      | Filter                   |
| 17655  | 13326    |         | -     | e,uw |        |      | Gasket 38x27x2           |
| 17660  | 12025    |         | -     | e,uw |        |      | Nipples                  |
| 17665  | 12033    |         | -     | e,uw |        |      | Nipples                  |
| 17670  | 3009585  |         | -     | e,uw |        |      | Solenoid valve support   |
| 17675  | 3002141  |         | -     | e,uw |        |      | Elbow                    |
| 17680  | 10200208 |         | -     | e,uw |        |      | Nipples                  |
| 17685  | 3002145  |         | -     | e,uw |        |      | Reduction nipples        |
| 17690  | 3002144  |         | -     | e,uw |        |      | Connection T             |

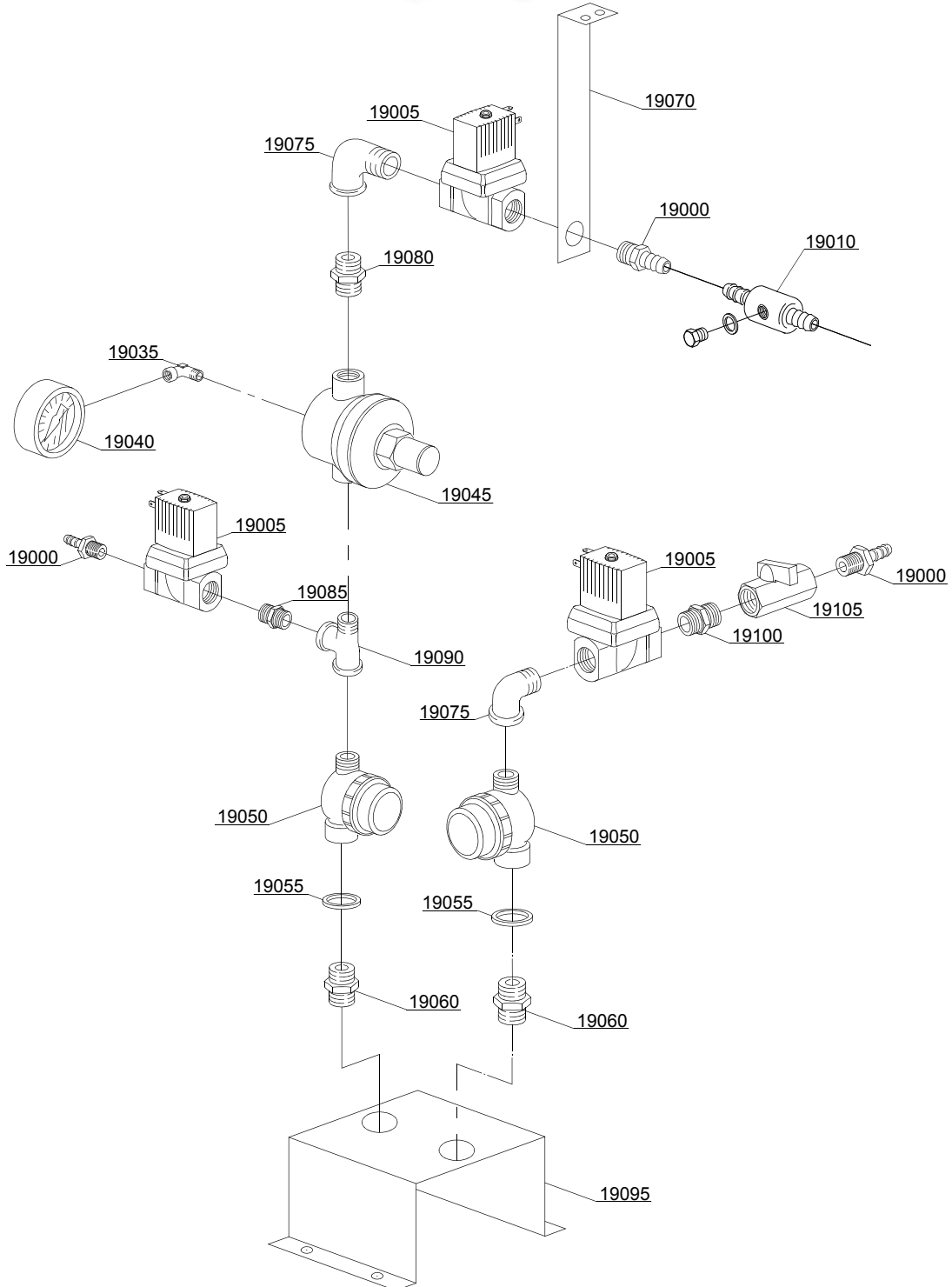
e=ELECTRONICAL SWITCHES, uw=LOWER AND UPPER WASHER

87=87

hr=HEAT RECOVERY - TR98, hp=HEAT PUMP - TR99, sc9=STEAM CONDENSER - LC 91, csa=CONVEYOR SPEED ADJUSTING - LC 101, d9=DRYER - LC 90, cw=ADDITIONAL BOILER FOR COLD WATER SUPPLY, dvgw=DVGW VALVE SYSTEM, szc8=SPLASH ZONE WITH CILINDER - LC 84, ti=TANK INSULATION, ds=DOUBLE SKIN, bp=BOOSTER PUMP, sdn3=DISPENSER SYSTEM SDN-3

A=3/N/PE~380-400V 50-60Hz, D=3/PE~200-210V 50-60Hz, F=2/PE~220-240V 50-60Hz, G=3/N/PE~415V 50-60Hz, H=3/PE~220-230V 50-60Hz, K=3/PE~380-400V 50-60Hz, L=3/PE~415V 50-60Hz, M=3/PE~440V 60Hz, P=1/N/PE~220-230V 50-60Hz, R=2/PE~220-240V 50-60Hz, U=1/N/PE~240V 50-60Hz, V=3/PE~240V 50-60Hz, W=1/N/PE~100-110V 50-60Hz

29\_004ae



| ID  | P-code   | SN from | SN to | Mod  | Acces | Volt | Description              |
|---|----------|---------|-------|------|-------|------|--------------------------|
| <b>Module: Solenoid valves components: tank loading - rinsing - steam condenser</b> |          |         |       |      |       |      |                          |
| 19000   | 12023    |         | -     | e,uw |       |      | Hose holder              |
| 19005   | 3002030  |         | -     | e,uw |       |      | Solenoid valve           |
| 19010   | 3003906  |         | -     | e,uw |       |      | Connection T             |
| 19035   | 12012    |         | -     | e,uw |       |      | Elbow                    |
| 19040   | 2000244  |         | -     | e,uw |       |      | Pressure reduction gauge |
| 19045   | 2000364  |         | -     | e,uw |       |      | Pressure reduction valve |
| 19050   | 2000121  |         | -     | e,uw |       |      | Filter                   |
| 19055   | 13326    |         | -     | e,uw |       |      | Gasket 38x27x2           |
| 19060   | 12025    |         | -     | e,uw |       |      | Nipples                  |
| 19065   | 12033    |         | -     | e,uw |       |      | Nipples                  |
| 19070   | 3009585  |         | -     | e,uw |       |      | Solenoid valve support   |
| 19075   | 3002141  |         | -     | e,uw |       |      | Elbow                    |
| 19080   | 10200208 |         | -     | e,uw |       |      | Nipples                  |
| 19085   | 3002145  |         | -     | e,uw |       |      | Reduction nipples        |
| 19090   | 3002144  |         | -     | e,uw |       |      | Connection T             |
| 19095   | 3009220  |         | -     | e,uw |       |      | Solenoid valve support   |
| 19100   | 12027    |         | -     | e,uw |       |      | Nipples                  |
| 19105   | 3002140  |         | -     | e,uw |       |      | Tap                      |

e=ELECTRONICAL SWITCHES, uw=LOWER AND UPPER WASHER

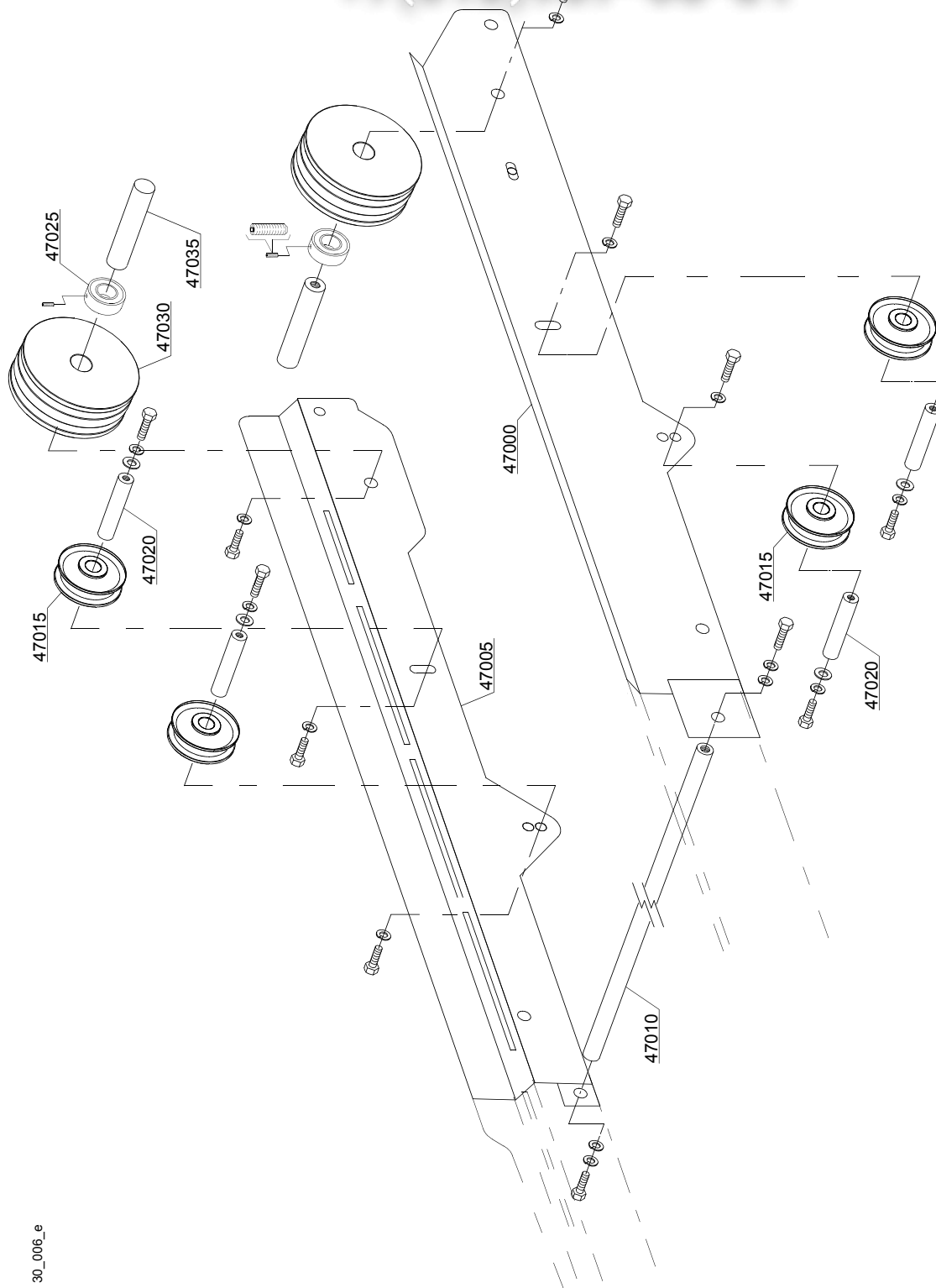
87=87

hr=HEAT RECOVERY - TR98, hp=HEAT PUMP - TR99, sc9=STEAM CONDENSER - LC 91, csa=CONVEYOR SPEED ADJUSTING - LC 101, d9=DRYER - LC 90, cw=ADDITIONAL BOILER FOR COLD WATER SUPPLY, dvgw=DVGW VALVE SYSTEM, szc8=SPLASH ZONE WITH CILINDER - LC 84, ti=TANK INSULATION, ds=DOUBLE SKIN, bp=BOOSTER PUMP, sdn3=DISPENSER SYSTEM SDN-3

A=3/N/PE~380-400V 50-60Hz, D=3/PE~200-210V 50-60Hz, F=2/PE~220-240V 50-60Hz, G=3/N/PE~415V 50-60Hz, H=3/PE~220-230V 50-60Hz, K=3/PE~380-400V 50-60Hz, L=3/PE~415V 50-60Hz, M=3/PE~440V 60Hz, P=1/N/PE~220-230V 50-60Hz, R=2/PE~220-240V 50-60Hz, U=1/N/PE~240V 50-60Hz, V=3/PE~240V 50-60Hz, W=1/N/PE~100-110V 50-60Hz

vsezip.ru

+7(812)987-08-81



30\_006\_e

| ID   | P-code  | SN from | SN to | Mod. | Acces | Volt | Description                 |
|--|---------|---------|-------|------|-------|------|-----------------------------|
| <b>Module: Polycord guides: central zone</b> |         |         |       |      |       |      |                             |
| 47000  | 3062007 |         | -     | e,uw |       |      | Right front guide DX        |
| 47000  | 3062006 |         | -     | e,uw |       |      | Left front guide SX         |
| 47005  | 3062005 |         | -     | e,uw |       |      | Right back guide DX         |
| 47005  | 3062004 |         | -     | e,uw |       |      | Left back guide SX          |
| 47010  | 3062030 |         | -     | e,uw |       |      | Back and front guide axis   |
| 47015  | 3061005 |         | -     | e,uw |       |      | Neutral pulley Ø70          |
| 47020  | 3062029 |         | -     | e,uw |       |      | Belt tightening pulley axis |
| 47025  | 3003048 |         | -     | e,uw |       |      | Spacer distance ring        |
| 47030  | 3062003 |         | -     | e,uw |       |      | Double pulley               |
| 47035  | 3062031 |         | -     | e,uw |       |      | Double pulley axis          |

e=ELECTRONICAL SWITCHES, uw=LOWER AND UPPER WASHER

87=87

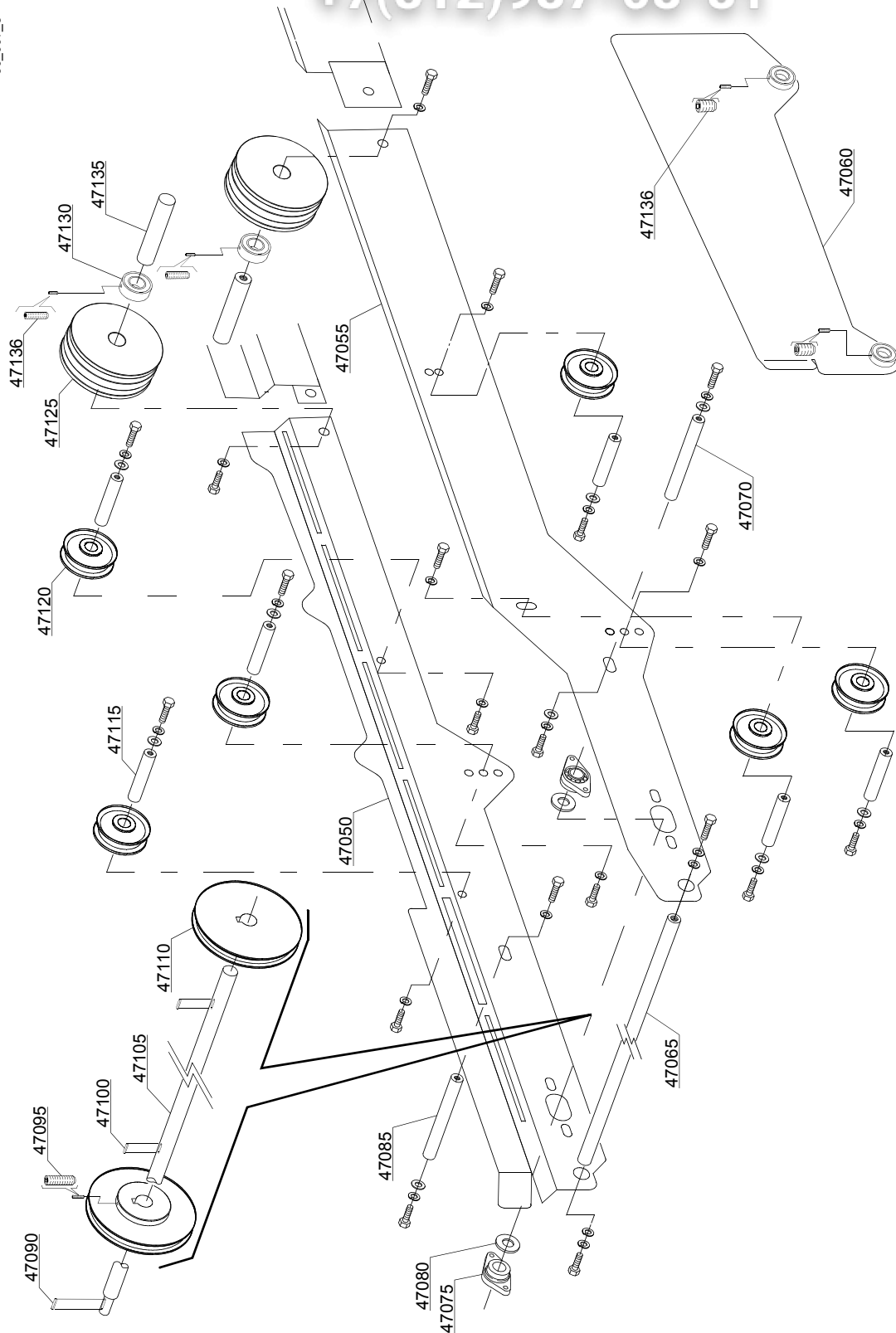
hr=HEAT RECOVERY - TR98, hp=HEAT PUMP - TR99, sc9=STEAM CONDENSER - LC 91, csa=CONVEYOR SPEED ADJUSTING - LC 101, d9=DRYER - LC 90, cw=ADDITIONAL BOILER FOR COLD WATER SUPPLY, dvgw=DVGW VALVE SYSTEM, szc8=SPLASH ZONE WITH CILINDER - LC 84, ti=TANK INSULATION, ds=DOUBLE SKIN, bp=BOOSTER PUMP, sdn3=DISPENSER SYSTEM SDN-3

A=3/N/PE~380-400V 50-60Hz, D=3/PE~200-210V 50-60Hz, F=2/PE~220-240V 50-60Hz, G=3/N/PE~415V 50-60Hz, H=3/PE~220-230V 50-60Hz, K=3/PE~380-400V 50-60Hz, L=3/PE~415V 50-60Hz, M=3/PE~440V 60Hz, P=1/N/PE~220-230V 50-60Hz, R=2/PE~220-240V 50-60Hz, U=1/N/PE~240V 50-60Hz, V=3/PE~240V 50-60Hz, W=1/N/PE~100-110V 50-60Hz

vsezip.ru

+7(812)987-08-81

30\_007\_e



| ID   | P-code  | SN from | SN to | Mod. | Acces | Volt | Description                               |
|--|---------|---------|-------|------|-------|------|---|
| <b>Module: Polycord guides: inlet zone</b> |         |         |       |      |       |      |   |
| 47050                                      | 3062004 |         | -     | e,uw |       |      | Right back guide DX                       |
| 47055                                      | 3062006 |         | -     | e,uw |       |      | Left back guide SX                        |
| 47060                                      | 3062010 |         | -     | e,uw |       |      | Inlet Side board adjustable               |
| 47065                                      | 3062028 |         | -     | e,uw |       |      | Fixing axis for internal / external guide |
| 47070                                      | 3062032 |         | -     | e,uw |       |      | In let side board axis adjustable         |
| 47075                                      | 3000260 |         | -     | e,uw |       |      | Bearing / Support for shaft               |
| 47080                                      | 3003048 |         | -     | e,uw |       |      | Spacer distance ring                      |
| 47085                                      | 3062032 |         | -     | e,uw |       |      | In let side board axis adjustable         |
| 47090                                      | 3060181 |         | -     | e,uw |       |      | 5x5x25 inox key                           |
| 47095                                      | 11505   |         | -     | e,uw |       |      | Stop dowel M6x16 inox                     |
| 47100                                      | 2001045 |         | -     | e,uw |       |      | 6x6x32 inox key                           |
| 47105                                      | 3062011 |         | -     | e,uw |       |      | (2°) Secondary shaft                      |
| 47110                                      | 3062014 |         | -     | e,uw |       |      | Pulley Ø 110mm                            |
| 47115                                      | 3062029 |         | -     | e,uw |       |      | Belt tightening pulley axis               |
| 47120                                      | 3061005 |         | -     | e,uw |       |      | Neutral pulley Ø70mm                      |
| 47125                                      | 3062003 |         | -     | e,uw |       |      | Double pulley                             |
| 47130                                      | 3003048 |         | -     | e,uw |       |      | Spacer distance ring                      |
| 47135                                      | 3062031 |         | -     | e,uw |       |      | Double pulley axis                        |
| 47136                                      | 11504   |         | -     | e,uw |       |      | Stop dowel M6x8 inox UNI5923 DI913        |

e=ELECTRONICAL SWITCHES, uw=LOWER AND UPPER WASHER

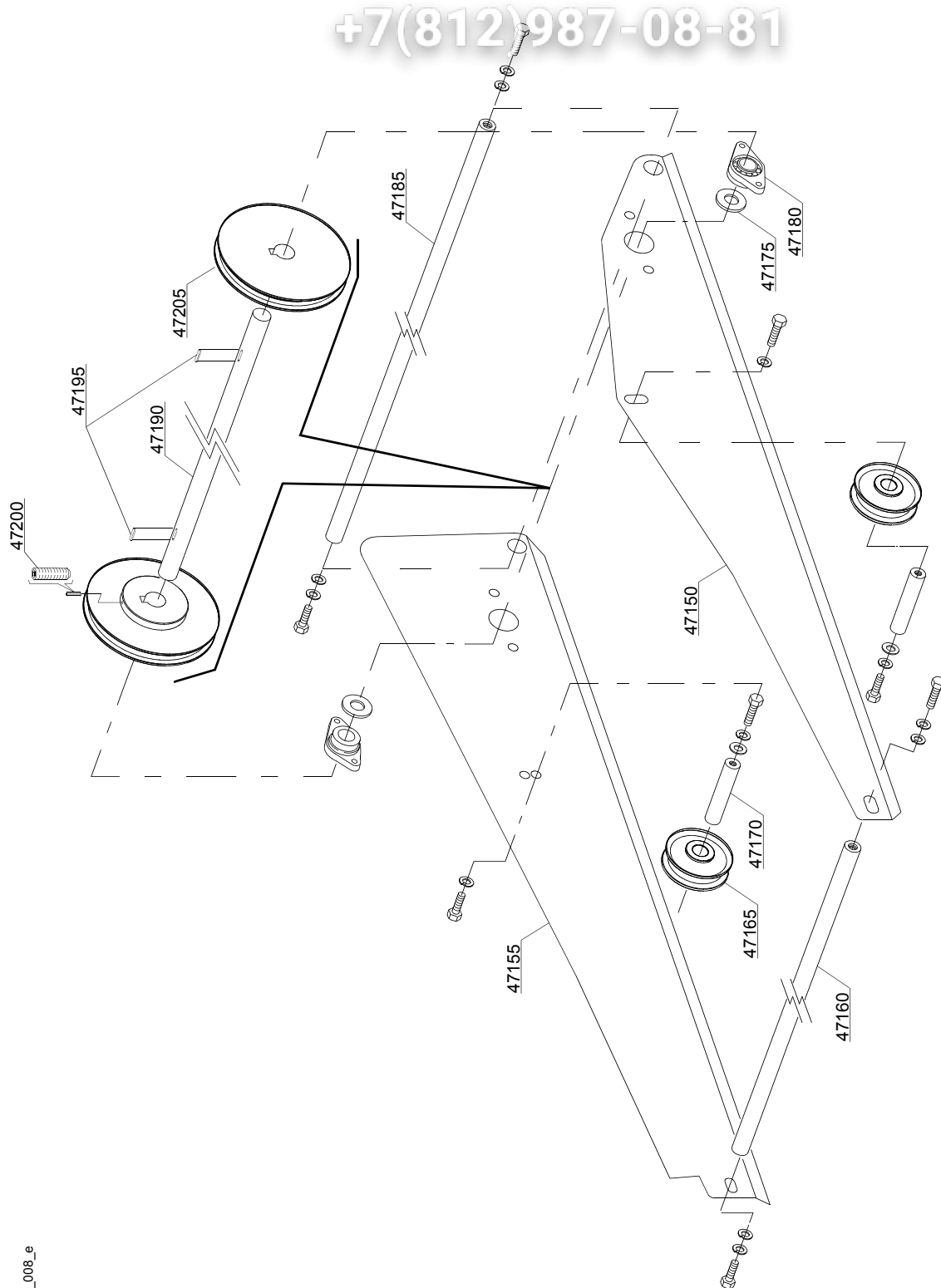
87=87

hr=HEAT RECOVERY - TR98, hp=HEAT PUMP - TR99, sc9=STEAM CONDENSER - LC 91, csa=CONVEYOR SPEED ADJUSTING - LC 101, d9=DRYER - LC 90, cw=ADDITIONAL BOILER FOR COLD WATER SUPPLY, dvgw=DVGW VALVE SYSTEM, szc8=SPLASH ZONE WITH CILINDER - LC 84, ti=TANK INSULATION, ds=DOUBLE SKIN, bp=BOOSTER PUMP, sdn3=DISPENSER SYSTEM SDN-3

A=3/N/PE~380-400V 50-60Hz, D=3/PE~200-210V 50-60Hz, F=2/PE~220-240V 50-60Hz, G=3/N/PE~415V 50-60Hz, H=3/PE~220-230V 50-60Hz, K=3/PE~380-400V 50-60Hz, L=3/PE~415V 50-60Hz, M=3/PE~440V 60Hz, P=1/N/PE~220-230V 50-60Hz, R=2/PE~220-240V 50-60Hz, U=1/N/PE~240V 50-60Hz, V=3/PE~240V 50-60Hz, W=1/N/PE~100-110V 50-60Hz

vsezip.ru

+7(812)987-08-81



30\_008\_e



| ID  | P-code  | SN from | SN to | Mod. | Acces | Volt | Description                 |
|---|---------|---------|-------|------|-------|------|-----------------------------|
| <b>Module: Polycord guides: drying zone</b> |         |         |       |      |       |      |                             |
| 47150                                       | 3062009 |         | -     | e,uw |       |      | Front guide                 |
| 47155                                       | 3062008 |         | -     | e,uw |       |      | Back guide                  |
| 47160                                       | 3062030 |         | -     | e,uw |       |      | Back and front guide axis   |
| 47165                                       | 3061005 |         | -     | e,uw |       |      | Neutral pulley Ø70mm        |
| 47170                                       | 3062029 |         | -     | e,uw |       |      | Belt tightening pulley axis |
| 47175                                       | 3003048 |         | -     | e,uw |       |      | Spacer distance ring        |
| 47180                                       | 3000260 |         | -     | e,uw |       |      | Bearing / Support for shaft |
| 47185                                       | 3062028 |         | -     | e,uw |       |      | Guide axis indoor / outside |
| 47190                                       | 3062012 |         | -     | e,uw |       |      | Neutral shaft               |
| 47195                                       | 2001045 |         | -     | e,uw |       |      | 6x6x32 inox key             |
| 47200                                       | 11505   |         | -     | e,uw |       |      | Stop dowel M6x16 inox       |
| 47205                                       | 3062014 |         | -     | e,uw |       |      | Pulley Ø 110mm              |

e=ELECTRONICAL SWITCHES, uw=LOWER AND UPPER WASHER

87=87

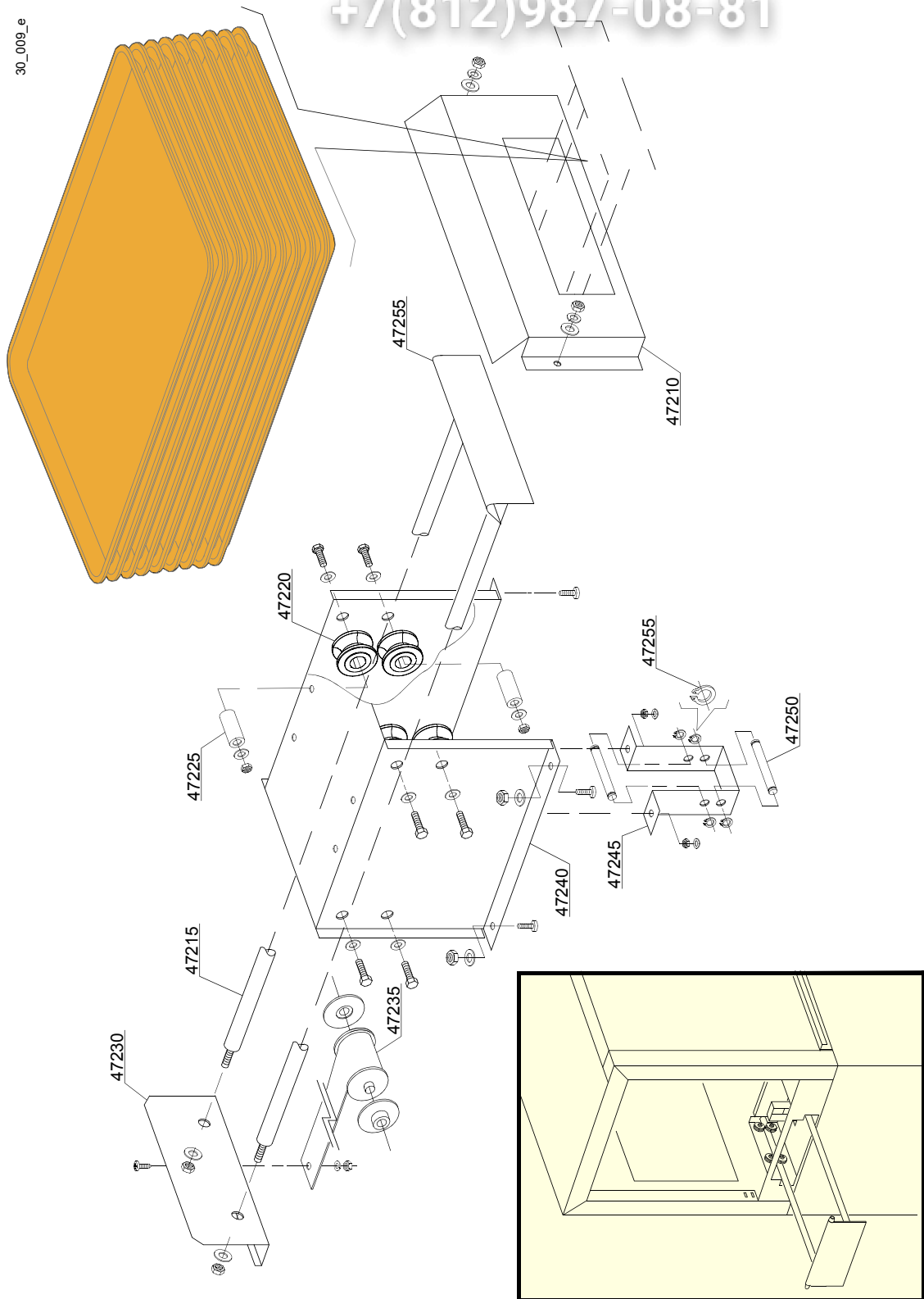
hr=HEAT RECOVERY - TR98, hp=HEAT PUMP - TR99, sc9=STEAM CONDENSER - LC 91, csa=CONVEYOR SPEED ADJUSTING - LC 101, d9=DRYER - LC 90, cw=ADDITIONAL BOILER FOR COLD WATER SUPPLY, dvgw=DVGW VALVE SYSTEM, szc8=SPLASH ZONE WITH CILINDER - LC 84, ti=TANK INSULATION, ds=DOUBLE SKIN, bp=BOOSTER PUMP, sdn3=DISPENSER SYSTEM SDN-3

A=3/N/PE~380-400V 50-60Hz, D=3/PE~200-210V 50-60Hz, F=2/PE~220-240V 50-60Hz, G=3/N/PE~415V 50-60Hz, H=3/PE~220-230V 50-60Hz, K=3/PE~380-400V 50-60Hz, L=3/PE~415V 50-60Hz, M=3/PE~440V 60Hz, P=1/N/PE~220-230V 50-60Hz, R=2/PE~220-240V 50-60Hz, U=1/N/PE~240V 50-60Hz, V=3/PE~240V 50-60Hz, W=1/N/PE~100-110V 50-60Hz

vsezip.ru

+7(812)987-08-81

30\_009\_e



| ID                                   | P-code  | SN from | SN to | Mod. | Acces | Volt | Description                  |
|--------------------------------------|---------|---------|-------|------|-------|------|------------------------------|
| <b>Module: Accumulateur plateaux</b> |         |         |       |      |       |      |                              |
| 47210                                | 3062024 |         | -     | e,uw |       |      | Escape slide                 |
| 47215                                | 3062021 |         | -     | e,uw |       |      | Sliding axis bracket         |
| 47220                                | 3062017 |         | -     | e,uw |       |      | Wheel                        |
| 47225                                | 3062016 |         | -     | e,uw |       |      | Spacer                       |
| 47230                                | 3062023 |         | -     | e,uw |       |      | End stop                     |
| 47235                                | 3062000 |         | -     | e,uw |       |      | Inox spring                  |
| 47240                                | 3062022 |         | -     | e,uw |       |      | Chassis                      |
| 47245                                | 3062019 |         | -     | e,uw |       |      | Support seam for inox spring |
| 47250                                | 3062018 |         | -     | e,uw |       |      | Spring hinge guides          |
| 47255                                | 3062020 |         | -     | e,uw |       |      | External support             |

e=ELECTRONICAL SWITCHES, uw=LOWER AND UPPER WASHER

87=87

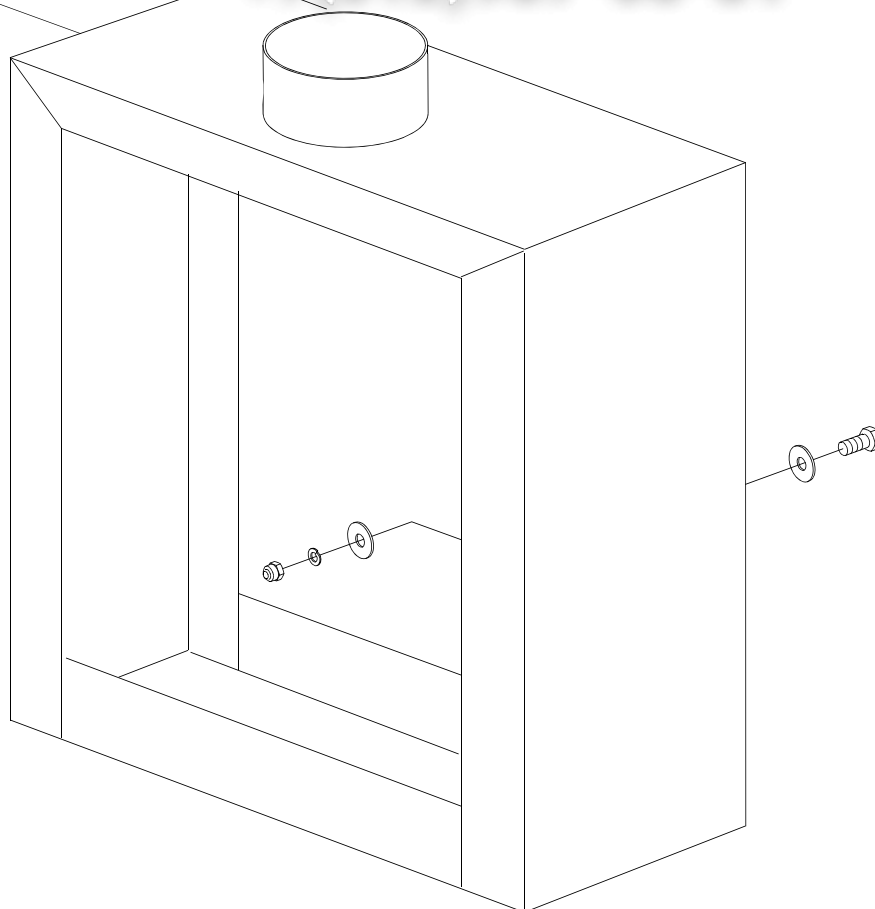
hr=HEAT RECOVERY - TR98, hp=HEAT PUMP - TR99, sc9=STEAM CONDENSER - LC 91, csa=CONVEYOR SPEED ADJUSTING - LC 101, d9=DRYER - LC 90, cw=ADDITIONAL BOILER FOR COLD WATER SUPPLY, dvgw=DVGW VALVE SYSTEM, szc8=SPLASH ZONE WITH CILINDER - LC 84, ti=TANK INSULATION, ds=DOUBLE SKIN, bp=BOOSTER PUMP, sdn3=DISPENSER SYSTEM SDN-3

A=3/N/PE~380-400V 50-60Hz, D=3/PE~200-210V 50-60Hz, F=2/PE~220-240V 50-60Hz, G=3/N/PE~415V 50-60Hz, H=3/PE~220-230V 50-60Hz, K=3/PE~380-400V 50-60Hz, L=3/PE~415V 50-60Hz, M=3/PE~440V 60Hz, P=1/N/PE~220-230V 50-60Hz, R=2/PE~220-240V 50-60Hz, U=1/N/PE~240V 50-60Hz, V=3/PE~240V 50-60Hz, W=1/N/PE~100-110V 50-60Hz

vsezip.ru

+7(812)987-08-81

22800



32\_001ae

vsezip.ru

| ID                                       | P-code    | SN from | SN to | Mod. | Acces. | Volt | Description                    |
|--|-----------|---------|-------|------|--------|------|--------------------------------|
| <b>Module: Splash zone with cilinder</b> |           |         |       |      |        |      |                                |
| 22800                                    | 999910065 |         | -     | e,uw |        |      | Splash zone with cilinder LC94 |

e=ELECTRONICAL SWITCHES, uw=LOWER AND UPPER WASHER

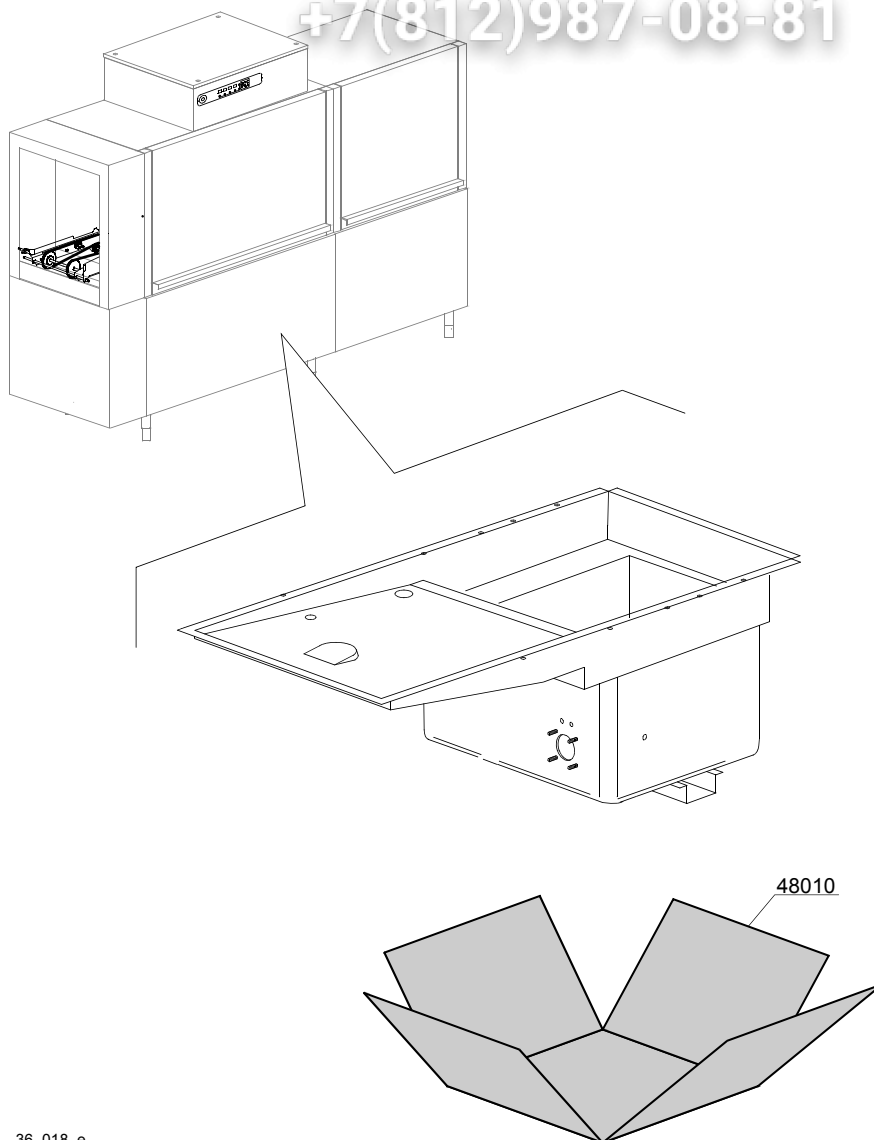
87=87

hr=HEAT RECOVERY - TR98, hp=HEAT PUMP - TR99, sc9=STEAM CONDENSER - LC 91, csa=CONVEYOR SPEED ADJUSTING - LC 101, d9=DRYER - LC 90, cw=ADDITIONAL BOILER FOR COLD WATER SUPPLY, dvgw=DVGW VALVE SYSTEM, szc8=SPLASH ZONE WITH CILINDER - LC 84, ti=TANK INSULATION, ds=DOUBLE SKIN, bp=BOOSTER PUMP, sdn3=DISPENSER SYSTEM SDN-3

A=3/N/PE~380-400V 50-60Hz, D=3/PE~200-210V 50-60Hz, F=2/PE~220-240V 50-60Hz, G=3/N/PE~415V 50-60Hz, H=3/PE~220-230V 50-60Hz, K=3/PE~380-400V 50-60Hz, L=3/PE~415V 50-60Hz, M=3/PE~440V 60Hz, P=1/N/PE~220-230V 50-60Hz, R=2/PE~220-240V 50-60Hz, U=1/N/PE~240V 50-60Hz, V=3/PE~240V 50-60Hz, W=1/N/PE~100-110V 50-60Hz

vsezip.ru

+7(812)987-08-81



36\_018\_e

| ID                             | P-code    | SN from | SN to | Mod | Acces. | Volt | Description  |
|--------------------------------|-----------|---------|-------|-----|--------|------|--|
| <b>Module: Tank insulation</b> |           |         |       |     |        |      |  |
| 48010                          | 999910207 |         | -     | uw  | ti     |      | Tank insulation<br>N.B.: kit suppliable only together with the machine,<br>not after |

e=ELECTRONICAL SWITCHES, uw=LOWER AND UPPER WASHER

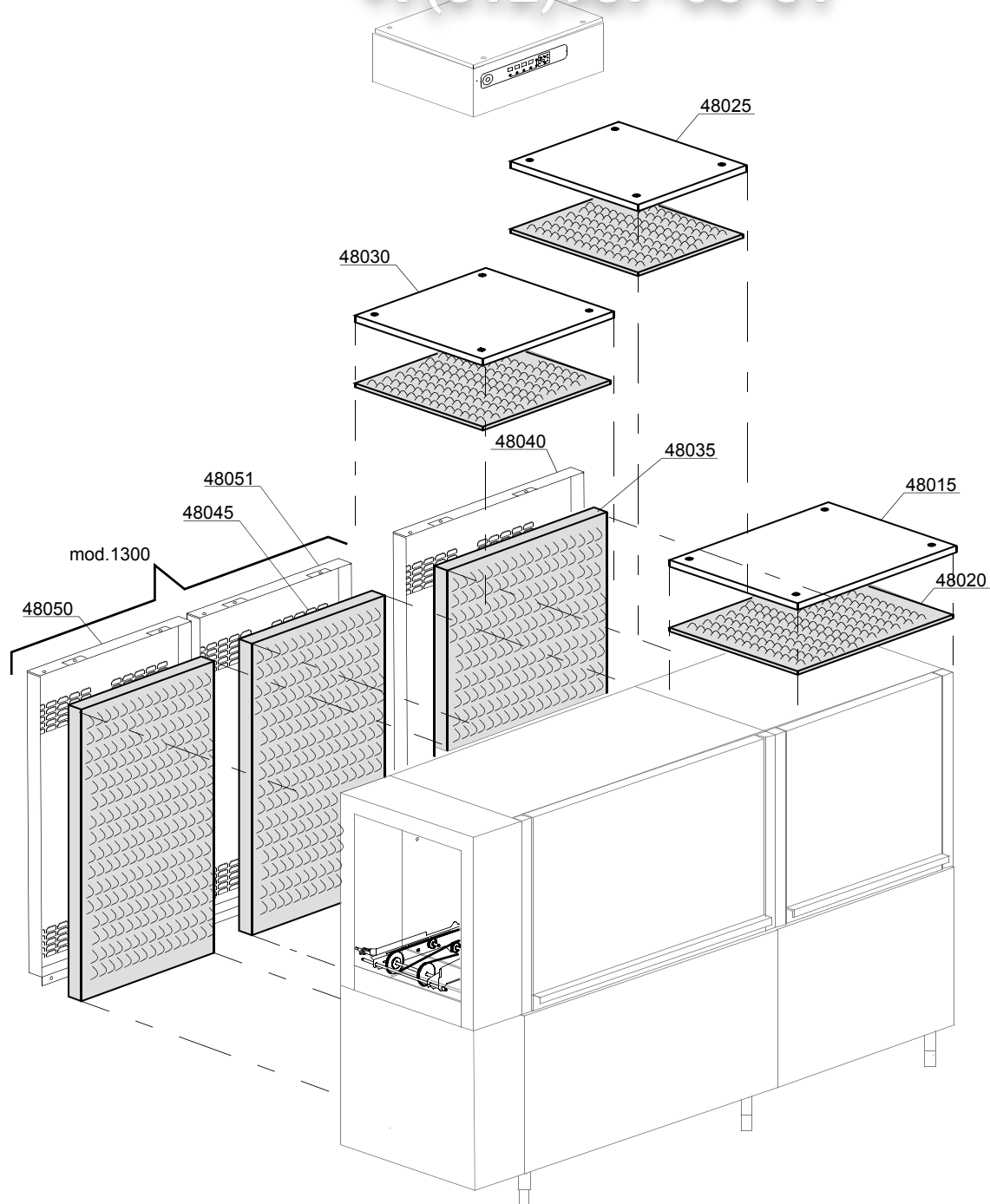
87=87

hr=HEAT RECOVERY - TR98, hp=HEAT PUMP - TR99, sc9=STEAM CONDENSER - LC 91, csa=CONVEYOR SPEED ADJUSTING - LC 101, d9=DRYER - LC 90, cw=ADDITIONAL BOILER FOR COLD WATER SUPPLY, dvgw=DVGW VALVE SYSTEM, szc8=SPLASH ZONE WITH CILINDER - LC 84, ti=TANK INSULATION, ds=DOUBLE SKIN, bp=BOOSTER PUMP, sdn3=DISPENSER SYSTEM SDN-3

A=3/N/PE~380-400V 50-60Hz, D=3/PE~200-210V 50-60Hz, F=2/PE~220-240V 50-60Hz, G=3/N/PE~415V 50-60Hz, H=3/PE~220-230V 50-60Hz, K=3/PE~380-400V 50-60Hz, L=3/PE~415V 50-60Hz, M=3/PE~440V 60Hz, P=1/N/PE~220-230V 50-60Hz, R=2/PE~220-240V 50-60Hz, U=1/N/PE~240V 50-60Hz, V=3/PE~240V 50-60Hz, W=1/N/PE~100-110V 50-60Hz

vsezip.ru

+7(812)987-08-81



37\_018\_e



| ID                         | P-code  | SN from | SN to | Mod. | Acces. | Volt | Description  |
|----------------------------|---------|---------|-------|------|--------|------|--|
| <b>Module: Double skin</b> |         |         |       |      |        |      |  |
| 48015                      | 3009679 |         | -     | e,uw | ds     |      | Insulation panel (L=900mm)                                     |
| 48020                      | 3002191 |         | -     | e,uw | ds     |      | Insulating material 8mm  |
| 48025                      | 3009678 |         | -     | e,uw | ds     |      | Insulation panel (L=700mm)                                     |
| 48030                      | 3009680 |         | -     | e,uw | ds     |      | Insulation panel (L=900mm)                                     |
| 48035                      | 3003200 |         | -     | e,uw | ds     |      | Everflex Insulating material 15+20                             |
| 48040                      | 3060082 |         | -     | e,uw | ds     |      | Back panel (L=900mm)   |
| 48045                      | 3003200 |         | -     | e,uw | ds     |      | Everflex Insulating material 15+20                             |
| 48050                      | 3060082 |         | -     | e,uw | ds     |      | Back panel (L=900mm)   |
| 48051                      | 3060081 |         | -     | e,uw | ds     |      | Back panel (L=700mm)   |
|                            |         |         |       |      |        |      | N.B.: kit suppliable only together with the machine, not after |

e=ELECTRONICAL SWITCHES, uw=LOWER AND UPPER WASHER

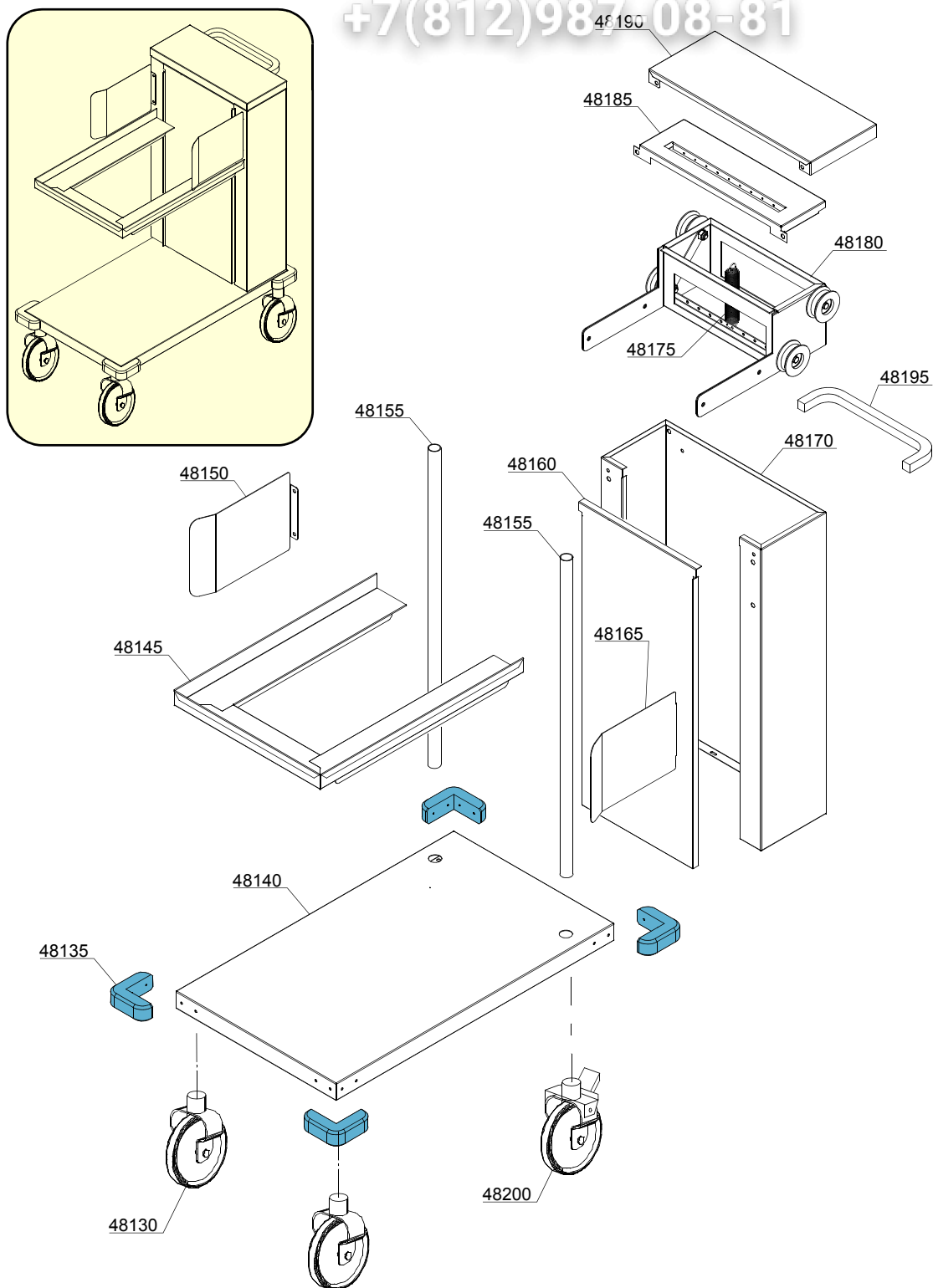
87=87

hr=HEAT RECOVERY - TR98, hp=HEAT PUMP - TR99, sc9=STEAM CONDENSER - LC 91, csa=CONVEYOR SPEED ADJUSTING - LC 101, d9=DRYER - LC 90, cw=ADDITIONAL BOILER FOR COLD WATER SUPPLY, dvgw=DVGW VALVE SYSTEM, szc8=SPLASH ZONE WITH CILINDER - LC 84, ti=TANK INSULATION, ds=DOUBLE SKIN, bp=BOOSTER PUMP, sdn3=DISPENSER SYSTEM SDN-3

A=3/N/PE~380-400V 50-60Hz, D=3/PE~200-210V 50-60Hz, F=2/PE~220-240V 50-60Hz, G=3/N/PE~415V 50-60Hz, H=3/PE~220-230V 50-60Hz, K=3/PE~380-400V 50-60Hz, L=3/PE~415V 50-60Hz, M=3/PE~440V 60Hz, P=1/N/PE~220-230V 50-60Hz, R=2/PE~220-240V 50-60Hz, U=1/N/PE~240V 50-60Hz, V=3/PE~240V 50-60Hz, W=1/N/PE~100-110V 50-60Hz

vsezip.ru

+7(812)987-08-81



37\_019\_e

vsezip.ru

| ID                               | P-code  | SN from | SN to | Mod  | Acces. | Volt | Description                  |
|----------------------------------|---------|---------|-------|------|--------|------|------------------------------|
| <b>Module:Trolley for strays</b> |         |         |       |      |        |      |                              |
| 48130                            | 3061029 |         | -     | e,uw |        |      | Front wheel trolley          |
| 48135                            | 3061031 |         | -     | e,uw |        |      | Front rubber buffer trolley  |
| 48140                            | xxxx    |         | -     | e,uw |        |      | xxxx                         |
| 48145                            | xxxx    |         | -     | e,uw |        |      | xxxx                         |
| 48150                            | xxxx    |         | -     | e,uw |        |      | xxxx                         |
| 48155                            | xxxx    |         | -     | e,uw |        |      | xxxx                         |
| 48160                            | xxxx    |         | -     | e,uw |        |      | xxxx                         |
| 48165                            | xxxx    |         | -     | e,uw |        |      | xxxx                         |
| 48170                            | xxxx    |         | -     | e,uw |        |      | xxxx                         |
| 48175                            | 3061051 |         | -     | e,uw |        |      | Springs                      |
| 48180                            | xxxx    |         | -     | e,uw |        |      | xxxx                         |
| 48185                            | xxxx    |         | -     | e,uw |        |      | xxxx                         |
| 48190                            | xxxx    |         | -     | e,uw |        |      | xxxx                         |
| 48195                            | 22215   |         | -     | e,uw |        |      | Handle trolley               |
| 48200                            | 3061030 |         | -     | e,uw |        |      | Rear wheel trolley with lock |

e=ELECTRONICAL SWITCHES, uw=LOWER AND UPPER WASHER

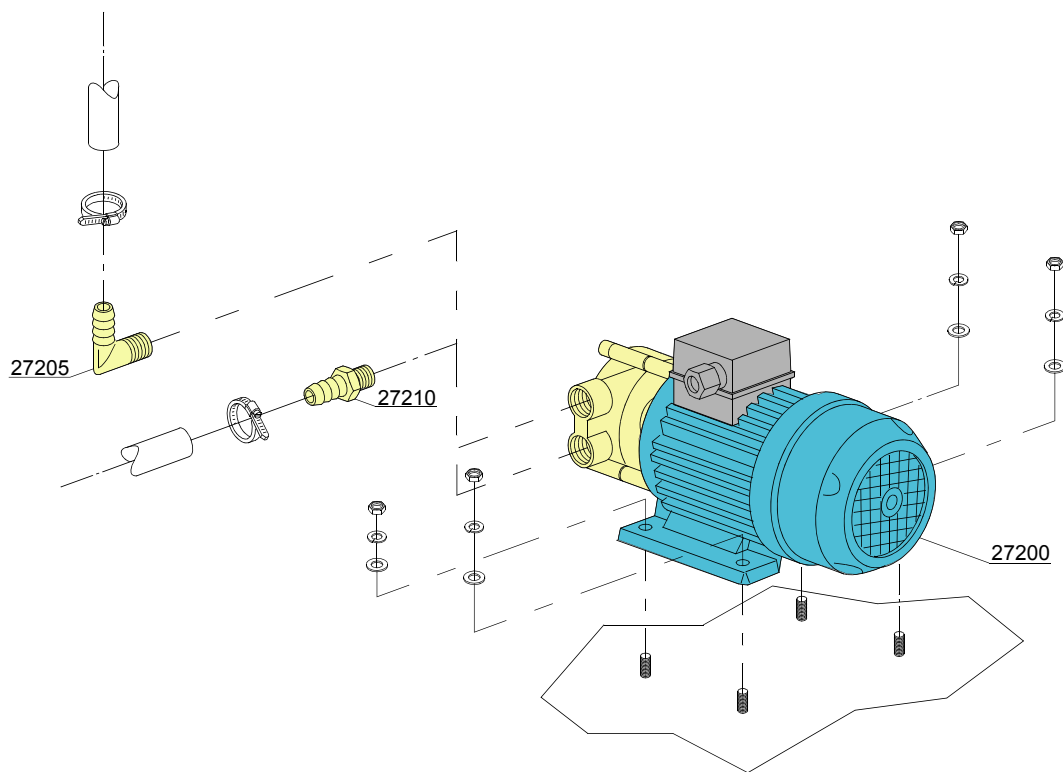
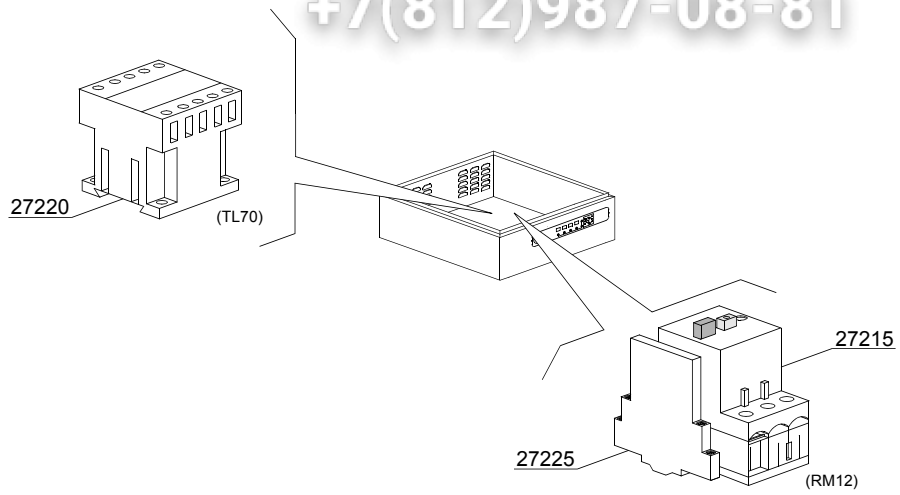
87=87

hr=HEAT RECOVERY - TR98, hp=HEAT PUMP - TR99, sc9=STEAM CONDENSER - LC 91, csa=CONVEYOR SPEED ADJUSTING - LC 101, d9=DRYER - LC 90, cw=ADDITIONAL BOILER FOR COLD WATER SUPPLY, dvgw=DVGW VALVE SYSTEM, szc8=SPLASH ZONE WITH CILINDER - LC 84, ti=TANK INSULATION, ds=DOUBLE SKIN, bp=BOOSTER PUMP, sdn3=DISPENSER SYSTEM SDN-3

A=3/N/PE~380-400V 50-60Hz, D=3/PE~200-210V 50-60Hz, F=2/PE~220-240V 50-60Hz, G=3/N/PE~415V 50-60Hz, H=3/PE~220-230V 50-60Hz, K=3/PE~380-400V 50-60Hz, L=3/PE~415V 50-60Hz, M=3/PE~440V 60Hz, P=1/N/PE~220-230V 50-60Hz, R=2/PE~220-240V 50-60Hz, U=1/N/PE~240V 50-60Hz, V=3/PE~240V 50-60Hz, W=1/N/PE~100-110V 50-60Hz

vsezip.ru

+7(812)987-08-81



38\_001\_e

vsezip.ru

| ID                         | P-code   | SN from | SN to | Mod | Acces. | Volt | Description             |
|----------------------------|----------|---------|-------|-----|--------|------|-------------------------|
| <b>Module:Booster pump</b> |          |         |       |     |        |      |                         |
| 27200                      | 15100    |         | -     |     | bp     |      | Booster pump            |
| 27205                      | 12030    |         | -     |     | bp     |      | Elbow pipe fitting      |
| 27210                      | 10221311 |         | -     |     | bp     |      | Pipe fitting            |
| 27215                      | 2000394  |         | -     |     | bp     |      | Motorprotector 2,5-4A   |
| 27220                      | 2000370  |         | -     |     | bp     |      | Contactora MC9          |
| 27225                      | 3006080  |         | -     |     | bp     |      | Auxiliary contact LMS25 |

e=ELECTRONICAL SWITCHES, uw=LOWER AND UPPER WASHER

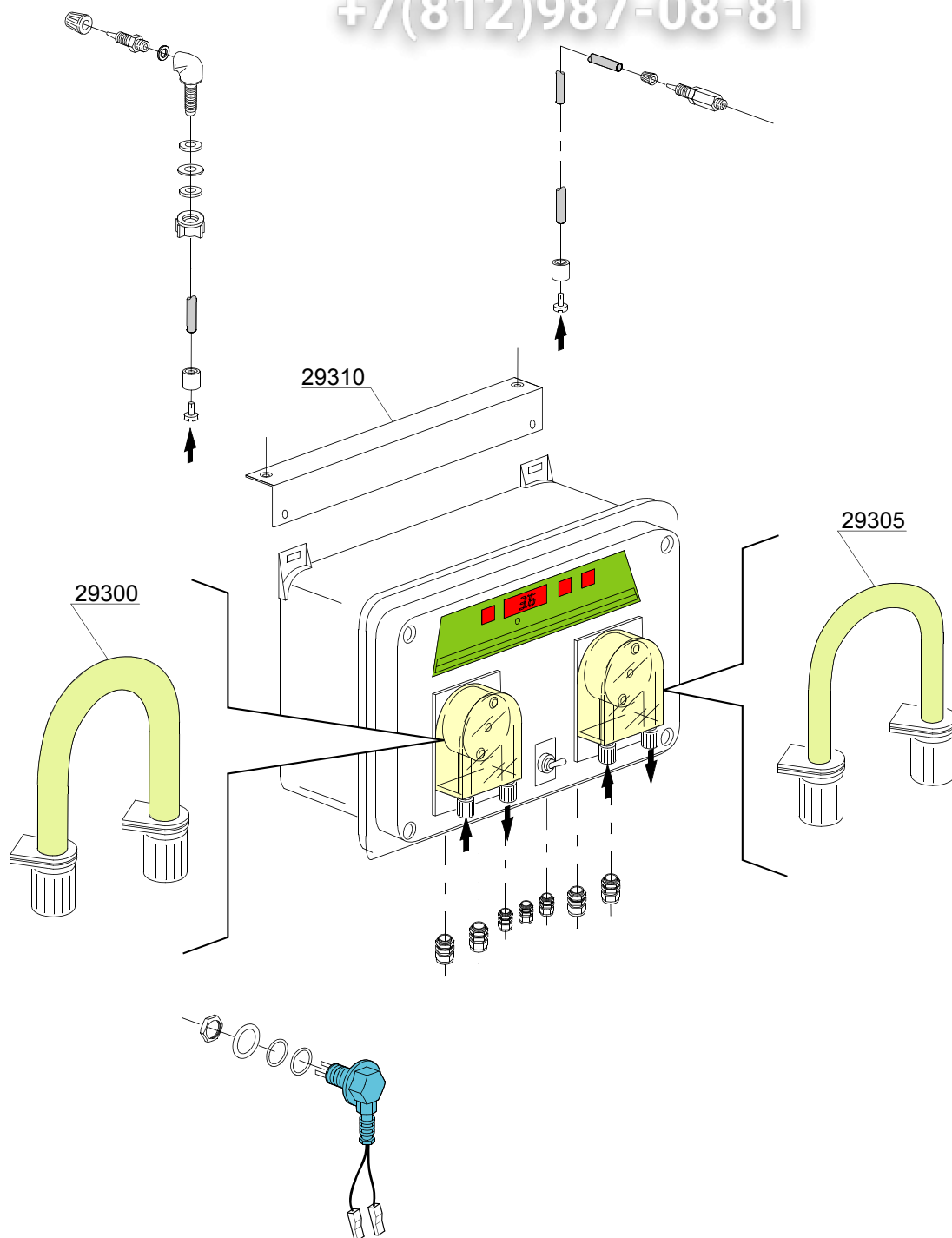
87=87

hr=HEAT RECOVERY - TR98, hp=HEAT PUMP - TR99, sc9=STEAM CONDENSER - LC 91, csa=CONVEYOR SPEED ADJUSTING - LC 101, d9=DRYER - LC 90, cw=ADDITIONAL BOILER FOR COLD WATER SUPPLY, dvgw=DVGW VALVE SYSTEM, szc8=SPLASH ZONE WITH CILINDER - LC 84, ti=TANK INSULATION, ds=DOUBLE SKIN, bp=BOOSTER PUMP, sdn3=DISPENSER SYSTEM SDN-3

A=3/N/PE~380-400V 50-60Hz, D=3/PE~200-210V 50-60Hz, F=2/PE~220-240V 50-60Hz, G=3/N/PE~415V 50-60Hz, H=3/PE~220-230V 50-60Hz, K=3/PE~380-400V 50-60Hz, L=3/PE~415V 50-60Hz, M=3/PE~440V 60Hz, P=1/N/PE~220-230V 50-60Hz, R=2/PE~220-240V 50-60Hz, U=1/N/PE~240V 50-60Hz, V=3/PE~240V 50-60Hz, W=1/N/PE~100-110V 50-60Hz

vsezip.ru

+7(812)987-08-81



39\_001\_e

| ID                             | P-code  | SN from | SN to | Mod | Acces. | Volt | Description                          |
|--------------------------------|---------|---------|-------|-----|--------|------|--------------------------------------|
| <b>Module:Dispensers SDN-3</b> |         |         |       |     |        |      |                                      |
|                                | 15181/A |         | -     |     | sdn3   |      | Dispensers assembly SDN-3            |
| 29300                          | 15185   |         | -     |     | sdn3   |      | Pipe fitting for detergent dispenser |
| 29305                          | 15186   |         | -     |     | sdn3   |      | Pipe fitting for rinse dispenser     |
| 29310                          | 3009669 |         | -     |     | sdn3   |      | Dispensers assembly SDN-3 support    |

e=ELECTRONICAL SWITCHES, uw=LOWER AND UPPER WASHER

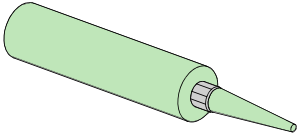
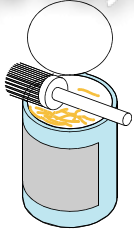
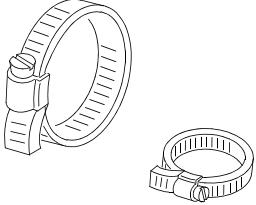
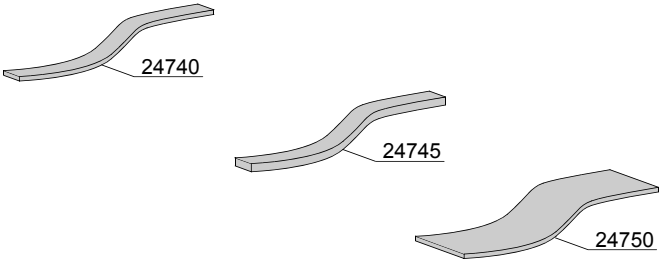
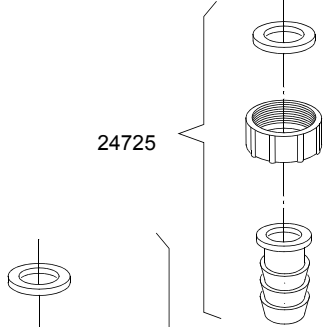
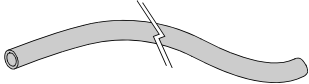
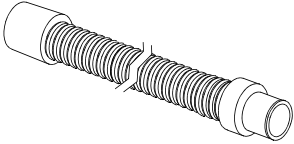
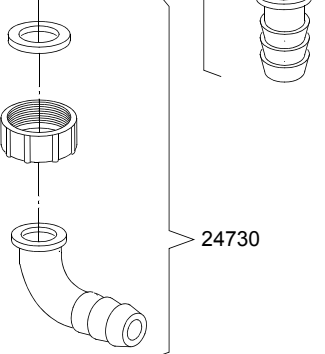
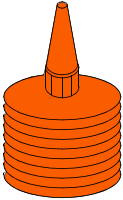
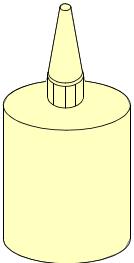
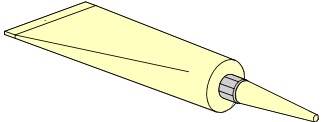
87=87

hr=HEAT RECOVERY - TR98, hp=HEAT PUMP - TR99, sc9=STEAM CONDENSER - LC 91, csa=CONVEYOR SPEED ADJUSTING - LC 101, d9=DRYER - LC 90, cw=ADDITIONAL BOILER FOR COLD WATER SUPPLY, dvgw=DVGW VALVE SYSTEM, szc8=SPLASH ZONE WITH CILINDER - LC 84, ti=TANK INSULATION, ds=DOUBLE SKIN, bp=BOOSTER PUMP, sdn3=DISPENSER SYSTEM SDN-3

A=3/N/PE~380-400V 50-60Hz, D=3/PE~200-210V 50-60Hz, F=2/PE~220-240V 50-60Hz, G=3/N/PE~415V 50-60Hz, H=3/PE~220-230V 50-60Hz, K=3/PE~380-400V 50-60Hz, L=3/PE~415V 50-60Hz, M=3/PE~440V 60Hz, P=1/N/PE~220-230V 50-60Hz, R=2/PE~220-240V 50-60Hz, U=1/N/PE~240V 50-60Hz, V=3/PE~240V 50-60Hz, W=1/N/PE~100-110V 50-60Hz

vsezip.ru

+7(812)987-08-81

|  |  |   |
|--|--|---|
|  <p>24700</p>                           |  <p>24705</p>   |  <p>24760</p>  |
|  <p>24740</p> <p>24745</p> <p>24750</p> |  |  <p>24725</p> |
|  <p>24755</p>                         |  <p>24735</p> |  <p>24730</p> |
|  <p>24765</p>                         |  <p>24770</p> |  <p>24775</p> |



| ID                       | P-code   | SN from | SN to | Mod | Acces | Volt | Description                                     |
|--------------------------|----------|---------|-------|-----|-------|------|---|
| <b>Module: Accessory</b> |          |         |       |     |       |      |   |
| 24700                    | ---      |         | -     |     |       |      | Silicone UNI 9610 - UNI 9611                    |
| 24705                    | ---      |         | -     |     |       |      | Grease for high temperatures CCIAA 629224       |
| 24705                    | ---      |         | -     |     |       |      | Grease for food - Loctite 8104 Cat. N° 26560    |
| 24725                    | 15613/A  |         | -     |     |       |      | Fitting exauster                                |
| 24730                    | 15613    |         | -     |     |       |      | 1" 1/4x30 nylon elbow                           |
| 24735                    | 10727    |         | -     |     |       |      | Exauster pipe Ø 24mm                            |
| 24735                    | 10200112 |         | -     |     |       |      | Exauster pipe Ø 32mm                            |
| 24740                    | 15750    |         | -     |     |       |      | 20x2 self-stick mousse                          |
| 24745                    | 15751    |         | -     |     |       |      | 20x4 self-stick mousse                          |
| 24750                    | 15752    |         | -     |     |       |      | 60x2 self-stick mousse                          |
| 24755                    | 2907350  |         | -     |     |       |      | Flexible pipe EPDM Ø12                          |
| 24755                    | 2907352  |         | -     |     |       |      | Flexible pipe EPDM Ø12 - WRAS                   |
| 24755                    | 2907353  |         | -     |     |       |      | Flexible pipe EPDM Ø12                          |
| 24760                    | 11807    |         | -     |     |       |      | Steel hose clamp 15/24                          |
| 24760                    | 11806    |         | -     |     |       |      | Steel hose clamp 25/40                          |
| 24760                    | 11810    |         | -     |     |       |      | Steel hose clamp 40/60                          |
| 24760                    | 11824    |         | -     |     |       |      | Steel hose clamp 50/70                          |
| 24760                    | 2902491  |         | -     |     |       |      | Steel hose clamp 60/80                          |
| 24765                    | ---      |         | -     |     |       |      | -50°C +150°C threads dope                       |
| 24770                    | ---      |         | -     |     |       |      | Loctite 542 Cat.N° 54246 - DIN-DVGW 86.02 e 125 |
| 24770                    | ---      |         | -     |     |       |      | Loctite 243 Cat.N° 18937 - 19386                |
| 24775                    | ---      |         | -     |     |       |      | Loctite 511 Cat.N° 24003 - DIN-DVGW 86.01 e 125 |
| 24775                    | ---      |         | -     |     |       |      | Loctite 577 Cat.N° 25392                        |

e=ELECTRONICAL SWITCHES, uw=LOWER AND UPPER WASHER

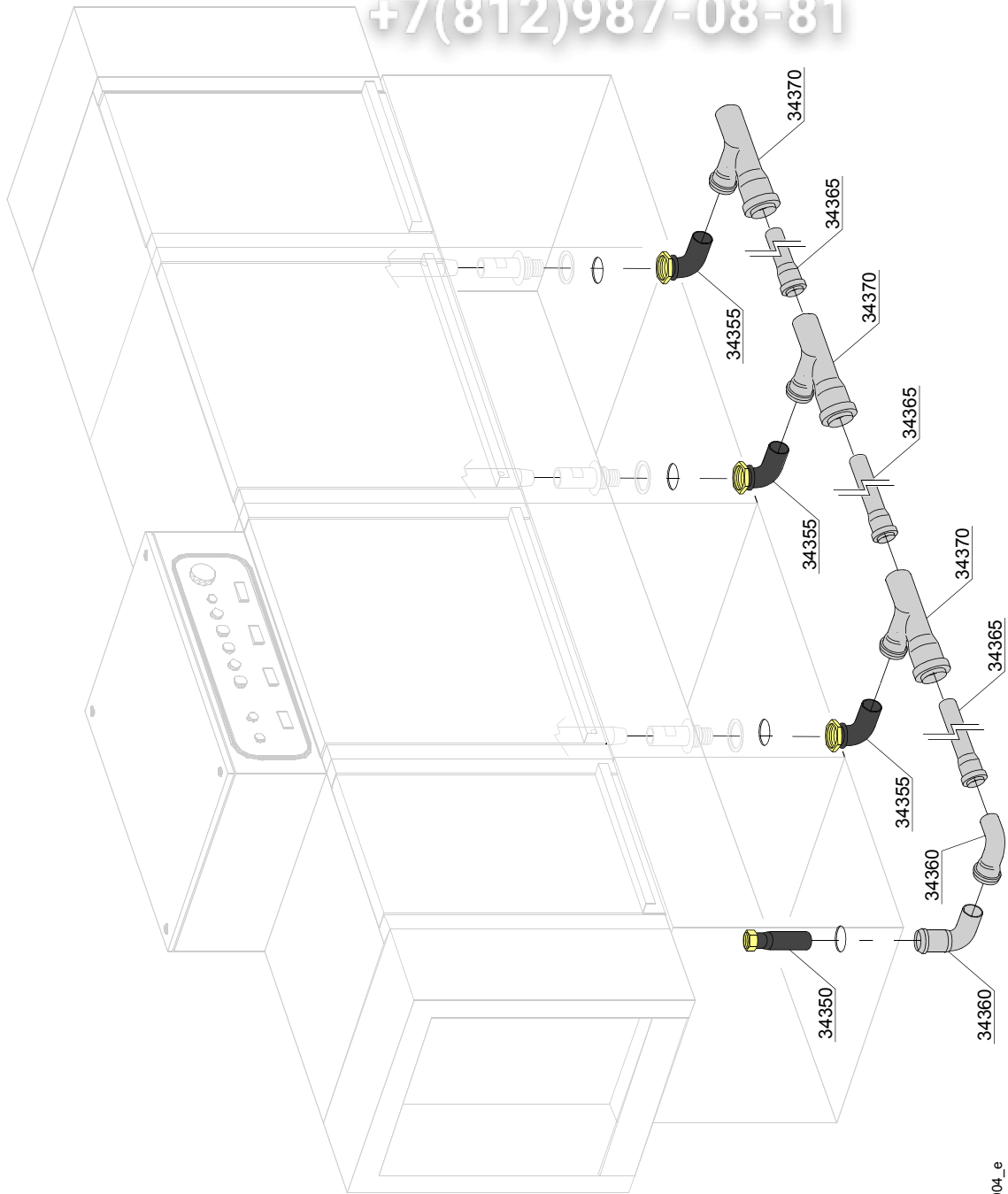
87=87

hr=HEAT RECOVERY - TR98, hp=HEAT PUMP - TR99, sc9=STEAM CONDENSER - LC 91, csa=CONVEYOR SPEED ADJUSTING - LC 101, d9=DRYER - LC 90, cw=ADDITIONAL BOILER FOR COLD WATER SUPPLY, dvgw=DVGW VALVE SYSTEM, szc8=SPLASH ZONE WITH CILINDER - LC 84, ti=TANK INSULATION, ds=DOUBLE SKIN, bp=BOOSTER PUMP, sdn3=DISPENSER SYSTEM SDN-3

A=3/N/PE~380-400V 50-60Hz, D=3/PE~200-210V 50-60Hz, F=2/PE~220-240V 50-60Hz, G=3/N/PE~415V 50-60Hz, H=3/PE~220-230V 50-60Hz, K=3/PE~380-400V 50-60Hz, L=3/PE~415V 50-60Hz, M=3/PE~440V 60Hz, P=1/N/PE~220-230V 50-60Hz, R=2/PE~220-240V 50-60Hz, U=1/N/PE~240V 50-60Hz, V=3/PE~240V 50-60Hz, W=1/N/PE~100-110V 50-60Hz

vsezip.ru

+7(812)987-08-81



00\_004\_e

vsezip.ru

| ID   | P-code  | SN from | SN to | Mod | Acces. | Volt | Description                             |
|--|---------|---------|-------|-----|--------|------|---|
| <b>Module: Centralized drainage components</b> |         |         |       |     |        |      |   |
| 34350  | 3060173 |         | -     |     |        |      | Straight pipe+brass nut dia Ø40 x 1/1"4 |
| 34355  | 3060174 |         | -     |     |        |      | Bend pipe + brass nut dia Ø40 x 1"1/4   |
| 34360  | 3060248 |         | -     |     |        |      | 90° P.P Curve HTB Ø40                   |
| 34365  | 3060172 |         | -     |     |        |      | P.P Tube HTDM 40/2                      |
| 34370  | 3060176 |         | -     |     |        |      | "T" Pipe fitting PP-FF-M Ø40            |

e=ELECTRONICAL SWITCHES, uw=LOWER AND UPPER WASHER

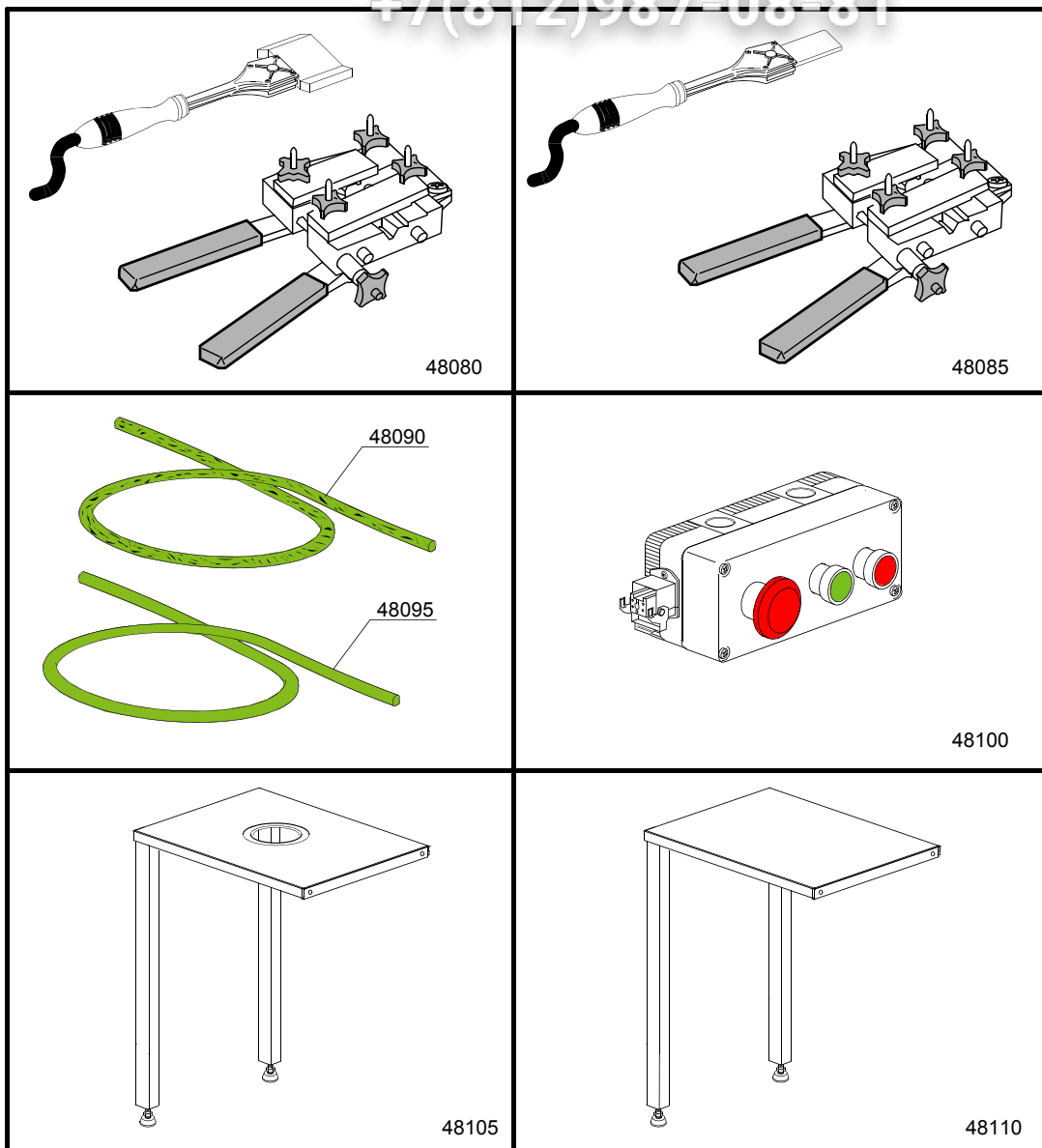
87=87

hr=HEAT RECOVERY - TR98, hp=HEAT PUMP - TR99, sc9=STEAM CONDENSER - LC 91, csa=CONVEYOR SPEED ADJUSTING - LC 101, d9=DRYER - LC 90, cw=ADDITIONAL BOILER FOR COLD WATER SUPPLY, dvgw=DVGW VALVE SYSTEM, szc8=SPLASH ZONE WITH CILINDER - LC 84, ti=TANK INSULATION, ds=DOUBLE SKIN, bp=BOOSTER PUMP, sdn3=DISPENSER SYSTEM SDN-3

A=3/N/PE~380-400V 50-60Hz, D=3/PE~200-210V 50-60Hz, F=2/PE~220-240V 50-60Hz, G=3/N/PE~415V 50-60Hz, H=3/PE~220-230V 50-60Hz, K=3/PE~380-400V 50-60Hz, L=3/PE~415V 50-60Hz, M=3/PE~440V 60Hz, P=1/N/PE~220-230V 50-60Hz, R=2/PE~220-240V 50-60Hz, U=1/N/PE~240V 50-60Hz, V=3/PE~240V 50-60Hz, W=1/N/PE~100-110V 50-60Hz

vsezip.ru

+7(812)987-08-81



00\_005\_e

vsezip.ru

| ID                      | P-code    | SN from | SN to | Mod. | Acces. | Volt | Description                                   |
|-------------------------|-----------|---------|-------|------|--------|------|---|
| <b>Module:Optionals</b> |           |         |       |      |        |      |   |
| 48080                   | 3061050   |         | -     |      |        |      | Welder+cord stretcher for reinforced cord     |
| 48085                   | 3061049   |         | -     |      |        |      | Welder+cord stretcher for non reinforced cord |
| 48090                   | 3061001   |         | -     |      |        |      | Reinforced cord Ø 15                          |
| 48095                   | 3061000   |         | -     |      |        |      | Non reinforced cord Ø 15                      |
| 48100                   | 999920208 |         | -     |      |        |      | Additional start-stop emergency               |
| 48105                   | 999920214 |         | -     |      |        |      | Grading table with hole                       |
| 48110                   | 999920214 |         | -     |      |        |      | Grading table without hole                    |

e=ELECTRONICAL SWITCHES, uw=LOWER AND UPPER WASHER

87=87

hr=HEAT RECOVERY - TR98, hp=HEAT PUMP - TR99, sc9=STEAM CONDENSER - LC 91, csa=CONVEYOR SPEED ADJUSTING - LC 101, d9=DRYER - LC 90, cw=ADDITIONAL BOILER FOR COLD WATER SUPPLY, dvgw=DVGW VALVE SYSTEM, szc8=SPLASH ZONE WITH CILINDER - LC 84, ti=TANK INSULATION, ds=DOUBLE SKIN, bp=BOOSTER PUMP, sdn3=DISPENSER SYSTEM SDN-3

A=3/N/PE~380-400V 50-60Hz, D=3/PE~200-210V 50-60Hz, F=2/PE~220-240V 50-60Hz, G=3/N/PE~415V 50-60Hz, H=3/PE~220-230V 50-60Hz, K=3/PE~380-400V 50-60Hz, L=3/PE~415V 50-60Hz, M=3/PE~440V 60Hz, P=1/N/PE~220-230V 50-60Hz, R=2/PE~220-240V 50-60Hz, U=1/N/PE~240V 50-60Hz, V=3/PE~240V 50-60Hz, W=1/N/PE~100-110V 50-60Hz