

Зип Общепит

vsezip.ru

+7(812)987-08-81

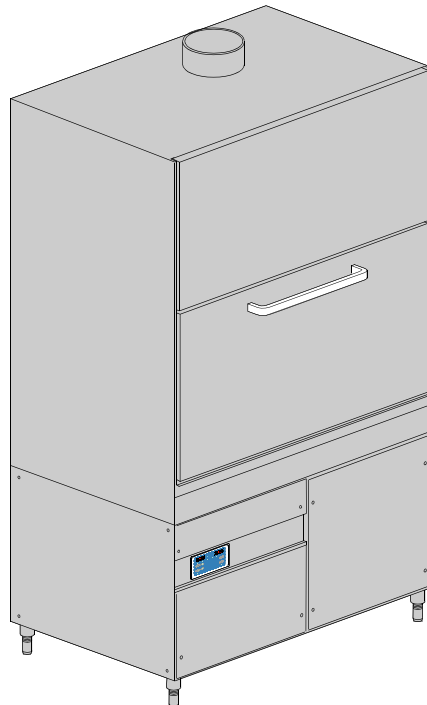
WAREWASHER

ELECTRONICAL SWITCHES
SIMPLE BODY VERSION
LOWER AND UPPER VERSION

TYPE: 35ER

Accessories
BOOSTER PUMP
DVGW
DETERGENT DISPENSER
DRAIN PUMP

Spare Parts Manual



INFORMAZIONI GENERALI

Questo catalogo serve per richiedere con esattezza le parti di ricambio

Nelle ordinazioni indicare:

- 1) il numero dei codici dei particolari seguito dalla descrizione e la quantità desiderata;
- 2) Il codice alfa-numerico presente nella seconda colonna della tabella ;

I disegni delle parti di ricambio sono solo indicativi e non rappresentano il pezzo in oggetto.

I dati contenuti in questo catalogo sono indicativi e possono essere soggetti a modifiche senza impegno di preavviso.

ALLGEMEINE INFORMATIONEN

Dieser Ersatzteilkatalog dient zur genauen Angabe der Teile bei Ersatzteilbestellungen.

Bei Ersatzbestellung ist folgendes anzugeben:

- 1) Die Bestellnummer der Ersatzteile mit der entsprechenden Beschreibung genaue Menge;
- 2) Der alpha-numerischer Code auf der zweiten Reihe in dein Sculd;

Die Zeichnungen der Ersatzteile sind nur als Hinweise gedacht und stellen nicht das betroffene Teil dar.

Bei den im Katalog angeführten Daten handelt es sich um Anhaltsdaten, die jederzeit, ohne Vorankündigung, geändert werden können.

GENERAL INFORMATION

The present spare parts order exactly the right spare parts

When ordering specify:

- 1) the part's code number followed by its description and quantity needed;
- 2) The alpha-numeric code is in the second column in the chart;

Spare parts drawings are general and do not represent the part.

The contents of this catalogue are general and can undergo changes without prior notice.

INFORMACIONES GENERALES

El presente catálogo sirve para pedir con exactitud las partes de repuesto

En los pedidos se debe indicar:

- 1) el número de código de la parte y a continuación la descripción cantidad deseada;
- 2) El código alfanumerico presente en la segnada columna de la tabla;

Los diseños de las partes de recambio son solo indicativos y no representan la pieza en cuestión.

Los datos contenidos en el presente catálogo son indicativos y pueden modificarse sin aviso previo.

INFORMATIONS GENERALES

Ce catalogue permet de commander correctement les pièces détachées

Les commandes doivent être passées en indiquant:

- 1) le numero de code des pièces détachées suivi de leur description quantité désirée;
- 2) le code alphanumérique dans la deuxième colonne du tableau;

Les plans des pièces détachées sont fournis seulement à titre indicatif et ne représentent pas la pièce concernée.

Les données de ce catalogue sont citées seulement à titre indicatif et peuvent être l'objet de modifications sans avis préalable.

**ESEMPIO
EXAMPLE
EXEMPLE
BEISPIEL**

Rif.	Codici
MODULE:Particolari	
10505	540903
10510	540908
10515	15065/A
10520	540086
10525	540028

Note

Tutte le informazioni riportate si intendono aggiornate alla data di stampa. Il Produttore si riserva il diritto di apportare qualsiasi modifica richiesta dallo sviluppo evolutivo dei suddetti prodotti.

Per la sicurezza ,la garanzia, l'affidabilità ed il valore della lavastoviglie usa solo ricambi originali. **Per alcuni codici, sono richieste quantità minime d'ordine.**

Attenzione

Questo libretto è parte integrante della lavastoviglie e, in caso di passaggio di proprietà, deve essere consegnato al nuovo acquirente.

Remarque

Toutes les informations contenues dans ce manuel s'entendent mises à jour à la date d'impression. En raison du développement constant de ses produits, usine se réserve le droit d'apporter à tout instant les modifications qu'elle jugera utiles.

Pour la sécurité, la garantie, la fiabilité et la valeur de votre lavevaisselles n'utilisez que des pièces de rechange d'origine. **Pour quelque référence on demande un minimum de pièces par commande**

Attention

Ce manuel doit être considéré comme partie intégrante de la lavevaisselles, en cas de transfert de propriété, doit toujours être remis au nouveau propriétaire.

Note

The information contained herein is valid at the time of going to print. The Company reserves the right to make any changes required by the future development of the above-mentioned products.

For your safety, as well as to preserve the warranty reliability and worth of your dishwashers , use original spare parts only. **For some codes a minimum quantity for order is required.**

Warning

This manual forms an integral part of the dishwashers and - if a transfer of title occurs - must always be handed over to the new owner.

Hinweis

Die Der Hersteller behält sich das Recht vor, jegliche, durch eine Weiterentwicklung der genannten Produkte bedingte Änderungen vornehmen zu können.

Verwenden Sie für Ihre Sicherheit, die Garantie, die Zuverlässigkeit und den Wert Ihrer machine originale Ersatzteile. **Für bestimmte Code nummer werden mindesten bestellungen verlangt.**

Achtung

Diese Betriebsanleitung ist Bestandteile des machine und muss bei seinem Weiterverkauf dem neuen Besitzer ausgehändigt werden.

vsezip.ru
+7(812)987-08-81

Code 999XXYYYY **CL/Part**

Model DESCRIPTION

S/N 04012345 **Type**

400VAC3N 50HZ 8A
3500W 500W

IPX3 16A

TECHICAL SPECIFICATION

Pressione Dinamica alimentazione idrica **200-500**
 Pression dynamique arrivée d'eau
 Dynamic pressure water supply
 Dynamischer Druck assereinlauf

MADE IN ITALY

Pressione dinamica vapore saturo
 Pression dynamique vapeur saturée
 Dyanischer Druck gesättigter Dampf
 Pression Dinamica Vapor Saturado

Temperatura massima acqua in ingresso **60°C**
 Temperature max eau a l'entre
 Maximale Temperatur Wasseranschluß
 Maximum Water temperature in-feeding

Model **S/N**

CODE 999 XX YYYY

FAMIGLIA PRODOTTO
 FAMILY PRODUCT
 FAMILLE DU PRODUIT
 FAMILIA PRODUCTO
 FAMILIE DES PRODUKTES

CODICE MODELLO
 CODE MODEL
 CODE ARTICLE
 CODIGO MODELO
 KODE VON MODELL

S/N 04 012345

ANNO
 YEAR
 ANNÉE
 AN"O
 JAHR

NUMERO DI SERIE
 SERIAL NUMBER
 NUMÉRO DI SÉRIE
 NUMERO DI SERIE
 SERIENNUMMER

Spare parts

Зип Общепит

vsezip.ru

+7(812)987-08-81

vsezip.ru

+7(812)987-08-81

1. Spare parts

General body parts.....	7
Lockup system	9
Control panel and switches.....	11
Electric control components.....	13
Solenoid valve group	15
Booster pump.....	17
DVGW	19
Rinse aid dispenser group.....	21
Boiler group	23
3 ways connection	25
Wash pump	27
Dosing detergent group.....	29
Pressure switch group with air trap ...	31
Turret group with rotating arms	33
Turret group with rotating arms	35

vsezip.ru

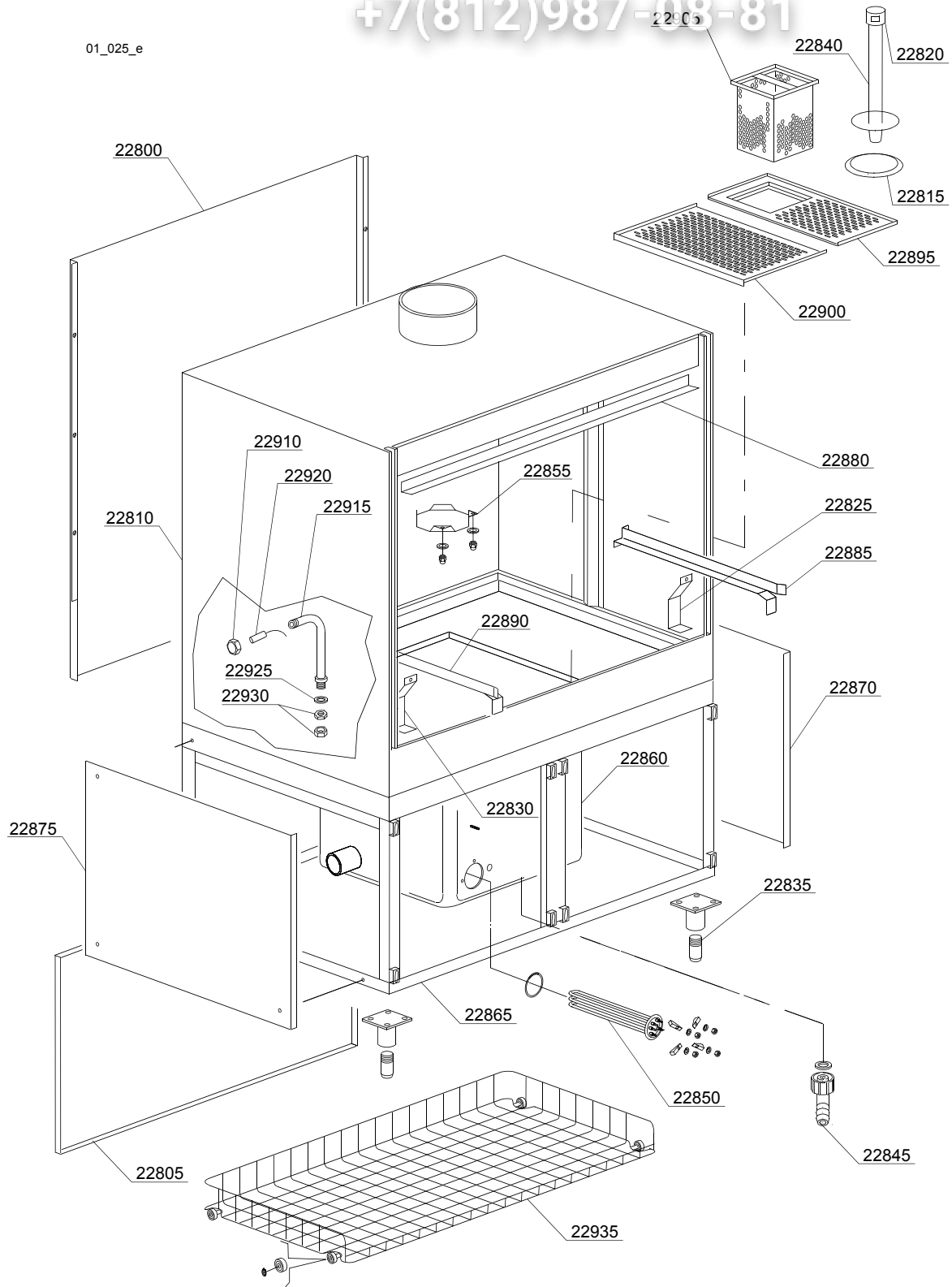
+7(812)987-08-81

1.1 Voltage codes

Volt	Voltage code
A	3/N/PE~380-400V 50-60Hz
D	3/PE~200-210V 50-60Hz
F	2/PE~220-240V 50-60Hz
G	3/N/PE~415V 50-60Hz
H	3/PE~220-230V 50-60Hz
K	3/PE~380-400V 50-60Hz
L	3/PE~415V 50-60Hz
M	3/PE~440V 60Hz
P	1/N/PE~220-230V 50-60Hz
R	2/PE~220-240V 50-60Hz
U	1/N/PE~240V 50-60Hz
V	3/PE~240V 50-60Hz
W	1/N/PE~100-110V 50-60Hz

1.2 Product codes

Product code	Full name
Model codes	
em	ELECTROMECHANICAL SWITCHES
mc	SIMPLE BODY VERSION
uw	LOWER AND UPPER VERSION
Type codes	
35ER	35ER
Accessory codes	
bp	BOOSTER PUMP
dvgw	DVGW
dd	DETERGENT DISPENSER
dp	DRAIN PUMP



ID	P-code	SN from	SN to	Mod	Acces.	Volt	Description
Module:General body parts							
22800	89909		-				Backpanel
22805	89910		-				Lower back panel
22810	89902		-				Body
22815	11600002		-				Flange O-ring
22820	11600019		-				Terminal overflow pipe
22825	80936		-				Right splash guard
22830	80937		-				Left splash guard
22835	80116		-				Foot 2" M65
22840	89933		-				Overflow pipe
22845	15613		-				Elbow 1¼"
22850	30001011		-			A,H,K,L,P,R,U,V	Heating element 9/9,8KW 230/240V 3
22855	80931		-				Chimney splash guard
22860	89903		-				Tank
22865	89904		-				Base
22870	89905		-				Right lower panel
22875	89906		-				Side panel
22880	89926		-				Upper chimney
22885	89911		-				Right rack runner bracket
22890	89912		-				Left rack runner bracket
22895	89916		-				Front filter with holes
22900	89915		-				Rear filter
22905	88302		-				Filter basket
22910	88114		-				Plug 12 mm
22915	89006		-				Sensor holder
22920	2000309		-				Sensor
22925	10200171		-				Gasket 17x25x2 (minimum 10 pieces)
22930	22214		-				Nut
22935	C118		-				Rack

e=ELECTRONICAL SWITCHES, mc=SIMPLE BODY VERSION, uw=LOWER AND UPPER VERSION

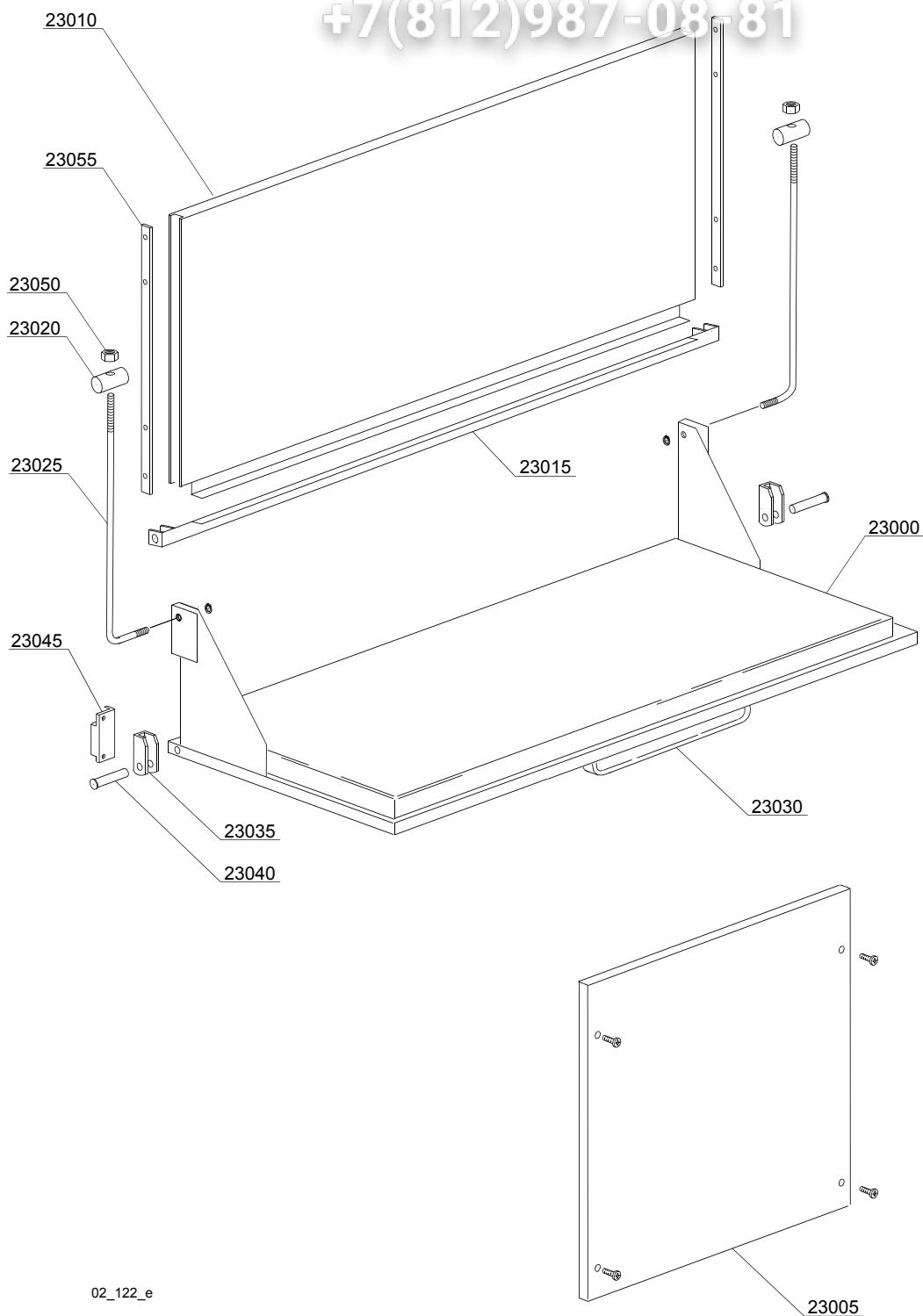
35ER=35ER

bp=BOOSTER PUMP, dvgw=DVGW, dd=DETERGENT DISPENCER, dp=DRAIN PUMP

A=3/N/PE~380-400V 50-60Hz, D=3/PE~200-210V 50-60Hz, F=2/PE~220-240V 50-60Hz, G=3/N/PE~415V 50-60Hz, H=3/PE~220-230V 50-60Hz, K=3/PE~380-400V 50-60Hz, L=3/PE~415V 50-60Hz, M=3/PE~440V 60Hz, P=1/N/PE~220-230V 50-60Hz, R=2/PE~220-240V 50-60Hz, U=1/N/PE~240V 50-60Hz, V=3/PE~240V 50-60Hz, W=1/N/PE~100-110V 50-60Hz

vsezip.ru

+7(812)987-08 81



02_122_e

vsezip.ru

ID	P-code	SN from	SN to	Mod.	Acces.	Volt	Description
Module: Lockup system							
23000	89901		-				Lower door
23005	89907		-				Right under-door panel
23010	89900		-				Upper door
23015	89922		-				Levers support
23020	22219		-				Pin
23025	22220		-				Door rod
23030	80750		-				Handle
23035	22206/B		-				Door hinge
23040	22220/A		-				Pin for door
23045	80232		-				Door magnet
23050	11721		-				Nut (minnum 10 pieces)
23055	80700		-				Door guide

e=ELECTRONICAL SWITCHES, mc=SIMPLE BODY VERSION, uw=LOWER AND UPPER VERSION

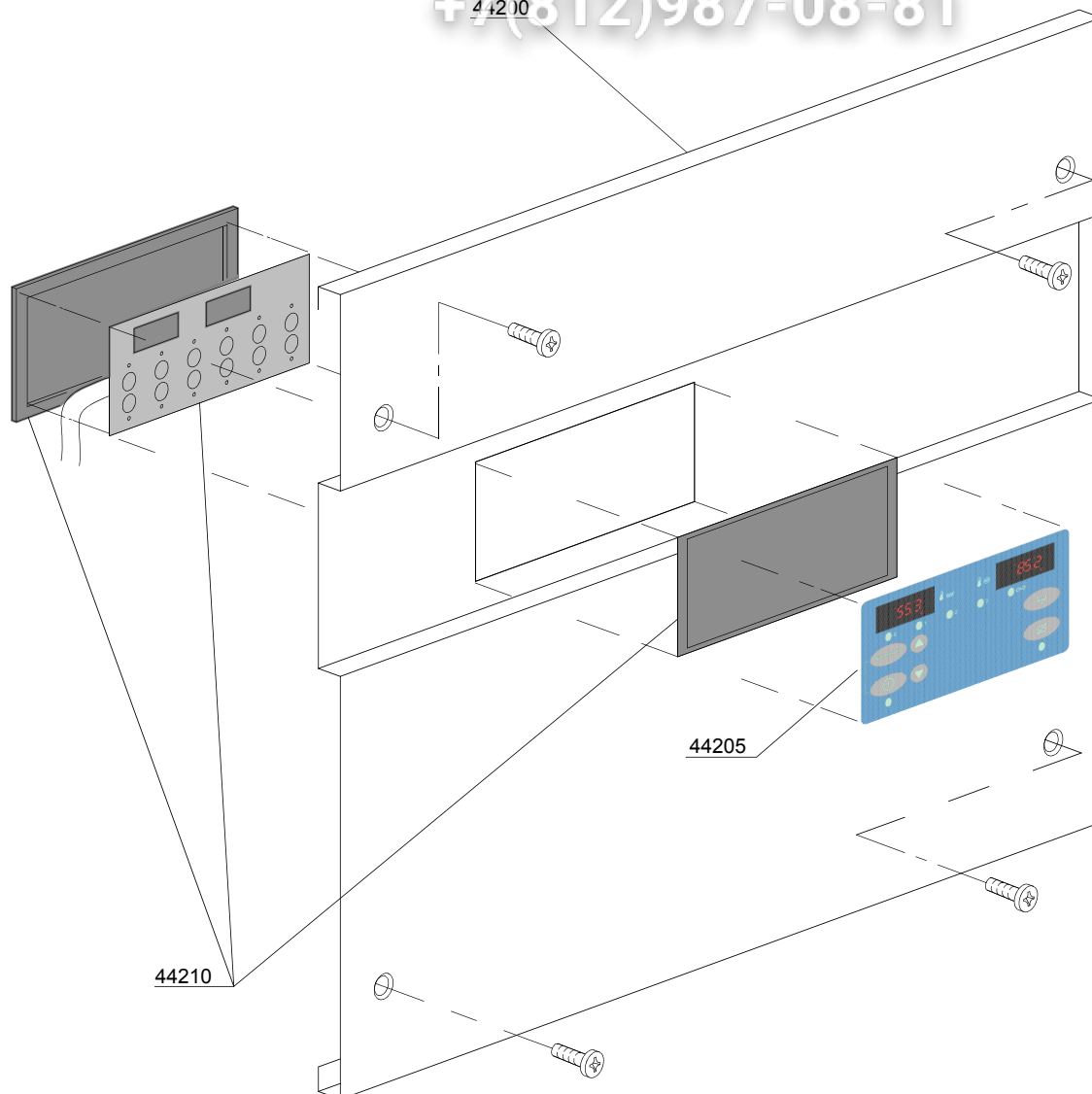
35ER=35ER

bp=BOOSTER PUMP, dvgw=DVGW, dd=DETERGENT DISPENCER, dp=DRAIN PUMP

A=3/N/PE~380-400V 50-60Hz, D=3/PE~200-210V 50-60Hz, F=2/PE~220-240V 50-60Hz, G=3/N/PE~415V 50-60Hz, H=3/PE~220-230V 50-60Hz, K=3/PE~380-400V 50-60Hz, L=3/PE~415V 50-60Hz, M=3/PE~440V 60Hz, P=1/N/PE~220-230V 50-60Hz, R=2/PE~220-240V 50-60Hz, U=1/N/PE~240V 50-60Hz, V=3/PE~240V 50-60Hz, W=1/N/PE~100-110V 50-60Hz

vsezip.ru

+7(812)987-08-81



03_050_e

ID	P-code	SN from	SN to	Mod	Acces.	Volt	Description
Module: Control panel and switches							
44200	89937		-	e,mc			Stainless steel control panel
44205	50571		-	e,mc			Silkscreen processed grill membrane push button-driven dp+ws
44205	50575		-	e,mc			Neutral Silkscreen processed grill membrane push button-driven dp+ws
44210	50570/A		-	e,mc			Complete membrane push button-driver L=1500

e=ELECTRONICAL SWITCHES, mc=SIMPLE BODY VERSION, uw=LOWER AND UPPER VERSION

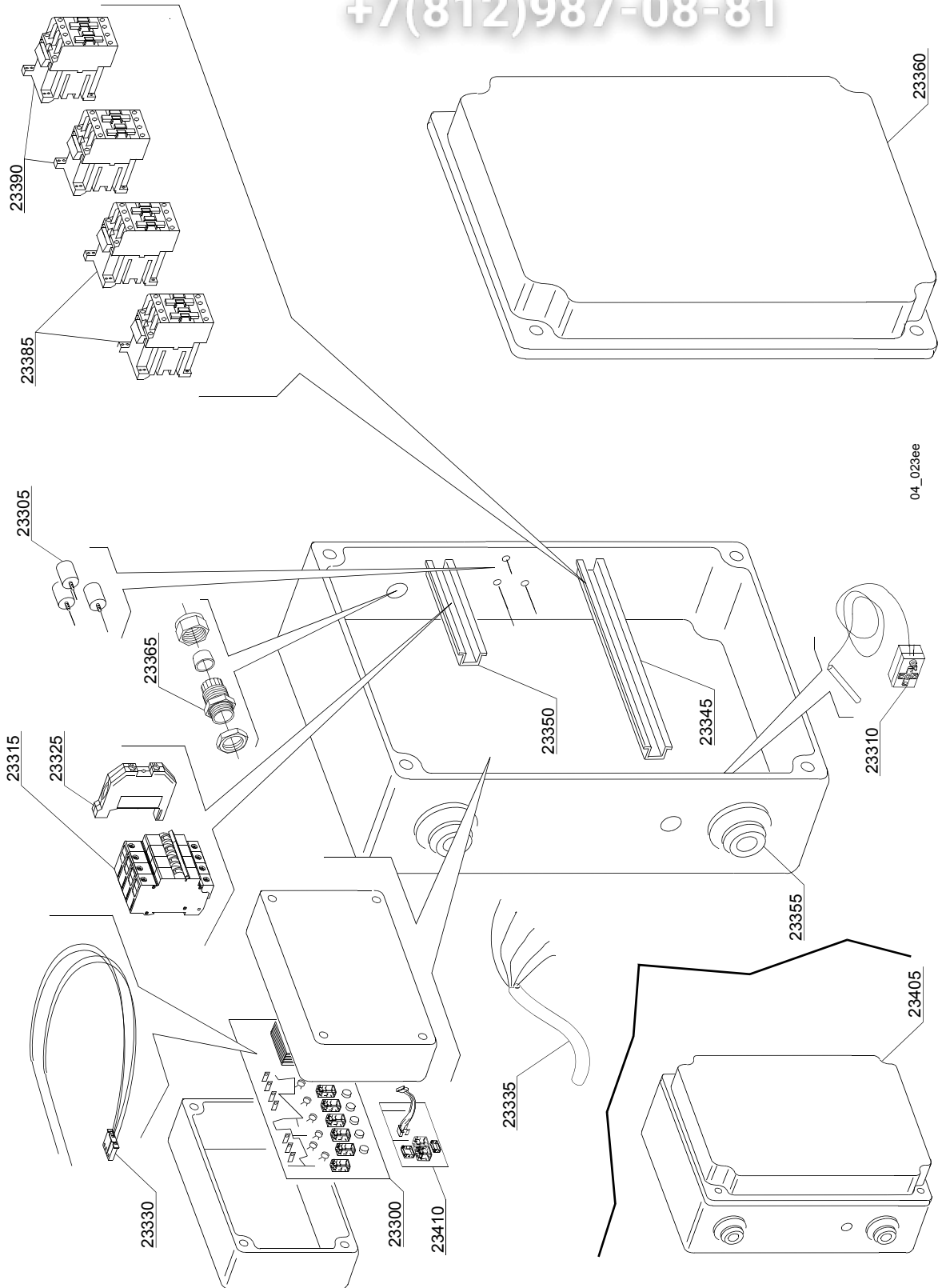
35ER=35ER

bp=BOOSTER PUMP, dvgw=DVGW, dd=DETERGENT DISPENCER, dp=DRAIN PUMP

A=3/N/PE~380-400V 50-60Hz, D=3/PE~200-210V 50-60Hz, F=2/PE~220-240V 50-60Hz, G=3/N/PE~415V 50-60Hz, H=3/PE~220-230V 50-60Hz, K=3/PE~380-400V 50-60Hz, L=3/PE~415V 50-60Hz, M=3/PE~440V 60Hz, P=1/N/PE~220-230V 50-60Hz, R=2/PE~220-240V 50-60Hz, U=1/N/PE~240V 50-60Hz, V=3/PE~240V 50-60Hz, W=1/N/PE~100-110V 50-60Hz

vsezip.ru

+7(812)987-08-81



ID	P-code	SN from	SN to	Mod.	Acces	Volt	Description
Module: Electric control components							
23300	50569		-	mc		A,H,K,P	Timer
23305	15149		-	mc		A,H,K,P	Filter F3
23310	2000430		-	mc		A,H,K,P	Thermostat
23315	2000411		-	mc			Automatic fuse C32
23325	10300401		-	mc			6/8mm ² yellow/green terminal
23330	50562		-	mc			Sensor
23335	80200		-	mc		A,G	Power supply cable 5x4x3400
23345	80408		-	mc			L=345mm slide
23350	80409		-	mc			L=140mm slide
23355	80417		-	mc			Lead through rubber
23360	80407		-	mc			Plastic box
23365	80414		-	mc			Cable-press
23370	15086		-	mc			Contacteur 230 V
23385	10300050		-	mc		A,F,H,K, P,R	Contacteur 25A/12A 4NA 230V
23390	10300054		-	mc		A,F,H,K, P,R	Contacteur 25A/16A 4NA 230V
23405	89100/A		-	mc		A	400Vac 3N complet electric box
23410	50559		-	mc			Electronic Timer optional+On-Board EXP-PS

e=ELECTRONICAL SWITCHES, mc=SIMPLE BODY VERSION, uw=LOWER AND UPPER VERSION

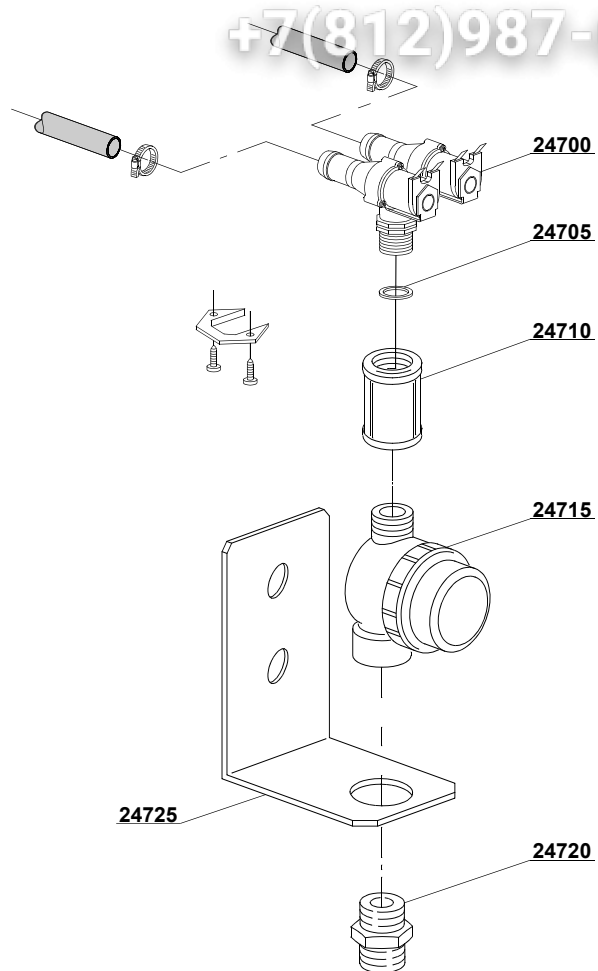
35ER=35ER

bp=BOOSTER PUMP, dvgw=DVGW, dd=DETERGENT DISPENCER, dp=DRAIN PUMP

A=3/N/PE~380-400V 50-60Hz, D=3/PE~200-210V 50-60Hz, F=2/PE~220-240V 50-60Hz, G=3/N/PE~415V 50-60Hz, H=3/PE~220-230V 50-60Hz, K=3/PE~380-400V 50-60Hz, L=3/PE~415V 50-60Hz, M=3/PE~440V 60Hz, P=1/N/PE~220-230V 50-60Hz, R=2/PE~220-240V 50-60Hz, U=1/N/PE~240V 50-60Hz, V=3/PE~240V 50-60Hz, W=1/N/PE~100-110V 50-60Hz

vsezip.ru

+7(812)987-08-81



05_006_e

vsezip.ru

ID	P-code	SN from	SN to	Mod.	Acces.	Volt	Description
Module:Solenoid valve group							
24700	30001001		-				Solenoid valve
24705	N.C.		-				Pression reducing valve
24710	80275		-				Pipe coupling
24715	2000121		-				Filter
24720	12025		-				Coupling
24725	22236		-				Support

e=ELECTRONICAL SWITCHES, mc=SIMPLE BODY VERSION, uw=LOWER AND UPPER VERSION

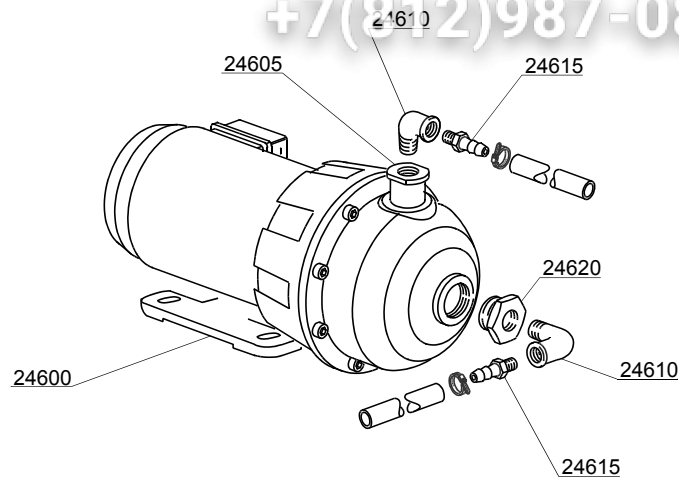
35ER=35ER

bp=BOOSTER PUMP, dvgw=DVGW, dd=DETERGENT DISPENCER, dp=DRAIN PUMP

A=3/N/PE~380-400V 50-60Hz, D=3/PE~200-210V 50-60Hz, F=2/PE~220-240V 50-60Hz, G=3/N/PE~415V 50-60Hz, H=3/PE~220-230V 50-60Hz, K=3/PE~380-400V 50-60Hz, L=3/PE~415V 50-60Hz, M=3/PE~440V 60Hz, P=1/N/PE~220-230V 50-60Hz, R=2/PE~220-240V 50-60Hz, U=1/N/PE~240V 50-60Hz, V=3/PE~240V 50-60Hz, W=1/N/PE~100-110V 50-60Hz

vsezip.ru

+7(812)987-08-81



07_004_e

vsezip.ru

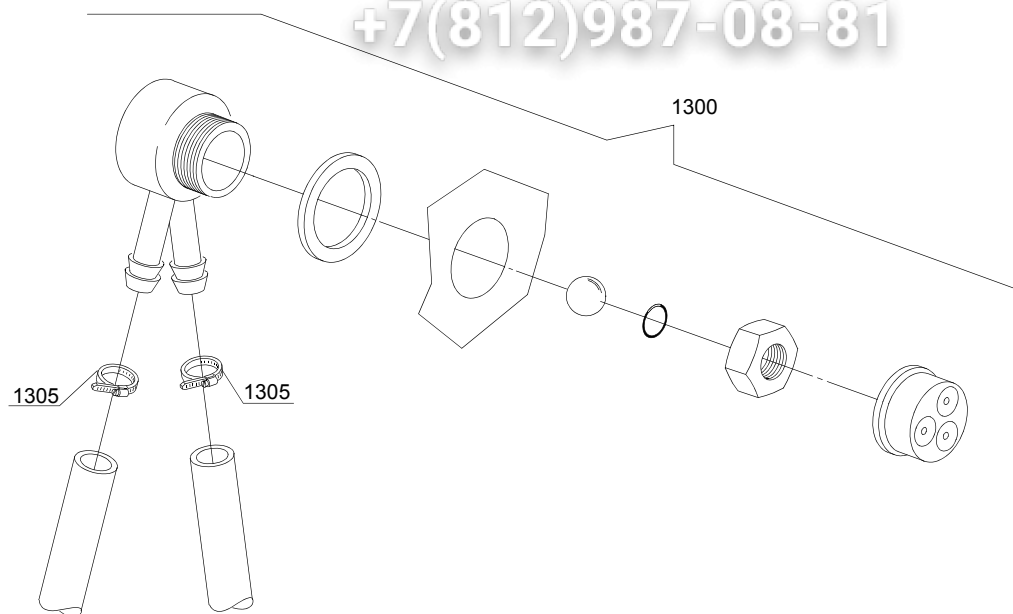
ID	P-code	SN from	SN to	Mod	Acces.	Volt	Description
Module:Booster pump							
24600	15100/L		-		bp	A,F,G,H,K,L,P,R,U,V	Pump 0,6kW 220-240V 50HZ
24605	80273		-		bp		Reduction piece
24610	12017		-		bp		Elbow fitting 3/8 M-F
24615	10221311		-		bp		Hose coupling - 12mm - 3/8"
24620	80272		-		bp		Coupling

e=ELECTRONICAL SWITCHES, mc=SIMPLE BODY VERSION, uw=LOWER AND UPPER VERSION

35ER=35ER

bp=BOOSTER PUMP, dvgw=DVGW, dd=DETERGENT DISPENCER, dp=DRAIN PUMP

A=3/N/PE~380-400V 50-60Hz, D=3/PE~200-210V 50-60Hz, F=2/PE~220-240V 50-60Hz, G=3/N/PE~415V 50-60Hz, H=3/PE~220-230V 50-60Hz, K=3/PE~380-400V 50-60Hz, L=3/PE~415V 50-60Hz, M=3/PE~440V 60Hz, P=1/N/PE~220-230V 50-60Hz, R=2/PE~220-240V 50-60Hz, U=1/N/PE~240V 50-60Hz, V=3/PE~240V 50-60Hz, W=1/N/PE~100-110V 50-60Hz



08_005_e

vsezip.ru

ID	P-code	SN from	SN to	Mod	Acces	Volt	Description
Module: DVGW							
1300	999900006		-		dvgw		DVGW assembly
1305	11807		-		dvgw		12/22 clamp (minimum 3 pieces)

e=ELECTRONICAL SWITCHES, mc=SIMPLE BODY VERSION, uw=LOWER AND UPPER VERSION
35ER=35ER

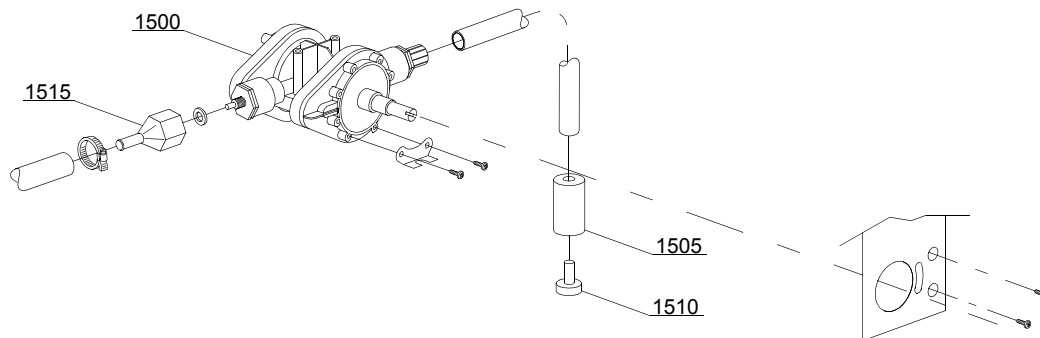
bp=BOOSTER PUMP, dvgw=DVGW, dd=DETERGENT DISPENCER, dp=DRAIN PUMP

A=3/N/PE~380-400V 50-60Hz, D=3/PE~200-210V 50-60Hz, F=2/PE~220-240V 50-60Hz, G=3/N/PE~415V 50-60Hz,
H=3/PE~220-230V 50-60Hz, K=3/PE~380-400V 50-60Hz, L=3/PE~415V 50-60Hz, M=3/PE~440V 60Hz, P=1/N/PE~220-
230V 50-60Hz, R=2/PE~220-240V 50-60Hz, U=1/N/PE~240V 50-60Hz, V=3/PE~240V 50-60Hz, W=1/N/PE~100-110V
50-60Hz

vsezip.ru

+7(812)987-08-81

10_002_e



vsezip.ru

ID	P-code	SN from	SN to	Mod.	Acces.	Volt	Description
Module: Rinse aid dispenser group							
1500	10798		-				Rinse dosing device
1505	12525		-				Counter-weight
1510	15058		-				Suction filter (minimum 3 pieces)
1515	10798/B		-				Brass pipe fitting

e=ELECTRONICAL SWITCHES, mc=SIMPLE BODY VERSION, uw=LOWER AND UPPER VERSION

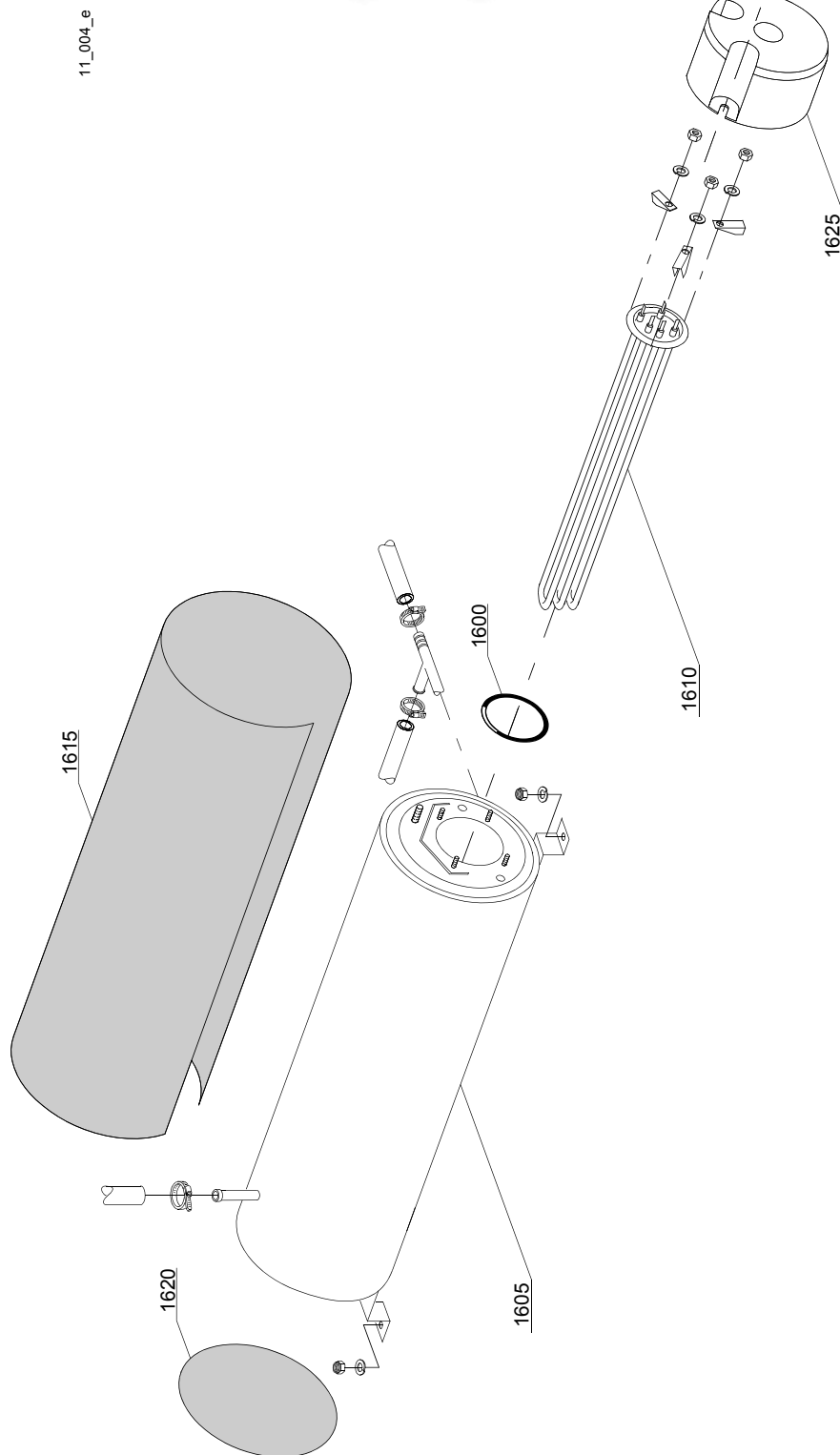
35ER=35ER

bp=BOOSTER PUMP, dvgw=DVGW, dd=DETERGENT DISPENCER, dp=DRAIN PUMP

A=3/N/PE~380-400V 50-60Hz, D=3/PE~200-210V 50-60Hz, F=2/PE~220-240V 50-60Hz, G=3/N/PE~415V 50-60Hz, H=3/PE~220-230V 50-60Hz, K=3/PE~380-400V 50-60Hz, L=3/PE~415V 50-60Hz, M=3/PE~440V 60Hz, P=1/N/PE~220-230V 50-60Hz, R=2/PE~220-240V 50-60Hz, U=1/N/PE~240V 50-60Hz, V=3/PE~240V 50-60Hz, W=1/N/PE~100-110V 50-60Hz

vsezip.ru

+7(812)987-08-81



vsezip.ru

ID	P-code	SN from	SN to	Mod	Acces.	Volt	Description
Module:Boiler group							
1600	13015		-				Gasket OR 6225 (minimum 5 pieces)
1605	89005		-				Boiler
1610	30001011		-			A,F,G,H,K,L,P,R, U,V	Heating element 9/9,8KW 230/240V 3
1615	30002030		-				Insulation boiler
1620	75205		-				Ø160 end piece (minimum 2 pieces)
1625	75311		-				Casing

e=ELECTRONICAL SWITCHES, mc=SIMPLE BODY VERSION, uw=LOWER AND UPPER VERSION

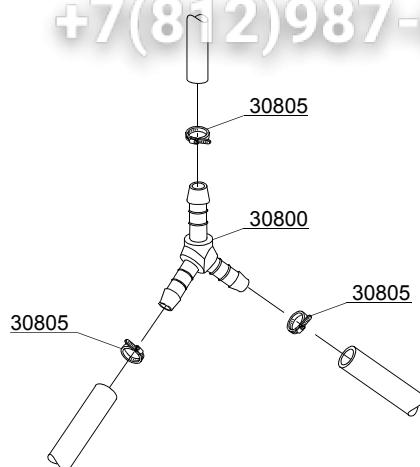
35ER=35ER

bp=BOOSTER PUMP, dvgw=DVGW, dd=DETERGENT DISPENCER, dp=DRAIN PUMP

A=3/N/PE~380-400V 50-60Hz, D=3/PE~200-210V 50-60Hz, F=2/PE~220-240V 50-60Hz, G=3/N/PE~415V 50-60Hz,
H=3/PE~220-230V 50-60Hz, K=3/PE~380-400V 50-60Hz, L=3/PE~415V 50-60Hz, M=3/PE~440V 60Hz, P=1/N/PE~220-
230V 50-60Hz, R=2/PE~220-240V 50-60Hz, U=1/N/PE~240V 50-60Hz, V=3/PE~240V 50-60Hz, W=1/N/PE~100-110V
50-60Hz

vsezip.ru

+7(812)987-08-81



12_003ae

vsezip.ru

ID	P-code	SN from	SN to	Mod.	Acces.	Volt	Description
Module:3 ways connection							
30800	540091		-				Ø12 mm plastic 3 ways connection
30805	11807		-				Clamp 12-22 (minimum 3 pieces)

e=ELECTRONICAL SWITCHES, mc=SIMPLE BODY VERSION, uw=LOWER AND UPPER VERSION

35ER=35ER

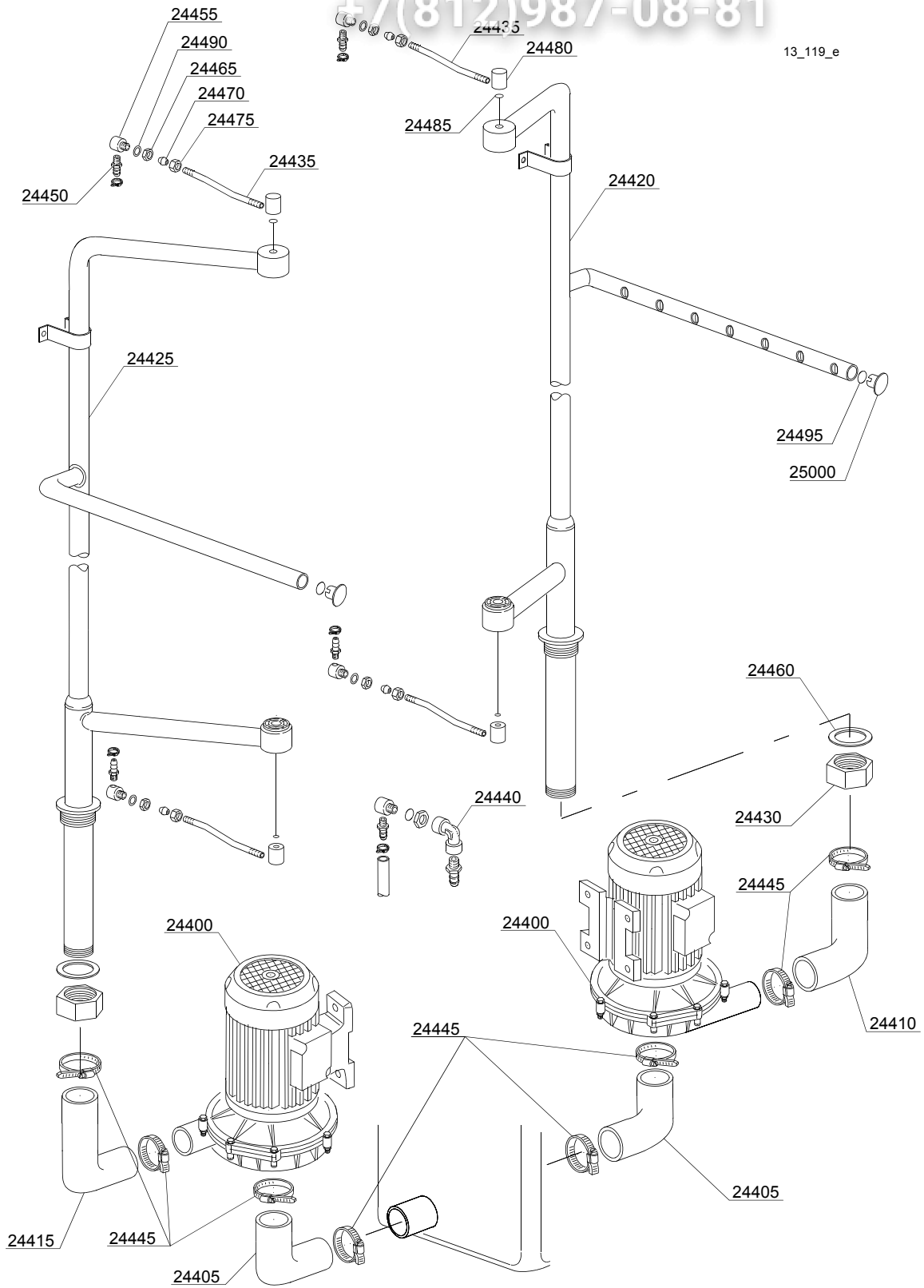
bp=BOOSTER PUMP, dvgw=DVGW, dd=DETERGENT DISPENCER, dp=DRAIN PUMP

A=3/N/PE~380-400V 50-60Hz, D=3/PE~200-210V 50-60Hz, F=2/PE~220-240V 50-60Hz, G=3/N/PE~415V 50-60Hz, H=3/PE~220-230V 50-60Hz, K=3/PE~380-400V 50-60Hz, L=3/PE~415V 50-60Hz, M=3/PE~440V 60Hz, P=1/N/PE~220-230V 50-60Hz, R=2/PE~220-240V 50-60Hz, U=1/N/PE~240V 50-60Hz, V=3/PE~240V 50-60Hz, W=1/N/PE~100-110V 50-60Hz

vsezip.ru

+7(812)987-08-81

13_119_e



ID	P-code	SN from	SN to	Mod.	Acces.	Volt	Description
Module: Wash pump							
24400	80912		-	uw		A,F,G,H,K, L,P,R,U,V	Pump 3,6HP/2,7kW 50Hz
24405	3002020		-	uw			Suction elbow
24410	10200124/A		-	uw			Pressure elbow, right
24415	550221		-	uw			Left top delivery pipe
24420	89001		-	uw			Washpipe, right
24425	89002		-	uw			Washpipe, left
24430	88127		-	uw			Ramp fixing nut
24435	89004		-	uw			Rinsing pipe
24440	12018		-	uw			Elbow fitting 3/8 F-F
24445	2902491		-	uw			60-80 clamp (minimum 2 pieces)
24450	12005		-	uw			Rubber holder ¼
24455	80231		-	uw			Pipe fitting
24460	10200173/A		-	uw			O-ring 75x58x3 (minimum 2 pieces)
24465	10200101		-	uw			Nut
24470	10200182		-	uw			Cone (minimum 3 pieces)
24475	10600016		-	uw			Nut
24480	10600202		-	uw			Coupling
24485	13009		-	uw			OR 2050 NBR O-ring (minimum 40 pieces)
24490	10200171		-	uw			Gasket 17x25x2 (minimum 10 pieces)

e=ELECTRONICAL SWITCHES, mc=SIMPLE BODY VERSION, uw=LOWER AND UPPER VERSION

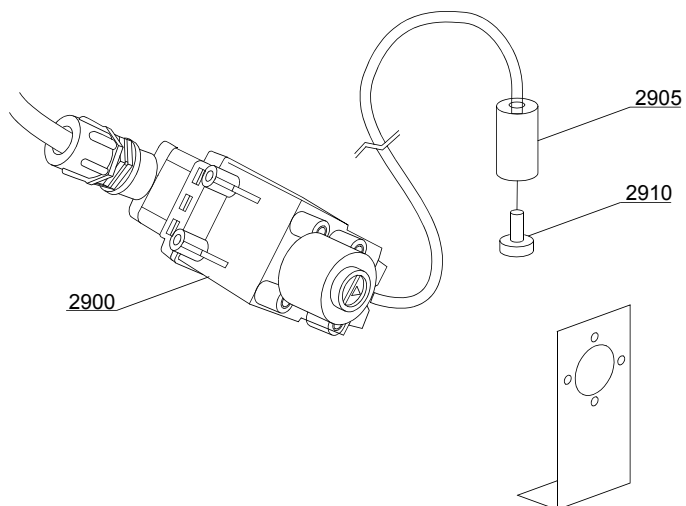
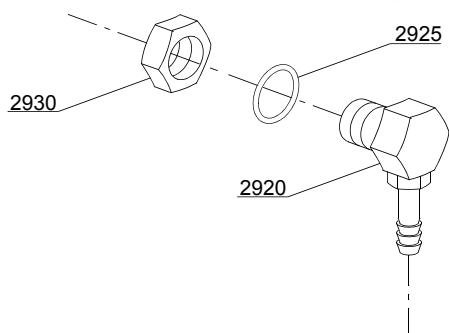
35ER=35ER

bp=BOOSTER PUMP, dvgw=DVGW, dd=DETERGENT DISPENCER, dp=DRAIN PUMP

A=3/N/PE~380-400V 50-60Hz, D=3/PE~200-210V 50-60Hz, F=2/PE~220-240V 50-60Hz, G=3/N/PE~415V 50-60Hz, H=3/PE~220-230V 50-60Hz, K=3/PE~380-400V 50-60Hz, L=3/PE~415V 50-60Hz, M=3/PE~440V 60Hz, P=1/N/PE~220-230V 50-60Hz, R=2/PE~220-240V 50-60Hz, U=1/N/PE~240V 50-60Hz, V=3/PE~240V 50-60Hz, W=1/N/PE~100-110V 50-60Hz

vsezip.ru

+7(812)987-08-81 14_002_e



ID	P-code	SN from	SN to	Mod.	Acces.	Volt	Description
Module:Dosing detergent group							
2900	15108/L		-		dd		Lang detergent pump
2905	12525		-		dd		Counter-weight
2910	15058		-		dd		Suction filter (minimum 3 pieces)
2920	15123		-		dd		Steel injector
2925	15159		-		dd		OR O-ring (minimum 2 pieces)
2930	10200205		-		dd		Nut m12x1 (minimum 2 pieces)

e=ELECTRONICAL SWITCHES, mc=SIMPLE BODY VERSION, uw=LOWER AND UPPER VERSION

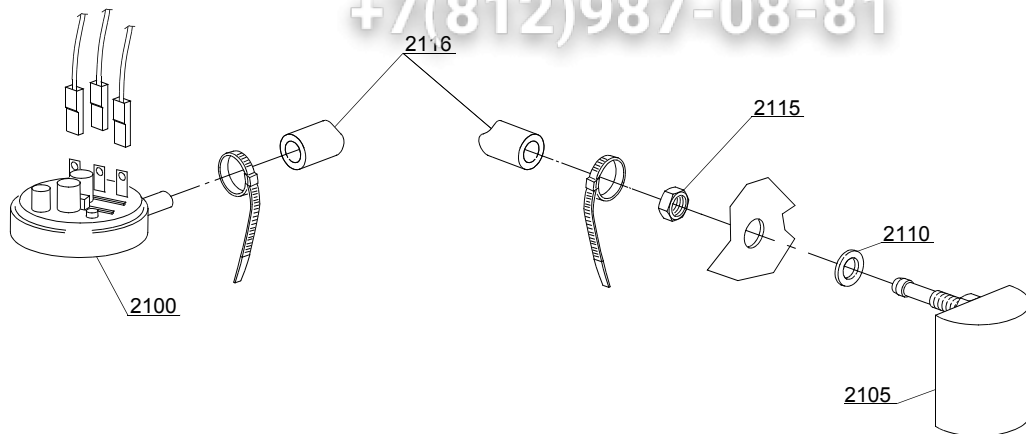
35ER=35ER

bp=BOOSTER PUMP, dvgw=DVGW, dd=DETERGENT DISPENCER, dp=DRAIN PUMP

A=3/N/PE~380-400V 50-60Hz, D=3/PE~200-210V 50-60Hz, F=2/PE~220-240V 50-60Hz, G=3/N/PE~415V 50-60Hz, H=3/PE~220-230V 50-60Hz, K=3/PE~380-400V 50-60Hz, L=3/PE~415V 50-60Hz, M=3/PE~440V 60Hz, P=1/N/PE~220-230V 50-60Hz, R=2/PE~220-240V 50-60Hz, U=1/N/PE~240V 50-60Hz, V=3/PE~240V 50-60Hz, W=1/N/PE~100-110V 50-60Hz

vsezip.ru

+7(812)987-08-81



16_001_e

vsezip.ru

ID	P-code	SN from	SN to	Mod.	Acces.	Volt	Description
Module: Pressure switch group with air trap							
2100	88110		-				Pressure switch
2105	80106		-				Air trap
2110	13301		-				Gasket 14x8x1,5 (minimum 10 pieces)
2115	11702		-				Nut M8 (minimum 10 pieces)
2116	14508		-				Pressure tube EPDM 4,5x9

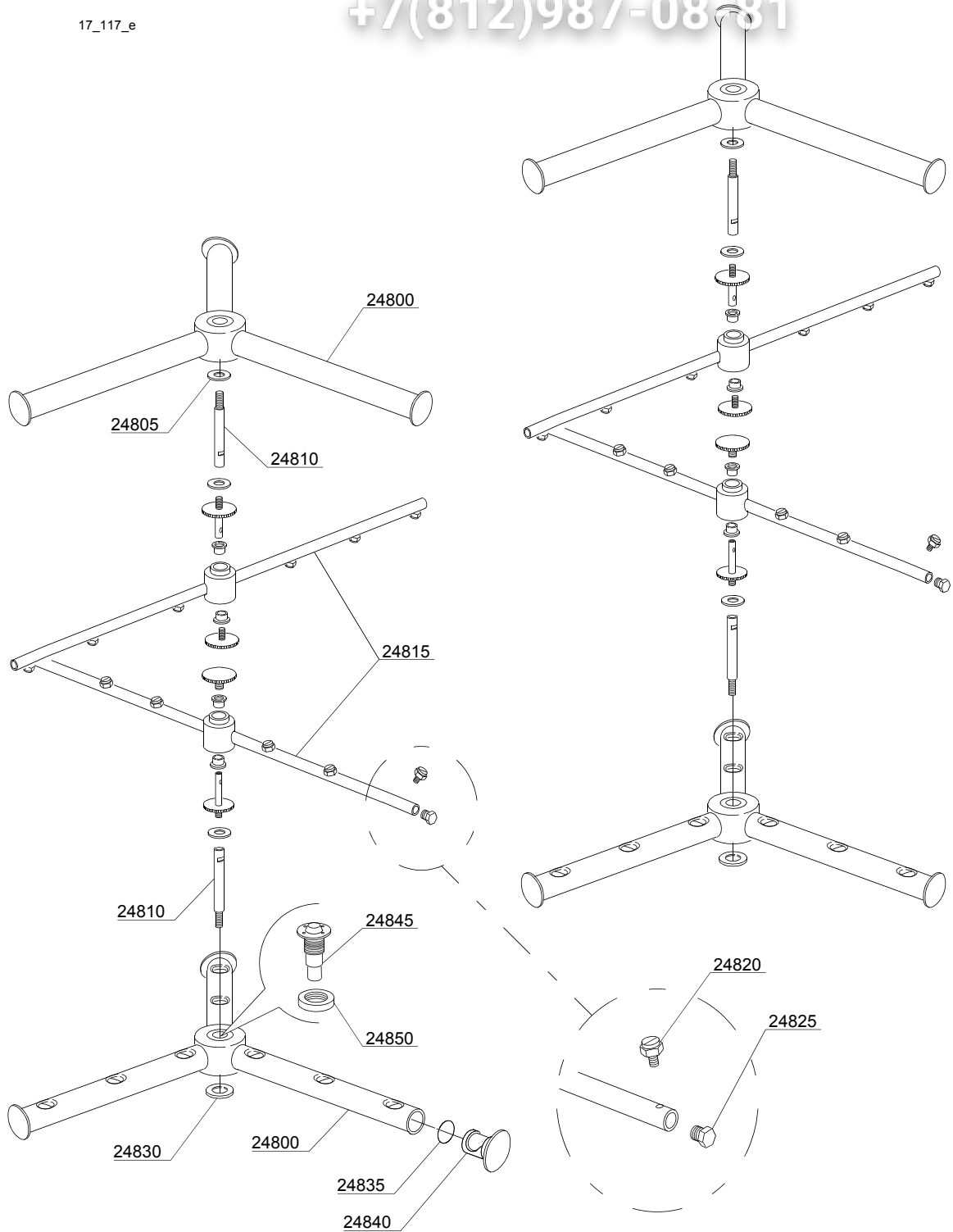
e=ELECTRONICAL SWITCHES, mc=SIMPLE BODY VERSION, uw=LOWER AND UPPER VERSION

35ER=35ER

bp=BOOSTER PUMP, dvgw=DVGW, dd=DETERGENT DISPENCER, dp=DRAIN PUMP

A=3/N/PE~380-400V 50-60Hz, D=3/PE~200-210V 50-60Hz, F=2/PE~220-240V 50-60Hz, G=3/N/PE~415V 50-60Hz, H=3/PE~220-230V 50-60Hz, K=3/PE~380-400V 50-60Hz, L=3/PE~415V 50-60Hz, M=3/PE~440V 60Hz, P=1/N/PE~220-230V 50-60Hz, R=2/PE~220-240V 50-60Hz, U=1/N/PE~240V 50-60Hz, V=3/PE~240V 50-60Hz, W=1/N/PE~100-110V 50-60Hz

17_117_e



ID	P-code	SN from	SN to	Mod.	Acces	Volt	Description
Module:Turret group with rotating arms							
24800	90004		-	uw			Upper/lower complet wash rotor
24805	13009		-	uw			OR 2050 NBR O-ring (minimum 40 pieces)
24810	80321		-	uw			Top shaft
24815	90003		-	uw			Rinse group
24820	560018		-	uw			Stainless steel rinse nozzle
24825	560017		-	uw			Rinse arm plug
24830	11600033		-	uw			Flow reduction ring
24835	13023		-	uw			OR 131 (4093) NBR O-ring (minimum 10 pieces)
24840	3003029		-	uw			Plug
24845	88975		-	uw			Hub for rotor
24850	75317		-	uw			Nut for wash arm bearing

e=ELECTRONICAL SWITCHES, mc=SIMPLE BODY VERSION, uw=LOWER AND UPPER VERSION

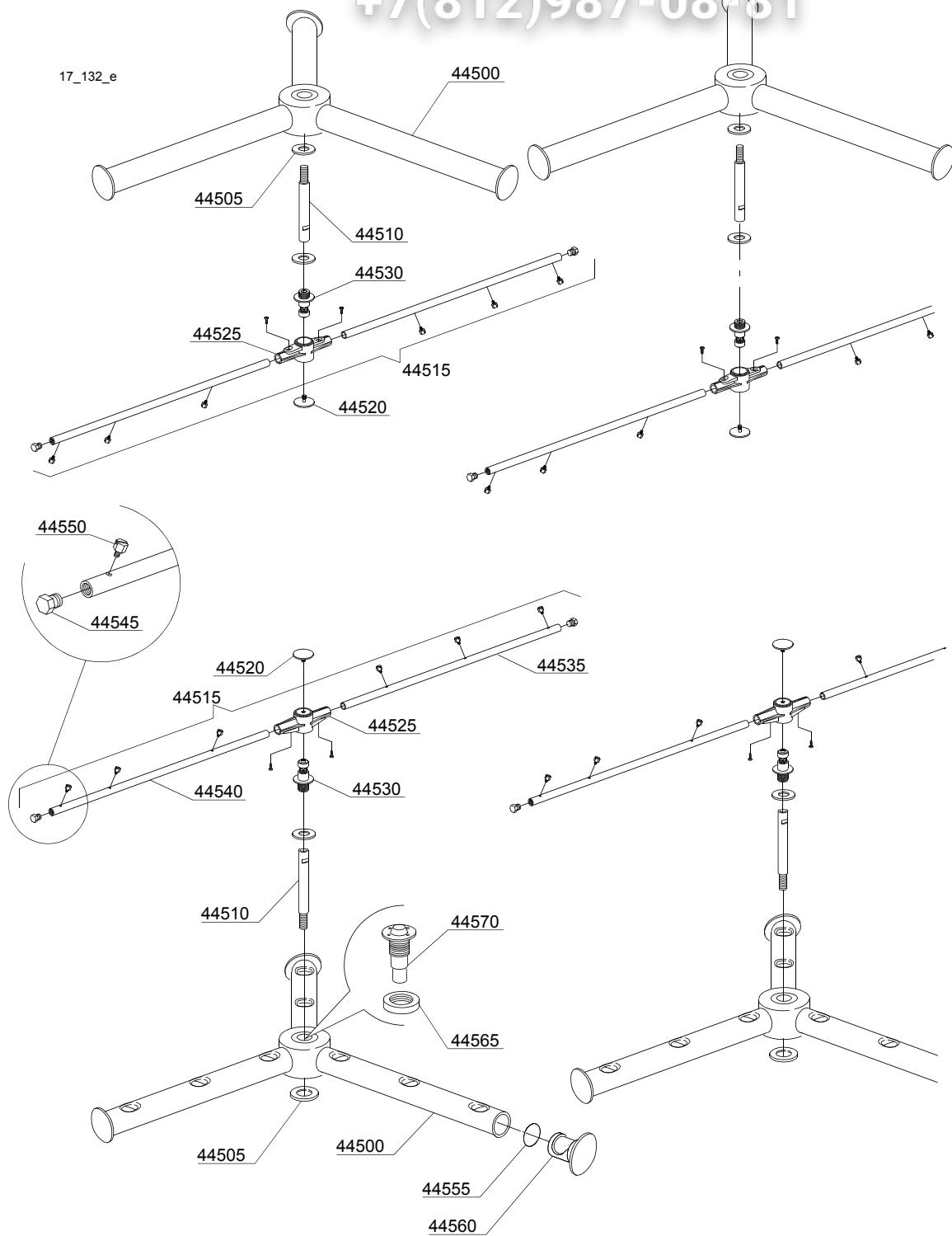
35ER=35ER

bp=BOOSTER PUMP, dvgw=DVGW, dd=DETERGENT DISPENCER, dp=DRAIN PUMP

A=3/N/PE~380-400V 50-60Hz, D=3/PE~200-210V 50-60Hz, F=2/PE~220-240V 50-60Hz, G=3/N/PE~415V 50-60Hz, H=3/PE~220-230V 50-60Hz, K=3/PE~380-400V 50-60Hz, L=3/PE~415V 50-60Hz, M=3/PE~440V 60Hz, P=1/N/PE~220-230V 50-60Hz, R=2/PE~220-240V 50-60Hz, U=1/N/PE~240V 50-60Hz, V=3/PE~240V 50-60Hz, W=1/N/PE~100-110V 50-60Hz

vsezip.ru

+7(812)987-08 81



ID	P-code	SN from	SN to	Mod.	Acces.	Volt	Description
Module:Turret group with rotating arms							
44500	90004		-	uw			Upper/lower complet wash rotor
44505	13009		-	uw			OR 2050 NBR O-ring (minimum 40 pieces)
44510	80321		-	uw			Top shaft
44515	90003		-	uw			Rinse group
44520	10652		-	uw			Rinse arm screw
44525	10650		-	uw			Rinse arm
44530	10651		-	uw			Rinse axle
44535	10659		-	uw			Right rinse arm - stainless steel nozzle
44540	10660		-	uw			Left rinse arm - stainless steel nozzle
44545	560017		-	uw			Rinse arm plug
44550	560018		-	uw			Stanless steel rinse nozzle
44555	13023		-	uw			OR 131 (4093) O-ring (minimum 10 pieces)
44560	3003029		-	uw			Plug
44565	75317		-	uw			Nut for wash arm bearing
44570	88975		-	uw			Hub for rotor

e=ELECTRONICAL SWITCHES, mc=SIMPLE BODY VERSION, uw=LOWER AND UPPER VERSION
35ER=35ER

bp=BOOSTER PUMP, dvgw=DVGW, dd=DETERGENT DISPENCER, dp=DRAIN PUMP

A=3/N/PE~380-400V 50-60Hz, D=3/PE~200-210V 50-60Hz, F=2/PE~220-240V 50-60Hz, G=3/N/PE~415V 50-60Hz,
H=3/PE~220-230V 50-60Hz, K=3/PE~380-400V 50-60Hz, L=3/PE~415V 50-60Hz, M=3/PE~440V 60Hz, P=1/N/PE~220-
230V 50-60Hz, R=2/PE~220-240V 50-60Hz, U=1/N/PE~240V 50-60Hz, V=3/PE~240V 50-60Hz, W=1/N/PE~100-110V
50-60Hz