

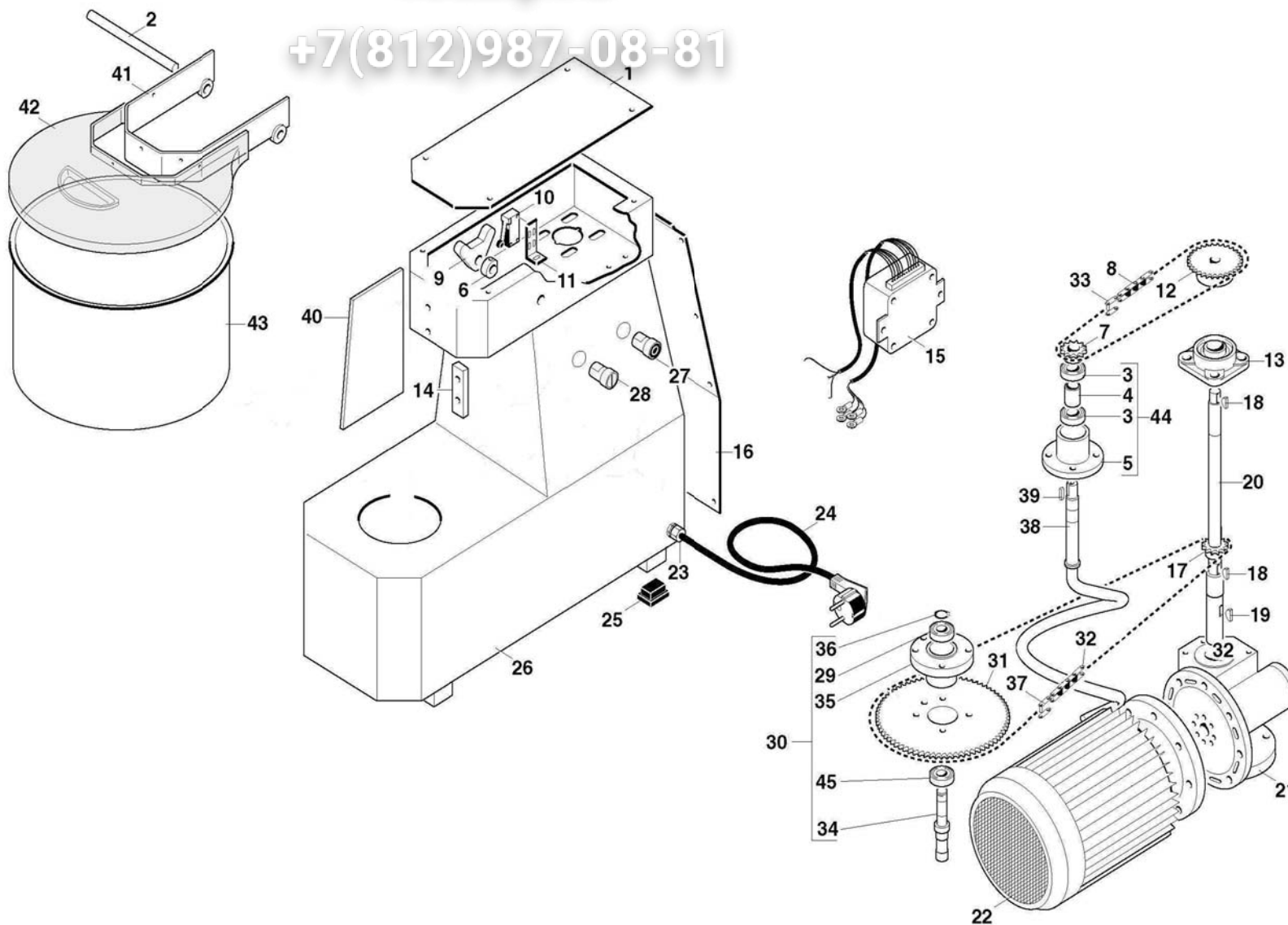
Зип Общепит

vsezip.ru

+7(812)987-08-81

Impastatrice a spirale mod.20-30L

Spiral kneader mod.20-30L



IMPASTATRICE A SPIRALE MOD. IM20-30L

SPIRAL KNEADER MOD.IM20-30L

Rif No	Codice Code	Caratteristiche Characteristics	Descrizione Description
1	SL2910	(20)	Coperchio Cover
1	SL2907	(30)	Coperchio Cover
2	SL0021	(20)	Ferr.o Pivot
2	SL0076	(30)	Ferr.o Pivot
3	SL0131	6203 2RS (20)	Cuscinetto Bearing
3	SL2592	6204 2RS (30)	Cuscinetto Bearing
4	SL0020	(20)	Distanziale Spacer
4	SL2942	(30)	Distanziale Spacer
5	SL0022	(20)	Supporto Support
5	SL2941	(30)	Supporto Support
6	SL0036		Camma Cam
7	SL0024	3/8"x7/32" Z=15 (20)	Pignone Pinion
7	SL2691	1/2"x5/16" Z=15 (30)	Pignone Pinion
8	SL2944	☉ 3/8"x7/32" (20)	Catena Chain
8	SL2943	☉ 1/2"x5/16" (30)	Catena Chain
9	SL0035		Battuta Stop
10	SL0885	☉	Microinterruttore Microswitch
11	SL0397		Staffa Bracket
12	SL0030	3/8"x7/32" Z=29 (20)	Pignone Pinion
12	SL0084	1/2"x5/16" Z=29 (30)	Pignone Pinion
13	SL0032	UCF204 (20)	Supporto Support
13	SL0086	UCF205 (30)	Supporto Support
14	SL2957	☉	Staffa Bracket
15	SL0934	☉ 400V/3Ph/50Hz	Impianto elettrico Electric installation
15	SL0935	☉ 230V/1Ph/50Hz	Impianto elettrico Electric installation
16	SL2911	(20)	Coperchio Cover
16	SL2908	(30)	Coperchio Cover
17	SL0044	8x3 Z=16 (20)	Pignone Pinion
17	SL0094	3/8"x7/32" Z=16 (30)	Pignone Pinion
18	SL0819	5x6,5 (20)	Linguetta Key
18	SL0043	6x9 (30)	Linguetta Key
19	SL0043	6x9 (7)	Linguetta Key
19	SL0047	8x11 (30)	Linguetta Key
20	SL2912	(20)	Albero Shaft
20	SL2913	(30)	Albero Shaft
21	SL1113	(20)	Riduttore Gear box
21	SL0042	(30)	Riduttore Gear box
22	SL1120	400V/3Ph/50Hz (20)	Motore Motor
22	SL1112	230V/1Ph/50Hz (20)	Motore Motor
22	SL0040	400V/3Ph/50Hz(30)	Motore Motor
22	SL0041	230V/1Ph/50Hz(30)	Motore Motor
23	SL1668	PG11	Pressacavo Cable clamp
24	SL1841	3Ph+Gnd	Cavo elettrico Electric cable
24	SL1671	1Ph+N+Gnd	Cavo elettrico Electric cable
25	SL0052	☉	Piedino Foot
26	SL2909	(20)	Base Base
26	SL2906	(30)	Base Base
27	SL0807	☉ Stop	Pulsante Push button
28	SL1049	☉ Start	Pulsante Push button
29	SL0015	6203 2RS (20)	Cuscinetto Bearing
29	SL0103	3204 (30)	Cuscinetto Bearing
30	SA1900	Assembly (20)	Supporto Support
30	SA1800	Assembly (30)	Supporto Support
31	SL0057	8x3 Z=85 (20)	Corona Crown
31	SL0100	3/8"x7/32" Z=85 (30)	Corona Crown
32	SL2946	☉ 8x3 (20)	Catena Chain
32	SL2945	☉ 3/8"x7/32" (30)	Catena Chain
33	SL1629	3/8"x7/32" (20)	Giunto Joint
33	SL1632	1/2"x5/16" (30)	Giunto Joint
34	SL0014	(20)	Albero Shaft
34	SL0072	(30)	Albero Shaft