

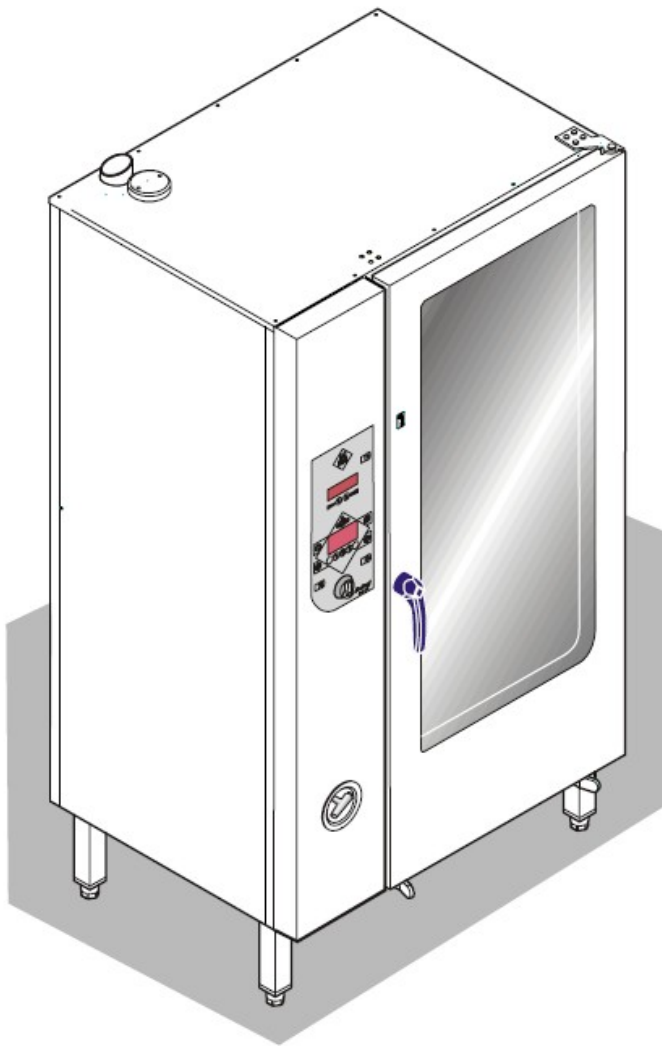
vsezip.ru
en

+7(812)987-08-81

Exploded drawings

Electric and Gas Combisteamer Gold

European CE-Version



| Model | Serial-No. / date | |
|---------------------|---------------------|------|
| | from | thru |
| Software: | Version 3.00 | |
| HansDampf 6.1 | 07020584 / May 2007 | - |
| HansDampf 6.2 Maxi | 07020584 / May 2007 | - |
| HansDampf 10.1 | 07020584 / May 2007 | - |
| HansDampf 10.2 Maxi | 07020584 / May 2007 | - |
| HansDampf 20.1 | 07020584 / May 2007 | - |
| HansDampf 20.2 Maxi | 07020584 / May 2007 | - |

2009/09/21 SEV/KA

vsezip.ru

+7(812)987-08-81

vsezip.ru

Contents

| | |
|---|----|
| Front panel HD6.x Gold..... | 6 |
| Front panel HD10.x Gold..... | 7 |
| Electric assembly 3NPE 400V HD6.1..... | 8 |
| Electric assembly 3NPE 400V HD6.2..... | 9 |
| Electric assembly 3NPE 400V HD10.1..... | 10 |
| Electric assembly 3NPE 400V HD10.2..... | 11 |
| Gas assembly HD6.1..... | 12 |
| Gas assembly HD6.2..... | 13 |
| Gas assembly HD10.1..... | 14 |
| Gas assembly HD10.2..... | 15 |
| Core temperature probe HD6.x & HD10.x..... | 16 |
| Tube carrier box & handshower HD6.x & HD10.x Electric..... | 17 |
| Tube carrier box & handshower 6.x & 10.x Gas..... | 18 |
| Water assembly 50Hz HD6.x & HD10.x..... | 19 |
| Water assembly 60Hz HD6.x & HD10.x..... | 20 |
| Chassis HD6.x Electric..... | 21 |
| Chassis HD10.x Electric..... | 22 |
| Chassis HD6.x Gas..... | 23 |
| Chassis HD10.x Gas..... | 24 |
| Chassis door area HD6.x, right hand hinged (Electric)..... | 25 |
| Chassis door area HD6.x, left hand hinged (Electric)..... | 26 |
| Chassis door area HD10.x, right hand hinged (Electric)..... | 27 |
| Chassis door area HD10.x, left hand hinged (Electric)..... | 28 |
| Chassis door area HD6.x, right hand hinged (Gas)..... | 29 |
| Chassis door area HD6.x, left hand hinged (Gas)..... | 30 |
| Chassis door area HD10.x, right hand hinged (Gas)..... | 31 |
| Chassis door area HD10.x, left hand hinged (Gas)..... | 32 |
| Front panel HD20.x Gold..... | 34 |
| Elektrobaugruppe 3NPEAC 400V HD20.1..... | 35 |
| Elektrobaugruppe 3NPEAC 400V HD20.2..... | 36 |
| Gas assembly HD20.1..... | 37 |
| Gas assembly HD20.2..... | 38 |
| Core temperature probe HD20.x..... | 39 |
| Tube carrier box & handshower HD20.x (Electric)..... | 40 |
| Tube carrier box & handshower HD20.x Gas..... | 41 |
| Water assembly 50Hz HD20.x..... | 42 |
| Water assembly 60Hz HD20.x..... | 43 |
| Chassis HD20.x (Electric)..... | 44 |
| Chassis HD20.x (Gas)..... | 45 |
| Chassis door area HD20.x, right hand hinged (Electric)..... | 46 |
| Chassis door area HD20.x, left hand hinged (Electric)..... | 47 |
| Chassis door area HD20.x, right hand hinged (Gas)..... | 48 |
| Chassis door area HD20.x, left hand hinged (Gas)..... | 49 |
| Spare part list HanDampf..... | 50 |

vsezip.ru

+7(812)987-08-81

vsezip.ru

+7(812)987-08-81

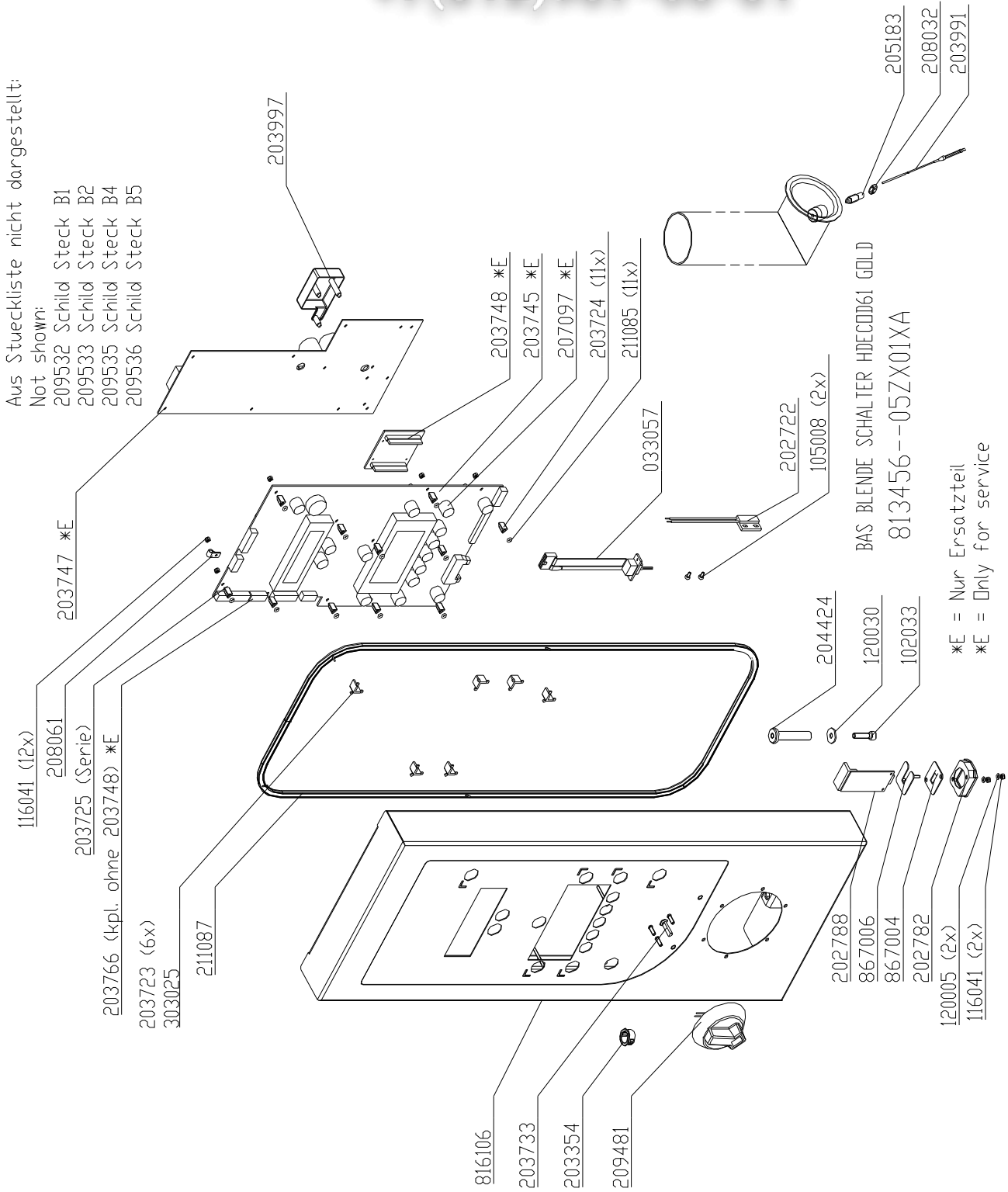
Exploded drawings 6.x & 10.x

Electric & Gas

vsezip.ru

Front panel HD6.x Gold

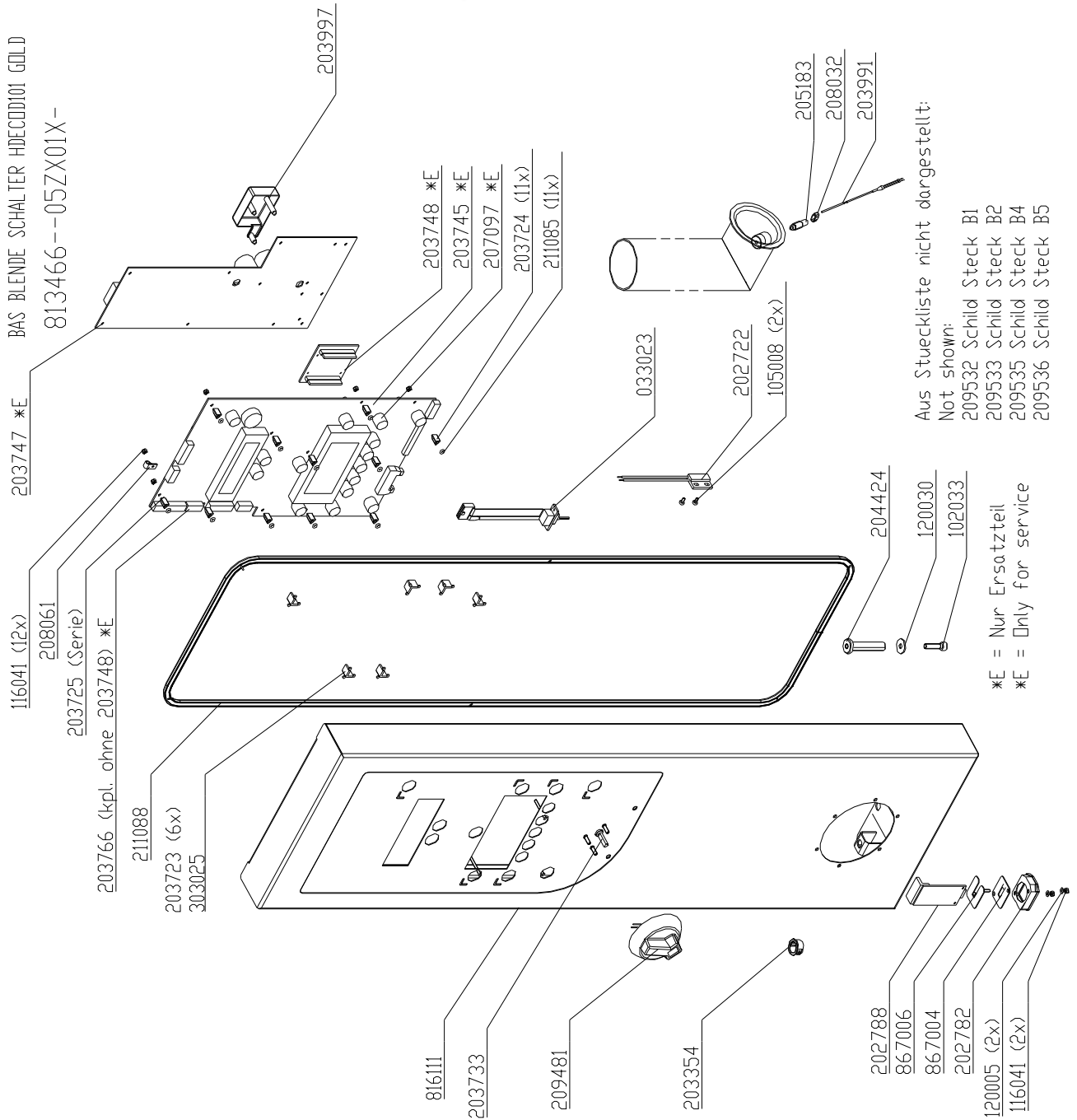
Valid from S/N 09021472 (July 2009) with USB port



Until S/N 09021471 with serial port #033023 instead of USB port

vsezip.ru
Front panel HD10.x Gold

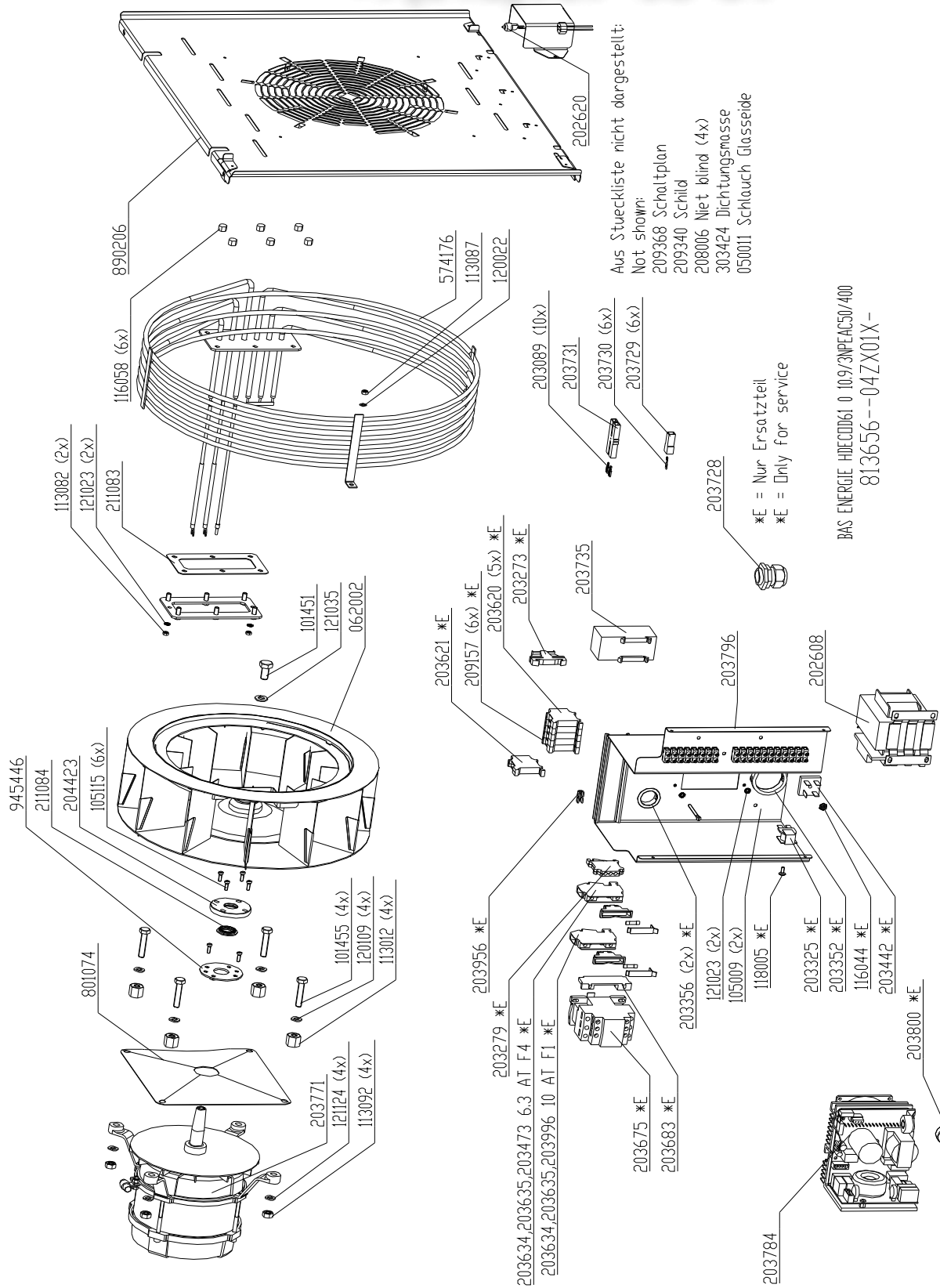
Valid from S/N 09021472 (July 2009) with USB port



Until S/N 09021471 with serial port #033023 instead of USB port

Electric assembly 3NPE 400V HD6.1

+7(812)987-08-81



Aus Stueckliste nicht dargestellt:
 Not shown:
 209368 Schaltplan
 209340 Schild
 208006 Niet blind (4x)
 303424 Dichtungsmasse
 050011 Schlauch Glassiebe

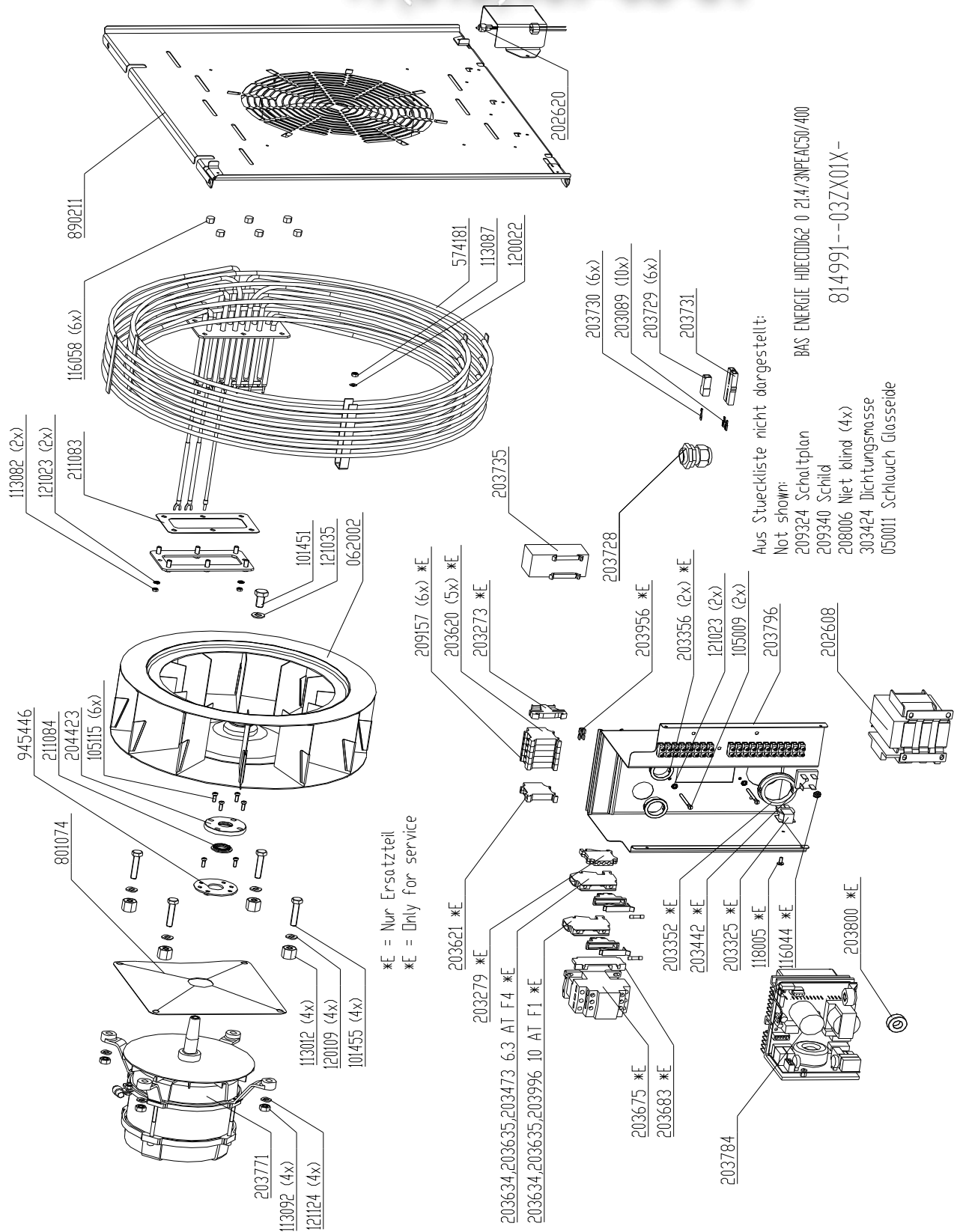
BAS ENERGIE HD6C00161 0 109/3NPEAC50/400
 813656--04ZX01X-

Bis (until) S/N 08022075 (August2008) Transformator (transformer) #203818

vsezip.ru

Electric assembly 3NPE 400V HD6.2

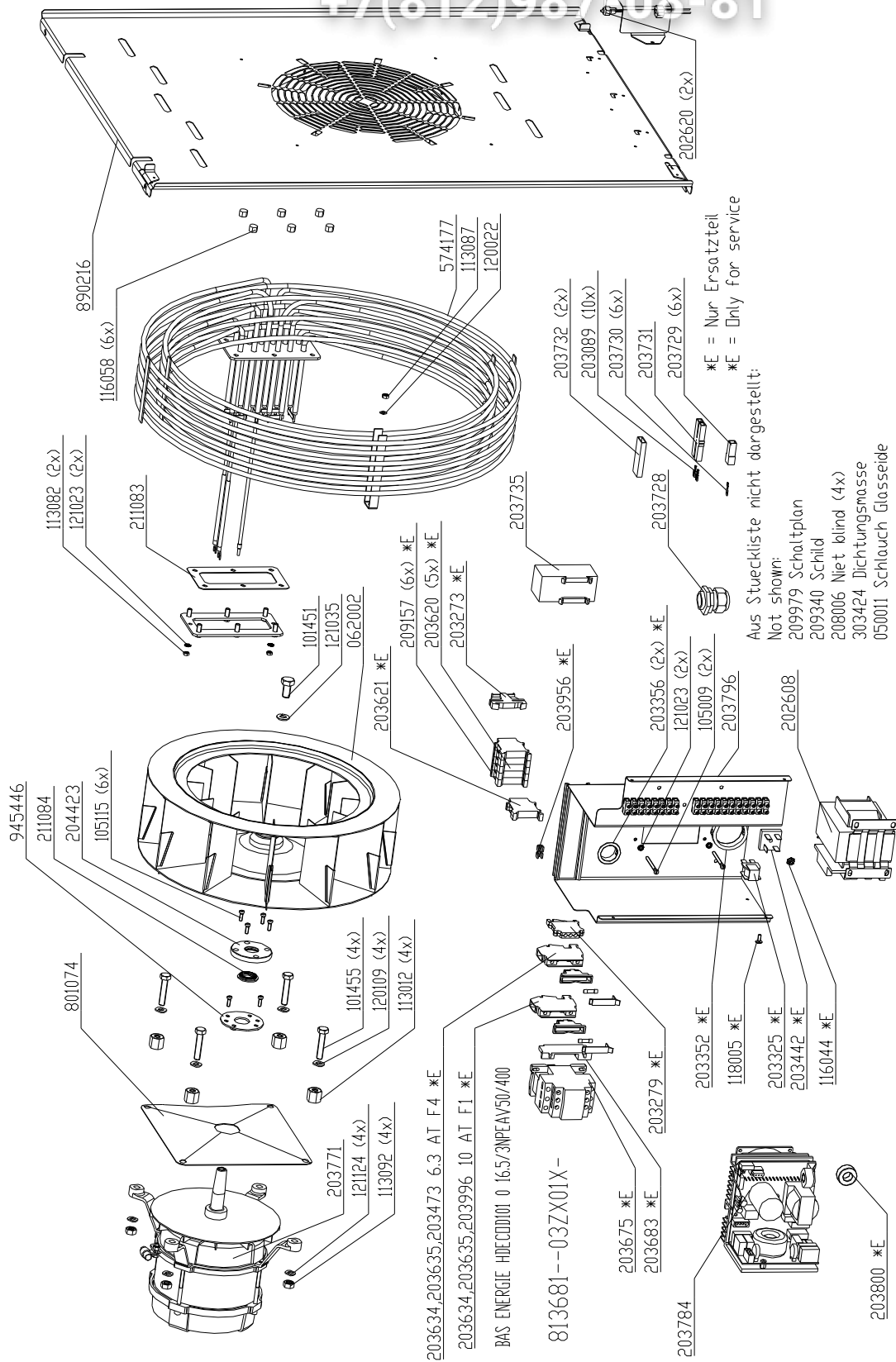
+7(812)987-08-81



Bis (until) S/N 08022075 (August2008) Transformator (transformer) #203818

Electric assembly 3NPE 400V HD10.1

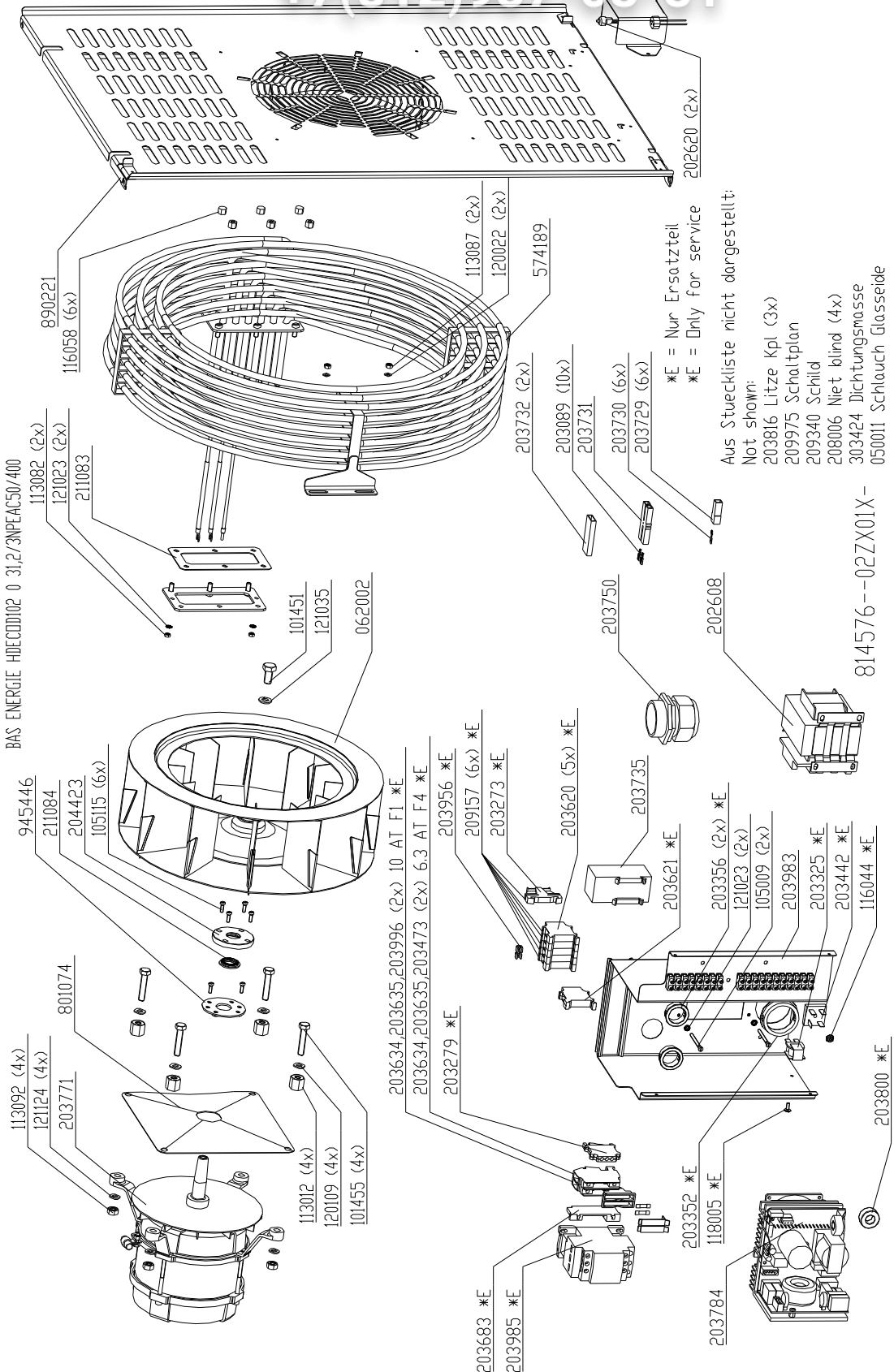
vsezip.ru
+7(812)98708-81



Bis (until) S/N 08022075 (August2008) Transformator (transformer) #203818

Electric assembly 3NPE 400V HD10.2

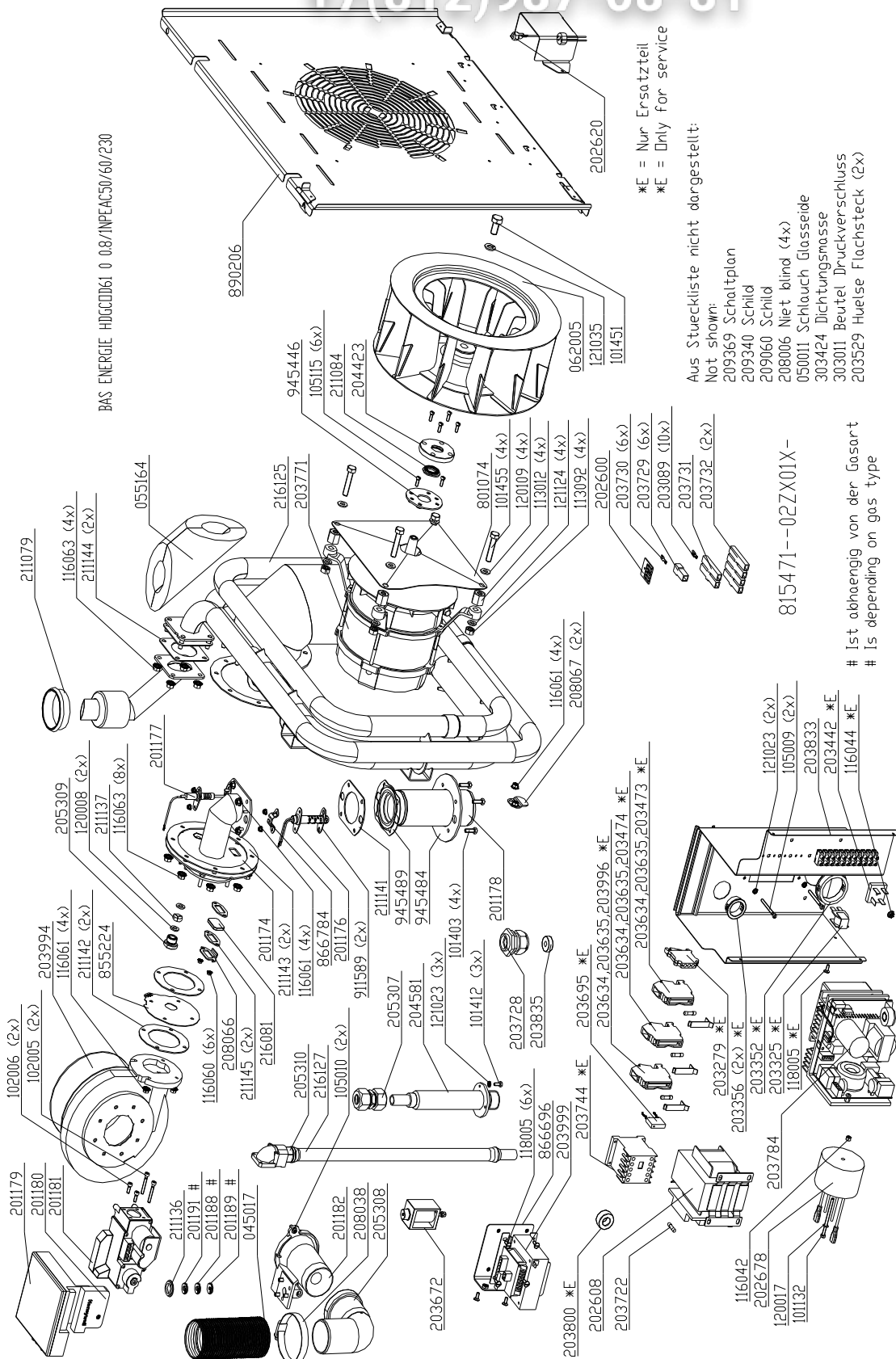
+7(812)987-08-81



Bis (until) S/N 08022075 (August2008) Transformator (transformer) #203818

vsezip.ru
Gas assembly HD6.1

+7(812)987-08-81



*E = Nur Ersatzteil
*E = Only for service

Aus Stueckliste nicht dargestellt:
Not shown:

- 209369 Schaltplan
- 209340 Schild
- 209060 Schild
- 208006 Niet blind (4x)
- 050011 Schlauch Glasseide
- 303424 Dichtungsmasse
- 303011 Beutel Druckverschluss
- 203529 Huelse Flachsteck (2x)

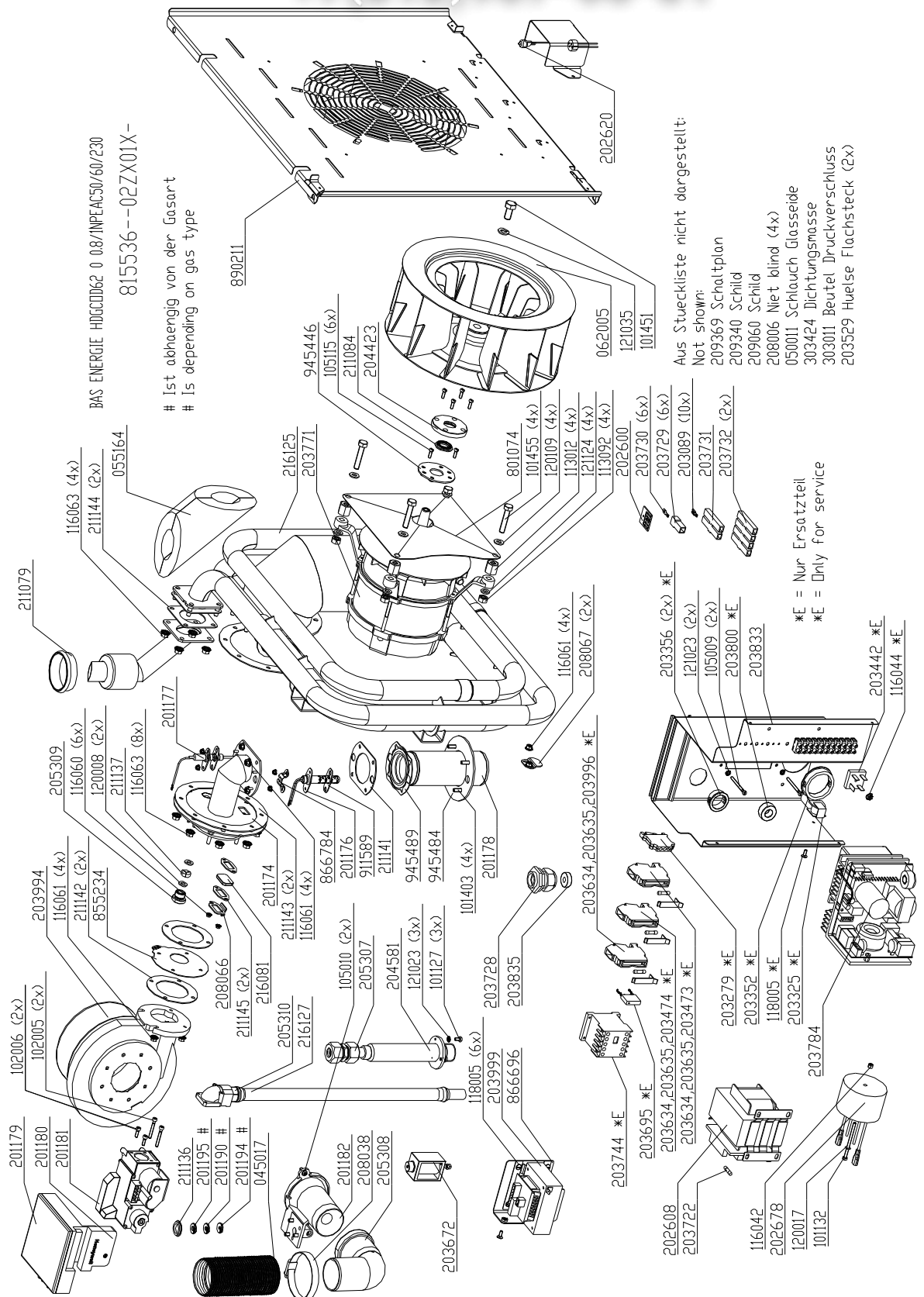
Ist abhaengig von der Gasart
Is depending on gas type

Bis (until) S/N 08022075 (August2008) Transformator (transformer) #203818

vsezip.ru

Gas assembly HD6.2

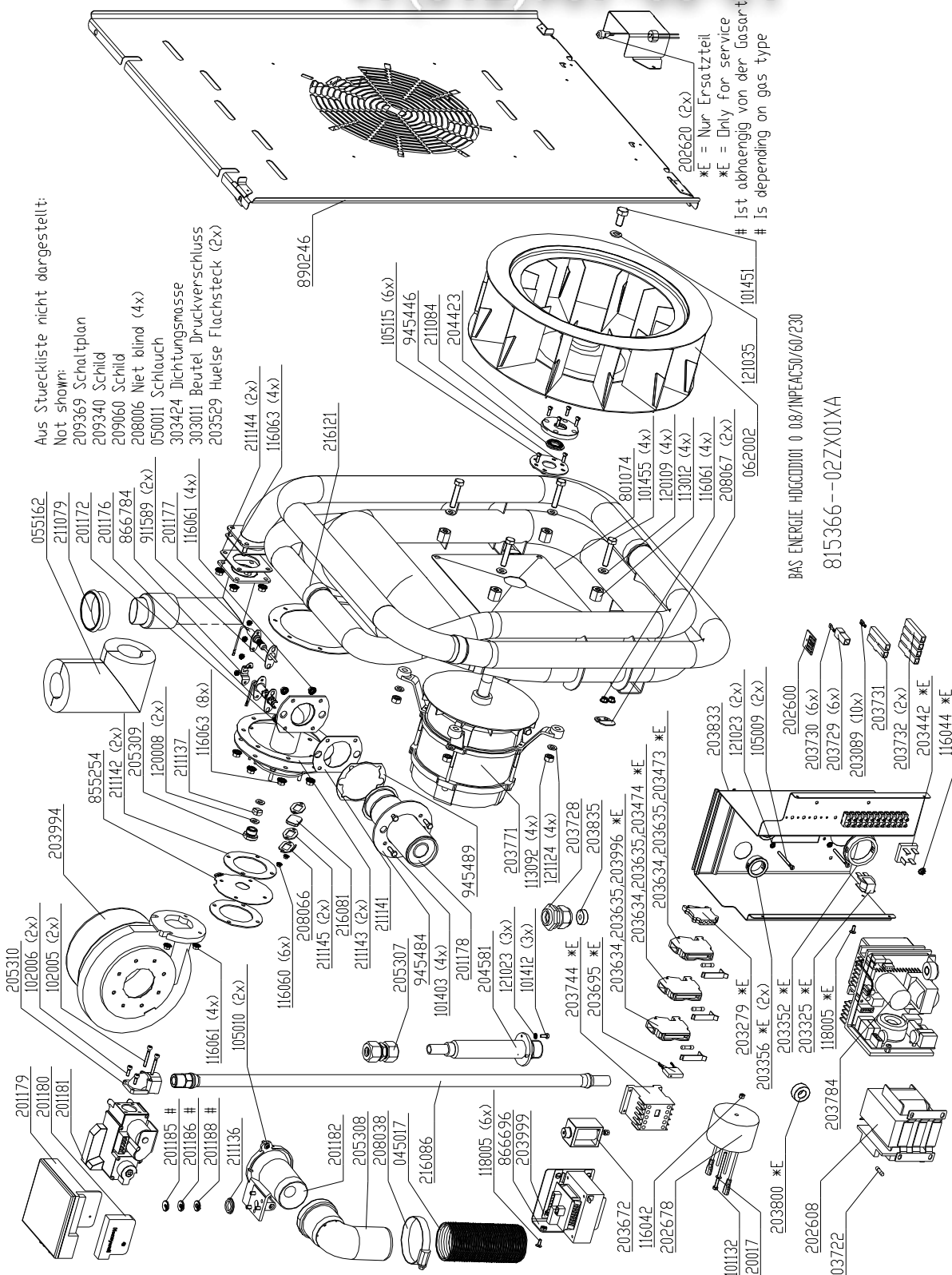
+7(812)987-08-81



Bis (until) S/N 08022075 (August2008) Transformator (transformer) #203818

vsezip.ru
Gas assembly HD10.1

+7(812)987-08-81

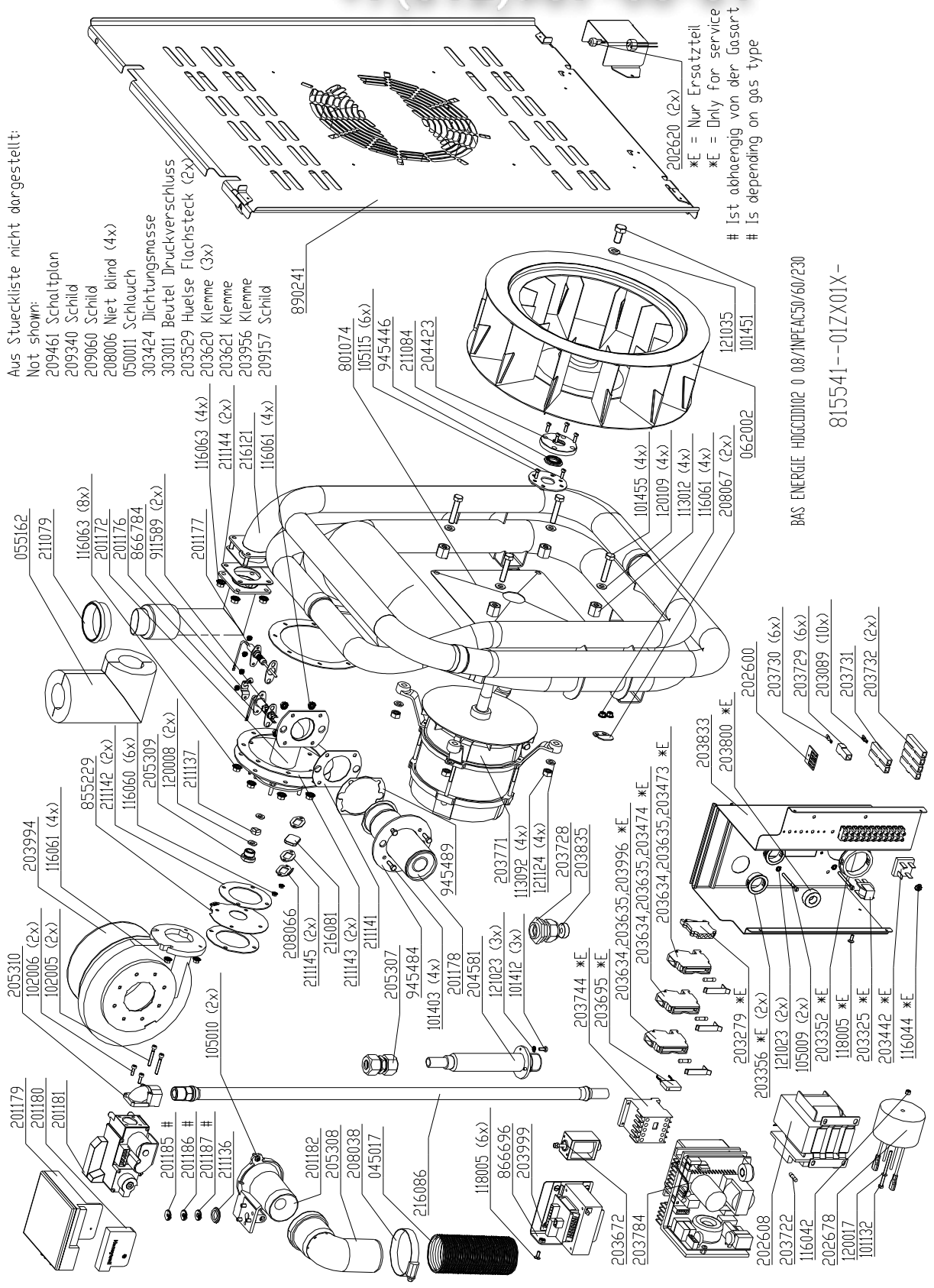


Bis (until) S/N 08022075 (August2008) Transformator (transformer) #203818

Bis (until) S/N 09020157: #216085 ersetzt durch (replaced by) #216121 & # 855254. Es müssen beide Teile ersetzt werden (Both parts must be replaced!)

vsezip.ru
Gas assembly HD10.2

+7(812)987-08-81



Aus Stueckliste nicht dargestellt:
Not shown:

- 209461 Schaltplan
- 209340 Schild
- 209060 Schild
- 208006 Niet blind (4x)
- 050011 Schlauch
- 303424 Dichtungsmasse
- 303011 Beutel Druckverschluss
- 203529 Huelse Flachsteck (2x)
- 203620 Klemme (3x)
- 203621 Klemme
- 203956 Klemme
- 209157 Schild

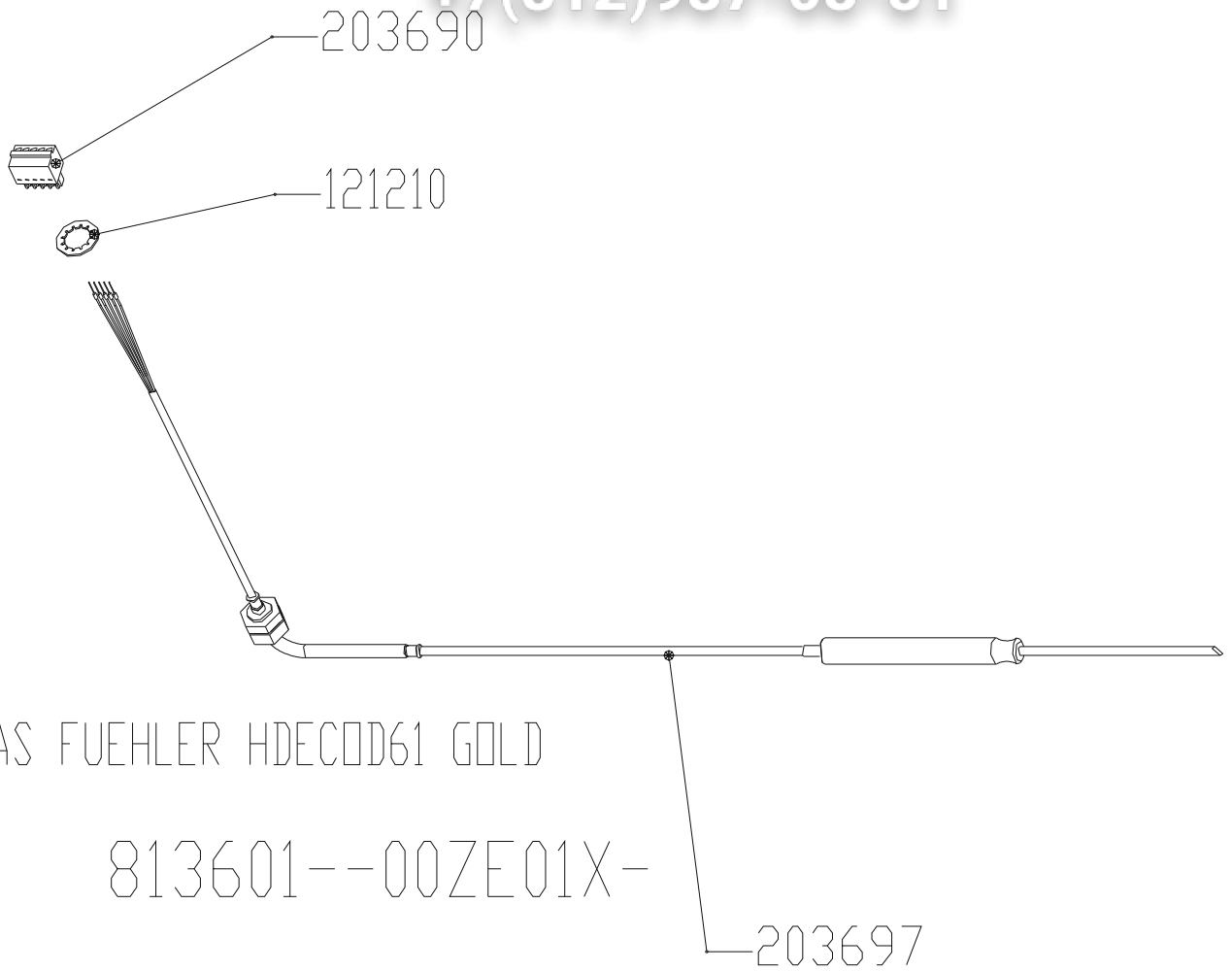
202620 (2x)
*E = Nur Ersatzteil
*E = Only for service
Ist abhaengig von der Gasart
is depending on gas type

BAS ENERGIE HDGCDD102 0.08/1NPEAC50/60/230
815541--01ZX01X-

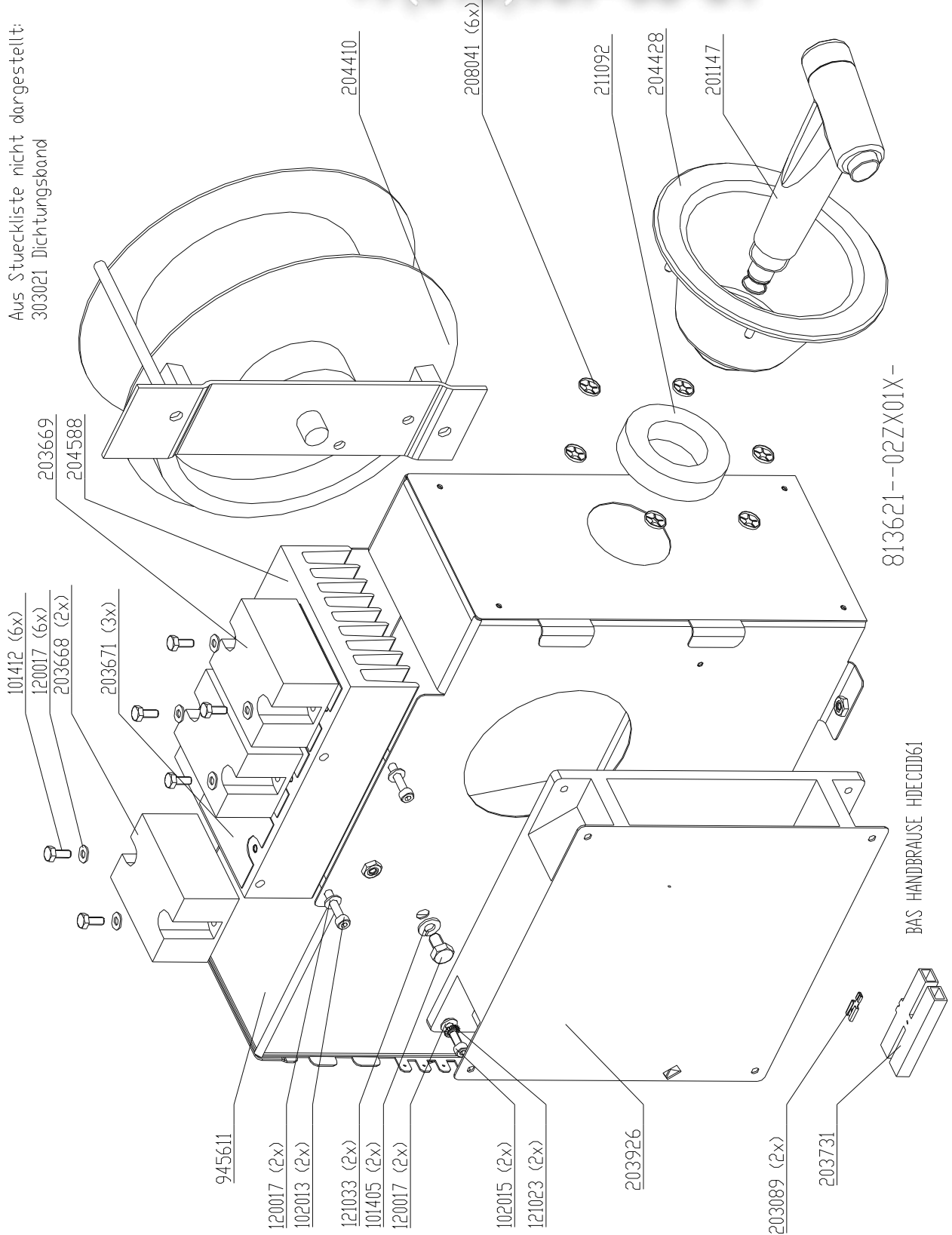
Bis (until) S/N 08022075 (August2008) Transformator (transformer) #203818

vsezip.ru
Core temperature probe HD6.x & HD10.x

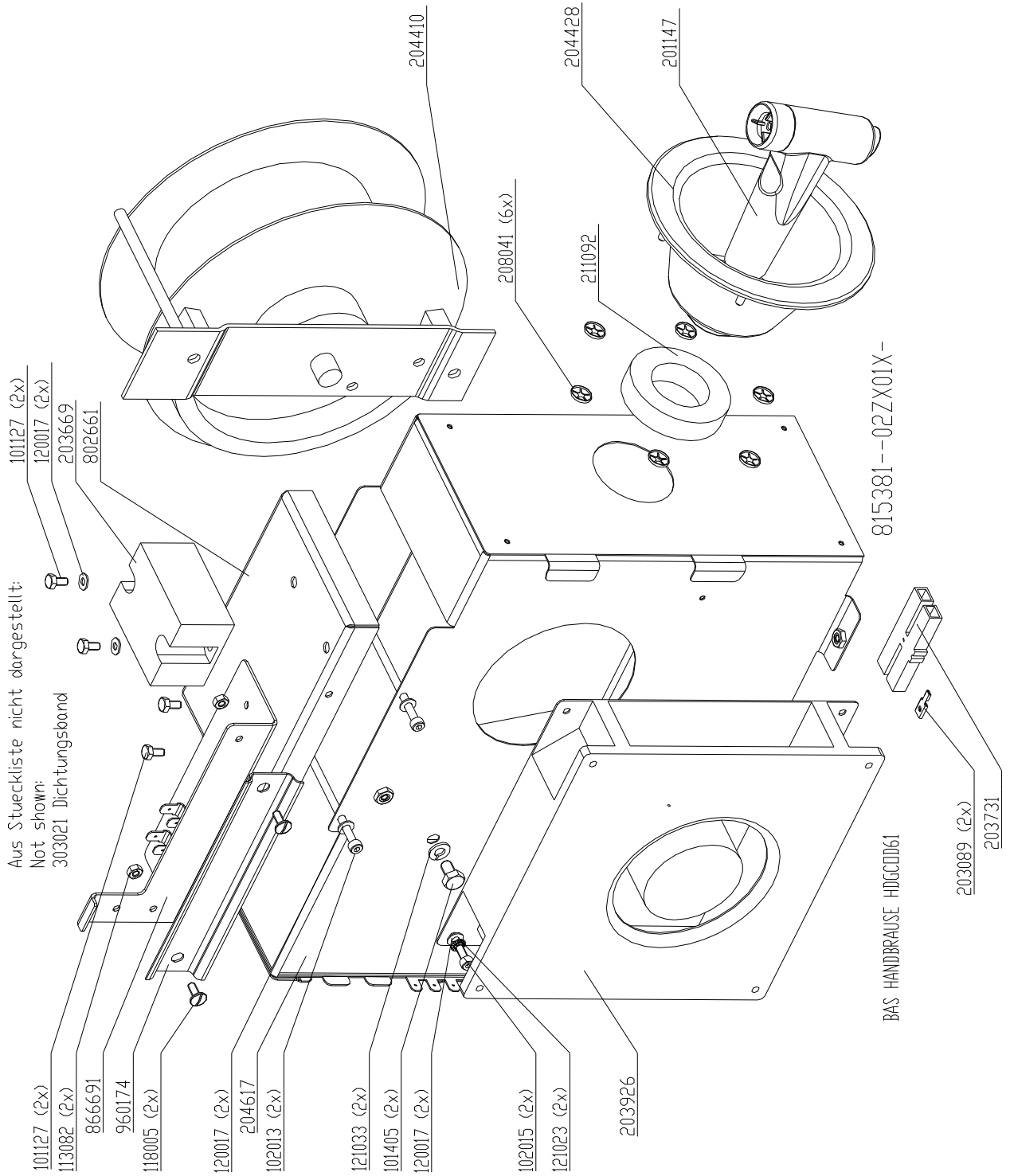
+7(812)987-08-81



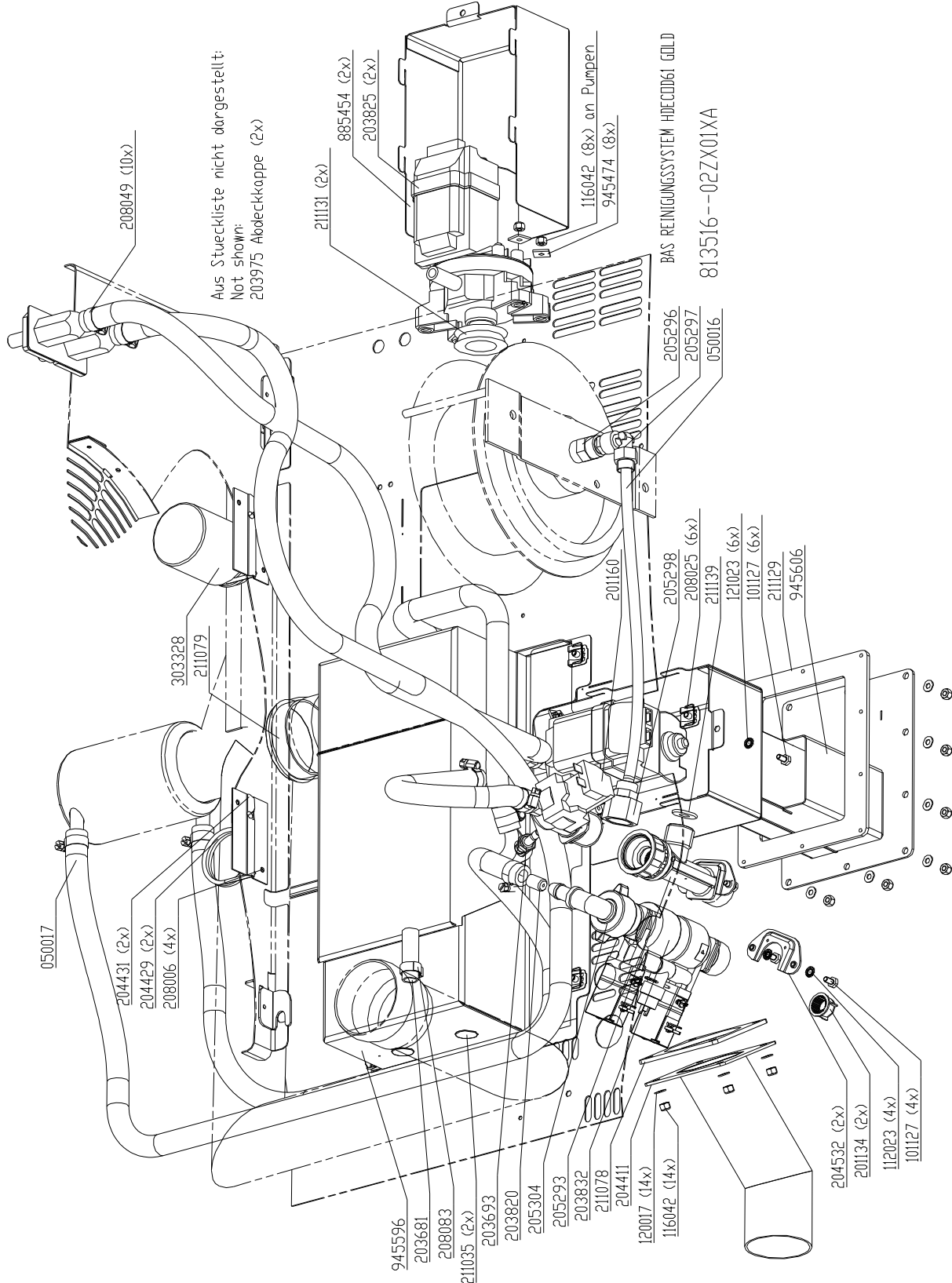
vsezip.ru
Tube carrier box & handshower HD6.x & HD10.x Electric
+7(812)987-08-81



vsezip.ru
Tube carrier box & handshower 6.x & 10.x Gas
 +7(812)987-08-81

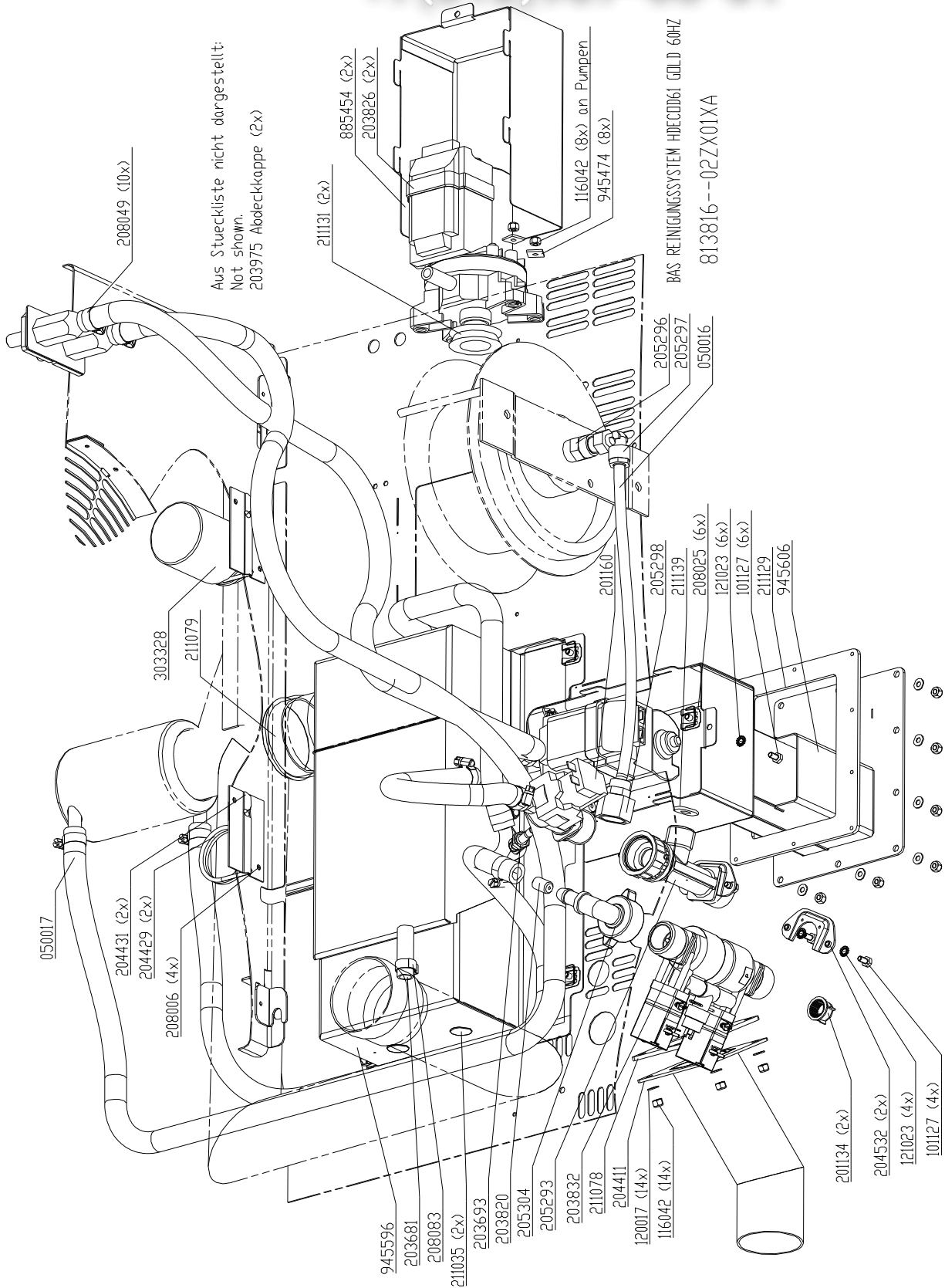


vsezip.ru
Water assembly 50Hz HD6.x & HD10.x
 +7(812)987-08-81



Water assembly 60Hz HD6.x & HD10.x

+7(812)987-08-81

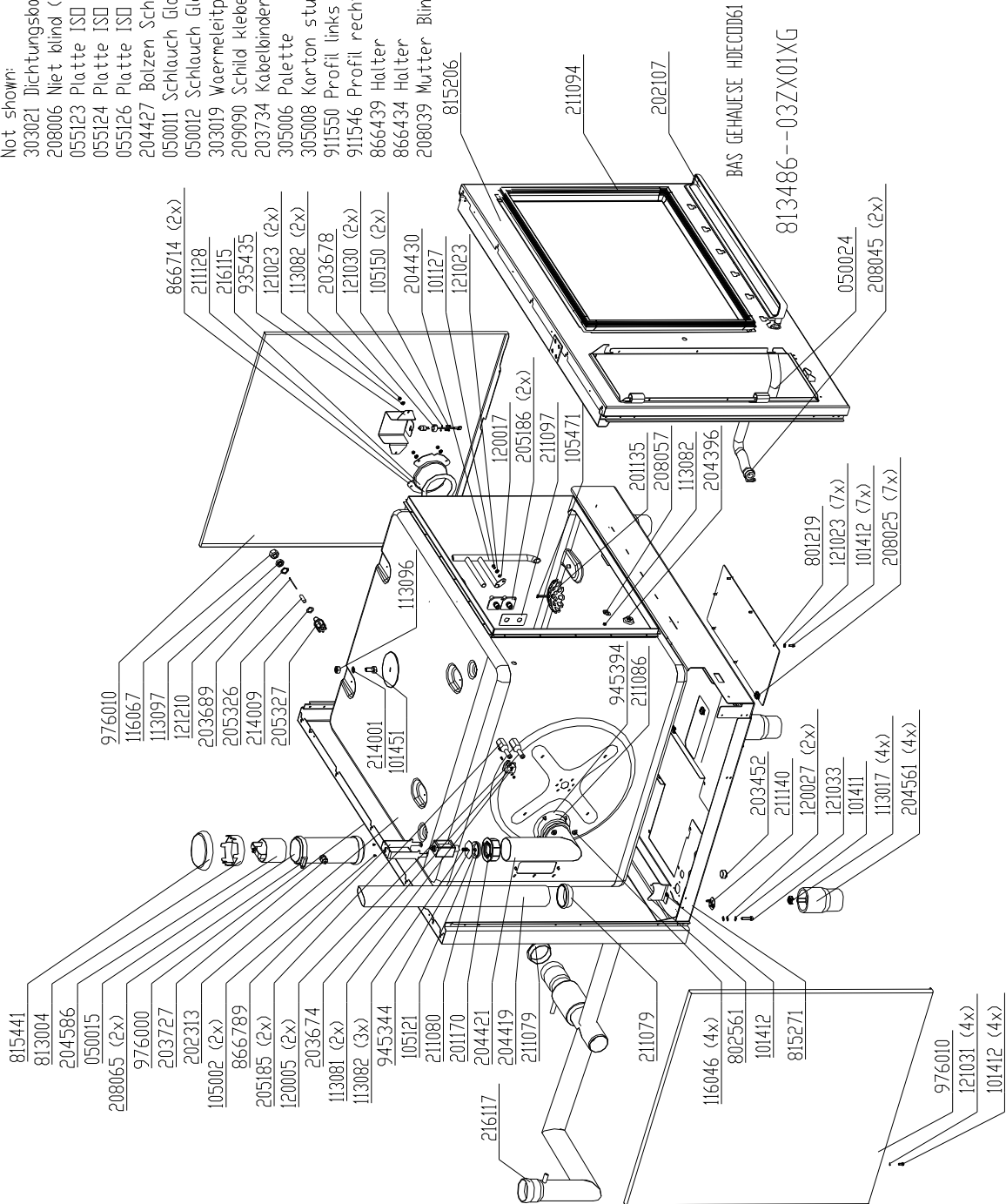


vsezip.ru
Chassis HD6.x Electric

+7(812)987-08-81

Aus Stueckliste nicht dargestellt:

- Not shown:
- 303021 Dichtungsband
 - 208006 Niet blind (68x)
 - 055123 Platte ISO
 - 055124 Platte ISO
 - 055126 Platte ISO
 - 204427 Bolzen Schweiss (26x)
 - 050011 Schlauch Glasseeide
 - 050012 Schlauch Glasseeide
 - 303019 Waermeleitpaste
 - 209090 Schild klebe
 - 203734 Kabelbinder
 - 305006 Palette
 - 305008 Karton stuelp
 - 911550 Profil links
 - 911546 Profil rechts
 - 866439 Halter
 - 866434 Halter
 - 208039 Mutter Blindniet (2x)
 - 815206

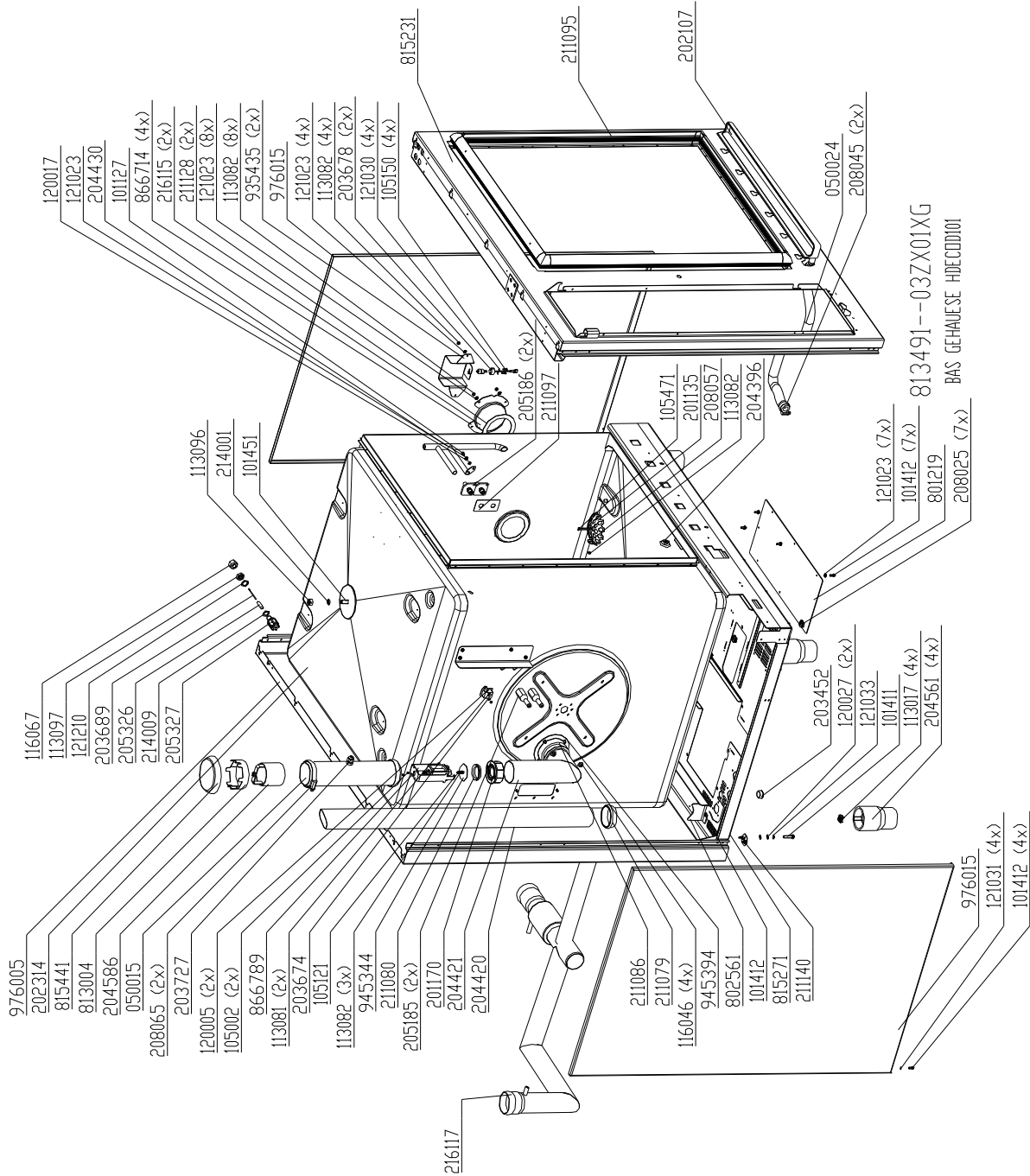


vsezip.ru
Chassis HD10.x Electric

+7(812)987-08-81

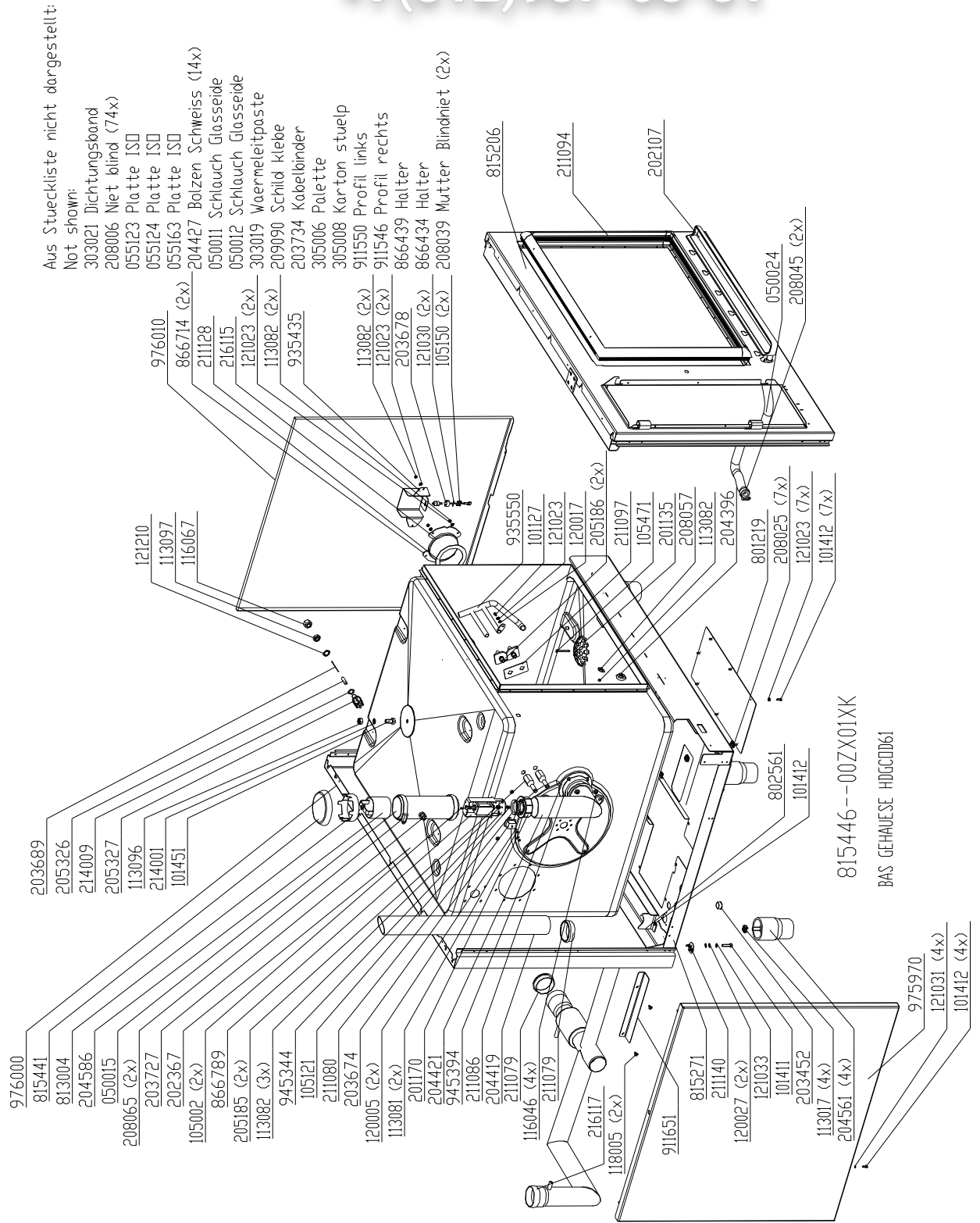
Aus Stueckliste nicht dargestellt:
Not shown:

- 303021 Dichtungsband
- 208006 Niet blind (74x)
- 055123 Platte ISO
- 055124 Platte ISO
- 055127 Platte ISO
- 204427 Bolzen Schweiss (26x)
- 050011 Schlauch Glasseide
- 050012 Schlauch Glasseide
- 303019 Waermeleitpaste
- 209090 Schild klebe
- 203734 Kabelbinder
- 305006 Palette
- 305008 Karton stueelp
- 911550 Profil links
- 911546 Profil rechts
- 866439 Halter
- 866434 Halter
- 208039 Mutter Blindniet (2x)



vsezip.ru
Chassis HD6.x Gas

+7(812)987-08-81

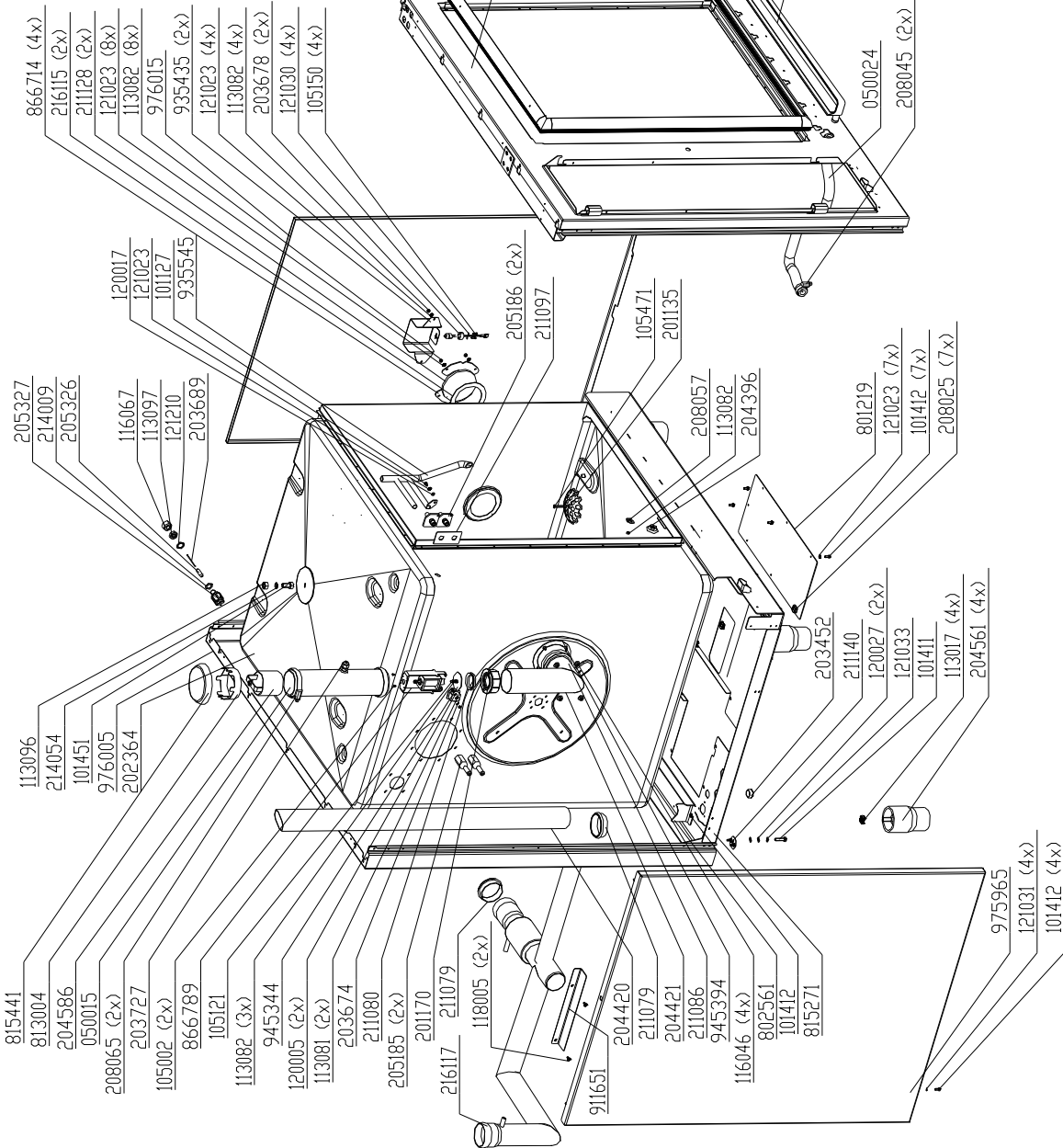


vsezip.ru
Chassis HD10.x Gas

+7(812)987-08-81

Aus Stueckliste nicht dargestellt:
Not shown:

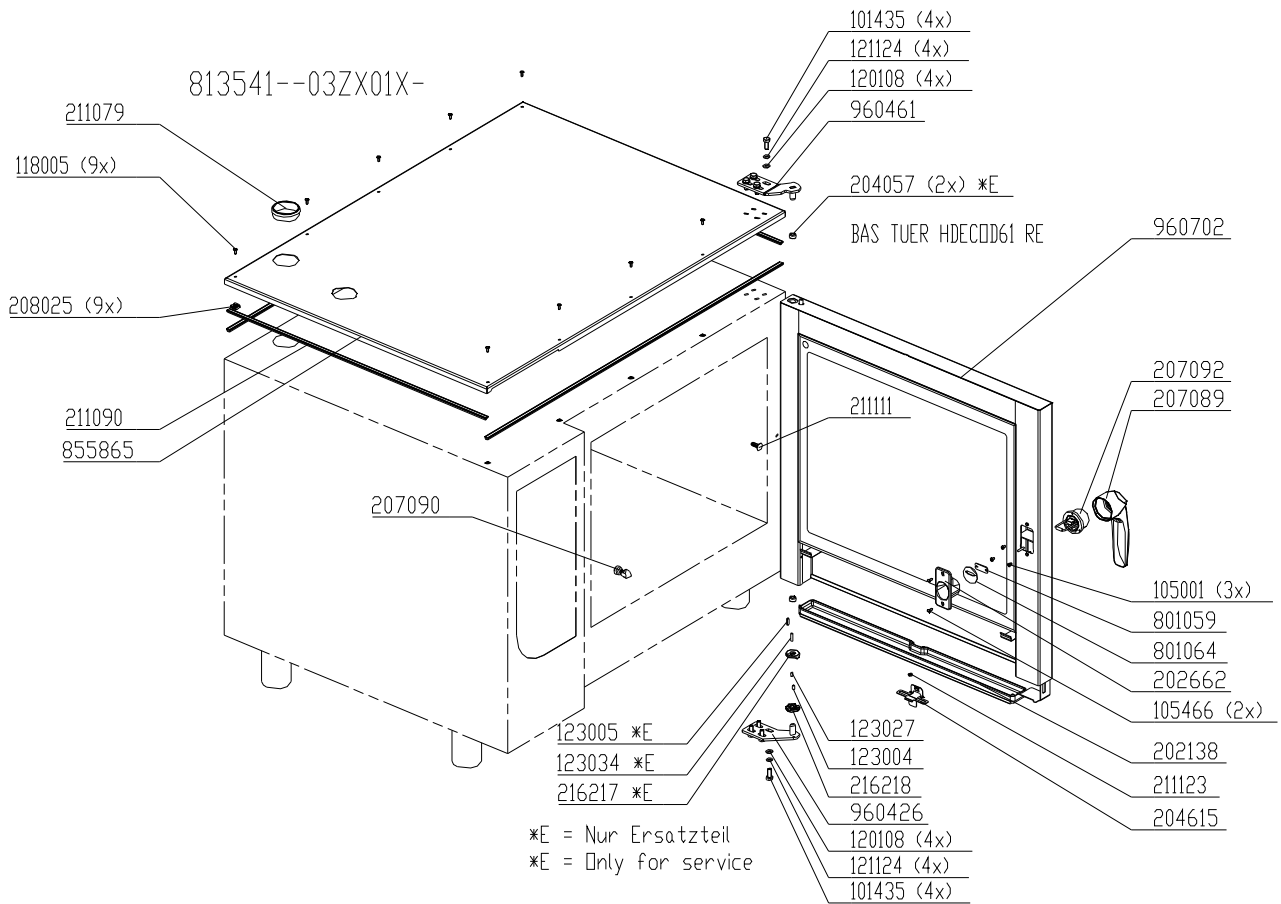
- 303021 Dichtungsband
- 208006 Niet blind (74x)
- 055123 Platte ISD
- 055124 Platte ISD
- 055155 Platte ISD
- 204427 Bolzen Schweiss (26x)
- 050011 Schlauch Glasseele
- 050012 Schlauch Glasseele
- 303019 Waermeleitpaste
- 209090 Schild klebe
- 203734 Kabelbinder
- 305006 Palette
- 305008 Karton stuelp
- 911550 Profil links
- 911546 Profil rechts
- 866439 Halter
- 866434 Halter
- 208039 Mutter Blindniet (2x)



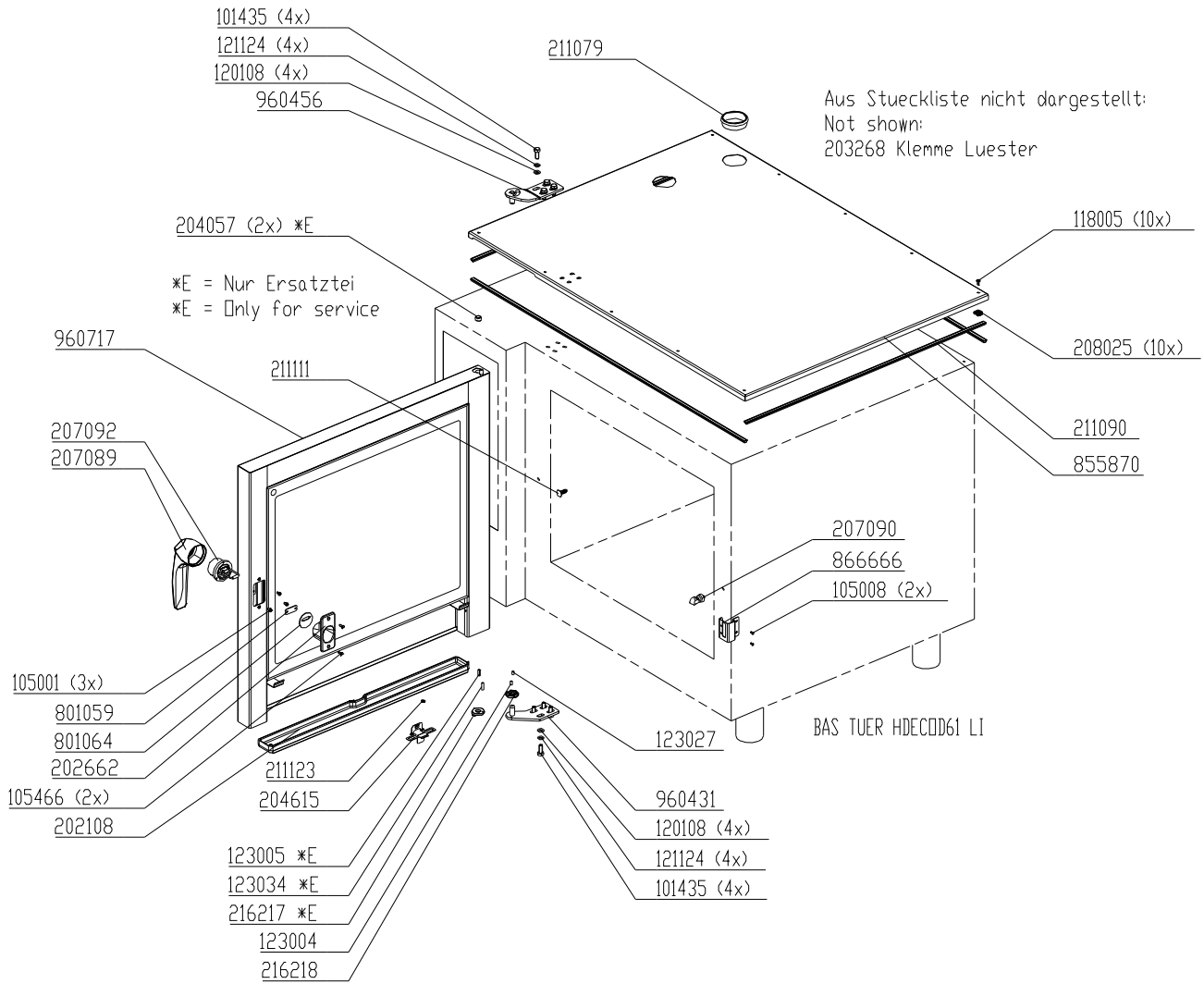
vsezip.ru

Chassis door area HD6.x, right hand hinged (Electric)

+7(812)987-08-81



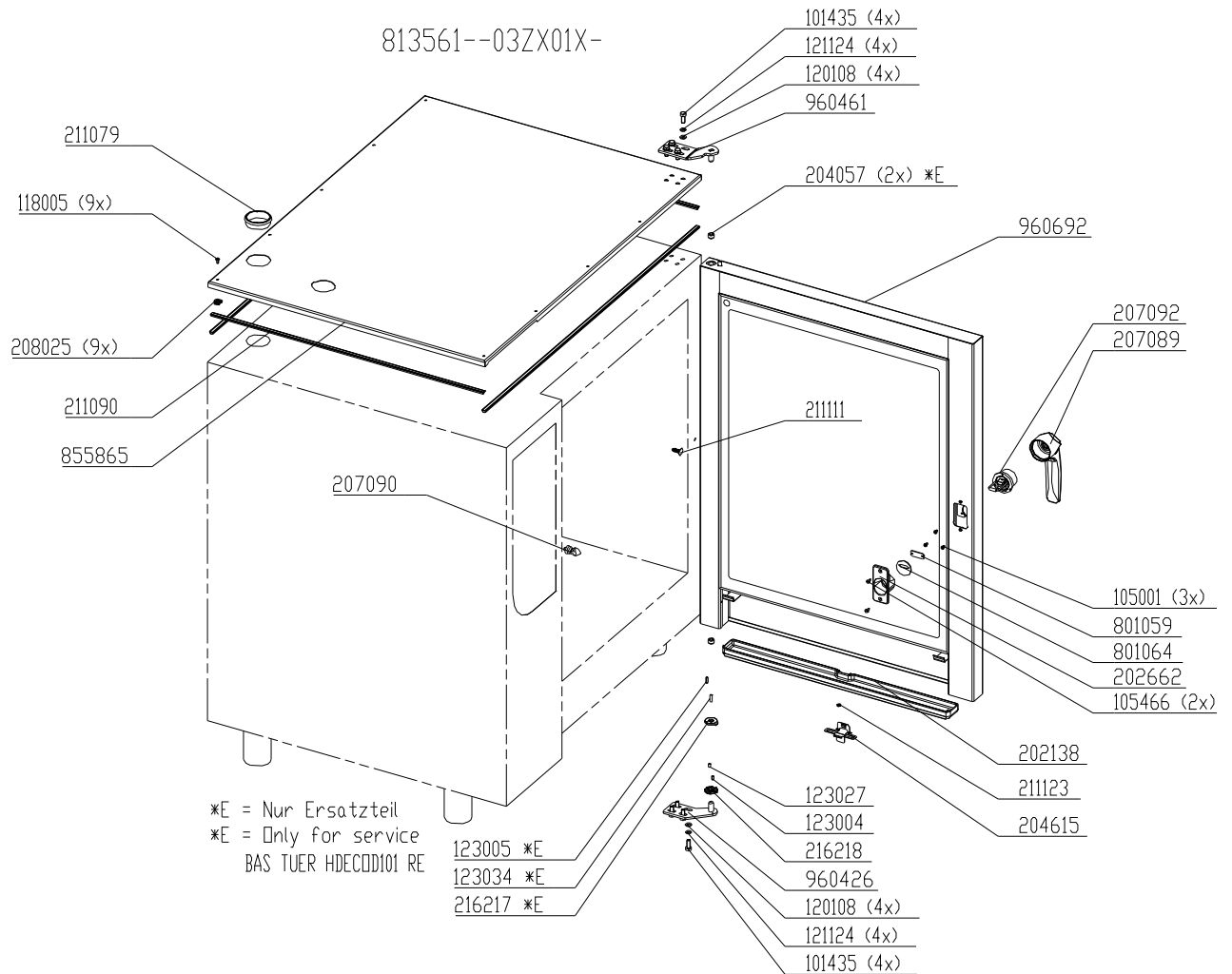
vsezip.ru
Chassis door area HD6.x, left hand hinged (Electric)
 +7(812)987-08-81



vsezip.ru

Chassis door area HD10.x, right hand hinged (Electric)

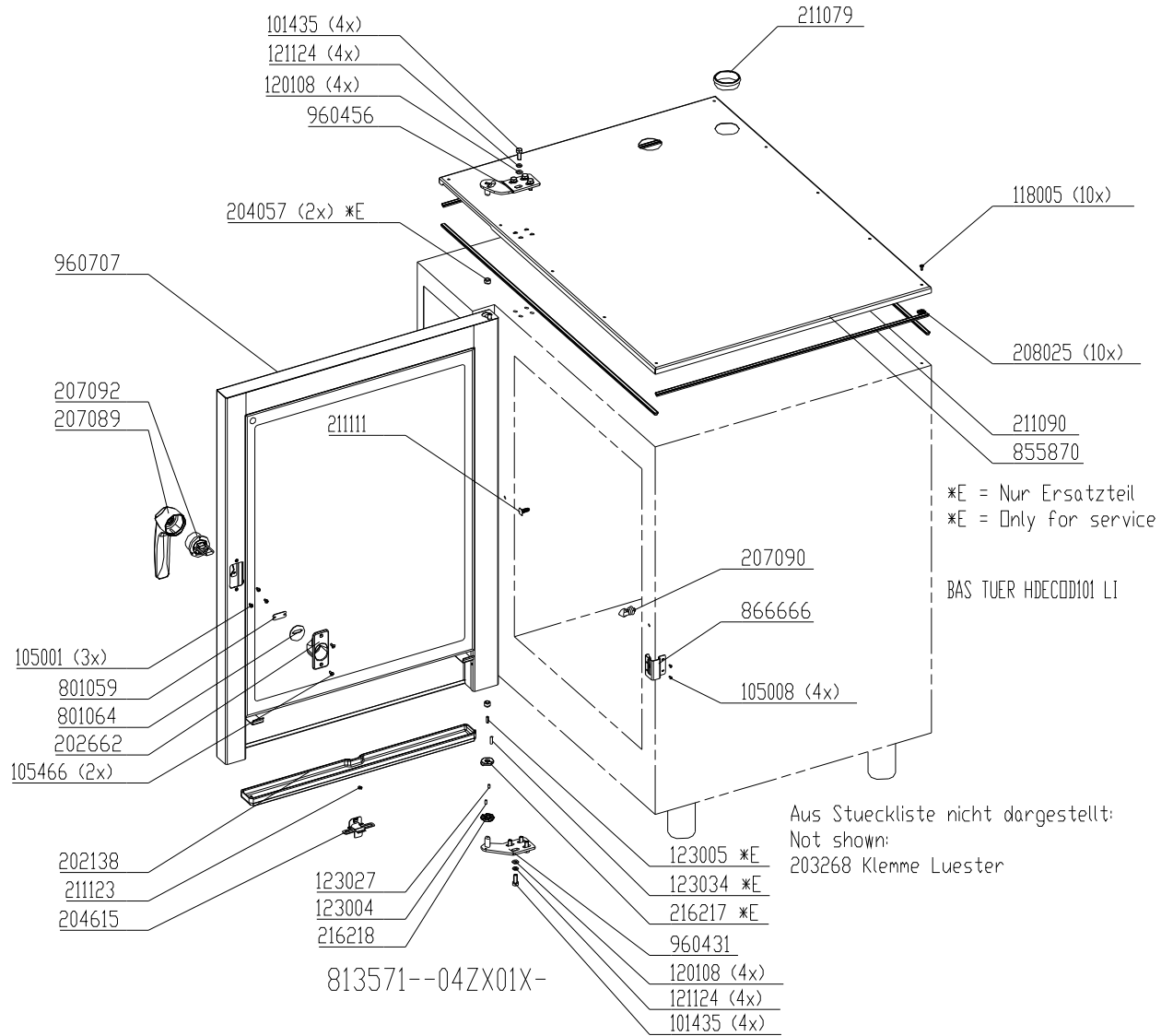
+7(812)987-08-81



vsezip.ru

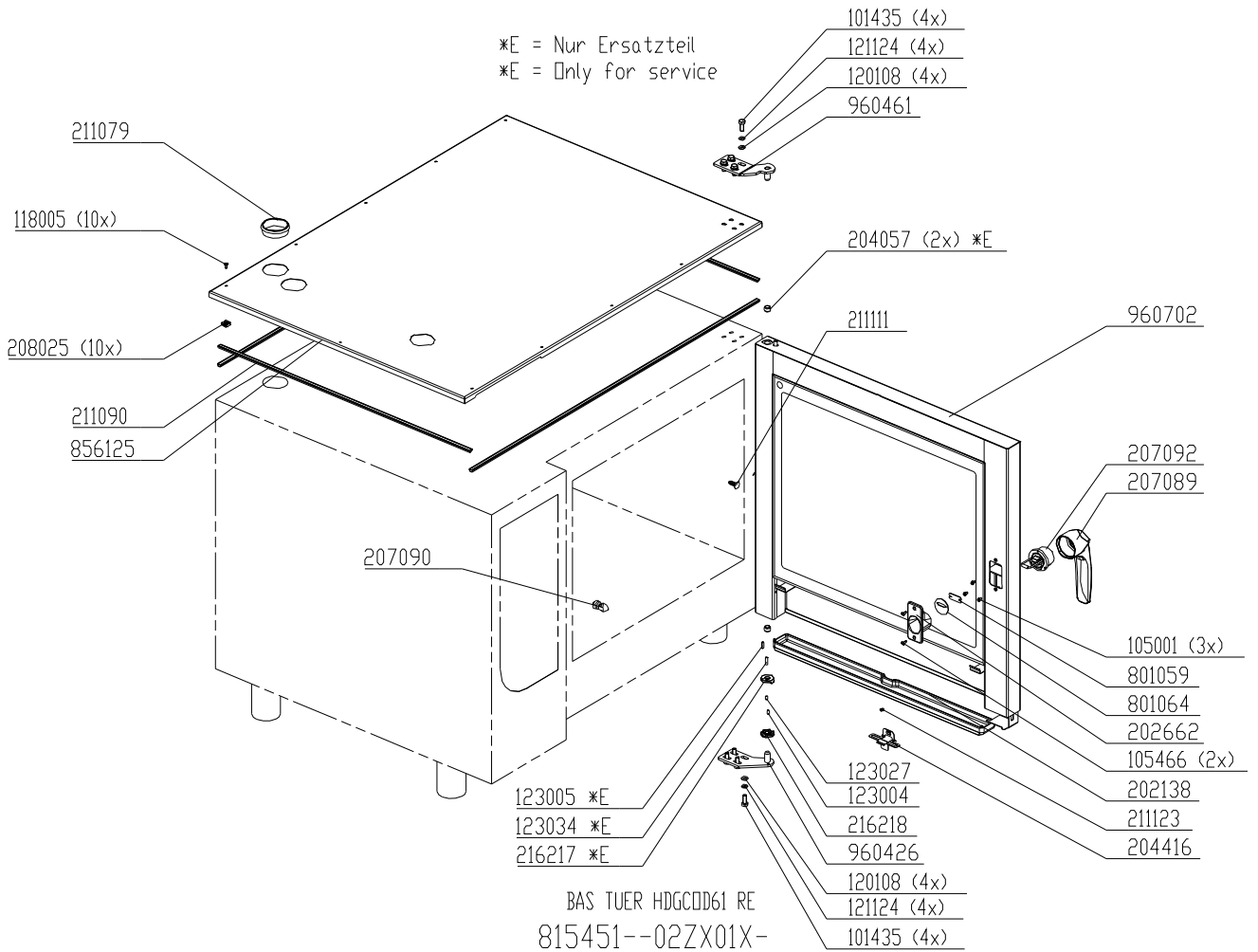
Chassis door area HD10.x, left hand hinged (Electric)

+7(812)987-08-81



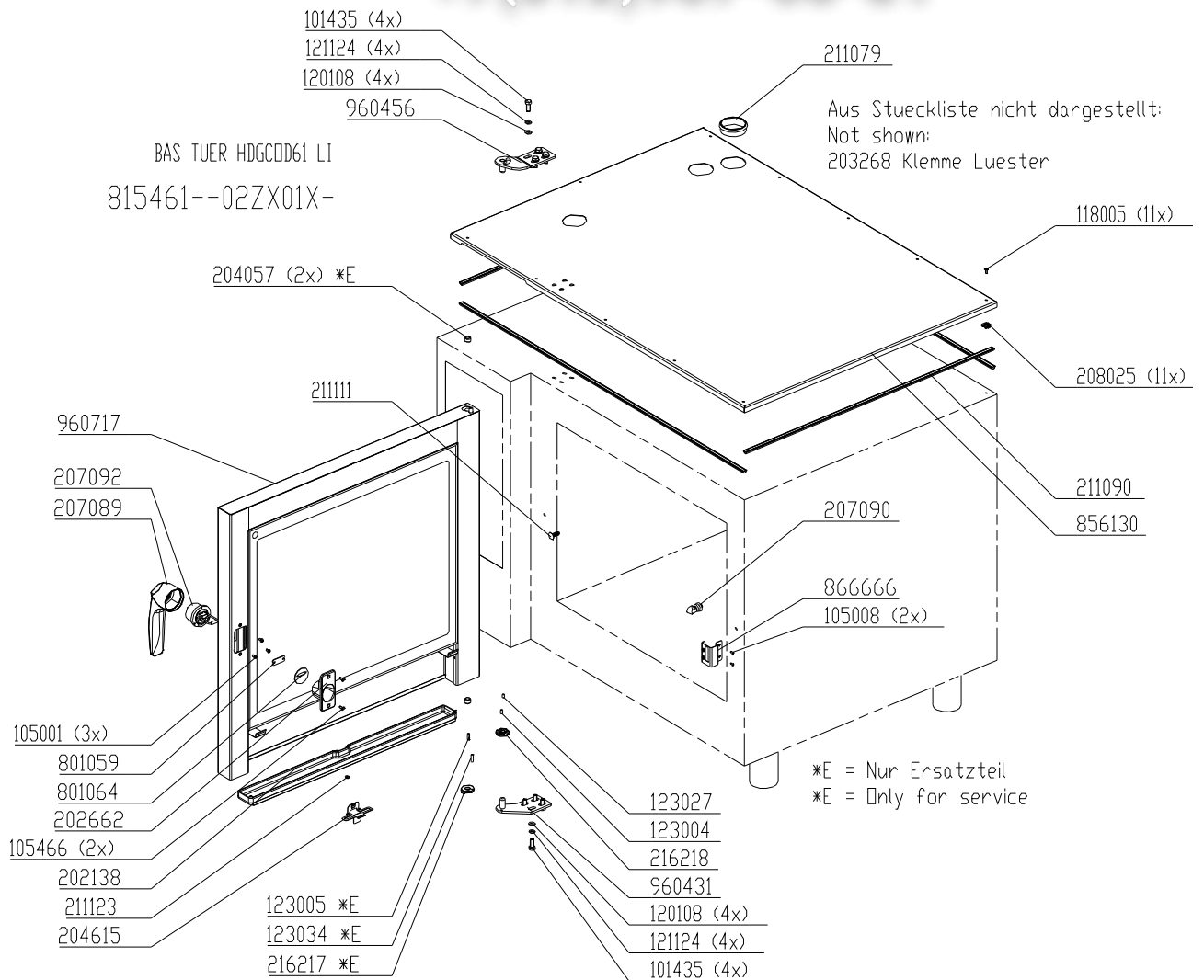
vsezip.ru
Chassis door area HD6.x, right hand hinged (Gas)

+7(812)987-08-81

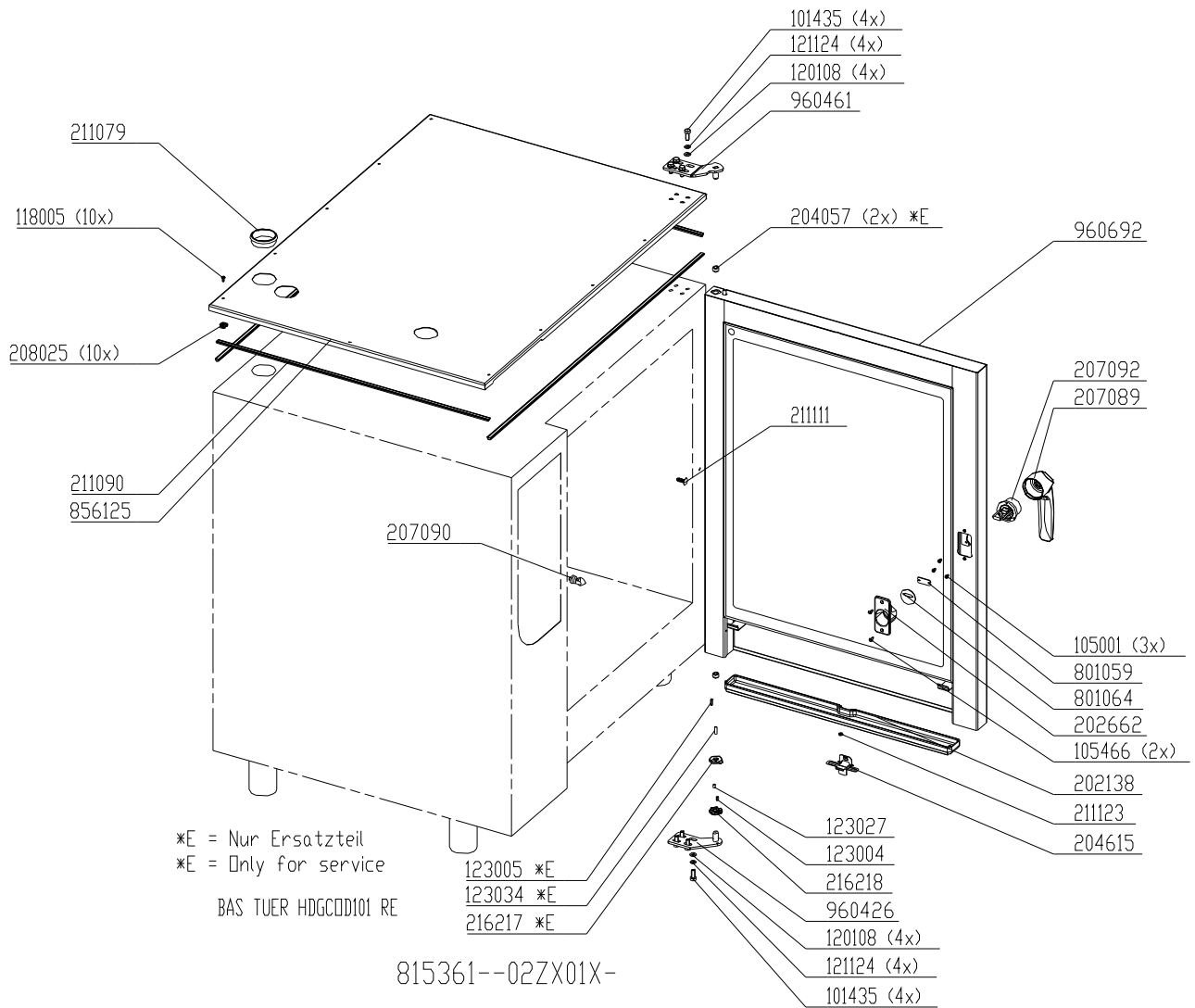


vsezip.ru
Chassis door area HD6.x, left hand hinged (Gas)

+7(812)987-08-81

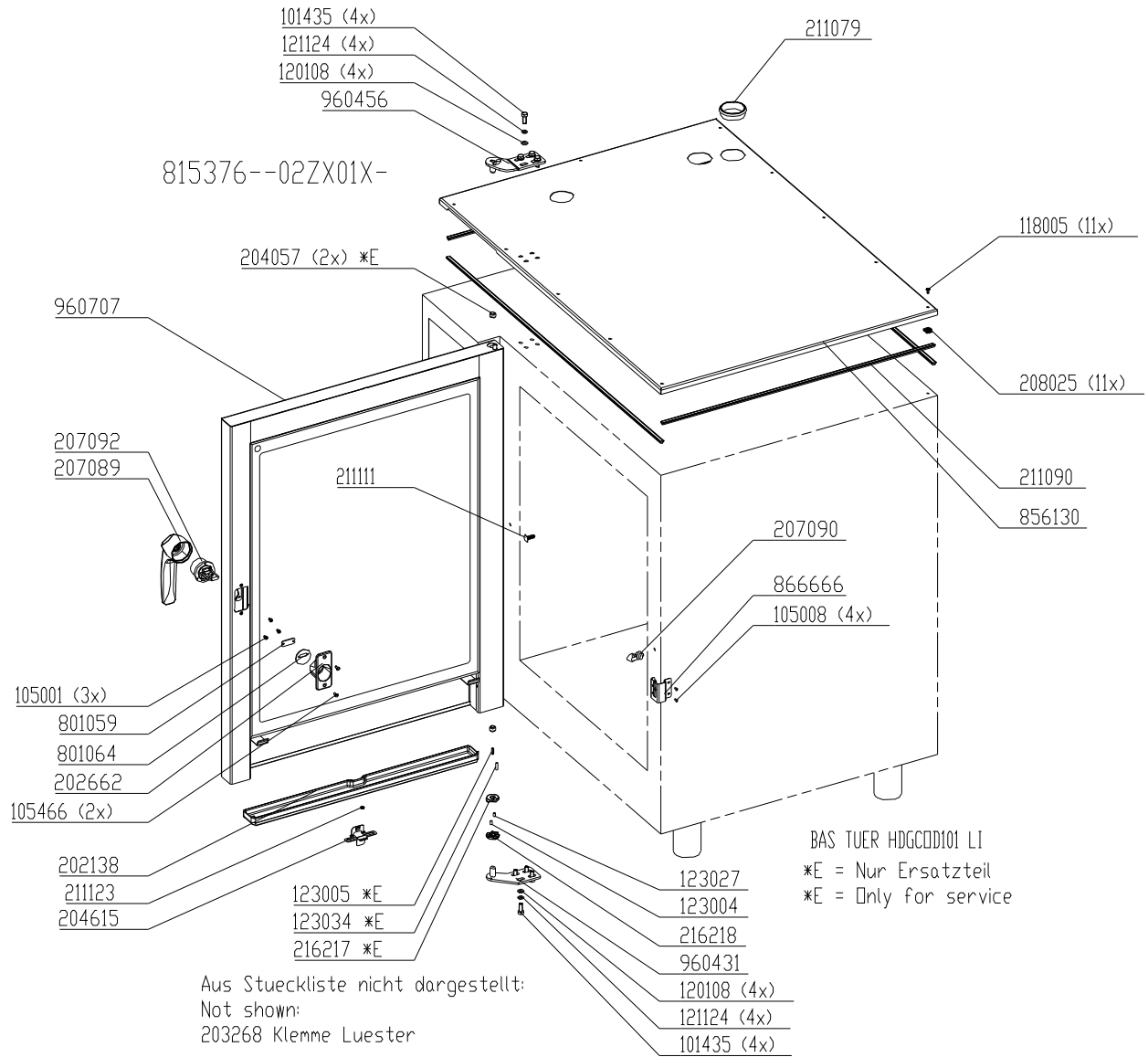


vsezip.ru
Chassis door area HD10.x, right hand hinged (Gas)
+7(812)987-08-81



vsezip.ru
Chassis door area HD10.x, left hand hinged (Gas)

+7(812)987-08-81



vsezip.ru

+7(812)987-08-81

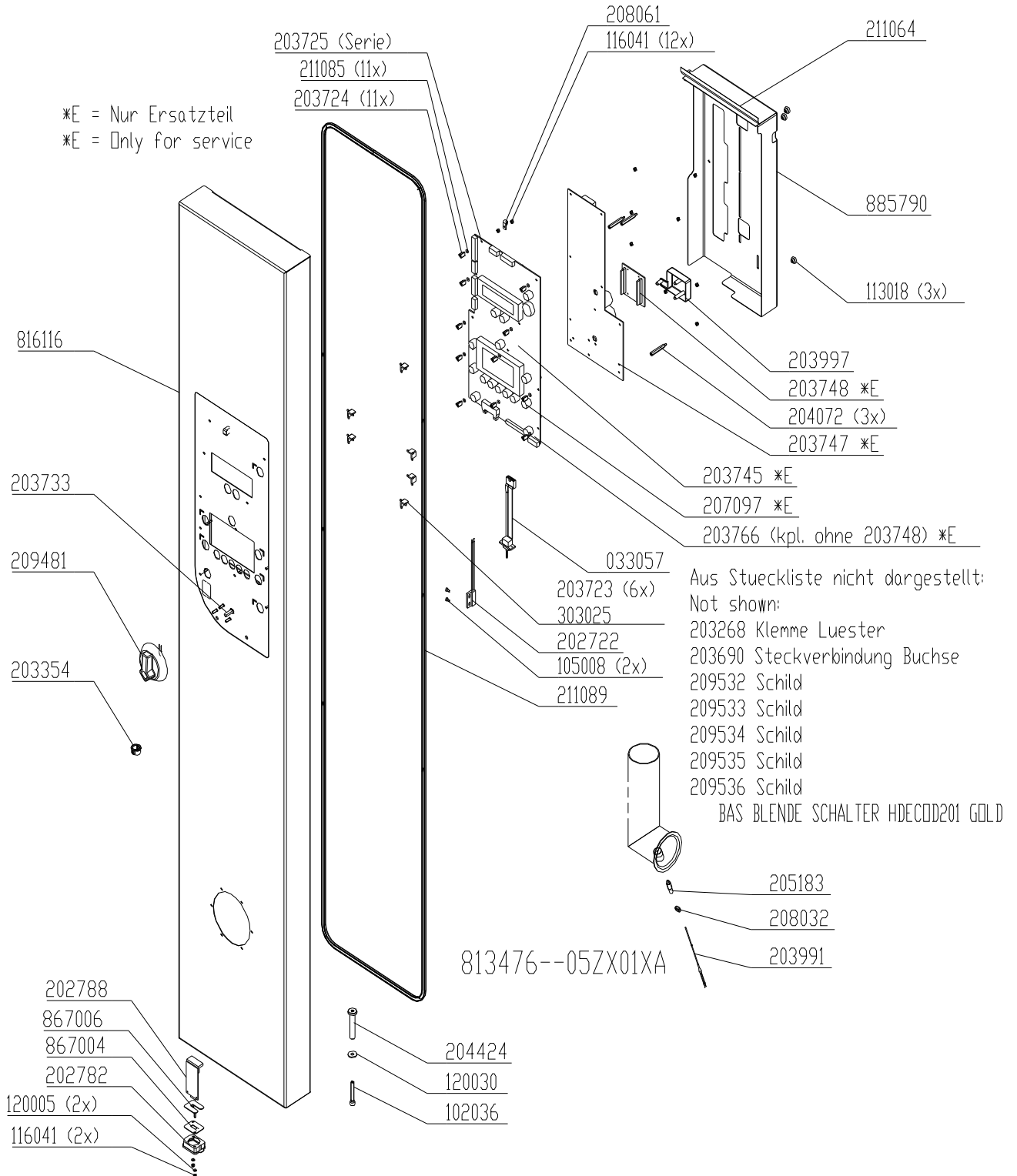
Exploded drawings 20.x

Electric & Gas

vsezip.ru

Front panel HD20.x Gold

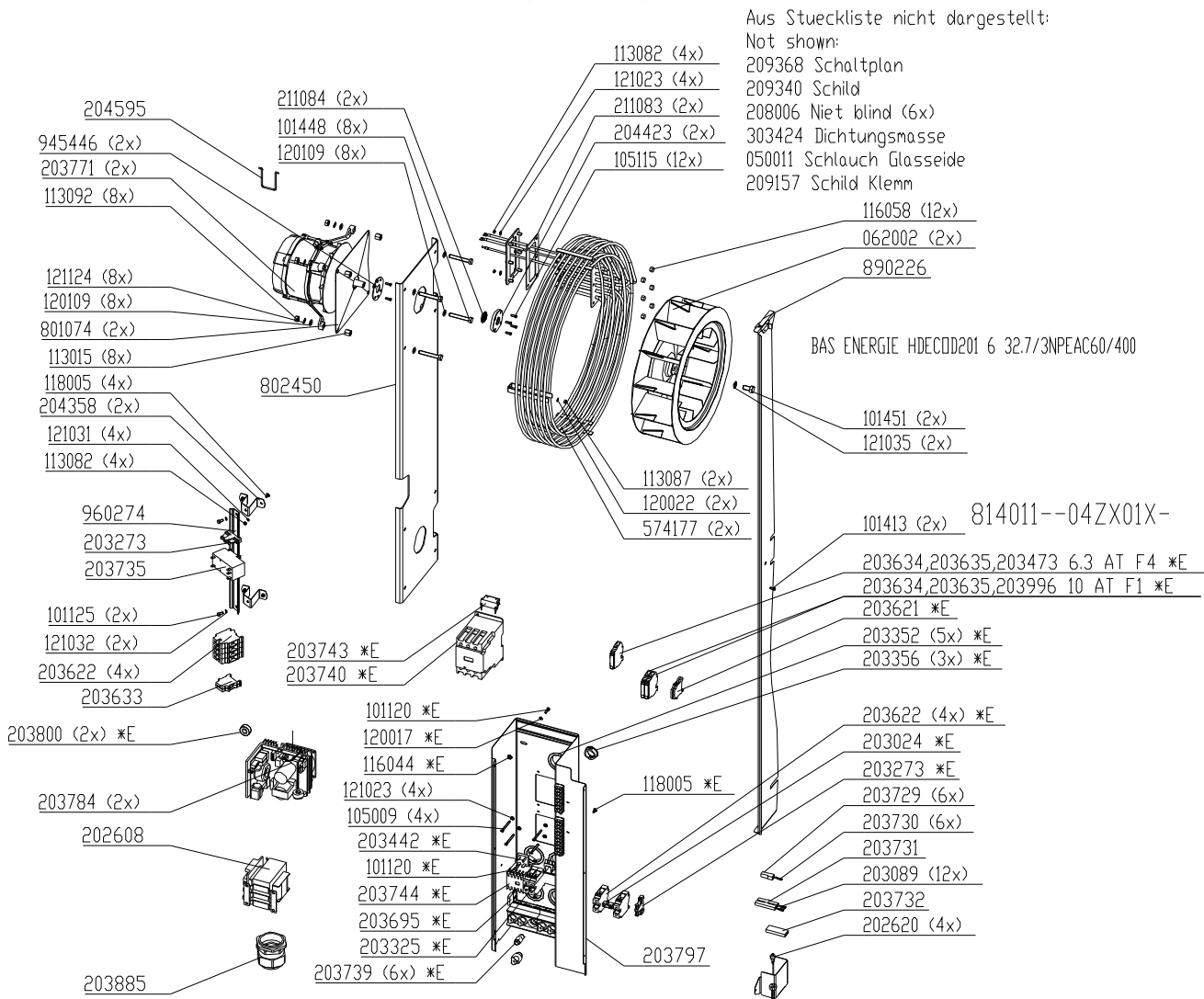
Valid from S/N 09021472 (July 2009) with USB port



Until S/N 09021471 with serial port #033023 instead of USB port

vsezip.ru
Elektrobaugruppe 3NPEAC 400V HD20.1

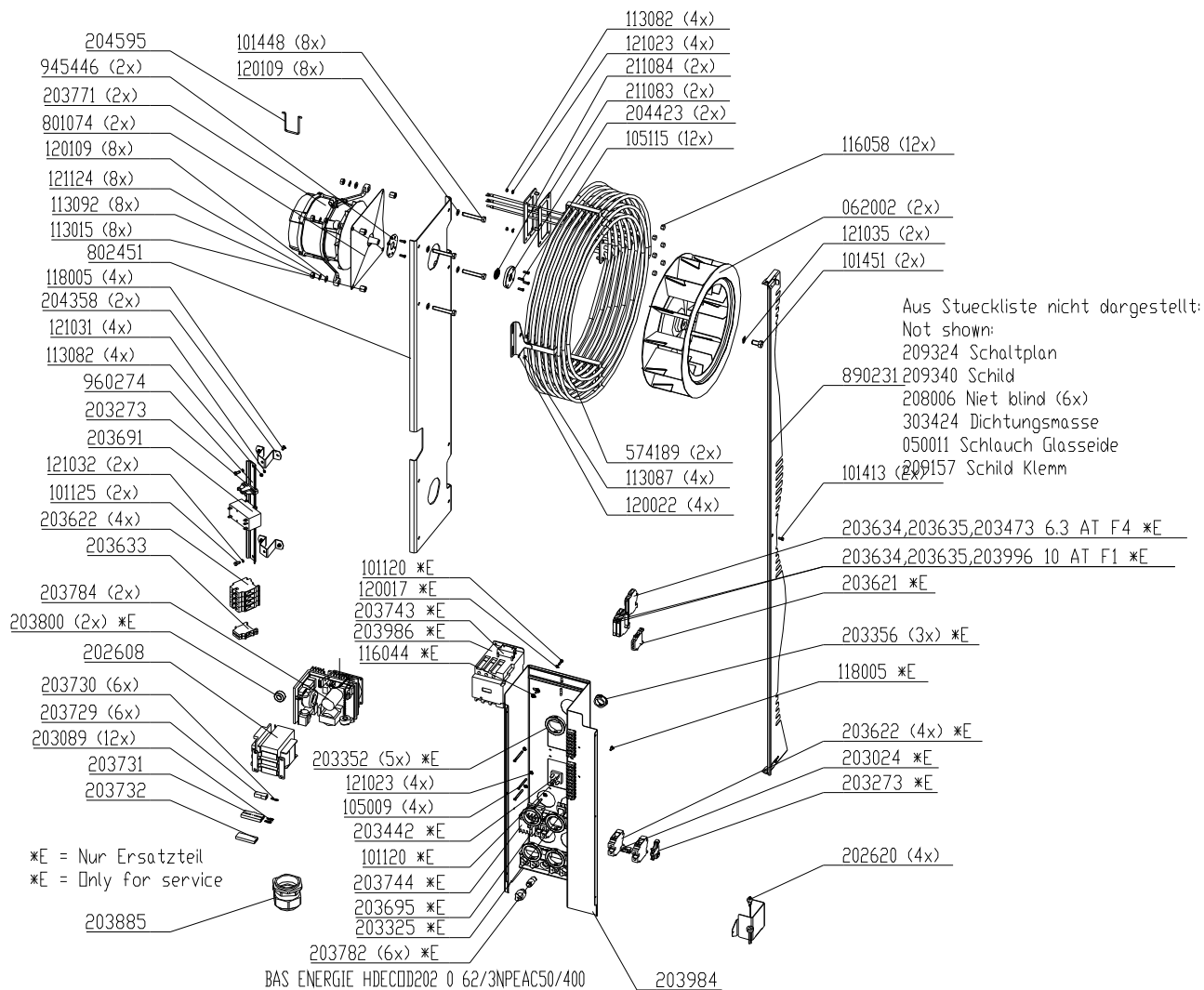
+7(812)987-08-81



Bis (until) S/N 08022075 (August2008) Transformator (transformer) #203818

vsezip.ru
Elektrobaugruppe 3NPEAC 400V HD20.2

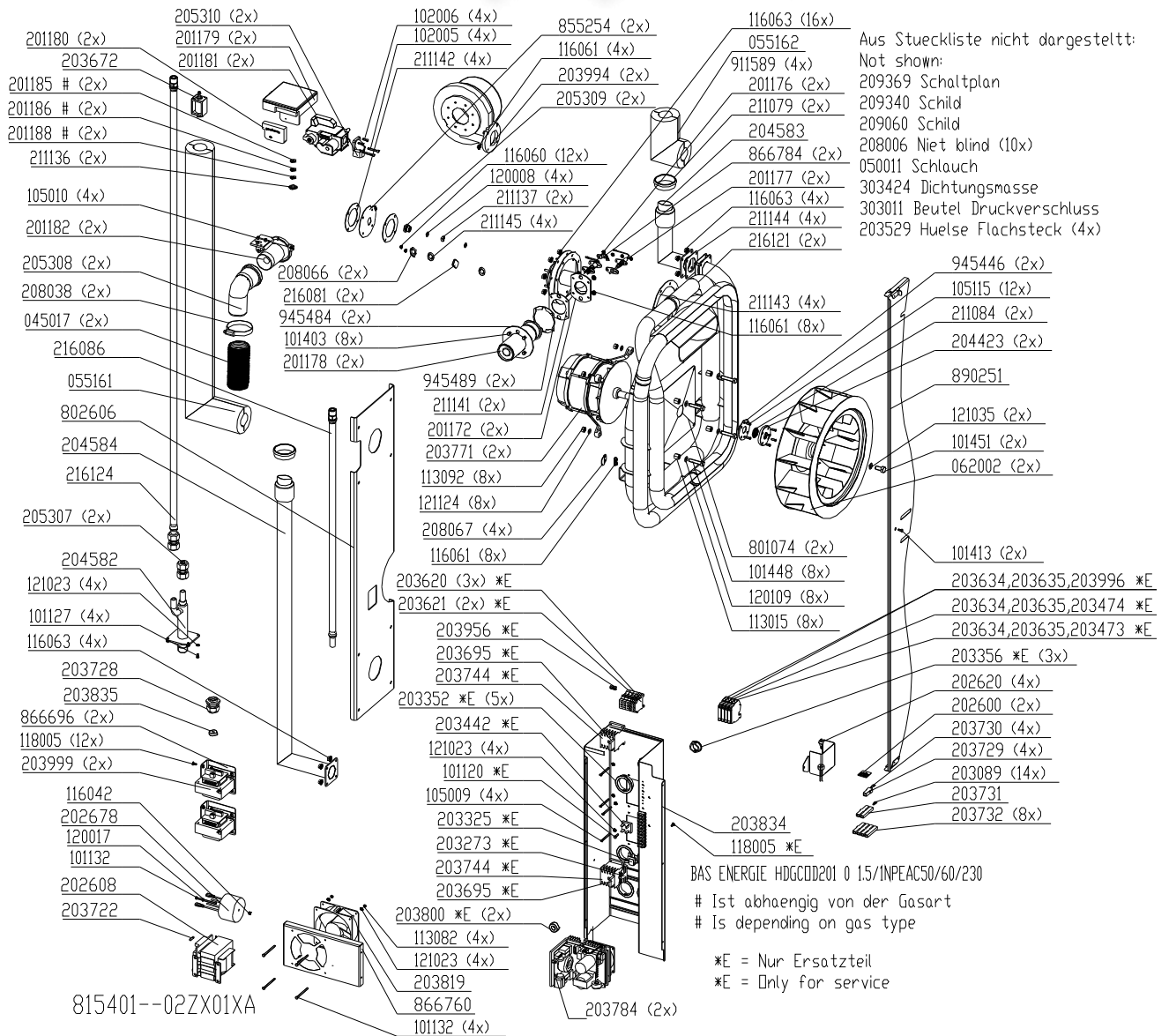
+7(812)987-08-81



Bis (until) S/N 08022075 (August2008) Transformator (transformer) #203818

vsezip.ru
Gas assembly HD20.1

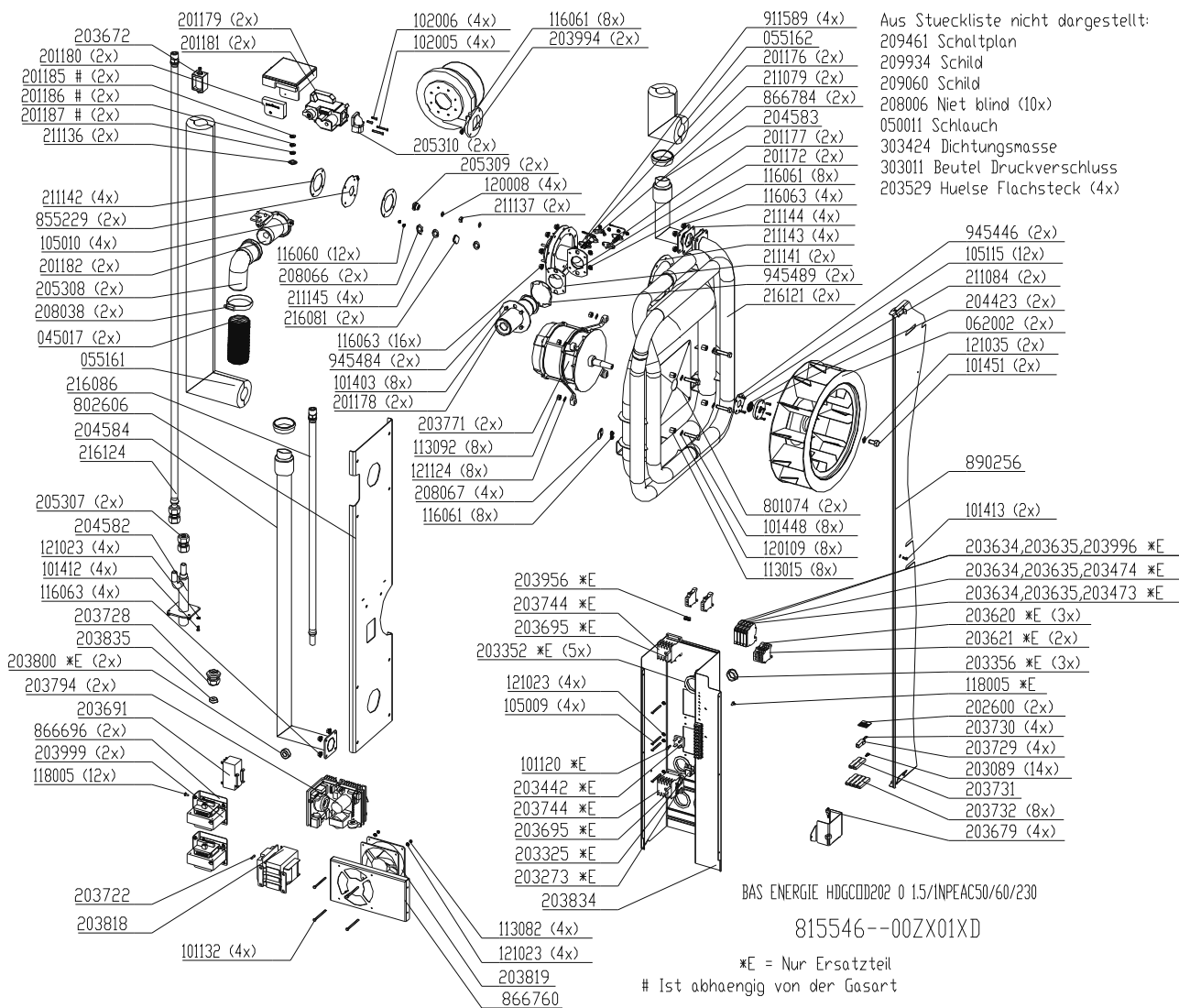
+7(812)987-08-81



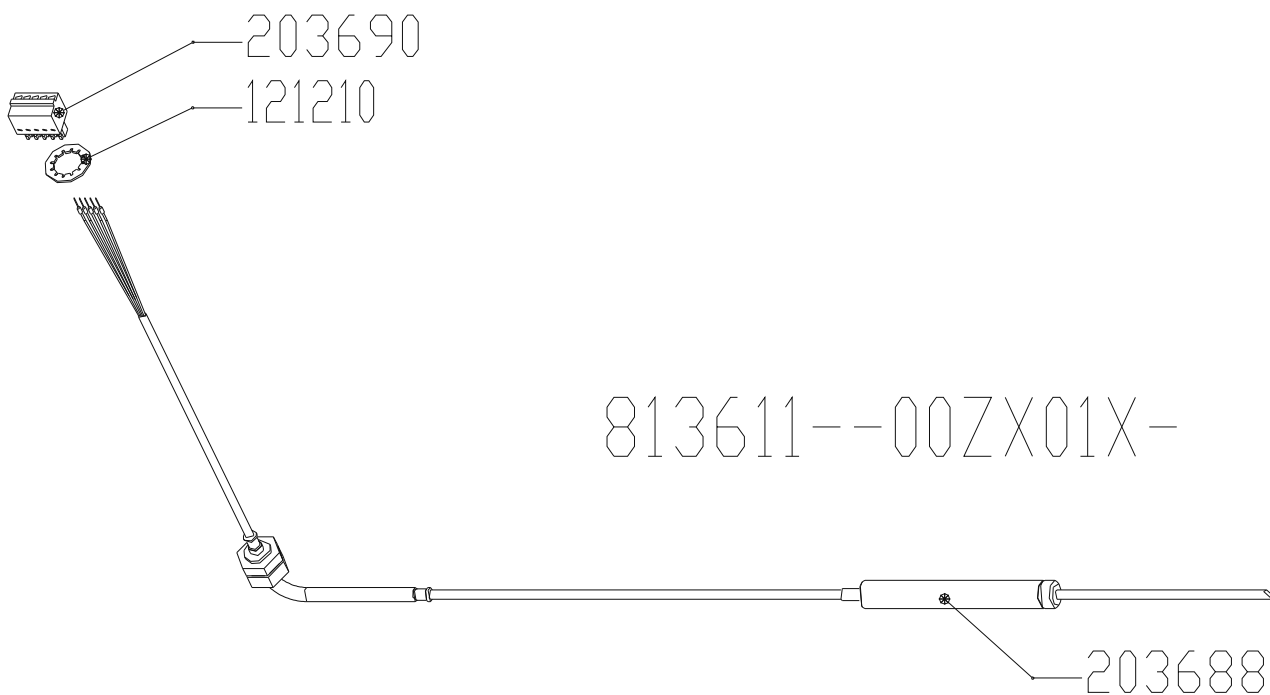
Bis (until) S/N 08022075 (August2008) Transformator (transformer) #203818

Bis (until) S/N 09020157: #216085 ersetzt durch (replaced by) #216121 & # 855254. Es müssen beide Teile ersetzt werden (Both parts must be replaced)!

vsezip.ru
Gas assembly HD20.2
 +7(812)987-08-81



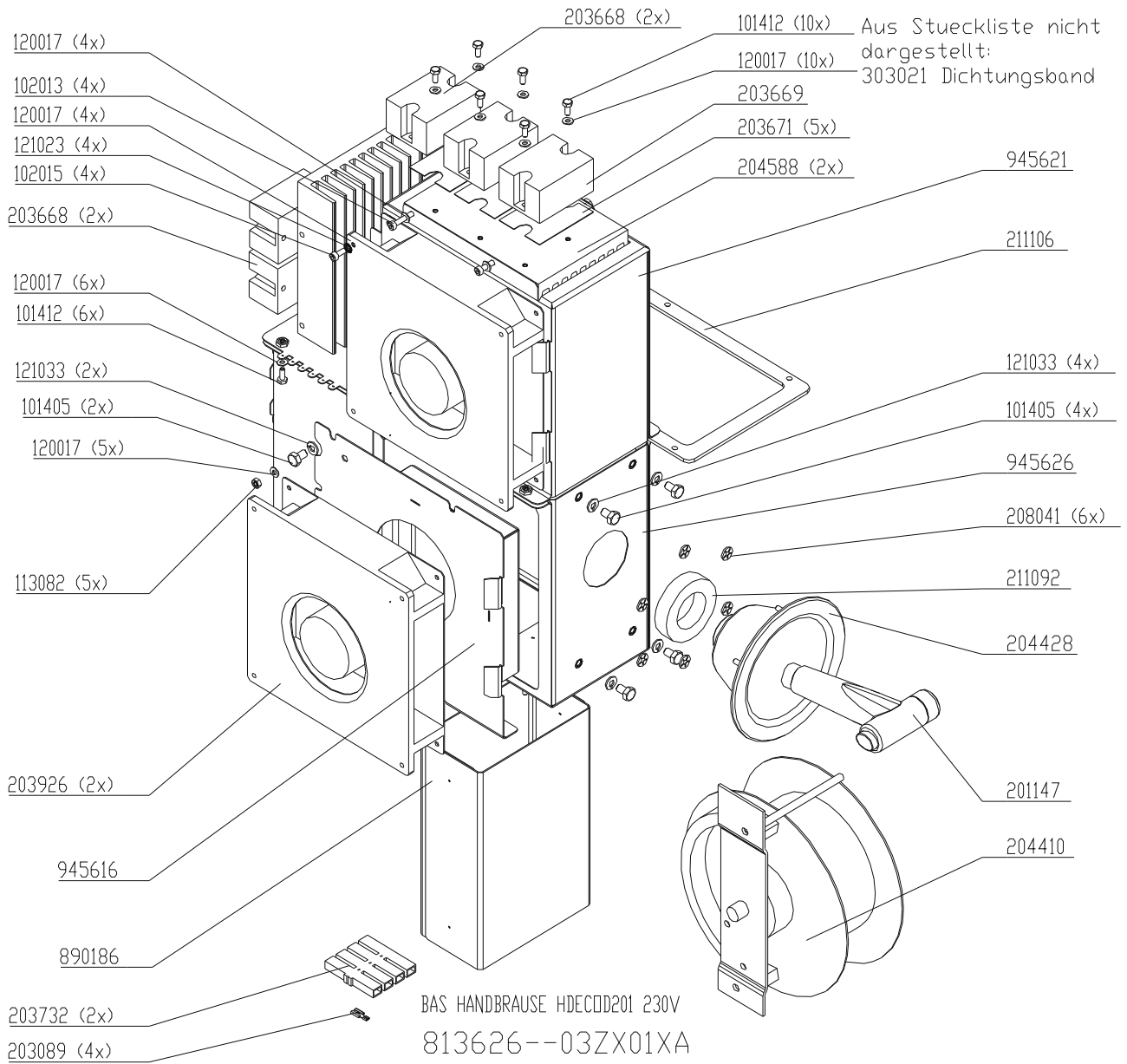
vsezip.ru
Core temperature probe HD20.x
+7(812)987-08-81



BAS FUEHLER HDECOD201 GOLD

vsezip.ru
Tube carrier box & handshower HD20.x (Electric)

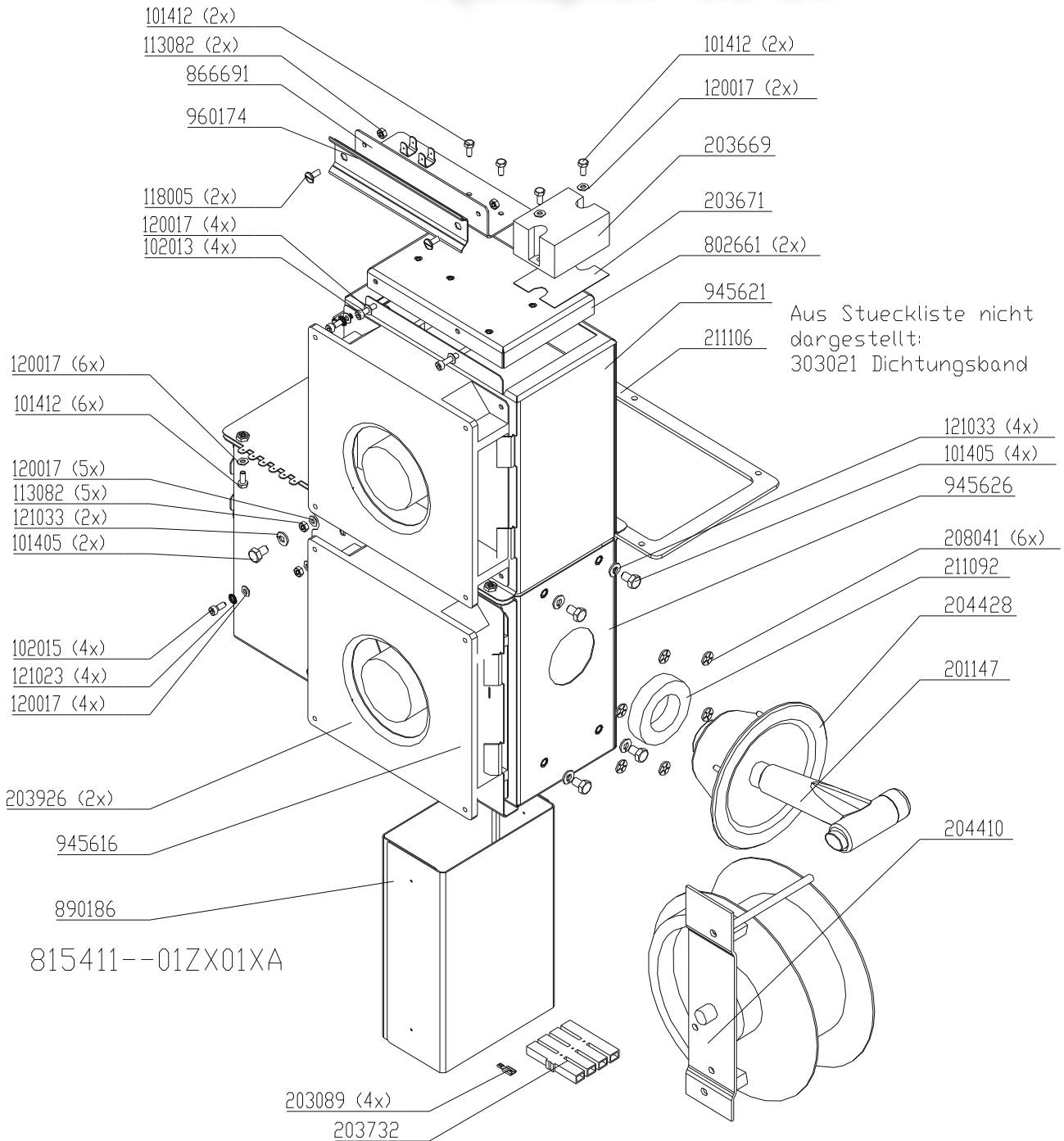
+7(812)987-08-81



vsezip.ru

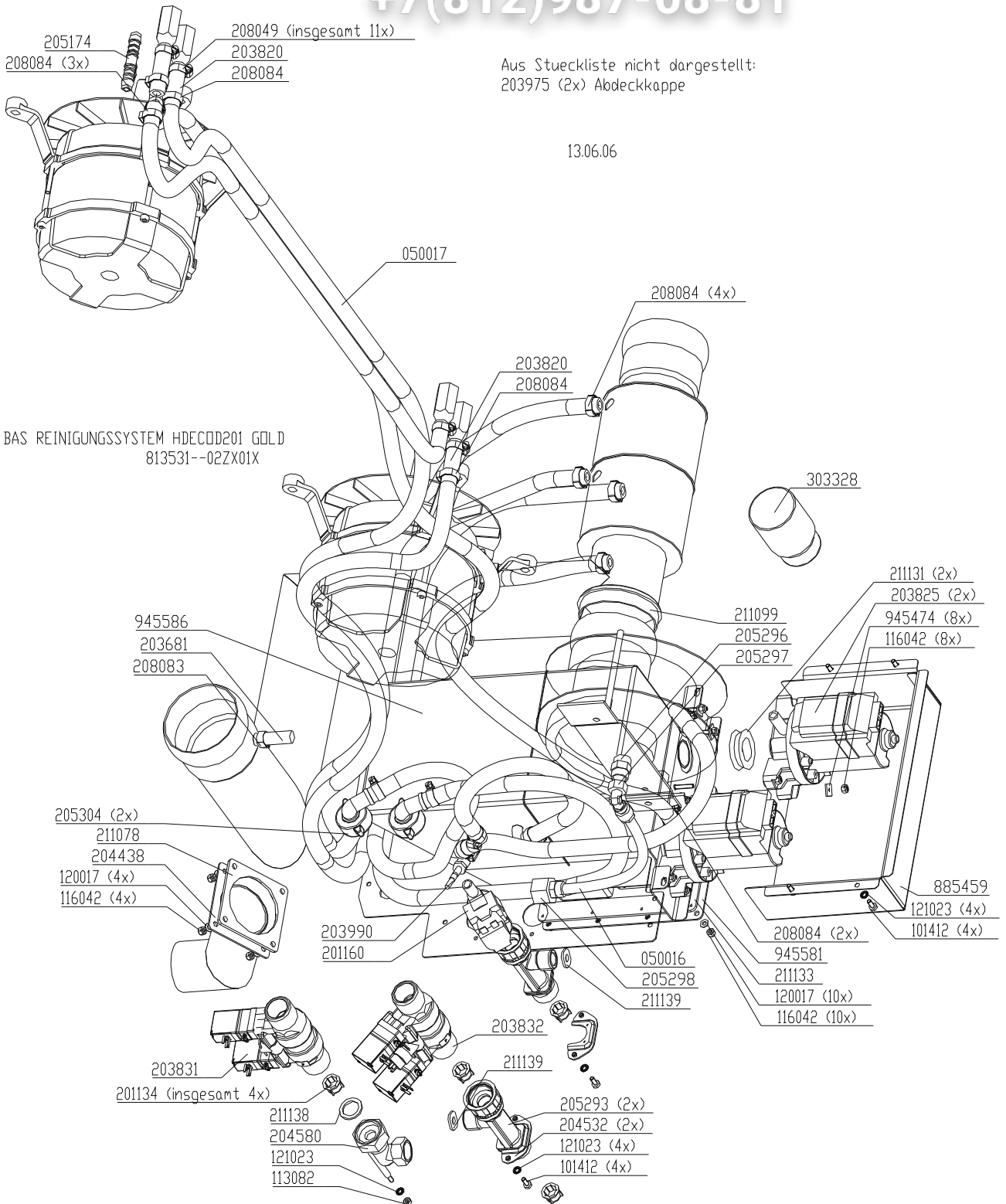
Tube carrier box & handshower HD20.x Gas

+7(812)987-08-81



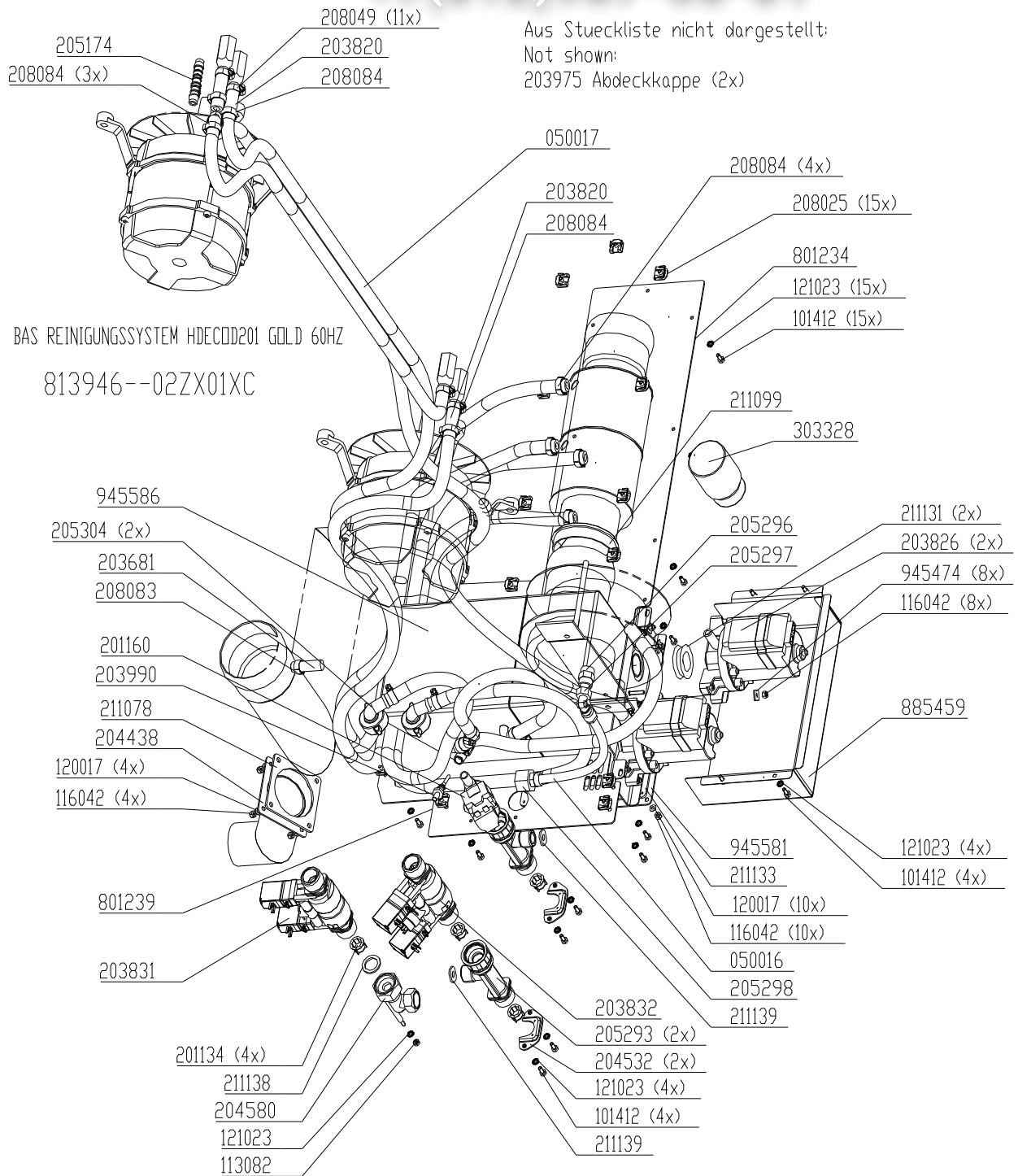
vsezip.ru
Water assembly 50Hz HD20.x

+7(812)987-08-81



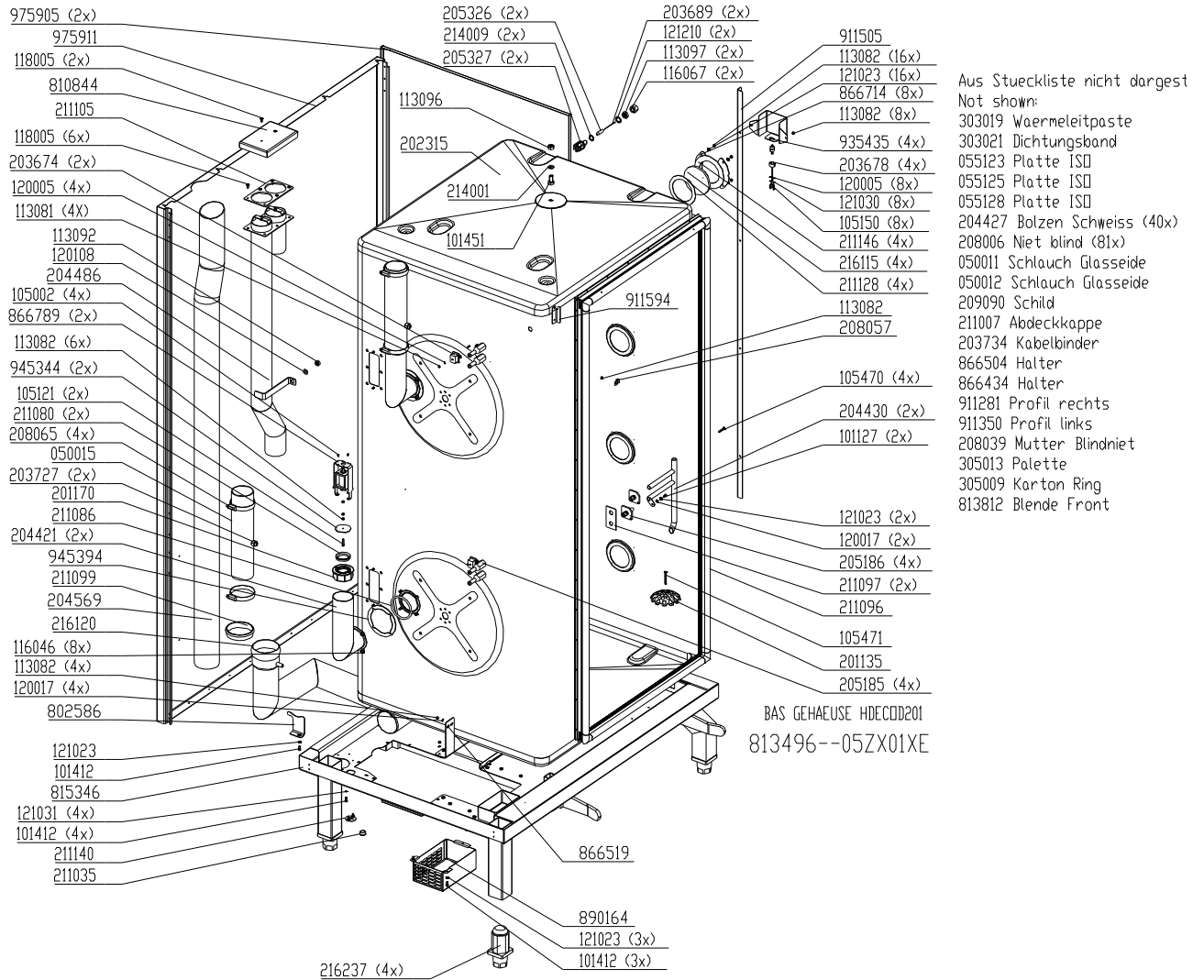
vsezip.ru
Water assembly 60Hz HD20.x

+7(812)987-08-81

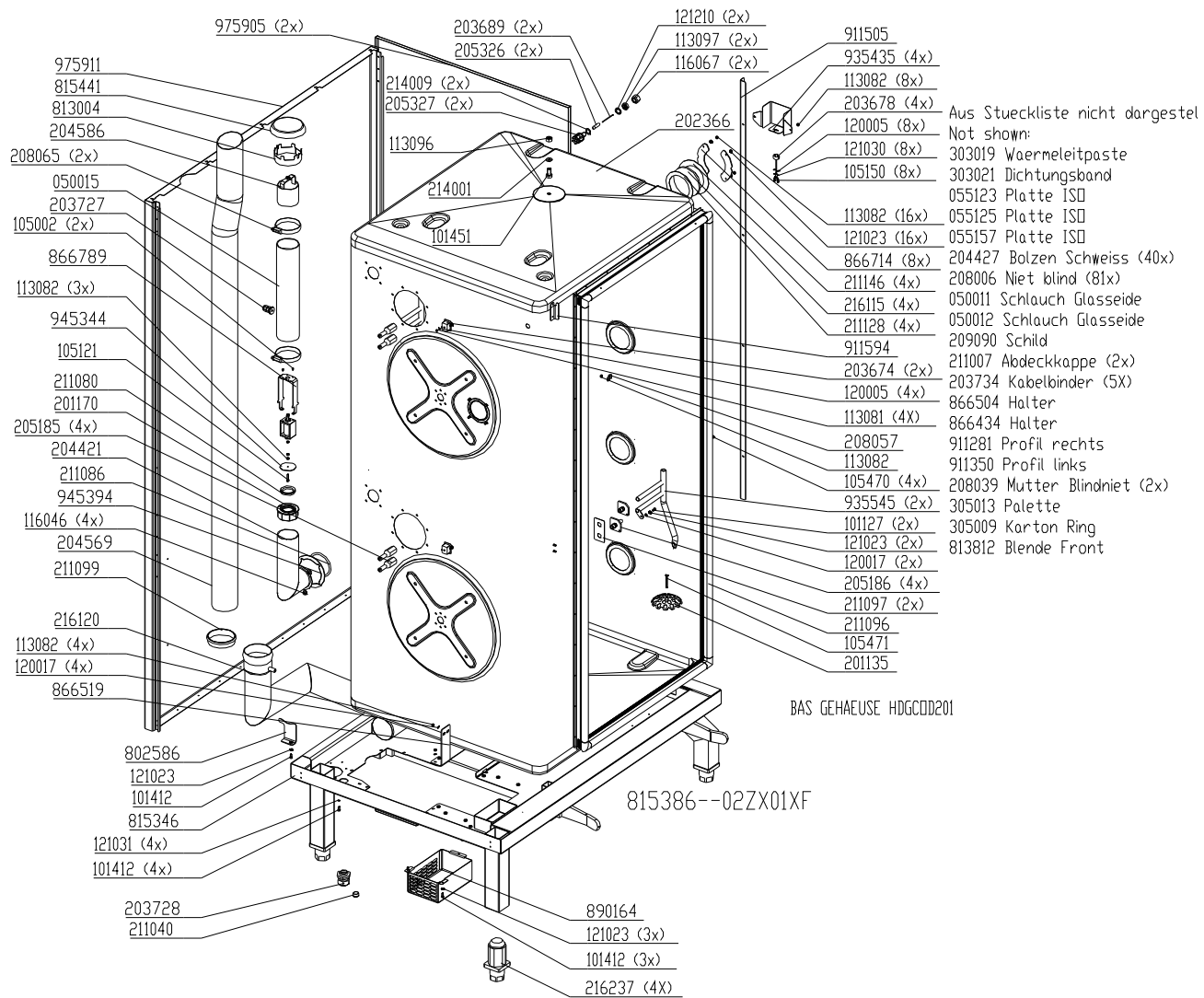


vsezip.ru
Chassis HD20.x (Electric)

+7(812)987-08-81

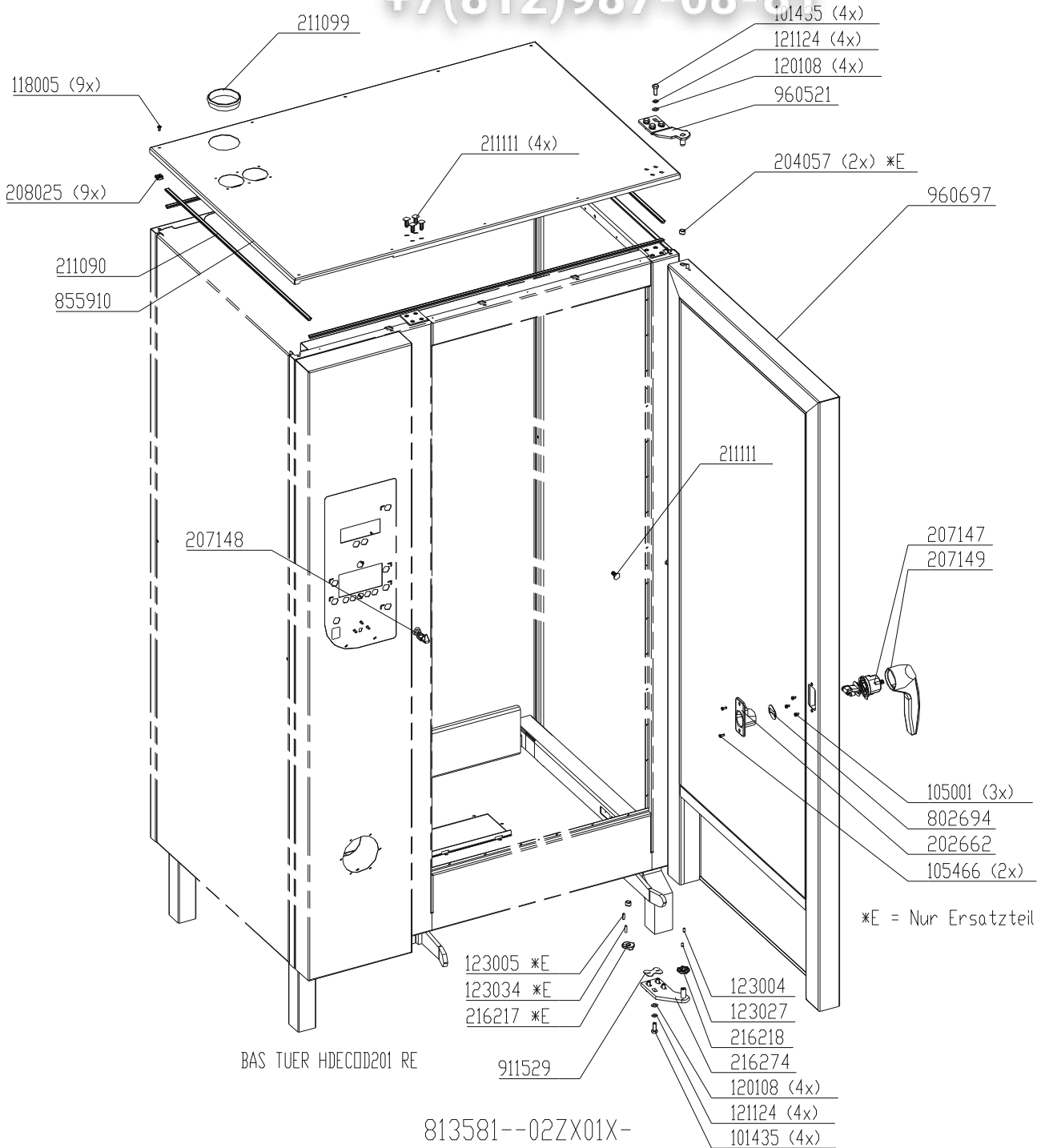


vsezip.ru
Chassis HD20.x (Gas)
 +7(812)987-08-81



vsezip.ru
Chassis door area HD20.x, right hand hinged (Electric)

+7(812)987-08-81

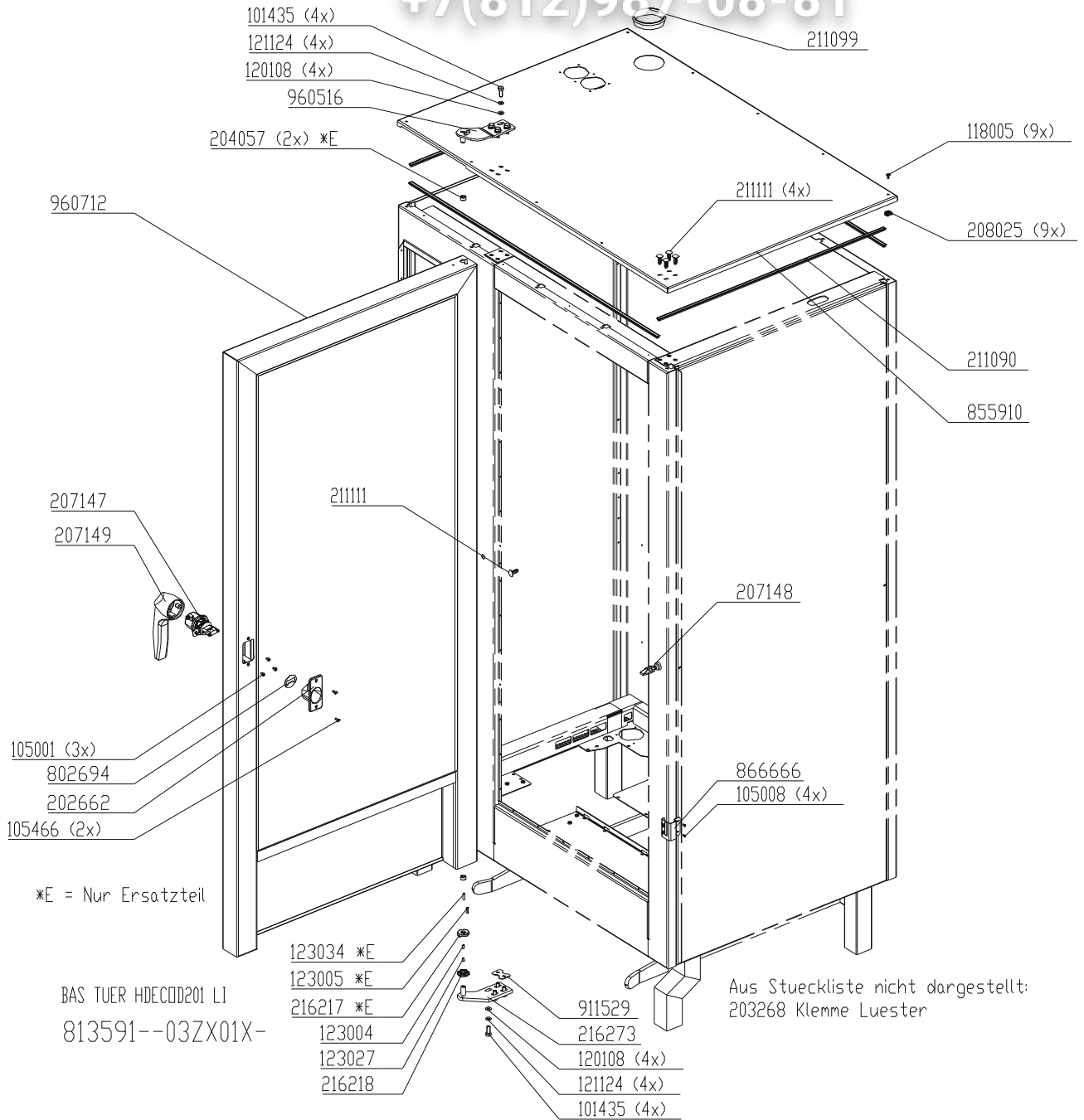


Until S/N 09021515: Profile door gasket #211104 (glued with Pactan)
 From S/N 09021516: Pluggable profile door gasket #211171

vsezip.ru

Chassis door area HD20.x, left hand hinged (Electric)

+7(812)987-08-81

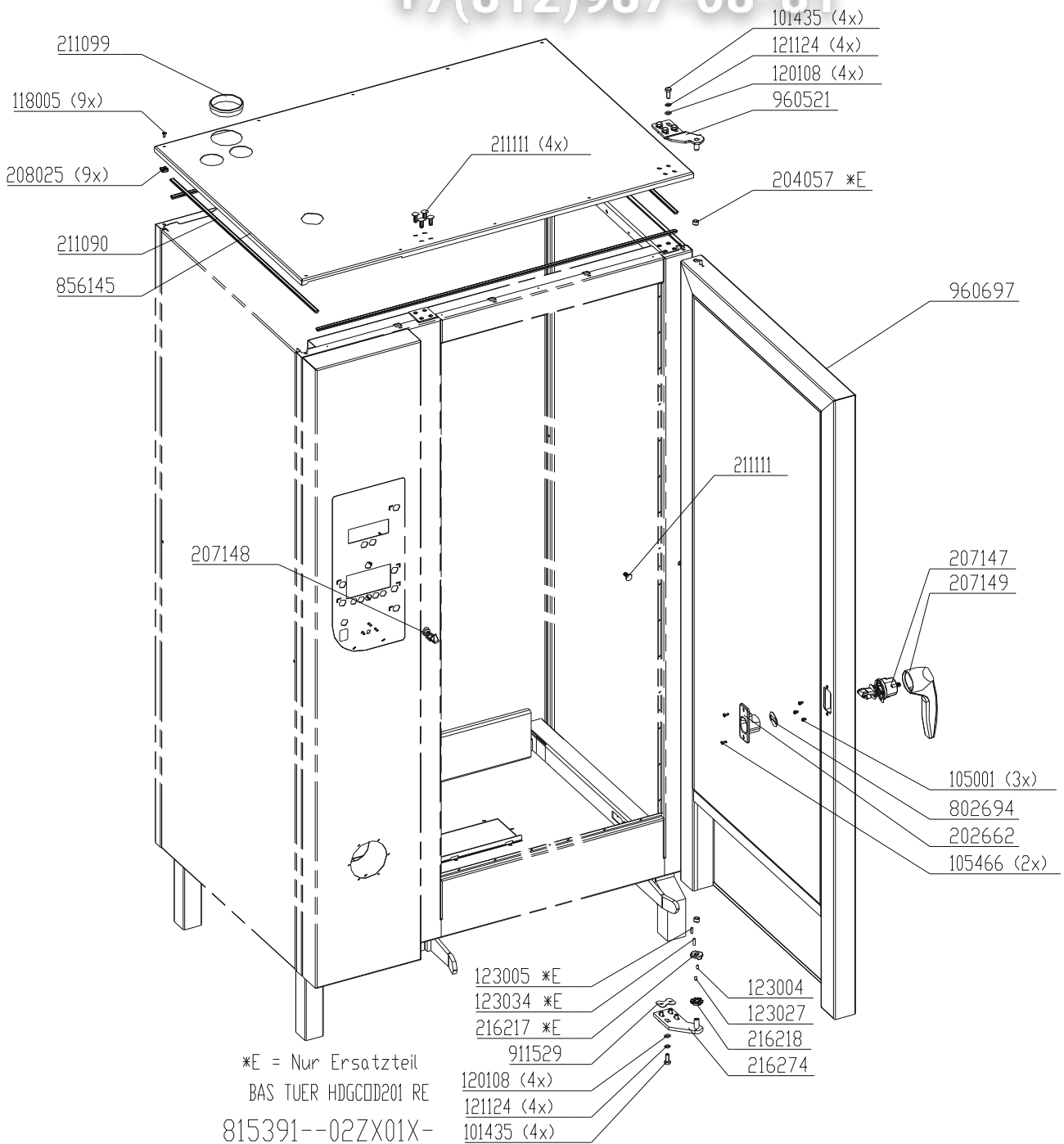


Until S/N 09021515: Profile door gasket #211104 (glued with Pactan)

From S/N 09021516: Pluggable profile door gasket #211171

vsezip.ru
Chassis door area HD20.x, right hand hinged (Gas)

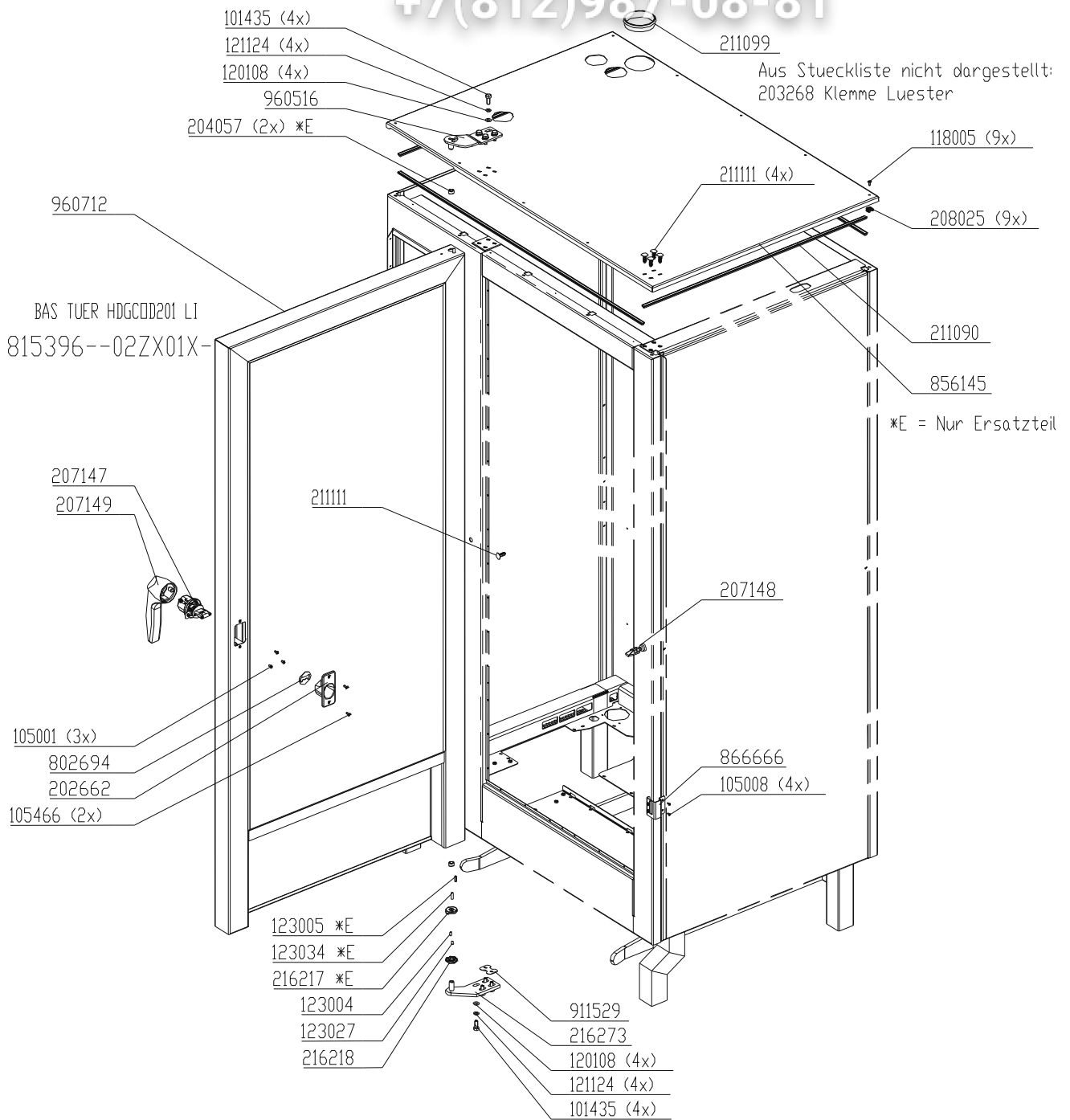
+7(812)987-08-81



Until S/N 09021515: Profile door gasket #211104 (glued with Pactan)
 From S/N 09021516: Pluggable profile door gasket #211171

Chassis door area HD20.x, left hand hinged (Gas)

vsezip.ru
+7(812)987-08-81



Until S/N 09021515: Profile door gasket #211104 (glued with Pactan)
From S/N 09021516: Pluggable profile door gasket #211171

MKN HansDampf Spare part list

| Part No. | Description | Bezeichnung |
|----------|---|---|
| 033023 | data cable HD6.x + HD10.x | Datenkabel 6.x, 10.x |
| 033042 | data cable HD20.x | Datenkabel 20.x |
| 033048 | Flat ribbon cable for HD Junior-Compact | Flachbandkabel HD Junior-Compact |
| 045017 | Flexible tube, 50mm diameter | Wellflexschlauch, 50mm Durchmesser |
| 050012 | meter fiber glass isolating tube; 10 mm; 230 °C | Glasseidenschlauch 10 mm; 230 °C |
| 050015 | silicon hose 60 x 2 mm | Silikonschlauch 60 x 2 mm |
| 050016 | polyamide hose 8 x 1 mm | Polyamidschlauch 8 x 1 mm |
| 050017 | silicon hose 9 x 3.2 mm | Silikonschlauch 9 x 3,2 mm mit Gewebeeinlage |
| 050024 | silicon hose 15 x 4,5 mm | Silikonschlauch 15 x 4,5 mm mit Gewebeeinlage |
| 055161 | flue pipe isolation 20.x | Rohrisolierung Abgas 20.x |
| 055162 | flue pipe isolation 10.x | Rohrisolierung Abgas 10.x |
| 055164 | flue pipe isolation 6.x | Rohrisolierung Abgas 6.x |
| 055166 | front laminate SmartCombi | Bedienfolie SmartCombi |
| 055171 | Front laminate Silver II, with radius | Bedienfolie Silver II, mit Radius |
| 055172 | Front laminate Hans Dampf Gold, with radius | Bedienfolie HansDampf Gold, mit Radius |
| 055173 | Front laminate HansDampf Silver Maxi | Bedienfolie HansDampf Silver Maxi II |
| 055174 | Front laminate Hans Dampf Gold Maxi, with radius | Bedienfolie HansDampf Gold Maxi, mit Radius |
| 055195 | Front laminate Junior Classic | Bedienfolie Junior Classic |
| 055196 | Front laminate Junior Professional | Bedienfolie Junior Professional |
| 055197 | Front laminate Compact Professional | Bedienfolie Compact Professional |
| 055198 | Front laminate Compact Classic | Bedienfolie Compact Classic |
| 062002 | fan wheel 350 mm | Lüfterrad 350 mm rund |
| 062005 | fan wheel 280 mm | Lüfterrad 280 mm rund |
| 062006 | fan wheel 175mm | Lüfterrad 175 mm rund |
| 101124 | hexagon screw M4 x 20 | Sechskantschraube M4 x 20 |
| 101127 | hexagon screw M4 x 8 | Sechskantschraube M4 x 8 |
| 101403 | screw M5 x 16 | Schraube M5 x 16 |
| 101412 | hexagon screw M4 x 10 | Sechskantschraube M4 x 10 |
| 101413 | hexagon screw M4 x 10, marine version | Sechskantschraube M4 x 10, Schiffsversion |
| 101435 | screw M8 x 20 | Schraube M8 x 20 |
| 101451 | hexagon screw M10 x 20 | Sechskantschraube M10 x 20 |
| 102005 | hexagon screw M4 x 30 | Sechskantschraube M4 x 30 |
| 102006 | hexagon screw M4 x 12 | Innensechskant-Schraube M4 x 12 |
| 105001 | raused countersunk head screw TORX M4 x 8 + spring washer | Linsenkopfschraube TORX M4 x 8 + Federring |
| 105008 | screw M3 x 6 | Schraube M3 x 6 |
| 105009 | screw M4 x 45 | Schraube M4 x 45 |
| 105010 | torx screw M5 x 12 | Torx-Schraube M5 x 12 |
| 105115 | cylinder head cap screw M4 x 12 | Zylinderkopfschraube M4x12 CrNi |
| 105466 | countersunk screw M4 x 12 | Flachkopfschraube M4 x 12 |
| 105487 | countersunk screw M5 x 45 | Senkschraube 55 x 45 |
| 113014 | Cage nut M4 | Käfigmutter M4 |
| 113017 | cage nut M10 | Käfigmutter M10 |
| 113018 | knurled nut M3 | Rändelmutter M3 |
| 113081 | hexagon nut M3 | Sechskantmutter M3 |
| 113082 | hexagon nut M4 | Sechskantmutter M4 |
| 113086 | hexagon nut M3 | Sechskantmutter M3 |
| 113087 | hexagon nut M5 | Sechskantmutter M5 |
| 113088 | hexagon nut M5 | Sechskantmutter M5 |
| 113089 | Cage nut M8 | Käfigmutter M8 |
| 113091 | hexagon nut M6 | Sechskantmutter M6 |
| 113092 | hexagon nut M8 | Sechskantmutter M8 |
| 113096 | hexagon nut M10 | Sechskantmutter M10 |
| 113097 | hexagon nut M12, flat | Sechskantmutter M12, flach |
| 116041 | Nut M3 | Sicherungsmutter M3 |
| 116058 | cap nut M6 | Hutmutter M6 |
| 116061 | catch nut M5 | Sperrzahn Mutter M5 |

MKN HansDampf Spare part list

| Part No. | Description | Bezeichnung |
|----------|---|---|
| 116063 | catch nut M6 | Sperrzahn Mutter M6 |
| 116064 | cap nut M10 | Hutmutter M10 |
| 116067 | cap nut M12, open | Hutmutter M12, geöffnet |
| 118005 | countersunk screw M4 x 10 | Flachkopfschraube M4 x 10 |
| 118009 | countersunk screw M5 x 16 | Flachkopfschraube M5 x 16 |
| 120005 | washer 3,2 mm | Unterlegscheibe 3,2 mm |
| 120007 | washer 12,5 mm | Unterlegscheibe 12,5 mm |
| 120008 | washer 7,4 mm | Unterlegscheibe 7,4 mm |
| 120017 | washer 4,3 mm | Unterlegscheibe 4,3 mm |
| 120019 | washer 17.2 mm | Unterlegscheibe 17,2 mm |
| 120022 | washer 5,3 mm | Unterlegscheibe 5,3 mm |
| 120027 | washer 6,4 mm | Unterlegscheibe 6,4 mm |
| 120030 | washer 6,4 mm | Unterlegscheibe 6,4 mm |
| 120108 | washer 8,4 mm | Unterlegscheibe 8,4 mm |
| 121023 | serrated washer 4,3 mm | Fächerscheibe 4,3 mm |
| 121030 | lock washer; 3 | Federring; 3 |
| 121031 | lock washer; 4 | Federring; 4 |
| 121032 | serrated washer 5 | Federring 5 |
| 121033 | lock washer; 6 | Federring; 6 |
| 121035 | lock washer; 10 | Federring; 10 |
| 121124 | locking washer M8 | Sicherungsscheibe M8 |
| 121125 | locking washer M5 | Sicherungsscheibe M5 |
| 121210 | lock washer 12,5 mm | Zahnscheibe 12,5 mm |
| 201134 | water inlet filter D 19,5 | Sieb für Wasserzulauf |
| 201135 | chamber drain sieve | Sieb für Garraumablauf |
| 201147 | hand shower | Handbrause |
| 201160 | solenoid valve 0,3-10 bar 5L/min | Magnetventil 3/4"; 0,3 - 10 bar |
| 201172 | gas burner connection 10.x | Brenneranschluß 10.x |
| 201174 | gas burner connection 6.x | Brenneranschluß 6.x |
| 201176 | glow igniter; 24 V | Glühelektrode, 24 V |
| 201177 | Ionisation electrode (flame control) | Ionisationselektrode (Flammenüberwachung) |
| 201178 | burner pipe 49,5 - 147,8 mm | Brennerrohr D 49,5 - 147,8 mm |
| 201179 | Ignition box 230 V; 50/60 Hz; 4 VA | Zündelektronik 230 V; 50/60 Hz; 4 VA |
| 201180 | Cover for ignition box | Abdeckkappe Zündelektronik |
| 201181 | solenoid gas valve R1/2"-R1/2"; 10-50 mbar; 230 V | Gas-Magnetventil R1/2"-R1/2"; 10-50 mbar; 230 V |
| 201182 | venturi mixed-tube | Venturi Mischrohr |
| 201185 | gas orifice 420 | Gasblende 420 |
| 201186 | gas orifice 565 | Gasblende 565 |
| 201187 | gas orifice 630 | Gasblende 630 |
| 201188 | gas orifice 650 | Gasblende 650 |
| 201188 | gas orifice 630 | Gasblende 630 |
| 201189 | gas orifice 470 | Gasblende 470 |
| 201190 | gas orifice 620 | Gasblende 620 |
| 201191 | gas orifice 720 | Gasblende 720 |
| 201194 | gas orifice 460 | Gasblende 460 |
| 201195 | gas orifice 680 | Gasblende 680 |
| 201202 | gas orifice 700 | Gasblende 700 |
| 201203 | gas orifice 620 | Gasblende 620 |
| 201225 | chamber drain sieve | Sieb für Garraumablauf |
| 201229 | gas orifice 590 | Gasblende 590 |
| 201230 | gas orifice 580 | Gasblende 580 |
| 202107 | collecting tray | Auffangwanne am Gerät |
| 202108 | door-collecting tray | Auffangwanne an der Tür |
| 202125 | Door collecting tray for double glazing cabinet door 6.x / 10.x Silver2 | Tür-Auffangwanne (komplett) für Garraumtür mit Zweifachverglasung Silver2 |
| 202128 | Keyboard pcb Junior - Compact Classic | Tastaturplatine HD Junior-Compact Classic |
| 202129 | collecting tray (chassis) Junior / Compact | Auffangwanne (Gehäuse) Junior / Compact |

MKN HansDampf Spare part list

| Part No. | Description | Bezeichnung |
|----------|--|--|
| 202600 | Gas signal pcb | Signalplatine der Zündelektronik |
| 202601 | pressure switch | Druckschalter 2 A; 42 V; 1 bar |
| 202610 | terminal block for earth lead 95 mm ² | Reihenblock für Schutzleiter 95 mm ² |
| 202611 | terminal block 95 mm ² | Reihenklemme 95 mm ² |
| 202620 | halogen lamp 10W; 12V | Halogenlampe G4; 10 W; 12V |
| 202643 | fuse 10A, 600V | Feinsicherung 10 A; 600 V |
| 202662 | Cap for door lock | Abdeckkappe Türverschluß |
| 202673 | fan motor 400V 50/60 Hz, contactor controlled | Motor 400V 50/60Hz, Schütz gesteuert |
| 202676 | Control pcb HansDampf Silver II | Steuerplatine HansDampf Silver II |
| 202677 | screwed cable gland M32 | Kabelverschraubung M32 |
| 202689 | connector with 50 pin | Steckverbinder 50 polig |
| 202690 | Keyboard pcb HansDampf Silver II | Tastaturplatine HansDampf Silver II |
| 202695 | distance piece | Abstandshalter |
| 202698 | Gas and communication pcb Silver II | Gas- und Kommunikationsplatine HansDampf Silver II |
| 202701 | connector with 20 pin | Steckverbinder 20 polig |
| 202722 | reed contact switch | Reedkontaktschalter 0,5 A; 240 V |
| 202726 | CR2477N Lithium battery 3V | CR2477N Lithium Batterie 3V |
| 202734 | Transformer 100VA | Steuertrafo 100VA |
| 202738 | Core temperature probe HD Compact | Kerntemperaturfühler HD Compact |
| 202739 | water steaming unit with pressure switch 3ml | Beschwädungseinheit mit Druckschalter 3ml |
| 202742 | Capacitor 4µF 405V | Kondensator 4µF 405V |
| 202745 | Motor HD Junior Compact 200-240V 56/60Hz | Motor HD Junior Compact 200-240V 56/60Hz |
| 202755 | Distance piece 16 x 12,5 | Abstandsrolle 16 x 12,5 |
| 202775 | Buzzer 5-28V DC | Summer 5-28V DC |
| 203028 | reed contact switch | Reedkontaktschalter 0,5 A; 240 V |
| 203089 | panel socket 6,3 A; 1,5 - 2,5 mm ² ** | Flachsteckhülse |
| 203257 | snap through-bearing 20,4 mm diameter | Schnappdurchführung LD 20,4 |
| 203273 | terminal end block | Reihenendklemme |
| 203325 | Buzzer 230V | Summer 230V |
| 203354 | snap through-bearing 17,5 mm diameter ** | Schnappdurchführung LD 17,5 |
| 203442 | rectifier 420 V, 10 A | Gleichrichter 420 V; 10 A |
| 203452 | centre nozzle for 20,4 mm diameter | Schnapp-Zentriertülle für 20,4 mm Durchmesser |
| 203457 | Power connection terminal | Netzanschlußklemme 5polig |
| 203473 | fuse; 6,3 A T; 20 x 5 mm (slow blow) | Feinsicherung 6,3 A; Träge |
| 203529 | panel socket | Flachsteckhülse 2,8 x 0,5 - 1 |
| 203622 | terminal block 35 mm ² | Reihenblock 35 mm ² |
| 203633 | terminal block for earth lead 35 mm ² | Reihenblock für Schutzleiter 35 mm ² |
| 203634 | terminal block for fine-wire fuse | Reihenblock für Feinsicherung |
| 203635 | plug for fine-wire fuse 6,3 A, 250 V | Stecker für Feinsicherung 6,3 A; 250 V |
| 203667 | cap for door lock | Abdeckkappe für Türverschluß |
| 203668 | solid state relay 100A, | Halbleiterrelais 100 A |
| 203669 | solid state relay 10A | Halbleiterrelais 10 A |
| 203671 | thermally conductive slide for SSR | Wärmeleitfolie für Relais |
| 203672 | lift magnet | Hubmagnet 205 V; 7 mm |
| 203674 | safety limit switch | Begrenzer 315 |
| 203675 | Contactactor 32 A 230 V | Schutz 32 A 230 V |
| 203678 | holder for halogen lighting | Lampenfassung |
| 203679 | halogen lamp G4; 12V; 20 W | Halogenlampe G4; 12V; 20 W |
| 203681 | cap 9,6 - 30 mm | Abdeckkappe 9,6 - 30 mm |
| 203683 | RC-combination 220NF 220Ohm 250V | RC-Kombination 220NF 220Ohm 250V |
| 203688 | core temperature control probe HD20.x | Kerntemperaturfühler HD20.x |
| 203689 | temperature probe | Temperaturfühler |
| 203693 | temperature probe | Temparturfühler |
| 203695 | RC-combination 88NF 100Ohm 275V | RC-Kombination 88NF 100Ohm 275V |
| 203697 | core temperature control probe HD 6.2x - HD10.x | Kerntemperaturfühler HD 6.x - HD10.x |
| 203698 | RC-combination 2200NF 220Ohm 240V | RC-Kombination 2200NF 220Ohm 240V |

MKN HansDampf Spare part list

| Part No. | Description | Bezeichnung |
|----------|--|---|
| 203722 | fuse 1,25 A slow, 20 x 5 mm | Feinsicherung 1,25 A Träge; 20x5 mm |
| 203724 | distancing bush | Abstandsrolle 6,5 x 3,3 - 10,5 mm |
| 203731 | Connector 2 x 6,3mm, female | Steckverbinder 2x 6,3mm, weiblich |
| 203733 | push button (CombiPilot) | Taster (CombiPilot) |
| 203737 | Cap for door lock HD Junior-Compact | Abdeckkappe Türverschluß HD Junior-Compact |
| 203739 | fuse; 35A | Sicherung 35 A |
| 203743 | RC-combination 333NF 10Ohm 240V | RC-Kombination 333 NF 10 Ohm 240V |
| 203745 | keyboard pcb 6.x - 20.x gold | Tastaturplatine HD 6.1 - 20.2 Gold |
| 203747 | relay pcb for Combisteamer 6 | Relaisplatine Combidämpfer |
| 203750 | screwed cable gland M50 | Kabelverschraubung M50 |
| 203766 | keyboard and relay pcb 6.x - 20.x gold | Tastatur- und Relaisplatine 6.x - 20.x Gold |
| 203771 | fan motor 240V frequency controlled | Motor 240 V; frequenzgesteuert |
| 203782 | fuse; 50A | Sicherung 50A |
| 203790 | Keyboard pcb HD Junior-Compact | Tastaturplatine HD Junior-Compact |
| 203794 | frequency controller 342 - 528 V, 3 phase | Frequenzumrichter 342 - 528V 3-phasig |
| 203818 | transformer 162 VA | Steuertrafo 162 VA |
| 203819 | Axial fan 230V; 120 x 120 x 38mm | Axial-Ventilator 22 W; 230 V; 120x120x38 |
| 203820 | distancing bush 9.5 x 2.5 | Abstandsrolle 9,5 x 2,5 - 15 mm |
| 203825 | pump 35 l; 40 W; 230 V; 50 Hz | Pumpe 35 l; 40 W; 230 V; 50 Hz |
| 203826 | pump 35 l; 45 W; 208 - 240 V; 60 Hz | Pumpe 35 l; 45 W; 208 - 240 V; 60 Hz |
| 203831 | water steaming unit without pressure switch | Beschwadungseinheit ohne Druckschalter |
| 203832 | water steaming unit with pressure switch 7ml | Beschwadungseinheit mit Druckschalter 7ml |
| 203835 | reduction for screwed cable gland M25 | Reduziererring für Kabelverschraubung M25 |
| 203885 | screwed cable gland M63 | Kabelverschraubung M63 |
| 203926 | axial fan 20 W; 230 V; 180 x 180 mm | Axiallüfter 20 W; 230 V; 180 x 180 mm |
| 203985 | Contactora 50A 230 V | Schuetz 50A 230 V |
| 203986 | Contactora 125A, 230V | Schuetz 125 A, 230 V |
| 203990 | temperature probe | Temperaturfühler |
| 203991 | temperature probe | Temperaturfühler |
| 203994 | gas blower 50/60 Hz; 100 W; 230 V | Gasgebläse 50/60 Hz; 100 W; 230 V |
| 203996 | fuse 10 AT, 20 x 5 mm (slow blow) | Feinsicherung 10 A; Träge |
| 203997 | cap for electronic pcb | Abdeckkappe für Platine |
| 203998 | Safety limit switch 285 °C | Begrenzer 285 °C |
| 203999 | transformer 52,8V A | Steuertrafo 52,8 VA |
| 204072 | bolt 6KT; M3; I/A; 35 mm | Sechskantbolzen; M3; 35 mm lang |
| 204156 | hexagon head bolt; M3, 17mm long | Sechskantbolzen; M3; 17 mm lang |
| 204410 | tube carrier incl. Tube | Schlauchaufroller inkl. Schlauch |
| 204416 | closing clip for tray | Wannenverschluß |
| 204421 | fresh air supply elbow | Zuluftrohrwinkel |
| 204423 | Arrest washer for shaft sealing | Arretierscheibe für Wellendichtung |
| 204428 | spout for shower | Tülle für Schlauchbrause |
| 204429 | Cartridge holder | Kartuschenhalter |
| 204430 | water supply pipe HD6.x - HD20.x | Wasserzulaufrohr HD6.x - HD20.x |
| 204530 | Jack 10 x 8 x 5,5 | Bundbuchse 10 x 8 x 5,5 |
| 204532 | mounting plate for solenoid valve | Halter für Magnetventil |
| 204547 | Vuckler for trolley collecting tray | Stopfen für Auffangwanne |
| 204561 | adjustable foot | Gerätefuss |
| 204588 | heat sink | Kühlkörper |
| 204591 | pipe connection 3/4" 20.x | Rohranschluß 3/4" 20.x |
| 204592 | pipe connection 3/4" 6.x 10.x | Rohranschluß 3/4" 6.x 10.x |
| 204615 | Bracket for door tray #202125 | Verschlußbügel für Türinne #202125 |
| 204633 | Arrest washer for shaft sealing | Arretierscheibe für Wellendichtung |
| 204636 | Protection box for pump | Schutzkasten für Pumpe |
| 205174 | T-piece 10 x 10 x 10 | T-Stück 10 x 10 x 10 mm |
| 205183 | probe screwing | Fühlerverschraubung |
| 205184 | probe screwing | Fühlerverschraubung |
| 205185 | sleeve M12A - 7 A | Übergangsmuffe M12A - 7 A |

MKN HansDampf Spare part list

| Part No. | Description | Bezeichnung |
|----------|---|--|
| 205186 | sleeve M12A - 10 A | Übergangsmuffe M12A - 10 A |
| 205293 | distributor 2 x 3/4"; 1/2" | Verteilerstück 2 x 3/4"; 1/2" |
| 205297 | hose fitting bracket | Schlauchverschraubung 1/4" außen; Winkel |
| 205298 | hose fitting 1/2" - 10/8" | Schlauchverschraubung 1/2" - 10/8" |
| 205304 | hose fitting bracket 3/4" | Schlauchverschraubung 3/4" außen; Winkel |
| 205308 | bow for intake fitting | Bogen für Ansaugstutzen DN 50 |
| 205310 | 90° Bracket 1/2" | 90 Grad Winkel 1/2" |
| 205320 | Hose fitting G3/4" | Schlauchverschraubung G3/4" |
| 205326 | Teflon probe fitting | Teflon Fühlerverschraubung |
| 205327 | Protection basket for chamber probe | Schutzkorb fürGarraumfühler |
| 207089 | door handle | Türgriff |
| 207090 | door catch; one notch | Verschlußkloben; 1 Raste |
| 207091 | safety door catch; two notches | Verschlußkloben; 2 Ratsen |
| 207092 | door latch 6.x - 10.x | Türverschluß HD6.x - HD10.x |
| 207094 | door latch 20.x | Türverschluß HD20.x |
| 207101 | Exzenter for door lock | Exzenter für Türverschluß |
| 207102 | Door handle for HD Junior-Compact | Türgriff für HD Junior-Compact |
| 207103 | Door catch Junior-Compact | Verschlußkloben HD Junior-Compact |
| 207147 | Comfort door latch 20.x | Comfort Türverschluss 20.x |
| 207148 | Door catch 20.x for comfort door latch #207147 | Verschlußkloben HD20.x für Comfort Türverschluß #207147 |
| 207149 | Door handle 20.x for comfort door latch #207147 | Türgriff HansDampf 20.x für Comfort Türverschluß #207147 |
| 207186 | Cap for keyboard pcb Silver II | Taste für Tastaturplatine Silver II |
| 208025 | snap nut M4 | Schnappmutter M4 |
| 208049 | hose clip 12 - 20 mm | Schlauchschele 12 - 20 |
| 208057 | clip for probe LD6; lapped in | Spannschele 6 mm |
| 208065 | hose clip 50 - 70 mm | Schlauchschele 50 - 70 |
| 208066 | holder for burner glas | Halter für Brennerschauglas |
| 208083 | hose clip 11,5 - 14 mm | Schlauchschele 11,5 - 14 mm |
| 208084 | hose clip 14,8 - 18 mm | Schlauchschele 14,8 - 18 mm |
| 209175 | knob for HansDampf Silver 2 / Classic | Knebel HansDampf Silver 2 / Classic |
| 209283 | label MKN | Klebeschild MKN-Raute |
| 209295 | label MKN | Klebeschild MKN-Raute |
| 209532 | label B1 for probe | Steckschild B1 für Temperaturfühler |
| 209533 | label B2 for probe | Steckschild B2 für Temperaturfühler |
| 209534 | label B3 for probe | Steckschild B3 für Temperaturfühler |
| 209535 | label B4 for probe | Steckschild B4 für Temperaturfühler |
| 209536 | label B5 for probe | Steckschild B5 für Temperaturfühler |
| 211007 | cap 40 x 40 mm | Gleiter-Abdeckkappe 40 x 40 mm |
| 211011 | rubber distance piece | Gummi Abstandshalter |
| 211035 | cover 16 mm diameter ** | Abdeckkappe 16 mm Durchmesser |
| 211040 | cover 11 mm diameter ** | Abdeckkappe 11 mm Durchmesser |
| 211064 | profil gasket 8x8 | Profildichtung 8x8 |
| 211078 | flat seal 73 x 73 -3mm | Flachdichtung 73 x 73 - 3 mm |
| 211079 | ring seal for DN50 | Ringdichtung für Rohr DN 50 |
| 211080 | ring seal 34 x 42 - 7,5 mm | Ringdichtung 34 x 42 - 7,5 mm |
| 211083 | gasket for heating element HD6.x - HD20.x | Flachdichtung für Rohrheizkörper HD6.x -HD20.x |
| 211084 | ring seal for motor shaft HD6.x - HD20.x | Wellendichtung für Motor HD6.x - HD20.x |
| 211085 | sealing ring 3 x 2mm | O-Ring 3 x 2 mm |
| 211086 | sealing ring 65 x 5mm | O-Ring 65 x 5 mm |
| 211087 | profil gasket for front panel 6.x | Profildichtung für Schalterblende; HD 6.x |
| 211088 | profil gasket for front panel 10.x | Profildichtung für Schalterblende; HD 10.x |
| 211089 | profil gasket for front panel 20.x | Profildichtung für Schalterblende; HD 20.x |
| 211092 | flar ting seal 32,5 x 56 - 13 mm | Flachringdichtung 32,5 x 56 - 13 mm |
| 211094 | door gasket 6.x | Türdichtung HD 6.x |
| 211095 | door gasket 10.x | Türdichtung HD 10.x |

MKN HansDampf Spare part list

| Part No. | Description | Bezeichnung |
|----------|--|---|
| 211096 | door gasket 20.x | Türdichtung HD 20.x |
| 211097 | flat seal 70 x 35 - 1 | Flachdichtung 70 x 35 - 1 |
| 211099 | ring seal for DN70 pipe | Ringdichtung für Rohr DN 70 |
| 211104 | profile gasket for door 20.x | Profildichtung für Garraumtür 20.x |
| 211105 | flat seal 78 x 138 - 3 mm | Flachdichtung 78 x 138 - 3 mm |
| 211106 | flat seal 138 x 314 - 3 mm | Flachdichtung 138 x 314 - 3 mm |
| 211112 | door gasket Junior / Compact | Türdichtung Junior / Compact |
| 211115 | Ring seal 8 x 29 x 4,8 | Ringdichtung 8 x 29 x 4,8 |
| 211121 | profil gasket HD6.23 | Profildichtung für Blende 8 x 8 - 530 mm; HD Junior |
| 211123 | ring seal 5 x 9 - 3,7 mm | Ringdichtung 5 x 9 - 3,7 mm |
| 211128 | flat ring seal 71 x 94 -1 mm | Flachringdichtung 71 x 94 - 1 mm |
| 211129 | flat seal 121 x 148 -3 mm | Flachdichtung 121 x 148 - 3 mm |
| 211131 | flat ring seal 24 x 34 -10 mm | Flachringdichtung 24 x 34 -10 mm |
| 211133 | flat seal 141 x 169 -3 mm | Flachdichtung 141 x 169 - 3 mm |
| 211136 | ring seal 15,5 x 24 - 3 mm | Ringdichtung 15,5 x 24 - 3 mm |
| 211137 | ring seal 15 - 5 mm | Scheibendichtung 15 - 5 mm |
| 211138 | flat ring seal 17,5 x 24 - 2 mm | Flachringdichtung 17,5 x 24 - 2 mm |
| 211139 | flat ring seal 8 x 19 - 2 mm | Flachringdichtung 8 x 19 - 2 mm |
| 211140 | cap LD 22 - 25,5 mm | Schnapp-Abdeckkappe LD 22 - 25,5 mm |
| 211141 | flat ring seal 62 x 82 - 1,5 mm | Flachdichtung 62 x 82 - 1,5 mm |
| 211142 | flat ring seal 52 x 82 - 1,5 mm | Flachringdichtung 52 x 82 - 1,5 mm |
| 211143 | flat ring seal 114,5 x 150 - 1,5 mm | Flachringdichtung 114,5 x 150 - 1,5 mm |
| 211144 | flat ring seal 63,7 x 63,7 - 1,5 mm | Flachdichtung 63,7 x 63,7 - 1,5 mm |
| 211145 | flat seal 19 x 43 - 1,5 mm | Flachdichtung 19 x 43 - 1,5 mm |
| 211146 | flat ring seal 71 x 105 - 1 mm | Flachringdichtung 71 x 105 - 1 mm |
| 211150 | distance piece | Abstandshalter |
| 211151 | sealing ring 6 x 1 mm | O-Ring 6 x 1 mm |
| 211153 | plastic foot | Gerätefuß HansDampf |
| 211157 | ring seal D28 | Ringdichtung D28 |
| 211159 | O-Ring seal 28 x 4 | O-Ring Dichtung 28 x 4 |
| 211161 | Flat seal 112 x 292 | Flachdichtung 112 x 292 |
| 211164 | Gasket for heating element Junior-Compact | Dichtung für Heizkörper Junior-Compact |
| 214001 | flat ring seal 10 x 18,5 - 2 mm | Flachringdichtung 10 x 18,5 - 2 mm |
| 214008 | Bearing for EasyIn | Rillenkugellager 26 / 10 mm |
| 214009 | flat ring seal 12 x 19 mm | Flachringdichtung 12 x 19 - 1 mm |
| 214054 | flat ring seal 12 x 16 mm | Flachringdichtung 12 x 16 - 1 mm |
| 216081 | glass plate for gas burner | Glasscheibe für Brenner 19 x 29 mm |
| 216085 | heat exchanger 10.1, 20.1 gas | Wärmetauscher Gas HD10.1, HD20.1 |
| 216086 | gas hose 10.x | Gasschlauch 10.x |
| 216115 | glas panel 60mm HD6.x - HD20.x | Glasscheibe; 60 mm; HD6.x - HD20.x |
| 216117 | heat exchanger 6.x 10.x electric | Wärmetauscher 6.x, 10.x (Wasser) |
| 216120 | heat exchanger 20.x (water) | Wärmetauscher 20.x (Wasser) |
| 216121 | heat exchanger 10.x, 20.x gas | Wärmetauscher Gas HD10.x, HD20.x |
| 216124 | gas hose 20.x | Gasschlauch 20.x |
| 216125 | heat exchanger 6.x gas | Wärmetauscher Gas HD6.x |
| 216126 | door extension arm, downstairs | Türrastvorrichtung unten |
| 216127 | gas hose 6.x | Gasschlauch 6.x |
| 216131 | pressure spring | Druckfeder |
| 216156 | Leg spring for door lock Junior-Compact | Schenkelfeder für Türverschluß Junior-Compact |
| 216218 | door extension arm, down HD6.x - HD10.x | Türrastvorrichtung unten; HD6.x - HD10.x |
| 216237 | foot insert square-end 48 | Vierkant Fuss 48 |
| 216273 | door hinge 20.x, downstairs left | Türscharnier 20.x, links unten |
| 216274 | door hinge 20.x downstairs right | Türscharnier 20.x, rechts unten |
| 216292 | Glas for cabinet lighting | Glasscheibe Garraumbeleuchtung |
| 216301 | plate for door extension arm, marine version | Platte für Türrastung HansDampf Schiff |
| 216305 | drain pipe HD 6.x, 10.x Silver II | Ablaufrohr HansDampf 6.x, 10.x Silver II |
| 216306 | drain pipe HD 20.x Silver II | Ablaufrohr HansDampf 20.x Silver II |

MKN HansDampf Spare part list

| Part No. | Description | Bezeichnung |
|----------|--|--|
| 303021 | sealing belt 8 x 8 mm; 2000 mm long | Dichtungsband 8 x 8 mm; 2000 mm lang |
| 574013 | heating element 6,6 kW; 230 V | Rohrheizkörper 6,6 kW; 230 V |
| 574024 | heating element 6,6 kW; 254 V | Rohrheizkörper 6,6 kW; 254 V |
| 574176 | heating element 9,9 kW; 400 V; with cables | Rohrheizkörper 9,9 kW, 400 V; mit Litze |
| 574177 | heating element 15,4 kW; 400 V; with cables | Rohrheizkörper 15,4 kW, 400 V; mit Litze |
| 574181 | heating element 20,4 kW; 400 V; with cables | Rohrheizkörper 20,4 kW, 400 V; mit Litze |
| 574182 | heating element 20,4 kW; 440 V; with cables | Rohrheizkörper 20,4 kW, 440 V; mit Litze |
| 574183 | heating element 15,3 kW; 440 V; with cables | Rohrheizkörper 15,3 kW, 440 V; mit Litze |
| 574184 | heating element 15,6 kW; 208 V; with cables | Rohrheizkörper 15,6 kW, 208 V; mit Litze |
| 574186 | heating element 9,9 kW; 440 V; with cables | Rohrheizkörper 9,9 kW, 440 V; mit Litze |
| 574187 | heating element 9,9 kW; 208 V; with cables | Rohrheizkörper 9,9 kW, 208 V; mit Litze |
| 574188 | heating element 9,9 kW; 230 V; with cables | Rohrheizkörper 9,9 kW, 230 V; mit Litze |
| 574189 | heating element 30 kW; 400 V; with cables | Rohrheizkörper 30 kW, 400 V; mit Litze |
| 574190 | heating element 30 kW; 440 V; with cables | Rohrheizkörper 30 kW, 440 V; mit Litze |
| 574192 | heating element 4,9 kW; 400 V; with cables | Rohrheizkörper 4,9 kW, 400 V; mit Litze |
| 574193 | heating element 7,5 kW; 400 V; with cables | Rohrheizkörper 7,5 kW, 400 V; mit Litze |
| 810844 | Ventilation cap 20.x | Belüfterdeckel 20.x |
| 813386 | front panel combisteamer 6.x | Schalterblende Combidämpfer 6.x |
| 813396 | front panel combisteamer 10.x | Schalterblende Combidämpfer 10.x |
| 813771 | front panel combisteamer 20.x | Schalterblende Combidämpfer 20.x |
| 816151 | Front panel 10.x; for Silver 2 | Schalterblende HD 10.x; Silver 2; Tülle |
| 816156 | Front panel 20.x; for Silver 2 | Schalterblende HD 20.x; Silver 2; Tülle |
| 855219 | gas orifice 250 D92 | Gasblende 250 D92 |
| 855224 | gas orifice 200 D92 | Gasblende 200 D92 |
| 855229 | gas orifice 280 D92 | Gasblende 280 D92 |
| 855234 | gas orifice 300 D92 | Gasblende 300 D92 |
| 855254 | gas orifice 220 D92 | Gasblende 220 D92 |
| 855865 | Housing cover 6.x, 10.x electric, right hinged | Gehäusedeckel 6.x, 10.x, Elektro, Rechtsanschlag |
| 855870 | Housing cover 6.x, 10.x electric, left hinged | Gehäusedeckel 6.x, 10.x, Elektro, Linksanschlag |
| 855910 | Housing cover 20.x electric, right hinged | Gehäusedeckel 20.x, Elektro, Rechtsanschlag |
| 856125 | Housing cover 20.x electric, left hinged | Gehäusedeckel 20.x, Elektro, Linksanschlag |
| 856130 | Housing cover 6.x, 10.x, gas, left hinged | Gehäusedeckel 6.x, 10.x, Gas, Linksanschlag |
| 856145 | Housing cover 20.x, gas, right hinged | Gehäusedeckel 20.x, Gas, Rechtsanschlag |
| 856251 | Inner door for Combisteamer 6.x | Innentür HansDampf 6.x |
| 856266 | Inner door for Combisteamer 10.x | Innentür HansDampf 10.x |
| 856380 | Housing cover HansDampf Junior | Gehäusedeckel HansDampf Junior |
| 856390 | Housing cover HansDampf Compact | Gehäusedeckel HansDampf Compact |
| 866516 | mounting plate for transformer | Halter für Transformator |
| 866521 | mounting plate for transformer | Halter für Transformator |
| 866536 | mounting plate for transformer | Halter für Transformator |
| 866781 | Mounting profile for buzzer | Halter für Summer |
| 866789 | holder for lift magnet | Halter für Belüftermagnet |
| 866956 | Bearing holder for chamber door Junior-compact | Lagerhalter für Garraumtür Junior-Compact |
| 885454 | protection box for pump | Schutzkasten für Pumpe |
| 885459 | protection box for pump | Schutzkasten für Pumpe |
| 885790 | protection box for electronic 20.x | Schutzkasten für Elektronik 20.x |
| 890155 | Air baffle 6.23 | Luftleitblech HansDampf 6.23 |
| 890206 | Air baffle 6.1 electric | Luftleitblech HansDampf 6.1 Elektro |
| 890211 | Air baffle 6.2 electric | Luftleitblech HansDampf 6.2 Elektro |
| 890216 | Air baffle 10.1 electric | Luftleitblech HansDampf 10.1 Elektro |
| 890221 | Air baffle 10.2 electric | Luftleitblech HansDampf 10.2 Elektro |
| 890226 | Air baffle 20.1 electric | Luftleitblech HansDampf 20.1 Elektro |
| 890231 | Air baffle 20.2 electric | Luftleitblech HansDampf 20.2 Elektro |
| 890241 | Air baffle 10.2 gas | Luftleitblech HansDampf 10.2 Gas |
| 890246 | Air baffle 10.1 gas | Luftleitblech HansDampf 10.1 Gas |
| 890251 | Air baffle 20.1 gas | Luftleitblech HansDampf 20.1 Gas |
| 890256 | Air baffle 20.2 gas | Luftleitblech HansDampf 20.2 Gas |

MKN HansDampf Spare part list

| Part No. | Description | Bezeichnung |
|----------|---|---|
| 890261 | Air baffle HansDampf Compact | Luftleitblech HansDampf Compact |
| 912024 | Cover plate | Abdeckplatte |
| 935545 | water supply pipe for gas combisteamer 10.x | Wasserzulaufrohr für Gascombidämpfer 10.x |
| 935550 | water supply pipe for gas combisteamer 6.x | Wasserzulaufrohr für Gascombidämpfer 6.x |
| 945446 | Arrest washer for motor shaft | Arretierscheibe für Motorwelle |
| 945581 | bottom plate for trap 20.x | Siphon- Unterteil 20.x |
| 945586 | trap 20.x (for units with cleaning system) | Siphon 20.x (mit Reinigungssystem) |
| 945591 | Trap, complete | Siphon, komplett |
| 945596 | trap 6.x & 10.x (for units with cleaning system) | Siphon 6.x & 10.x (mit Reinigungssystem) |
| 945606 | bottom plate for trap 6.x 10.x | Siphon- Unterteil 6.x 10.x |
| 945661 | Arrest washer for motor shaft | Arretierscheibe für Motorwelle |
| 960324 | Door mounting part for Junior-Compact | Türbefestigung Junior-Compact |
| 960426 | door hinge 6.x, downstairs right | Türscharnier 6.x, rechts unten |
| 960431 | door hinge 6.x downstairs left | Türscharnier 6.x, links unten |
| 960456 | door hinge 6.x upstairs left | Türscharnier 6.x, links oben |
| 960461 | door hinge 6.x upstairs right | Türscharnier 6.x, rechts oben |
| 960516 | door hinge 20.x upstairs left | Türscharnier 20.x, links oben |
| 960521 | door hinge 20.x upstairs right | Türscharnier 20.x, rechts oben |
| 960532 | Chamber door 20.x right hinged, insulated-glass | Garraumtür 20.x Rechtsanschlag; Isolierverglasung |
| 960537 | Chamber door 20.x left hinged 20.x, insulated-glass | Garraumtür 20.x Linksanschlag; Isolierverglasung |
| 960627 | Chamber door 10.x right hinged 10.x, insulated-glass | Garraumtür 10.x Rechtsanschlag; Isolierverglasung |
| 960647 | Chamber door 6.x right hinged 6.x, , insulated-glass | Garraumtür 6.x Rechtsanschlag; Isolierverglasung |
| 960667 | Chamber door 6.x left hinged 6.x, insulated-glass | Garraumtür 6.x Linksanschlag; Isolierverglasung |
| 960672 | Chamber door 10.x left hinged 10.x, insulated-glass | Garraumtür 10.x Linksanschlag; Isolierverglasung |
| 960692 | Chamber door 10.x right hinged , insulated-glass, with radius | Garraumtür 10.x Rechtsanschlag, Isolierverglasung, mit Radius |
| 960697 | Chamber door 20.x right hinged , insulated-glass, with radius | Garraumtür 20.x Rechtsanschlag, Isolierverglasung, mit Radius |
| 960702 | Chamber door 6.x right hinged , insulated-glass, with radius | Garraumtür 6.x Rechtsanschlag, Isolierverglasung, mit Radius |
| 960707 | Chamber door 10.x left hinged , insulated-glass, with radius | Garraumtür 10.x Linksanschlag, Isolierverglasung, mit Radius |
| 960712 | Chamber door 20.x left hinged , insulated-glass, with radius | Garraumtür 20.x Linksanschlag, Isolierverglasung, mit Radius |
| 960717 | Chamber door 6.x left hinged, insulated-glass, with radius | Garraumtür 6.x Linksanschlag, Isolierverglasung, mit Radius |
| 960732 | Chamber door 6.x right hinged , single-glass, with radius | Garraumtür 6.x Rechtsanschlag, Einfachverglasung, mit Radius |
| 960737 | Chamber door 10.x right hinged , single-glass, with radius | Garraumtür 10.x Rechtsanschlag, Einfachverglasung, mit Radius |
| 960807 | Chamber door Junior-Compact right hinged, insulated-glass | Garraumtür Junior-Compact, Rechtsanschlag, Isolierverglasung |
| 960812 | Chamber door Junior-Compact left hinged, insulated-glass | Garraumtür Junior-Compact, Linksanschlag, Isolierverglasung |
| 975905 | Combisteamer side wall 20.x electric | Combidämpfer Seitenwand 20.x Elektro |
| 975965 | Combisteamer side wall 10.x gas | Combidämpfer Seitenwand 10.x Gas |
| 975970 | Combisteamer side wall 6.x gas | Combidämpfer Seitenwand 6.x Gas |
| 976010 | Combisteamer side wall 6.x electric | Combidämpfer Seitenwand 6.x Elektro |
| 976015 | Combisteamer side wall 10.x electric | Combidämpfer Seitenwand 10.x Elektro |

Зип Общепит

vsezip.ru

+7(812)987-08-81



MKN Maschinenfabrik
Kurt Neubauer GmbH & Co
Halberstädter Straße
D-38300 Wolfenbüttel,
Germany
Tel: +49 (0) 53 31/ 89-0
Fax: +49 (0) 53 31/ 89-280
