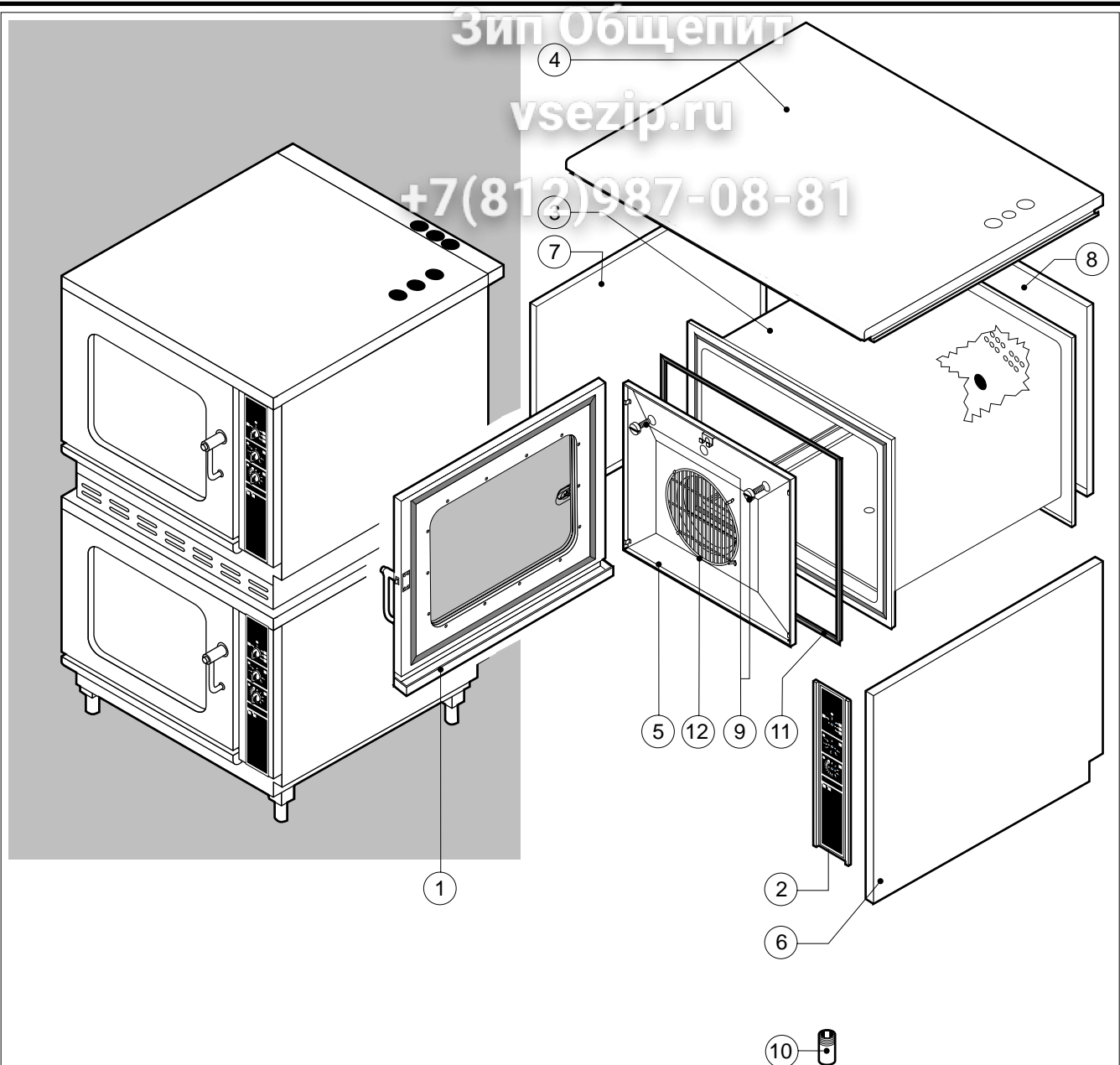


Зип Общепит

vsezip.ru

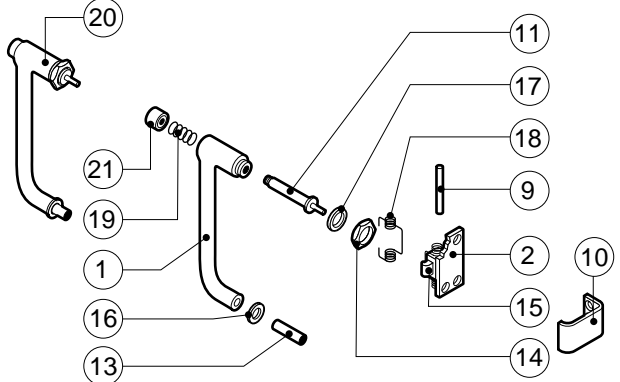
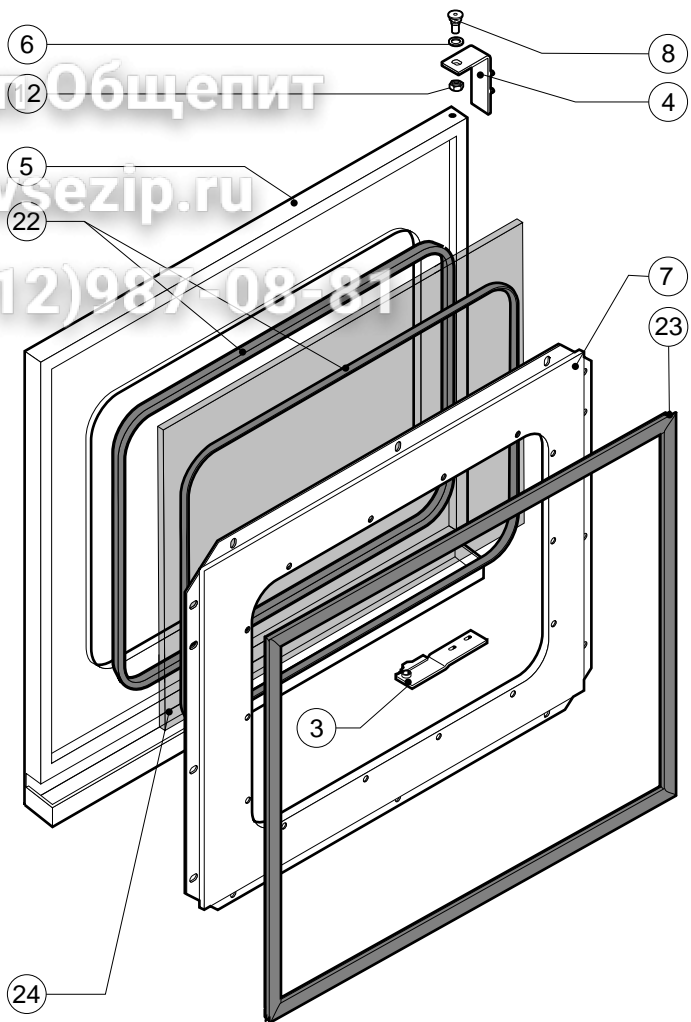
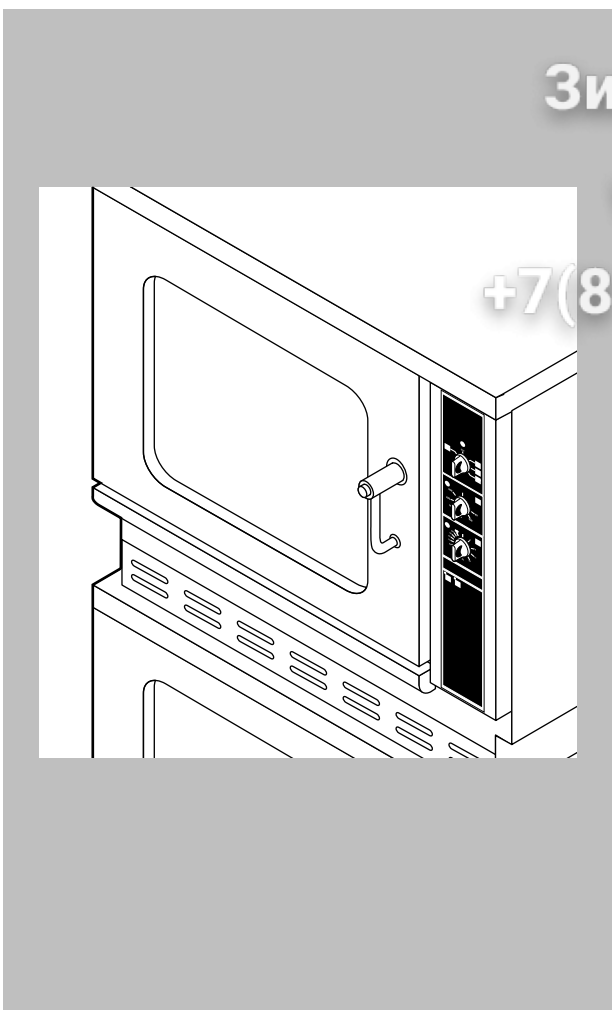
+7(812)987-08-81

016.40.004.0521_091T98.DONADINI & C



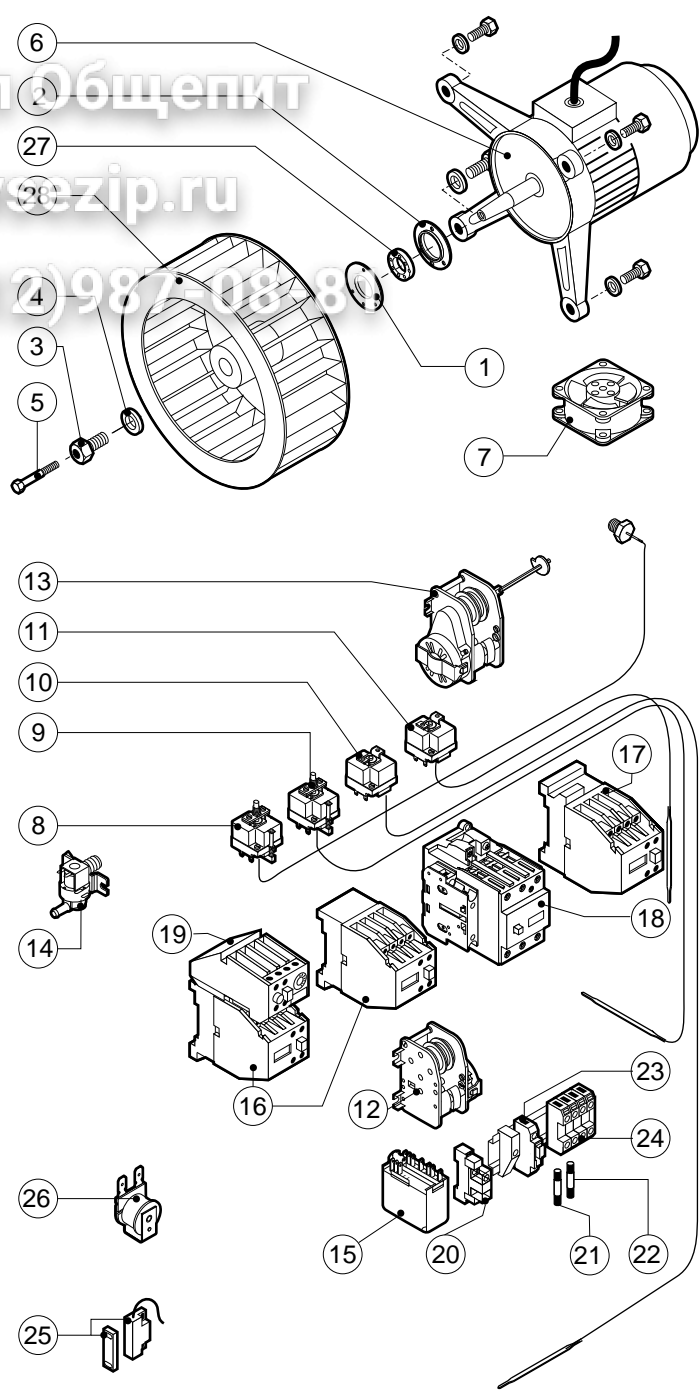
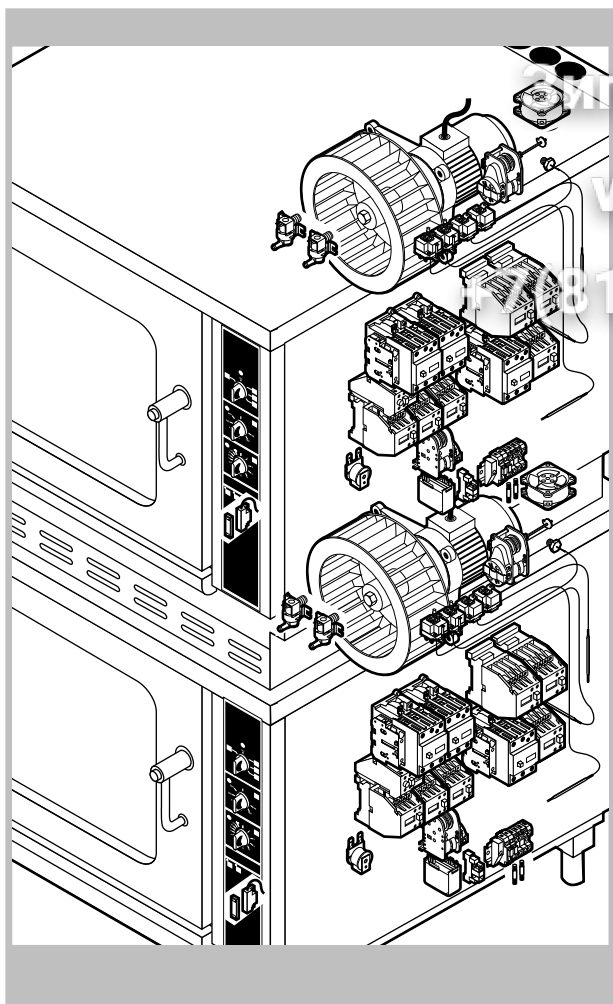
POS.	CODE	PIECES	DESCRIPTION
1	R10100820	2	DOOR ASSEMBLY
2	R10105430	2	CONTROL PANEL WITH PLATE
3	R10207220	2	COOKING CABINET ASSEMBLY
4	R10200390	2	COVER PANEL
5	R10207300	2	FAN GUARD PANEL ASSEMBLY
6	R10220700	2	RIGHT SIDE PANEL
7	R10220710	2	LEFT SIDE PANEL
8	R10452700	2	REAR PANEL
9	R58003100	4	FAN GUARD FASTENING SCREW
10	R69070070	4	FOOT 1"1/4x120
11	R70041100	2	FRONT GASKET
12	R75300090	2	FAN GUARD GRID Ø 350

POS.	CODE	PIECES	DESCRIPTION



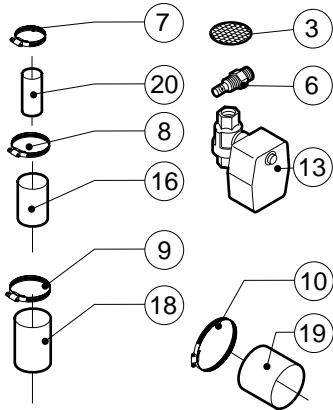
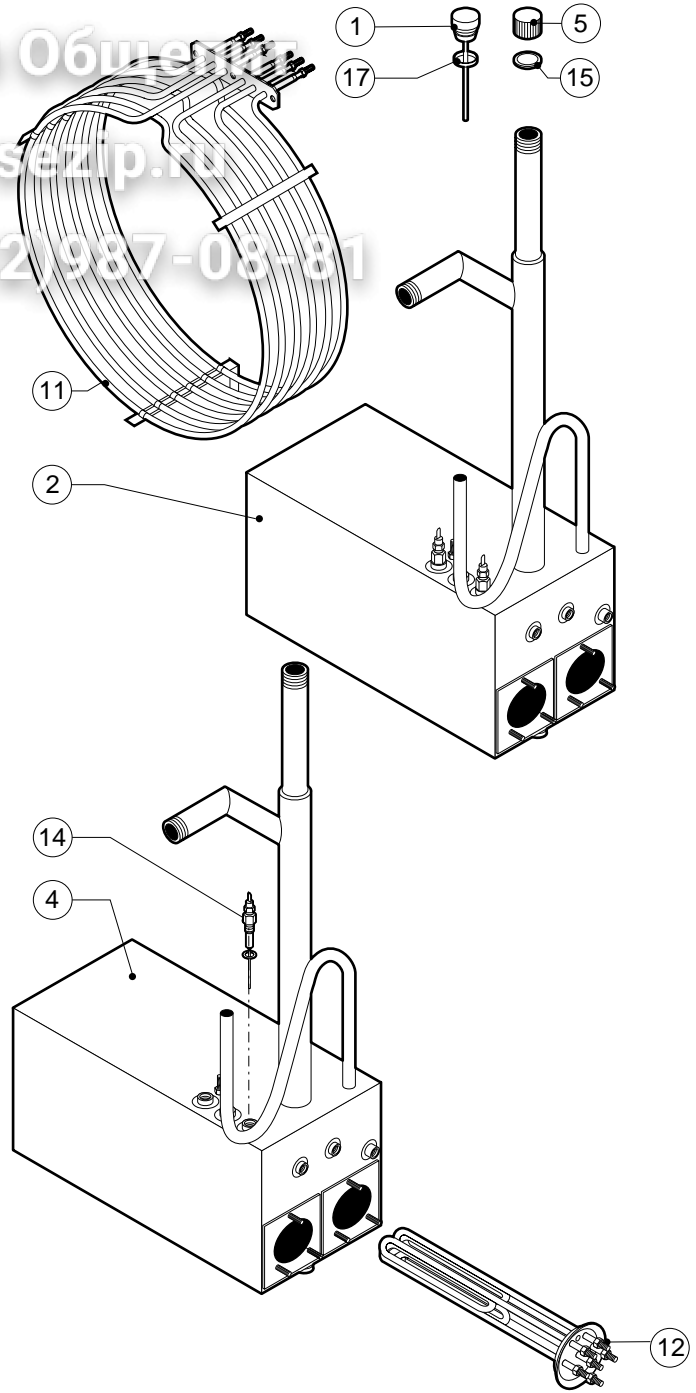
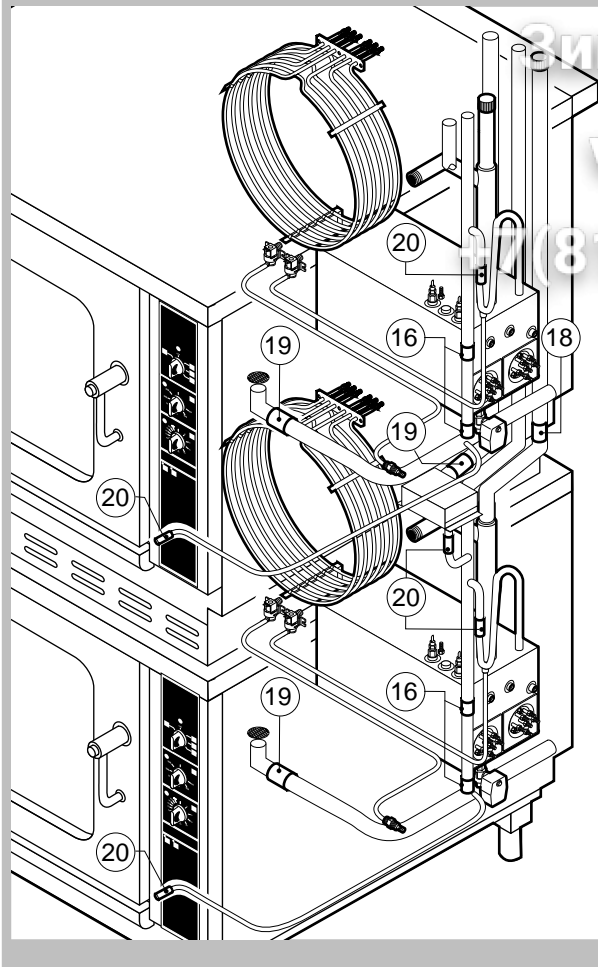
POS.	CODE	PIECES	DESCRIPTION
1	R09200230	2	DOOR HANDLE
2	R10100110	2	PRONG FLANGE
3	R10201240	2	LOWER DOOR HINGE
4	R10201290	2	UPPER DOOR HINGE
5	R10220060	2	DOOR
6	R10401710	2	WASHER FOR UPPER DOOR HINGE
7	R10450880	2	INNER DOOR PANEL
8	R58002150	2	HINGE PIN
9	R58002160	2	DOOR HANDLE PRONG PIN
10	R58002760	2	DOOR HANDLE PRONG COUPLER
11	R58003240	2	DOOR HANDLE BUTTON ROD
12	R58004050	2	NUT FOR UPPER DOOR HINGE
13	R58004270	2	DOOR HANDLE SPACER
14	R58004830	2	RING NUT M18x1
15	R58005050	2	DOOR HANDLE PRONG
16	R58005340	2	DOOR HANDLE LOWER INSULATION WASHER
17	R58005350	2	DOOR HANDLE UPPER INSULATION WASHER
18	R61620012	2	DOOR HANDLE CATCH SPRING
19	R61620041	2	DOOR HANDLE BUTTON SPRING

POS.	CODE	PIECES	DESCRIPTION
20	R69015000	2	DOOR HANDLE ASSEMBLY
21	R69031190	2	DOOR HANDLE PUSH BUTTON
22	R70040650	4	GLASS GASKET
23	R70042140	2	DOOR GASKET
24	R71105010	2	DOUBLE GLAZED GLASS



POS.	CODE	PIECES	DESCRIPTION
1	R58003840	2	MOTOR GASKET BRASS FLANGE
2	R58003850	2	MOTOR GASKET BRASS COUNTER FLANGE
3	R58004000	2	FAN SCREW M12x1.5 SX
4	R58004010	2	FAN WASHER Ø 30/12.5
5	R61020562	2	FAN SCREW TE A2 M6x55
6	R65040061	2	MOTOR HP 1 KIT
7	R65060010	2	COMPONENTS VENTILATION MOTOR Ø 80
8	R65070075	2	CHAMBER SAFETY THERMOSTAT
9	R65070080	2	STEAM GENERATOR SAFETY THERMOSTAT
10	R65070165	2	THERMOSTAT 65°C
11	R65070240	2	THERMOSTAT 70°C
12	R65090180	2	REVERSING SWITCH 8'
13	R65095010	2	DAMPER SYSTEM
14	R65110120	4	SOLENOID VALVE 220V 60HZ
15	R65120010	2	LEVEL REGULATOR
16	R65140140	6	CONTACTOR 3TF4011-OAN2 220V
17	R65140230	6	CONTACTOR 3TF4211-OAN2 220V
18	R65140450	6	CONTACTOR 3TF4422-OAN2 220V
19	R65160130	2	THERMIC PROTECTION 3UA5000-1F 3.2-5A

POS.	CODE	PIECES	DESCRIPTION
20	R65170050	2	RELAY 4052 240V AC 10A
21	R65200120	2	FUSE 0.1A (T)
22	R65200200	2	FUSE 2A
23	R65210020	4	FUSE CARRIER
24	R65220080	2	TERMINAL BOARD
25	R65265100	2	DOOR SWITCH
26	R65330010	2	BUZZER
27	R70020050	2	MOTOR GASKET
28	R75400370	2	FAN Ø 350x120/16 60HZ P.D. KIT



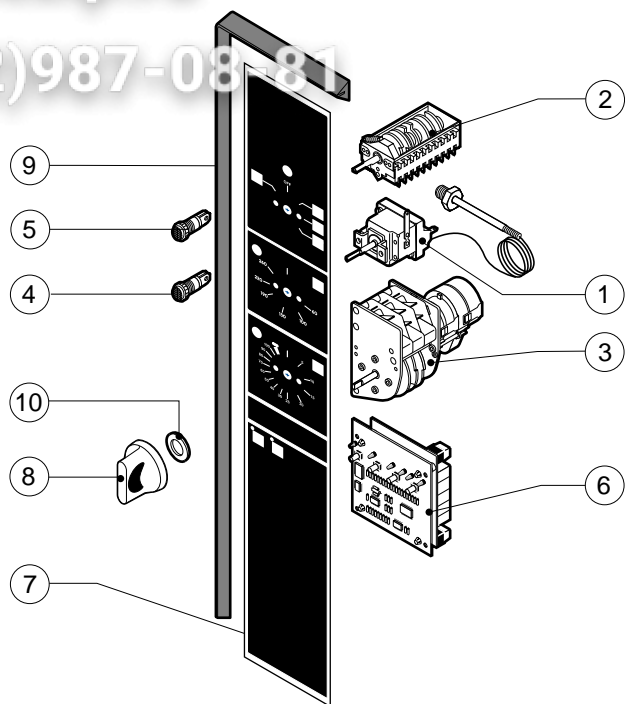
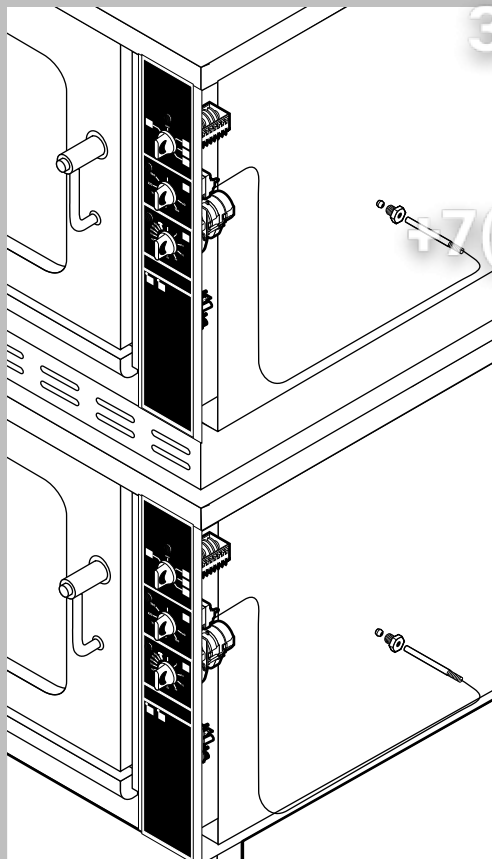
POS.	CODE	PIECES	DESCRIPTION
1	R10100140	2	DAMPER SYSTEM CAP
2	R10102850	2	STEAM GENERATOR ASSEMBLY
3	R10201710	2	DRAIN FILTER
4	R10220670	2	STEAM GENERATOR
5	R58005680	2	STEAM GENERATOR DESCALING CAP 1"1/4 F
6	R58006100	2	STEAM QUENCHING NOZZLE Ø 1.5
7	R61630011	18	METAL CLAMPS 12-22/9
8	R61630021	6	METAL CLAMPS 30-45/9
9	R61630031	6	METAL CLAMPS 40-60/9
10	R61630041	4	METAL CLAMPS 70-90/9
11	R65011300	2	CHAMBER HEATING ELEMENT 15000W
12	R65020310	4	STEAM GENERATOR HEATING ELEMENT 7500W
13	R65110540	2	STEAM GENERATOR DRAIN MOTORIZED VALVE
14	R65320010	4	STEAM GENERATOR LEVEL PROBE
15	R70050040	2	STEAM GENERATOR CAP GASKET
16	R70060010	4	SILICON COUPLING Ø 30
17	R70060020	2	DAMPER SYSTEM CAP GASKET
18	R70060030	1	SILICON COUPLING Ø 40
19	R70060040	3	SILICON COUPLING Ø 50

POS.	CODE	PIECES	DESCRIPTION
20	R70060060	5	SILICON COUPLING Ø 15

Зип Ощепит

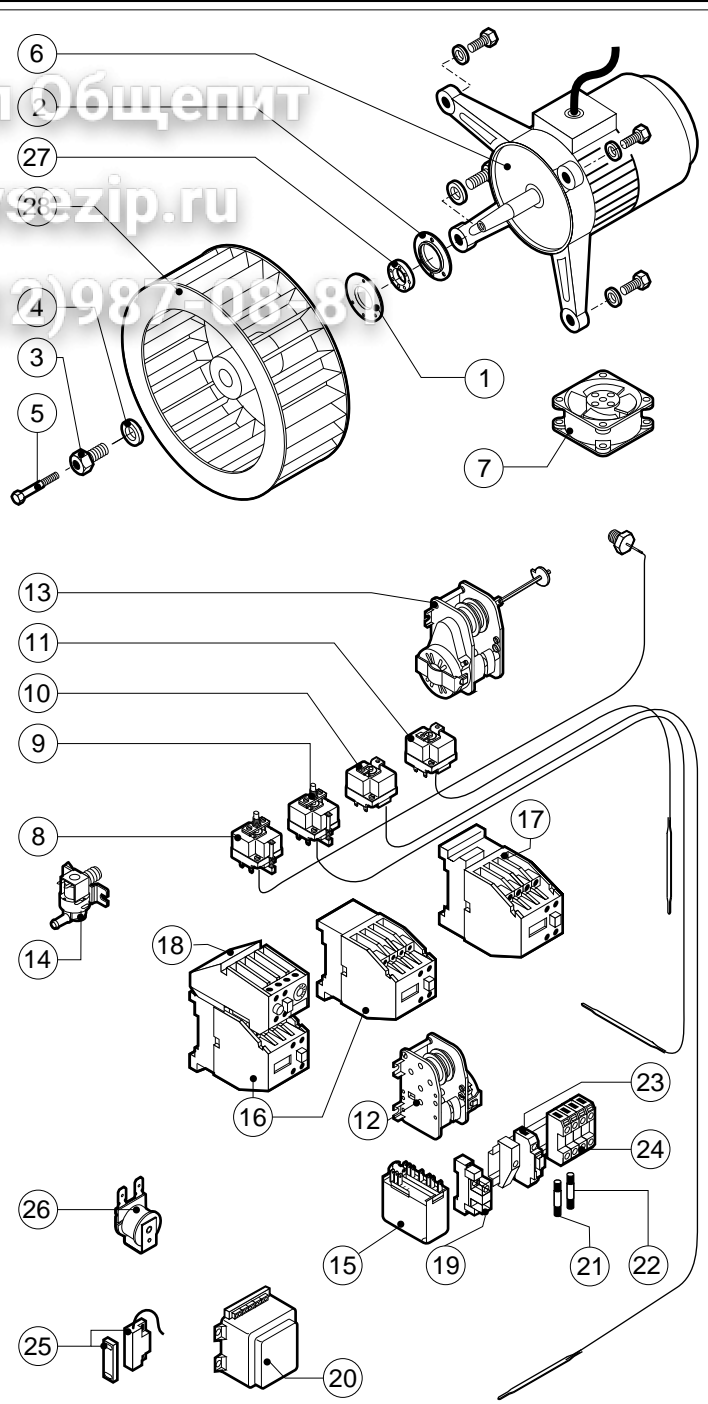
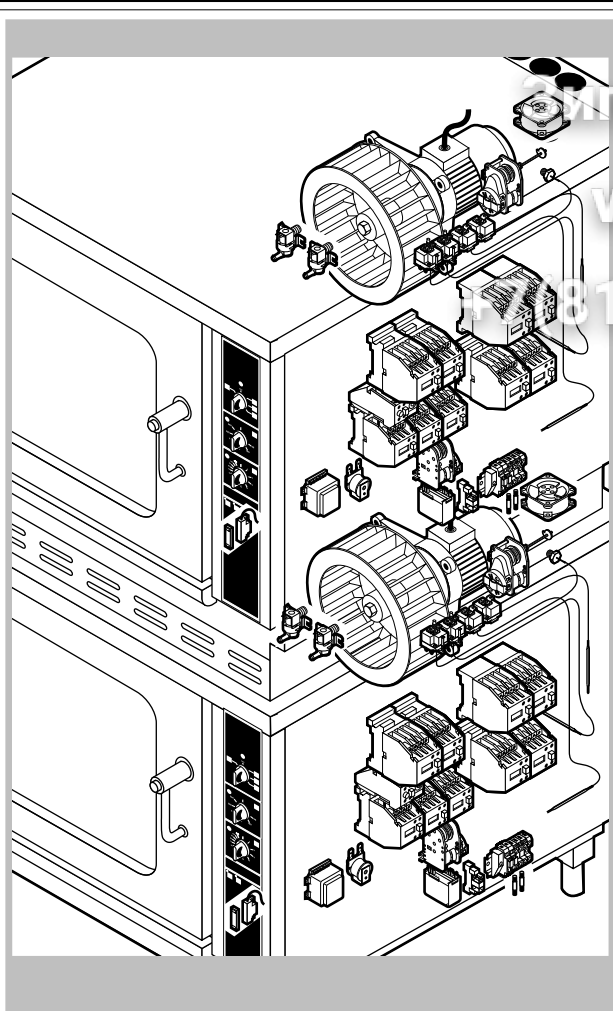
vsezip.ru

+7(812)987-08-81



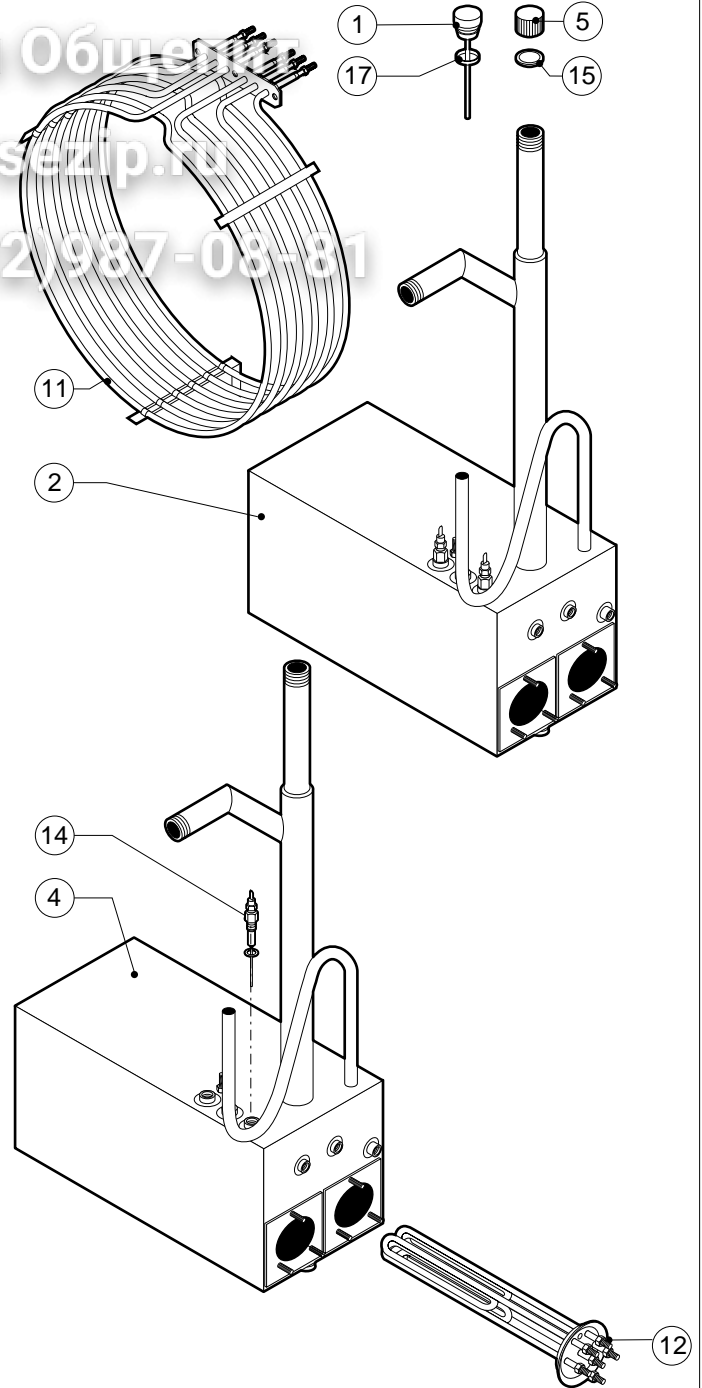
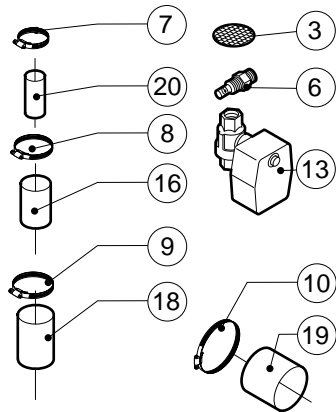
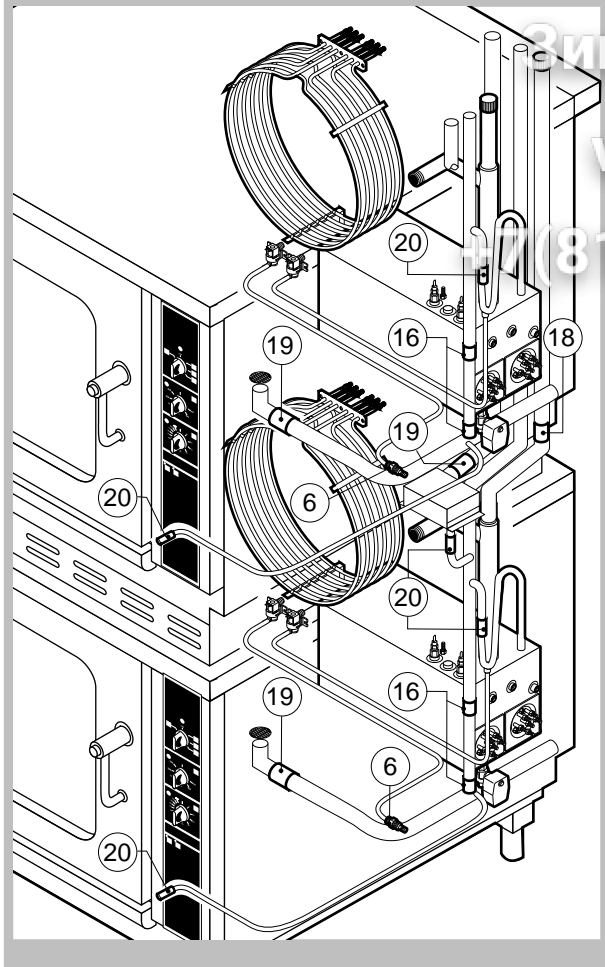
POS.	CODE	PIECES	DESCRIPTION
1	R65070210	2	CABINET THERMOSTAT 50/270°C
2	R65080020	2	MAIN SELECTOR SWITCH
3	R65090200	2	TIMER
4	R65270220	4	ORANGE INDICATING LIGHT
5	R65270230	2	GREEN INDICATING LIGHT
6	R65300560	2	CONTROL PANEL P.C. BOARD
7	R67200570	2	CLEVELAND PLATE
8	R69030080	6	KNOB KIT
9	R70040910	2	CONTROL PANEL GASKET
10	R70050020	12	KNOB GASKET

POS.	CODE	PIECES	DESCRIPTION



POS.	CODE	PIECES	DESCRIPTION
1	R58003840	2	MOTOR GASKET BRASS FLANGE
2	R58003850	2	MOTOR GASKET BRASS COUNTER FLANGE
3	R58004000	2	FAN SCREW M12x1.5 SX
4	R58004010	2	FAN WASHER Ø 30/12.5
5	R61020562	2	FAN SCREW TE A2 M6x55
6	R65040770	2	MOTOR HP 1 KIT
7	R65060010	2	COMPONENTS VENTILATION MOTOR Ø 80
8	R65070075	2	CHAMBER SAFETY THERMOSTAT
9	R65070080	2	STEAM GENERATOR SAFETY THERMOSTAT
10	R65070165	2	THERMOSTAT 65°C
11	R65070240	2	THERMOSTAT 70°C
12	R65090180	2	REVERSING SWITCH 8'
13	R65095010	2	DAMPER SYSTEM
14	R65110120	4	SOLENOID VALVE 220V 60HZ
15	R65120010	2	LEVEL REGULATOR
16	R65140140	12	CONTACTOR 3TF4011-OAN2 220V
17	R65140230	6	CONTACTOR 3TF4211-OAN2 220V
18	R65160120	2	THERMIC PROTECTION 3UA5000-1C 1.6-2.5A
19	R65170050	2	RELAY 4052 240V AC 10A

POS.	CODE	PIECES	DESCRIPTION
20	R65180365	1	AUTOTRANSFORMER 250VA
21	R65200120	2	FUSE 0.1A (T)
22	R65200200	2	FUSE 2A
23	R65210020	4	FUSE CARRIER
24	R65220080	2	TERMINAL BOARD
25	R65265100	2	DOOR SWITCH
26	R65330010	2	BUZZER
27	R70020050	2	MOTOR GASKET
28	R75400370	2	FAN Ø 350x120/16 60HZ P.D. KIT



POS.	CODE	PIECES	DESCRIPTION
1	R10100140	2	DAMPER SYSTEM CAP
2	R10102850	2	STEAM GENERATOR ASSEMBLY
3	R10201710	2	DRAIN FILTER
4	R10220670	2	STEAM GENERATOR
5	R58005680	2	STEAM GENERATOR DESCALING CAP 1"1/4 F
6	R58006100	2	STEAM QUENCHING NOZZLE Ø 1.5
7	R61630011	18	METAL CLAMPS 12-22/9
8	R61630021	6	METAL CLAMPS 30-45/9
9	R61630031	6	METAL CLAMPS 40-60/9
10	R61630041	4	METAL CLAMPS 70-90/9
11	R65011330	2	CHAMBER HEATING ELEMENT 15000W
12	R65020340	4	STEAM GENERATOR HEATING ELEMENT 7500W
13	R65110540	2	STEAM GENERATOR DRAIN MOTORIZED VALVE
14	R65320010	4	STEAM GENERATOR LEVEL PROBE
15	R70050040	2	STEAM GENERATOR CAP GASKET
16	R70060010	4	SILICON COUPLING Ø 30
17	R70060020	2	DAMPER SYSTEM CAP GASKET
17	R70060030	1	SILICON COUPLING Ø 40
18	R70060040	3	SILICON COUPLING Ø 50

POS.	CODE	PIECES	DESCRIPTION
19	R70060060	5	SILICON COUPLING Ø 15