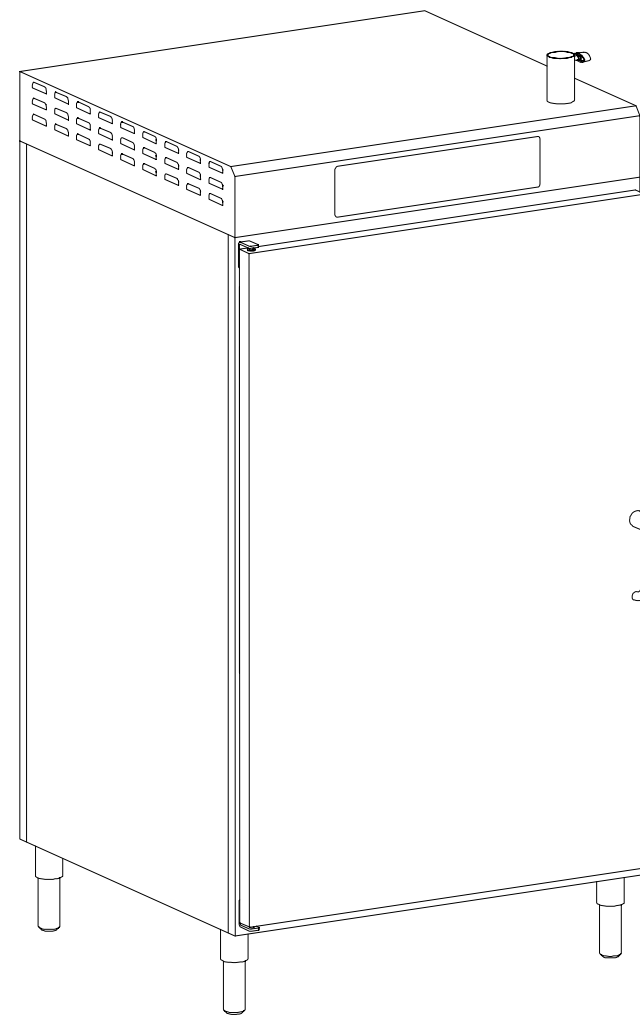

Зип Общепит

vsezip.ru

+7(812)987-08-81

ESPLOSO
EXPLODED DRAWINGS
VUE ÉCLATÉE
EXPLOSIONZRECHNUNGEN
DESPEÇE

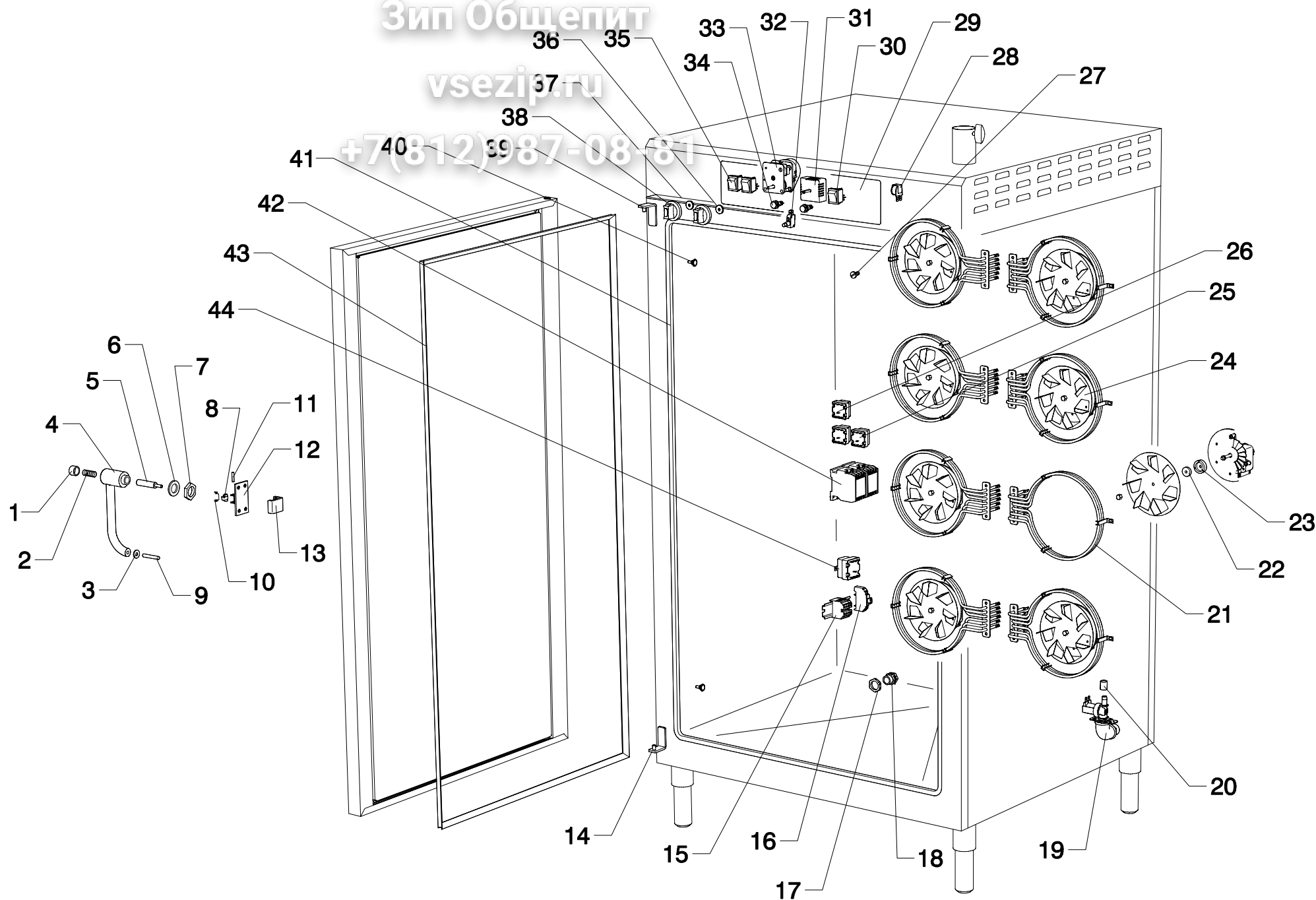


Mod. RB142/M

Зип Общежит

vsezip.ru

+7(812)987-08 81



POS.	COD.	QT.	DESCRIZIONE	DESCRIPTION	DESCRIPTION	BESCHREIBUNG	DESCRIZIONES
1	A23100850	1	PULSANTE MANIGLIA	DOOR HANDLE PUSH BUTTON	TOUCHE POIGNEE	TUERGRIFFKNOPF	PULSADOR MANETA
2	A33200340	1	MOLLA PULSANTE MANIGLIA	DOOR HANDLE BUTTTON SPRING	RESSORT POUSSOIR	FEDER F. GRIFFKNOPF	MUELLE PULSADOR MANETA
3	A23100870	1	RONDELLA ISOLANTE INFERIORE MANIGLIA	DOOR HANDLE LOWER INSULATION WASHER	RONDELLE ISOLANTE INFERIEURE POIGNEE	UNTERE ISOLIERSCHEIBE F. TUERGRIFF	ARANDELA AISLANTE INFERIOR MANETA
4	A33200450	1	IMPUGNATURA MANIGLIA	DOOR HANDLE	POIGNEE	TUERGRIFF	MANETA
5	A23100830	1	ASTA PULSANTE MANIGLIA	DOOR HANDLE PUSH BUTTON	TIGE TOUCHE POIGNEE	STAB F. TUERGRIFFKNOPF	EJE PULSADOR MANETA
6	A23100860	1	RONDELLA ISOLANTE MANIGLIA	DOOR HANDLE LOWER INSULATION WASHER	RONDELLE ISOLANTE POIGNEE	ISOLIERSCHEIBE F. TUERGRIFF	ARANDELA AISLANTE MANETA
7	A33200330	1	GHIERA 18X1	RING NUT M18x1	COLLIER M18x1	BEFESTIGUNGSRING M18x1	ABRAZADERA M18x1
8	A33200360	1	NASELLO MANIGLIA	DOOR HANDLE RING	DECLIC POIGNEE	SCHLIESSNASE	PICAPORTE MANETA
9	AM2400590	1	DISTANZIALE MANIGLIA	DOOR HANDLE SPACER	ENTRETOISE POIGNEE	DISTANZROHR F. TUERGRIFF	DISTANCIADOR MANETA
10	A33200380	1	MOLLA NASELLO MANIGLIA	DOOR HANDLE CATCH SPRING	RESSORT FERMETURE	FEDER F. SCHLIESSNASE	MUELLE PICAPORTE MANETA
11	A33200370	1	PERNO NASELLO MANIGLIA	DOOR HANDLE PRONG PIN	CHEVILLE DECLIC POIGNEE	ZAPFEN F. SCHLIESSNASE AM TUERGRIFF	PERNO PICAPORTE MANETA
12	A33200350	1	FLANGIA NASELLO MANIGLIA COMPLETA	PRONG FLANGE	BRIDE DECLIC	FLANSCH	PULSADOR MANETA COMPLETO
13	A33200390	1	AGGANCIO NASELLO MANIGLIA	DOOR HANDLE PRONG COUPLER	CROCHET DECLIC POIGNEE	HAKEN F. SCHLIESSNASE	ENGANCHE PICAPORTE MANETA
14	AM1400020	1	CERNIERA INFERIORE	LOWER DOOR HINGE	CHARNIERE INFERIEURE	UNTERES SCHARNIER	BISAGRA INFERIOR
15	A34201840	1	MORSETTIERA LX3	TERMINAL BOARD LX3	BORNIER LX3	KLEMMLEISTE LX3	REGLETERA LX3
16	A34201230	1	PORTAFUSIBILE BARRA DIN	FUSE CARRIER	PORTE-FUSIBLE	SICHERUNGSHALTER	PORTAFUSIBILE
16a	A34201250	1	FUSIBILE 2A	FUSE 2A	FUSIBLE 2A	SCHMELZSICHERUNG 2A	FUSIBILE 2A
17	A34201370	1	CONTRODADO PG21	CABLE GLAND LOCK NUT	CONTRE-ECROU POUR RONDELLE FIXATION	MUTTER	CONTRODADO PASACABLE
18	A34201360	1	PRESSACAVO PG21	CABLE/GLAND	RONDELLE FIXATION	ENTZUGLASTUNG	PASACABLE
19	A34300010	1	ELETTROVALVOLA M3/4 220V 50Hz	SOLENOID VALVE M3/4 220V 50Hz	ELECTROVANNE M3/4 220V 50Hz	MAGNETVENTIL M3/4 220V 50Hz	ELECTROVALVULA SIMPLE M3/4 220V 50Hz
20	A34300590	1	RIDUTTORE DI PORTATA VERDE	FLOW REDUCER	REGULATEUR DE DEBIT	DRUCKMINDERER	REDUCTOR CAUDAL
21	A34300510	8	RESISTENZA 3150W 230V	HEATING ELEMENT 3150W 230V	RESISTANCE 3150W 230V	HEIZKOEPPER 3150W 230V	RESISTENCIA 3150W 230V
22	A32100440	8	GUARNIZIONE DI TENUTA MM/4	MOTOR GASKET	GARNITURE MOTEUR	MOTORDICHTUNG	JUNTA MOTOR
23	A33200400	8	SEDE PER TENUTA D7/22X7	MOTOR GASKET BRASS FLANGE D7/22x7	BRIDE JOINT MOTEUR D7/22x7	FLANSCH F. MOTORDICHTUNG D7/22x7	BRIDA JUNTA MOTOR D7/22x7
24	A34300420	8	VENTILATORE C30XOL13/05 240V	VENTILATION MOTOR C30xOL13/05 240V	MOTEUR C30xOL13/05 240V	MOTOR C30xOL13/05 240V	VENTILADOR C30xOL13/05 240V
25	A34100270	2	TERMOSTATO 45°-170°C	THERMOSTAT 45°-170°C	THERMOSTAT 45°-170°C	THERMOSTAT 45°-170°C	KIT TERMOSTATO 45°-170°C
26	A34100030	1	TERMOSTATO 30°-110°C	THERMOSTAT 30°-110°C	THERMOSTAT 30°-110°C	THERMOSTAT 30°-110°C	KIT TERMOSTATO 30°-110°C
27	A23100890	2	VITE FERMO DEFLETTORE	FAN GUARD FASTENING SCREW	VIS DEFLECTEUR	SCHRAUBE F. LUFTLEITBLECH	TORNILLO CIERRE DEFLECTOR
28	A34100750	1	SUONERIA 220V	BUZZER 220V	SONNERIE 220V	SUMMER 220V	ZUMBADOR 220V
29	A23501600	1	TARGA RENOVA RB/RP M	RENOVA PLATE RB/RP M	PLAQUE RENOVA RB/RP M	BEDIENUNGSFOLIE RENOVA RB/RP M	PLACA RENOVA RB/RP M
30	A34100150	2	DEVIATORE 2P 16A 250V	CURRENT EXCHANGE SWITCH 2P 16A 250V	INTERRUPTEUR INVERSEUR	UMSCHALTER 2P 16A 250V	INTERRUPTOR BIPOLAR
31	A34100700	1	REGOLATORE ENERGIA	ENERGY REGULATOR	REGULATEUR D'ENERGIE	ENERGIEREGLER	REGULADOR ENERGIA
32	A34100910	1	MICRO PORTA	DOOR SWITCH	MICRO PORTE	TUERSCHALTER	MICRO PUERTA
33	A34100730	1	CONTAMINUTI 90'	TIMER 90'	TIMER 90'	TIMER 90'	PROGRAMADOR 90'
34	A34200310	2	SPIA LUMINOSA VERDE	GREEN INDICATING LIGHT	LAMPE TEMOIN VERT	GRUENE KONTROLLAMPE	LAMPARA PILOTO VERDE
35	A34100342	1	INTERRUTTORE LUMINOSO VERDE	GREEN LIGHT SWITCH	INTERRUPTEUR VERT	GRUENER SCHALTER	INTERRUPTOR VERDE
36	A32100550	2	GUARNIZIONE MANOPOLA	KNOB GASKET	ETANCHEITE POIGNEE COMMANDE	DICHTUNG DES BEDIENUNGSKNEBELS	JUNTA MANETA
37	A23203130	1	GUARNIZIONE COPERCHIO RB/RP072/102/142	COVER PANEL GASKET RB/RP072/102/142	JOINT COUVERCLE RB/RP072/102/142	DICHTUNG FUER DECKEL RB/RP072/102/142	JUNTA TAPA RB/RP072/102/142
38	A34100920	2	MANOPOLA RENOVA GRIGIA NERA	KNOB RENOVA	POIGNEE COMMANDE RENOVA	DREHKNOPF RENOVA	MANETA RENOVA
39	AM1400010	1	ASSIEME CERNIERA SUPERIORE	UPPER DOOR HINGE	CHARNIERE SUPERIEURE	OBERES SCHARNIER	BISAGRA SUPERIOR
40	A23100930	4	PERNO SUPPORTO PARATIA	SIDE RUNNERS SUPPORT	SUPPORT GLISSIERES	BOLZEN AUFLAGESCHIENEN	PERNO PARATIA
41	A23203190	1	GUARNIZIONE FACCIATA RB/RP142	FRONT GASKET RB/RP142	JOINT FACADE RB/RP142	DICHTUNG DER FRONTSEITE RB/RP142	JUNTA FRONTAL RB/RP142
42	A34100870	2	TELERUTTORE 3RT1025-1A	CONTACTOR 3RT1025-1A	CONTACTEUR 3RT1025-1A	SCHUETZ 3RT1025-1A	CONTACTOR 3RT1025-1A
43	A23203110	1	GUARNIZIONE PORTA RB/RP142	DOOR GASKET RB/RP142	JOINT DE PORTE RB/RP142	TUERDICHTUNG RB/RP142	JUNTA PUERTA RB/RP142
44	A34100780	1	TERMOSTATO SICUREZZA 320°C	SAFETY THERMOSTAT 320°C	THERMOSTAT DE SECURITE 320°C	SICHERHEITS-THERMOSTAT 320°C	KIT TERMOSTATO SEGURIDAD 320°C
45	A34100880	2	TELERUTTORE 3RT1016-1A	CONTACTOR 3RT1016-1A	CONTACTEUR 3RT1016-1A	SCHUETZ 3RT1016-1A	CONTACTOR 3RT1016-1A

Storia delle revisioni

Nr.	Data	Punto	Natura della correzione	Type of correction	Type de correction	Sentido de la correccion	Verbesserungsart

3шт-06щентт
vsezip.ru
+7(812)987-08-81

Verifica: Ufficio tecnico

Emissione: Ufficio tecnico

Approvazione: Direzione tecnica