

Зип Общепит
vsezip.ru
+7(812)987-08-81

Icematic®

Spare parts list • *Catalogo ricambi*
Catalogues pièces détachées



Cod. 71503337/0 - 06/2003

N21S
R134a

HOW TO ORDER SPARE PARTS

In order to avoid expensive delays or mistakes by delivery, when you order spare parts, be sure to have indicated the right code-number, the complete description you can find on the list and the quantity for each requested part. Please also include the name of the model for which the spare parts are requested and its own serial number.

COME ORDINARE LE PARTI DI RICAMBIO

Al fine di evitare costosi ritardi od errori nella spedizione, quando ordinate le parti di ricambio, accertatevi di indicare il numero di codice, la descrizione completa che trovate sull'elenco e la quantità per ogni parte di ricambio richiesta. Includere inoltre il nome del modello per cui sono richieste le parti di ricambio ed il suo numero di serie.

COMMENT COMMANDER LES PIÈCES DETACHEÉS

Pour éviter des retards coûteux ou des erreurs dans la livraison, au moment de commander les pièces détachées nous vous prions de bien vouloir vous assurer d'avoir indiqué la référence, la description complète que vous trouvez dans la liste et la quantité pour chaque pièce détachée demandée. Inclure en outre le nom du modèle pour lequel les pièces sont demandées et le numero de série.

WIE DIE ERSATZTEILE BESTELLT WERDEN SOLLEN

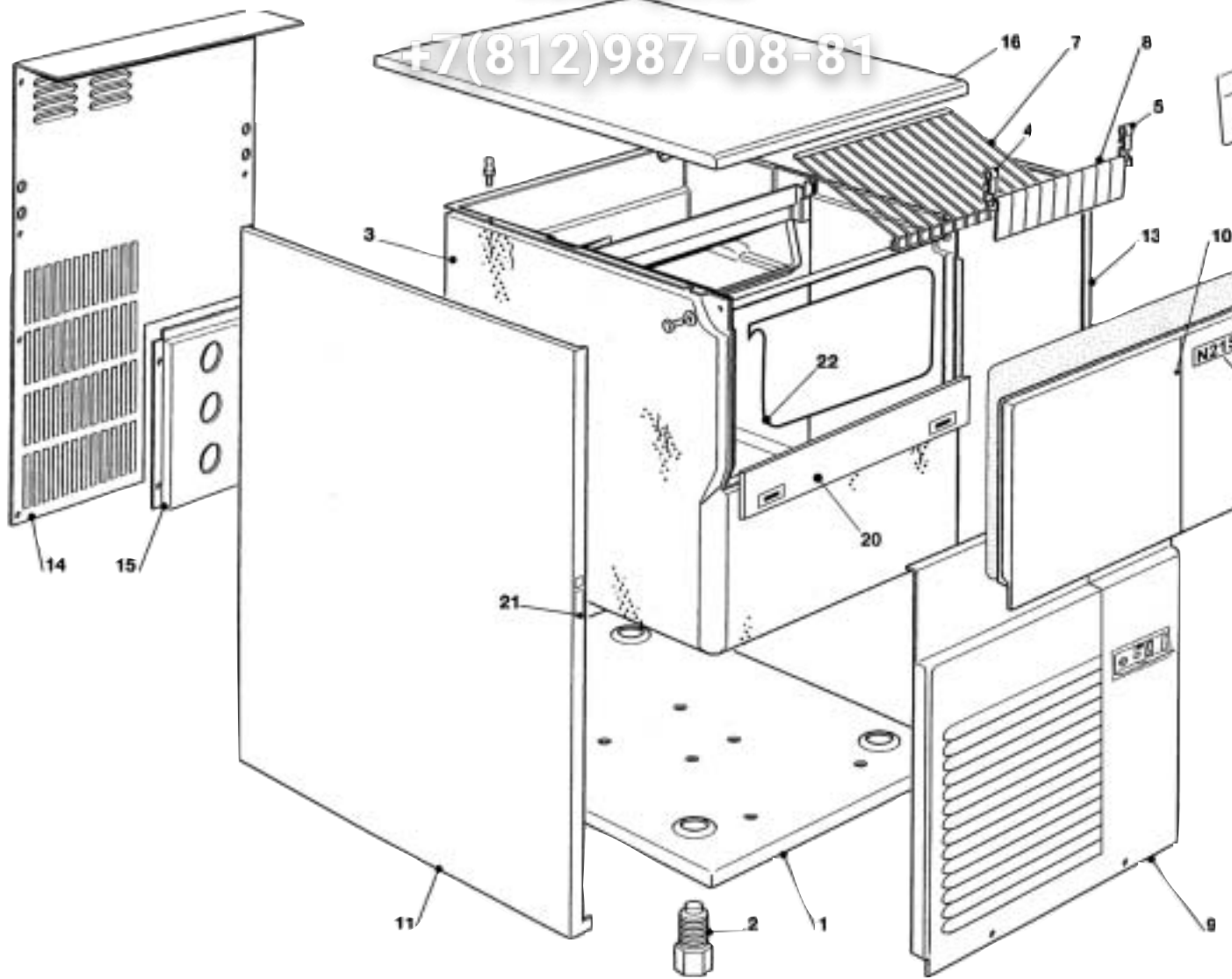
Um Fehl-b.z.w. verspätete Lieferungen zu vermeiden, geben Sie bei den Ersatzteilbestellungen die Kodenummer an. Volle Beschreibung wie in Katalog ersichtlich und Menge für sämtliche bestellte Ersatzteile sollten ebenfalls engegeben werden. Schließlich die bestellten Ersatzteile entsprechende Seriennummer hinweisen.

Зип Ощепит

vsezip.ru

+7(812)987-08-81

3



N 21 - UNIT PANELS - ASSIEME MOBILE - ENS. CARROSSERIE - MACHINE

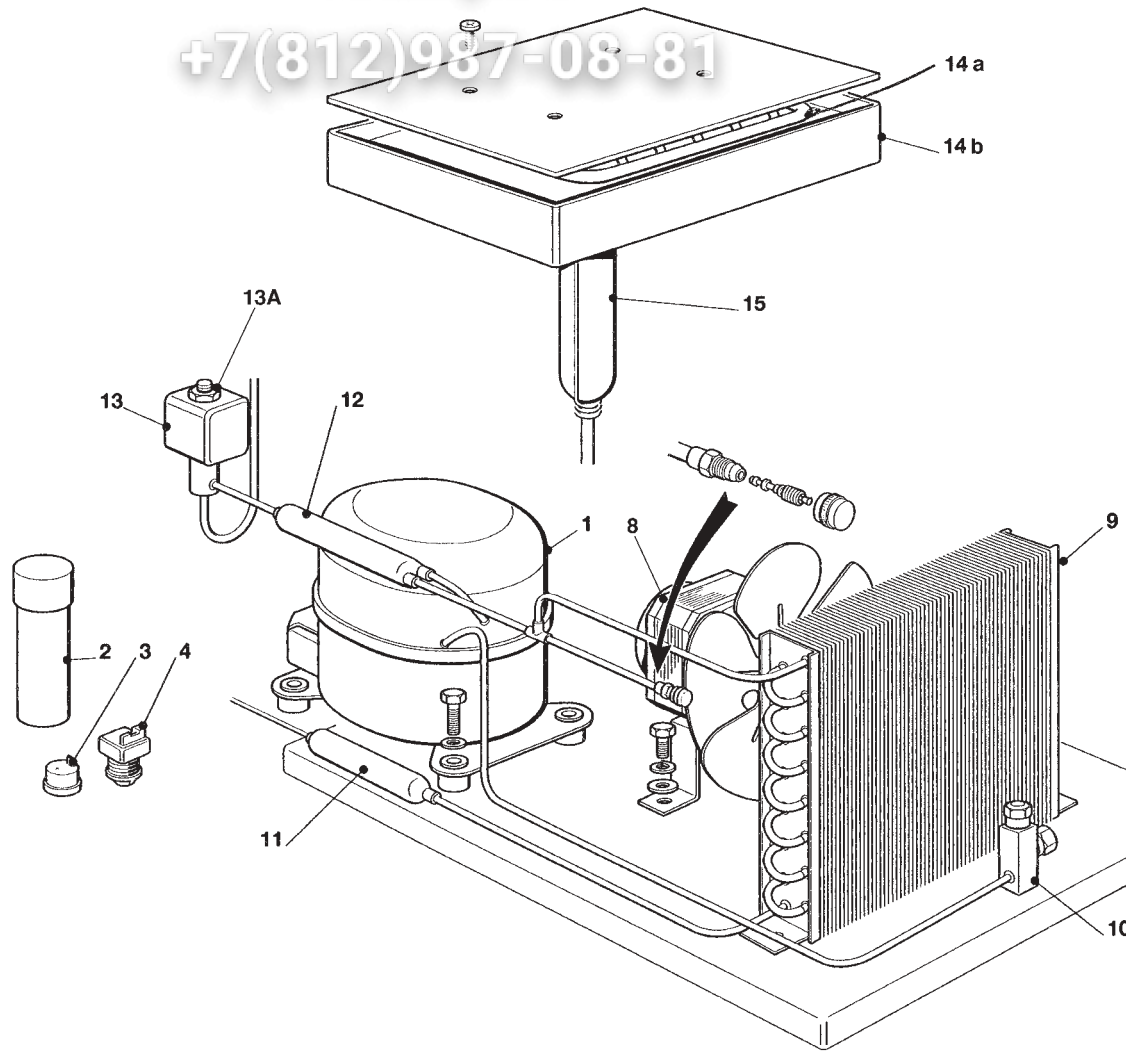
ITEM NO POS. NO REP. NO REF. NO	PART NO CODICE REFERENCE STUECK NR	DESCRIPTION	DESCRIZIONE	DESIGNA
1	25115018/0	BASE	PIASTRA BASE	PLAQUE DE BASE
2	19490005/0	LEG	PIEDE REGOLABILE	PIED R_GLABE
3	81401642/0	INSULATED BIN ASSY	ASSIEME CELLA ISOLATA	ENS. CABINE
4	19797108/0	LEFT CURTAIN HOLDER	SUPP. TEND. DS	SUPPORT RIDEAU DR
5	19797109/0	RIGHT CURTAIN HOLDER	SUPP. TEND. SN	SUPPORT RIDEAU GA
6	81401598/0	COUNTER DOOR	CONTROPORTA	CONTRE PORTE
7	19680501/0	CUBES SLIDING/GRID	GRIGLIA SCORRIMENTO CUBETTI	GRILLE GLISSEMENT
8	81401600/0	CURTAIN ASSY	ASSIEME TENDINA	ENS. LAMELLE
9	25610102/0	FRONT PANEL S.S	PRESA D'ARIA	PANNEAU AVANT ACI
10	25600186/0	BIN DOOR	PORTA	PORTE CABINE
11	25330773/0	LEFT SIDE PANEL S.S.	PANNELLO SINISTRO INOX	PANNEAU GAUCHE A
13	25330774/0	RIGHT SIDE PANEL S.S.	PANNELLO DESTRO INOX	PANNEAU DROITE AC
14	25547147/0	REAR PANEL	PANNELLO POSTERIORE	PANNEAU POSTERIEU
15	25726521/0	METAL BRACKET FOR FITTING	SUPPORTO ATTACCHI	SUPPORT DE RACCO
16	25161126/0	TOP PANEL S.S.	PANNELLO SUPERIORE INOX	ENS. COUVERCLE
17	25550743/0	DOOR INSUL. PANEL	PANN. ISOLAM. PORTA	PANNEAU ISOLATION
18	25175224/0	FRONT PANEL	CRUSCOTTO	PANNEAU FRONTAL
19	19355005/0	MAGNET	MAGNETE	AIMANT
20	81401599/0	DOOR SUPPORT	ASS. TRAV. SUPP. PORTA CORRENTE	ENTRETOISE SUPP. P
21	19490018/0	BUMPER	PARACOLPI	PROTEGE COUPS
22	25260474/0	ICE DEFLECTOR	DEFLETTORE GHIACCIO	DEFLECTEUR GLACE
23	25260475/0	DOOR DEFLECTOR	DEFLETTORE PORTA	DEFLECTEUR PORTE
24	25110913/0	FIXING WASHER FOR DOOR DEFLECTOR	BUSSOLA FISSAGGIO DEFLETTORE PORTA	DOUILLE FIXATION DU D
50	19120434/0	PUSH	CHIUSURA PUSH	FERMETURE "PUSH"
51	33400053/0	GREEN LIGHT SWITHC	INTERRUTTORE LUMINOSO VERDE	INTERRUPTEUR LUMI
52	25570459/0	CONTROL SUP. PLATE FOR AIR COOLED VERS.	PIASTRA SUPP. COMANDI AIR VERSION	PLAQUE SUPPORT COMMANDES
52A	25570460/0	CONTROL SUP. PLATE FOR WATER COOLED VERS.	PIASTRA SUPP. COM. WATER VERSION	PLAQUE SUPPORT COMMANDES
53	25161138/0	COVER BOX CONTROL	COPERCHIO COMANDI	COUVERCLE
54	33470507/0	RED LIGHT ALLARM	SPIA LUMINOSA ROSSA	ALARME LUMINEUX R
55	25740074/0	LABEL	TARGHETTA DI DENOMINAZIONE	PLAQUETTE

Зип Ощепит

vsezip.ru

+7(812)987-08-81

5



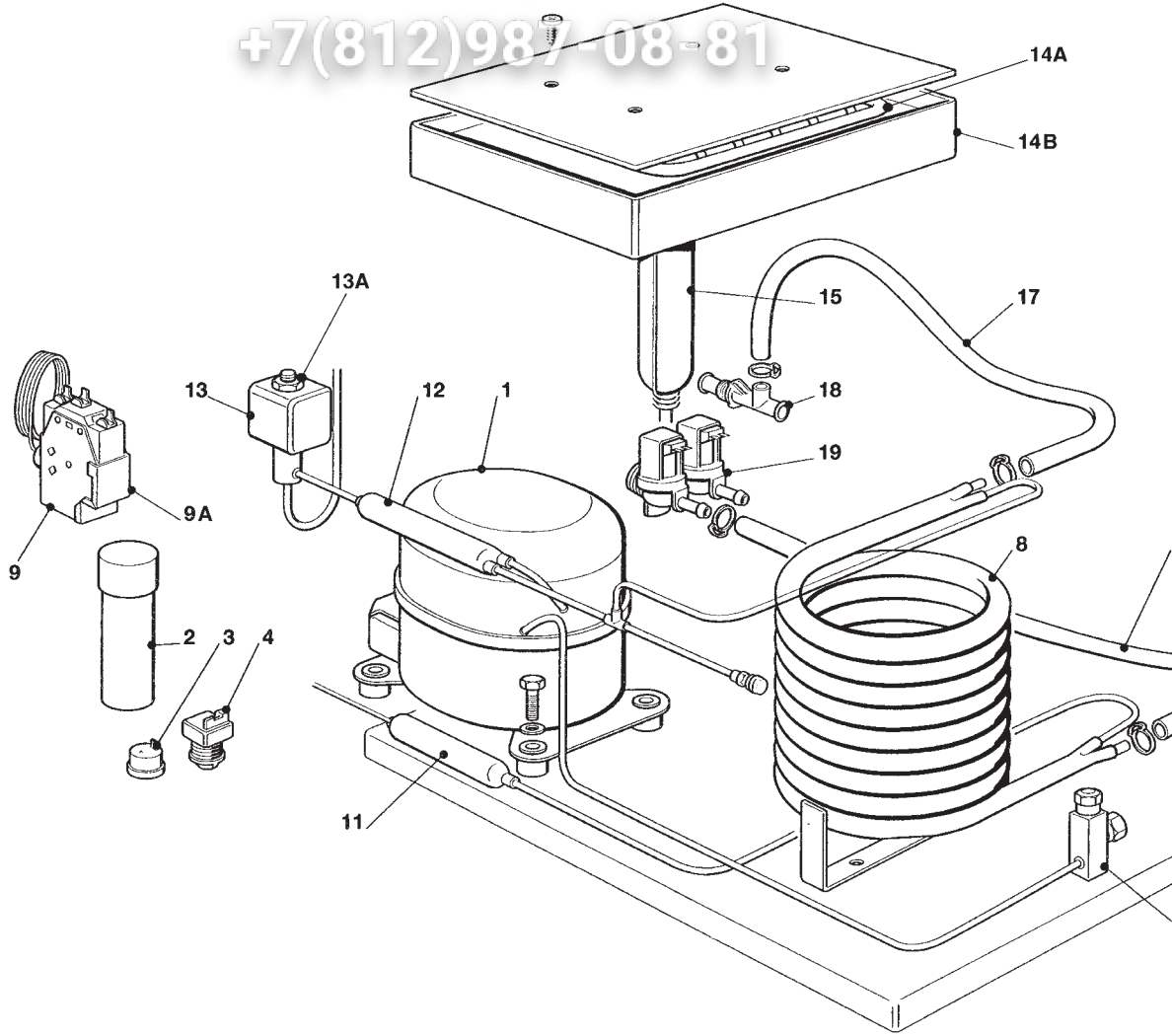
**N 21 - REFRIGERANT SYSTEM AIR COOLED - SISTEMA REFRIGERANTE RAFFREDDAMENTO ARIA
CIRCUIT FRIGORIFIQUE REFRIG. PAR AIR - LUFTGEKÜHLT GEFRIERSYSTEM**

ITEM NO POS. NO REP. NO REF. NO	PART NO CODICE REFERENCE STUECK NR	DESCRIPTION	DESCRIZIONE	DESIGNAZIONE
1	19165853/0	COMPRESSOR	COMPRESSORE	COMPRESSEUR
2	CM 620167 23	START CAPACITOR	CONDENSATORE D'AVVIAMENTO	CAPACITE DE DEMARRAGE
3	CM 620058 54	PROTECTOR	PROTETTORE	PROTECTEUR
4	CM 620057 32	RELAY	RELÉ	RELAIS
8	18562509/0	FAN MOTOR	MOTOVENTILATORE	MOTO-VENTILATEUR
9	19177511/0	AIR COOLED CONDENSER	CONDENSATORE AD ARIA	CONDENSEUR
10	25791541/0+19864900/0	REFRIGERANT SERVICE VALVE	RUBINETTO CARICA FREON	ROBINET CHARGEMENT
11	19300802/0	DRIER	FILTRO DEUMIDIFICATORE	FILTRE DESHYDRATEUR
12	19301262/0	MECHANICAL FILTER	FILTRO MECCANICO	FILTRE MECANIQUE
13	19053102/0	HOT GAS VALVE COIL	BOBINA VALVOLA GAS CALDO	BOBINE VANNE GAZ
13A	19863041/0	HOT GAS VALVE BODY	CORPO VALVOLA GAS CALDO	CORP VANNE GAZ
14A	19270067/0	EVAPORATOR ASSY	ASSIEME EVAPORATORE	ENS. EVAPORATEUR
14B	19490008/0	EVAPORATOR PLATE	PIASTRA EVAPORATORE	PLAQUE EVAPORATEUR
15	81401617/0	ACCUMULATOR ASSY	ASSIEME ACCUMULATORE	ENS. ACCUMULATEUR

Зип Общепит

vsezip.ru

+7(812)987-08-81



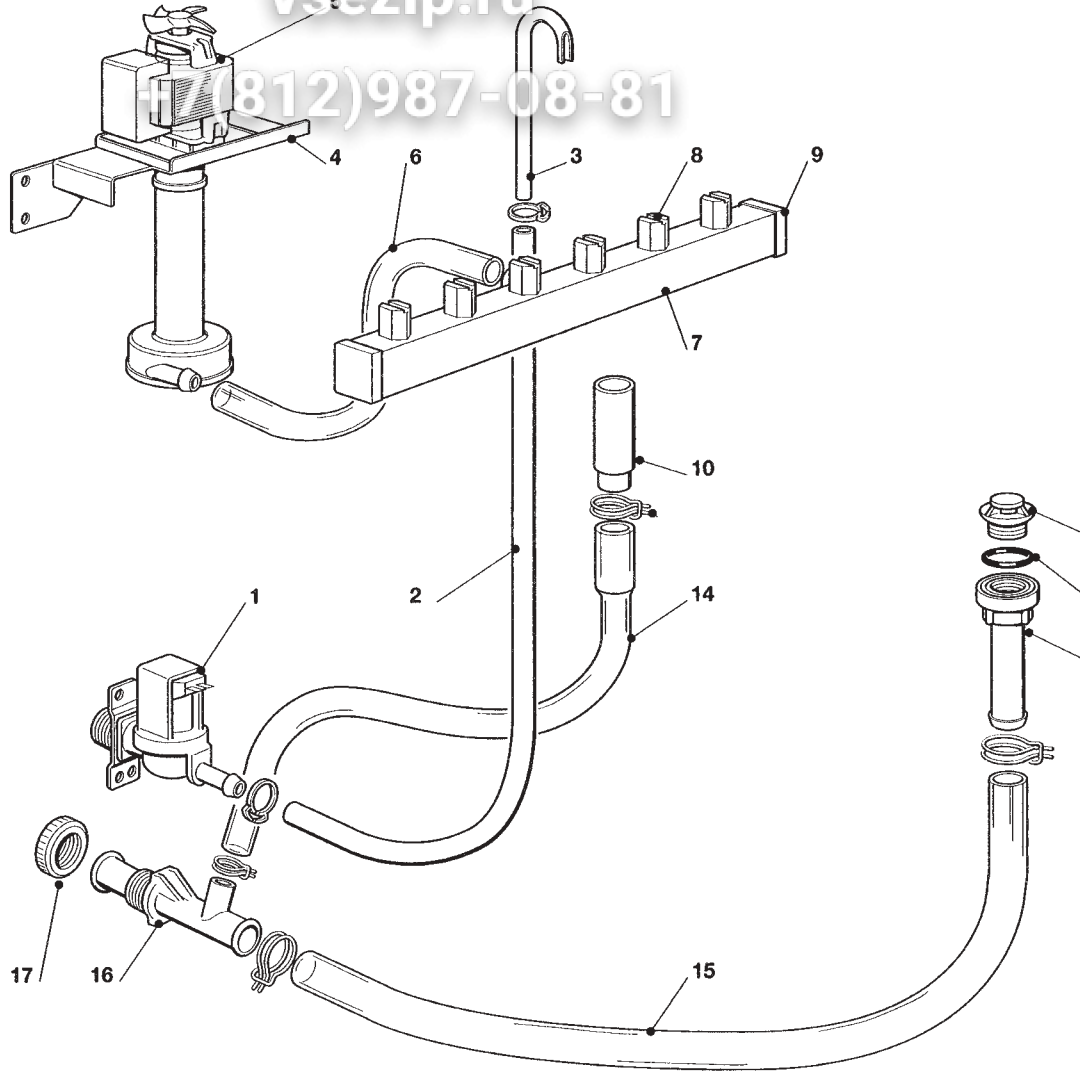
**N 21 - REFRIGERANT SYSTEM WATER COOLED - SISTEMA REFRIGERANTE RA
CIRCUIT FRIGORIFIQUE REFRROID. PAR EAU - WASSER KONDENSAT**

ITEM NO POS. NO REP. NO REF. NO	PART NO CODICE REFERENCE STUECK NR	DESCRIPTION	DESCRIZIONE	DESIGNA
1	1916853/0	COMPRESSOR	COMPRESSORE	COMPRESSEUR
2	CM 620167 23	START CAPACITOR	CONDENSATORE D'AVVIAMENTO	CAPACITE DE DEMAR
3	CM 620058 54	PROTECTOR	PROTETTORE	PROTECTEUR
4	CM 620057 32	RELAY	RELÉ	RELAIS
8	81401618/0	WATER COOLED CONDENSER	CONDENSATORE ACQUA	CONDENSEUR A EAU
9	19550372/0	PRESSURE CONTROL	PRESSOSTATO	PRESSOSTAT
9A	25725437/0	PRESSURE CONTROL SUPPORT	SUPPORTO PRESSOSTATO	SUPPORT PRESSOSTA
10	25791541/0+19864900/0	REFRIGERANT SERVICE VALVE	RUBINETTO CARICA FREON	ROBINET CHARGEME
11	19300802/0	DRIER	FILTRO DEUMIDIFICATORE	FILTRE DESHYDRATE
12	19301262/0	MECHANICAL FILTER	FILTRO MECCANICO	FILTRE MECANIQUE
13	19053102/0	HOT GAS VALVE COIL	BOBINA VALVOLA GAS CALDO	BOBINE VANNE GAZ
13A	19863041/0	HOT GAS VALVE BODY	CORPO VALVOLA GAS CALDO	CORP VANNE GAZ CH
14A	19270067/0	EVAPORATOR ASSY	ASSIEME EVAPORATORE	ENS. EVAPORATEUR
14B	19490008/0	EVAPORATO PLATE	PIASTRA EVAPORATORE	PLAQUE EVAPORATE
15	81401617/0	ACCUMULATOR ASSY	ASSIEME ACCUMULATORE	ENS. ACCUMULATEU
16	25791532/0	PLASTIC TUBE - PER METER	TUBO PVC - PER METRO	TUYAU EN PLASTIQU
17	25791533/0	PLASTIC TUBE - PER METER	TUBO PVC - PER METRO	TUYAU EN PLASTIQU
18	25631043/0	WATER DRAIN FITTING	RACCORDO SCARICO ACQUA	RACCORD EVACUATI
19	19865538/0	WATER INLET VALVE	ELETTRIVALVOLA DOPPIA	VANNE ARRIVÉE EAU

Зип Общепит

vsezip.ru

+(812)987-08-81



N 21 - WATER SYSTEM - CIRCUITO IDRAULICO - CIRCUIT HYDRAULIQUE - WA

СИСТЕМА ОБЪЕКТОВ

vsezip.ru

+7(812)987-08-81

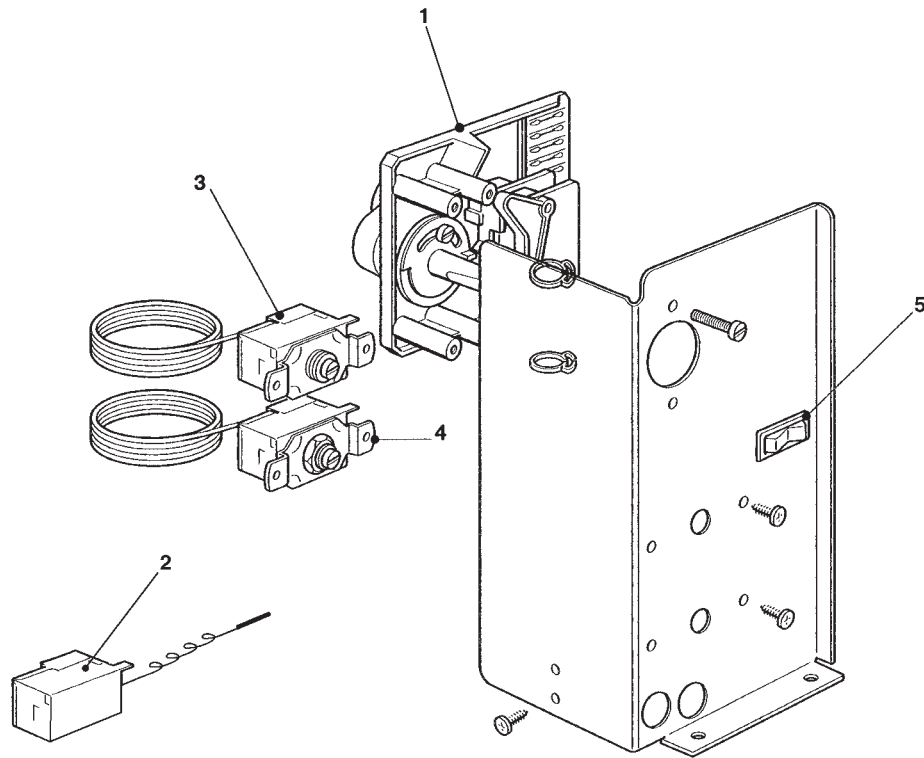
10

ITEM NO POS. NO REP. NO REF. NO	PART NO CODICE REFERENCE STUECK NR	DESCRIPTION	DESCRIZIONE	DESIGNA
1	19865518/0	WATER INLET VALVE - AIR COOLED	ELETTROVALVOLA INGR. ACQUA	ELECTROVANNE ARR
2	25791531/0	PLASTIC TUBE - PER METEF	TUBO INGRESSO ACQUA	TUYAU EN PLASTIQU
3	25791458/0	WATER INLET COPPER PIPE	TUBO RAME INGR. ACQUA	TUYAU ENTREE EA
4	25726522/0	METAL BRACKET	SUPPORTO POMPA INOX	SUPPORT METALLIQU
5	19550113/0	WATER PUMP	POMPA	POMPE EAU
6	25791457/0	PUMP INLET WATER PIPE	TUBO MANDATA POMPA	TUYAU DE REFOULEM
7	25791456/0	SPRAY BAR	TUBO SPRUZZATORE	COLLECTEUR
8	25799001/0	SPRAY JET	SPRUZZATORI	GICLEURS
9	25728011/0	PLUG	TAPPO	BOUCHON POUR CO
10	19820010/0	OVERFLOW STAND PIPE	TUBO DI TROPPO PIENO	TROP PLEIN
11	25685317/0	DRAIN FITTING	SCARICO CELLA	TUYAU EVACUATION
12	19035151/0	O RING	O-RING	JOINT TORIQUE
13	25339005/0	DRAIN FILTER	FILTRO SCARICO CELLA	FILTRE CABINE STOOC
14	25791455/0	OVERFLOW DRAIN TUBE	TUBO SCARICO TROPPO PIENO	TUYAU VIDANGE TRO
15	25791454/0	STORAGE BIN DRAIN TUBE	TUBO SCARICO CONTENITORE	TUYAU VIDAGE CONT
16	25631035/0	WATER DRAIN FITTING	RACCORDO A "T"	RACCORD EVACUATI
17	19305022/0	PLASTIC RING NUT	GHIERA	COLLIER DE SERRAG

Зип Общепит

vsezip.ru

+7(812)987-08-81



N 21 - CONTROL BOX - SCATOLA DI CONTROLLO - BOITE ELECTRIQUE - SCH

3m Общепит

vsezip.ru

+7(812)987-08-81

ITEM NO POS. NO REP. NO REF. NO	PART NO CODICE REFERENCE STUECK NR	DESCRIPTION	DESCRIZIONE	DESIGNA
1	19800001/0	TIMER	TIMER	MINUTERIE
2	19797026/0	BINTHERMOSTAT	THERMOSTATO CONTENITORE	THERMOSTAT CONTE
3	19797009/0	EVAPORATOR THERMOSTAT	THERMOSTATO EVAPORATORE	THERMOSTAT EVAPO
4	19797023/0	THERMOSTAT CONTROL - SAFETY	THERMOSTATO DI SICUREZZA	THERMOSTATO DE SEC
5	33400049/0	SWITCH	COMMUTATORE UNIPOLARE	INTERRUPTEUR

NOTE

Зип Общепит

vsezip.ru

+7(812)987-08-81

Зип Общепит
vsezip.ru
+7(812)987-08-81

Castel MAC SpA

Via del Lavoro, 9 C.P. 67
I - 31033 Castelfranco Veneto (TV) Italy
Tel. (0423) 738452 - Fax (0423) 722811
E-mail: service@castelmac.it
Web-site: www.castelmac.it

Cod. 71503337/0 - 06/2003

