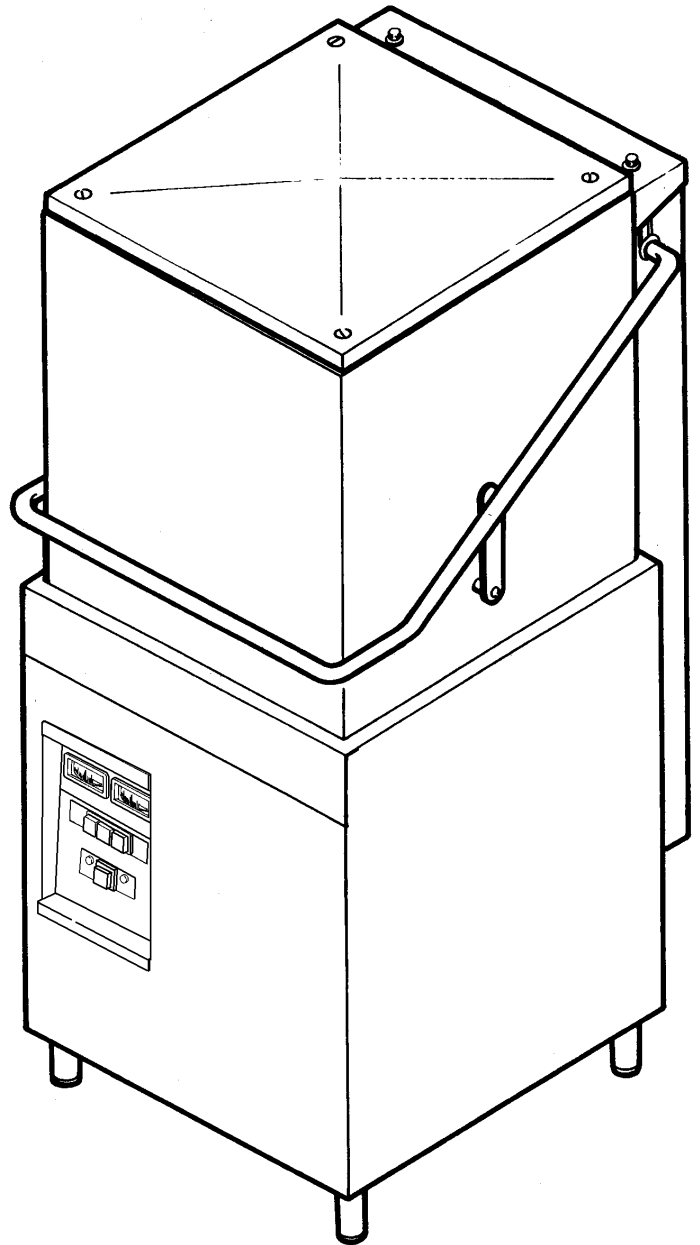


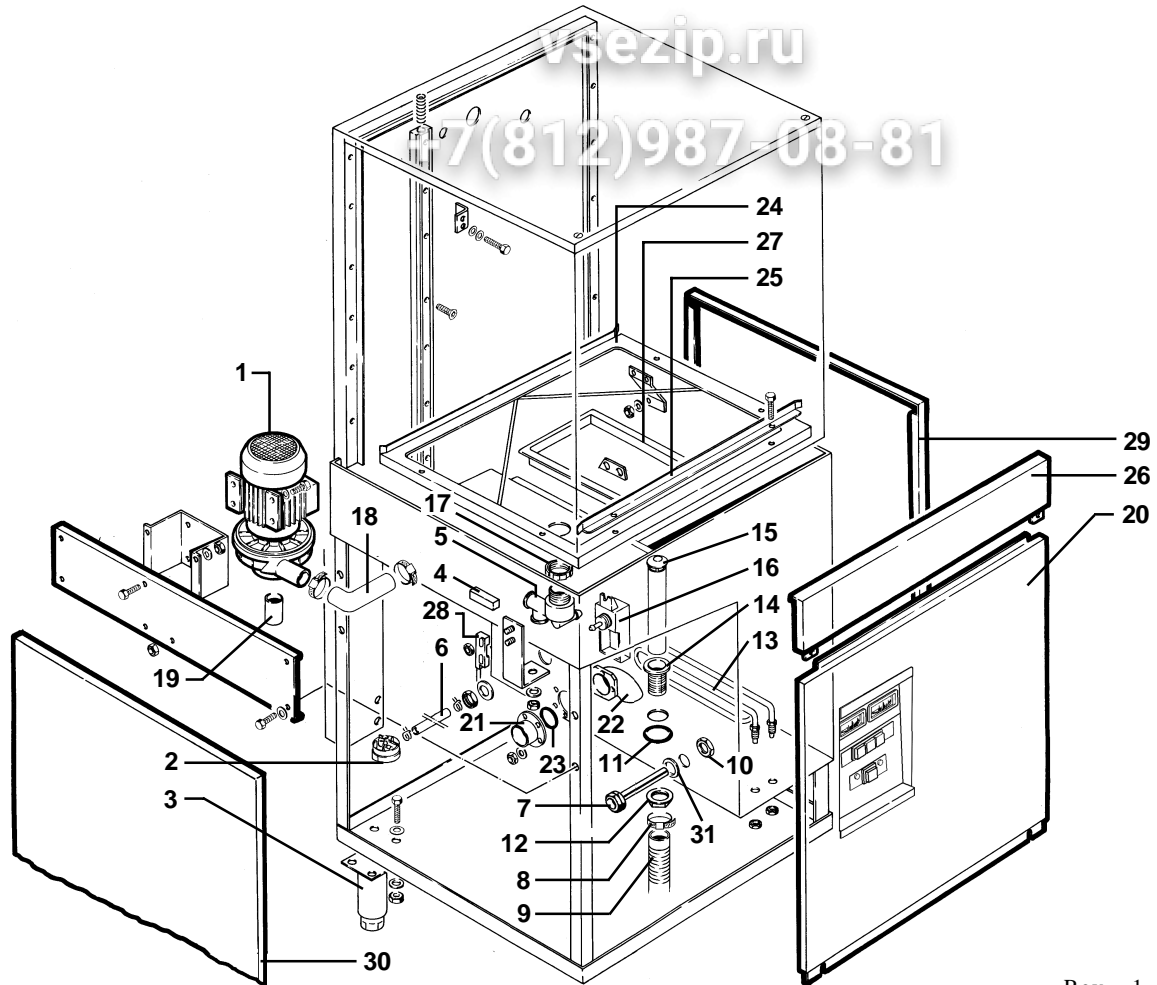
Зип Общежит
vsezip.ru
+7(812)987-0818

LAVASTOVIGLIE INDUSTRIALI
INDUSTRIAL DISHWASHER
LAVE-VAISSELLE INDUSTRIELS
INDUSTRIEGESCHIRRSPÜLES

1000

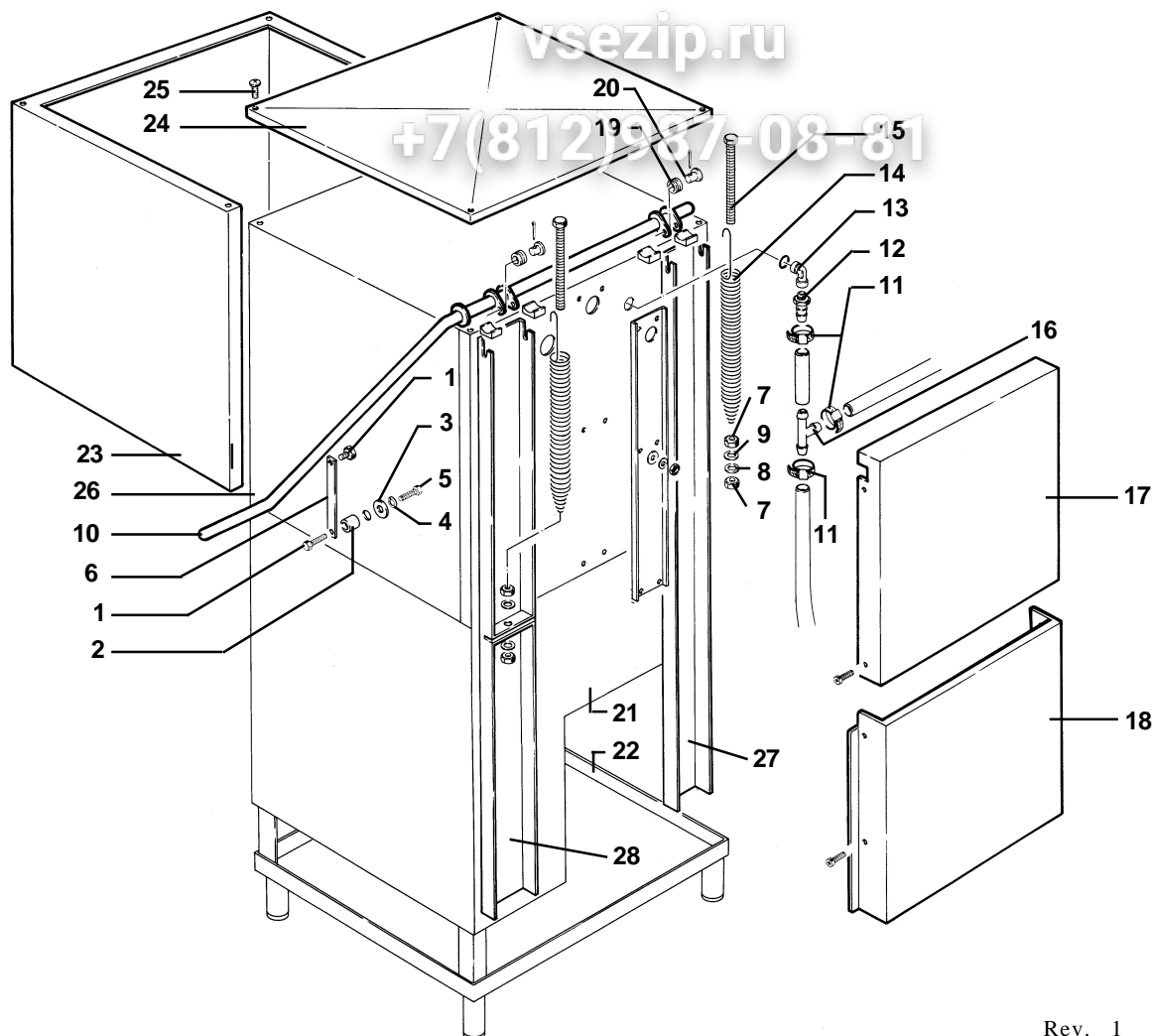


MANUALE DI RICAMBIO
SPARE PARTS
CATALOGUES PIÉCES
ERSATZTEILEKATALOG



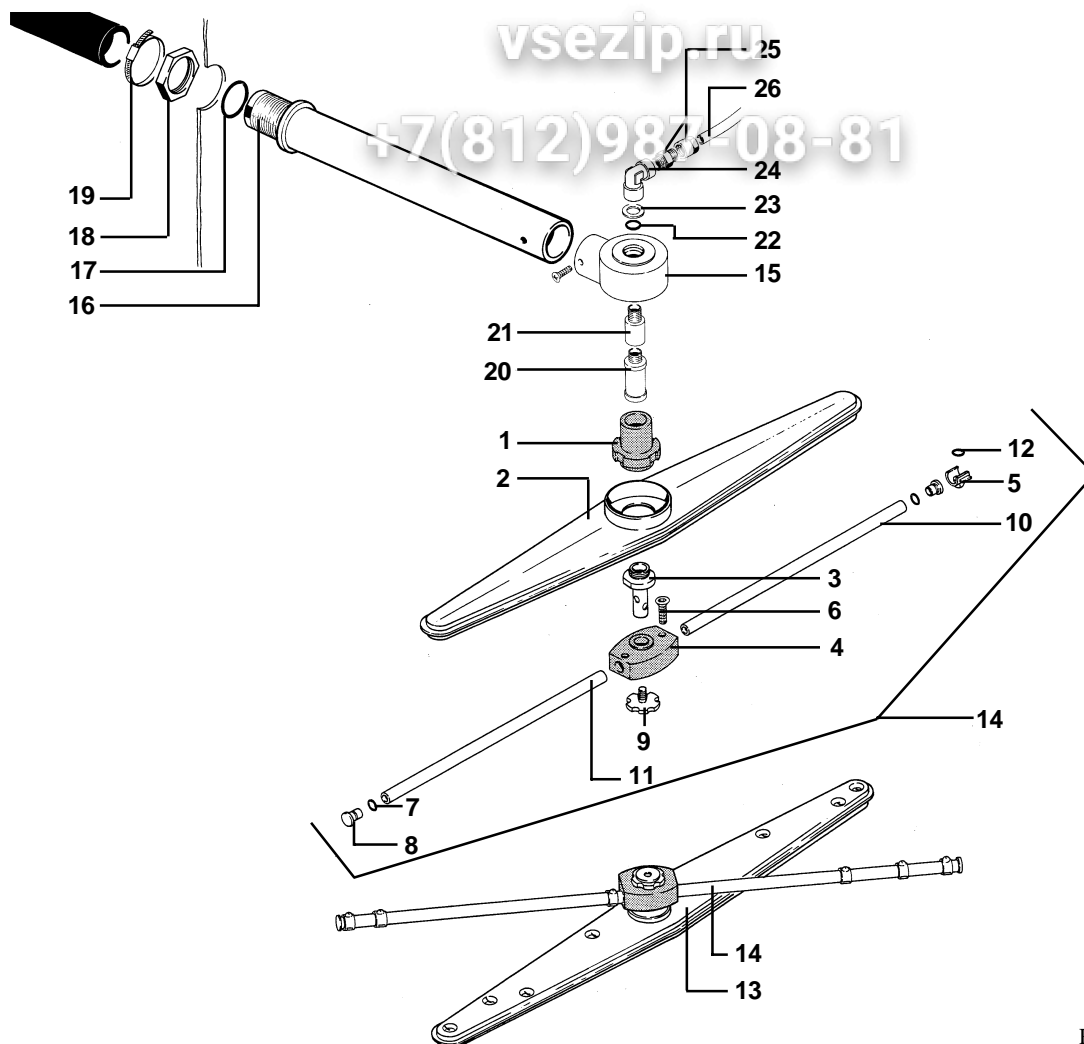
Rev. 1 10/00

Pos	COD.	DESCRIZIONE	DENOMINATION	DESCRIPTION	BEZEICHNUNG
1	902305	POMPA	POMPE	PUMP	PUMPE
2	905275	PRESSOSTATO	PRESSOSTAT	PRESSURE SWITCH	DRUCH WAECHTER
3	TR0299	PIEDINO REGOLABILE	PIED REGABLE	RUBBER LEG	EINSTELLBARER SOCKEL
4	TR0220	MAGNETE	MAGNETO	MAGNET	MAGNET
5	900031	MOZZO INFERIORE	MOYEU INFRIEUR	LOWER HUB	UNTERENABE
6	907272	TUBO PRESSOSTATO	TUYAU PRESSOSTAT	PRESSURE SWITCH PIPE	SCHLAUCH
7	905191	PORTABULBO	SIEGE DE BULBE	SEATING BULB	KUGEL SITZ
8	902460	FASCETTA 26 ÷ 38	COLLIER	CLAMP	SHELLE
9	907450	TUBO SCARICO	TUYAU DE DECHARGE	PIPE FITTING FOR OUTLET	ABLAUFANSCHLUSS
10	902061	GHIERA 1/2" GAS	VIROLE	LOCK NUT	NUT-MUTTER
11	904380	O-RING	O-RING	O-RING	O-RING
12	902080	GHIERA 1" 1/4 GAS	VIROLE	LOCK NUT	NUT-MUTTER
13	905748	RESISTENZA 3000W	RESISTANCE	HEATING ELEMENT	HEIZKÖRPER
14	905450	RACCORDO SCARICO	RACCORD DE DECHARGE	PIPE FITTING FOR OUTLET	ABLAUFANSCHLUSS
15	907329	TROPPO PIENO	NIVEAU	OVER FLOW	VERBELAUF
16	TR0268	TRAPPOLA ARIA	RESERVOIR AIR	AIR TRAP	LUFT FALLE
17	900035	GHIERA 1" 1/2 GAS	VIROLE	LOCK NUT	NUT MUTTER
18	903684	MANICOTTO MANDATA	MANCHON DE REFOULEM.	OUTLET ELBOW	AUSLASSMUFFE
19	903701	MANICOTTO ASPIRAZIONE	MANCHON D'ASPIRATION	INTAKE PIPE FITTING	ANSAUGANSCHLUSSE
20	904519	PANNELLO COMANDI	PANNEAU COMAND	CONTROL PANEL	SCHALTAFEL
21	901653	RACCORDO ASPIRAZIONE	RACCORD D'ASPIRATION	ONTAKE PIPE FITTING	ABLAUFANSCHLUSS
22	TR0977	RACCORDO ASPIRAZIONE	RACCORD D'ASPIRATION	ONTAKE PIPE FITTING	ABLAUFANSCHLUSS
23	904395	O-RING	O-RING	O-RING	O-RING
24	906406	TELAIO PORTACESTELLI	CHASSIS PORTE PANIER	TRACK	FUHRUNG
25	901671	GUIDA PER CESTELLI	COULISSE PANIER	BASKET GUIDE	KORBUFUHRUNG
26	904583	PANNELLO FRONTALE	PANNEAU FRONTAL	FRONT PANEL	FRONT VERKLEIDUNG
27	902646	FILTRO SUPERFICIE	FILTRE	FILTER	FILTER
28	TR0666	REED MAGNETICO	REED	REED	REED
29	904666	PANNELLO LATERALE DX	PANNEAU DROITE	RIGHT PANEL	RECHTE VERKLEIDUNG
30	904667	PANNELLO LATERALE SX	PANNEAU GAUCHE	LEFT PANEL	LINKE VERKLEIDUNG
31	903250	GUARNIZIONE 1/2" GAS	JOINT	GASKET	DICHTUNG



Rev. 1 10/00

Pos	COD.	DESCRIZIONE	DENOMINATION	DESCRIPTION	BEZEICHNUNG
1	904771	PERNO SNODO	PIVOT A GENOU	JOINT PIN	GELENKBOLZEN
2	900514	BUSSOLA PER SNODO	DOUILLE	BEARING	BUCHSE
3	906050	RONDELLA PIANA	RONDELLE	WASHER	UNTER LEGSCHEIBE
4	905940	RONDELLA GROWER Ø 8	RONDELLE	WASHER	UNTER LEGSCHEIBE
5	907820	VITE M8x12	VIS	SCREW	SCHRAUBE
6	904930	PIASTRINA	PLAQUE	PLATE	PLATTE
7	902022	DADO M10	ECROU	NUT	MUTTER
8	905941	RONDELLA GROWER Ø 10	RONDELLE	WASHER	UNTER LEGSCHEIBE
9	906055	RONDELLA PIANA Ø 10	RONDELLE	WASHER	UNTER LEGSCHEIBE
10	903900	MANIGLIONE	POIGNEE	HANDLE	HANDRIFF
11	902440	FASCETTA 13÷20	COLLIER	CLAMP	SHELLE
12	908128	RACC. PORTA GOMMA ¼"	RACCORD	PIPE FITTING	ANSCHLUSS
13	908120	RACCORDO A GOMITO ¼"	RACCORD	PIPE FITTING	ANSCHLUSS
14	904133	MOLLA SOLLEV. CAPOT	RESSORT	SPRING	FEDER
15	907222	TIRANTE MOLLA	TIRANT	CONNECTING ROD	ZUGSTAB
16	905382	RACCORDO DOSATORE	RACCORD	PIPE FITTING	ANSCHLUSS
17	904662	PANNELLO POST. SUP.	PANNEAU POST. SUPER.	UPPER BACK PANEL	HINTERE VERKLEIDUNG
18	904663	PANNELLO POST. INF.	PANNEAU POST. INFER.	LOWER BACK PANEL	HINTERE VERKLEIDUNG
19	906066	ROTELLA SUPP. MOLLA	GALET PIVOTANT	SMALL WHELL	RADCHEN
20	904796	PERNO ROTELLA	PIVOT D'ACCROCHAGE	HOOKING PIN	KUPLUNGSBOLZEN
21	901950	VASCA	CUVE	TANK	TANK
22	900300	BASAMENTO	SOCLE	BASE	UNTERSTRUKTUR
23	900907	COPERTURA CAPOT	COUVERCLE CAPOT	CAPOT COVER	GEHASE DECKEL
24	904711	PANNELLO SUPERIORE	PANNEAU SUPERIEUR	UPPER SIDE PANEL	OBER VERKLEIDUNG
25	907785	VITE TCBL M6x11	VIS	SCREW	SCHRAUBE
26	900908	CAPOT	CAPOTE	HOOD	GEHASE
27	908118	LONGHERONE DX	LONGERON	BACK STAY	LANGSTRAGER
28	908119	LONGHERONE SX	LONGERON	BACK STAY	LANGSTRAGER



Rev. 0 03/99

Pos	COD.	DESCRIZIONE	DENOMINATION	DESCRIPTION	BEZEICHNUNG
1	904277	MOZZO+GHIERA	MOYEU+VIROLE	HUB+RING-NUT	NABE+KLEMMUTTER
2	902908	GIRANTE LAVAGGIO	BRAS DE LAVAGE	WASH ARM	SPÜLLARM
3	904760	PERNO GIRANTE RISC.	TOURILLON DE RINÇAGE	RINSE PIN	SPÜLLSTIFT
4	904292	MOZZO GIRANTE RISC.	MOYEU	HUB	NABE
5	902816	GETTO RISCIAQUO	JETE DE RINÇAGE	RISING JET	SPÜLLDUSE
6	907651	VITE TPSM 4x8	VIS	SCREW	SCHRAUBE
7	904321	O-RING	O-RING	O-RING	O-RING
8	906450	TAPPO PER BRACCIO RISC.	BOUCHON BRAS DE RINÇ.	PLUG FOR RINSE ARM	VERSCHLUSS SPÜLLAUF
9	902880	GHIERA BLOCCAGGIO	FRETTE DE BLOCAGE	RING-NUT	KLEMMUTTER
10	954806	BRACCIO RISCIAQUO DX	BRAS DE RINÇAGE DROITE	RIGHT RINSE ARM	RECHTE SPÜLLAUFRAD
11	954807	BRACCIO RISCIAQUO SX	BRAS DE RINÇAGE GAUCHE	LEFT RINSE ARM	LINKE SPÜLLAUFRAD
12	904388	O-RING	O-RING	O-RING	O-RING
13	903107	GIRANTE LAVAGGIO COMP.	BRAS DE LAVAGE	WASH ARM	SPÜLLARM
14	903017	GIRANTE RISCIAC. COMP.	BRAS DE RINÇAGE	SWILL ARM	SPÜLLSTIFT
15	904290	MOZZO	MOYEU	HUB	NABE
16	900164	TUBO LAVAGGIO SUPER.	TUYAU LAVAGE SUPERIEUR	UPPER WASHING ARM	OBERER SPÜLLARM
17	904380	O-RING	O-RING	O-RING	O-RING
18	902130	GHIERA 1" GAS	VIROLE	LOCK NUT	NUT-MUTTER
19	902460	FASCETTA 26÷38	COLLIER	CLAMP	SHELLE
20	904765	PERNO GIRANTE LAVAGGIO	TOURILLON DE LAVAGE	WASH PIN	WASCHSTIFF
21	907217	ADATTATORE PERNO	TOURILLON ADAPTEUR	ADAPTEUR PIN	STIFF-ANPASSUNGSGERÄT
22	904390	O-RING	O-RING	O-RING	O-RING
23	903351	GUARNIZIONE	JOINT	GASKET	DICHTUNG
24	908120	RACCORDO GOMITO	RACCORD	PIPE FITTING	ANSCHLUSSE
25	908121	RACCORDO CON OGIVA	RACCORD	PIPE FITTING	ANSCHLUSSE
26	908888	TUBO Ø 10x8 FORAFLON	TUYAU	RINSE PIPE	SPÜLLRÖHRE

