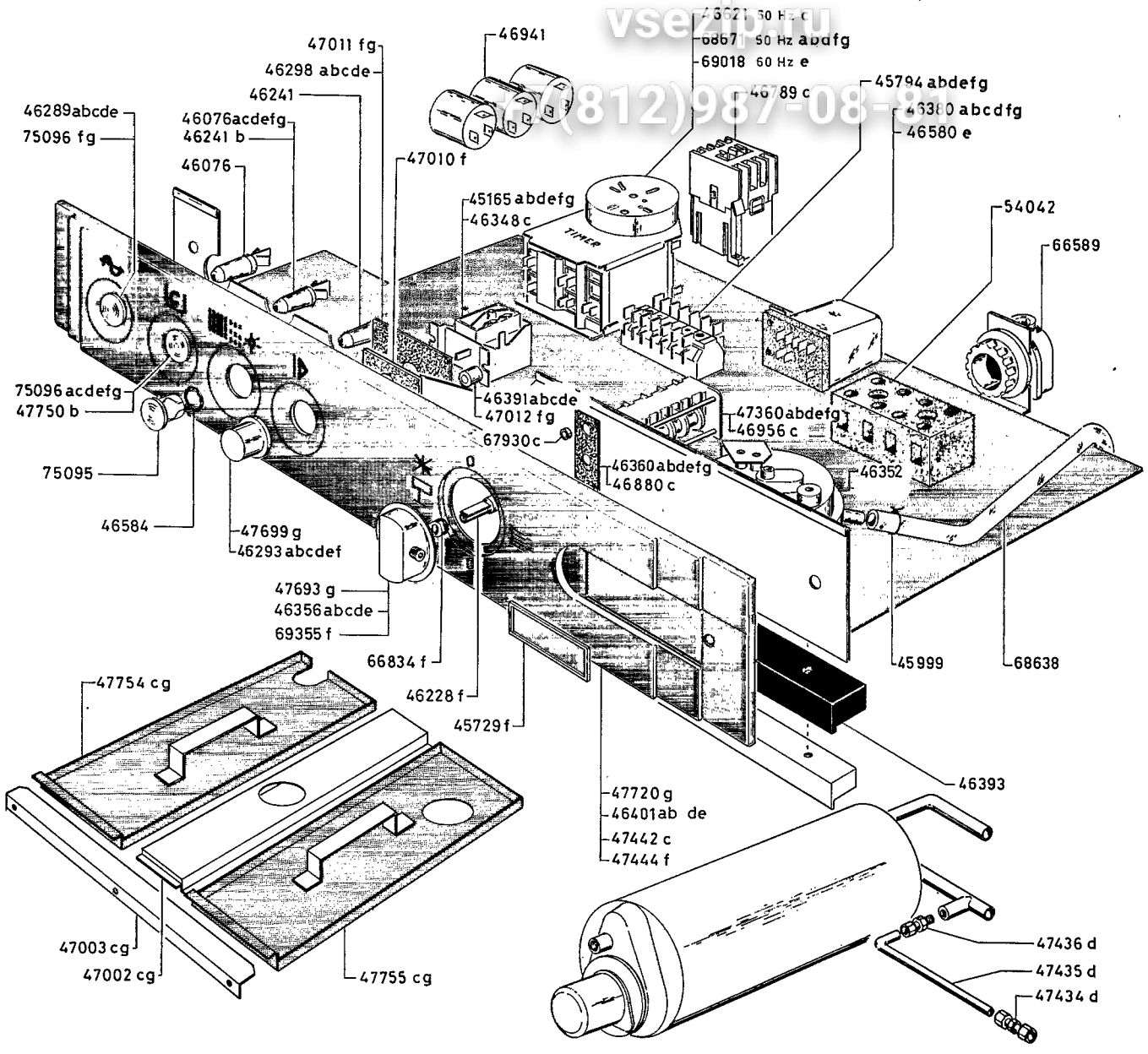


Зип Общепит

vsezip.ru

(812) 987-08-80



"LS 360" LAVASTOVIGLIE A CESTO QUADRO							RIF.	Da matricola
"LS 360" STATIONARY BASKET DISHWASHER							REF.	from serial N°
a	b	c	d	e	f	g	05 09 86	
500 120 LS 360	500 110 LS 360 D	500 042 LS 360 F	500 043 LS 360 DK	500 130 LS 360/63	727 106 7106 N	5 CF 05 B		
							06	01-52 a