

**LAVASTOVIGLIE A CARICA FRONTALE**  
**FRONT LOADING DISHWASHER****LU7 / WTU40**

Code	Type	Ref.	Pagina/ Page
------	------	------	-----------------

**PRESSIONE**

503020	LU7PDP	a	2 3 6 8
503023	WTU40PDP	b	2 3 6 8
698033	LU700PDP	c	2 3 6 8

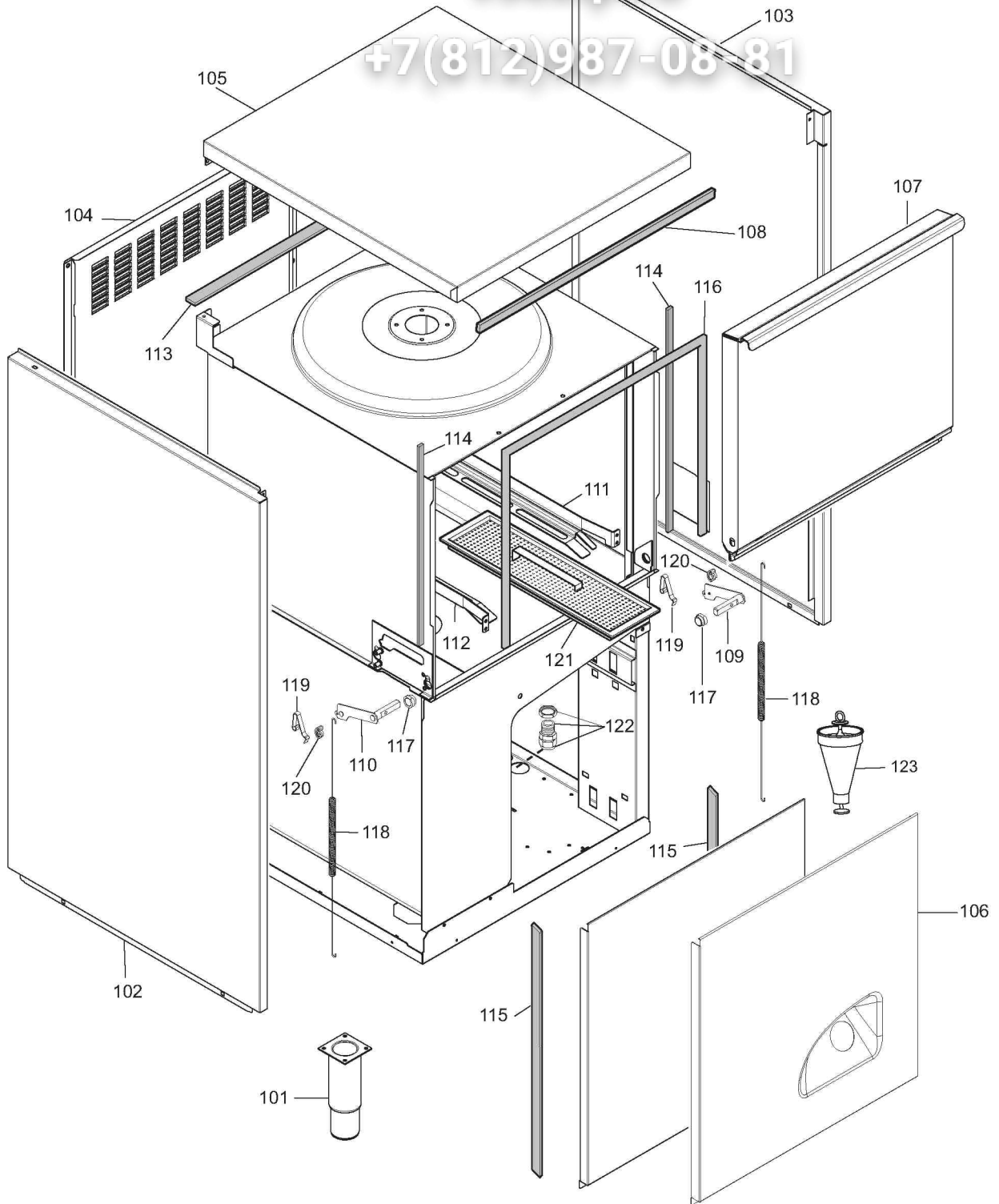
**ATMOSFERICA**

503021	LU7ADP	d	2 3 5 8
503022	LU7ADPWS	i	2 4 7 8
503024	WTU40ADP	e	2 3 5 8
503025	WTU40ADPWS	l	2 4 7 8
503026	WTU40ADPD	g	2 3 5 8
698019	ET7ADP	h	2 3 5 8
698034	LU700ADP	f	2 3 5 8
698037	LU700ADPWS	m	2 4 7 8

**Pagina/ Page****Indice/ index**

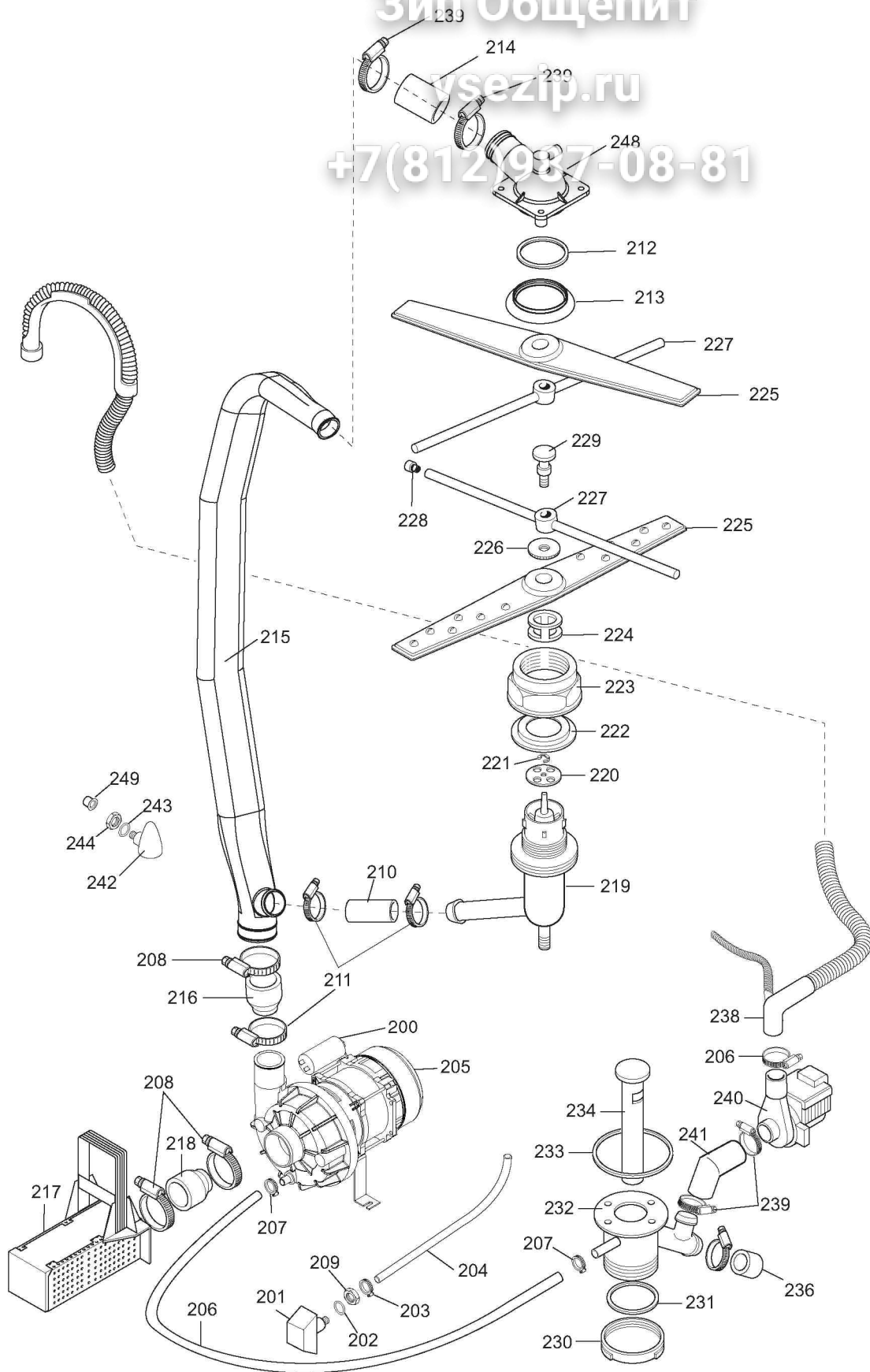
2	Vista generale / Main view
3	Componenti idraulici (non per "i,l,m") / Hydraulic components (not for "i,l,m")
4	Componenti idraulici (solo per "i,l,m") / Hydraulic components (only for "i,l,m")
5	Circuito idraulico atmosferico / Atmospheric plumbing circuit
6	Circuito idraulico a pressione / Pressurized plumbing circuit
7	Circuito idraulico WS (solo per "i,l,m") / Hydraulic circuit WS (only for "i,l,m")
8	Componenti elettrici / Electrical components
9 - 17	Lista ricambi / Spare parts list

**Marchio/ Brand: Z - A - E****Paese/ Country: Tutti/ All**

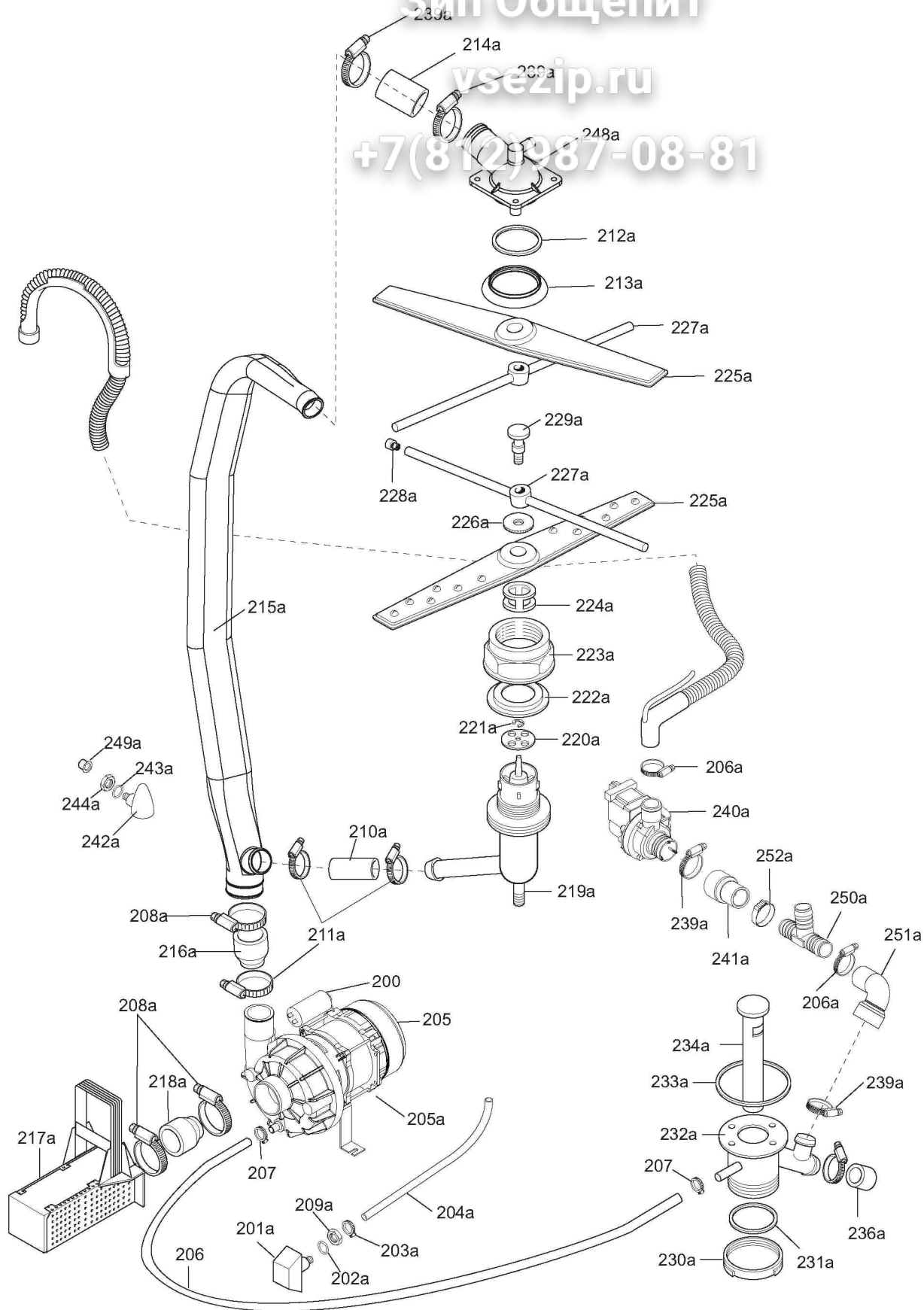


ill. 622001p1

Vista generale / Main view

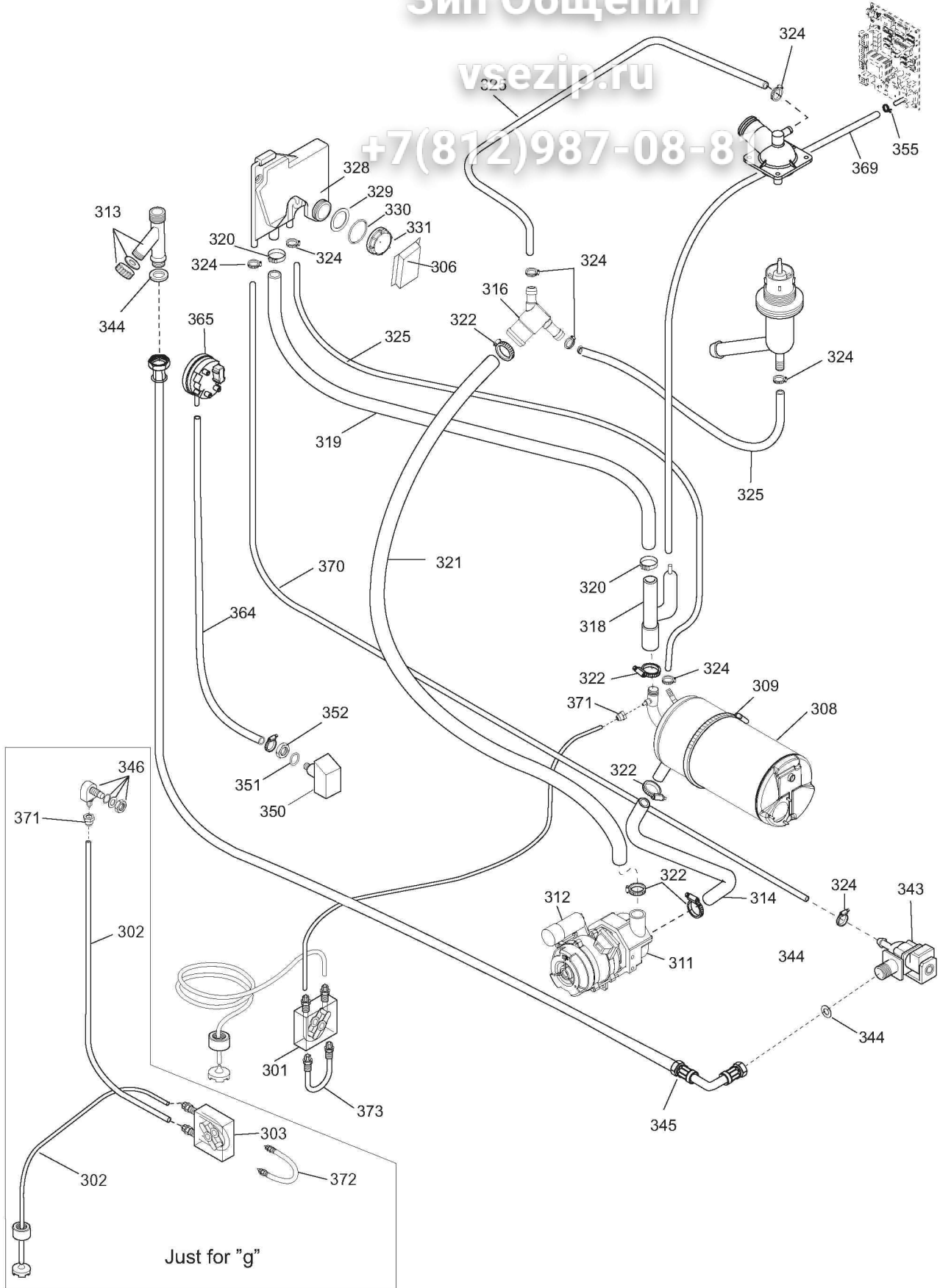


ill. 622001p2  
Componenti idraulici (non per "i,l,m") / Hydraulic components (not for "i,l,m")



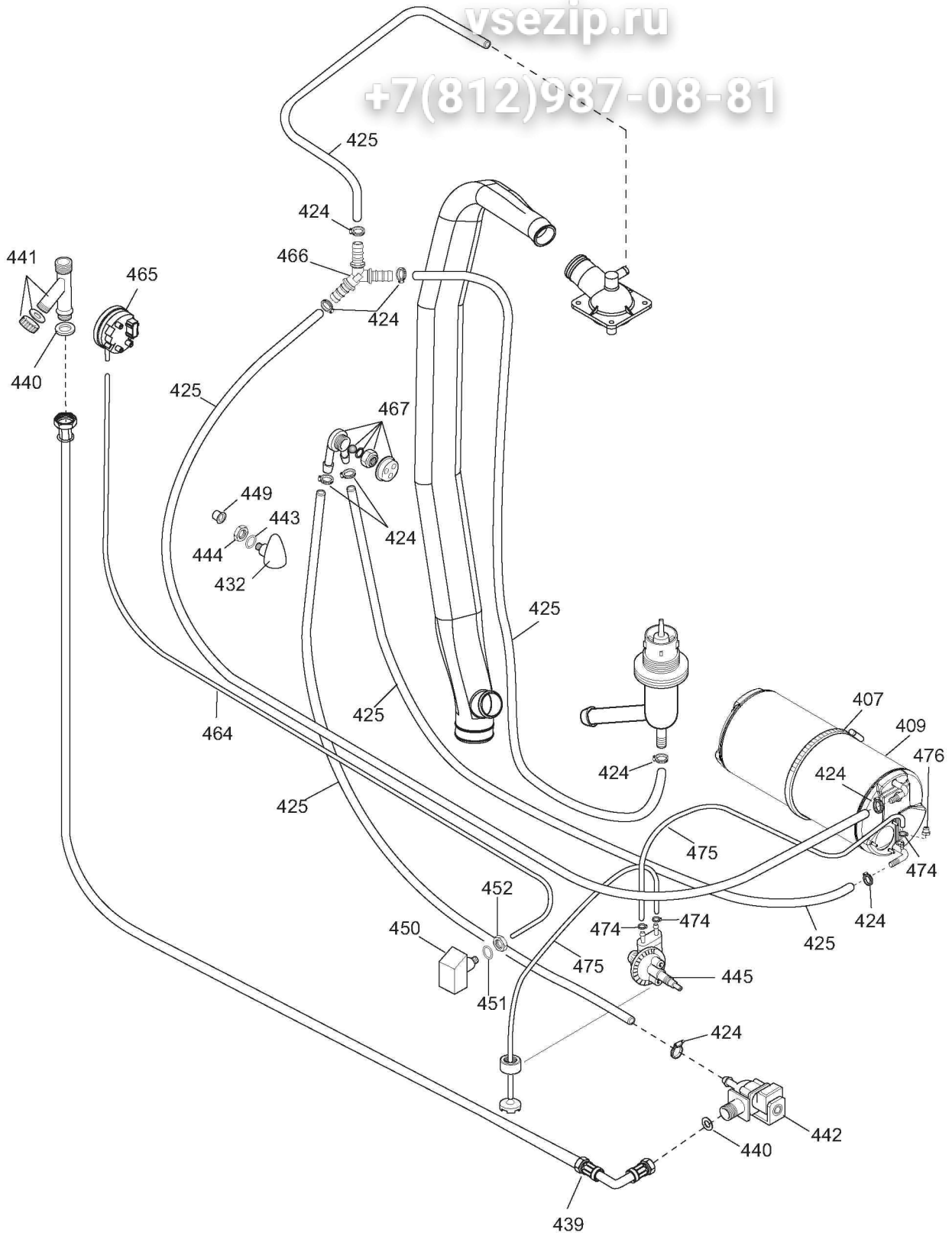
ill. 622001p2WS

Componenti idraulici (solo per "i,l,m") / Hydraulic components (only for "i,l,m")



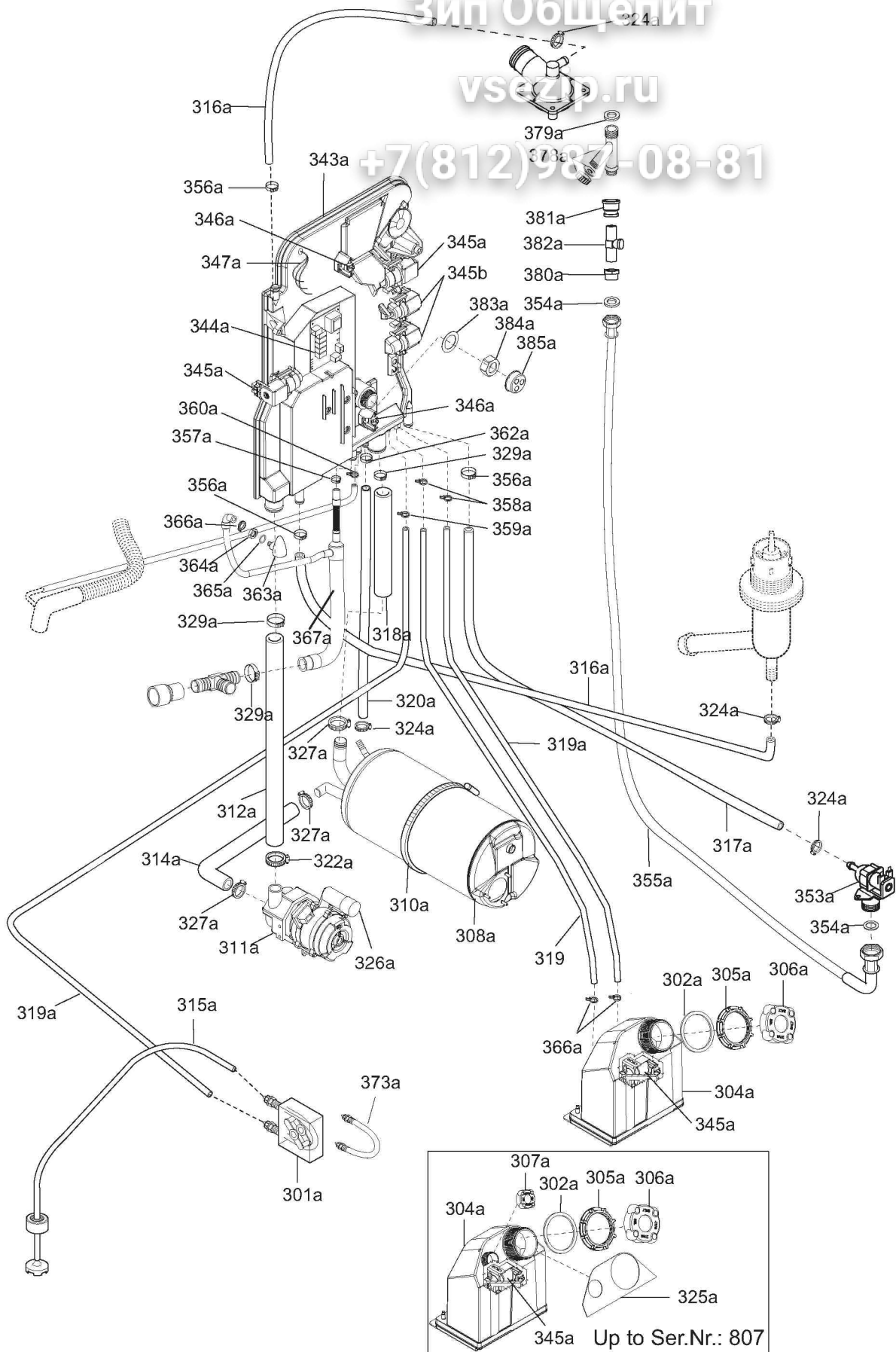
ill. 622001p3

Circuito idraulico atmosferico / Atmospheric plumbing circuit



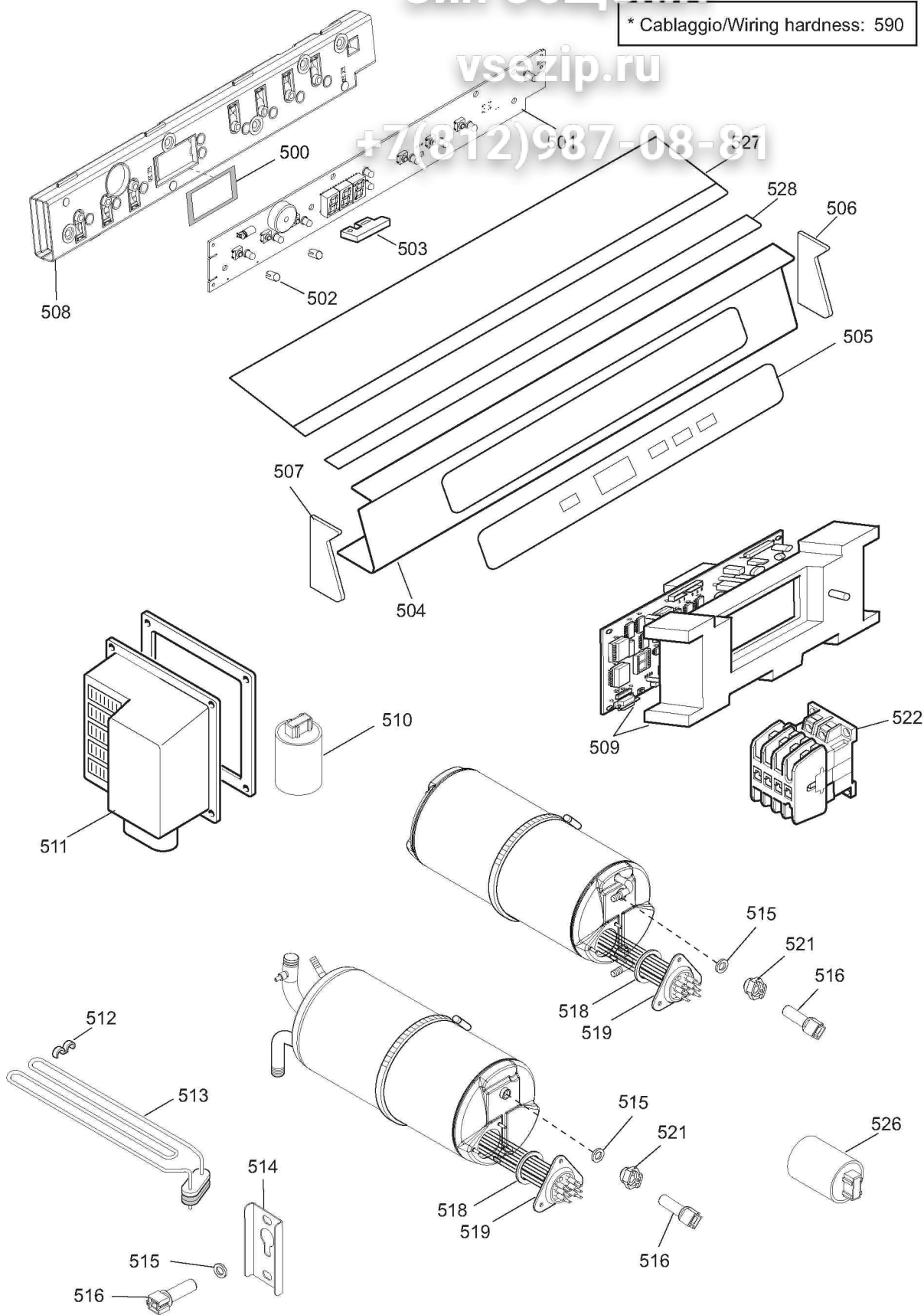
ill. 622001p4

Circuito idraulico a pressione / Pressurized plumbing circuit



ill. 622001p3WS

Circuito idraulico WS (solo per "i,l,m") / Hydraulic circuit WS (only for "i,l,m")



ill. 622001Ap5  
Componenti elettrici / Electrical components