

vsezip.ru
LAVASTOVIGLIE UNDERCOUNTER da 540 piatti/h
UNDERCOUNTER DISHWASHER up to 540 dishes/h

LS 3

| Code | Type | Ref. |
|---------|-------------|------|
| 400 000 | LS 32 | a |
| 400 001 | LS 32 / 4,5 | b |
| 400 003 | LS 32 F | c |
| 400 004 | LV 32 F | d |
| 400 005 | C 55 | e |
| 400 006 | LS 32 / 60 | f |
| 400 020 | LS 33 | g |
| 400 021 | LS 33 / 4,5 | h |
| 400 023 | LS 33 F | i |
| 400 024 | LV 33 F | j |
| 400 025 | C 55 A | k |
| 400 026 | LS 33 / 60 | l |
| 690 000 | FL 32 | m |
| 690 001 | FL 32 / 4,5 | n |
| 690 002 | FL 33 | o |
| 690 003 | FL 33 / 4,5 | p |
| 727 000 | C 32 | q |
| 727 001 | C 32 / 4,5 | r |
| 727 002 | C 33 | s |
| 727 003 | C 33 / 4,5 | t |
| 777 010 | Z 32 | u |
| 777 011 | Z 32 / 4,5 | v |
| 777 012 | Z 33 | w |
| 777 013 | Z 33 / 4,5 | x |

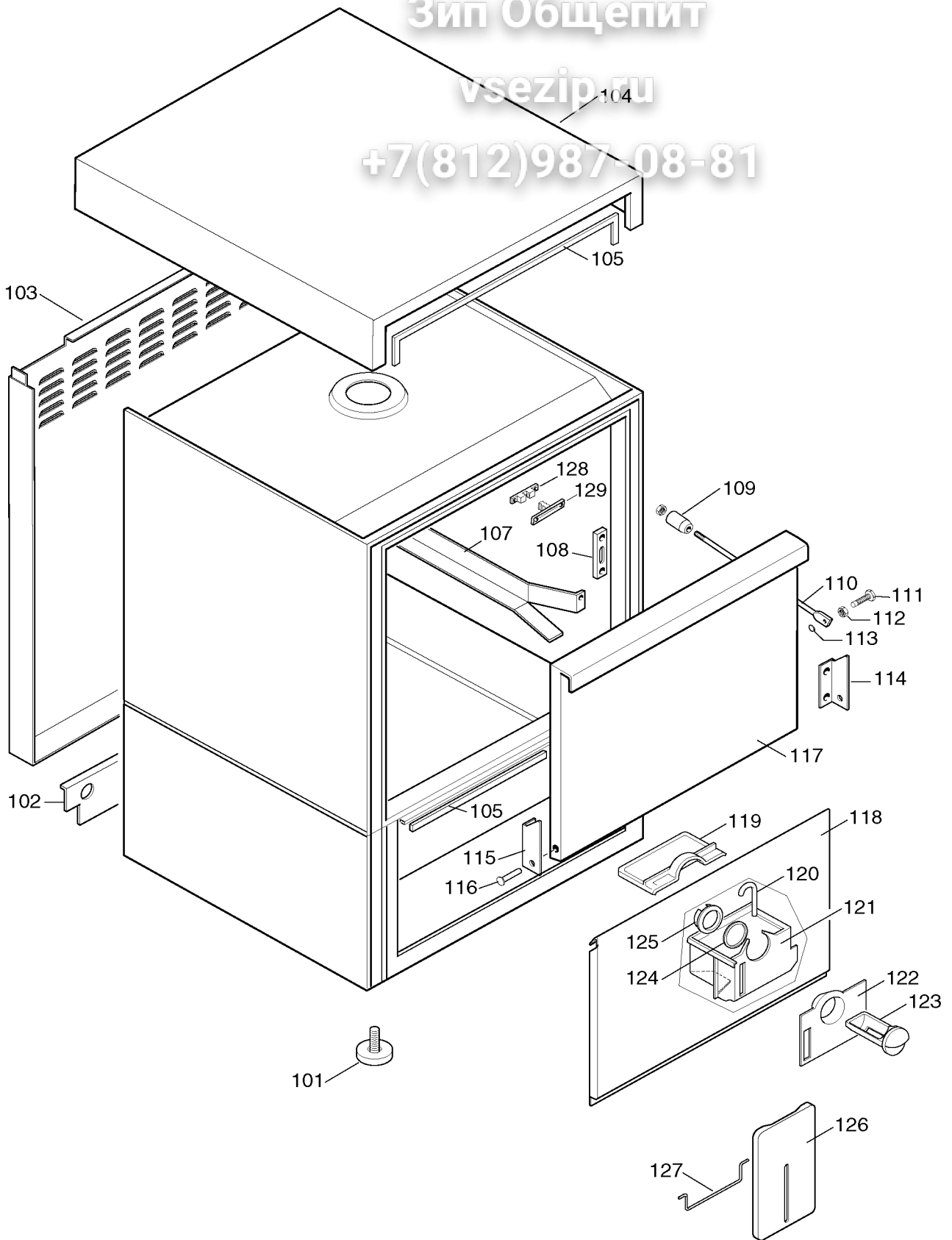
| Pag. | Indice |
|------|----------------------------------|
| 2 | Vista generale |
| 3 | Componenti idraulici |
| 4 | Componenti lavaggio e risciacquo |
| 5 | Componenti elettrici |
| 6-8 | Lista ricambi |

| Index |
|---------------------------|
| Main view |
| Hydraulic components |
| Wash and rinse components |
| Electrical components |
| Spare parts list |

Зип Общепит

vsezip.ru

+7(812)987-08-81



OS/Doc - LS3_pres\612001.pm6

ill. 612001p1

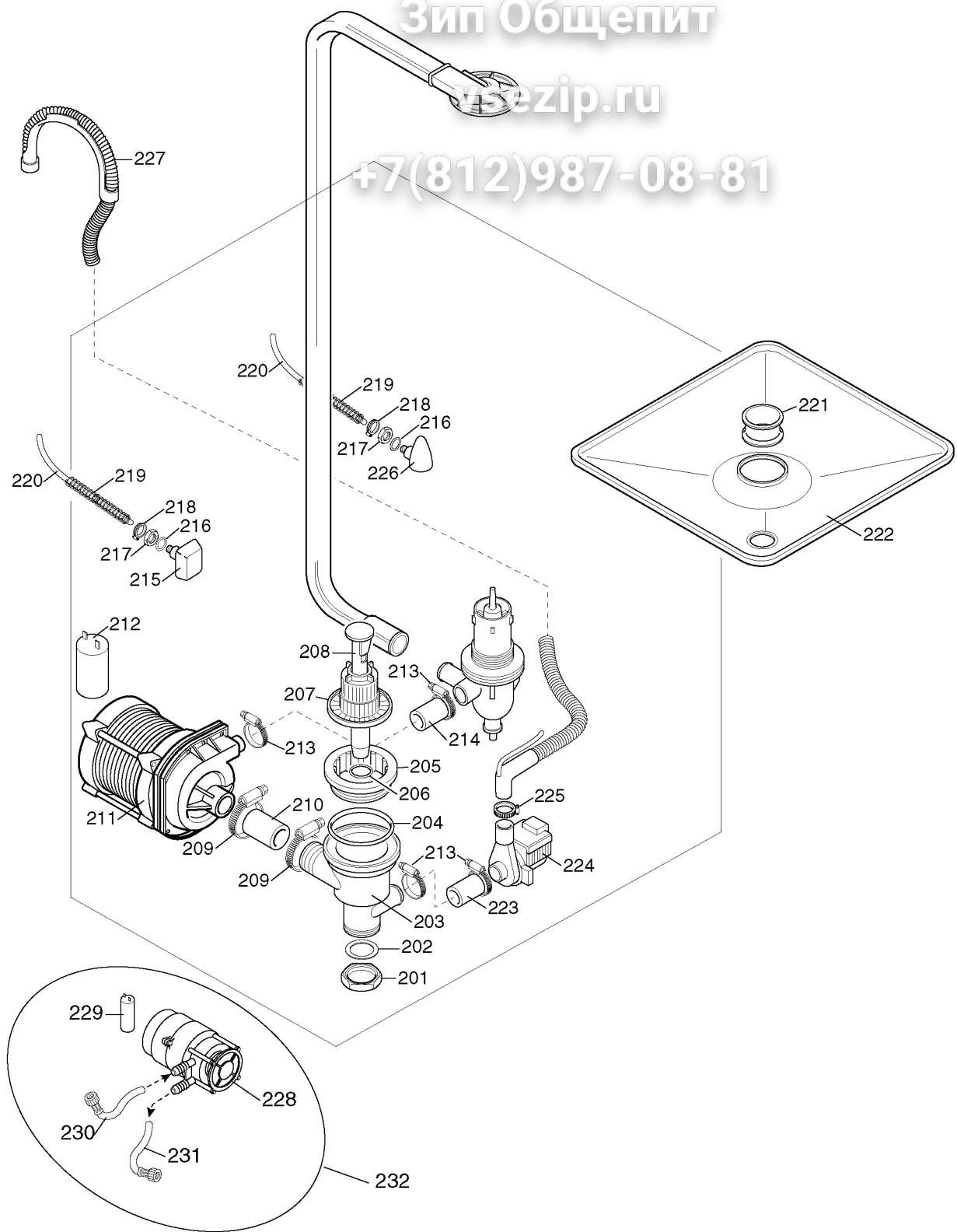
Da Ser. Nr. / From ser. nr.: 705 /

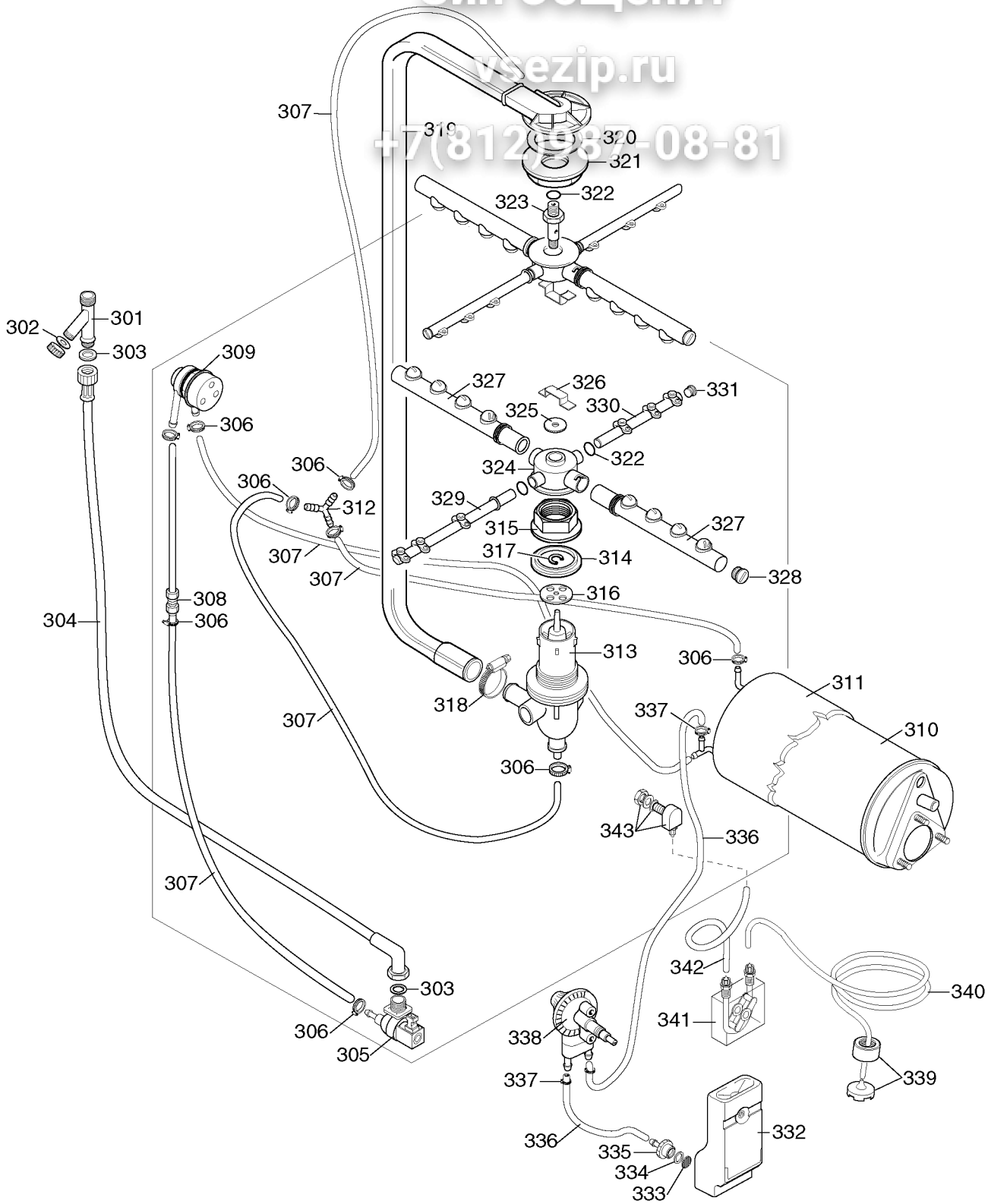
Page: 2

Ed.01-02

Doc. Nr.:

6-12 001





ill. 612001p3

