

3 zip 06111111 Spare Parts List

vsezip.ru

DISKMASKIN

DISHWASHER 87-08-81

GESCHIRRRSPÜLMASCHINE

| Produktnummer Product number Produktnummer | Spänning Voltage Spannung | Effekt Loading Leistung | Vattentemp. °C Water temp. °C Wassertemp. °C | Torkmedelsdosering Drying agent injector Trockenmittelinjektor | Anm. Notes Anm. |
|--|---------------------------------|-------------------------------|--|--|-----------------------|
| Isolerad modell - Non insulated model - Nicht isolierte Modelle | | | | | |
| 975 88 01-02 | 380V 3N 50 | 9,0 kW | 55-65 | x | |
| 975 88 02-01 | 220V 3 50 | 13,5 kW | 55-65 | | |
| 975 88 08-01 | 380V 3 50 | 9,0 kW | 55-65 | x | |
| 975 88 09-01 | 440V 3 60 | 9,0 kW | 55-65 | x | |
| 97 60 03 03-01 | 380V 3N 50 | 13,5 kW | 5-20 | x | |
| 97 60 03 05-01 | 415V 3N 50 | 13,5 kW | 5-20 | x | |
| 97 60 03 06-01 | 380V 3N 50 | 13,5 kW | 5-20 | x | |
| 97 60 03 09-01 | 200V 3 50 | 9,9 kW | 55-65 | | |
| 97 60 03 10-01 | 200V 3 60 | 9,9 kW | 55-65 | | |
| 97 60 03 24-01 | 380V 3N 50 | 13,5 kW | 5-20 | x | |
| 97 60 03 25-02 | 380V 3N 50 | 13,5 kW | 5-20 | x | |
| 97 60 03 30-01 | 200V 3 50 | 9,9 kW | 55-65 | | |
| 97 60 03 31-01 | 200V 3 60 | 9,9 kW | 55-65 | | |
| 97 60 03 35-01 | 400V 3N 50 | 13,5 kW | 55-65 | | |
| 97 60 03 36-01 | 220V 3 50 | 13,5 kW | 55-65 | | |
| 97 60 03 40-01 | 380V 3N 50 | 9,0 kW | 55-65 | x | |
| 97 60 03 41-01 | 380V 3N 50 | 13,5 kW | 5-20 | x | |
| Isolerad modell - Insulated model - Isolierte Modelle | | | | | |
| 975 88 21-02 | 380V 3N 50 | 9,0 kW | 55-65 | x | 1) |
| 975 88 22-01 | 220V 3 50 | 13,5 kW | 55-65 | | 1) |
| 975 88 23-01 | 380V 3N 50 | 13,5 kW | 5-20 | x | 1) |
| 97 60 04 05-01 | 380V 3N 50 | 13,5 kW | 5-20 | x | 1) |
| 97 60 04 19-01 | 380V 3N 50 | 9,0 kW | 55-65 | x | 1) |
| 97 60 04 22-02 | 380V 3N 50 | 13,5 kW | 5-20 | x | 1) |
| 97 60 04 31-02 | 380V 3N 50 | 9,0 kW | 55-65 | x | 1) |
| 97 60 04 32-01 | 380V 3N 50 | 9,0 kW | 55-65 | x | 1) |
| 97 60 04 35-01 | 400V 3N 50 | 13,5 kW | 55-65 | | 1) |
| 97 60 04 36-01 | 220V 3 50 | 13,5 kW | 55-65 | | 1) |
| 97 60 04 37-01 | 380V 3N 50 | 13,5 kW | 5-20 | x | 1) |
| 97 60 04 38-01 | 380V 3N 50 | 9,0 kW | 55-65 | x | 1) |
| 97 60 04 39-01 | 380V 3N 50 | 6,1 kW | 55-65 | x | 1) |
| 97 60 05 01-01 | 380V 3N 50 | 9,0 kW | 55-65 | x | 1) |
| 97 60 05 01-02 | 380V 3N 50 | 9,0 kW | 55-65 | x | 1) |
| 97 60 05 02-02 | 380V 3N 50 | 9,0 kW | 55-65 | x | |

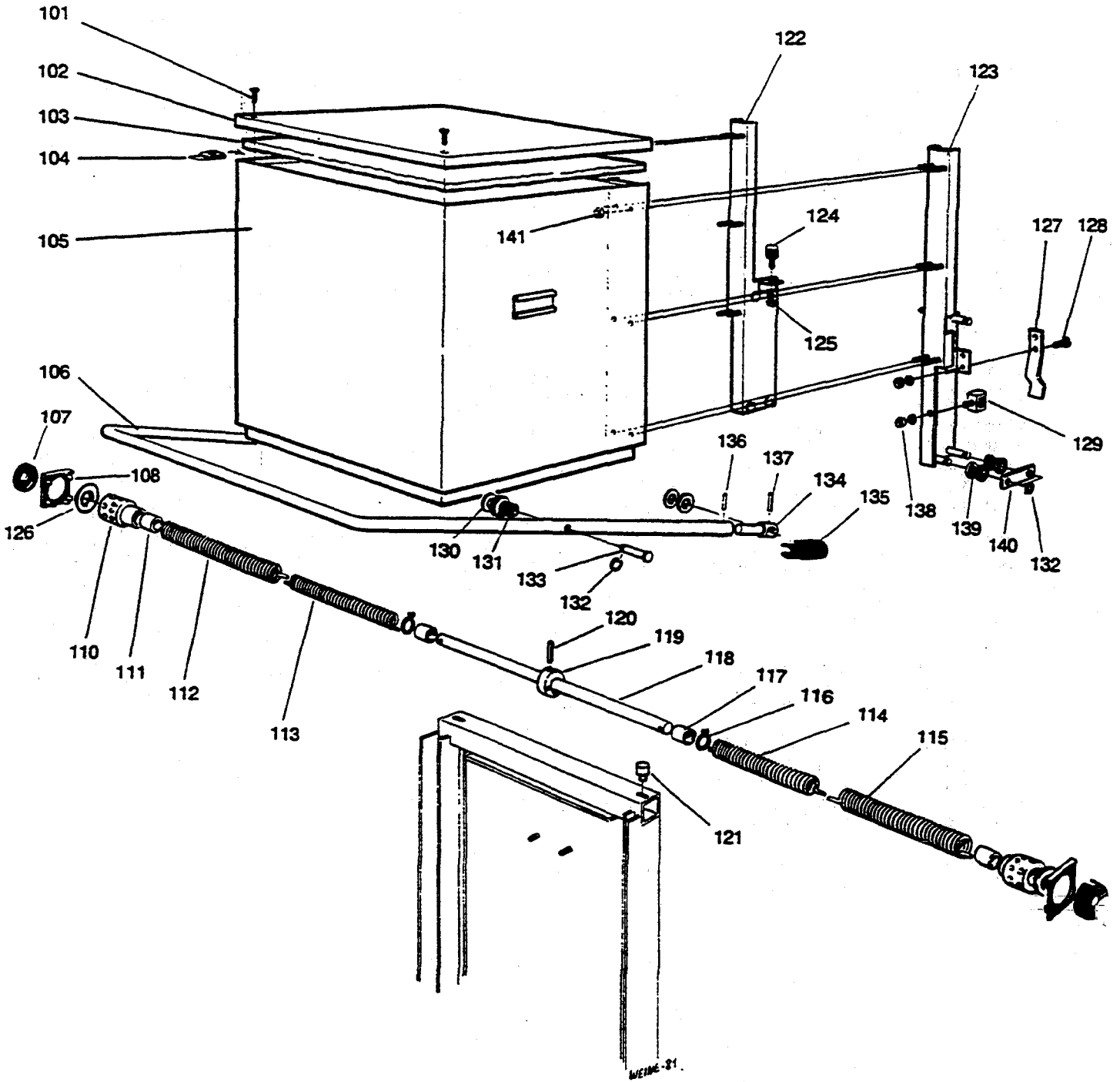
1) Utvändigt fjädersystem - Outside spring system - Auswendig Federsystem

| Sida Page Seite | Innehåll | Contents | Inhalt |
|-----------------------|-----------------------------------|---------------------------------|----------------------------------|
| 3 | Huv | Hood | Haube |
| 5-9 | Spölsystem | Rinsing system | Spülsystem |
| 11 | Stativ och plåtar | Base and panels | Gestell und Blech |
| 13 | Pump och avlopp | Pump and drain | Pumpe und Ablauf |
| 15-17 | El. detaljer | El. details | El. Komponenten |
| 19-21 | Genomströmare | Booster heater | Durchlauferhitzer |
| 23 | Pump | Pump | Pumpe |
| 25-29 | Utvändigt fjädersystem | Outside spring system | Auswendig Federsystem |
| 30-61 | Unika detaljer/ produkt nummer | Unique parts/ product number | Einzige Teile/ Produkt nummer |

Зип Ощепит

vsezip.ru

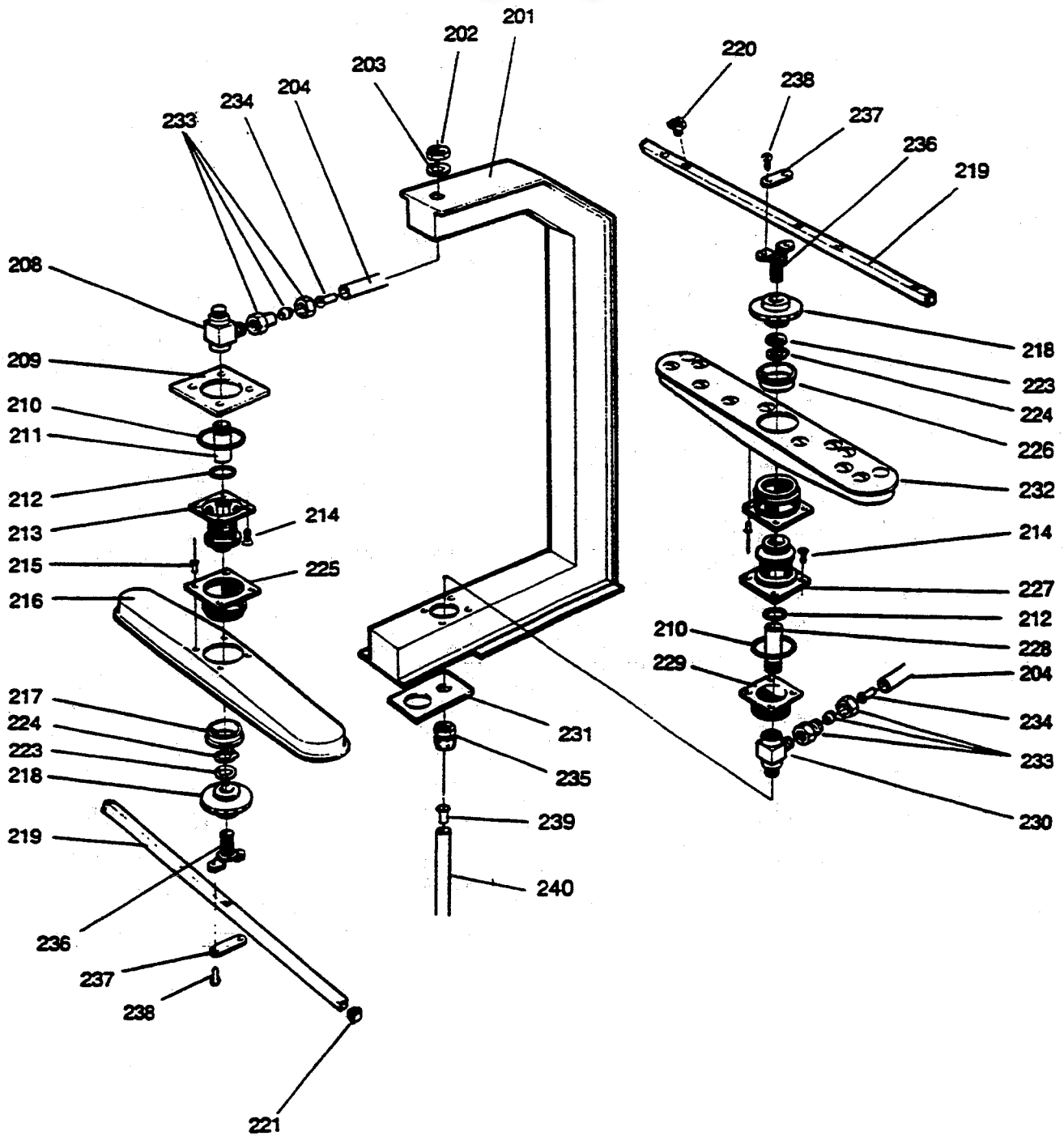
+7(812)987-08-81



Зип Общепит

vsezip.ru

+7(812)987-08-81



Prod. no.
97 60 04 39-01

Зип Общепит

vsezip.ru

+7(812)987-08-81

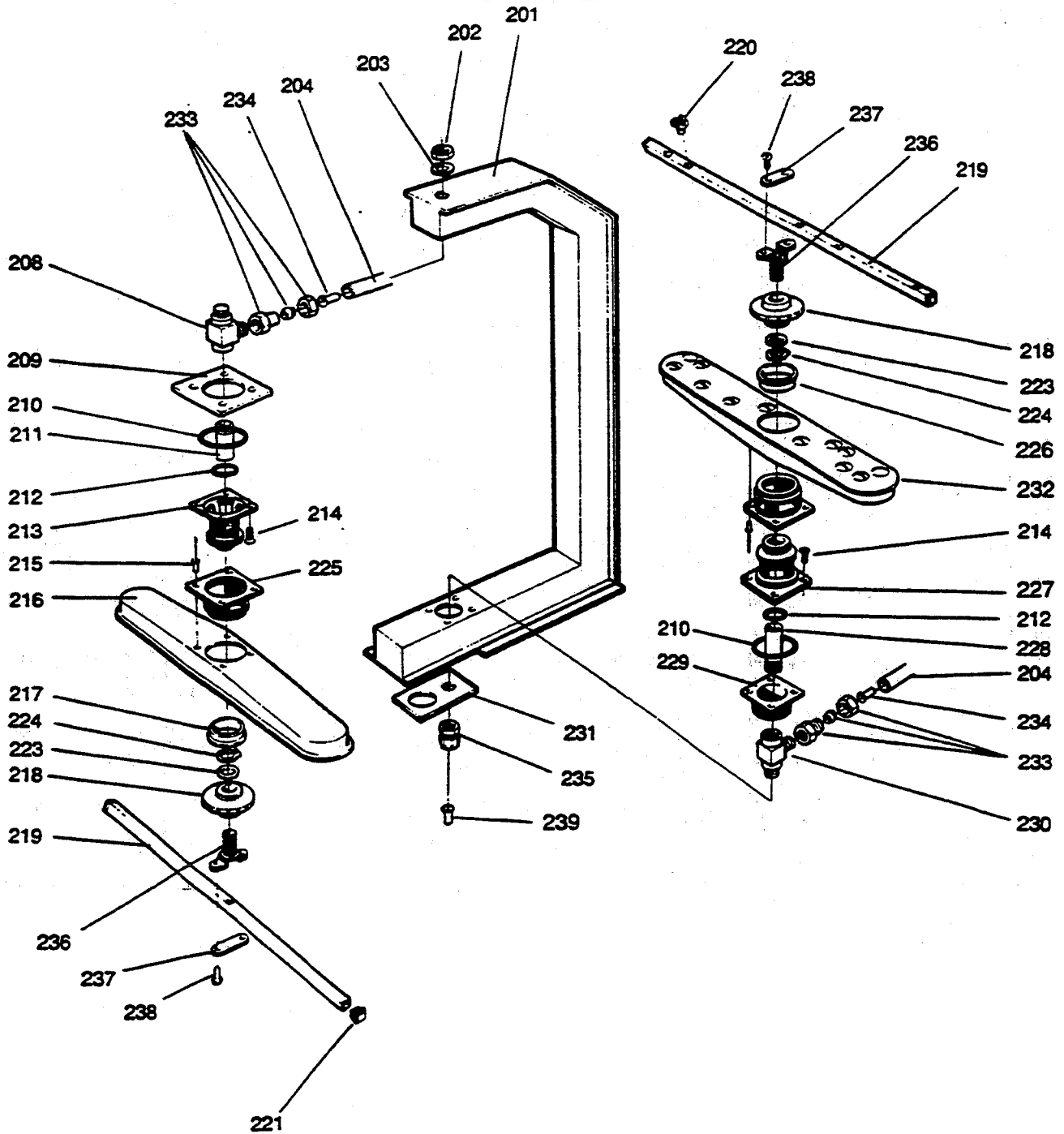


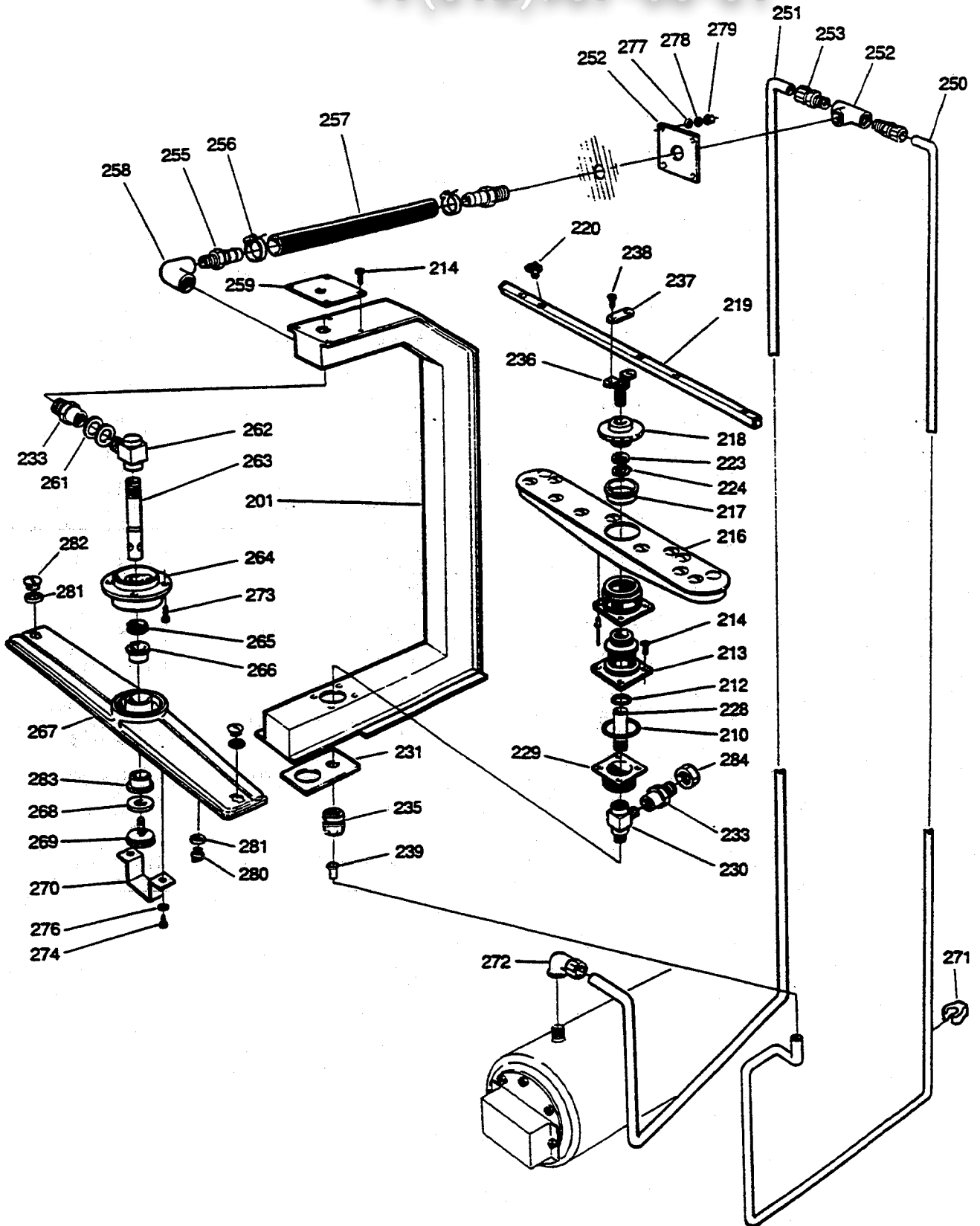
ILLUSTRATION 208 55

Prod. no.
97 60 03 25-02
97 60 04 22-02

Зип Общепит

vsezip.ru

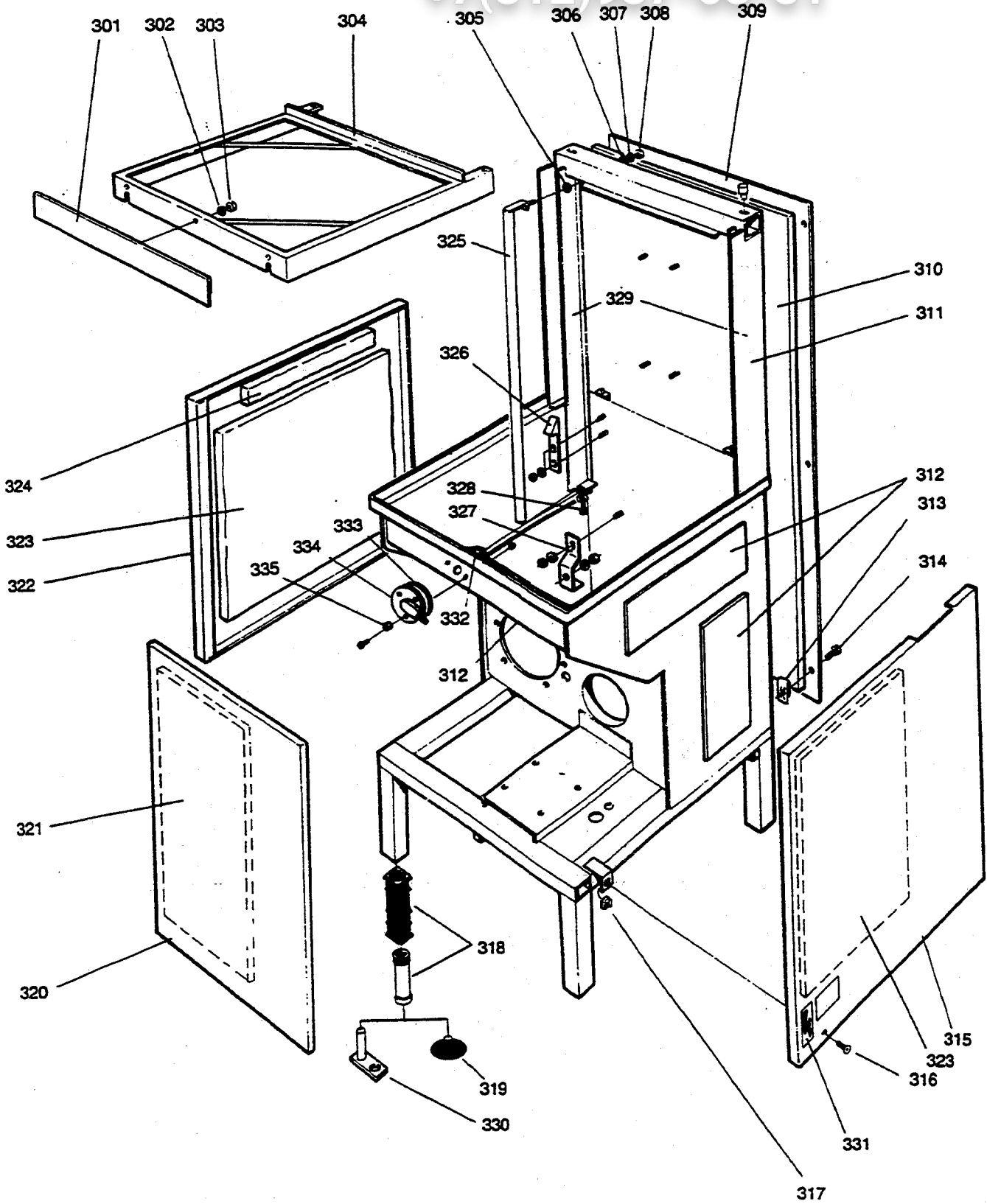
+7(812)987-08-81



Зип Общепит

vsezip.ru

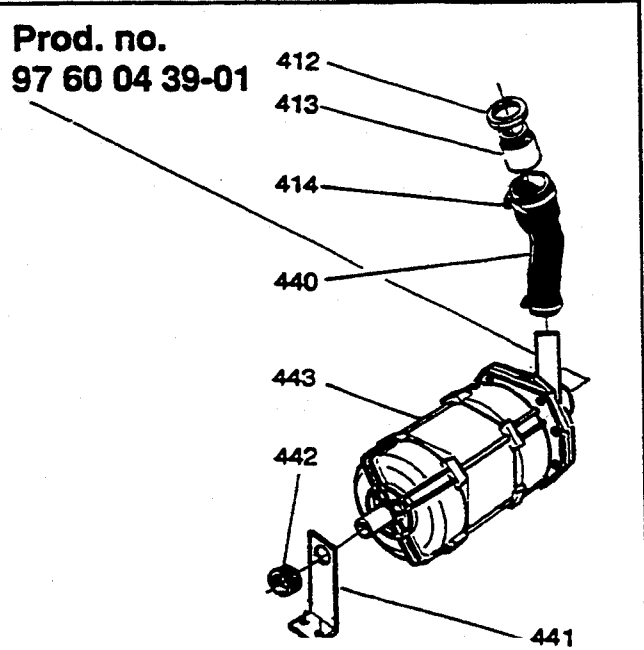
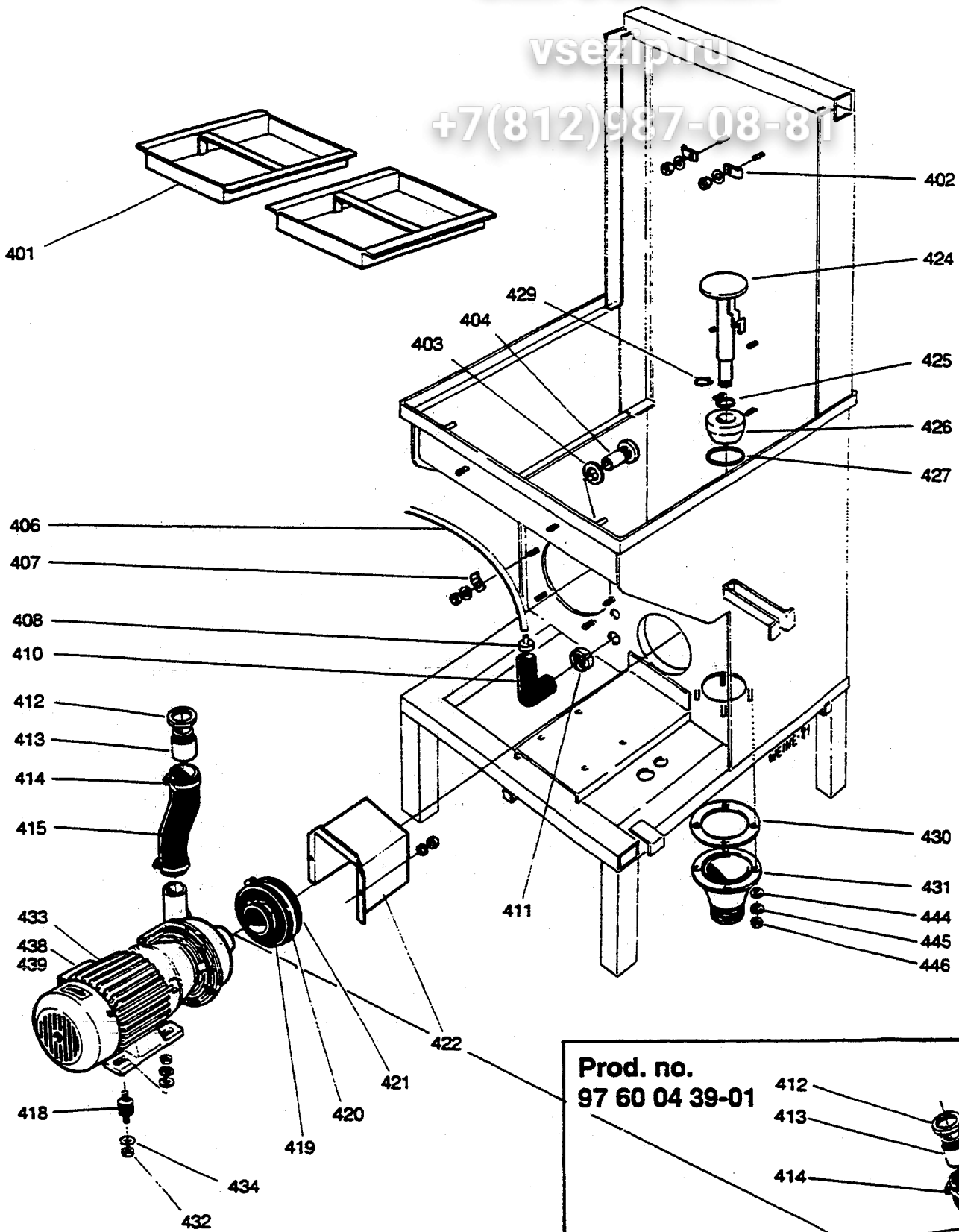
+7(812)987-08-81



Зип Общепит

vseip.ru

+7(812)987-08-81

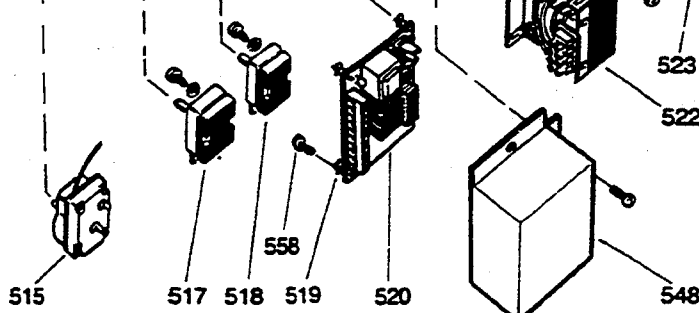
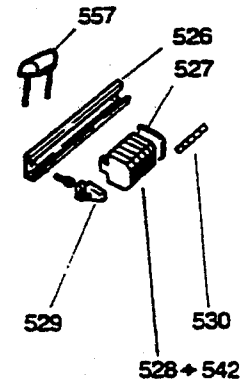
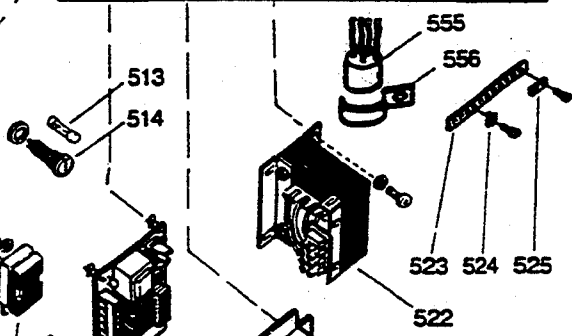
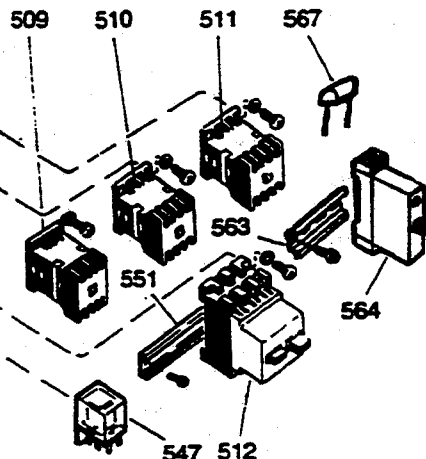
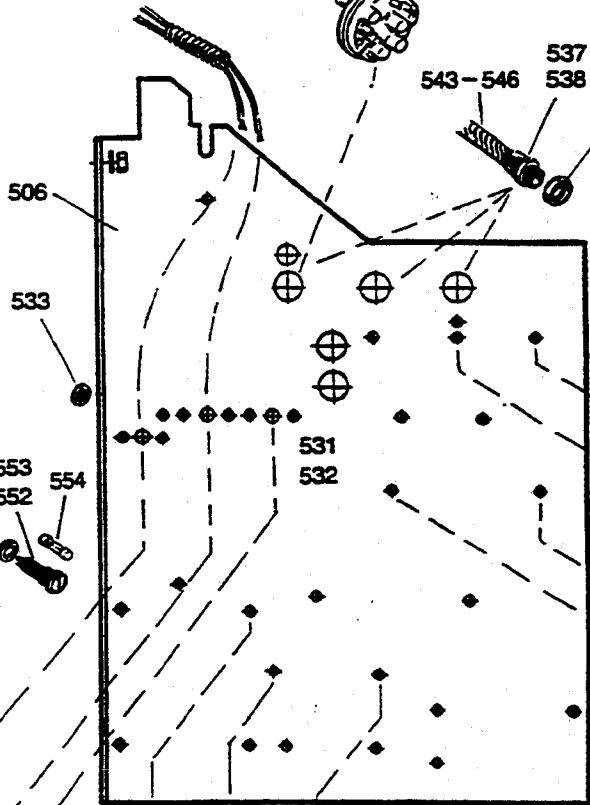
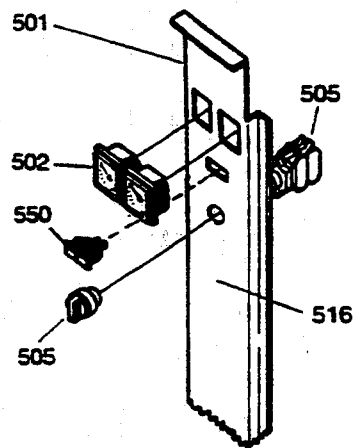
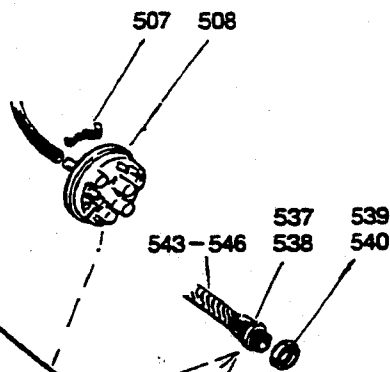
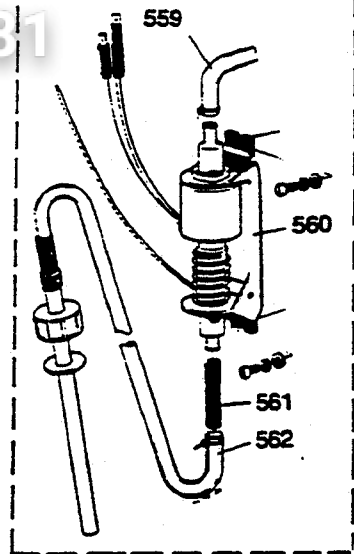
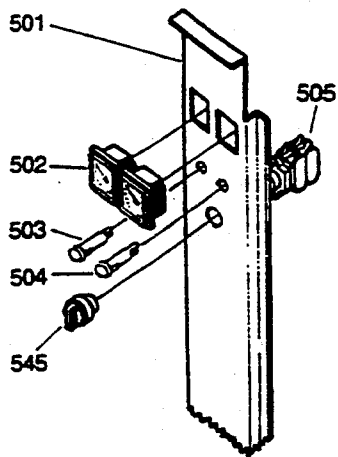


Зип Ощепит

vsezip.ru

+7(812)987-08-81

Prod. no. 97 60 04 31-02
Diskmedelsdoserare
Detergent injector

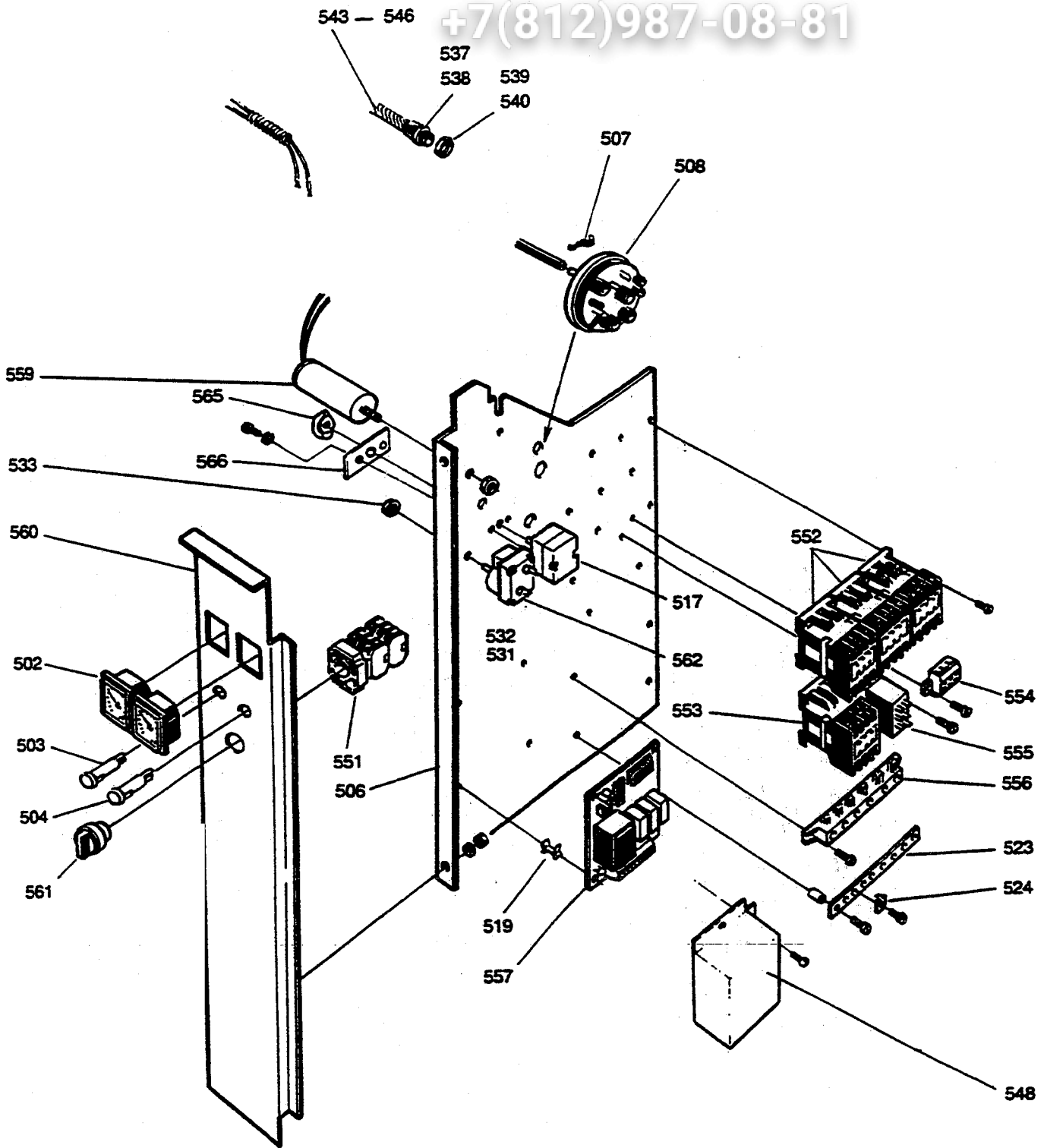


Prod. no.
97 60 04 39-01

Зип Общепит

vsezip.ru

+7(812)987-08-81



Зип Ощепит

vsezip.ru

+7(812)987-08-81

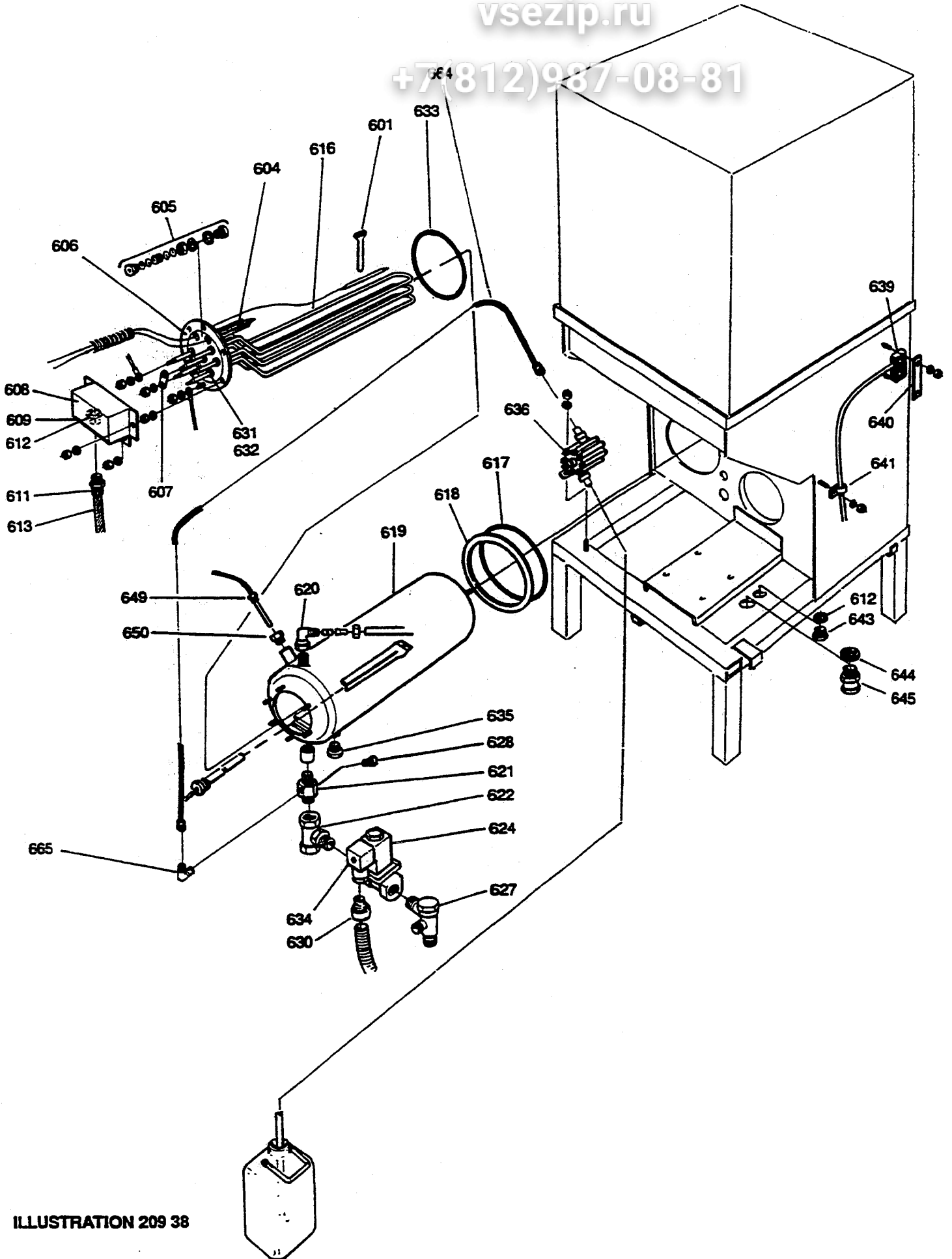


ILLUSTRATION 209 38

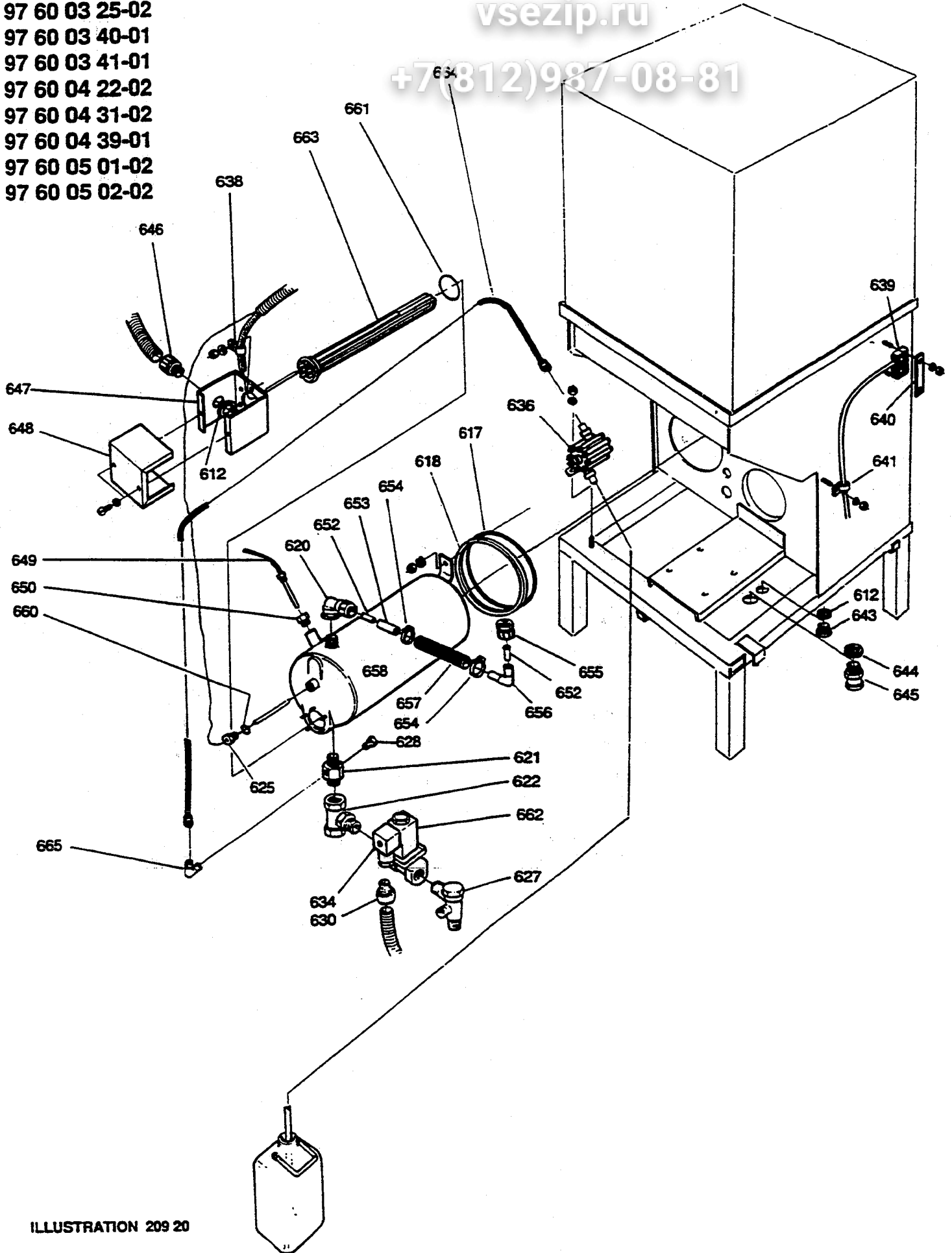
Prod. no.

- 975 88 01-02
- 975 88 21-02
- 97 60 03 25-02
- 97 60 03 40-01
- 97 60 03 41-01
- 97 60 04 22-02
- 97 60 04 31-02
- 97 60 04 39-01
- 97 60 05 01-02
- 97 60 05 02-02

Зип Ощепит

vsezip.ru

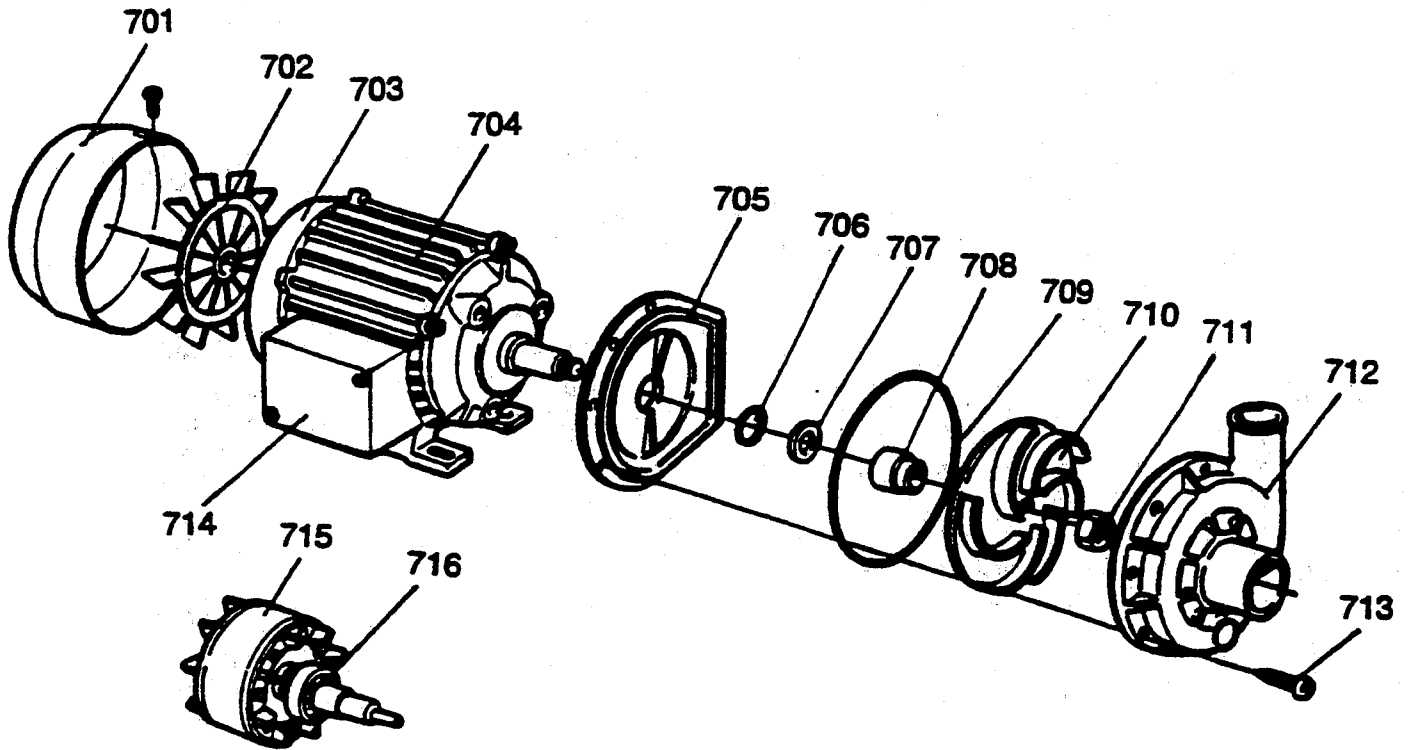
+7(812)987-08-81



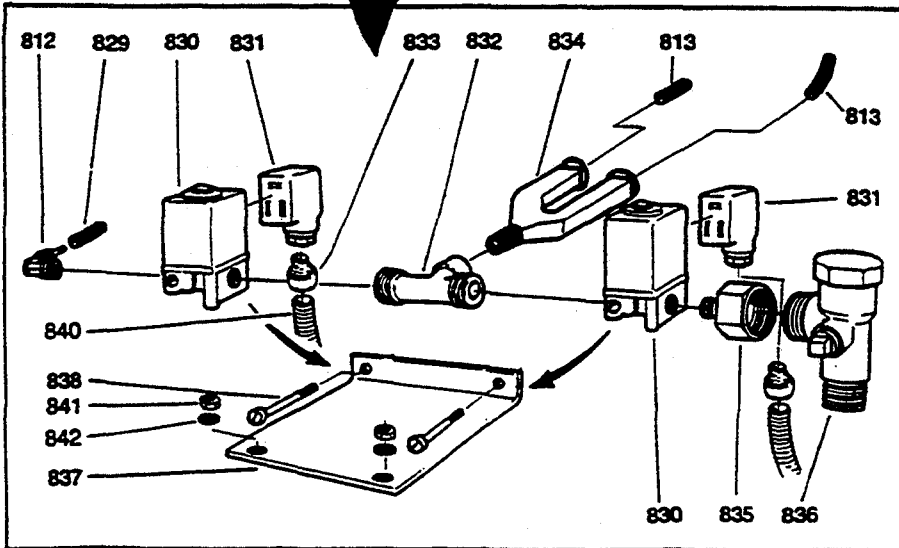
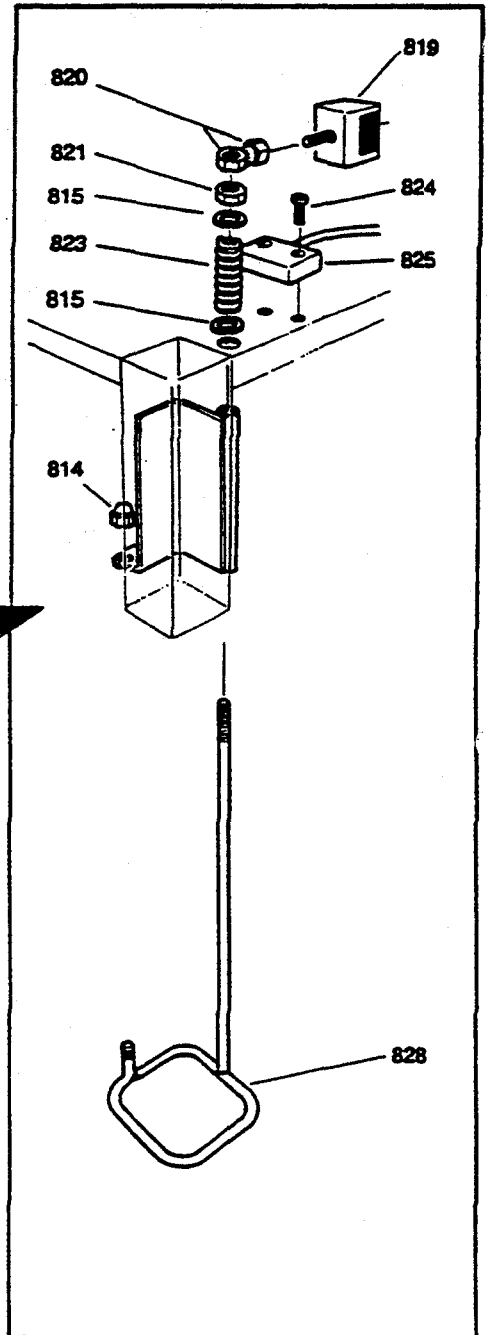
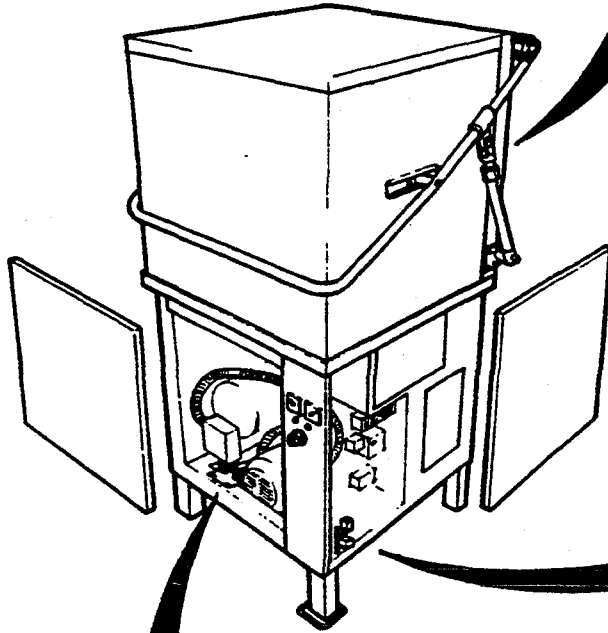
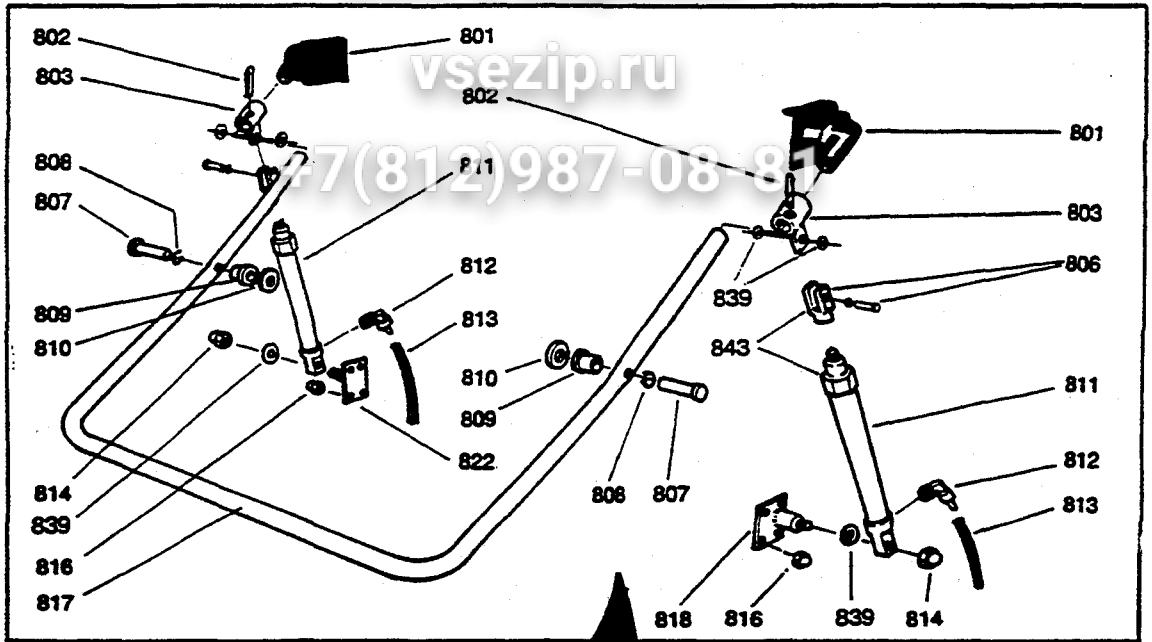
Зип Общепит

vsezip.ru

+7(812)987-08-81



Prod. no.
97 60 05 02-02

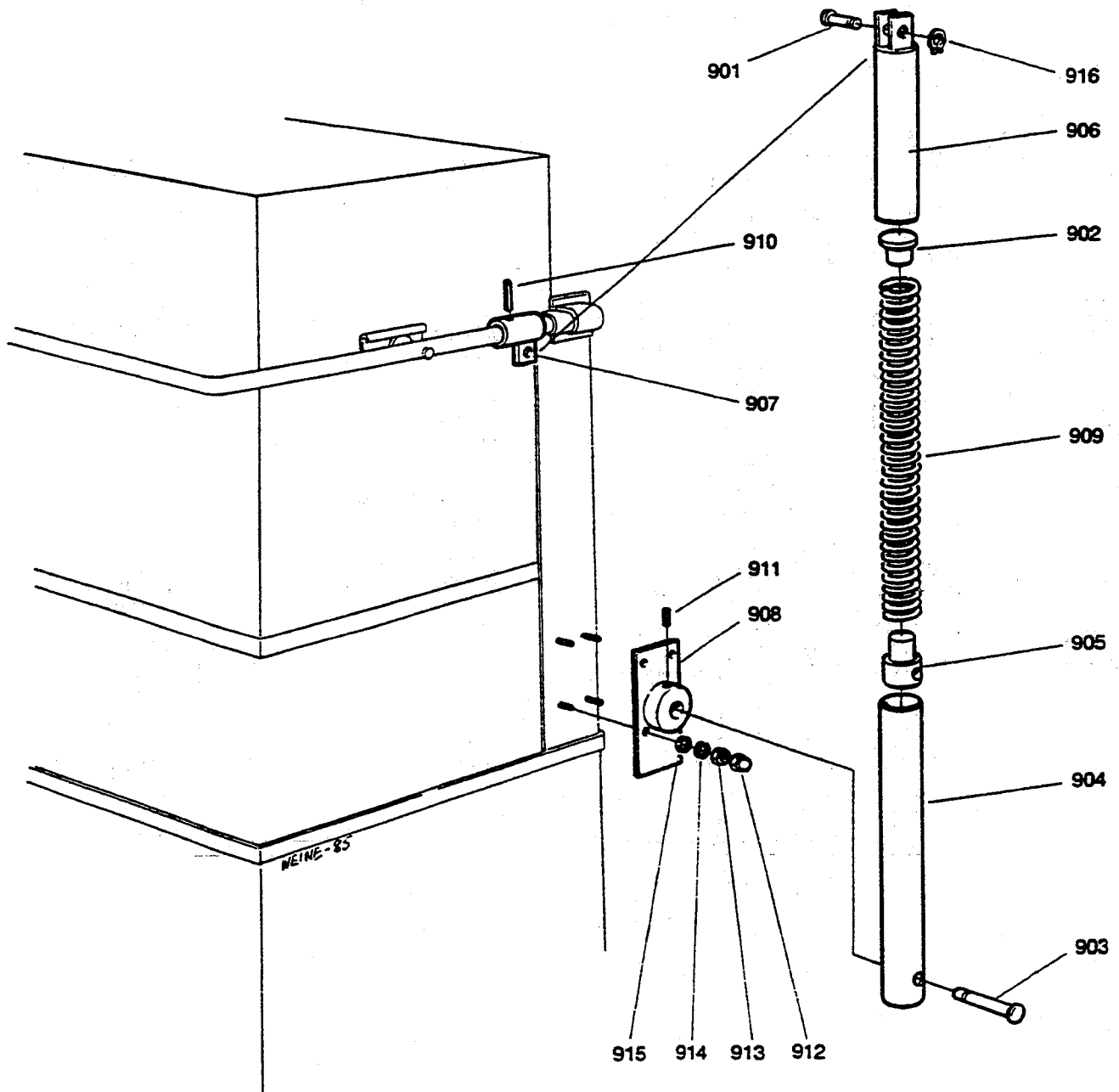


Prod. no.
975 88 21
975 88 22
975 88 23
97 60 04 xx
97 60 05 01

Зип Общепит

vsezip.ru

+7(812)987-08-81



Prod. no.
97 60 05 02

Зип Общепит

vsezip.ru

+7(812)987-08-81

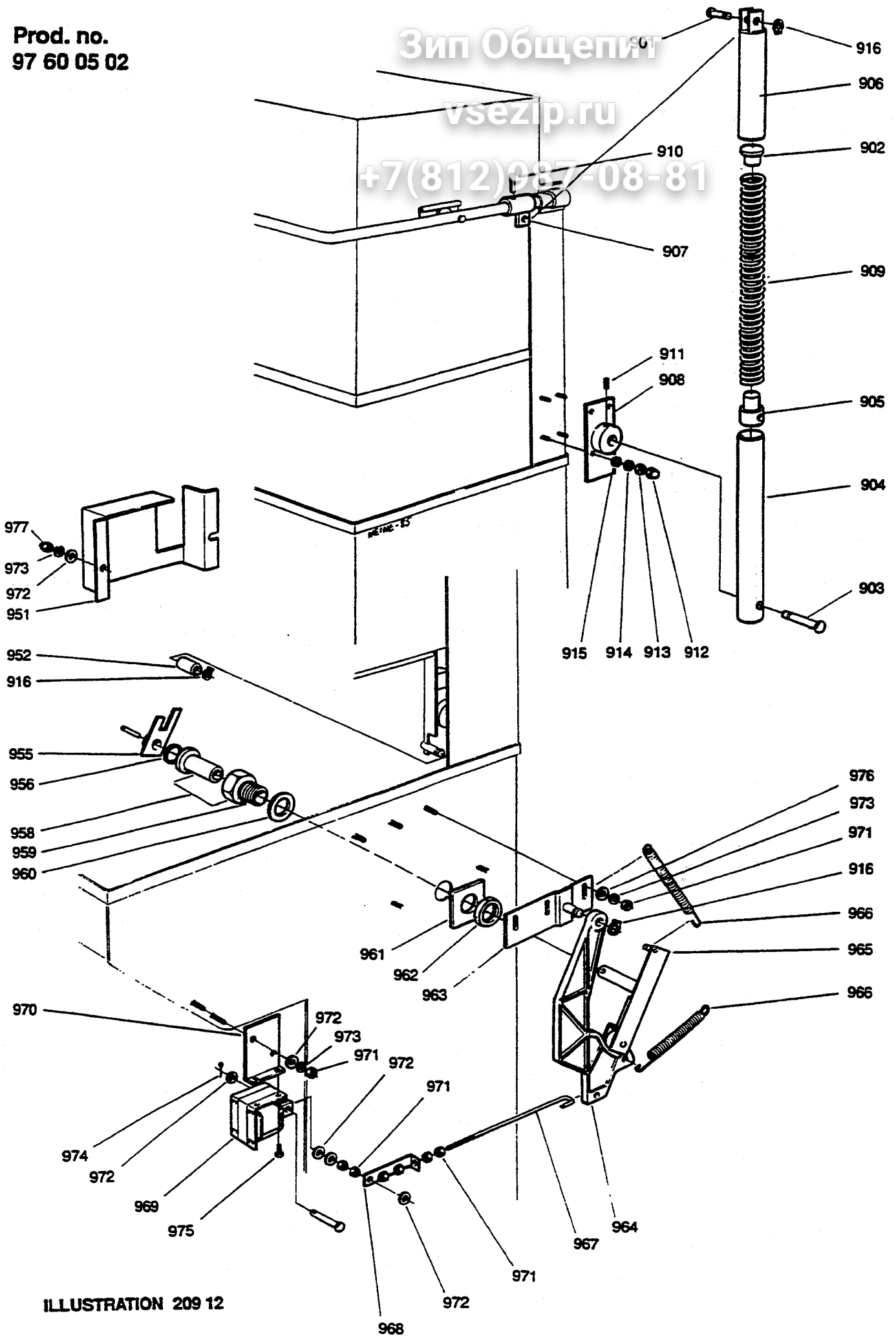


ILLUSTRATION 209 12