

## CME256 or CME506 or CME656 or CME806 Service Parts

This parts list contains service part information for 8 basic models, plus 4 different electrical configurations. **The complete model number will be needed to identify the correct part.**

Model Series Changes (code at end of model number)

- C series - changes to the front & side panels
- D series - changes to the top panel and to the compressor starting components
- E series - new side panels and 2 TXVs with check valves for the CME506
- F series - new water cooled condensers
- H series - color change

Electrical Codes are located at the end of the model number (voltage/hertz/phase):

- -1 is 115/60/1
- -32 is 208-230/60/1
- -3 is 208-230/60/3
- -6 is 250/50/1

Electrical Components Common to All Machines:

- Inlet water valve
- Water sensor
- Discharge line sensor
- Controller
- Ice sensor/bin controls
- Water level sensor

Unique Electrical Components

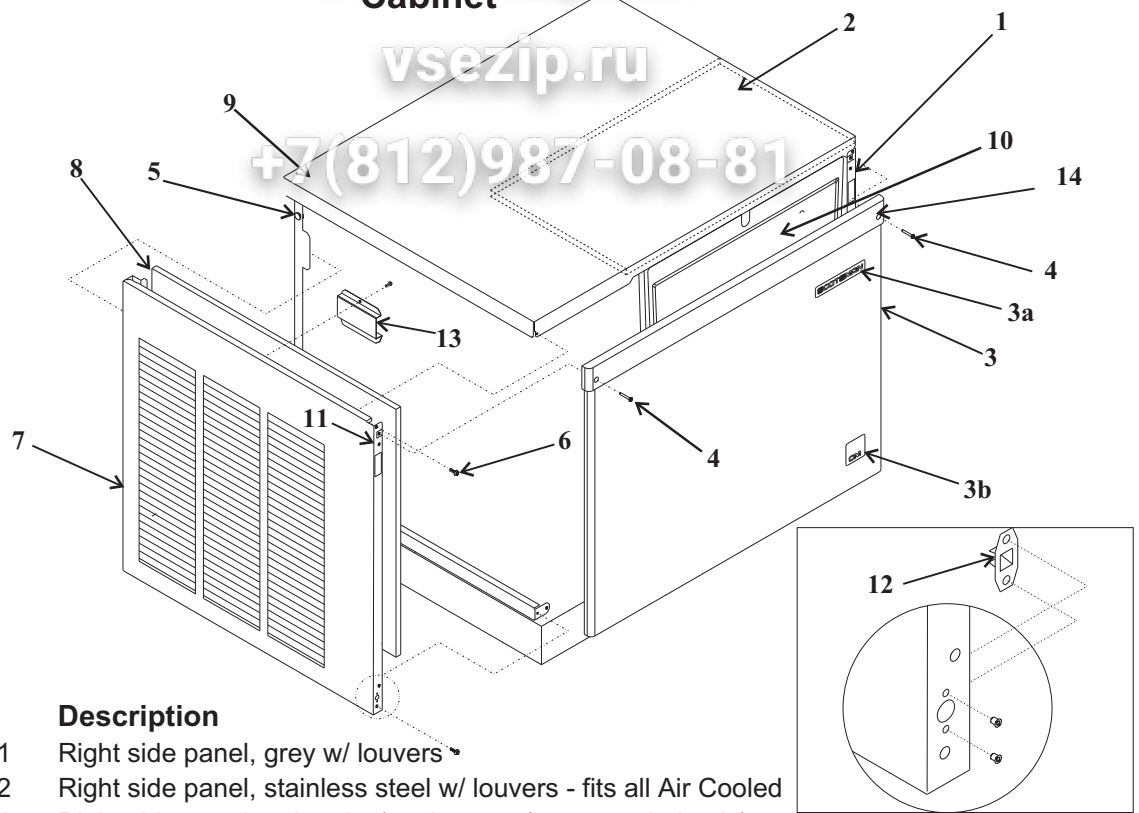
- Compressor and related starting components
- Contactor (single / three phase)
- Fan motor
- Water pump
- Transformer
- Hot gas valve

Other Unique parts include: side panels, electrical, refrigeration and some water system items.

### TABLE OF CONTENTS

<p>Cabinet . . . . . PAGE 2</p> <p>Interior Structure &amp; Controls . . . . . PAGE 3</p> <p>CME256 Air Cooled Refrigeration . . . . . PAGE 4</p> <p>CME506 A - D Series Air Cooled Refrigeration PAGE 5</p> <p>CME506 E - H Series Air Cooled Refrigeration PAGE 6</p> <p>CME656 Air Cooled Refrigeration . . . . . PAGE 7</p> <p>CME806 Air Cooled Refrigeration . . . . . PAGE 8</p> <p>Water System Components . . . . . PAGE 9</p> <p>CME256 Water Cooled Refrigeration . . . . . PAGE 10</p> <p>CME506 A - D Series Water Cooled Refrigeration . . . . . PAGE 11</p> <p>CME506 E - H Series Water Cooled Refrigeration . . . . . PAGE 12</p> <p>CME656 Water Cooled Refrigeration . . . . . PAGE 13</p> <p>CME806 Water Cooled Refrigeration . . . . . PAGE 14</p> <p>Compressors and Electrical Components for CME256 and CME506 . . . . . PAGE 15</p> <p>Compressors and Electrical Components for CME656 and CME806 . . . . . PAGE 16</p> <p>HTB555 Ice Storage Bin . . . . . PAGE 17</p> <p>D thru H Series Single Phase 60 Hz Schematic Diagram . . . . . PAGE 18</p> <p>D thru H Series, 115 volt CME256 and CME506 Wiring Diagram . . . . . PAGE 19</p> <p>D thru H Series CME656 or CME806 Single Phase Wiring Diagram . . . . . PAGE 20</p> <p>D thru H Series CME656 Three Phase Wiring Diagram . . . . . PAGE 21</p> <p>D thru H Series, 230 volt, 60 Hz. CME256 and CME506 Diagram . . . . . PAGE 22</p> <p>A - C Series Single Phase Air Cooled Schematic Diagram . . . . . PAGE 23</p>	<p>A - C Series CME256 and CME506 Air Cooled Wiring Diagram . . . . . PAGE 24</p> <p>A - C Series Water Cooled Single Phase Schematic Diagram . . . . . PAGE 25</p> <p>A - C Series CME256 and CME506 Water Cooled Wiring Diagram . . . . . PAGE 26</p> <p>A - C Series CME656 or CME806 Air Cooled Single Phase Wiring Diagram . . . . . PAGE 27</p> <p>A - C Series CME656 Water Cooled Single Phase Wiring Diagram . . . . . PAGE 28</p> <p>A - H Series Three Phase Air Cooled Schematic Diagram . . . . . PAGE 29</p> <p>A - C Series CME656 Air Cooled Three Phase Wiring Diagram . . . . . PAGE 30</p> <p>A - H Series CME656 Three Phase Water Cooled Schematic Diagram . . . . . PAGE 31</p> <p>A - C Series CME656 Three Phase Water Cooled Wiring Diagram . . . . . PAGE 32</p> <p>D thru H Series CME506 50 Hz Air Cooled Diagram . . . . . PAGE 33</p> <p>D thru H Series CME506 50 Hz Water Cooled Diagram . . . . . PAGE 34</p> <p>D thru H Series CME656 or CME806 50 Hz Air Cooled Diagram . . . . . PAGE 35</p> <p>D thru H Series CME656 or CME806 50 Hz Water Cooled Diagram . . . . . PAGE 36</p> <p>B or C Series 50 Hz Water Cooled CME506 Diagram . . . . . PAGE 37</p> <p>B or C Series, 50 Hz Air Cooled CME656 and CME806 Diagram . . . . . PAGE 38</p> <p>B or C Series, 50 Hz Water Cooled CME656 and CME806 Diagram . . . . . PAGE 39</p> <p>B or C Series, 50 Hz Air Cooled CME506 Diagram . . . . . PAGE 40</p> <p>D thru H Series, 50 Hz CME256 Diagram . . . . . PAGE 41</p>
--	--

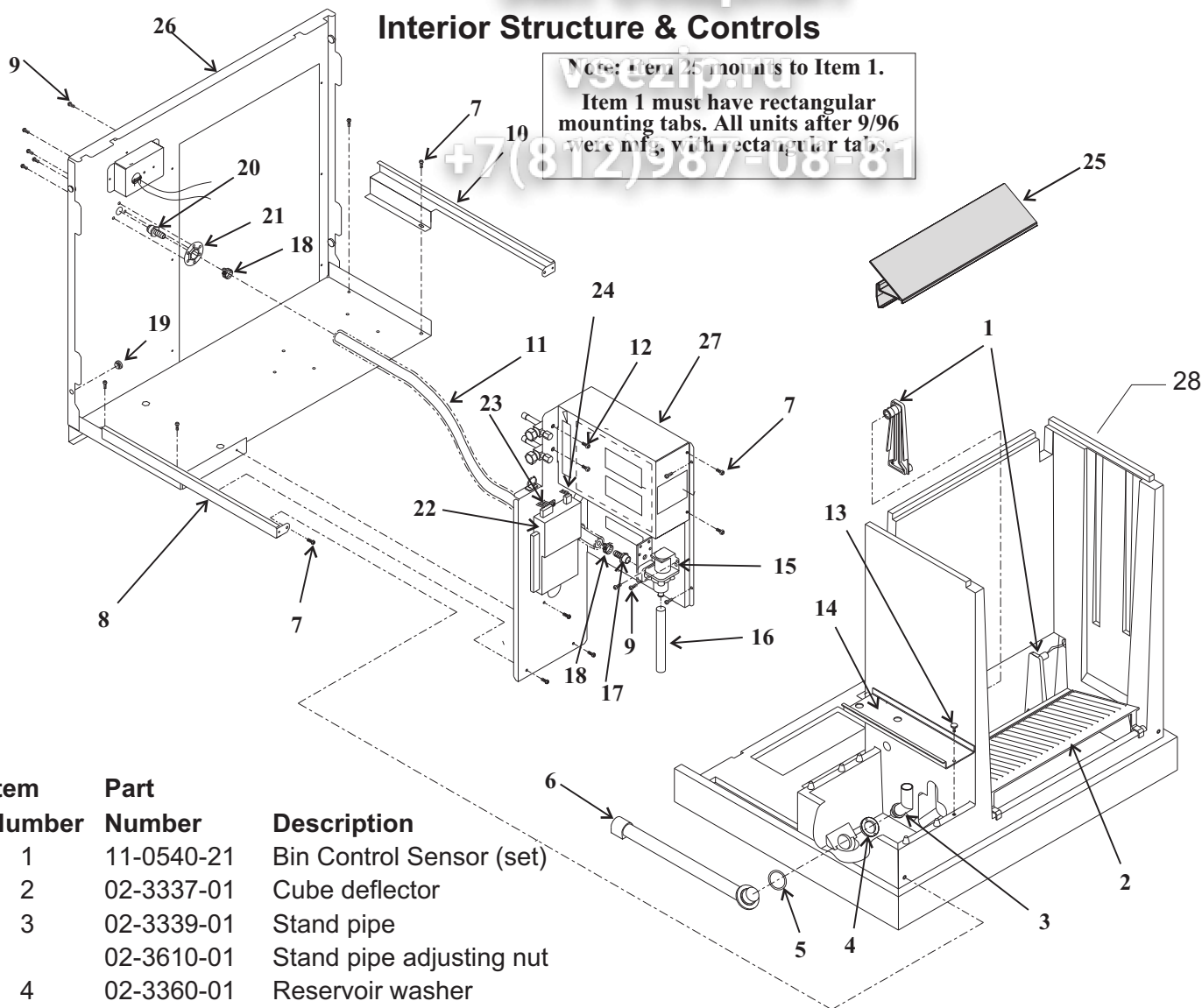
**CME256 or CME506 or CME656 or CME806 Service Parts Cabinet**



Item Number	Part Number	Description	
1	A35963-021	Right side panel, grey w/ louvers	
	A35963-022	Right side panel, stainless steel w/ louvers - fits all Air Cooled	
	A37071-021	Right side panel, painted w/out louvers (water cooled only)	
	A37071-022	A - D series right side panel, stainless steel without louvers (water cooled only)	
	A38126-021	E - H series right side panel, w/out louvers for water cooled only	
2	02-3659-01	Top insulation	
	02-3797-21	<b>C series Front panel kit, gray plastic</b> , includes trim strip & emblems	
3	03-1733-01	Strike (for C to H series panel, SS or plastic)	
	A37167-001	Front panel kit, SS, replaces gray plastic or SS, includes item 10a (for A series)	
3a	A37488-031	<b>C to H series Front panel kit, stainless steel</b> , includes trim strip & emblems	
	15-0808-01	Emblem for ss panel (Scotsman); 03-0271-00 is the speed nut for emblem	
3b	15-0792-02	Emblem for C to H series front panel, (CM <sup>3</sup> )	
4	03-1735-01	Screw for trim strip (for C to H series)	
	03-1404-12	Sheet metal screw for plastic front panel (for A series)	
	03-1419-22	Sheet metal screw for ss front panel	
5	02-1875-03	Panel bumper/hole plug	
	03-1531-01	Sheet metal screw	
7	A35962-021	Left side panel, grey enamel with louvers	
	A35962-022	Left side panel, stainless steel with louvers	
	A37070-021	Left side panel, grey enamel without louvers (water cooled only)	
	A37070-022	A - D series left side panel, stainless steel without louvers (water cooled only)	
	A38127-021	E - H series left side panel, w/out louvers for water cooled only	
8	02-3485-01	Air filter, air cooled only	
	A35965-001	Top panel, grey enamel, order item 2 also	
9	A35965-002	Top panel, stainless steel, order item 2 also	
	02-3822-21	Top panel, plastic, fits all, original to H series	
10a	02-3663-01	Evaporator cover, use began Feb. 1997. Fits A and B series	
	02-3796-01	Insulation for above cover	
	02-3663-20	Evap cover w/ ins for C - H series	
11	03-1423-06	Speed nut for panel screws	
12	03-1733-02	Catch	
	13	A37326-001	Filter bracket
	14	02-3794-31	Trim strip.
		03-1731-02	is the push nut for trim strip

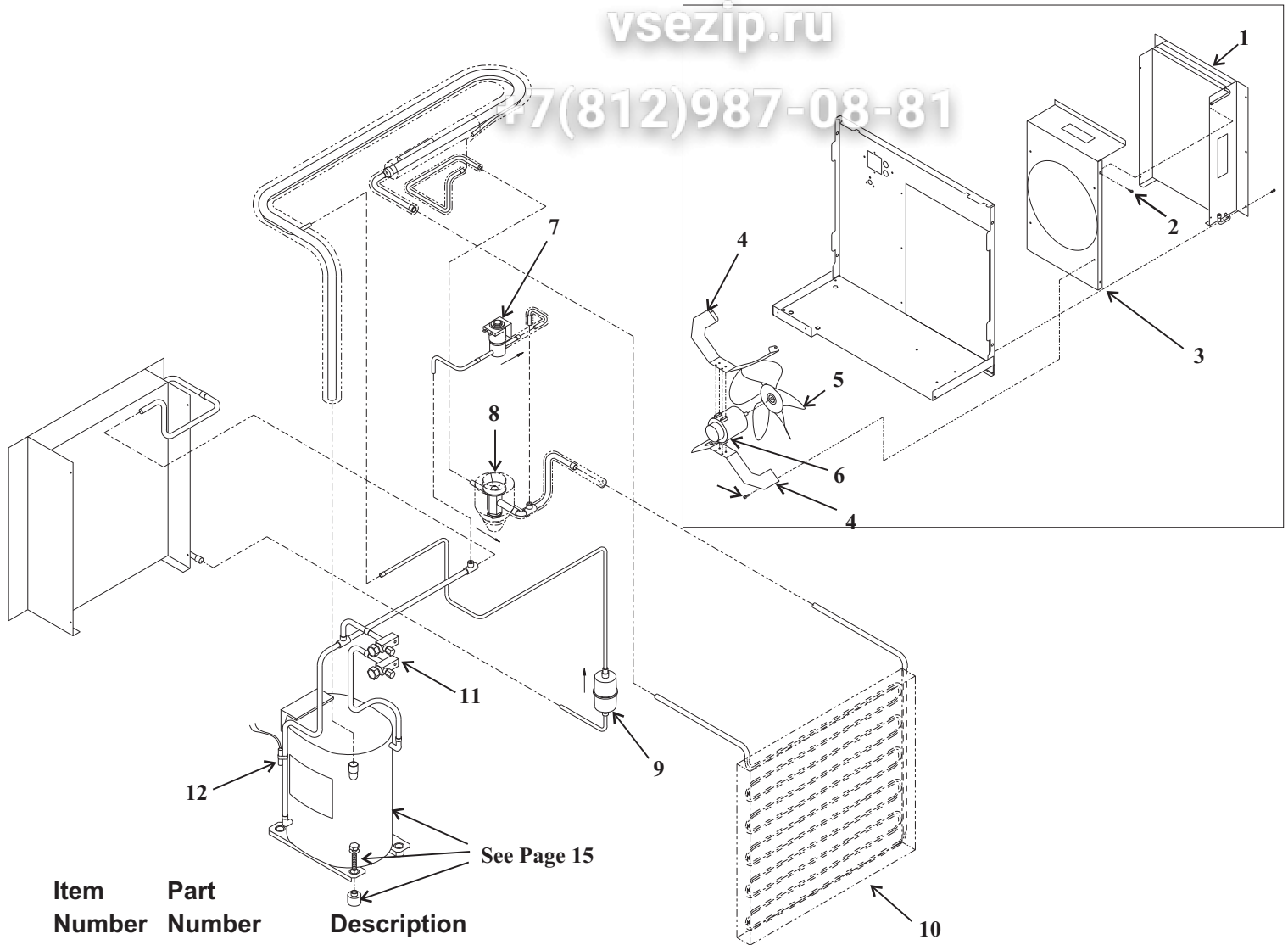
## Interior Structure & Controls

Note: Item 25 mounts to Item 1.  
Item 1 must have rectangular mounting tabs. All units after 9/96 were mfg. with rectangular tabs.



Item Number	Part Number	Description
1	11-0540-21	Bin Control Sensor (set)
2	02-3337-01	Cube deflector
3	02-3339-01	Stand pipe
	02-3610-01	Stand pipe adjusting nut
4	02-3360-01	Reservoir washer
5	13-0617-56	O-ring
6	02-3338-01	Drain tube & fittings
7	03-1404-18	Screw
8	A36298-001	Left side channel
9	03-1531-01	Screw
10	A36297-001	Right side channel
11	13-0906-01	Plastic inlet water hose, 21" req. order 2 units - not used after Sept. 1996
12	03-1645-01	Screw
13	03-1691-01	Nylon screw
14	02-3340-01	Reservoir cover
15	12-2548-01	Inlet water valve
16	13-0674-02	Tubing, 9" req., order 1 unit
17	02-3443-01	Water fitting for hose
	16-1020-01	Water fitting for copper
18	02-0179-05	Clamp
19	13-0903-01	Bumper for side panels
20	16-0997-01	Inlet water fitting for hose
	16-1019-01	Inlet water fitting for copper
21	16-0701-07	Mounting flange
22	12-2838-23	AutoIQ controller
23	12-2644-21	Low voltage harness A - C series
	12-2782-21	Low volt harness, D + series 60 Hz
	12-2782-23	Low volt harness, D + series 50 Hz
24	12-2618-01	Hi volt harness, w fan control A series
	12-2476-01	Hi volt harness for w/o fan control A-C
	12-2678-01	Hi volt harness for 50 Hz models A-C
	12-2784-21	Hi volt harness for D + series 60 Hz.
	12-2786-21	Hi volt harness for D + series 50 Hz.
25	02-3657-01	Cascading shield, used on CME806, 656 and 506 after 2/97
26	A36460-001	Back panel assy (ac)
	A36460-003	Back panel assy (wc)
27	A35959-001	Hi voltage box cover
28	A36457-001	Foamed base

CME256 Air Cooled Refrigeration



See Page 15

For models with a fan control switch:  
The part number of the fan control pressure switch is: 11-0508-21

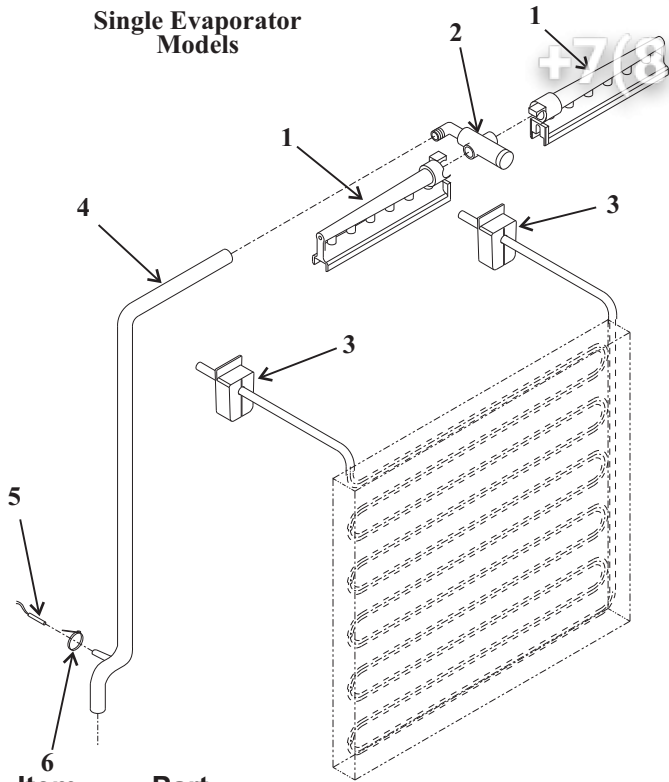
Item Number	Part Number	Description
1	18-8745-01	Condenser
2	03-1531-01	Screw
3	A36031-001	Shroud
4	A36668-001	Motor bracket
5	18-8503-01	Fan blade
6	<b>18-5505-01</b>	<b>Fan motor for 115 volt, 60 Hz</b>
	<b>18-5505-12</b>	<b>Fan motor for 230 volt, 50 Hz</b>
	<b>18-5505-11</b>	<b>Fan motor for 230 volt, 60 Hz</b>
7	12-2471-01	Hot gas valve w/coil
	12-2719-23	Hot gas valve coil only
8	16-1009-22	TXV
	02-4406-01	Insulation for TXV
9	02-3319-01	Dryer
10	A36734-020	Evaporator
11	16-0832-21	Access valve
11a	16-0832-03	Port cap
11b	16-0832-02	Stem cap
12	02-3410-21	Temp sensor, incl. water temp sensor & clip
	03-1711-01	Sensor clip
13	16-1063-02	Hot gas valve strainer (not shown)

Water System Components

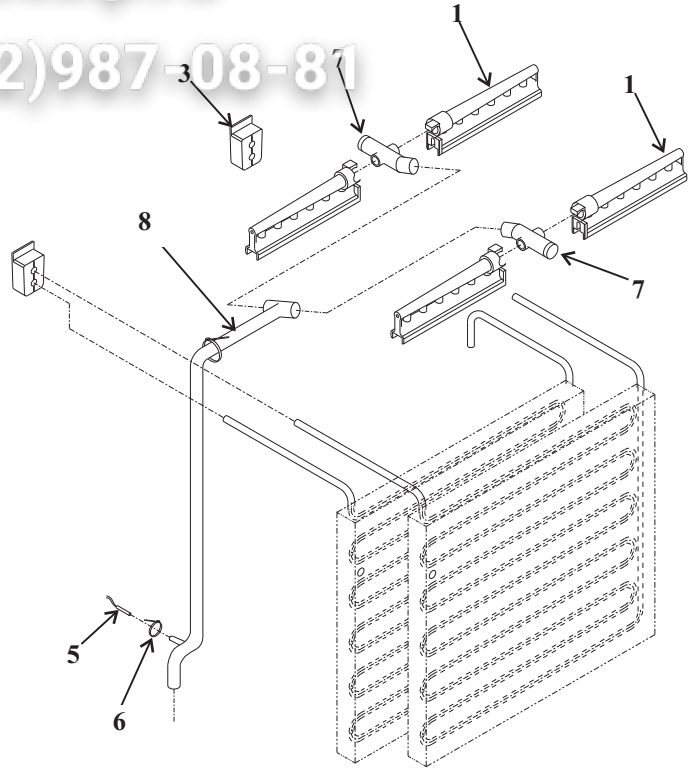
Зип Общепит  
vsezip.ru

+7(812)987-08-81

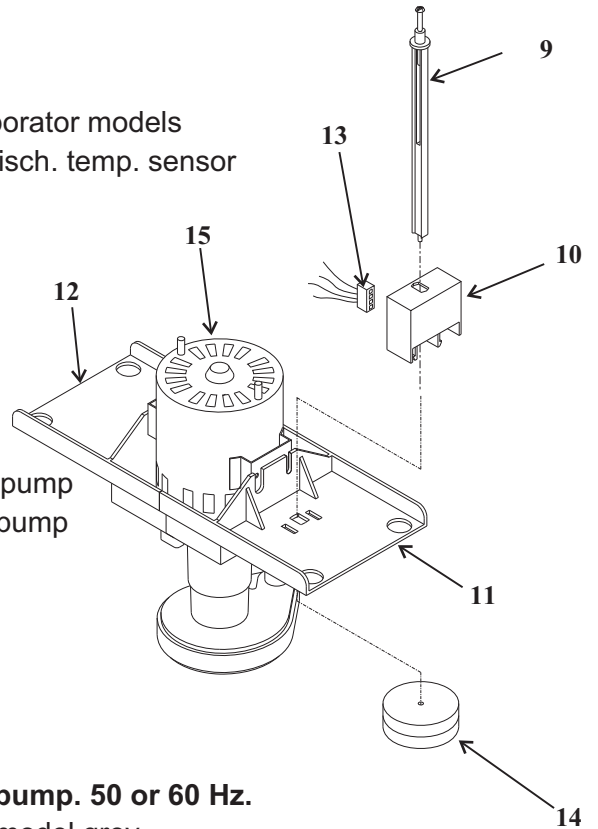
Single Evaporator Models



Two Evaporator Models

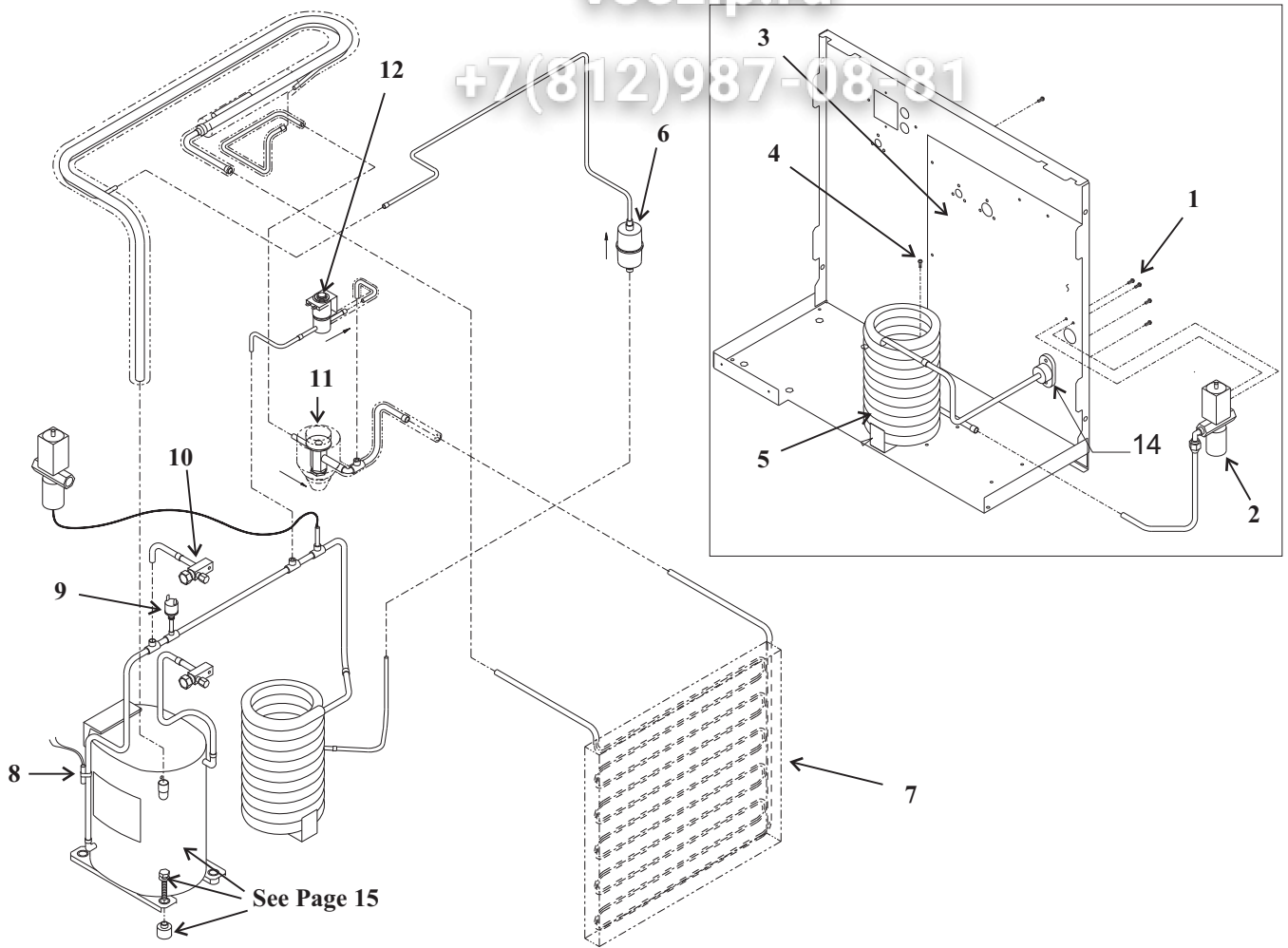


Item Number	Part Number	Description
1	02-2527-01	Water distributor
2	A30926-001	Distributor manifold
3	13-0898-02	Tubing grommet
4	02-3361-01	Water discharge tube for <b>single</b> evaporator models
5	02-3410-21	Water temperature sensor includes disch. temp. sensor
6	no number	Cable tie
7	02-3405-01	Inlet Tee
8	02-3336-01	Water distributor tube for <b>double</b> evaporator models
9	02-3383-01	Float stem, <b>1 evaporator model*</b>
	02-3383-02	Float stem, <b>2 evaporator model*</b>
10	11-0539-51	Float (water level) sensor
11	02-3388-04	Front pump bracket for 12-2586 type pump
12	02-3388-05	Rear pump bracket for 12-2586 type pump
13	12-2506-01	Harness
14	02-3341-01	Float
15	12-2586-21	<b>CME256-1 (115 volt) pump</b>
	12-2586-27	<b>CME506-1 (115 volt) pump</b>
	12-2586-26	<b>CME256-6 or -32 (208-230 volt),</b>
	12-2586-23	<b>CME506-6 or 32 (208-230 volt),</b>
		<b>CME656 or CME806 (208-230 volt) pump. 50 or 60 Hz.</b>



\* Not adjustable after 2/97. Then 1 evap model white, 2 evap. model grey.

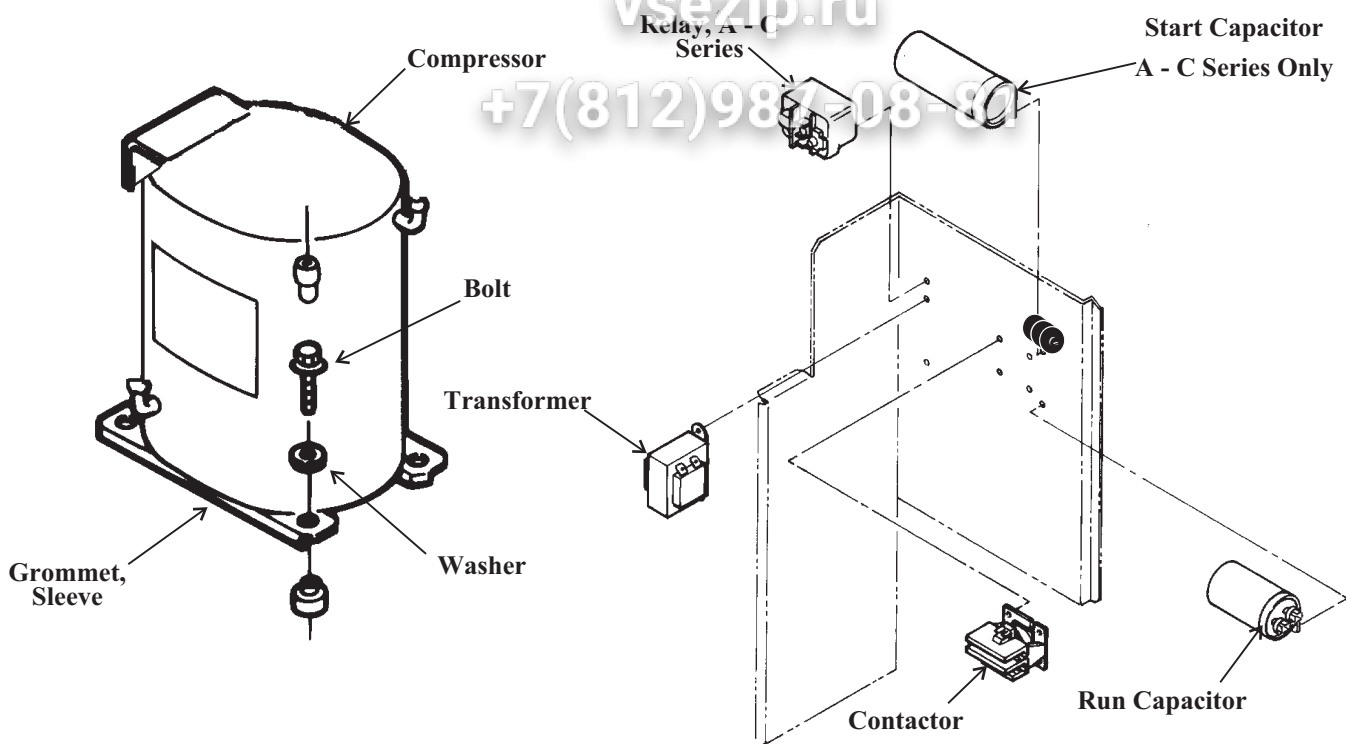
CME256 Water Cooled Refrigeration



Item Number	Part Number	Description
1	03-1403-15	Screw
2	11-0478-01	Water regulating valve
3	A36440-001	Back cover
4	03-1645-01	Screw
5	18-3306-25	Condenser, A thru E series
	18-8871-21	Condenser, F series
6	02-3319-01	Dryer
7	A36734-020	Evaporator
8	02-3410-21	Hi temperature sensor, includes water temp sensor & clip
	03-1711-01	Clip for sensor
9	11-0501-21	Hi pressure cut out
10	16-0832-21	Access valve
10a	16-0832-03	Port cap
10b	16-0832-02	Stem cap
11	16-1009-22	TXV 1/4 ton
	02-4406-01	Insulation for TXV

Item Number	Part Number	Description
12	12-2471-01	Hot gas valve w/coil
	12-2719-23	Hot gas valve coil only
13	16-1063-02	Hot gas valve strainer (not shown)
14	A31828-001	Fitting

Compressors and Electrical Components for CME256 and CME506



Model	CME256			CME506		
	115/60	208-230/60	230/50	115/60	208-230/60	230/50
Voltage/Hz	115/60	208-230/60	230/50	115/60	208-230/60	230/50
Phase	Single	Single	Single	Single	Single	Single
Compressor	18-8720-21*	18-8838-23*	18-8838-22	18-8721-21*	18-8839-23*	18-8721-22
PTCR - D thru F series only	18-8835-01	18-8835-01	18-8835-01	18-8835-01	18-8835-01	18-8835-01
Start Relay**	18-1903-44	not used	not used	18-1903-50	not used	18-1903-29
Start Capacitor**	18-1901-49	not used	18-2200-35	18-1901-03	not used	18-1901-43
Run Capacitor	18-1902-52	18-1902-17	not used	18-1902-45	18-1902-45	18-1902-30
Overload	18-5700-50	18-8838-50	18-5700-55	18-8711-50	18-8839-50	18-8721-50
Mounting Bolt	03-1405-20	03-1405-20	03-1405-20	03-1405-20	03-1405-20	03-1405-20
Sleeve	18-2200-27	18-2200-27	18-2200-27	18-2200-27	18-2200-27	18-2200-27
Washer	03-1407-07	03-1407-07	03-1407-07	03-1407-07	03-1407-07	03-1407-07
Grommet	18-2200-28	18-2200-28	18-2200-28	18-2200-28	18-2200-28	18-2200-28
Contactora	12-2469-01	12-2469-01	12-2469-01	12-2469-01	12-2469-01	12-2469-01
Transformer	A37231-001	A37217-001	12-2639-02	A37231-001	A37217-001	A37217-001

\* Includes starting components. All compressors include a drier. \*\* D thru F series uses PTCR

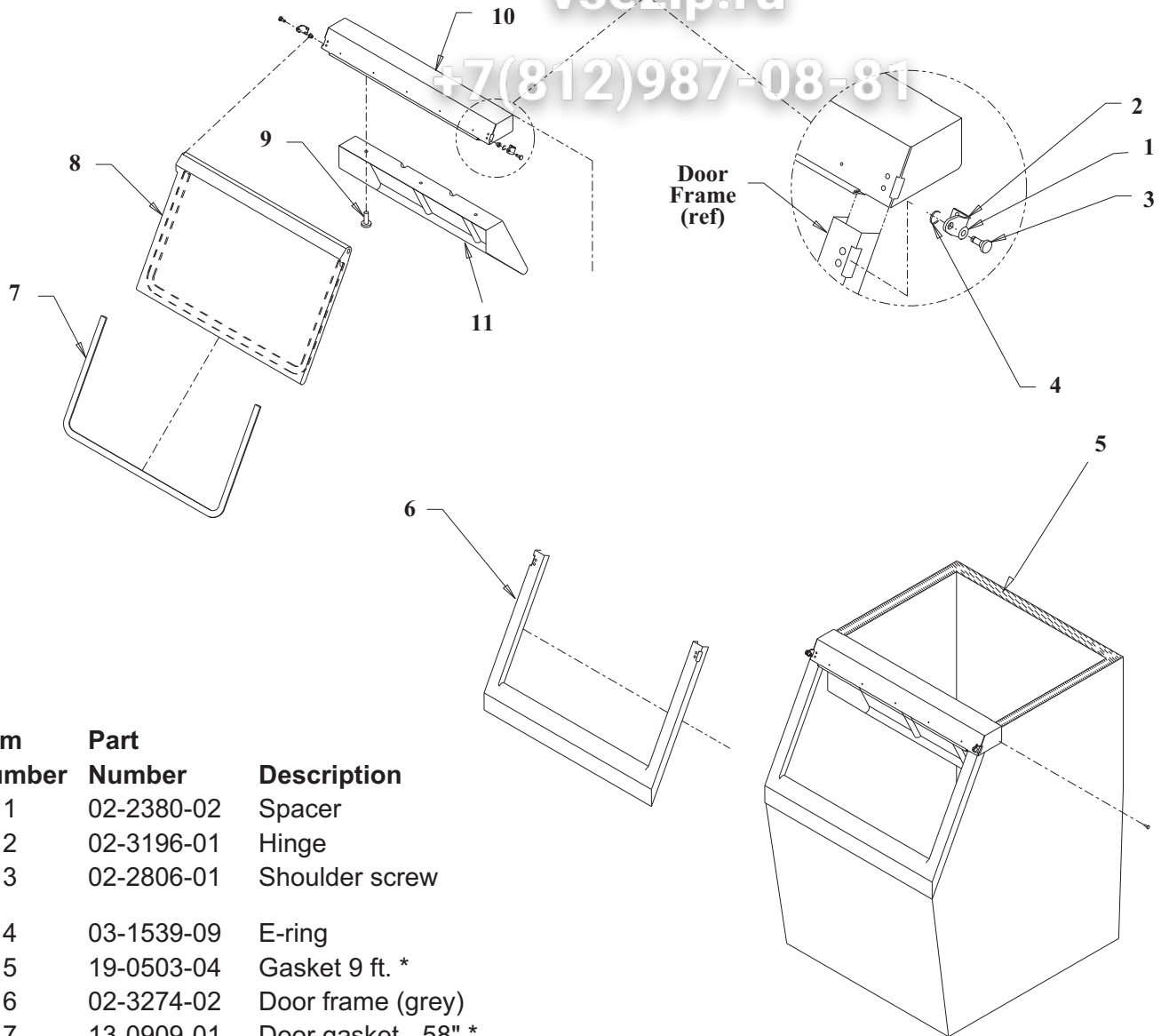
-6B, C, D, E, F series	Transformer	Hi Voltage Harness	Fuse	Fuse Block	Relay	Relay Bracket
CME256 or CME506	12-2639-02	12-2678-21	12-2686-01	12-2687-01	12-2679-01	12-2680-01

HTB555 Ice Storage Bin

Зип Общепит

vsezip.ru

+7(812)987-08-81



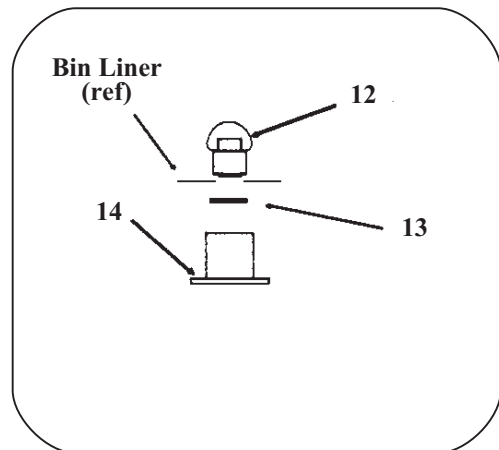
Item Number	Part Number	Description
1	02-2380-02	Spacer
2	02-3196-01	Hinge
3	02-2806-01	Shoulder screw
4	03-1539-09	E-ring
5	19-0503-04	Gasket 9 ft. *
6	02-3274-02	Door frame (grey)
7	13-0909-01	Door gasket - 58" *
8	A36481-022	Door, grey, includes #7.
9	03-0727-11	Thumb screw
10	A35637-001	Canopy
11	A35640-001	Baffle
12	02-2809-02	Drain top
13	13-0617-09	O-ring
14	02-3108-01	Drain bottom

Not shown

03-1404-07	Screw for drain bottom
05-0586-01	Drain elbow
02-0540-00	Scoop
KLP2E	Enamel leg kit

\* Order gasket by the foot.

Optional: A35477-001 Scoop holder, not shown

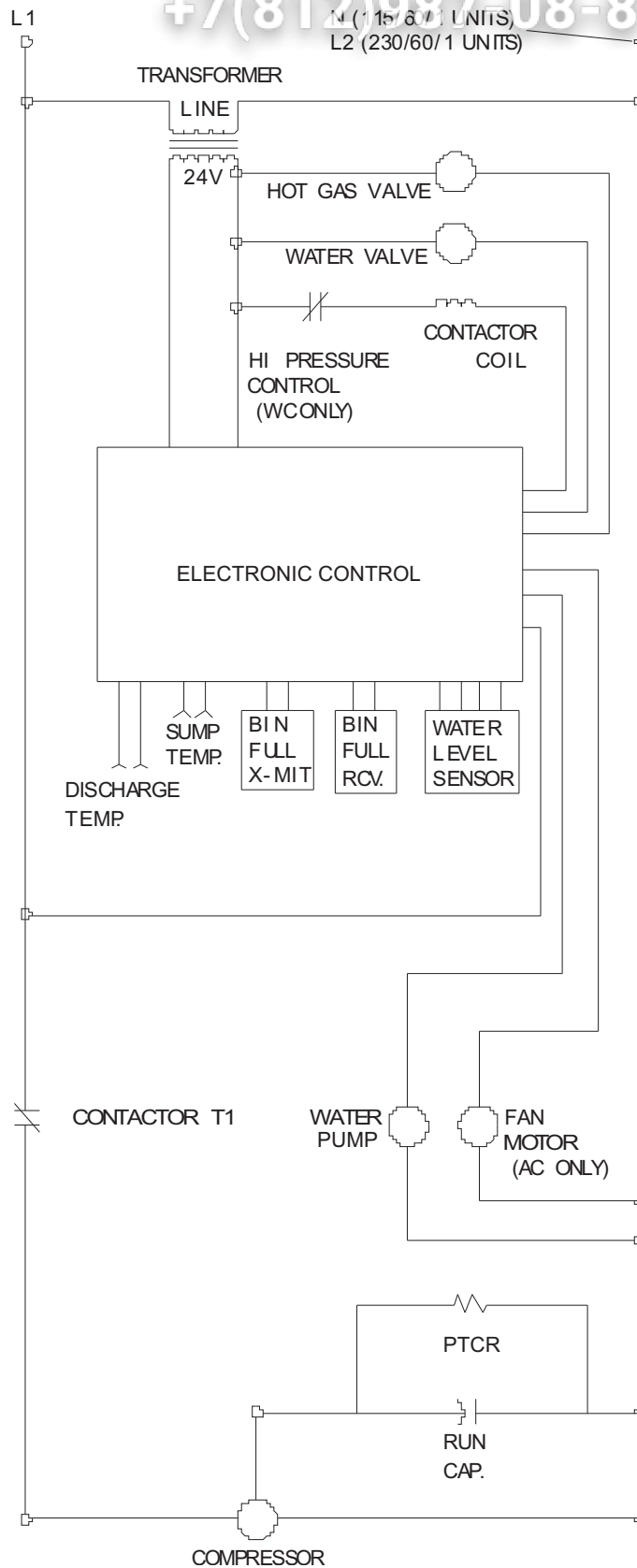




D thru H Series Single Phase 60 Hz Schematic Diagram

Всёzip.ru  
vsezip.ru

+7(812)987-08-81



CME256 or CME506 or CME656 or CME806 Service Parts

D thru H Series, 115 volt CME256 and CME506 Wiring Diagram

vsezip.ru

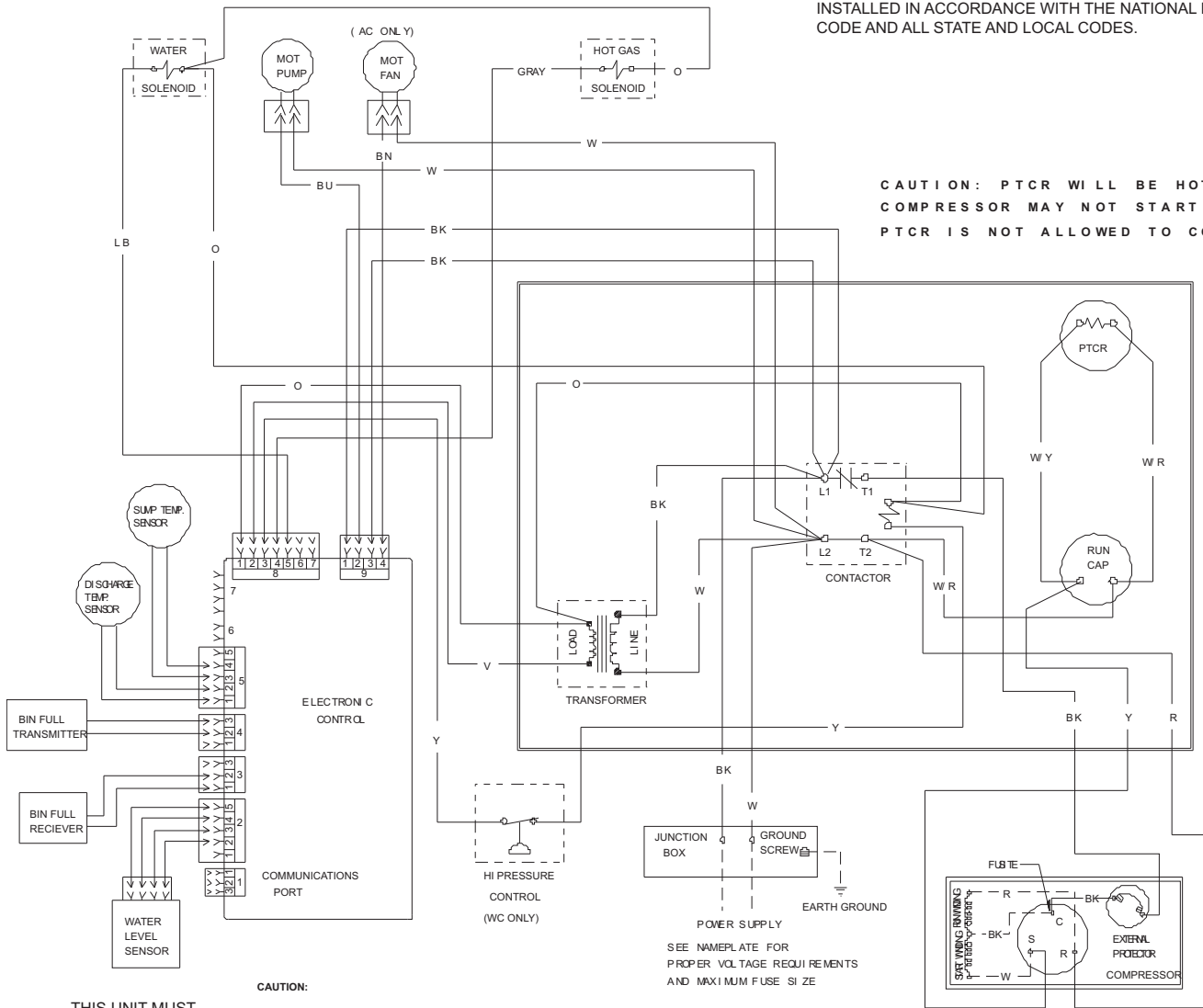
+7(812)987-08-81

17-2747-01

USE COPPER CONDUCTORS ONLY

**⚠ DASHED LINES INDICATE FIELD WIRING WHICH MUST BE INSTALLED IN ACCORDANCE WITH THE NATIONAL ELECTRICAL CODE AND ALL STATE AND LOCAL CODES.**

**CAUTION: PTCR WILL BE HOT. COMPRESSOR MAY NOT START IF PTCR IS NOT ALLOWED TO COOL.**



THIS UNIT MUST BE GROUNDED.

CAUTION:  
MORE THAN ONE DISCONNECT MEANS MAY BE REQUIRED TO DISCONNECT ALL POWER TO THIS UNIT.

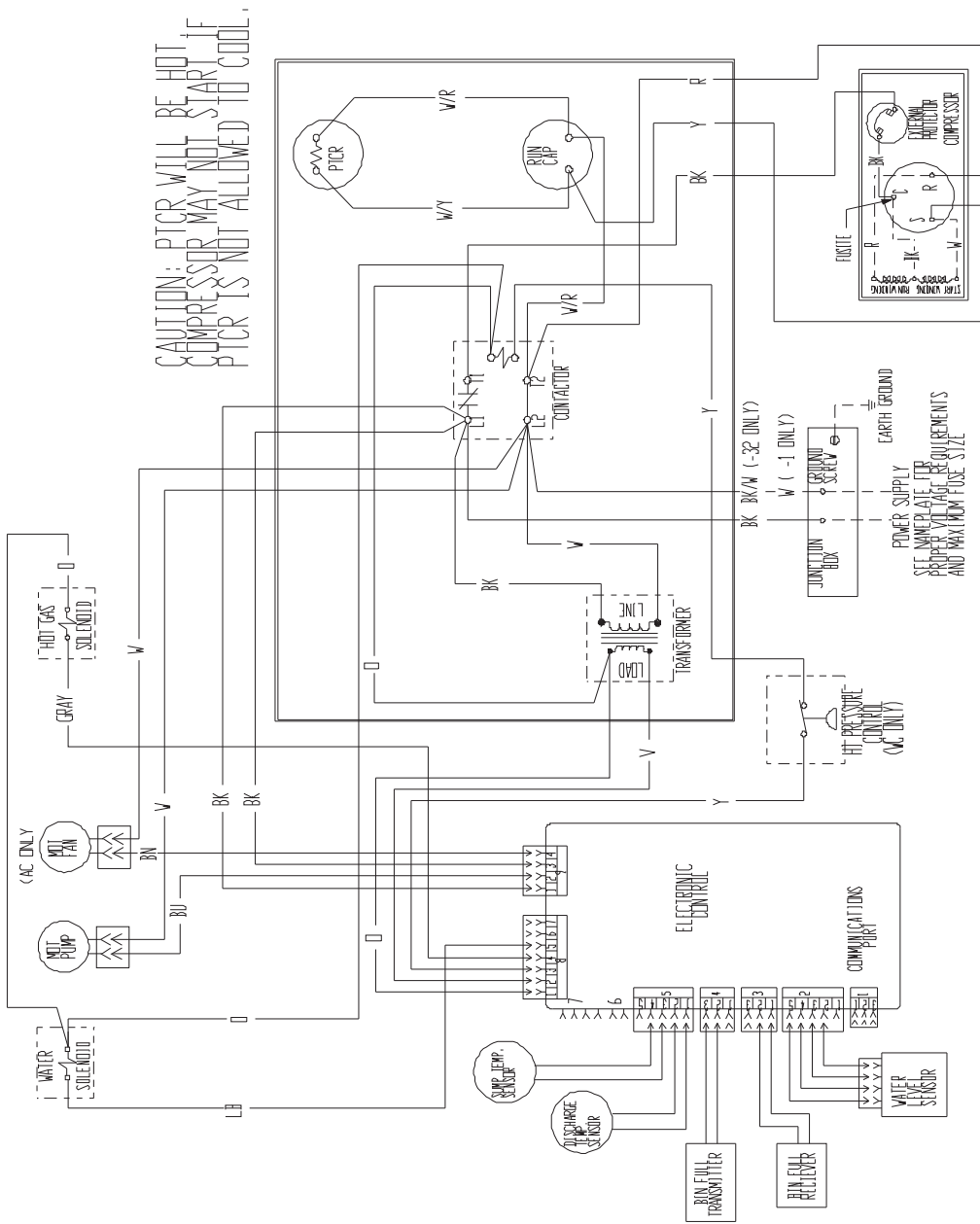
POWER SUPPLY  
SEE NAMEPLATE FOR PROPER VOLTAGE REQUIREMENTS AND MAXIMUM FUSE SIZE

D thru H Series, 230 volt, 60 Hz. CME256 and CME506 Diagram

WIRING DIAGRAMS INDICATE FIELD WIRING WHICH MUST BE INSTALLED IN ACCORDANCE WITH THE NATIONAL ELECTRICAL CODE AND ALL STATE AND LOCAL CODES.

USE COPPER CONDUCTORS ONLY

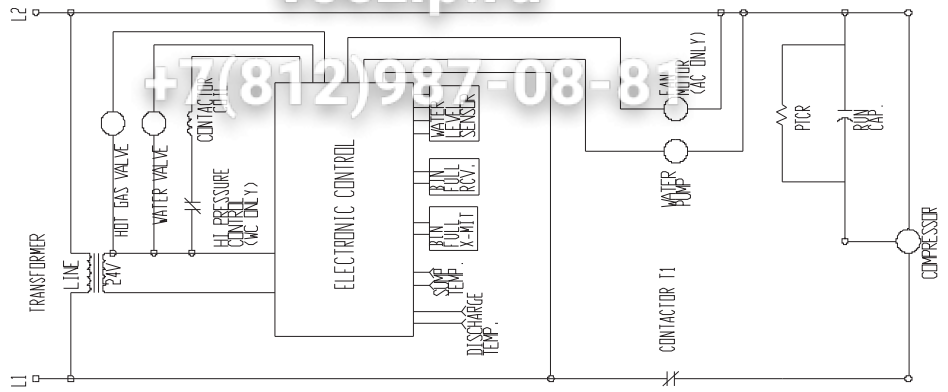
17-2863-01



CAUTION: PTCR WILL BE HOT. COMPRESSOR MAY NOT START IF PTCR IS NOT ALLOWED TO COOL.

CAUTION: MORE THAN ONE DISCONNECT MEANS MAY BE REQUIRED TO DISCONNECT ALL POWER TO THIS UNIT.

THIS UNIT MUST BE GROUNDED.

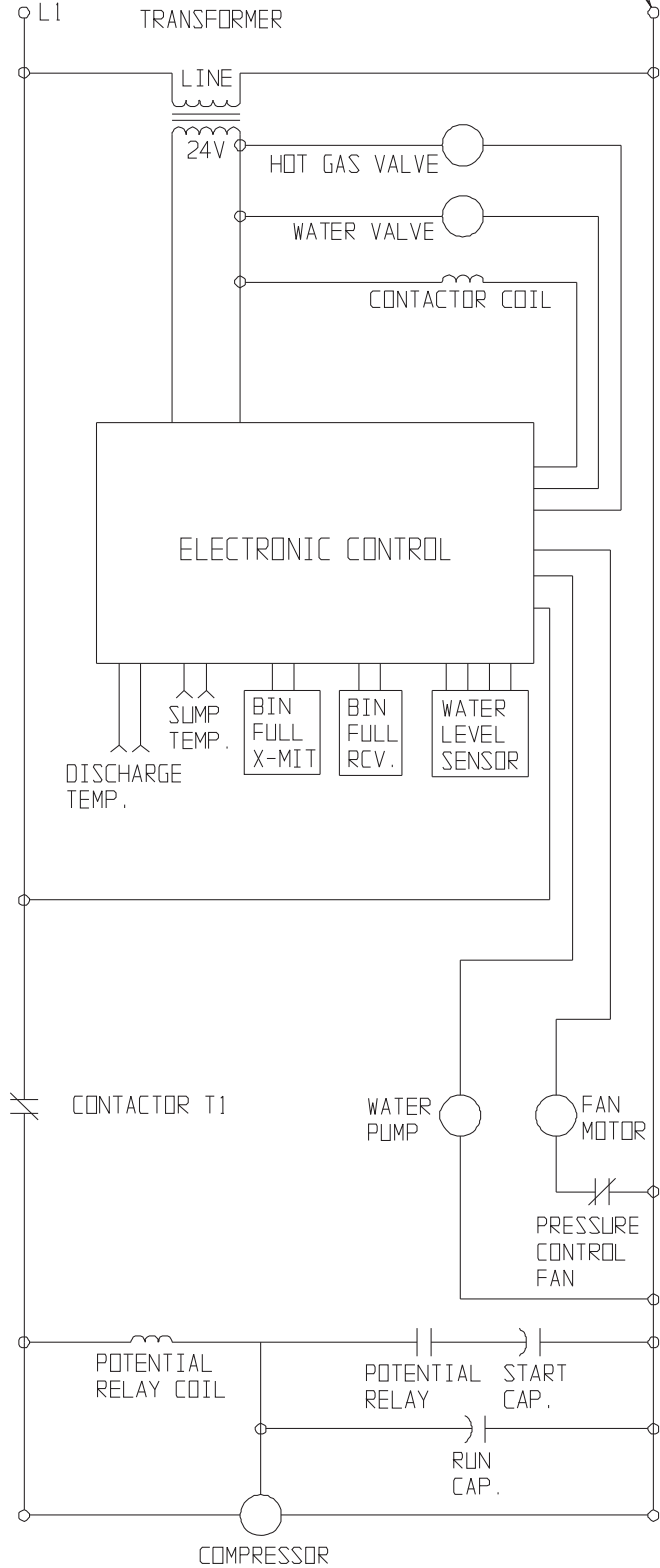


+7(812)987-08-80

zip общенит  
vsezip.ru

A - C Series Single Phase Air Cooled Schematic Diagram

vsezip.ru  
N (115/60/1 UNITS)  
L2 (230/50/1 UNITS)  
+7(812)987-08-81

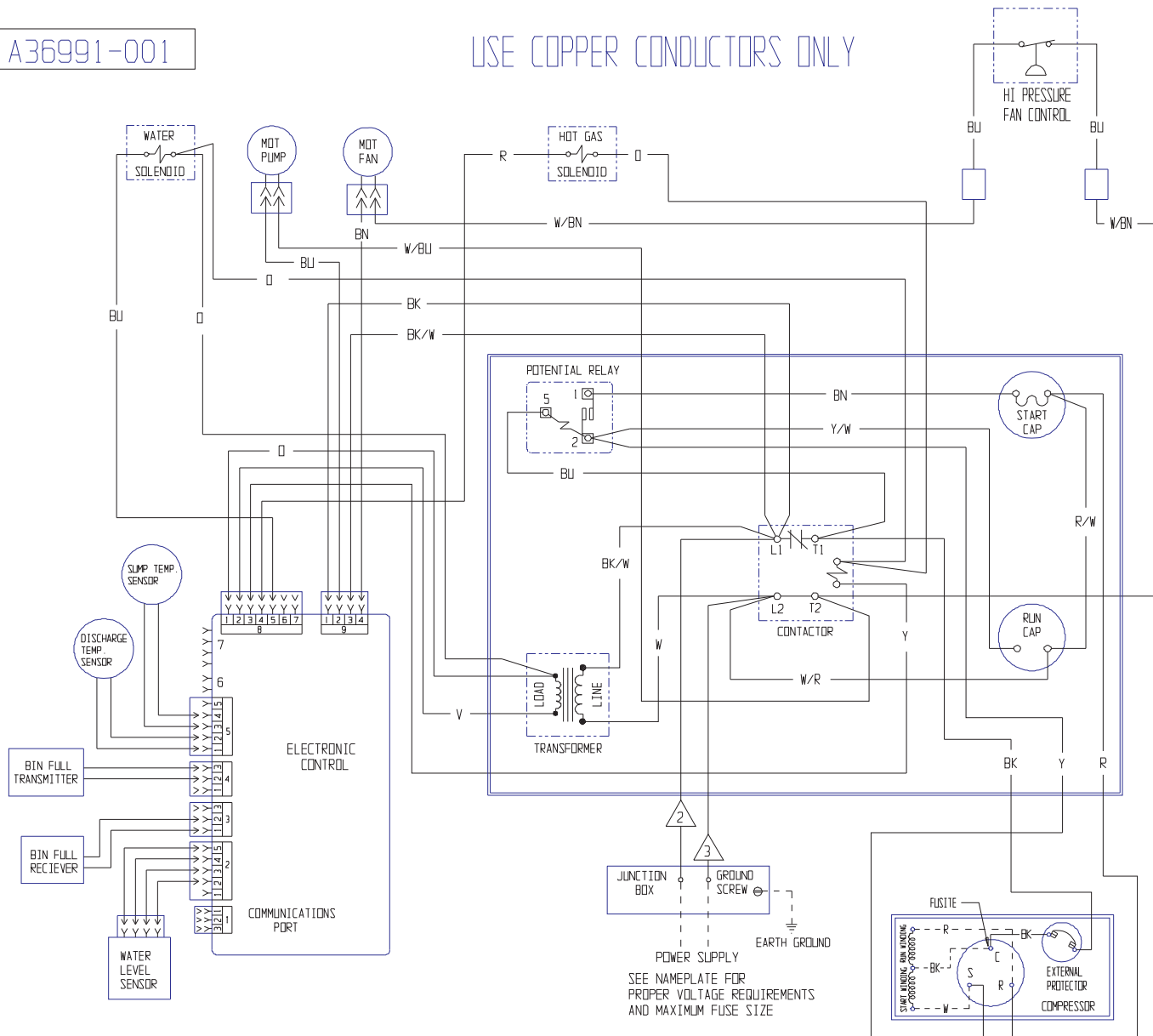


A - C Series CME256 and CME506 Air Cooled Wiring Diagram

+7(812)987-08-81

A36991-001

USE COPPER CONDUCTORS ONLY



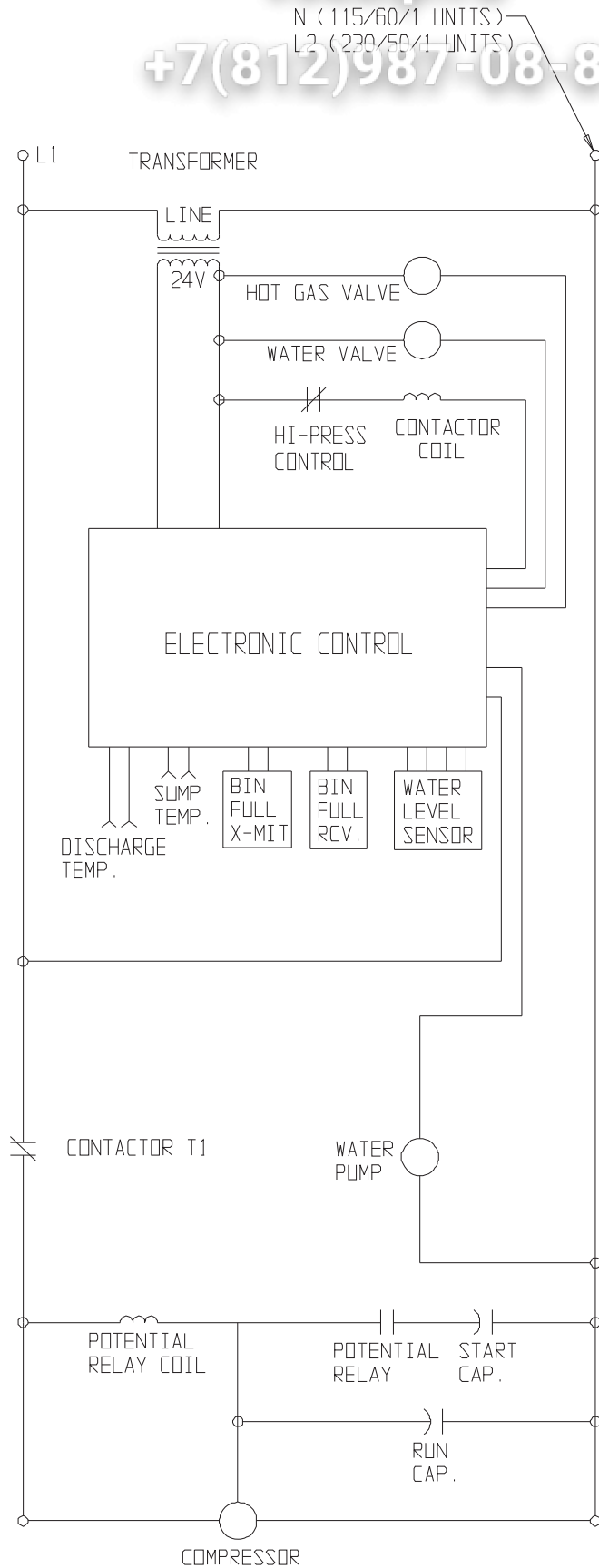
THIS UNIT MUST BE GROUNDED.

CAUTION:

MORE THAN ONE DISCONNECT MEANS MAY BE REQUIRED TO DISCONNECT ALL POWER TO THIS UNIT.

- ⚠ DASHED LINES INDICATE FIELD WIRING WHICH MUST BE INSTALLED IN ACCORDANCE WITH THE NATIONAL ELECTRICAL CODE AND ALL STATE AND LOCAL CODES.
- ⚠ WIRE COLOR FOR 115/60/1 UNITS: BLACK  
WIRE COLOR FOR 230/50/1 UNITS : BROWN
- ⚠ WIRE COLOR FOR 115/60/1 UNITS: WHITE  
WIRE COLOR FOR 230/50/1 UNITS : BROWN

A - C Series Water Cooled Single Phase Schematic Diagram

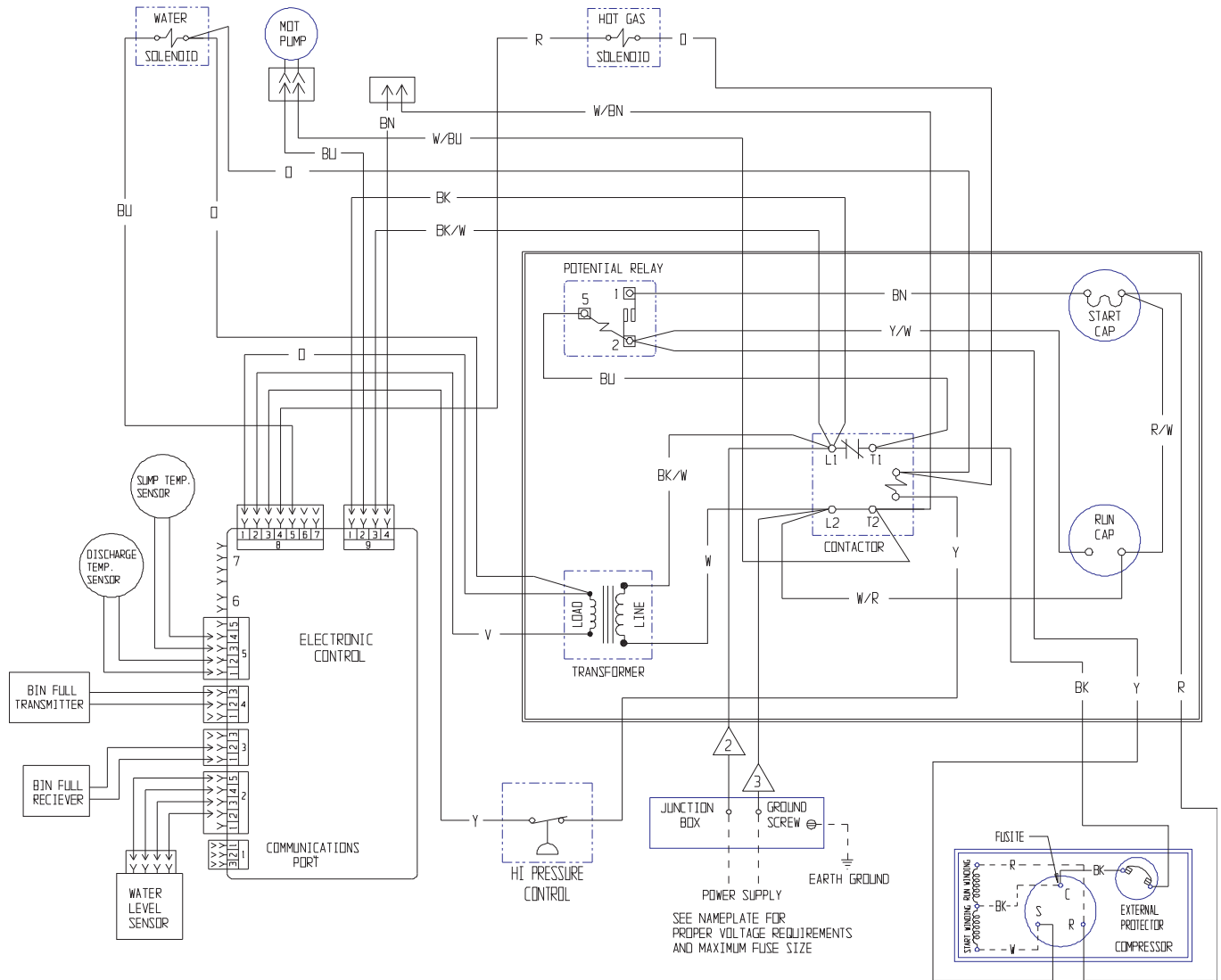


A - C Series CME256 and CME506 Water Cooled Wiring Diagram

+7(812)987-08-81

A36670-001

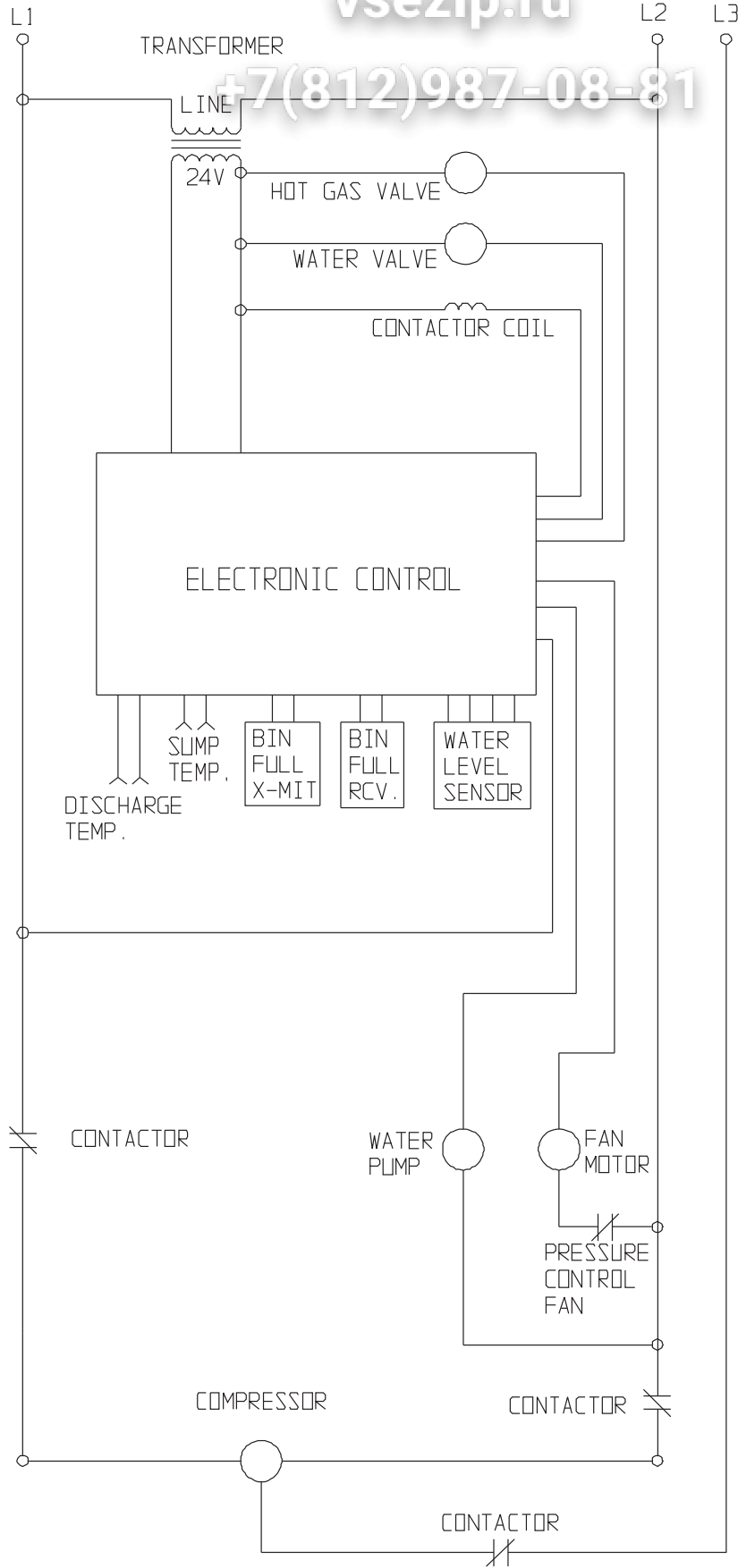
USE COPPER CONDUCTORS ONLY



CAUTION:  
MORE THAN ONE DISCONNECT MEANS MAY BE  
REQUIRED TO DISCONNECT ALL POWER TO THIS UNIT.

THIS UNIT MUST  
BE GROUNDED.

A - H Series Three Phase Air Cooled Schematic Diagram



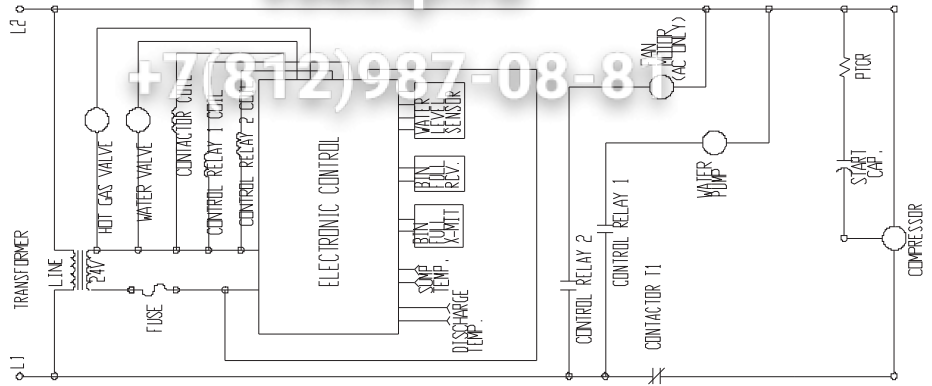


D thru H Series, 50 Hz CME256 Diagram

Зип Общенит  
vsezip.ru

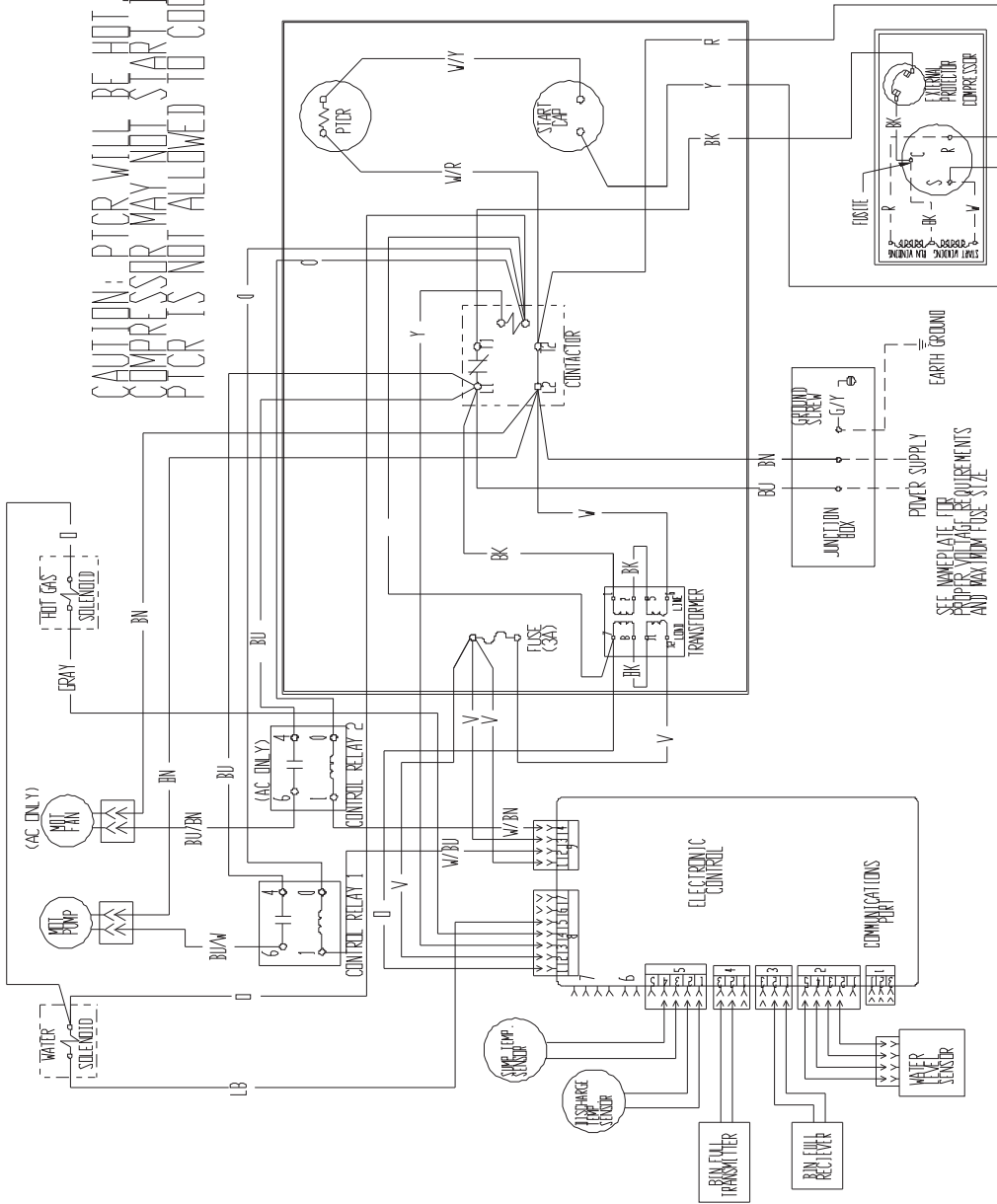
+7(812)987-08-8

△ DASHED LINES INDICATE FIELD WIRING WHICH MUST BE INSTALLED IN ACCORDANCE WITH THE NATIONAL ELECTRICAL CODE AND ALL STATE AND LOCAL CODES.



USE COPPER CONDUCTORS ONLY

CAUTION: PTCR WILL BE HOT IF COMPRESSOR MAY NOT START IF PTCR IS NOT ALLOWED TO COOL.



CAUTION: MORE THAN ONE DISCONNECT MEANS MAY BE REQUIRED TO DISCONNECT ALL POWER TO THIS UNIT.

17-2816-01

THIS UNIT MUST BE GROUND.