

# MC 13-45

Зип Общелит

vsezip.ru

## Electronic modular cuber

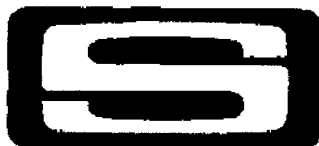
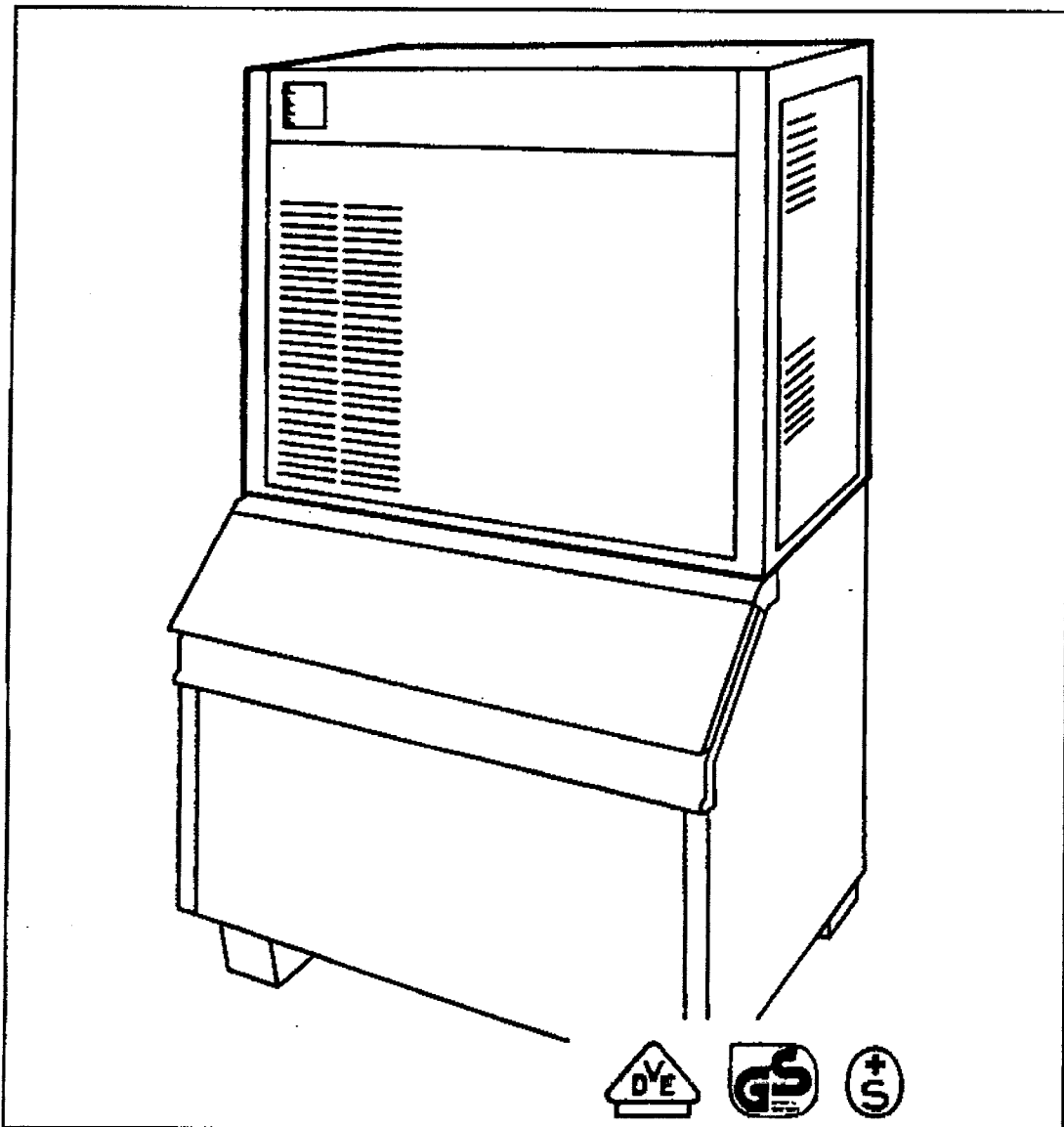
+7(812)987-08-81

Spare parts list

Catalogo ricambi

Catalogues pièces détachées

Ersatzteilkatalog



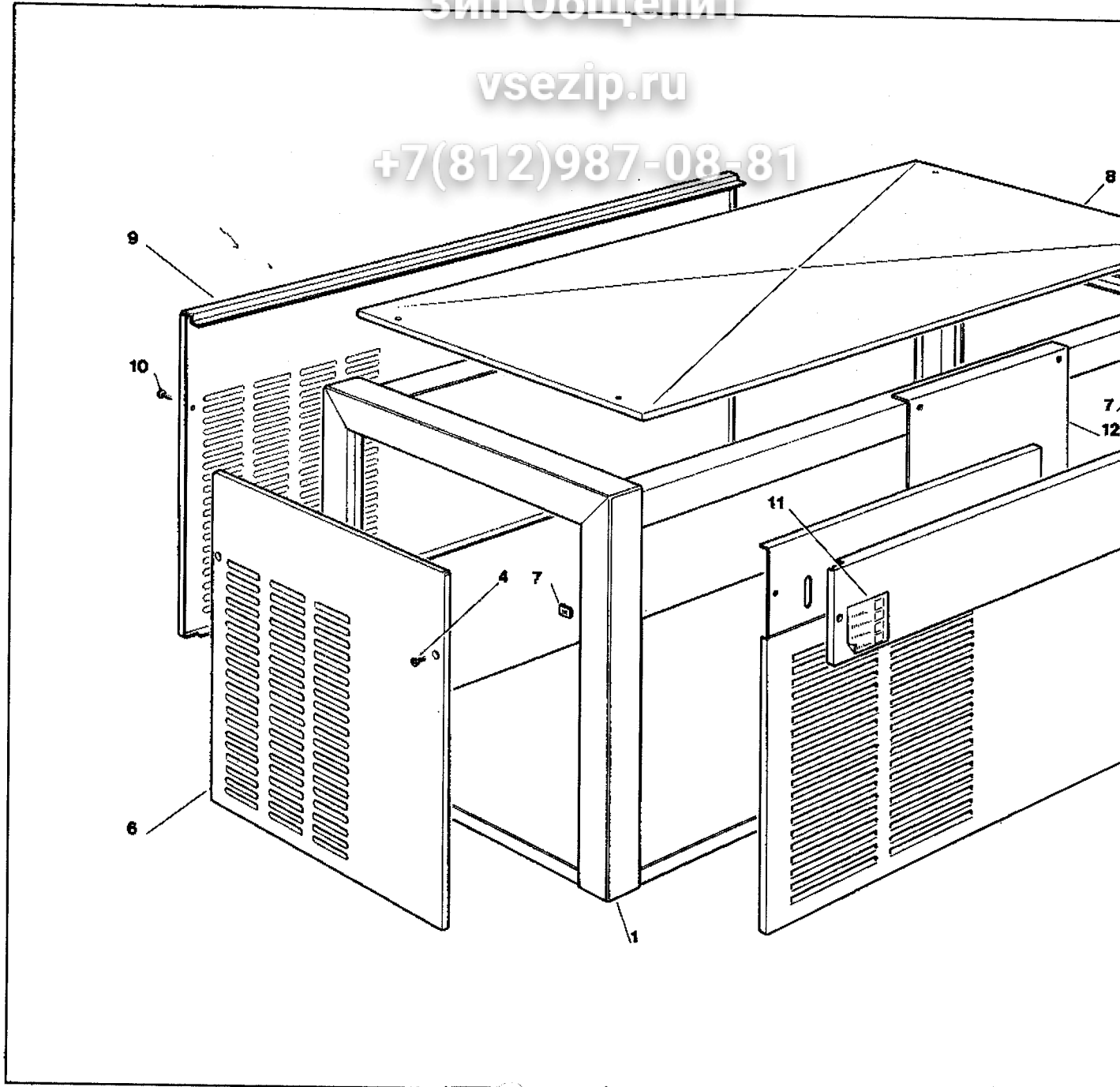
# SCOTSMAN®

## ICE SYSTEMS

Зип-Общепит

vsezip.ru

+7(812)987-08-81



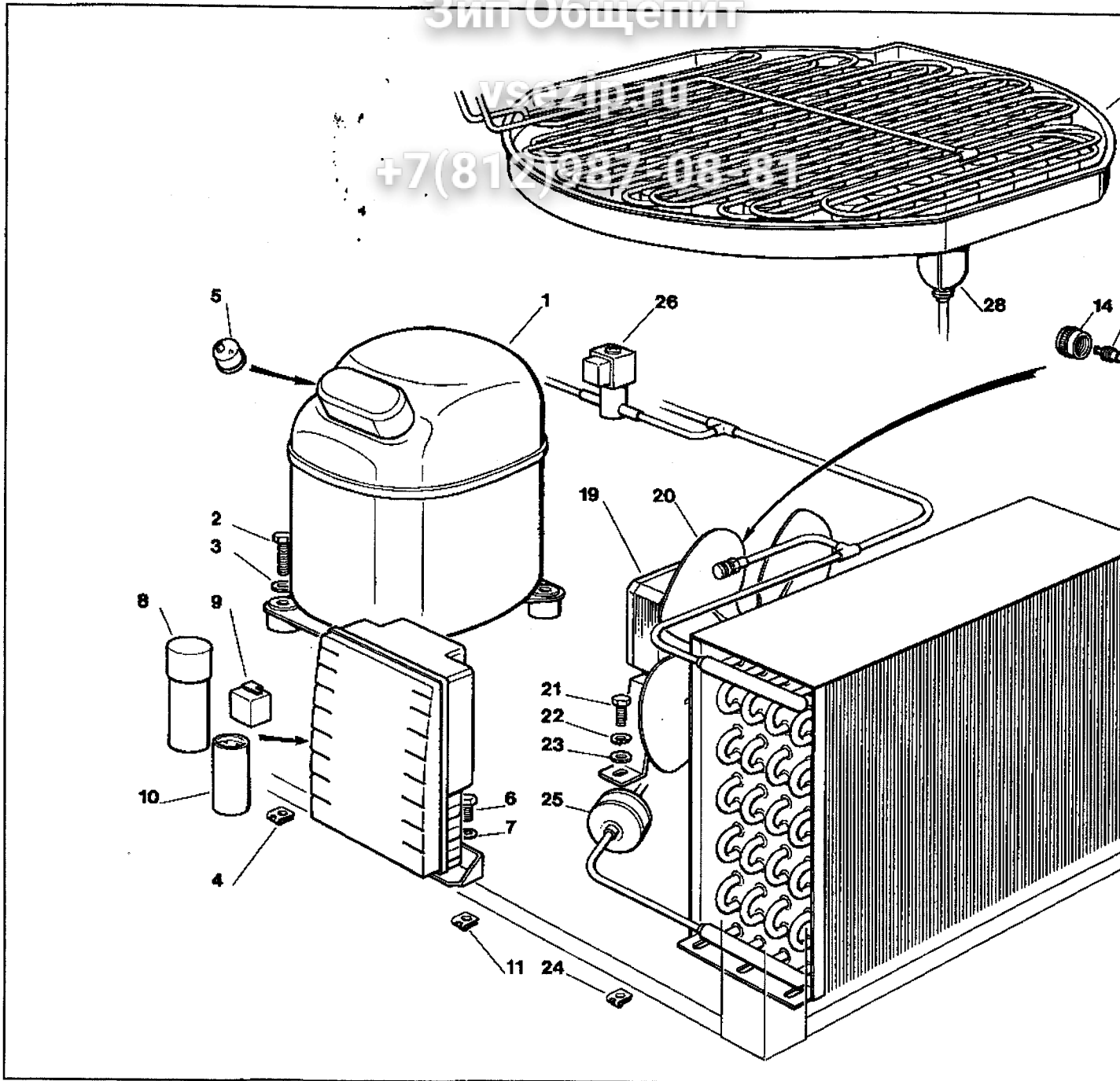
MC 15 - 45 - UNIT PANELS - ASSIEME MOBILE - ENS. CARROSSERIE - MACHINE

ITEM NO POS NO REP. NO REF. NO	PART NO - CODICE REFERENCE - STUECK NR		DESCRIPTION	DESCRIZIONE	DESIGNATION
	MC 15	MC 45			
1	791045 09	791045 11	FRAME ASSY S.S.	ASSIEME METALLO ACCIAIO INOX	ENSAMBLE CHASSIS ACIER
2	701997 09	701997 11	FRONT PANEL S.S.	PANNELLO FRONTALE ACCIAIO INOX	PANNEAU AVANT ACIER INOX
3	721495 16	721495 18	FRONT UPPER PANEL	PANNELLO FRONTALE SUPERIORE	PANNEAU AVANT SUPERIEUR
4	470002 06	470002 06	SCREW	VITE	VIS
5	701857 02	701857 04	RIGHT SIDE PANEL S.S.	PANNELLO LATERALE DX ACC. INOX	PANNEAU DROITE ACIER INOX
6	701856 02	701856 04	LEFT SIDE PANEL S.S.	PANNELLO LATERALE SX ACC. INOX	PANNEAU GAUCHE ACIER INOX
7	650028 01	650028 01	METAL CLIP	MADREVITE METALLICA	ECROU
8	701995 01	701995 01	TOP PANEL S.S.	PANNELLO SUPERIORE ACC. INOX	PANNEAU SUPERIEUR ACIER INOX
9	701996 01	701996 06	REAR PANEL S.S.	PANNELLO POSTERIORE ACC. INOX	PANNEAU ARRIERE ACIER INOX
10	470002 06	470002 06	SCREW	VITE	VIS
11	650624 01	650624 01	LABEL	ADESIVO SEGNALETICO	ETIQUETTE
12	*****	704254 02	UPPER EVAPORATOR BRACKET	SUPP. EVAPORATORE SUP.	SUPPORT ÉVAPORATEUR SUP.

Зип Ощепит

Усе Зип ТН

+7(812)987-08-81



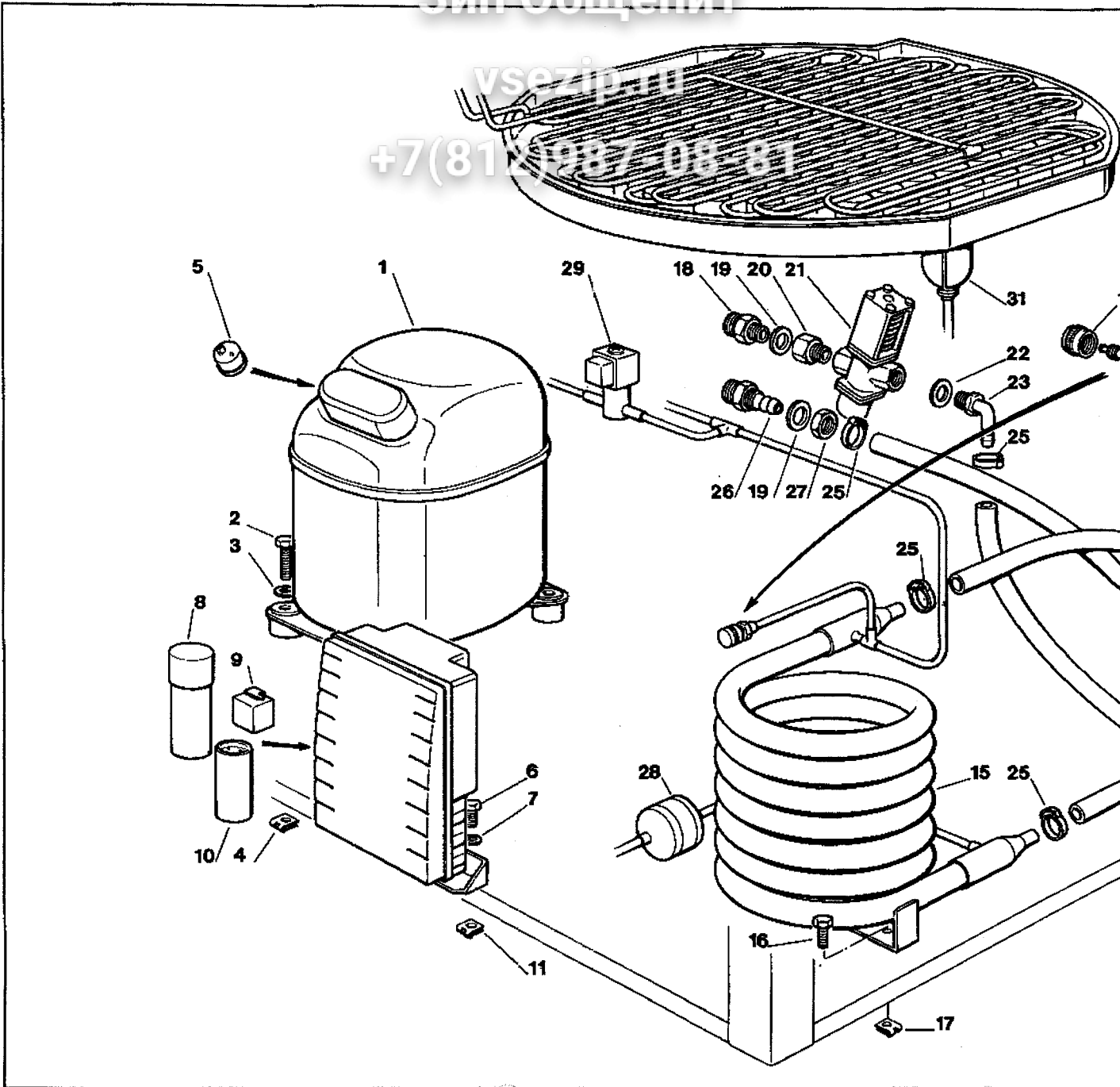
MC 15 - 45 - REFRIGERANT SYSTEM AIR COOLED - SISTEMA REFRIGERANTE RA  
CIRCUIT FRIGORIFIQUE REFROID. PAR AIR - LUFTGEKÜHLT GEFRIERSYST

ITEM NO POS NO REP. NO REF. NO	PART NO - CODICE REFERENCE - STUECK NR		DESCRIPTION	DESCRIZIONE	DESIGNATION
	MC 15	MC 45			
1	670076 11 670076 13	670088 09 670088 08	COMPRESSOR ASSY 220 V COMPRESSOR ASSY 380 V	ASSIEME COMPRESSORE 220 V ASSIEME COMPRESSORE 380 V	ENSAMBLE COMPRESSEUR ENSAMBLE COMPRESSEUR
2	420043 00	420043 00	SCREW	VITE	VIS
3	440088 00	440088 00	WASHER	RONDELLA	RONDELLE
4	650407 01	650407 01	METAL CLIP	DADO IN GABBIA	ECROU
5	620058 47 620058 49	***** *****	PROTECTOR 220 V PROTECTOR 380 V	PROTETTORE 220 V PROTETTORE 380 V	PROTECTEUR 220 V PROTECTEUR 380 V
6	420000 22	420000 22	SCREW	VITE	VIS
7	440026 00	440026 00	WASHER	RONDELLA	RONDELLE
8	620167 25	620167 24	RUN CAPACITOR 220 V	CAPACITA DI MARCIA 220 V	CAPACITÉ PERMANENCE 220
9	620168 13	620168 18	START RELAY 220 V	RELE DI AVVIAMENTO 220 V	RELAIS DE DEMARRAGE 220
10	620167 22	620167 26	START CAPACITOR 220 V	CAPACITA D'AVVIAMENTO 220 V	CAPACITÉ DE DEMARRAGE
11	650029 03	650029 03	METAL CLIP	DADO IN GABBIA	ECROU
12	650109 00	650109 00	VALVE BODY	CORPO VALVOLA	CORPS DE VANNE
13	670012 00	670012 00	VALVE PISTON	PISTONCINO VALVOLA	PISTON
14	650106 00	650106 00	VALVE CAP	CAPPUCCIO VALVOLA	CAPUCHON DE VANNE
15	620378 00	620410 00	AIR COOLED CONDENSER	CONDENSATORE AD ARIA	CONDENSEUR A AIR
16	420000 23	420000 23	SCREW	VITE	VIS
17	440084 00	440084 00	WASHER	RONDELLA	RONDELLE
18	650029 03	650029 03	METAL CLIP	DADO IN GABBIA	ECROU
19	620233 00 ***** *****	620300 06 620413 00 620338 04	FAN MOTOR UPPER FAN MOTOR GRID	MOTORE VENTILATORE MOTORE VENT. SUPERIORE GRIGLIA	MOTEUR VENTILATEUR MOTEUR VENT. SUPERIEUR GRILLE
20	620000 00 ***** *****	620000 03 620000 01 620000 02	FAN BLADE UPPER FAN BLADE 50 Hz UPPER FAN BLADE 60 Hz	VENTOLA VENTOLA SUP. 50 Hz VENTOLA SUP. 60 Hz	HELICE HELICE SUP. 50 Hz HELICE SUP. 60 Hz
21	420010 00	420010 00	SCREW	VITE	VIS
22	440084 00	440084 00	WASHER	RONDELLA	RONDELLE
23	440026 00	440026 00	LOCK WASHER	RONDELLA SPACCATA	RONDELLE
24	650029 03	650029 03	METAL CLIP	DADO IN GABBIA	ECROU
25	670006 01	670006 01	DRIER	FILTRO DEUMIDIFICATORE	FILTRE DESHYDRATEUR
26	620306 32 620306 28	620306 32 620306 28	HOT GAS VALVE BODY-SCEM HOT GAS VALVE COIL-SCEM	CORPO VALVOLA GAS CALDO-SCEM BOBINA VALVOLA GAS CALDO-SCEM	CORP VANNE GAZ CHAUD-S BOBINE VANNE GAZ CHAUD-
27	784348 03 784349 02 784347 02	784345 02 784346 02 784347 02	EVAPORATOR ASSY - LARGE EVAPORATOR ASSY - MEDIUM EVAPORATOR ASSY - SMALL	ASSIEME EVAPORATORE - GRANDI ASSIEME EVAPORATORE - MEDI ASSIEME EVAPORATORE - PICCOLI	ENSAMBLE ÉVAPORATEUR - ENSAMBLE ÉVAPORATEUR - ENSAMBLE ÉVAPORATEUR -
28	785084 01	785082 05	SUCTION LINE/ACCUMULATOR	ACCUMUL. E LINEA ASPIRAZIONE	ENS. ASPIRATION/ACCUMUL.

Зип Ощепит

vsezip.ru

+7(812)987-08-81



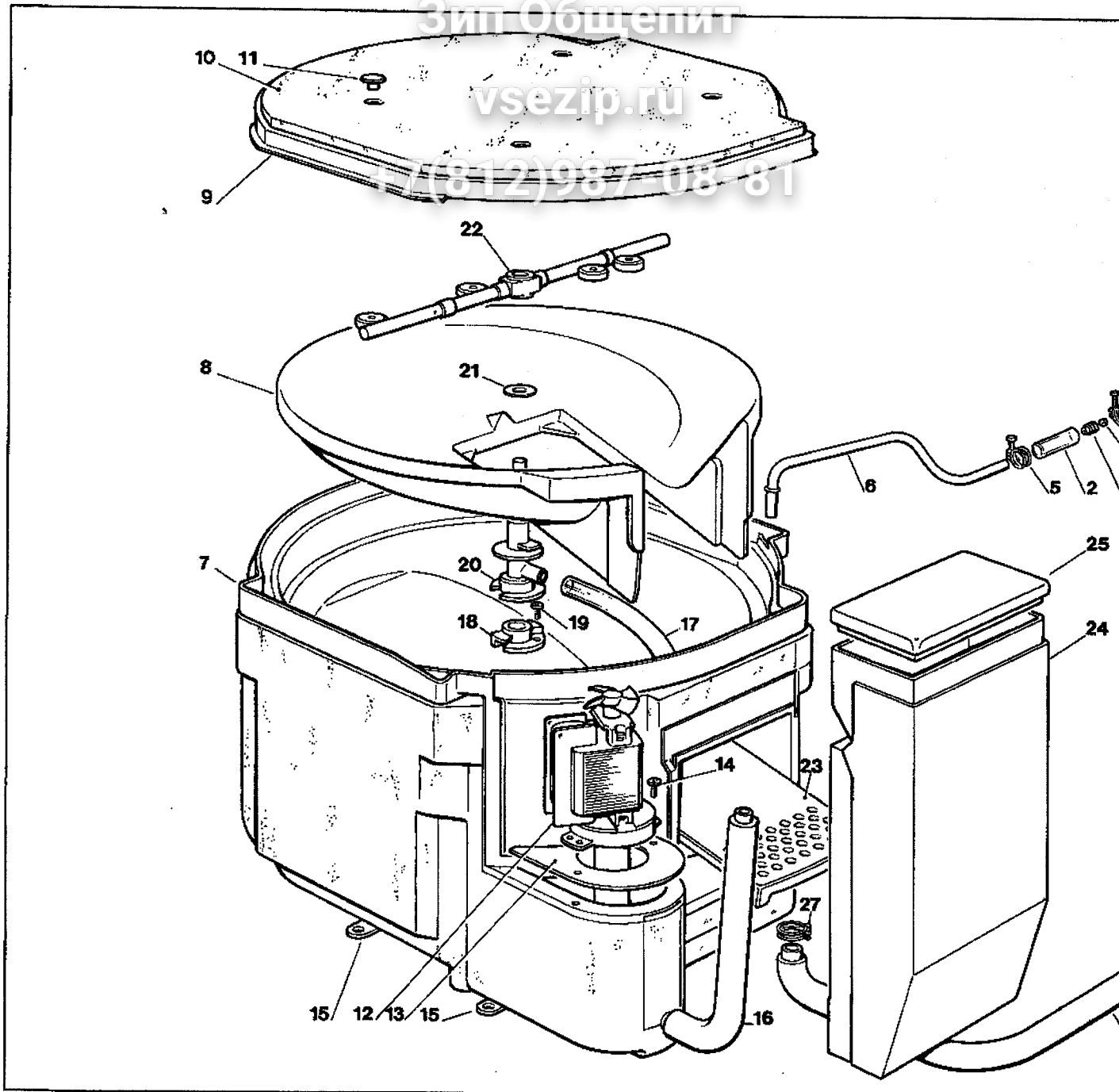
MC 15 - 45 - REFRIGERANT SYSTEM WATER COOLED - SISTEMA REFRIGERANTE R  
CIRCUIT FRIGORIFICO REFRIG. PAR EAU - WASSERGEKÜHLT GEFRIERSY

ITEM NO POS NO REF. NO	PART NO - CODICE REFERENCE - STUECK NR		DESCRIPTION	DESCRIZIONE	DESIGNATION
	MC 15	MC 45			
1	670076 11 670076 13	670088 09 670088 08	COMPRESSOR ASSY 220 V COMPRESSOR ASSY 380 V	ASSIEME COMPRESSORE 220 V ASSIEME COMPRESSORE 380 V	ENSAMBLE COMPRESSEUR ENSAMBLE COMPRESSEUR
2	420043 00	420043 00	SCREW	VITE	VIS
3	440088 00	440088 00	WASHER	RONDELLA	RONDELLE
4	650407 01	650407 01	METAL CLIP	DADO IN GABBIA	ECROU
5	620058 47 620058 49	***** *****	PROTECTOR 220 V PROTECTOR 380 V	PROTETTORE 220 V PROTETTORE 380 V	PROTECTEUR 220 V PROTECTEUR 380 V
6	420000 22	420000 22	SCREW	VITE	VIS
7	440026 00	440026 00	WASHER	RONDELLA	RONDELLE
8	620167 25	620167 24	RUN CAPACITOR 220 V	CAPACITA DI MARCIA 220 V	CAPACITÉ PERMANENCE 220 V
9	620168 13	620168 18	START RELAY 220 V	RELE DI AVVIAMENTO 220 V	RELAIS DE DEMARRAGE 220 V
10	620167 22	620167 26	START CAPACITOR 220 V	CAPACITA D'AVVIAMENTO 220 V	CAPACITÉ DE DEMARRAGE 220 V
11	650029 03	650029 03	METAL CLIP	DADO IN GABBIA	ECROU
12	650109 00	650109 00	VALVE BODY	CORPO VALVOLA	CORPS DE VANNE
13	670012 00	670012 00	VALVE PISTON	PISTONCINO VALVOLA	PISTON
14	650106 00	650106 00	VALVE CAP	CAPPUCCIO VALVOLA	CAPUCHON DE VANNE
15	620331 01	620331 02	WATER COOLED CONDENSER	CONDENSATORE AD ACQUA	CONDENSEUR A EAU
16	420010 00	420010 00	SCREW	VITE	VIS
17	650029 03	650029 03	METAL CLIP	DADO IN GABBIA	ECROU
18	733204 00	733204 00	WATER INLET FITTING	RACCORDO INGRESSO ACQUA	RACCORD ARRIVÉE D'EAU
19	400031 01	400031 01	FIBER WASHER	RONDELLA IN FIBRA	RONDELLE EN FIBRE
20	650575 00	650575 00	REGULATING VALVE INLET FITTING	RACCORDO INGR. VALVOLA PRESS.	RACCORD ENTRÉE VALVE P
21	620111 00	620111 00	WATER REGULATING VALVE	VALVOLA PRESSOSTATICA	VANNE A EAU PRESSOSTAT
22	640076 15	640076 15	FIBER WASHER	RONDELLA IN FIBRA	RONDELLE EN FIBRE
23	650623 00	650623 00	OUTLET VALVE FITTING	RACCORDO USCITA VALVOLA PRESS	RACCORD SORTIE VALVE P
24	281900 03	281900 03	PLASTIC TUBE-PER METER	TUBO IN PLASTICA-PER METRO	TUYAU EN PLASTIQUE-POU
25	650499 00	650499 00	PLASTIC CLAMP	FASCETTA IN PLASTICA	COLLIER EN PLASTIQUE
26	733174 00	733174 00	WATER DRAIN FITTING	RACCORDO SCARICO ACQUA	RACCORD ÉVACUATION EA
27	400076 00	400076 00	NUT	DADO	ECROU
28	670006 01	670006 01	DRIER	FILTRO DEUMIDIFICATORE	FILTRE DESHYDRATEUR
29	620306 32 620306 28	620306 32 620306 28	HOT GAS VALVE BODY-SCEM HOT GAS VALVE COIL-SCEM	CORPO VALVOLA GAS CALDO-SCEM BOBINA VALVOLA GAS CALDO-SCEM	CORP VANNE GAZ CHAUD-S BOBINE VANNE GAZ CHAUD
30	784345 02 784349 02 784347 02	784345 02 784346 02 784347 02	EVAPORATOR ASSY - LARGE EVAPORATOR ASSY - MEDIUM EVAPORATOR ASSY - SMALL	ASSIEME EVAPORATORE - GROSSI ASSIEME EVAPORATORE - MEDI ASSIEME EVAPORATORE - PICCOLI	ENSAMBLE ÉVAPORATEUR ENSAMBLE ÉVAPORATEUR ENSAMBLE ÉVAPORATEUR
31	785084 01	785082 05	SUCTION LINE/ACCUMULATOR	ACCUMUL. E LINEA ASPIRAZIONE	ENS. ASPIRATION/ACCUMUL

Зип-Общепит

vsezip.ru

7(812)987-08-81





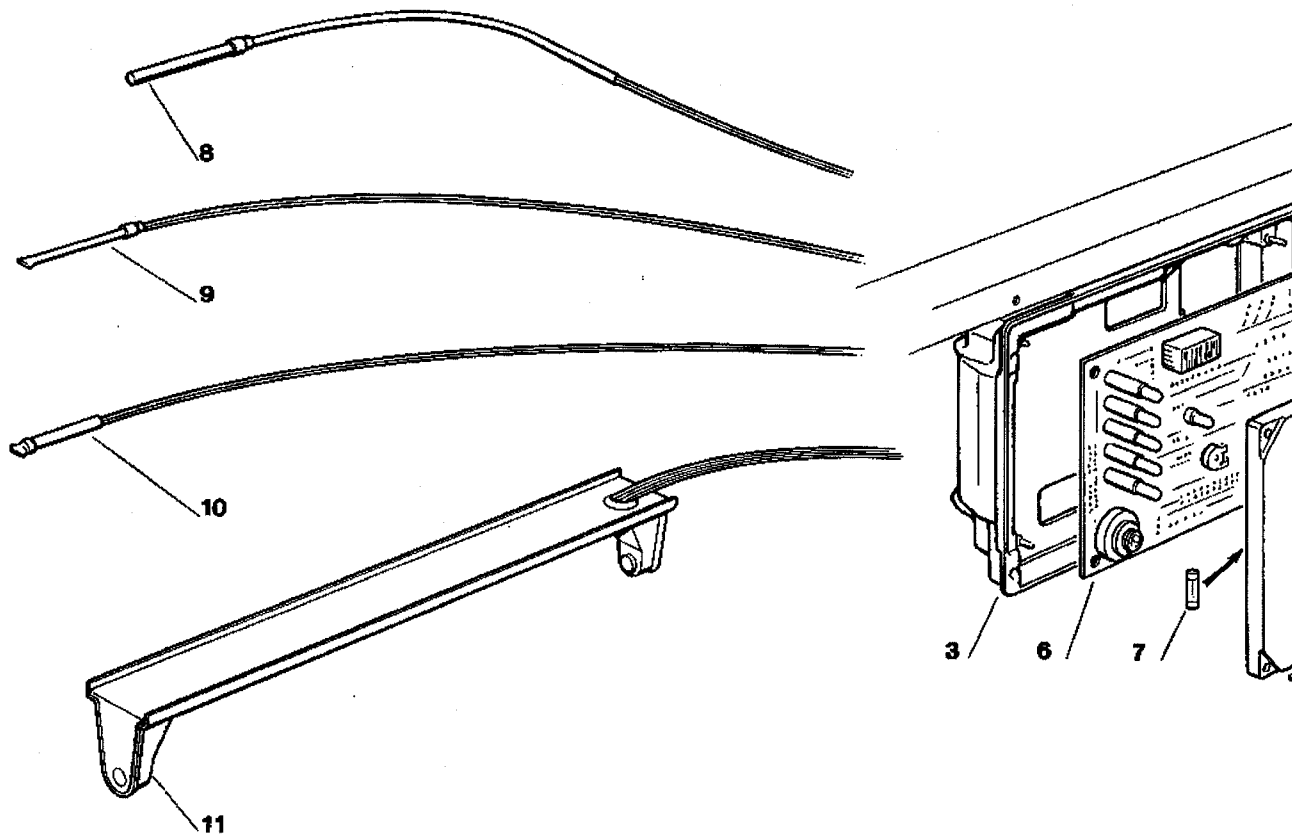
MC 15 - WATER SYSTEM - CIRCUITO IDRAULICO - CIRCUIT HYDRAULIQUE - WAS

TEM NO POS NO REP. NO REF. NO	PART NO CODICE REFERENCE STUECK NR	DESCRIPTION	DESCRIZIONE	DESIGNATION
1	650105 00	WATER INLET VALVE	VALVOLA INGRESSO ACQUA	VANNE ARRIVÉE D'EAU
2	281900 04	PLASTIC TUBE PER METER	TUBO IN PLASTICA PER 1 METRO	TUYAU EN PLASTIQUE-POU
3	640022 00	FLOW CONTROL	CONTROLLO DI FLUSSO	CONTROLE DE DEBIT
4	733123 00	FLOW CONTROL BODY	CORPO CONTROLLO DI FLUSSO	CORPS CONTRÔLE DE DEBIT
5	460017 00	CLAMP	FASCETTA	COLLIER
6	784317 08	WATER INLET TUBE - COPPER	TUBO RAME INGRESSO ACQUA	TUYAU EN CUIVRE ARRIVÉE
7	784344 00	SUMP & FREEZING CHAMBER	INVOLUCRO EVAPORATORE	ENCEINTE ÉVAPORATEUR
8	660487 00	INNER BOTTOM & CHUTE	FONDO & SCIVOLO MOBILE	PLAQUE DE FOND ET CHUTE
9	660491 00	EVAPORATOR COVER	COPERCHIO EVAPORATORE	COUVERCLE ÉVAPORATEUR
10	650538 00	INSULATION	ISOLAMENTO	ISOLATION
11	660419 00	PLASTIC PLUG	TAPPO IN PLASTICA	BOUCHON EN PLASTIQUE
12	670002 12	WATER PUMP ASSY	ASSIEME POMPA	ENSSEMBLE POMPE A EAU
13	723132 01	METAL BRACKET	SUPPORTO IN METALLO	PLAQUE SUPPORT POMPE
14	470026 00	SCREW	VITE	VIS
15	660489 00	EVAPORATOR BRACKET	SUPPORTO EVAPORATORE	SUPPORT ÉVAPORATEUR
16	610148 02	DRAIN TUBE	TUBO DI SCARICO	TUYAU ÉVACUATION
17	743113 02	PLASTIC TUBE	TUBO IN PLASTICA	TUYAU EN PLASTIQUE
18	660483 00	JET BEARING FLANGE	FLANGIA RACCORDO CENTRALE	BRIDE AXE PALIER DE RAMP
19	420014 05	SCREW	VITE	VIS
20	660475 00	JET BEARING	RACCORDO CENTRALE	AXE PALIER DE RAMPE
21	440013 06	THRUST WASHER	RONDELLA DI RASAMENTO	RONDELLE
22	793127 00	SPRAY BAR	BARRA SPRUZZANTE	RAMPE PULVERISATION EAU
23	660488 00	REMOVABLE INNER BOTTOM	SCIVOLO INTERNO AMOVIBILE	PLAQUE CHUTE DEMONTABL
24	660477 00	ICE CHUTE	CONDOTTO SCARICO CUBETTI	GOULOTTE A GLACONS
25	660477 02	ICE CHUTE COVER	COPERCHIO COND. SCAR. CUBETTI	CAPOT DE GOULOTTE
26	610167 00	WATER DRAIN TUBE	TUBO SCARICO ACQUA	TUYAU ÉVACUATION
27	460004 00	CLAMP	FASCETTA	COLLIER
28	660224 00	WATER DRAIN FITTING	RACCORDO SCARICO ACQUA	RACCORD ÉVACUATION EAU
29	660535 00	PLASTIC RING NUT	GHIERA IN PLASTICA	COLLIER DE SERRAGE EN PL

Зип Общепит

vsezip.ru

+7(812)987-08-81



**MC 15 - MC45 - P.C. BOARD AND SENSOR ASSY - SCHEDA ELETTRONICA  
ENS. CARTE ELECTRIQUE ET DETECTEURS - ELEKTRONISCHE KARTE UND TEMPERAT**

ITEM NO POS NO REP. NO REF. NO	PART NO CODICE REFERENCE STUECK NR	DESCRIPTION	DESCRIZIONE	DESIGNATION
1	725025 00	METAL BRACKET	SUPPORTO IN METALLO	SUPPORT METALLIQUE
2	470088 00	SCREW	VITE	VIS
3	660546 00	CONTROL BOX	SCATOLA ELETTRICA	BOITE ELECTRIQUE
4	470000 07	SCREW	VITE	VIS
5	660547 00	CONTROL BOX COVER	COPERCHIO SCATOLA ELETTRICA	COUVERCLE BOITE DE COM
6	620403 01	P.C. BOARD ASSY	ASSIEME SCHEDA ELETTRONICA	ENSAMBLE CARTE ELECTRI
7	630015 09	FUSE	FUSIBILE	FUSIBLE
8	620404 00	EVAPORATOR TEMP. SENSOR	SENSORE TEMP. EVAPORATORE	CAPTEUR TEMP. EVAPORA
9	620404 01	CONDENSER TEMP. SENSOR	SENSORE TEMP. CONDENSATORE	CAPTEUR TEMP. CONDENS
10	620404 02	AMBIENT TEMP. SENSOR	SENSORE TEMP. AMBIENTE	CAPTEUR TEMP. AMBIANCE
11	783167 01	ICE LEVEL CONTROL ASSY	ASS. CONTR. LIVELLO GHIACCIO	ENS. DETECTEUR NIVEAU G
12	630124 05	CONTACTOR	TELERUTTORE	CONTACTEUR

COMPRESSOR CHART - TABELLA COMPRESSORI - TABLEAU COMPRESSEUR - KOMPRESSOR

vsezip.ru

MODEL MODELLO MODELE MODELL	VOLTS TENSIONE TENSION SPANNUNG	COMPRESSOR MODEL MOD. COMPRESSORE TYPE COMPRESSEUR KOMPRESSORTYP	COMPRESSOR COMPRESSORE COMPRESSEUR KOMPRESSOR	RELAY RELÉ RELAIS RELAI	PROTECTOR PROTETTORE PROTECTEUR SCHUTZGERAT	START CAPACITOR CAPACITA D'AVV. CAPACITÉ DE DEMARRAGE START KONDENSATOR
MC 15	115/60/1	U.H. AJ 5515 E	670076 12	620168 11	620058 48	620167 22
MC 15 MC 45	230/60/1 230/60/1	U.H. AJ 5515 E U.H. AH 5524 E	670076 12 670088 10	620168 11 620168 20	620058 48 *****	620167 22 620167 30
MC 15 MC 45	220/50/1 220/50/1	U.H. AJ 5515 E U.H. AH 5524 E	670076 11 670088 09	620168 13 620168 18	620058 47 *****	620167 22 620167 26
MC 15 MC 45	380/50/3 380/50/3	U.H. AJ 5515 E U.H. TAH 5524 E	670076 13 670088 08	***** *****	620058 49 *****	***** *****

ELECTRIC COMPONENTS CHART - TABELLA COMPONENTI ELETTRICI - TABLEAU COMPOSANTS ELECTRIQUES

MODEL MODELLO MODELE MODELL	VOLTS TENSIONE TENSION SPANNUNG	CONTACTOR TELERUTTORE CONTACTEUR SCHALTSCHÜTZ	WATER PUMP POMPA POMPE A EAU WASSER PUMPE	FAN MOTOR ONLY MOTORE VENTILATORE MOTEUR VENTILATEUR LUFTER MOTOR	UPPER FAN MOTOR ONLY MOTORE VENTILATORE SUP MOTEUR VENTILATEUR SUP OBERER LUFTER MOTOR	WATER INLET VALVE VALV. INGR. ACQUA V.E.M. ARRIVÉE EAU WASSEREIN. VENTIL
MC 15	115/60/1	630124 05	670002 14	620233 02	*****	650105 00
MC 15 MC 45	230/60/1 230/60/1	630124 05 630124 05	670002 14 670002 14	620233 02 620300 09	***** 620413 00	650105 00 650105 00
MC 15 MC 45	220/50/1 220/50/1	630124 05 630124 05	670002 12 670002 12	620233 00 620300 06	***** 620413 00	650105 00 650105 00
MC 15 MC 45	380/50/3 380/50/3	630124 05 630124 05	670002 12 670002 12	620233 00 620300 06	***** 620413 00	650105 00 650105 00