



Зип Общепит

vsezip.ru

+7(812)987-08-81

**Geschirrspülmaschinen**

**Warewashers**

**Machines à laver la vaisselle**



**CS / CN / CP**

**ERSATZTEILE  
SPARE PARTS  
PIECES DETACHEES**

Ab Serien-Nummer:  
Starting from Serial No.:  
A partir du no. de série:

CN/CP Protronic - **8645 1001**  
CN Smartronic - **8646 6001**  
CS Easytronic - **8643 6001**

REV. 28.04.2009

Die in diesem Katalog aufgeführten Elektroteile beziehen sich auf folgende Anschluss-Spannungen:

Electrical components listed in this catalogue are rated for the following supply voltages:

Les composants électriques énumérés dans ce catalogue sont prévus pour les tensions suivantes:

**400V / 50Hz / 3 / PE**

Bei nicht aufgeführten Anschluss-Spannungen bitte den, der Maschine beigelegten Schaltplan beachten.

For other voltages, refer to the wiring diagram shipped with the machine.

Pour d'autres tensions, se référer au schéma électrique envoyé avec la machine.

	<b>ERKLÄRUNG</b>	<b>LEGEND</b>	<b>LEGENDE</b>
<b>1</b>	Verschleißteile	Wearing parts	Pièces d'usure
<b>1</b>	Betriebswichtige Ersatzteile	Recommended spare parts	Pièces de rechange pour maintenance
<b>(L / R)</b>	Laufrichtung links / rechts	Operation direction left / right	Sens de marche gauche / droite
<b>(R / L)</b>	Laufrichtung rechts / links	Operation direction right / left	Sens de marche droite / gauche
<b>BSP</b>	Besteckspurbreite	Cutlery track width	Largeur de la piste des couverts

<b>Inhalt</b>	<b>Kapitel</b>
Hauben .....	01
E Vorwaschung .....	02
L Vorwaschung .....	03
S/A Vorwaschung .....	04
C Vorwaschung .....	05
AR/AN Waschung .....	06
ND Modul .....	07
Spülmodul .....	08
Trennmodul .....	09
Waschsystem .....	10
Erhitzer .....	11
Spülsystem .....	12
Füllsystem .....	13
Wärmerückgewinnung .....	14
Wärmepumpe .....	15
Transportsystem .....	16
Türen und Verkleidungen .....	17
Trocknung – gerade .....	18
Transportkurven .....	19
Dampfverrohrung .....	20
CAF Eckeinschub .....	21
Tischendschalter .....	22
Vorhänge .....	23

<b>Content</b>	<b>Chapter</b>
Hoods .....	01
E prewash .....	02
L prewash .....	03
S/A prewash .....	04
C prewash .....	05
AR/AN wash .....	06
ND Module .....	07
Rinse module .....	08
Disconnecting module .....	09
Wash system .....	10
Booster .....	11
Rinse system .....	12
Filling system .....	13
Heat recovery .....	14
Heat pump .....	15
Transport system .....	16
Doors and panels .....	17
Dryer – straight .....	18
Transport curves .....	19
Steam piping .....	20
CAF corner guiding .....	21
Table end switch .....	22
Curtains .....	23

<b>Sommaire</b>	<b>Chapitre</b>
Capots .....	01
E pré lavage .....	02
L pré lavage .....	03
S/A pré lavage .....	04
C pré lavage .....	05
AR/AN lavage .....	06
ND Module .....	07
Module de rinçage .....	08
Module de passage .....	09
Système de lavage .....	10
Chaudière .....	11
Système de rinçage .....	12
Système de remplissage .....	13
Récupération de la chaleur .....	14
Pompe à chaleur .....	15
Système de convoyage .....	16
Portes et panneaux .....	17
Séchage – droit .....	18
Convoyage d'angle.....	19
Tuyauterie vapeur.....	20
CAF guidage sur angle.....	21
Interrupteur fin-de-course de table .....	22
Rideaux .....	23

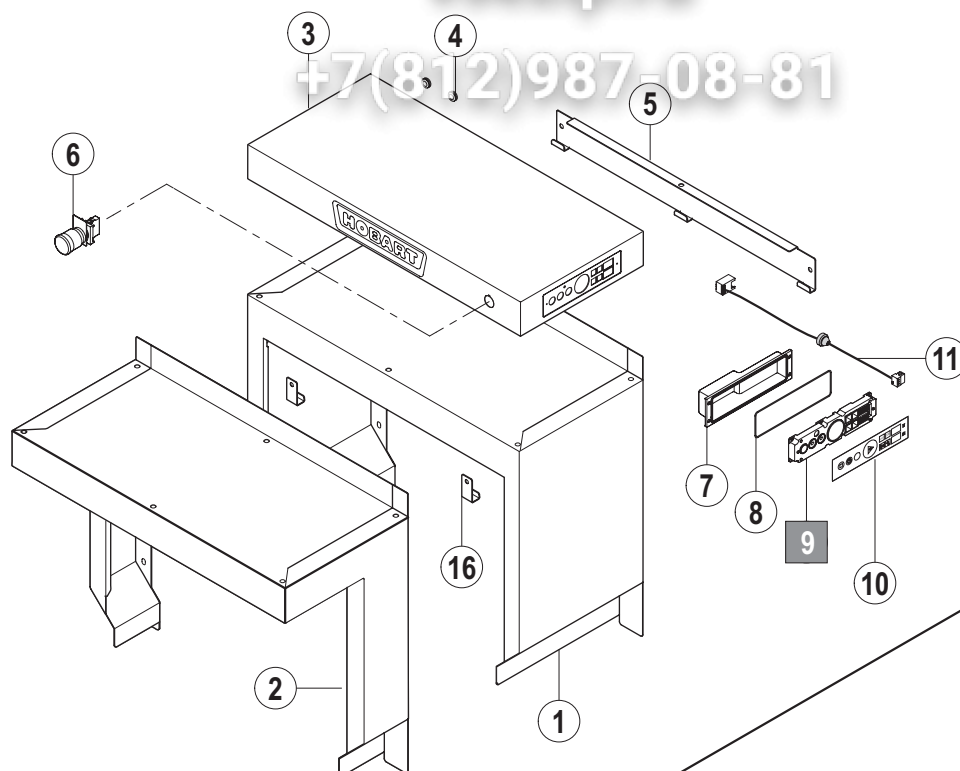
**Зип Общепит**  
**vsezip.ru**  
**+7(812)987-08-81**

**CS / CN / CP**

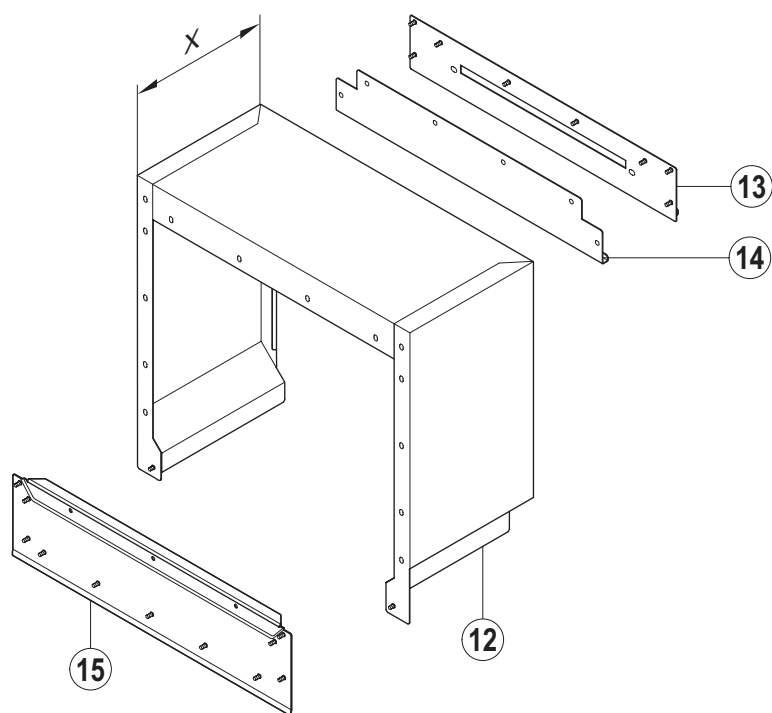
**Hauben**

**Hoods**

**Capots**



Zulauf  
 Loading section  
 Zone d'entrée



Auslauf  
 Unload section  
 Zone de déchargement



Laufrichtung  
Working direction  
Sens de marche

Maschinen-Grundtyp  
Basic machine  
Machine de base

Länge  
Length  
Longueur

Автоматический  
vsezip.ru  
+7(812)987-08-81

Pos.	A	B			X [mm]	Bemerkung / Remarks / Remarques
		CS	CN	CP		
01		---	01-291402-001	---		
02		---	01-291502-001	---		
03	L/R	---	01-291406-001	---		
	R/L	---	01-291406-002	---		
04		---	00-227748-001	---		
05		---	01-291538-002	---		
06		01-291707-001	=	=		
07		---	00-883984-001	---		
08		---	00-883805-001	---		
09		---	00-897540-002	---		
10		---	01-291845-001	---		
11		---	01-249757-001	---		
12		---	01-291404-001	=	300	
		01-291404-003	01-291404-002	01-291404-002	110	
13		01-291434-001	=	=		
14		01-291538-001	=	=		
15		01-291429-001	=	=		
16		---	01-291508-001	---		

**Зип Общепит**  
**vsezip.ru**  
**+7(812)987-08-81**



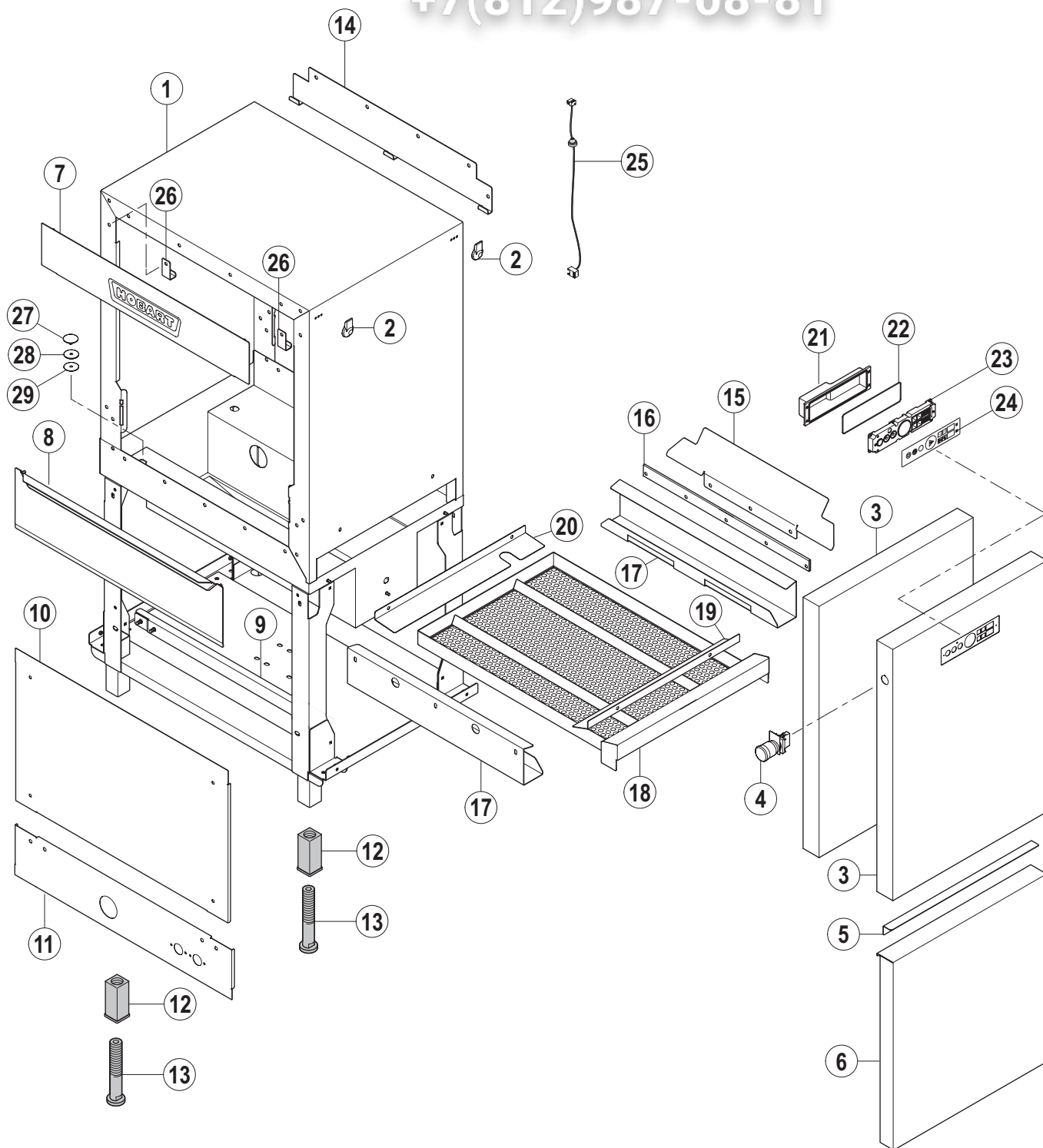
**Зип Общепит**  
**vsezip.ru**  
**+7(812)987-08-81**

**CS / CN / CP**

**E Vorwaschung**

**E prewash**

**E prélavage**



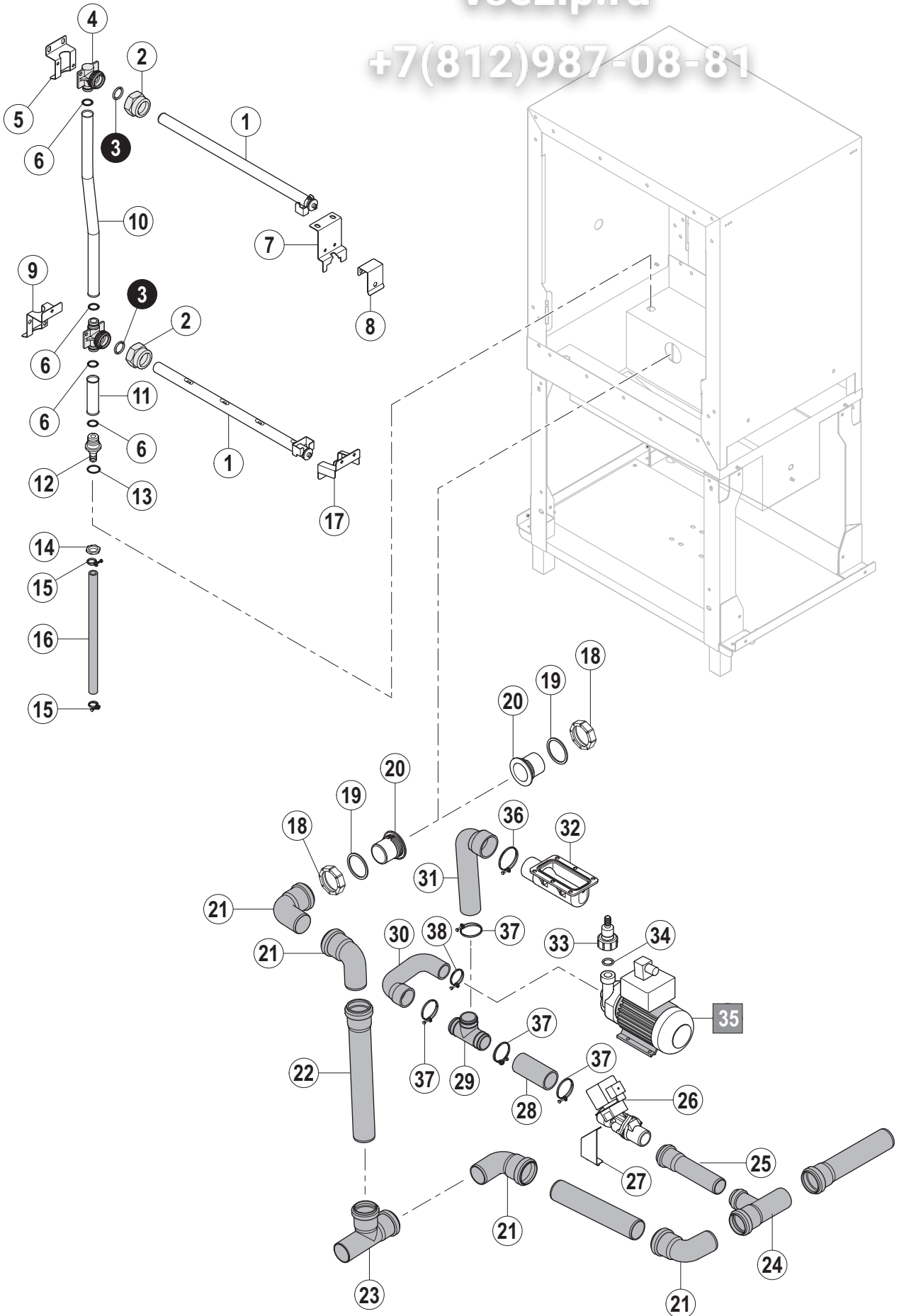


Laufrichtung  
Working direction  
Sens de marche

Maschinen-Grundtyp  
Basic machine  
Machine de base

Länge  
Length  
Longueur

Pos.	A	B			X [mm]	Bemerkung / Remarks / Remarques
		CS	CN	CP		
01	L/R	01-291558-003	01-291558-001	01-291558-001		
	R/L	01-291558-004	01-291558-002	01-291558-002		
02		00-325037-001	00-325037-001	00-325037-001		
03	L/R	01-291488-006	01-291488-001	01-291488-005		
	R/L	01-291488-006	01-291488-002	01-291488-005		
04		01-291707-001	=	=		
05		00-896335-001	=	=		
06		01-291785-001	=	=		
07		01-291497-001	=	=		
08		01-291429-001	=	=		
09		01-291432-001	=	=		
10		01-291409-002	=	=		
11	L/R	01-291408-001	=	=		
	R/L	01-291408-002	=	=		
12		00-325008-001	=	=		
13		00-325007-001	=	=		
14		01-291538-001	=	=		
15		00-896430-003	=	=		
16		00-325155-003	=	=		
17		01-291783-001	=	=		
18		01-291782-001	=	=		
19		01-291784-001	=	=		
20	L/R	01-291784-002	=	=		
	R/L	01-291784-003	=	=		
21		---	00-883984-001	---		
22		---	00-883805-001	---		
23		---	00-897540-002	---		
24		---	01-291845-001	---		
25		---	01-249757-001	---		
26		01-291508-001	=	=		
27		00-869137-003	=	=		
28		00-168611-024	=	=		
29		00-696943-030	=	=		



vsezip.ru

+7(812)987-08-81

Pos.	A	B			X [mm]	Bemerkung / Remarks / Remarques
		CS	CN	CP		
01		01-291307-001	=			
02		00-885572-001	=			
03		00-884505-002	=			
04		01-245318-002	=			
05		01-291337-001	=			
06		01-245340-001	=			
07		01-291495-001	=			
08		01-245062-001	=			
09		01-291341-001	=			
10		01-245323-003	=			
11		01-291297-003	=			
12		01-245329-001	=			
13		01-245340-002	=			
14		00-172739-009	=			
15		00-323945-022	=			
16		01-245571-014	=			
17		01-291494-001	=			
18		01-245165-001	=			
19		01-245460-001	=			
20		01-245112-001	=			
21		00-230080-001	=			
22		00-229679-015	=			
23		00-230079-001	=			
24		00-323593-002	=			
25		00-325706-011	=			
26		00-774683-...	=			siehe Schaltplan / see wiring diagram / voir schéma de câblage
27		01-291686-001	=			
28		01-291525-002	=			
29		01-291562-001	=			
30		01-291691-001	=			
31		01-242108-002	=			
32		00-325529-001	=			
33		00-895735-001	=			
34		00-067500-072	=			
35		00-781237-...	=			siehe Schaltplan / see wiring diagram / voir schéma de câblage
36		00-325945-064	=			
37		00-325945-053	=			
38		00-325945-043	=			

**Зип Общепит**  
**vsezip.ru**  
**+7(812)987-08-81**

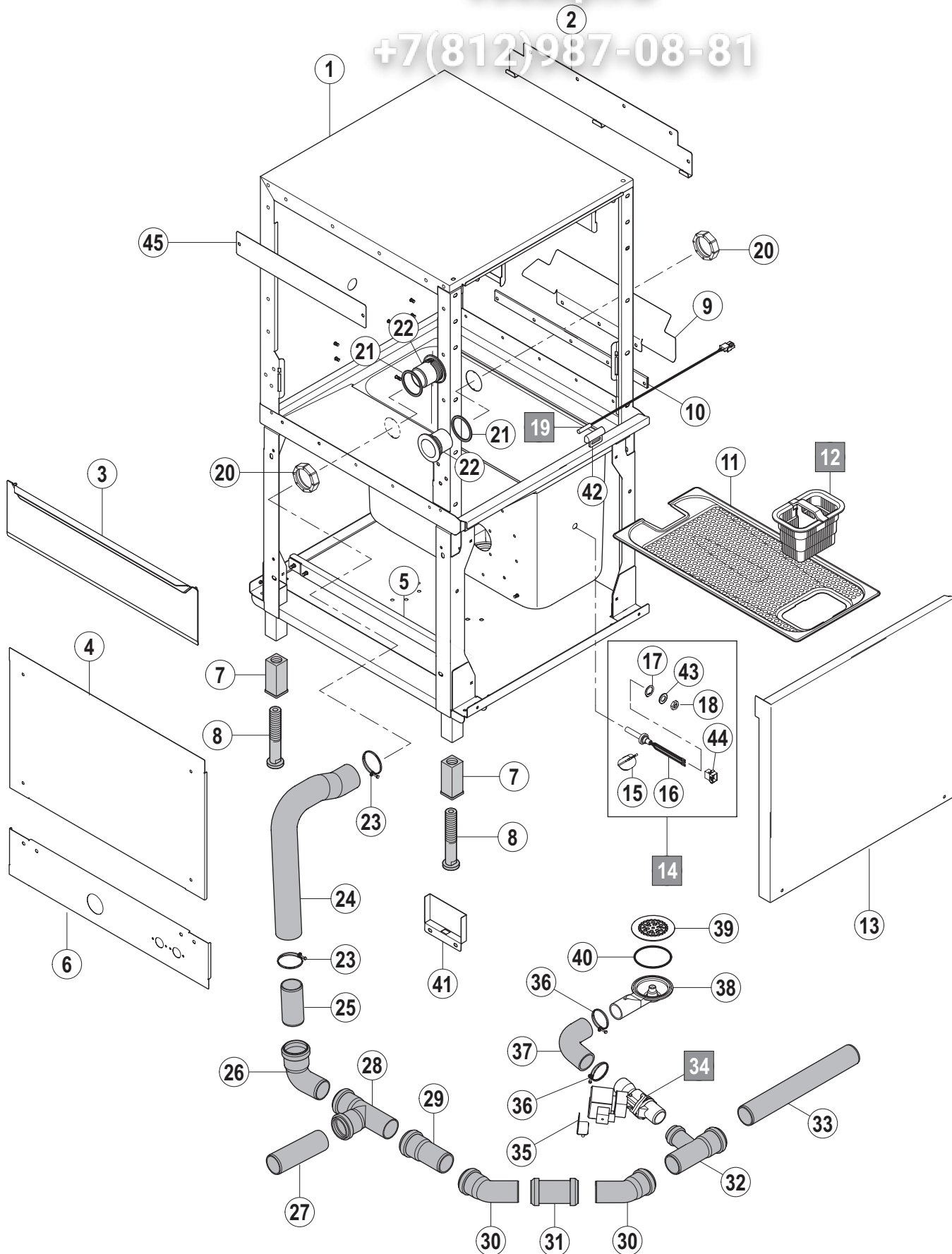
**Зип Общепит**  
**vsezip.ru**  
**+7(812)987-08-81**

**CS / CN / CP**

**L Vorwaschung**

**L prewash**

**L prélavage**





vsezip.ru

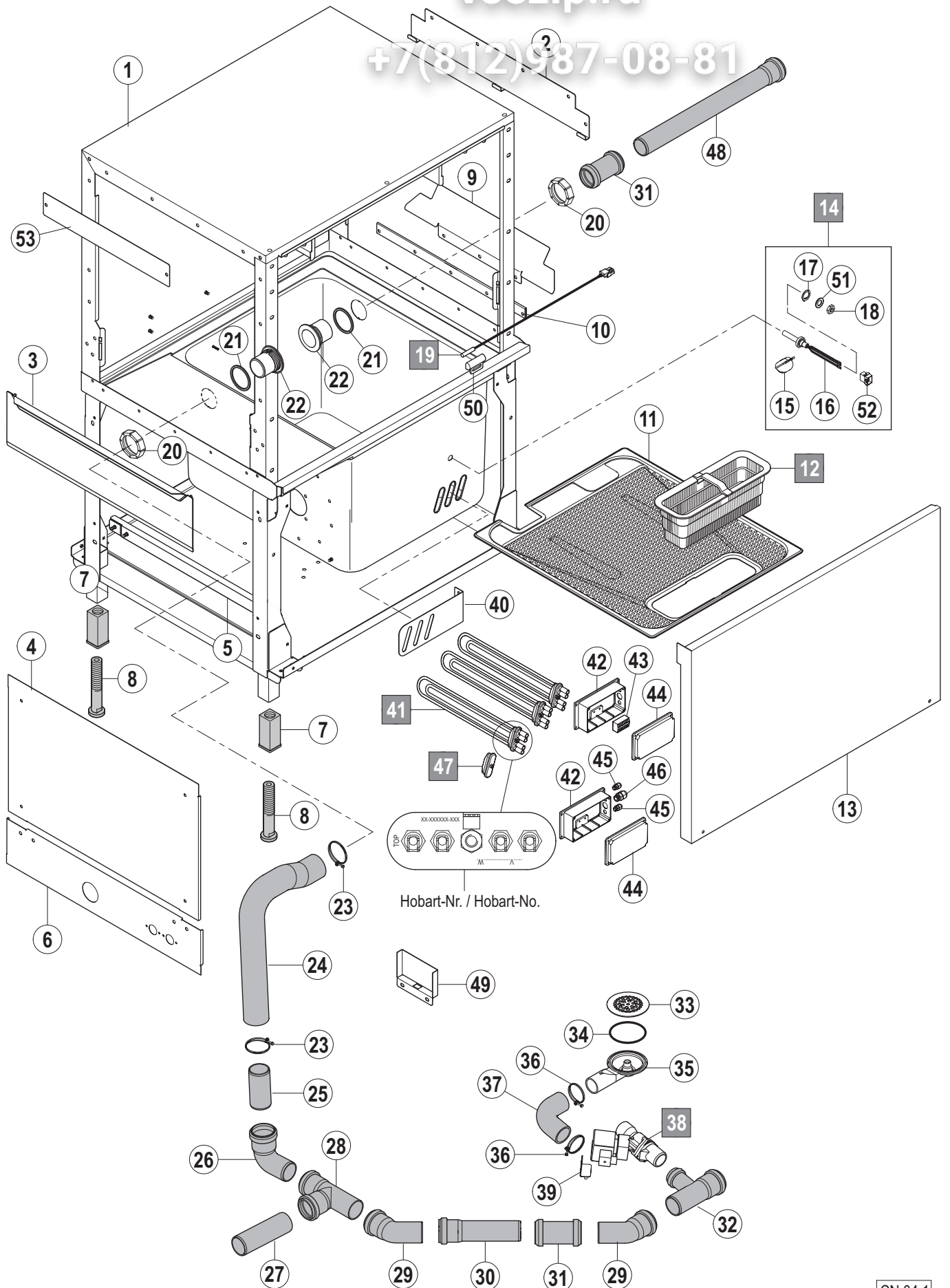
+7(812)987-08-81

Pos.	A	B			X [mm]	Bemerkung / Remarks / Remarques
		CS	CN	CP		
01	L/R	---	01-291705-002	=		
	R/L	---	01-291705-001	=		
02		---	01-291538-001	=		
03		---	01-291429-001	=		
04	L/R	---	01-291409-001	=		
	R/L	---	01-291409-002	=		
05		---	01-291432-001	=		
06	L/R	---	01-291408-001	=		
	R/L	---	01-291408-002	=		
07		---	00-325008-001	=		
08		---	00-325007-001	=		
09		---	00-896430-003	=		
10		---	00-325155-003	=		
11		---	01-291289-001	=		
12		---	01-291515-001	=		
13	L/R	---	01-291407-006	=		
	R/L	---	01-291407-007	=		
14		---	01-245621-002	=		
15		---	00-122674-000	=		
16		---	01-296000-001	=		
17		---	00-112467-000	=		
18		---	00-602476-000	=		
19		---	01-240288-001	=		
20		---	01-245165-001	=		
21		---	01-245460-001	=		
22		---	01-245112-001	=		
23		---	00-323945-064	=		
24		---	01-291519-001	=		
25		---	00-325737-007	=		
26		---	00-230080-001	=		
27		---	00-325737-004	=		
28		---	00-230079-001	=		
29		---	00-229679-013	=		
30		---	00-377340-001	=		
31		---	00-229680-001	=		
32		---	00-323593-002	=		
33		---	00-325737-001	=		
34		---	00-774683-...	=		siehe Schaltplan / see wiring diagram / voir schéma de câblage
35		---	01-291684-002	=		
36		---	00-323945-053	=		
37		---	01-291527-002	=		
38		---	01-245109-001	=		
39		---	01-245107-001	=		
40		---	01-245340-004	=		
41		---	01-291982-001	=		
42		---	00-883838-001	=		
43		---	00-168611-021	=		
44		---	00-174994-013	---		
45		---	01-291197-004	---		

**Зип Общепит**  
**vsezip.ru**  
**+7(812)987-08-81**

**Зип Общепит**  
**vsezip.ru**  
**+7(812)987-08-81**

**CS / CN / CP**  
**S/A Vorwaschung**  
**S/A prewash**  
**S/A prélavage**



Hobart-Nr. / Hobart-No.

Pos.	A	B			X [mm]	Bemerkung / Remarks / Remarques
		CS	CN	CP		
01	L/R	---	01-291706-001	=		
	R/L	---	01-291706-002	=		
02		---	01-291538-001	=		
03		---	01-291429-001	=		
04	L/R	---	01-291409-001	=		
	R/L	---	01-291409-002	=		
05		---	01-291432-001	=		
06	L/R	---	01-291408-001	=		
	R/L	---	01-291408-002	=		
07		---	00-325008-001	=		
08		---	00-325007-001	=		
09		---	00-896430-003	=		
10		---	00-325155-003	=		
11	L/R	---	01-245047-006	=		
	R/L	---	01-245047-005	=		
12		---	01-245170-010	=		
13	L/R	---	01-291407-004	=		nur / only / seulement <b>S-Modul</b>
	R/L	---	01-291407-005	=		nur / only / seulement <b>S-Modul</b>
		---	01-291407-011	=		nur / only / seulement <b>A-Modul</b>
14		---	01-245621-002	=		
15		---	00-122674-000	=		
16		---	01-296000-001	=		
17		---	00-112467-000	=		
18		---	00-602476-000	=		
19		---	01-240288-001	=		
20		---	01-245165-001	=		
21		---	01-245460-001	=		
22		---	01-245112-001	=		
23		---	00-323945-064	=		
24		---	01-291519-001	=		
25		---	00-325737-007	=		
26		---	00-230080-001	=		
27		---	00-325737-004	=		
28		---	00-230079-001	=		
29		---	00-377340-001	=		
30		---	00-229679-011	=		
31		---	00-229680-001	=		
32		---	00-323593-002	=		
33		---	01-245107-001	=		
34		---	01-245340-004	=		
35		---	01-245109-001	=		
36		---	00-325945-053	=		
37		---	01-291527-002	=		
38		---	00-774683-...	=		siehe Schaltplan / see wiring diagram / voir schéma de câblage
39		---	01-291684-002	=		
40		---	01-245372-002	=		
41		---	00-324637-...	=	siehe Schaltplan / see wiring diagram / voir schéma de câblage	
42		---	01-245373-001	=		
43		---	00-325025-000	=		
44		---	01-245374-001	=		

vsezip.ru

+7(812)987-08-81

Pos.	A	B			X [mm]	Bemerkung / Remarks / Remarques
		CS	CN	CP		
45		---	00-695661-001	=		
46		---	00-695661-003	=		
47		---	00-774808-001	=		
48		---	00-229679-025	=		
49		---	01-291982-001	=		
50		---	00-883838-001	=		
51		---	00-168611-021	=		
52		---	00-174994-013	---		
53		---	01-291197-004	---		

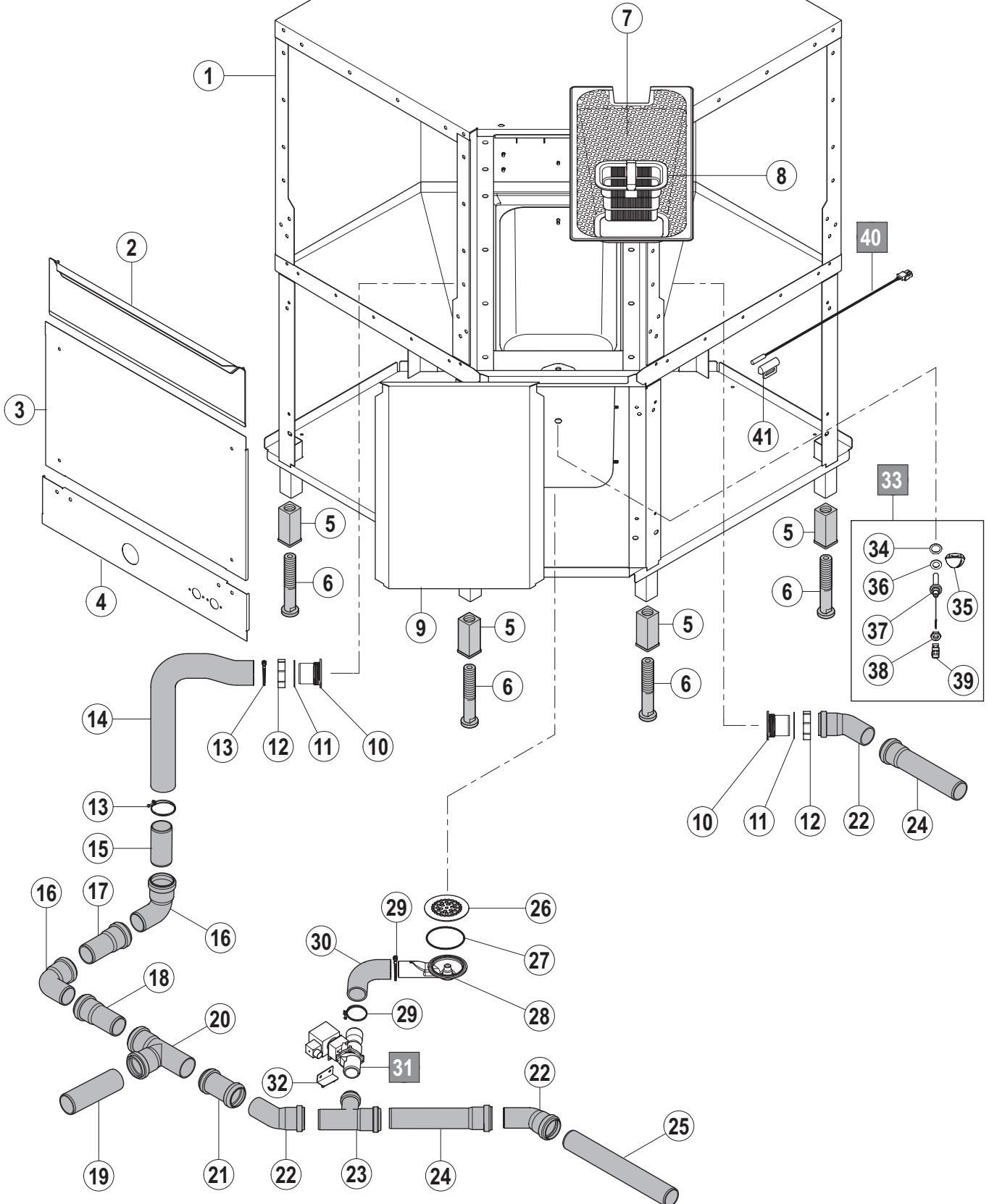
**Зип Общепит**  
**vsezip.ru**  
**+7(812)987-08-81**

**CS / CN / CP**

**C Vorwaschung**

**C prewash**

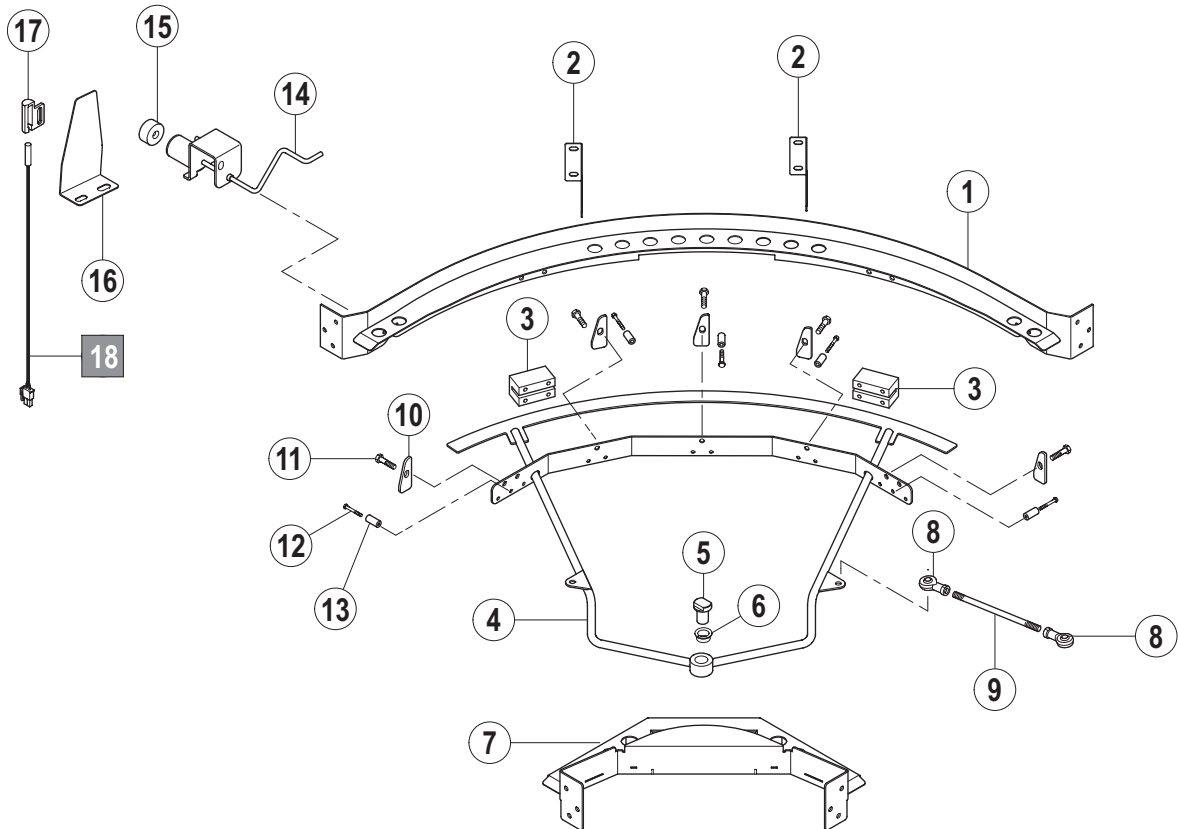
**C prélavage**





vsezip.ru

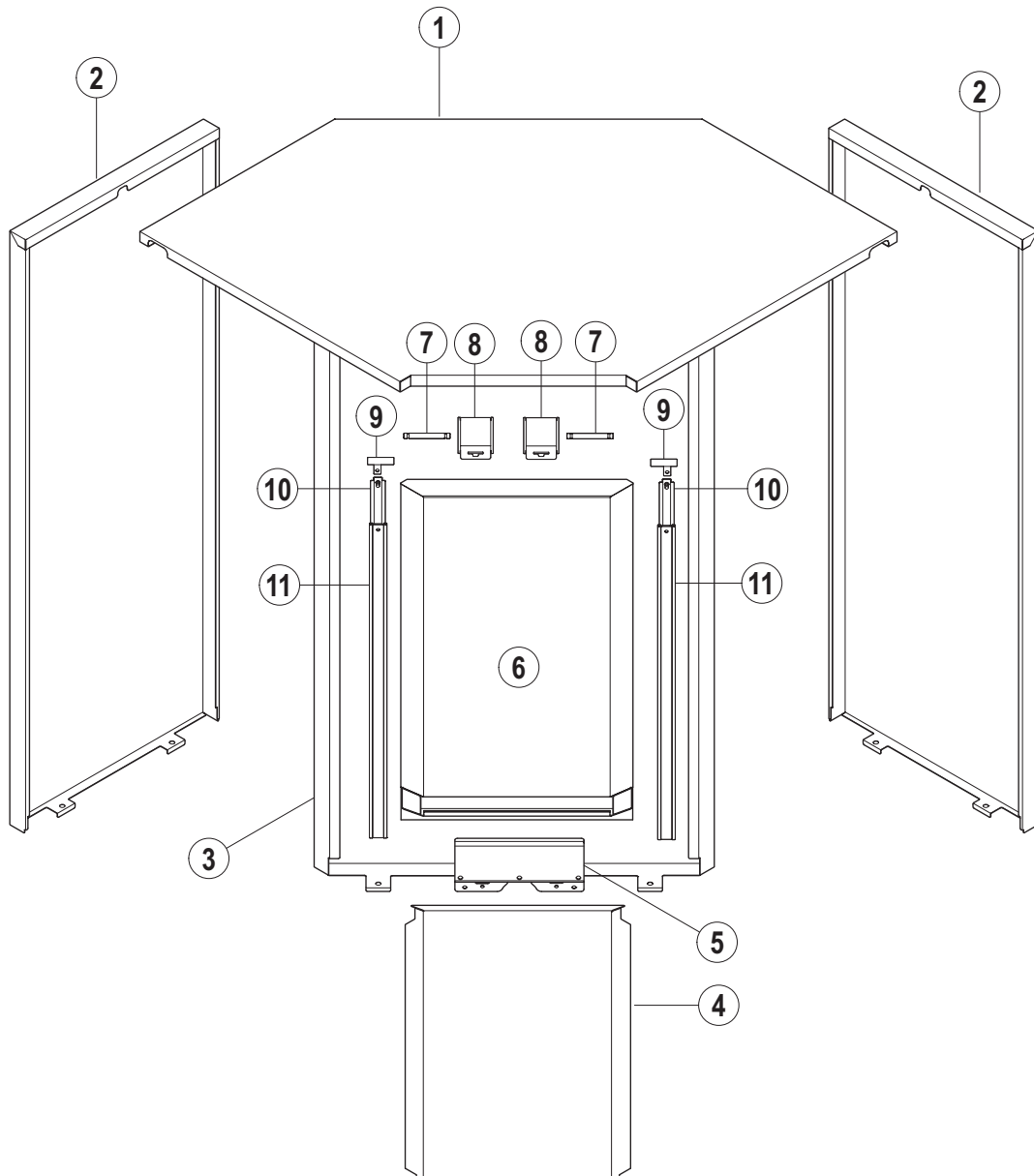
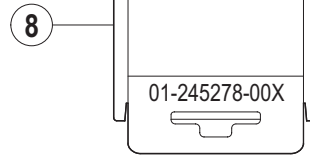
Pos.	A	B			X [mm]	Bemerkung / Remarks / Remarques	
		CS	CN	CP			
01	L/R	---	01-291999-001	=	+7(812)987-08-81		
	R/L	---	01-291999-002	=			
02		---	01-291429-001	=			
03	L/R	---	01-291409-001	=			
	R/L	---	01-291409-002	=			
04	L/R	---	01-291408-001	=			
	R/L	---	01-291408-002	=			
05		---	00-325008-001	=			
06		---	00-325007-001	=			
07		---	01-291289-001	=			
08		---	01-291515-001	=			
09	L/R	---	01-296137-001	=			
	R/L	---	01-296137-002	=			
10		---	01-245112-001	=			
11		---	01-245460-001	=			
12		---	01-245265-001	=			
13		---	00-323945-064	=			
14		---	01-291519-001	=			
15		---	00-325737-001	=			
16		---	00-230080-001	=			
17		---	00-229679-013	=			
18		---	00-229679-012	=			
19		---	00-325737-004	=			
20		---	00-230079-001	=			
21		---	00-229680-001	=			
22		---	00-377340-001	=			
23		---	00-323593-002	=			
24		---	00-229679-024	=			
25		---	00-325737-001	=			
26		---	01-245107-001	=			
27		---	01-245340-004	=			
28		---	01-245109-001	=			
29		---	00-323945-053	=			
30		---	01-291527-002	=			
31		---	00-774683-...	=			siehe Schaltplan / see wiring diagram / voir schéma de câblage
32		---	01-291684-002	=			
33		---	01-245621-002	=			
34		---	00-112467-000	=			
35		---	00-112674-000	=			
36		---	00-168611-021	=			
37		---	01-296000-001	=			
38		---	00-602476-000	=			
39		---	00-174994-013	=			
40		---	01-240288-001	=			
41		---	00-883838-001	=			



Автомобильная  
vsezip.ru  
+7(812)987-08-81

05.2

Pos.	A	B			X [mm]	Bemerkung / Remarks / Remarques
		CS	CN	CP		
01		---	01-291139-001	=		
02		---	01-291055-001	=		
03		---	01-296049-001	=		
04		---	01-296059-001	=		
05		---	00-734988-001	=		
06		---	00-298963-012	=		
07		---	01-296138-001	=		
08		---	00-609067-000	=		
09		---	00-884128-003	=		
10		---	00-897777-002	=		
11		---	00-609313-000	=		
12		---	00-602643-000	=		
13		---	00-380528-037	=		
14	L/R	---	01-242189-001	=		
	R/L	---	01-242189-002	=		
15		---	00-774714-001	=		
16		---	01-291513-001	=		
17		---	01-240288-001	=		
18		---	00-883838-001	=		



vsezip.ru

+7(812)987-08-81

05.3

Pos.	A	B			X [mm]	Bemerkung / Remarks / Remarques
		CS	CN	CP		
01		---	01-296154-001	=		ohne Isolierung / without insulation / sans isolation
		---	01-296154-002	=		mit Isolierung / with insulation / avec isolation
02		---	01-291317-004	=		ohne Isolierung / without insulation / sans isolation
		---	01-291711-004	=		mit Isolierung / with insulation / avec isolation
03		---	01-296116-001	=		ohne Isolierung / without insulation / sans isolation
		---	01-291711-006	=		mit Isolierung / with insulation / avec isolation
04		---	01-296-137-001	=		
05		---	01-245279-003	=		
06		---	01-296112-001	=		
07		---	01-245281-001	=		
08		---	01-245278-008	=		
09		---	01-291426-001	=		
10		---	01-245126-003	=		
11		---	00-325064-008	=		

**Зип Общепит**

**vsezip.ru**

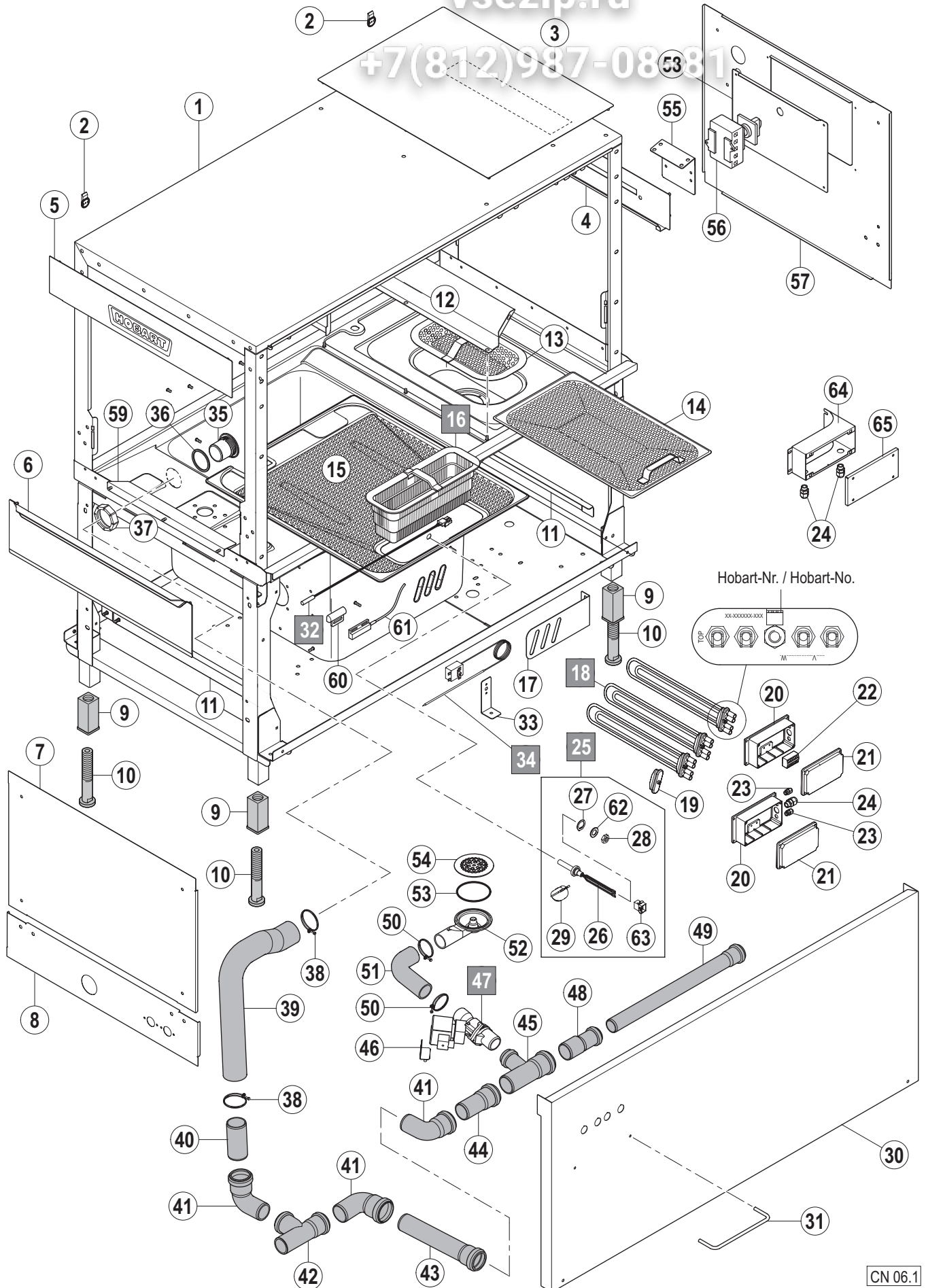
**+7(812)987-08-81**

05.3

**Зип Общепит**  
**vsezip.ru**  
**+7(812)987-08-81**

**CS / CN / CP**  
**AR/AN Waschung**  
**AR/AN wash**  
**AR/AN lavage**

06.1



CN 06.1



vsezip.ru

7(812)987-08-81

Pos.	A	B			X [mm]	Bemerkung / Remarks / Remarques
		CS	CN	CP		
01	L/R	01-245399-005	01-245399-001	01-245399-003		
	R/L	01-245399-006	01-245399-002	01-245399-004		
02		00-325037-001	---	---		
03		01-291799-001	---	---		
04		01-291434-001	=	=		
05		01-291497-001	---	---		
06		01-291429-001	=	=		
07	L/R	01-291409-001	=	=		
	R/L	01-291409-002	=	=		
08	L/R	01-291408-001	=	=		
	R/L	01-291408-002	=	=		
09		00-325008-001	=	=		
10		00-325007-001	=	=		
11		01-291432-001	=	=		
12		01-245042-001	=	=		
13		00-325074-001	=	---		
14		---	---	01-245118-010		
15	L/R	01-245047-006	=	=		
	R/L	01-245047-005	=	=		
16		01-245170-010	=	=		
17		01-245372-002	=	=		
18		00-324637-...	00-324637-...			siehe Schaltplan / see wiring diagram / voir schéma de câblage
19		00-774808-001	=	=		
20		---	01-245373-001	=		
21		---	01-245374-001	=		
22		---	00-325025-000	=		
23		---	00-695661-001	=		
24		---	00-695661-003	=		
25		01-245621-003	01-245621-002	=		
26		00-226282-012	01-296000-001	=		
27		00-112467-000	=	=		
28		00-602476-000	=	=		
29		00-122674-000	=	=		
30	L/R	01-291787-001	01-291787-005	01-291407-010		mit Vorwaschung / with prewash / avec pré-lavage
	R/L	01-291787-002	01-291787-006	01-291407-010		mit Vorwaschung / with prewash / avec pré-lavage
		---	01-291787-004	---		ohne Vorwaschung / without prewash / sans pré-lavage
31		00-895734-001	---	---		
32		---	01-240288-001	=		
33		00-895758-001	---	---		
34		00-226505-...	---	---		
35		01-245112-001	=	=		
36		01-245460-001	=	=		
37		01-245165-001	=	=		
38		00-323945-064	=	=		
39		01-291519-001	=	=		
40		00-325737-007	=	=		
41		00-230080-001	=	=		
42		00-230079-001	=	=		
43		00-229679-006	=	=		
44		00-229679-013	=	=		

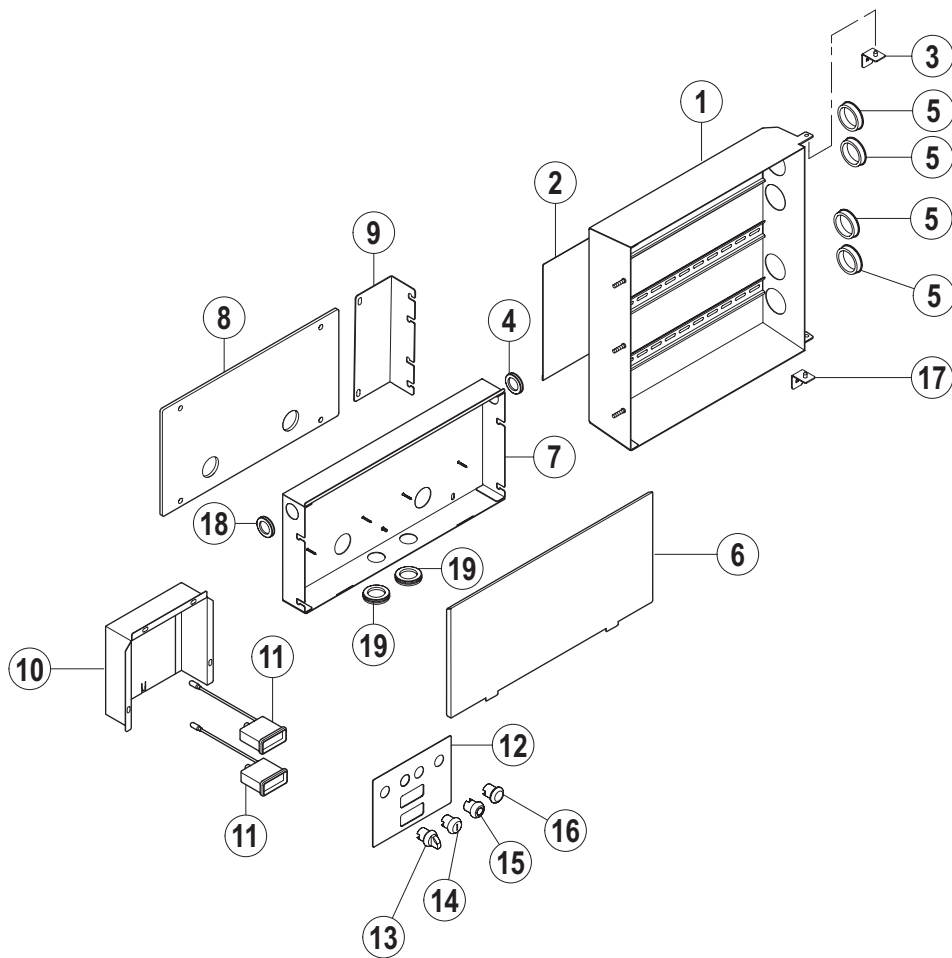
vsezip.ru  
+7(812)987-08-81

06.1

Pos.	A	B			X [mm]	Bemerkung / Remarks / Remarques
		CS	CN	CP		
45		00-323593-002	=	=		
46		01-291684-001	=	=		
47		00-774683-...	=	=		siehe Schaltplan / see wiring diagram / voir schéma de câblage
48		00-325708-001	=	=		
49		00-325706-017	=	=		
50		00-323945-053	=	=		
51		01-291527-001	=	=		
52		01-245109-001	=	=		
53		01-245340-004	=	=		
54		01-245107-001	=	=		
55		01-291425-001	=	---		
56		00-785574-...	=	---		siehe Schaltplan / see wiring diagram / voir schéma de câblage
57	L/R	01-296274-001	=	---		
	R/L	01-296274-002	=	---		
58		01-291427-001	=	---		
59		00-895737-001	---	---		
60		---	00-883838-001	---		
61		00-229517-000	---	---		
62		---	00-168611-021	=		
63		---	00-174994-013	---		
64	L/R	---	---	01-245657-001		
	R/L	---	---	01-245657-002		
65		---	---	01-245656-002		

**Зип Общепит**  
**vsezip.ru**  
**+7(812)987-08-81**

06.1



Pos.	A	B			X [mm]	Bemerkung / Remarks / Remarques
		CS	CN	CP		
01		01-291422-001	=	---		
02		00-374384-000	=	---		
03		01-245228-002	=	---		
04		00-785565-004	=	---		
05		00-886756-001	=	---		
06		00-895732-001	=	---		
07		01-291424-001	=	---		
08		01-291499-001	=	---		
09		01-291786-001	---	---		
10		00-899256-001	---	---		
11		00-228720-003	---	---		
12		01-291809-001	---	---		ohne / without / sans Pos.11
		01-291809-002	---	---		mit / with / avec Pos.11
13		00-8870015-61	---	---		
14		00-887015-033	---	---		
15		00-887015-021	---	---		
16		00-887015-047	---	---		
17		01-245228-003	=	---		
18		00-227748-004	=	---		
19		00-785565-005	=	---		

06.2

**Зип Общепит**  
**vsezip.ru**  
**+7(812)987-08-81**

06.2

**Зип Общепит**  
**vsezip.ru**  
**+7(812)987-08-81**

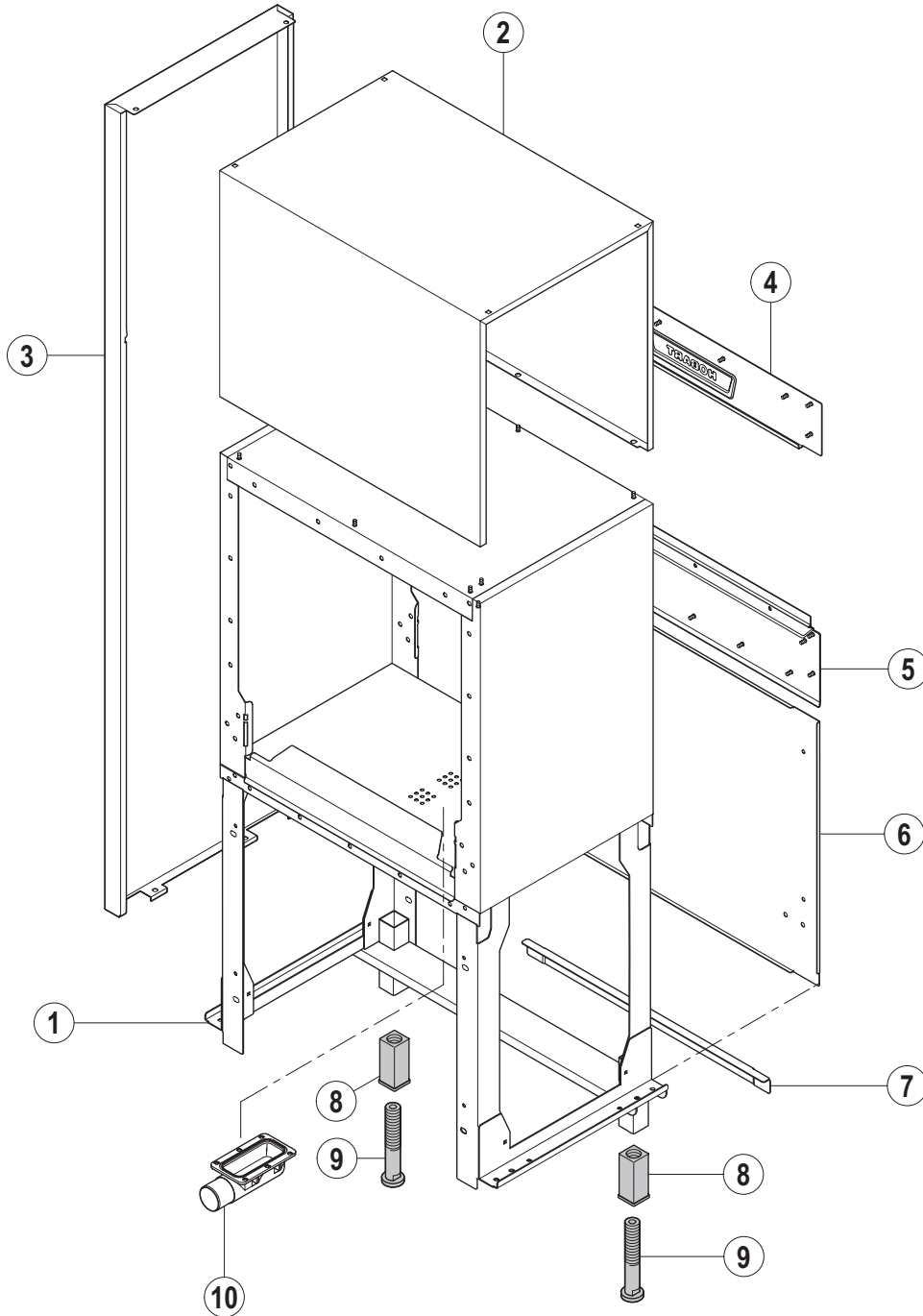
**CS / CN / CP**

**ND Modul**

**ND Module**

**ND Module**

07.1



CN 07.1

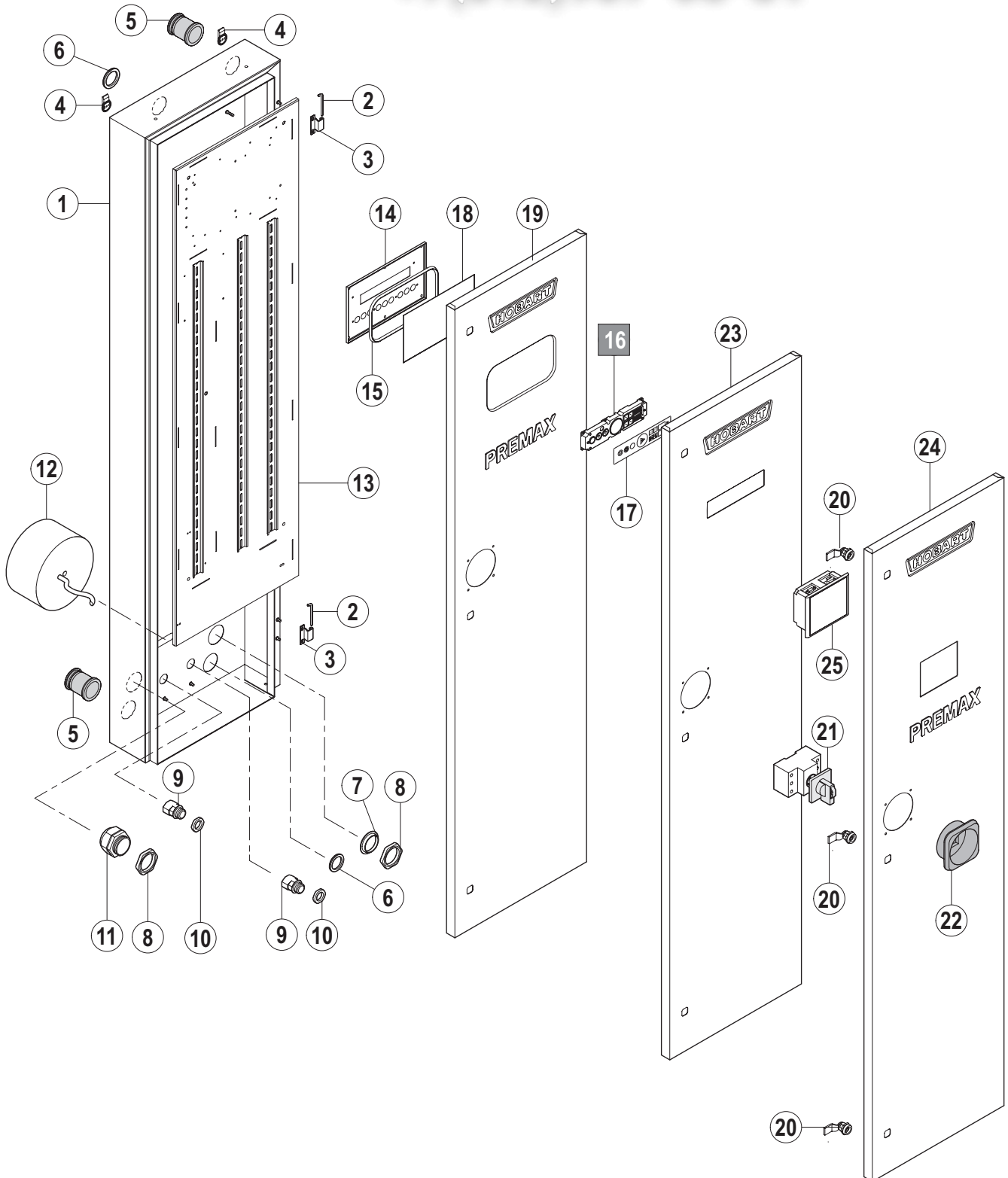


Автомобильный  
vsezip.ru  
+7(812)987-08-81

Pos.	A	B			X [mm]	Bemerkung / Remarks / Remarques
		CS	CN	CP		
01		---	01-291518-002	=		
02		---	01-291673-001	=		
03		---	01-291466-003	=		mit Trocknung / with dryer / avec séchage
		---	01-291466-004	=		ohne Trocknung / without dryer / sans séchage
04		---	01-291497-001	=		
05		---	01-291429-002	=		
06		---	01-291419-003	=		
07		---	01-291432-001	=		
08		---	00-325008-001	=		
09		---	00-325007-001	=		
10		---	00-325529-001	=		

07.1

07.2



vsezip.ru  
+7(812)987-08-81

Pos.	A	B			X [mm]	Bemerkung / Remarks / Remarques
		CS	CN	CP		
01		---	01-291469-002	=		
02		---	00-325086-013	=		
03		---	00-325086-011	=		
04		---	00-325037-001	=		
05		---	00-325186-001	=		
06		---	00-325655-001	=		
07		---	00-695666-007	=		
08		---	00-695664-007	=		
09		---	00-774797-002	=		
10		---	00-695664-004	=		
11		---	00-695661-007	=		
12		---	00-774783-...	=		siehe Schaltplan / see wiring diagram / voir schéma de câblage
13		---	00-868499-003	=		
14		---	01-245672-001	=		
15		---	00-325554-004	=		
16		---	00-897540-002	---		
17		---	01-291845-001	---		
18		---	01-245674-002	=		
19		---	01-291472-001	01-291472-002		
20		---	00-229518-001	=		
21		---	00-301773-...	=		siehe Schaltplan / see wiring diagram / voir schéma de câblage
22		---	00-734115-002	00-734115-003		
23		---	01-291472-003	---		
24		---	01-291472-005	01-291472-004		
25		---	00-887104-002	00-887104-001		

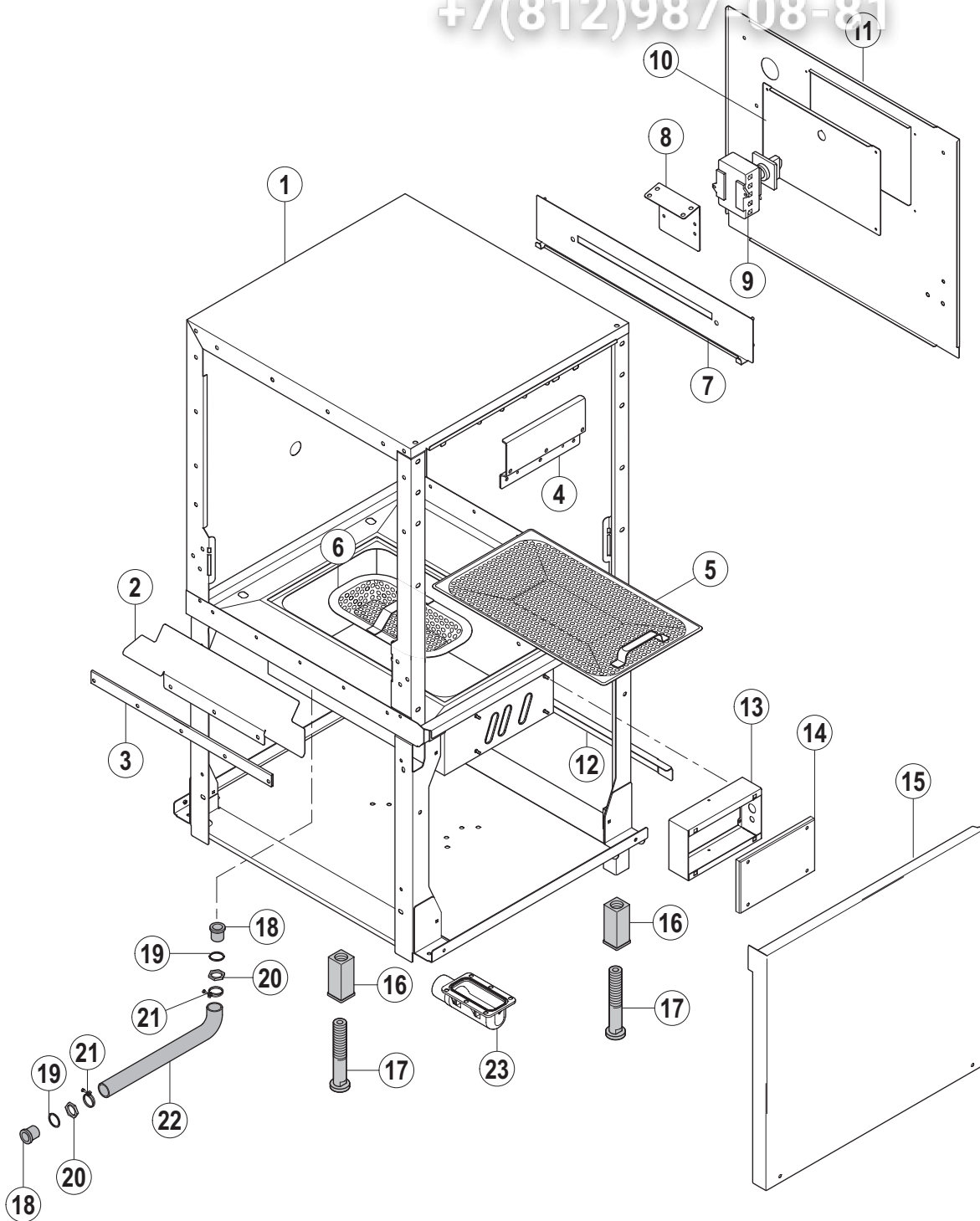
**Зип Общепит**  
**vsezip.ru**  
**+7(812)987-08-81**

07.2

**Зип Общепит**  
**vsezip.ru**  
**+7(812)987-08-81**

**CS / CN / CP**  
**Spülmodul**  
**Rinse module**  
**Module de rinçage**

08.1



www.vsezip.ru  
7(812)987-08-81

Pos.	A	B			X [mm]	Bemerkung / Remarks / Remarques
		CS	CN	CP		
01	L/R	---	01-291880-001	01-291880-003		
	R/L		01-291880-002	01-291880-004		
02		---	00-896430-003	=		
03		---	00-325155-003	=		
04		---	01-245279-002	=		
05		---	---	01-245118-010		
06		---	00-868460-001	---		
07		---	01-291434-001	=		
08		---	01-291425-002	---		
09		---	00-785574-...	---		siehe Schaltplan / see wiring diagram / voir schéma de câblage
10		---	01-291427-001	---		
11	L/R	---	01-291419-001	---		
	R/L		01-291419-002	---		
12		---	01-291432-011	=		
13		---	---	01-245655-002		
14		---	---	01-245656-004		
15	L/R	---	01-291407-007	01-291407-008		
	R/L		01-291407-006	01-291407-008		
16		---	00-325008-001	=		
17		---	00-325007-001	=		
18		---	00-229446-003	=		
19		---	00-168611-011	=		
20		---	00-172739-002	=		
21		---	00-323945-033	=		
22		---	00-898242-003	=		
23		---	00-325529-001	=		
24		---	01-240288-001	=		
25		---	00-883838-001	=		

08.1

**Зип Общепит**  
**vsezip.ru**  
**+7(812)987-08-81**

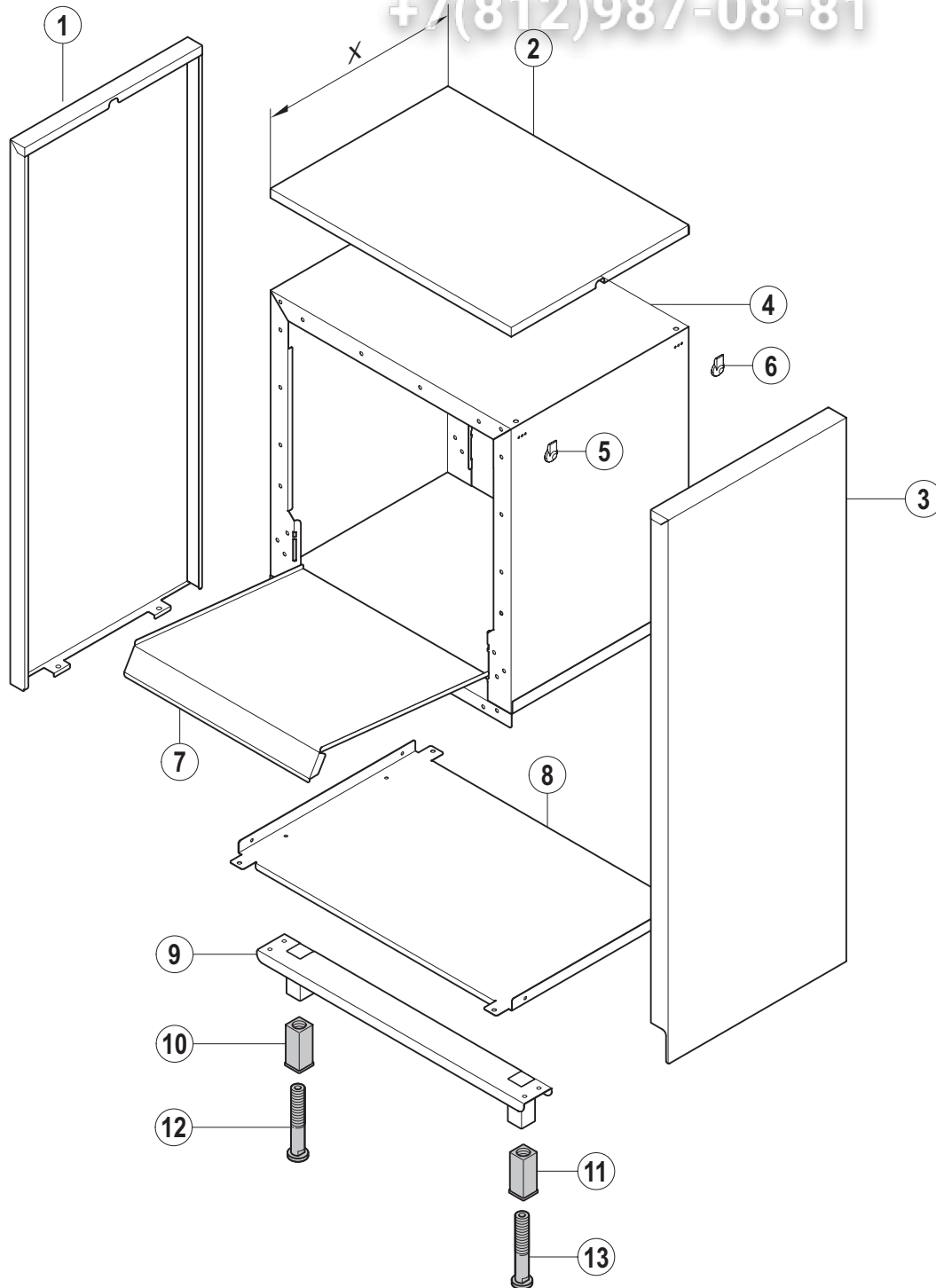
08.1



**Зип Общепит**  
**vsezip.ru**  
**+7(812)987-08-81**

**CS / CN / CP**  
**Trennmodul**  
**Disconnecting module**  
**Module de passage**

09.1



Автомобильный  
vsezip.ru  
+7(812)987-08-81

Pos.	A	B			X [mm]	Bemerkung / Remarks / Remarques
		CS	CN	CP		
01		---	01-291317-004	=	500	
		---	01-291317-008	=	300	
02		---	01-291397-004	=	500	
		---	01-291397-007	=	300	
03		---	01-291866-001	=	500	
		---	01-291866-002	=	300	
04		---	01-291860-001	=	500	
		---	01-291860-002	=	300	
05		---	00-325037-001	=		
06		---	01-291857-001	=	500	
		---	01-291857-002	=	300	
07		---	01-291856-001	=	500	
		---	01-291856-002	=	300	
08		---	01-291366-005	=		
09		---	00-325008-001	=		
10		---	00-325007-001	=		

09.1

**Зип Общепит**  
**vsezip.ru**  
**+7(812)987-08-81**

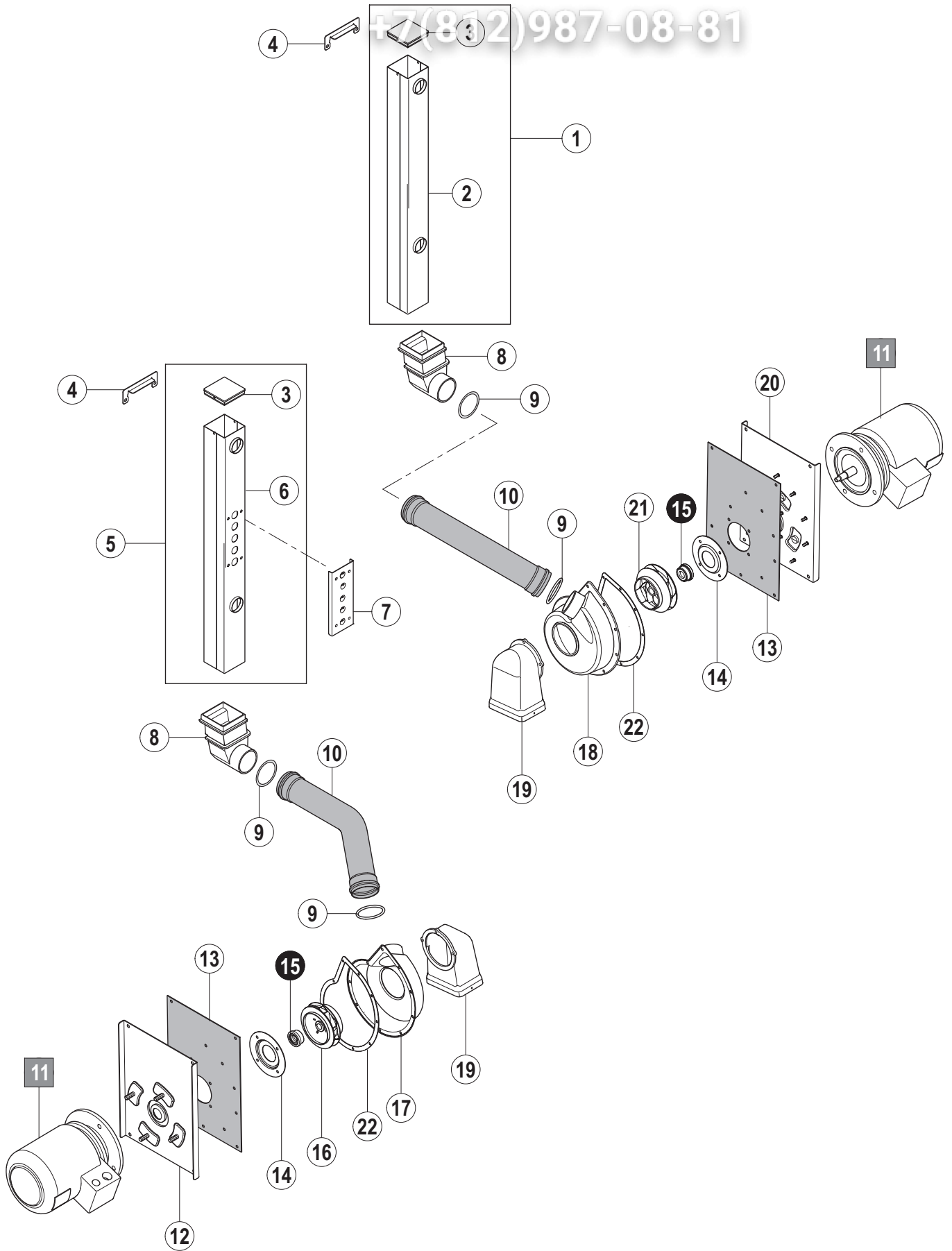
09.1

**Зип Общепит**  
**vsezip.ru**  
**+7(812)987-08-81**

**CS / CN / CP**  
**Waschsystem**  
**Wash system**  
**Système de lavage**

+7(812)987-08-81

10.1

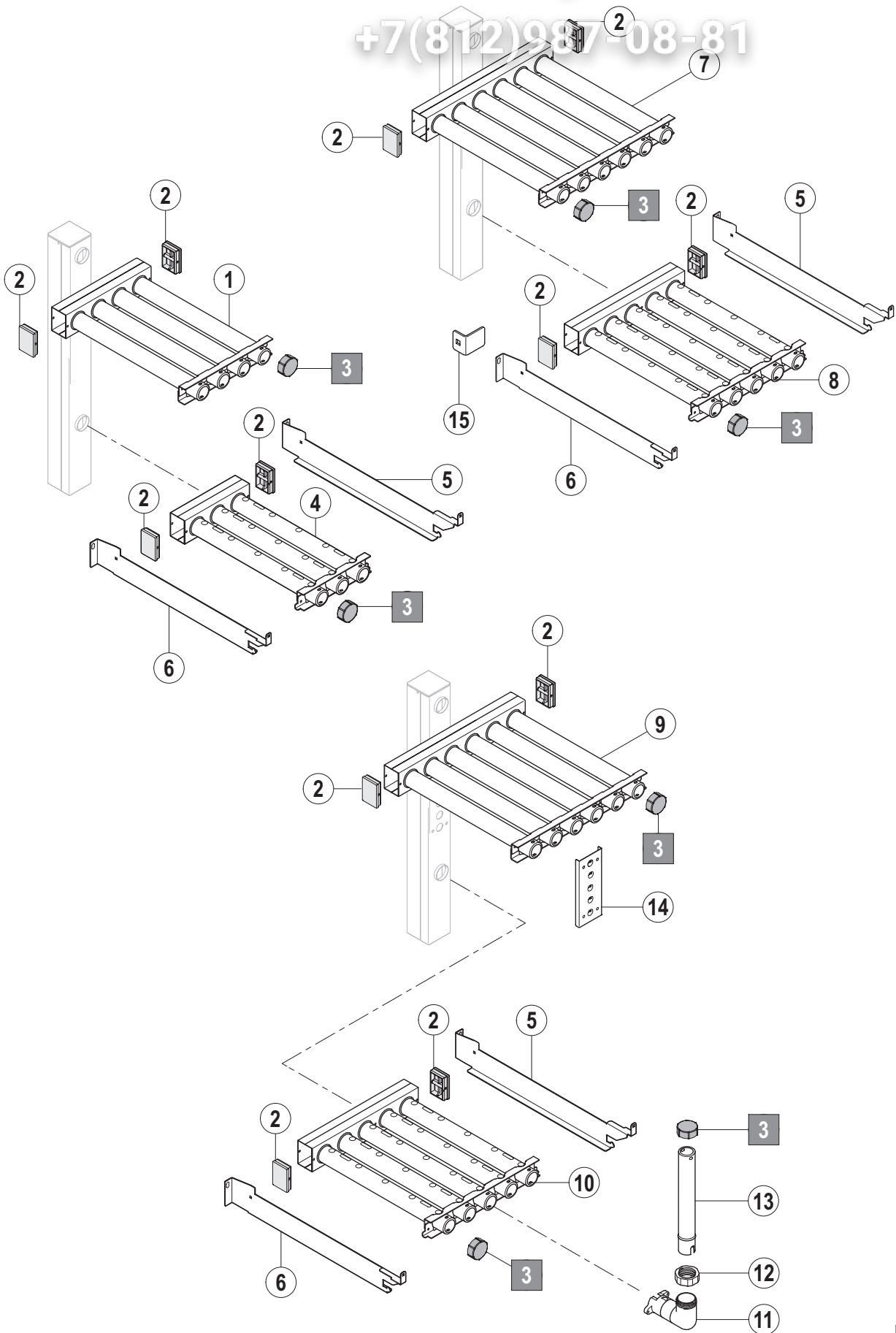


vsezip.ru

+7(812)987-08-81

Pos.	A	B			X [mm]	Bemerkung / Remarks / Remarques
		CS	CN	CP		
01		01-245669-005	=			
02		01-245110-005	=			
03		01-245086-002	=			
04		01-245979-001	=			
05		---	01-245669-008	=		
06		---	01-245110-008	=		
07		---	01-245428-002	=		
08		01-245055-001	=			
09		01-245340-003	=			
10		01-245277-001	=			
11		01-245176-...	=			siehe Schaltplan / see wiring diagram / voir schéma de câblage
12		01-245835-003	=			
13		01-245386-002	=			
14		01-245379-001	=			
15		01-245033-002	=			
16		01-245162-004	01-245162-003	01-245162-003		S-Modul; AR-Modul
		01-245162-004	=	=		L-Modul
17		01-245135-004	=			
18		01-245135-005	=			
19		01-245713-001	=			
20		01-245835-004	=			
21		01-245088-004	01-245088-003	01-245088-003		S-Modul; AR-Modul
		01-245088-004	=	=		L-Modul
22		01-245459-001	=			

10.2





vsezip.ru

+7(812)987-08-81

Pos.	A	B			X [mm]	Bemerkung / Remarks / Remarques
		CS	CN	CP		
01	L/R	01-291302-009	---	---		AR-Modul
	R/L	01-291302-011	---	---		AR-Modul
	L/R	---	01-291302-005	=		L-Modul
	R/L	---	01-291302-007	=		L-Modul
	L/R	---	01-291302-017	=		C-Modul
	R/L	---	01-291302-019	=		C-Modul
02		01-245086-001	=	=		
03		01-245084-001	=	=		
04	L/R	01-291302-010	---	---		AR-Modul
	R/L	01-291302-012	---	---		AR-Modul
	L/R	---	01-291302-006	=		L-Modul
	R/L	---	01-291302-008	=		L-Modul
	L/R	---	01-291302-018	=		C-Modul
	R/L	---	01-291302-020	=		C-Modul
05		01-291358-001	=	=		
06		01-291358-002	=	=		
07	L/R	---	01-291302-001	=		AR-Modul, S-Modul
	R/L	---	01-291302-003	=		AR-Modul, S-Modul
08	L/R	---	01-291302-002	=		AR-Modul, S-Modul
	R/L	---	01-291302-004	=		AR-Modul, S-Modul
09	L/R	---	01-291302-015	=		AR-Modul
	R/L	---	01-291302-016	=		AR-Modul
10	L/R	---	01-291302-013	=		AR-Modul
	R/L	---	01-291302-014	=		AR-Modul
11		---	01-296040-001	=		
12		---	01-245424-001	=		
13	L/R	---	01-291869-001	=		
	R/L	---	01-291869-002	=		
14		---	01-245428-002	=		
15		---	01-291886-001	=		

10.2

**Зип Общепит**  
**vsezip.ru**  
**+7(812)987-08-81**

10.2

**Зип Общепит**  
**vsezip.ru**  
**+7(812)987-08-81**

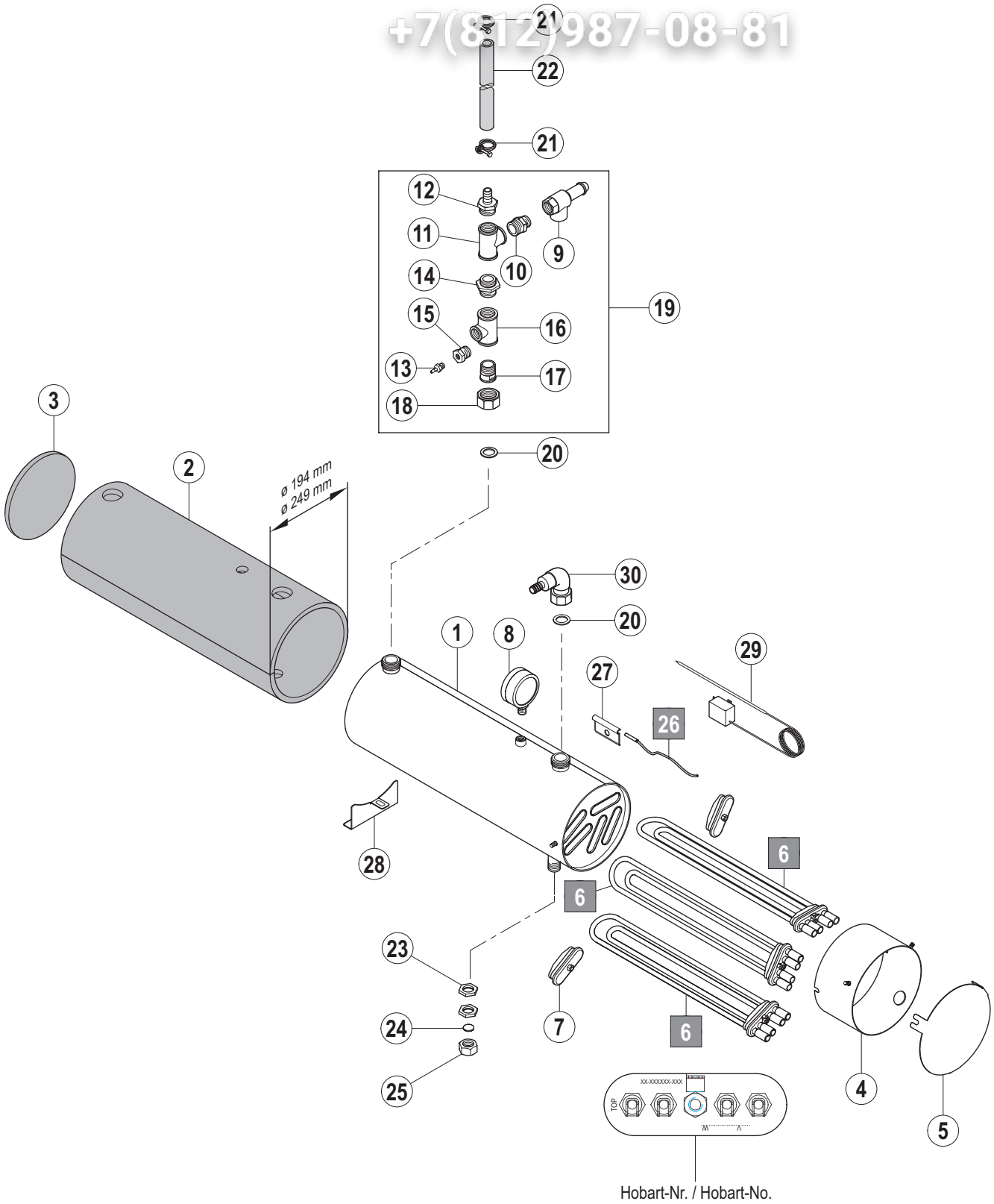
**CS / CN / CP**

**Erhitzer**

**Booster**

**Chaudière**

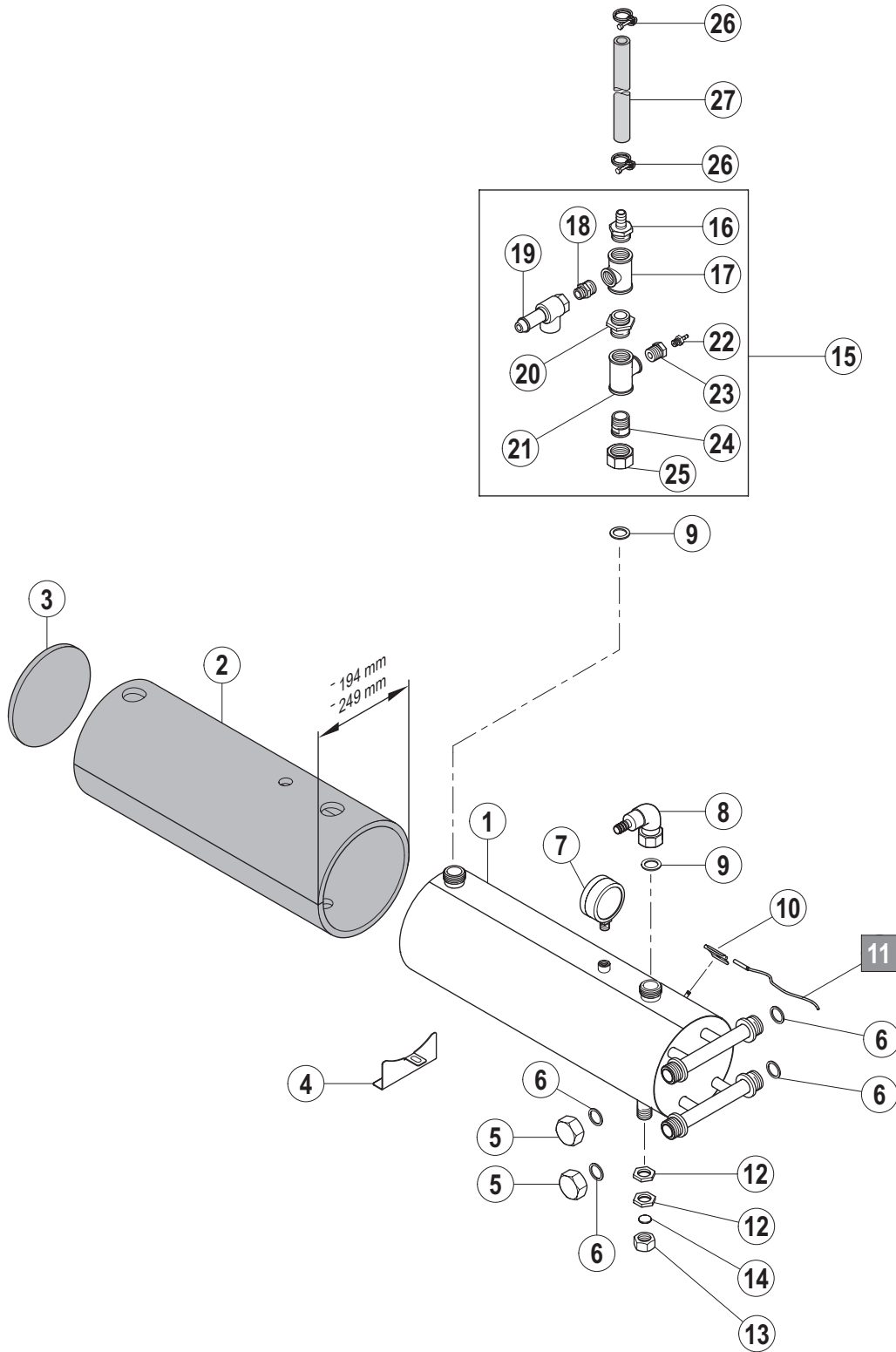
11.1



vsezip.ru

+7(812) 987-08-81

Pos.	A	B			X [mm]	Bemerkung / Remarks / Remarques
		CS	CN	CP		
01		00-897683-001	=	=	Ø194	mit Isolierung / with insulation / avec isolation
		01-241873-001	=	=	Ø249	mit Isolierung / with insulation / avec isolation
02		00-897657-001	=	=	Ø194	
		01-241874-001	=	=	Ø249	
03		00-897657-002	=	=	Ø194	
		01-241876-001	=	=	Ø249	
04		01-249044-001	=	=	Ø194	
		01-249044-002	=	=	Ø249	
05		01-249043-001	=	=	Ø194	
		01-249043-002	=	=	Ø249	
06		00-324637-...	=	=		Nr. siehe Flansch / no. see flange / no. voir bride
07		00-774808-001	=	=		
08		00-229583-001	=	=		
09		00-229621-000	=	=		
10		00-602757-000	=	=		
11		00-603163-000	=	=		
12		00-897680-001	=	=		
13		00-227249-003	=	=		
14		00-227931-000	=	=		
15		01-291287-001	=	=		
16		01-291288-001	=	=		
17		01-291286-001	=	=		
18		00-600806-000	=	=		
19		01-244435-002	=	=		
20		00-168611-003	=	=		
21		00-323945-022	=	=		
22		01-245571-002	=	=		L=2000 mm
23		00-172739-001	=	=		
24		00-168611-022	=	=		
25		00-600588-000	=	=		
26		---	00-775612-001	=		
27		00-775489-001	=	=		
28		01-243201-001	=	=		
29		00-226-505-004	---	---		
30		01-245560-001	=	=		



11.2

vsezip.ru

+7(812) 987-08-81

Pos.	A	B			X [mm]	Bemerkung / Remarks / Remarques
		CS	CN	CP		
01		---	01-245602-002	=	Ø194	mit Isolierung / with insulation / avec isolation
		---	01-245951-002	=	Ø249	mit Isolierung / with insulation / avec isolation
02		---	00-897657-001	=	Ø194	
		---	01-241874-001	=	Ø249	
03		---	00-897657-002	=	Ø194	
		---	01-241876-001	=	Ø249	
04		---	01-243201-001	=		
05		---	01-245605-001	=		
06		---	00-302574-014	=		
07		---	00-229583-001	=		
08		---	01-245560-001	=		
09		---	00-168611-003	=		
10		---	00-775489-001	=		
11		---	00-775612-001	=		
12		---	00-172739-001	=		
13		---	00-600588-000	=		
14		---	00-168611-022	=		
15		---	01-244435-002	=		
16		---	00-897680-001	=		
17		---	00-603163-000	=		
18		---	00-602757-000	=		
19		---	00-229621-000	=		
20		---	00-227931-000	=		
21		---	01-291288-001	=		
22		---	00-227249-003	=		
23		---	01-291287-001	=		
24		---	01-291286-001	=		
25		---	00-600806-000	=		
26		---	00-323945-022	=		
27		---	01-245571-002	=		L=2000 mm

11.2

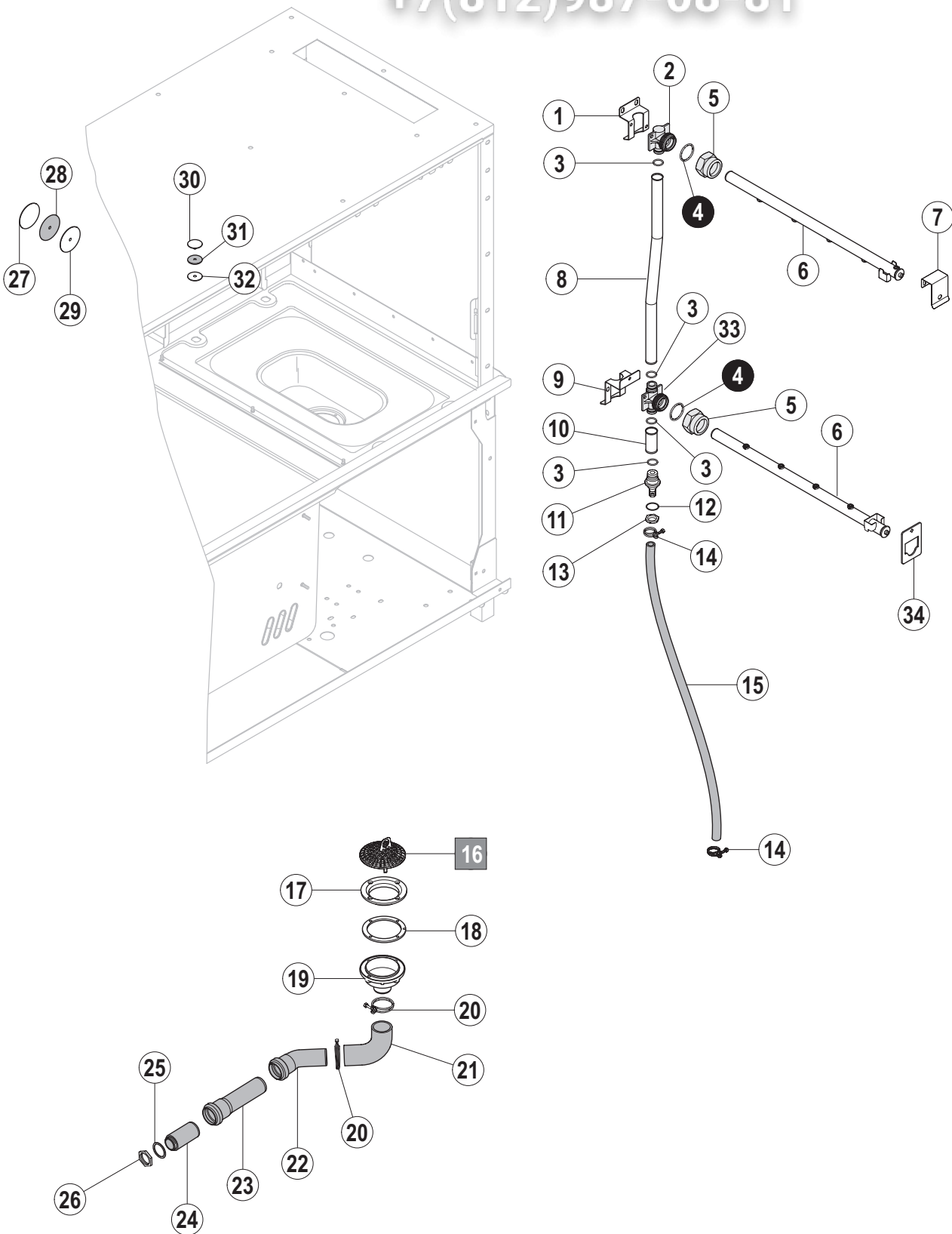
**Зип Общепит**  
**vsezip.ru**  
**+7(812)987-08-81**



**Зип Общепит**  
**vsezip.ru**  
**+7(812)987-08-81**

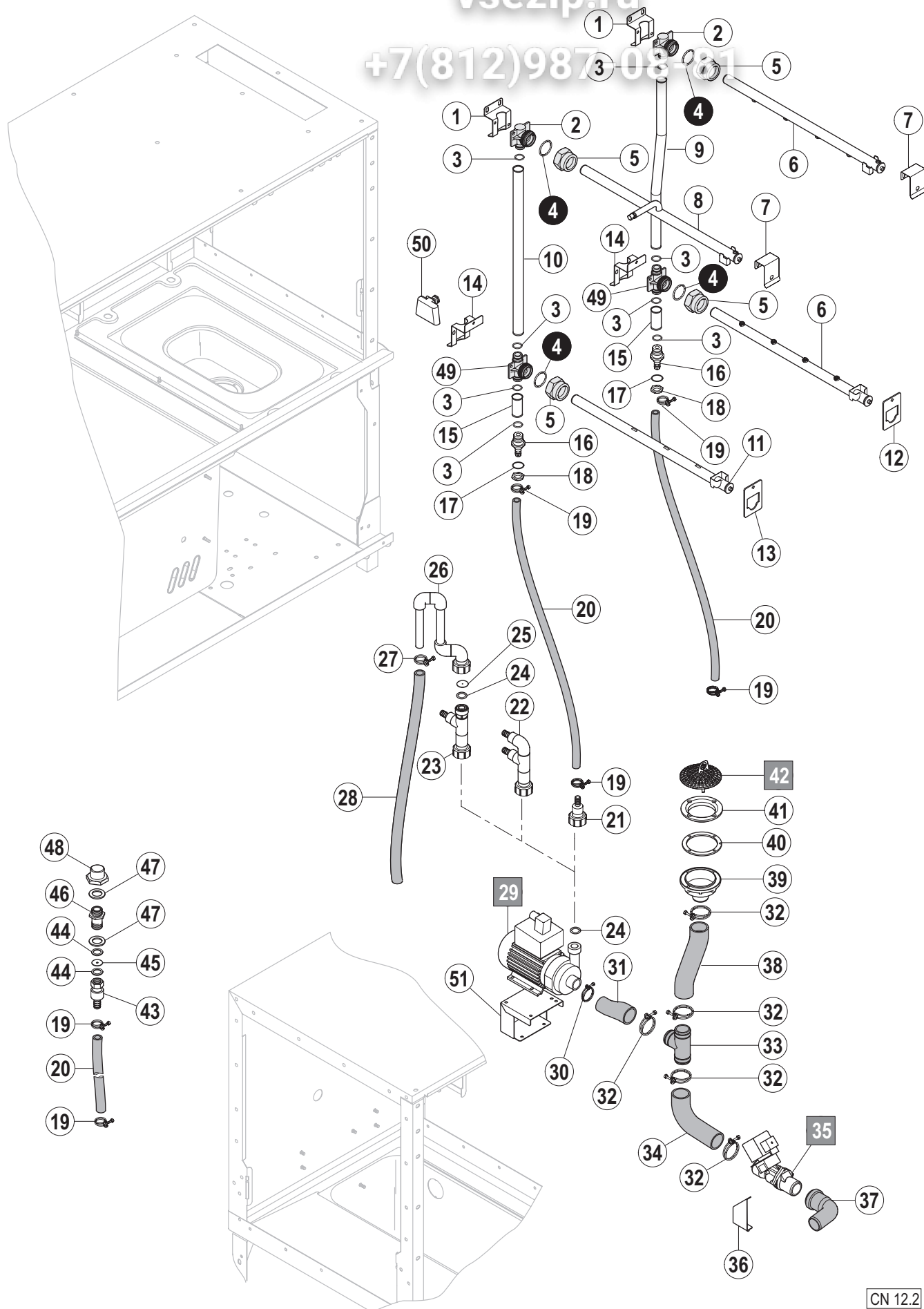
**CS / CN / CP**  
**Spülsystem**  
**Rinse system**  
**Système de rinçage**

12.1



Pos.	A	B			X [mm]	Bemerkung / Remarks / Remarques
		CS	CN	CP		
01		01-291337-001	=	---		
02		01-245318-002	=	---		
03		01-245340-001	=	---		
04		00-884505-002	=	---		
05		00-885572-001	=	---		
06		01-291340-001	=	---		
07		01-245062-001	=	---		
08		01-245323-003	=	---		
09		01-291341-001	=	---		
10		01-291297-001	=	---		
11		01-245329-001	=	---		
12		01-245340-002	=	---		
13		01-172739-009	=	---		
14		00-323945-022	=	---		
15		01-245571-001	=	---		
16		00-775750-001	=	---		
17		00-324053-000	=	---		
18		00-324056-000	=	---		
19		01-291536-001	=	---		
20		00-323945-053	=	---		
21		01-291527-002	=	---		
22		00-377340-003	=	---		
23		00-325706-013	=	---		
24		00-774616-001	=	---		
25		00-172986-028	=	---		
26		00-172739-008	=	---		
27		00-869137-001	=	---		
28		00-168611-023	=	---		
29		00-696943-014	=	---		
30		00-869137-003	=	---		
31		00-168611-024	=	---		
32		00-696943-030	=	---		
33		01-245318-001	=	---		
34		01-245351-001	=	---		

12.2



vsezip.ru

+7(812)987-08-81

Pos.	A	B			X [mm]	Bemerkung / Remarks / Remarques
		CS	CN	CP		
01		01-291337-001	=			
02		01-245318-002	=			
03		01-245340-001	=			
04		00-884505-002	=			
05		00-885572-001	=			
06		01-291340-001	=			
07		01-245062-001	=			
08		01-291305-001	=			Duo-Spülung / dual rinse / double rinçage
	L/R	---	01-291305-002	---		3-fach Spülung / triple rinse / triple rinçage
	R/L	---	01-291305-003	---		3-fach Spülung / triple rinse / triple rinçage
09		01-245323-003	=			
10		01-291297-002	=			
11		01-291305-001	=			
12		01-291351-001	=			
13	L/R	01-291351-002	=			
	R/L	01-291351-003	=			
14		01-291341-001	=			
15		01-291297-001	=			
16		01-245329-001	=			
17		01-245340-002	=			
18		00-172739-009	=			
19		00-323945-022	=			
20		01-245571-001	=			L=1000 mm
21		00-895735-001	=			
22		---	01-291679-001	---		
23		---	01-291679-002	---		
24		---	00-067500-072	---		
25		---	00-699119-041	---		
26		---	01-245742-001	---		
27		---	00-323945-033	---		
28		---	00-226994-009	---		L=900 mm
29		---	00-323592-...	---		siehe Schaltplan / see wiring diagram / voir schéma de câblage
30		00-323945-040	=			
31		01-291526-001	=			
32		00-323945-053	=			
33		01-291562-001	=			
34		01-291527-001	=			
35		00-774683-...	=			siehe Schaltplan / see wiring diagram / voir schéma de câblage
36		01-291686-001	=			
37		00-230080-002	=			
38		01-291525-001	=			
39		01-291536-001	=			
40		00-324056-000	=			
41		00-324053-000	=			
42		00-775750-001	=			
43		---	01-245992-002	---		
44		---	00-172986-034	---		
45		---	01-245857-005	---		
46		---	01-245850-001	---		
47		---	00-172986-027	---		

12.2

Авито-Общественный форум  
vsezip.ru  
+7(812)987-08-81

Pos.	A	B			X [mm]	Bemerkung / Remarks / Remarques
		CS	CN	CP		
48		---	00-774670-001	---		
49		---	01-245318-001	---		
50		00-324858-001	=	---		
51		01-296093-001	=	---		

12.2

**Зип Общепит**  
**vsezip.ru**  
**+7(812)987-08-81**

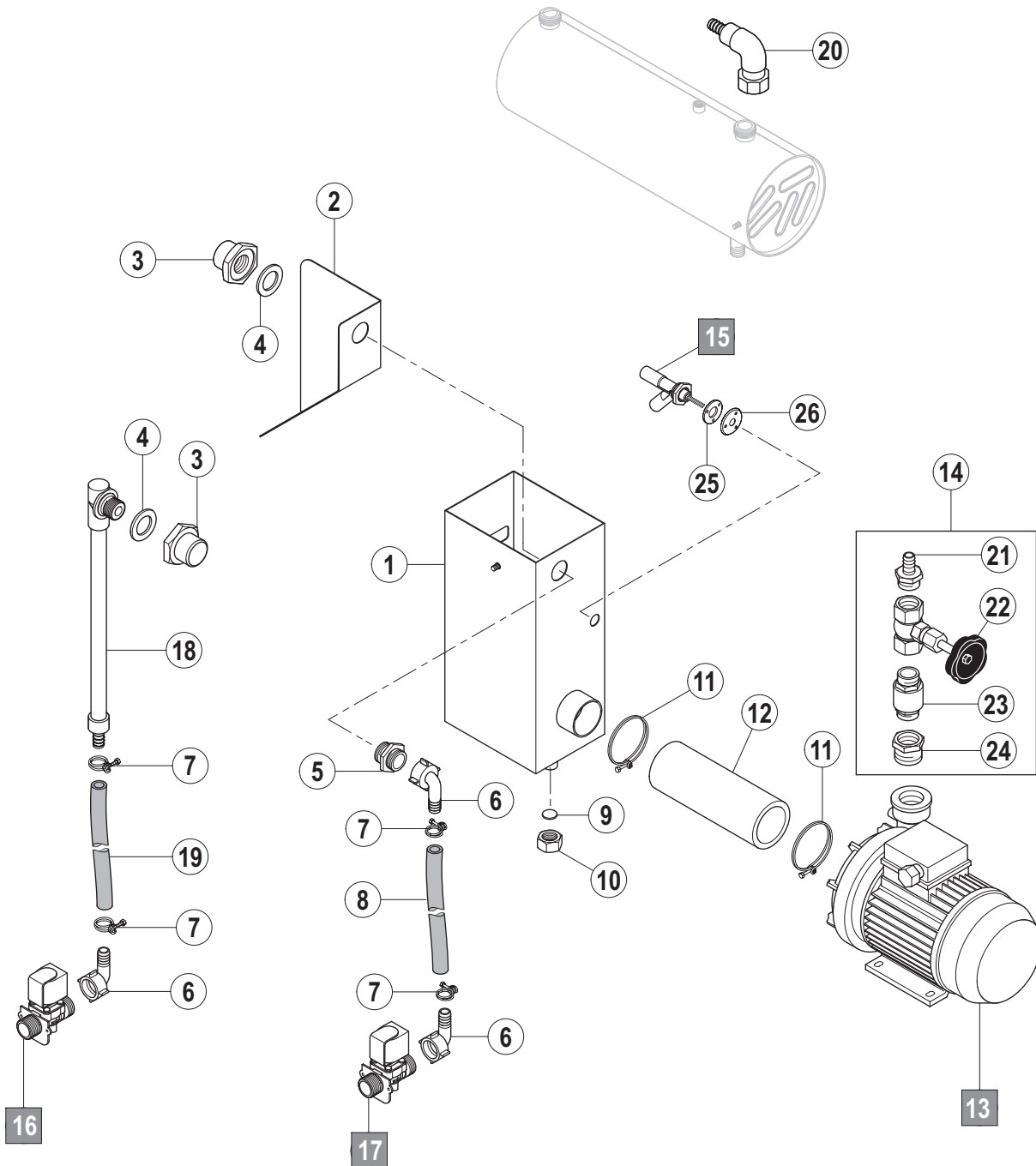
**CS / CN / CP**

**Füllsystem**

**Filling system**

**Système de remplissage**

13.1





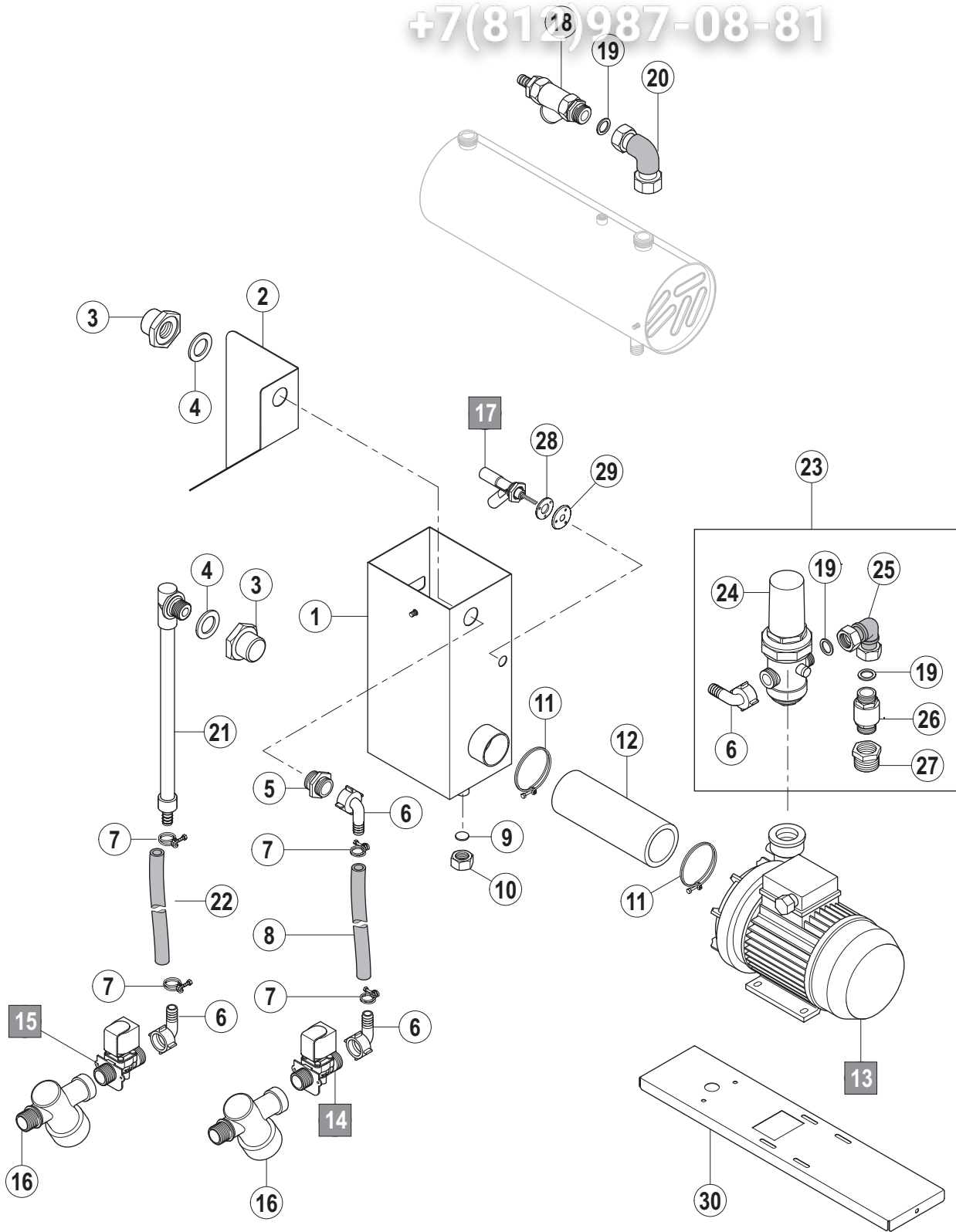
vsezip.ru

+7(812)987-08-81

Pos.	A	B			X [mm]	Bemerkung / Remarks / Remarques
		CS	CN	CP		
01		01-291436-001	=	---		
02		01-291662-001	=	---		
03		00-774670-001	=	---		
04		00-172986-027	=	---		
05		00-227931-000	=	---		
06		00-299240-001	=	---		
07		00-323945-022	=	---		
08		01-245571-013	=	---		L=1200 mm
09		00-168611-022	=	---		
10		00-600588-000	=	---		
11		00-323945-064	=	---		
12		00-693255-031	=	---		
13		00-897662-...	=	---		siehe Schaltplan / see wiring diagram / voir schéma de câblage
14		01-241859-001	=	---		
15		00-735171-002	=	---		
16		00-297808-012	=	---		Warmwasser / hot water / eau chaude
17		00-297808-010	=	---		Kaltwasser / cold water / eau froide
18		00-897686-001	=	---		
19		01-245571-002	=	---		L=2000 mm
20		01-245560-001	=	---		
21		00-897680-001	=	---		
22		01-241853-002	=	---		
23		00-897668-001	=	---		
24		00-603076-000	=	---		
25		00-774034-001	=	---		
26		00-774010-001	=	---		

13.1

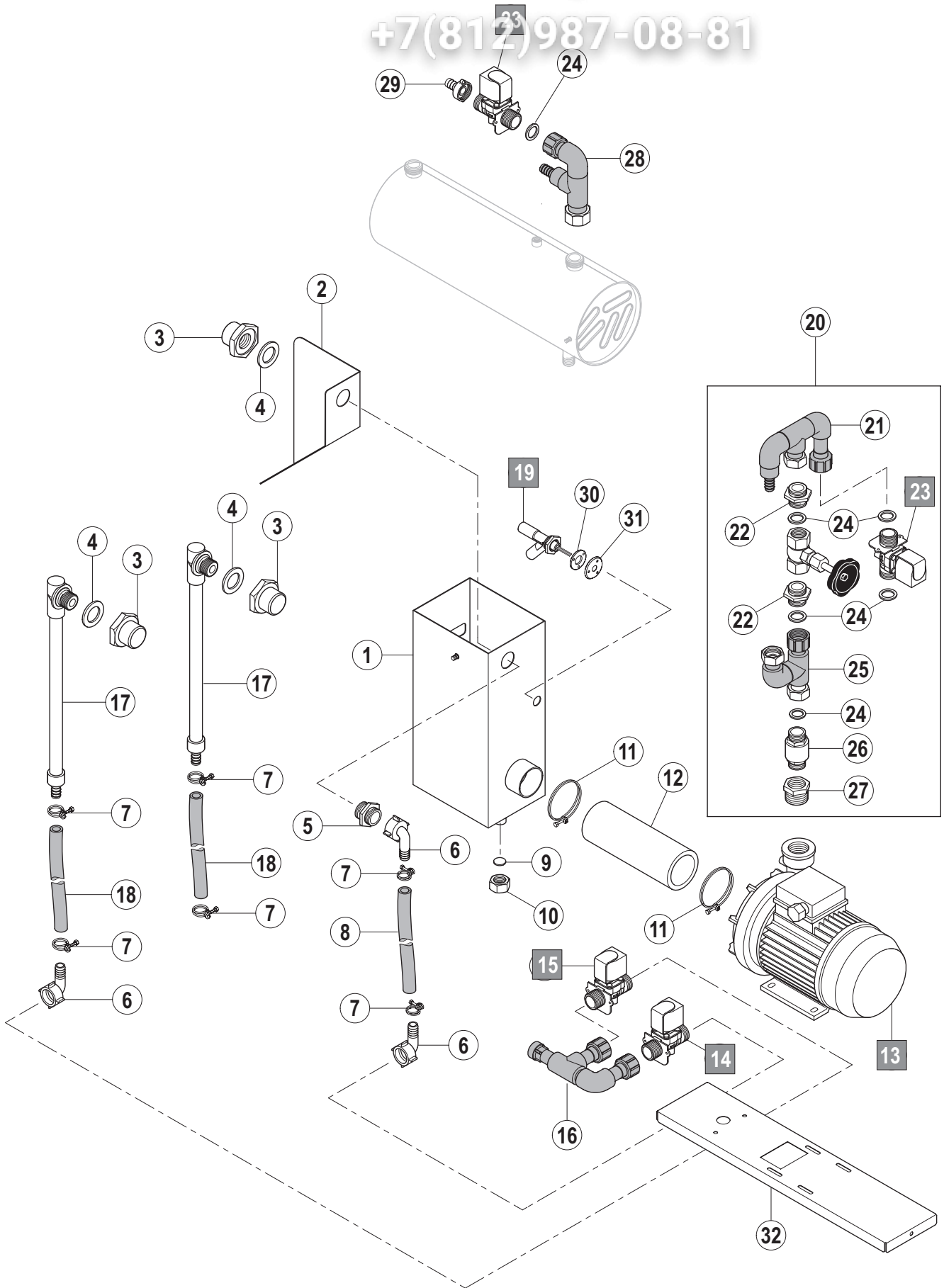
13.2



vsezip.ru  
+7(812)987-08-81

Pos.	A	B			X [mm]	Bemerkung / Remarks / Remarques
		CS	CN	CP		
01		---	01-291436-001	=		
02		---	01-291662-001	=		
03		---	00-774670-001	=		
04		---	00-172986-027	=		
05		---	00-227931-000	=		
06		---	00-299240-001	=		
07		---	00-323945-022	=		
08		---	01-245571-013	=		L=1200 mm
09		---	00-168611-022	=		
10		---	00-600588-000	=		
11		---	00-323945-064	=		
12		---	00-693255-031	=		
13		---	00-897662-...	=		siehe Schaltplan / see wiring diagram / voir schéma de câblage
14		---	00-297808-012	=		<b>Warmwasser / hot water / eau chaude</b>
15		---	00-297808-010	=		<b>Kaltwasser / cold water / eau froide</b>
16		---	00-774810-001	=		
17		---	00-735171-002	=		
18		---	01-243891-002	=		
19		---	00-168611-009	=		
20		---	01-245560-003	=		
21		---	00-897686-001	=		
22		---	01-245571-002	=		L=2000 mm
23		---	01-291709-001	=		
24		---	00-229110-002	=		
25		---	01-291708-001	=		
26		---	00-897668-001	=		
27		---	00-603076-000	=		
28		---	00-774034-001	=		
29		---	00-774010-001	=		
30		---	01-296094-001	=		

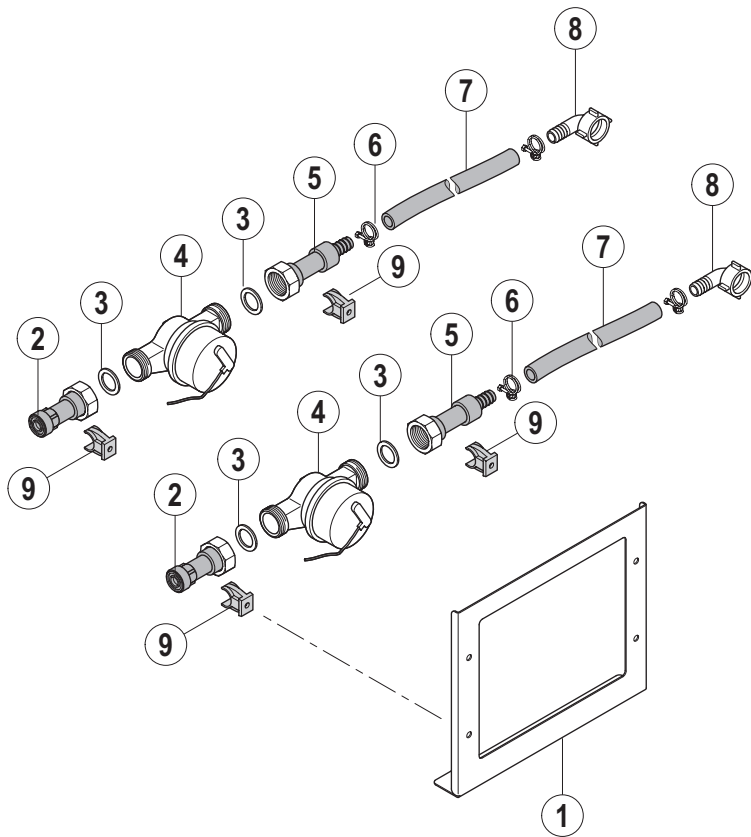
13.3



vsezip.ru  
+7(812)987-08-81

Pos.	A	B			X [mm]	Bemerkung / Remarks / Remarques
		CS	CN	CP		
01		---	01-291436-001	---		
02		---	01-291662-001	---		
03		---	00-774670-001	---		
04		---	00-172986-027	---		
05		---	00-227931-000	---		
06		---	00-299240-001	---		
07		---	00-323945-022	---		
08		---	01-245571-013	---		L=1200 mm
09		---	00-168611-022	---		
10		---	00-600588-000	---		
11		---	00-323945-064	---		
12		---	00-693255-031	---		
13		---	00-897662-...	---		siehe Schaltplan / see wiring diagram / voir schéma de câblage
14		---	00-297808-008	---		Kaltwasser / cold water / eau froide
15		---	00-297808-012	---		Warmwasser / hot water / eau chaude
16		---	00-775112-002	---		
17		---	00-897686-001	---		
18		---	01-245571-002	---		L=2000 mm
19		---	00-735171-002	---		
20		---	01-291709-002	---		
21		---	01-245694-002	---		
22		---	00-227931-000	---		
23		---	00-297808-001	---		
24		---	00-168611-009	---		
25		---	01-245693-001	---		
26		---	00-897668-001	---		
27		---	00-603076-000	---		
28		---	01-245560-005	---		
29		---	00-302201-001	---		
30		---	00-774034-001	---		
31		---	00-774010-001	---		
32		---	01-296094-001	---		

13.4



vsezip.ru  
+7(812)987-08-81

Pos.	A	B			X [mm]	Bemerkung / Remarks / Remarques
		CS	CN	CP		
01		01-291298-001	=	=		
02		01-291004-002	=	=		
03		00-168611-003	=	=		
04		01-244744-002	=	=		
05		01-291004-006	=	=		
06		00-323945-022	=	=		
07		01-245571-014	=	=		L=500 mm
08		00-299240-001	=	=		
09		00-228810-002	=	=		



Füllung über sep. Füllboiler – Option  
Filling via separate boiler – option  
Remplissage via chaudière séparée – option

CN / CS / CP

всёобщепит

vsezip.ru

+7(812)987-08-81

13.5





**Зип Общепит**  
**vsezip.ru**  
**+7(812)987-08-81**

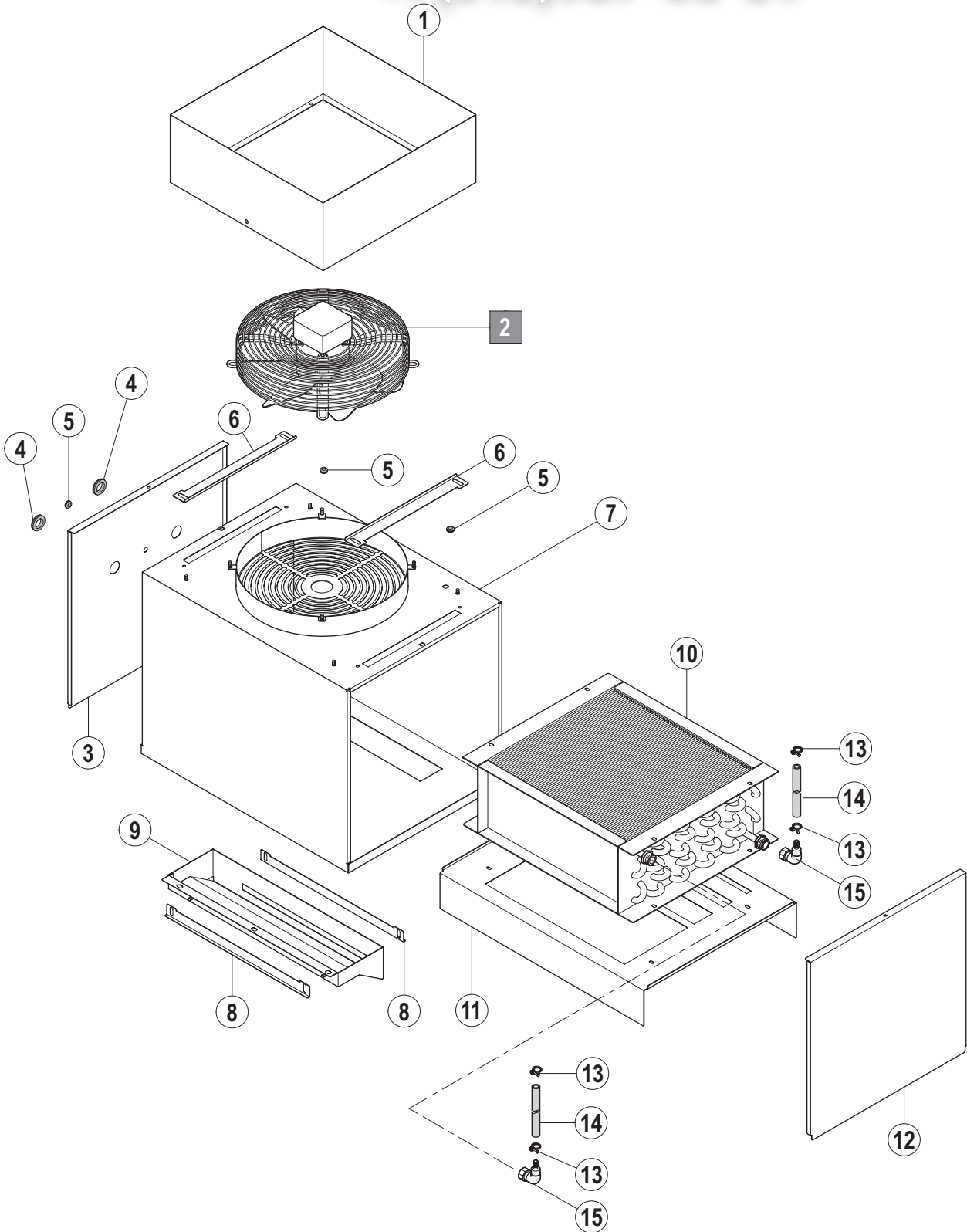
**Зип Общепит**  
**vsezip.ru**  
**+7(812)987-08-81**

**CS / CN / CP**

**Wärmerückgewinnung**

**Heat recovery**

**Récupération de la chaleur**

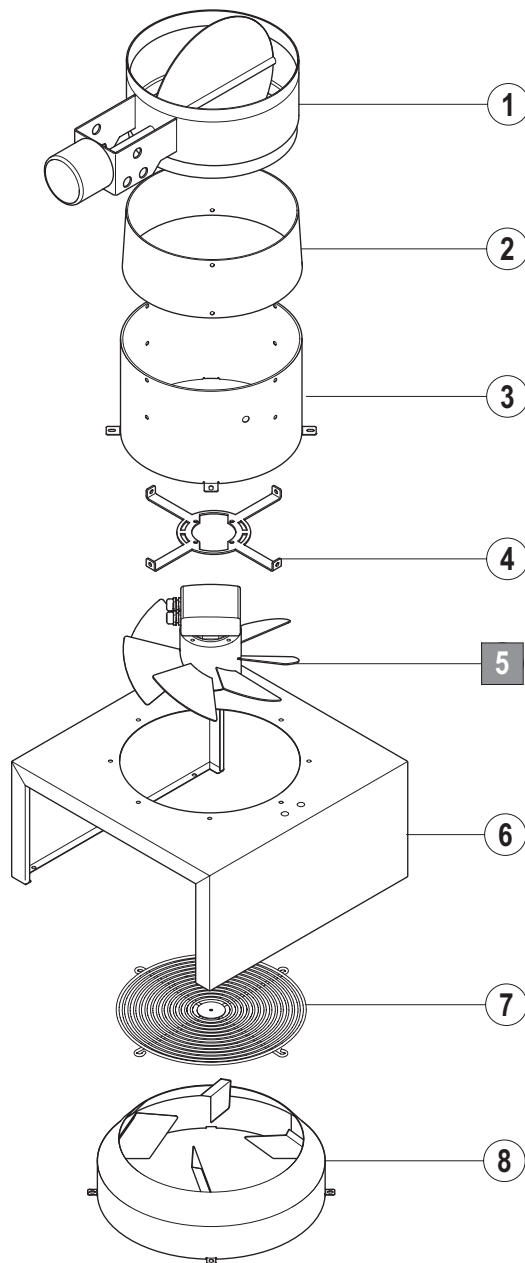


14.1

vsezip.ru

+7(812)987-08-81

Pos.	A	B			X [mm]	Bemerkung / Remarks / Remarques
		CS	CN	CP		
01		---	01-245744-002	=		
02		---	00-781492-...	=		siehe Schaltplan / see wiring diagram / voir schéma de câblage
03		---	01-245206-003	=		
04		---	00-227748-004	=		
05		---	00-227748-001	=		
06		---	01-291395-002	=		
07		---	01-291392-001	=		
08		---	01-291395-001	=		
09	L/R	---	01-291394-001	=		
	R/L	---	01-291394-002	=		
10		---	01-245490-007	=		standard
		---	01-245490-008	=		CrNi / SST / inox
11		---	01-245274-004	=		
12		---	01-245206-001	=		
13		---	00-323945-022	=		
14		---	01-245571-002	=		L=2000 mm
15		---	00-299240-001	=		



14.3

Автомобильный  
vsezip.ru  
+7(812)987-08-81

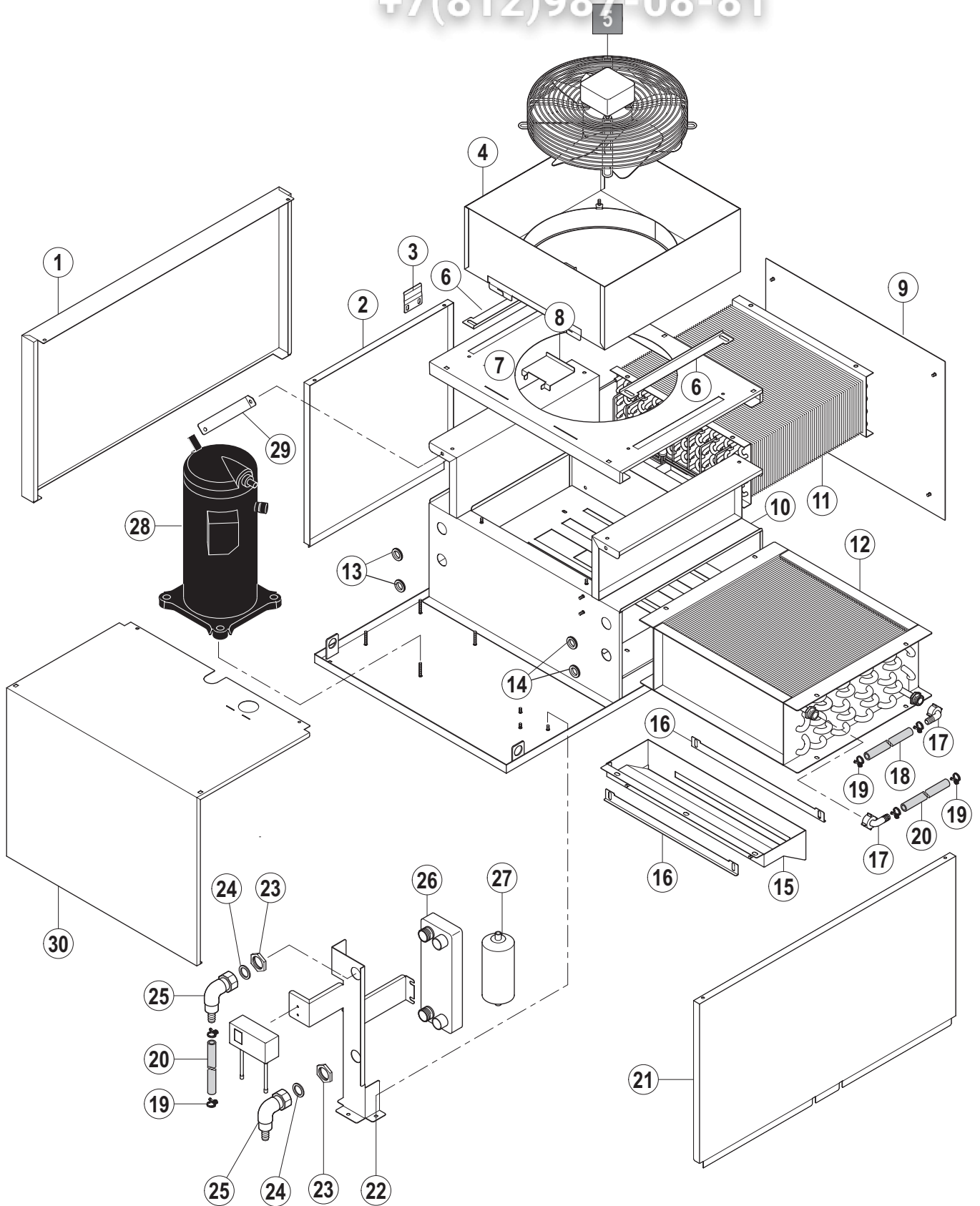
Pos.	A	B			X [mm]	Bemerkung / Remarks / Remarques
		CS	CN	CP		
01		---	00-296927-...	=		siehe Schaltplan / see wiring diagram / voir schéma de câblage
02		---	01-245752-001	=		
03		---	01-245746-001	=		
04		---	01-245747-001	=		
05		---	00-775078-...	=		siehe Schaltplan / see wiring diagram / voir schéma de câblage
06		---	01-245745-003	=		
07		---	00-896396-001	=		
08		---	00-781353-001	=		

**Зип Общепит**  
**vsezip.ru**  
**+7(812)987-08-81**



**Зип Общепит**  
**vsezip.ru**  
**+7(812)987-08-81**

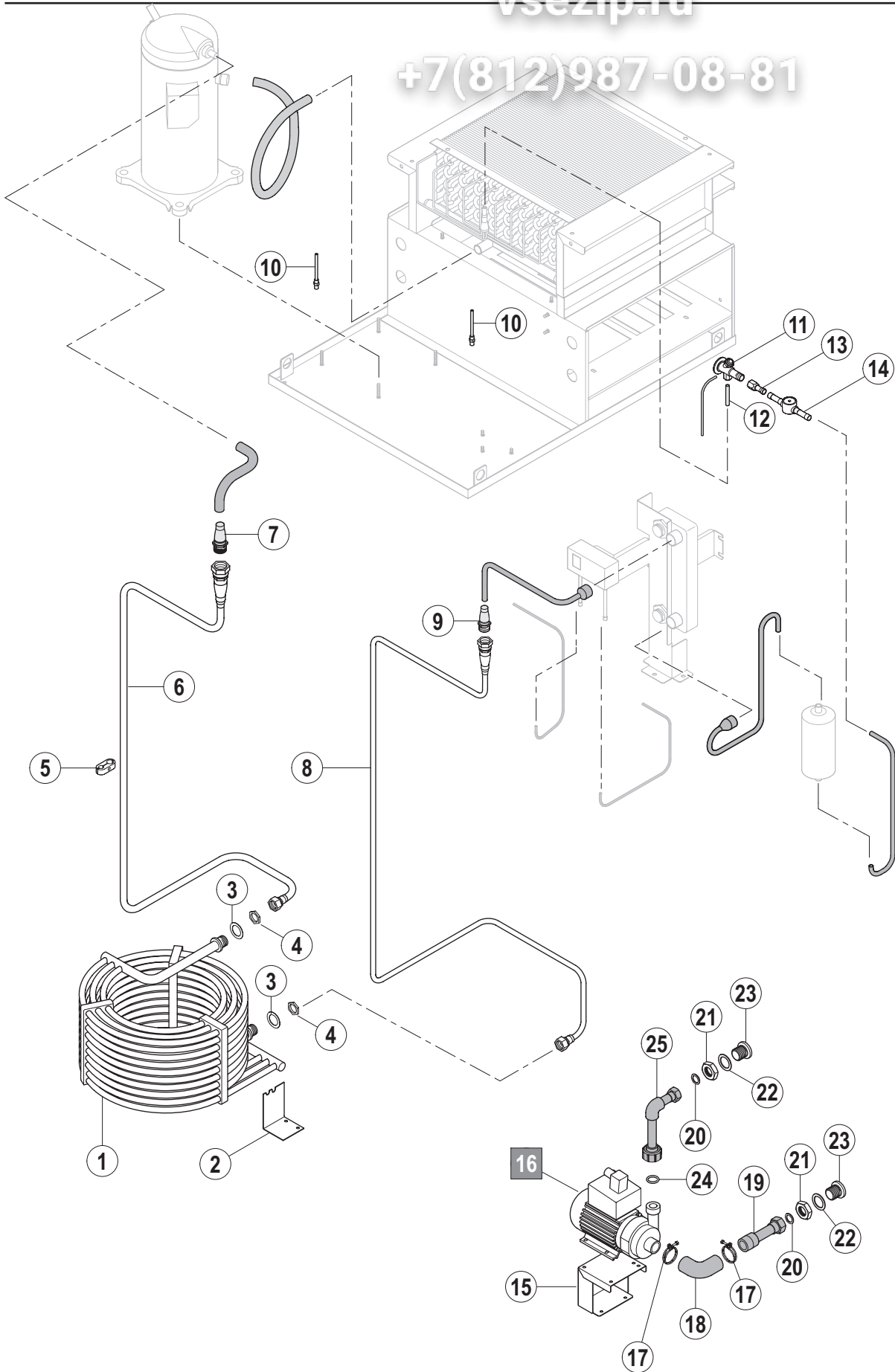
**CS / CN / CP**  
**Wärmepumpe**  
**Heat pump**  
**Pompe à chaleur**



15.1

vsezip.ru  
+7(812)987-08-81

Pos.	A	B			X [mm]	Bemerkung / Remarks / Remarques
		CS	CN	CP		
01		---	01-291604-001	=		
02		---	01-296226-001	=		
03		---	01-291605-001	=		
04		---	01-291595-001	=		
05		---	00-781492-...	=		siehe Schaltplan / see wiring diagram / voir schéma de câblage
06		---	01-291395-002	=		
07		---	01-291589-001	=		
08		---	01-291837-001	=		
09		---	01-291593-001	=		
10		---	01-291588-001	=		
11		---	00-887639-001	=		
12		---	01-245490-007	=		
13		---	00-785565-004	=		
14		---	00-227748-004	=		
15	L/R	---	01-291394-001	=		
	R/L	---	01-291394-002	=		
16		---	01-291395-001	=		
17		---	00-299240-001	=		
18		---	01-245571-014	=		L=500 mm
19		---	00-323945-022	=		
20		---	01-245571-002	=		L=2000 mm
21		---	01-245548-001	=		
22		---	01-245549-001	=		
23		---	00-172739-008	=		
24		---	00-168611-003	=		
25		---	01-245560-001	=		
26		---	00-323456-001	=		
27		---	00-323443-000	=		
28		---	00-323437-002	=		
29		---	01-245722-001	=		
30		---	01-291591-001	=		



15.2

vsezip.ru  
+7(812)987-08-81

Pos.	A	B			X [mm]	Bemerkung / Remarks / Remarques
		CS	CN	CP		
01		---	01-291581-001	=		
02		---	01-296021-001	=		
03		---	00-696936-018	=		
04		---	00-172739-013	=		
05		---	00-897282-001	=		
06	L/R	---	01-291606-001	=		
	R/L	---	01-291598-002	=		
07		---	00-896909-001	=		
08	L/R	---	01-291599-001	=		
	R/L	---	01-291607-001	=		
09		---	00-775080-001	=		
10		---	00-323447-000	=		
11		---	00-775082-001	=		
12		---	00-323439-004	=		
13		---	00-324439-002	=		
14		---	00-323444-000	=		
15		---	01-296093-002	=		
16		---	00-781237-...	=		siehe Schaltplan / see wiring diagram / voir schéma de câblage
17		---	00-323945-043	=		
18		---	00-781336-004	=		
19		---	01-291664-001	=		
20		---	00-168611-009	=		
21		---	00-603061-000	=		
22		---	00-300084-007	=		
23		---	00-774953-001	=		
24		---	00-067500-072	=		
25	L/R	---	01-291665-001	=		
	R/L	---	01-291665-002	=		

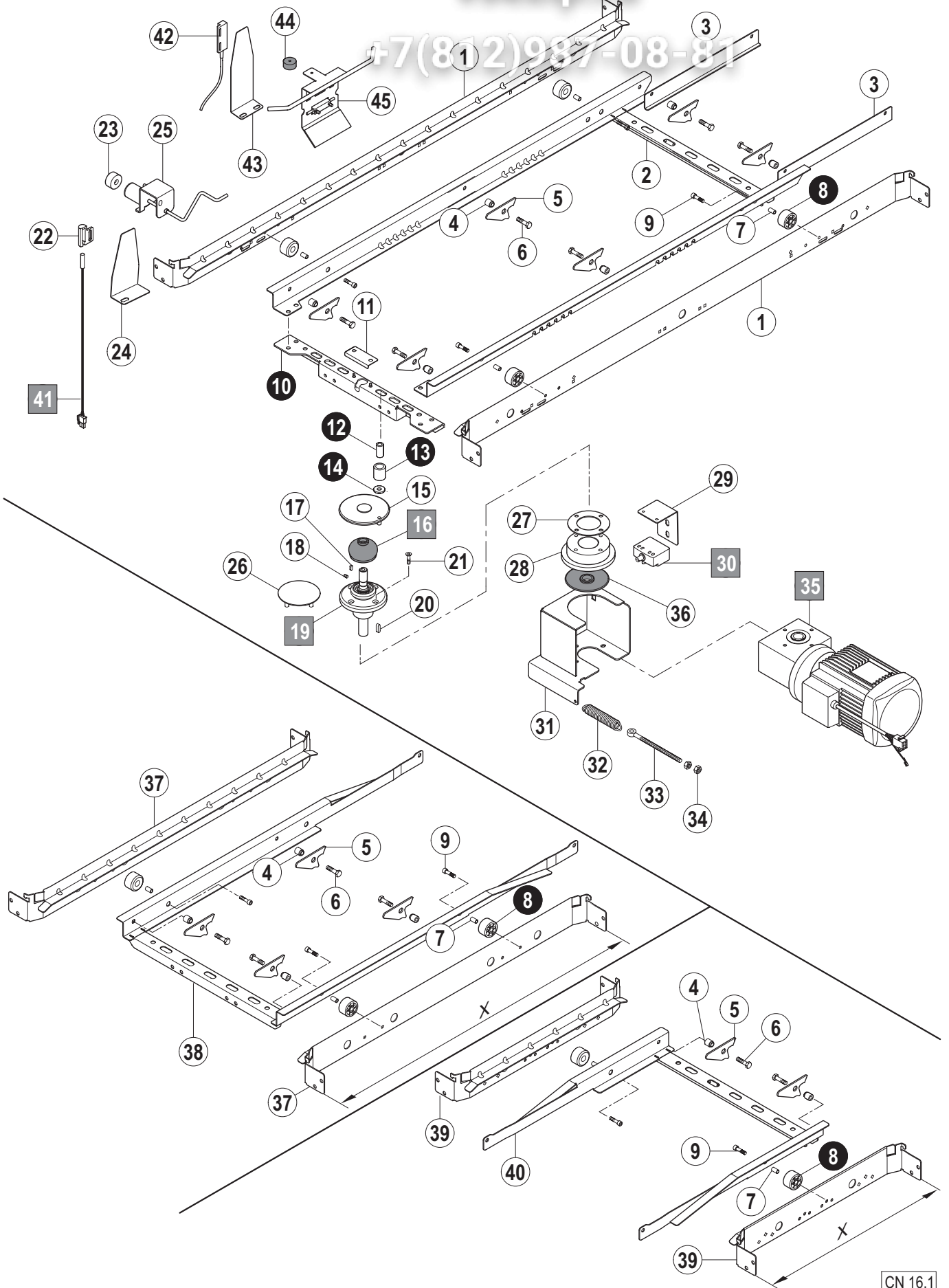
**Зип Общепит**  
**vsezip.ru**  
**+7(812)987-08-81**

**Зип Общепит**  
**vsezip.ru**  
**+7(812)987-08-81**

**CS / CN / CP**  
**Transportsystem**  
**Transport system**  
**Système de convoyage**

vsezip.ru

+7(812)987-08-81



16.1

CN 16.1



vsezip.ru

+7(812)987-08-81

Pos.	A	B			X [mm]	Bemerkung / Remarks / Remarques
		CS	CN	CP		
01		01-291368-001	=			
02		01-291375-001	=			
03		---	01-291881-001	=		SN-Modul
04		01-243284-000	=			
05		01-291371-001	=			
06		00-602579-000	=			
07		01-291535-001	=			
08		01-291534-001	=			
09		00-603026-000	=			
10		01-291772-001	=			
11		00-868312-001	=			
12		00-154795-000	=			
13		00-154789-000	=			
14		00-781490-001	=			
15		00-781117-001	=			
16		00-154791-000	=			
17		00-600681-000	=			
18		00-600682-000	=			
19		00-781064-004	=			
20		00-600683-000	=			
21		00-609794-000	=			
22		---	01-240288-001	=		
23		---	00-774714-001	=		
24		---	01-291513-001	=		
	L/R	---	01-291774-001	=		E-Modul
	R/L	---	01-291774-002	=		E-Modul
25	L/R	---	01-242189-001	=		
	R/L	---	01-242189-002	=		
26		---	00-899210-001	=		SN-Modul
27		00-781007-001	=			
28		01-291529-001	=			
29		01-291387-001	=			
30		00-785286-001	=			
31	L/R	01-291888-001	=			
	R/L	01-291888-002	=			
32		00-774828-002	=			
33		00-602920-000	=			
34		00-603488-000	=			
35		01-291291-...	=			siehe Schaltplan / see wiring diagram / voir schéma de câblage
36		01-241802-001	=			
37		01-291368-004	=		500	E-Modul
		---	01-291368-003	=	650	L-Modul
		---	01-291368-002	=	900	S-Modul
38		01-291375-004	=		500	E-Modul
		---	01-291375-003	=	650	L-Modul
		---	01-291375-002	=	900	S-Modul
39		---	01-291368-005	=	850	CDS /DS
		---	01-291368-006	=	450	ND
		01-291368-003	---	---	650	D- Trocknung / D- dryer / D- séchage
		---	01-291368-009	=	650	Spülmodul / rinse module / module de rinçage

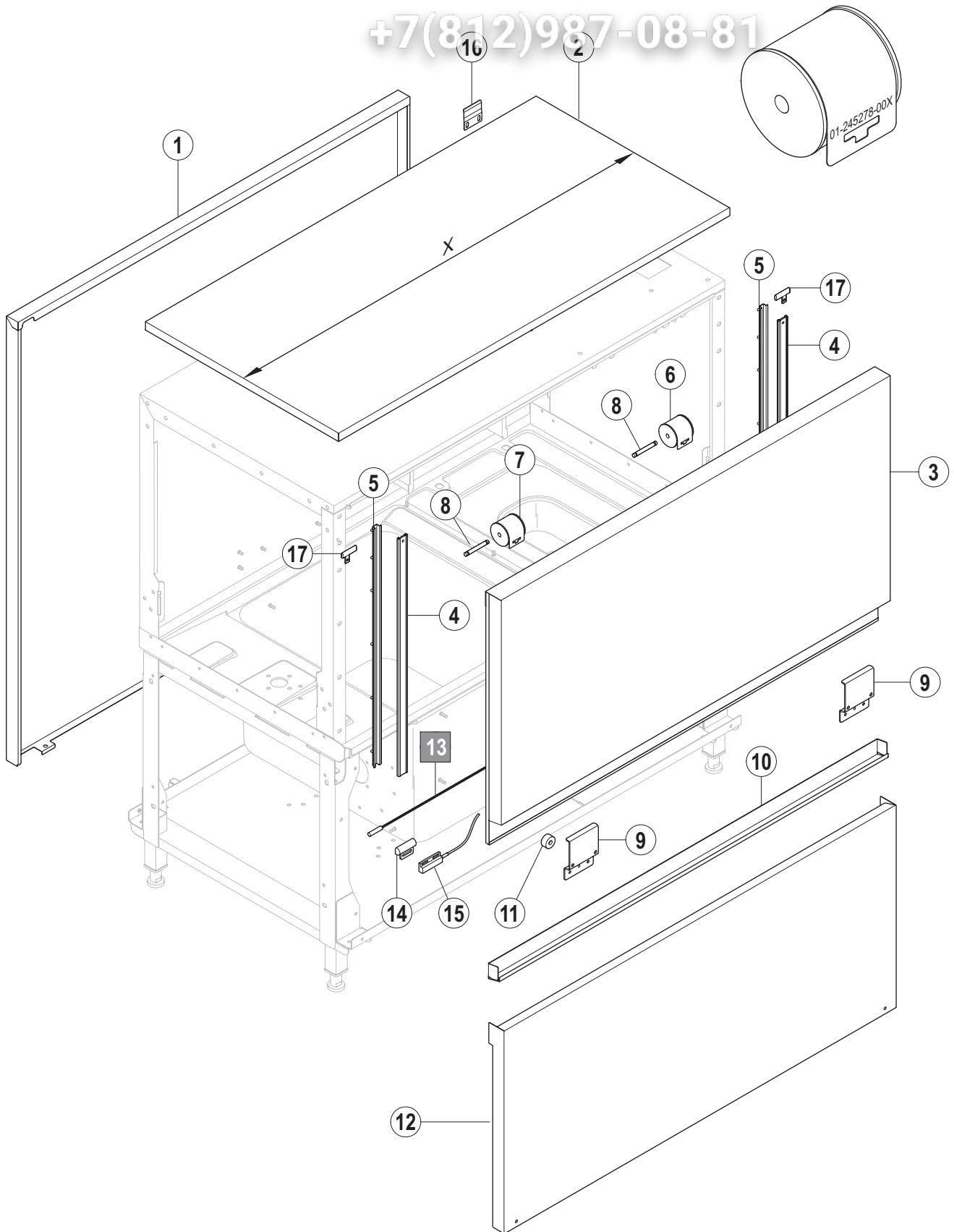
16.1

vsezip.ru  
+7(812)987-08-81

Pos.	A	B			X [mm]	Bemerkung / Remarks / Remarques
		CS	CN	CP		
40		---	01-291375-005	=	350	ND
		---	01-291375-006	=	450	ND
		01-291375-003	=	=	650	D- Trocknung / D- dryer / D- séchage
		---	01-291375-008	=	650	Spülmodul / rinse module / module de rinçage
41		---	00-883838-001	=		
42		00-229517-000	---	---		
43		01-291804-001	---	---		
44		00-774714-001	---	---		
45		01-291802-001	---	---		

**Зип Общепит**  
**vsezip.ru**  
**+7(812)987-08-81**

**CS / CN / CP**  
**Türen und Verkleidungen**  
**Doors and panels**  
**Portes et panneaux**



17.1

vsezip.ru

Pos.	A	B			X [mm]	Bemerkung / Remarks / Remarques
		CS	CN	CP		
01		01-291317-005	01-291317-001	---	1350	ohne Isolierung / without insulation / sans isolation
		---	01-291317-002	---	900	ohne Isolierung / without insulation / sans isolation
		---	01-291317-003	---	650	ohne Isolierung / without insulation / sans isolation
		01-291317-006	01-291317-004	---	500	ohne Isolierung / without insulation / sans isolation
		---	01-291317-008	=	300	ohne Isolierung / without insulation / sans isolation
		---	01-291711-001	=	1350	mit Isolierung / with insulation / avec isolation
		---	01-291711-002	=	900	mit Isolierung / with insulation / avec isolation
		---	01-291711-003	=	650	mit Isolierung / with insulation / avec isolation
02		01-291397-006	01-291397-001	---	850	ohne Isolierung / without insulation / sans isolation
		01-291397-002	=	---	900	ohne Isolierung / without insulation / sans isolation
		---	01-291397-003	---	650	ohne Isolierung / without insulation / sans isolation
		01-291397-004	=	---	500	ohne Isolierung / without insulation / sans isolation
		---	01-291397-005	---	450	ohne Isolierung / without insulation / sans isolation
		01-291397-006	=	---	1350	ohne Isolierung / without insulation / sans isolation
		---	01-291397-007	---	300	ohne Isolierung / without insulation / sans isolation
		---	01-291398-001	=	850	mit Isolierung / with insulation / avec isolation
		---	01-291398-002	=	900	mit Isolierung / with insulation / avec isolation
		---	01-291398-003	=	650	mit Isolierung / with insulation / avec isolation
		---	01-291398-004	=	500	mit Isolierung / with insulation / avec isolation
		---	01-291398-005	=	450	mit Isolierung / with insulation / avec isolation
03		01291320-005	---	---	1350	ohne Isolierung / without insulation / sans isolation
		01291321-001	=	=	1350	mit Isolierung / with insulation / avec isolation
		---	01291321-002	=	900	mit Isolierung / with insulation / avec isolation
		---	01291321-003	=	650	mit Isolierung / with insulation / avec isolation
		---	01291321-004	=	500	mit Isolierung / with insulation / avec isolation
04		00-325064-008	=	=		
05		01-245126-003	=	=		
06		01-245278-004	---	---	1350	Tür ohne Isolierung / door without insulation / porte sans isolation
		01-245278-007	=	=	1350	Tür mit Isolierung / door with insulation / porte avec isolation
		---	01-245278-005	=	900	Tür mit Isolierung / door with insulation / porte avec isolation
		---	01-245278-003	=	650	Tür mit Isolierung / door with insulation / porte avec isolation
		---	01-245278-002	=	500	Tür mit Isolierung / door with insulation / porte avec isolation
07		01-245278-003	=	=	1350	Tür ohne Isolierung / door without insulation / porte sans isolation
		01-245278-006	=	=	1350	Tür mit Isolierung / door with insulation / porte avec isolation
		---	01-245278-005	=	900	Tür mit Isolierung / door with insulation / porte avec isolation
		---	01-245278-003	=	650	Tür mit Isolierung / door with insulation / porte avec isolation
		---	01-245278-002	=	500	Tür mit Isolierung / door with insulation / porte avec isolation
08		01-245281-001	=	=		
09		01-245127-001	=	=	1350	
		---	01-245127-001	=	900	
		---	01-245127-003	=	650	
		---	01-245279-001	=	500	
10		01-245129-005	=	=	1350	
		---	01-245129-002	=	900	
		---	01-245129-006	=	650	
		---	01-245129-004	=	500	
11		00-774714-001	=	=		

17.1

vsezip.ru

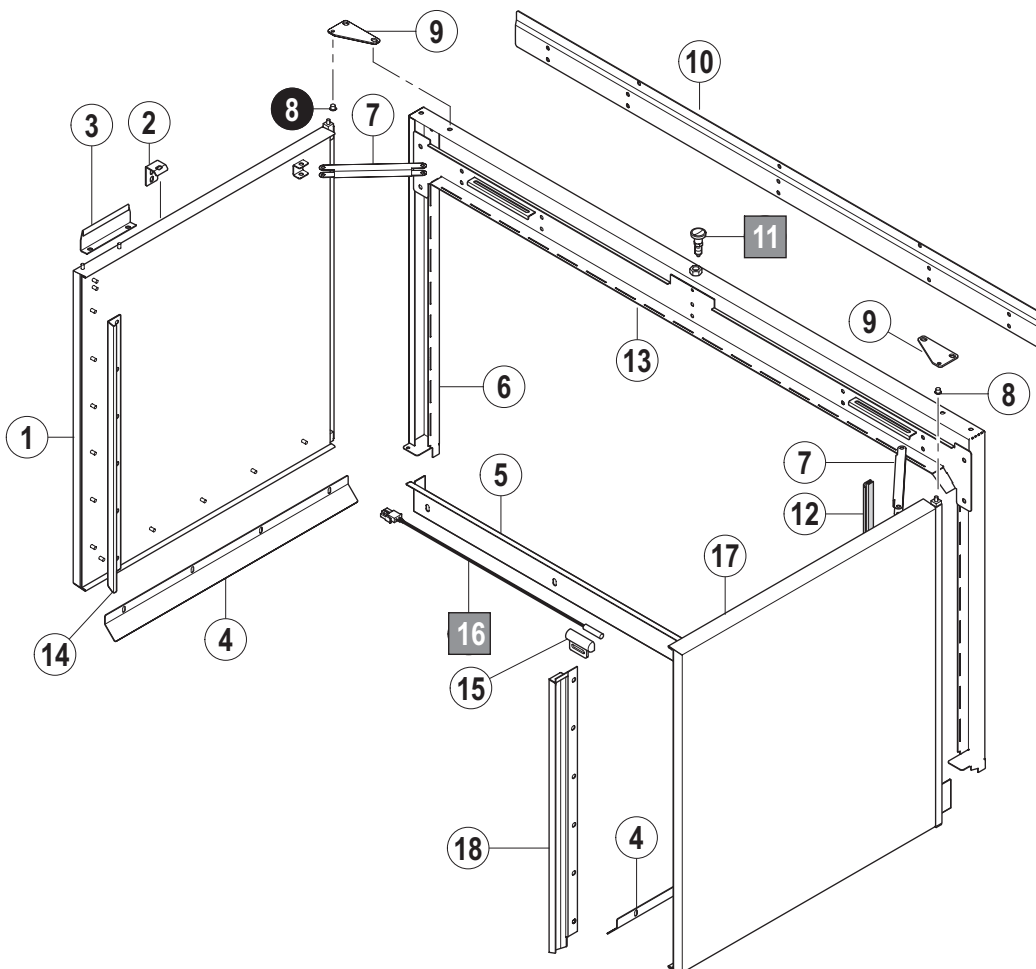
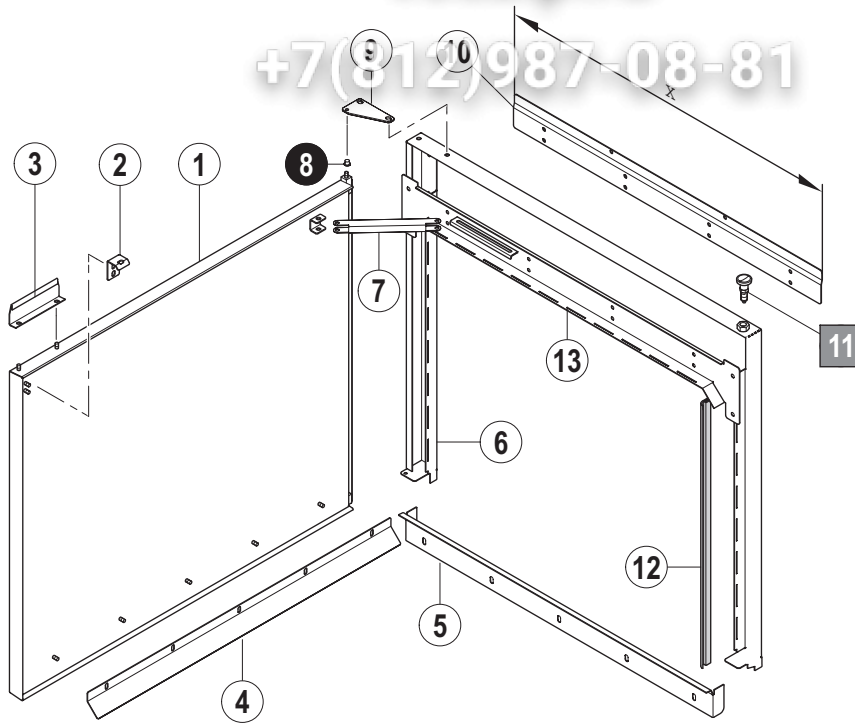
+7(812)987-08-81

Pos.	A	B			X [mm]	Bemerkung / Remarks / Remarques
		CS	CN	CP		
12	L/R	01-291787-001	---	---	1350	
	R/L	01-291787-002	---	---	1350	
		---	01-291787-004	----	1350	ohne Vorwaschung / without prewash / sans pré lavage
	L/R	---	01-291787-005	01-291407-010	1350	mit Vorwaschung / with prewash / avec pré lavage
	R/L	---	01-291787-006	01-291407-010	1350	mit Vorwaschung / with prewash / avec pré lavage
	L/R	---	01-291407-004	=	900	S- Modul
	R/L	---	01-291407-005	=	900	S- Modul
		---	01-291407-011	=	900	A- Modul
	L/R	---	01-291407-006		650	L-Modul
	R/L	---	01-291407-007		650	L-Modul
		---	01-291407-008		650	Spülmodul / rinse module / module de rinçage
	---	01-291407-009		500		
13		---	01-240288-001	---		
14		---	00-883838-001	---		
15		00-229517-000	---	---		
16		01-291605-001	=	=		
17		01-291426-001	=	=		

**Зип Общепит**  
**vsezip.ru**  
**+7(812)987-08-81**

vsezip.ru

+7(812)987-08-81



17.2



vsezip.ru  
+7(812)987-08-81

Pos.	A	B			X [mm]	Bemerkung / Remarks / Remarques
		CS	CN	CP		
01		01-245985-011	=	=	500	
		01-245985-012	=	=	650	
		01-245985-013	=	=	900	
		01-245985-014	=	=	1350	
02		01-247015-002	=	=		
03		00-896817-002	=	=		
04		01-243888-001	=	=	500	
		01-243888-002	=	=	650	
		01-243888-004	=	=	900	
		01-243888-014	=	=	1350	
05		01-245988-003	=	=	500	
		01-245988-002	=	=	650	
		01-245988-001	=	=	900	
		01-245988-006	=	=	1350	
06		01-291979-003	=	=	500	
		01-291979-002	=	=	650	
		01-291979-001	=	=	900	
		01-291979-004	=	=	1350	
07		01-245990-001	=	=		
08		00-298963-014	=	=		
09		00-784243-001	=	=		
10		01-291062-003	=	=	500	
		01-291062-002	=	=	650	
		01-291062-001	=	=	900	
		01-291062-006	=	=	1350	
11		01-247013-001	=	=		
12		01-243873-015	=	=		L=1700 mm
		01-243873-017	=	=		L=2100 mm
		01-243873-021	=	=		L=2600 mm
13		01-245987-003	=	=	500	
		01-245987-002	=	=	650	
		01-245987-001	=	=	900	
		01-245987-006	=	=	1350	
14		01-245996-004	=	=		
15		---	01-240288-001	=		
16		---	00-883838-001	=		
17		01-245985-015	=	=		
18		01-291111-004	=	=		

**Зип Общепит**  
**vsezip.ru**  
**+7(812)987-08-81**

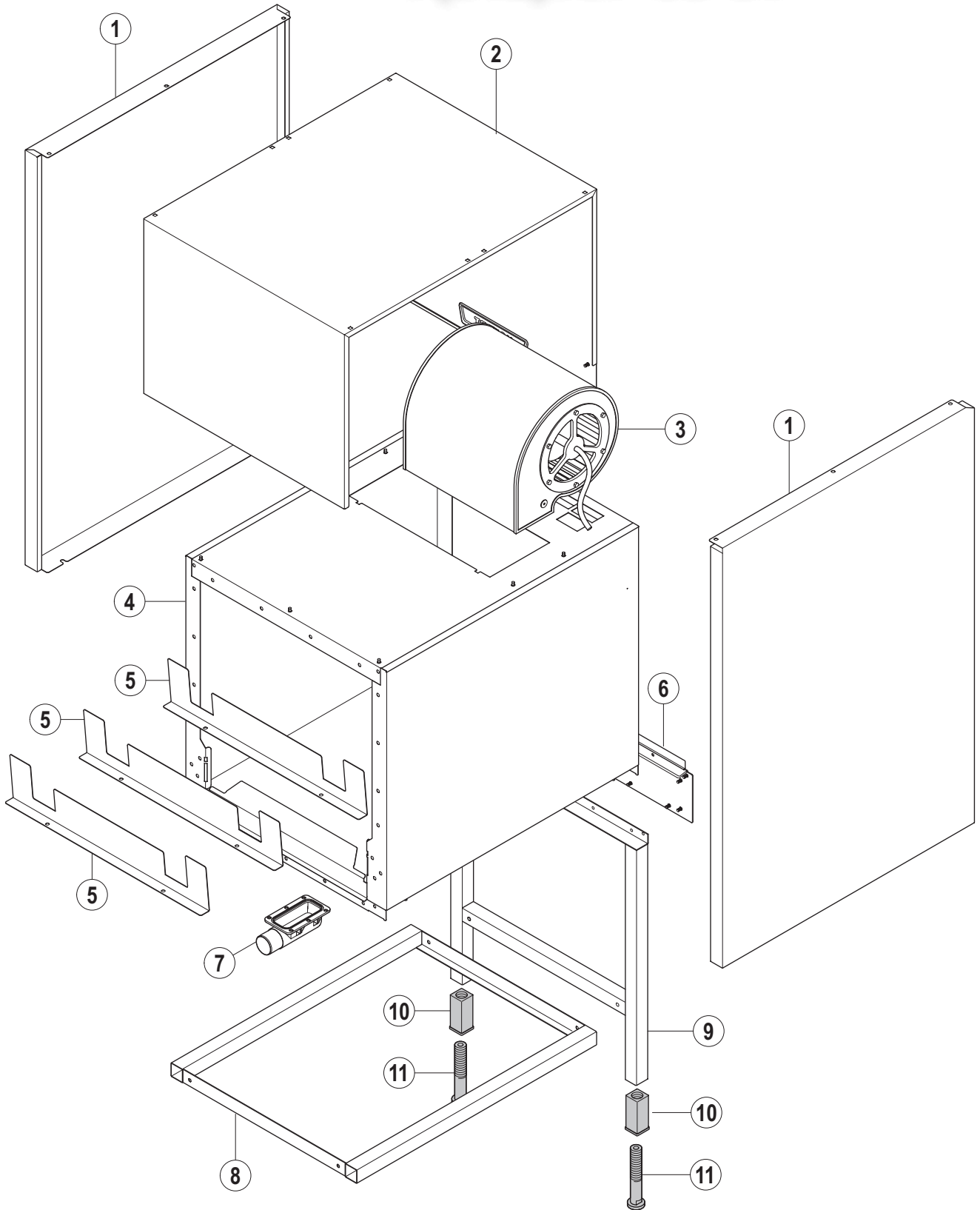
**Зип Общепит**  
**vsezip.ru**  
**+7(812)987-08-81**

**CS / CN / CP**

**Trocknung – gerade**

**Dryer – straight**

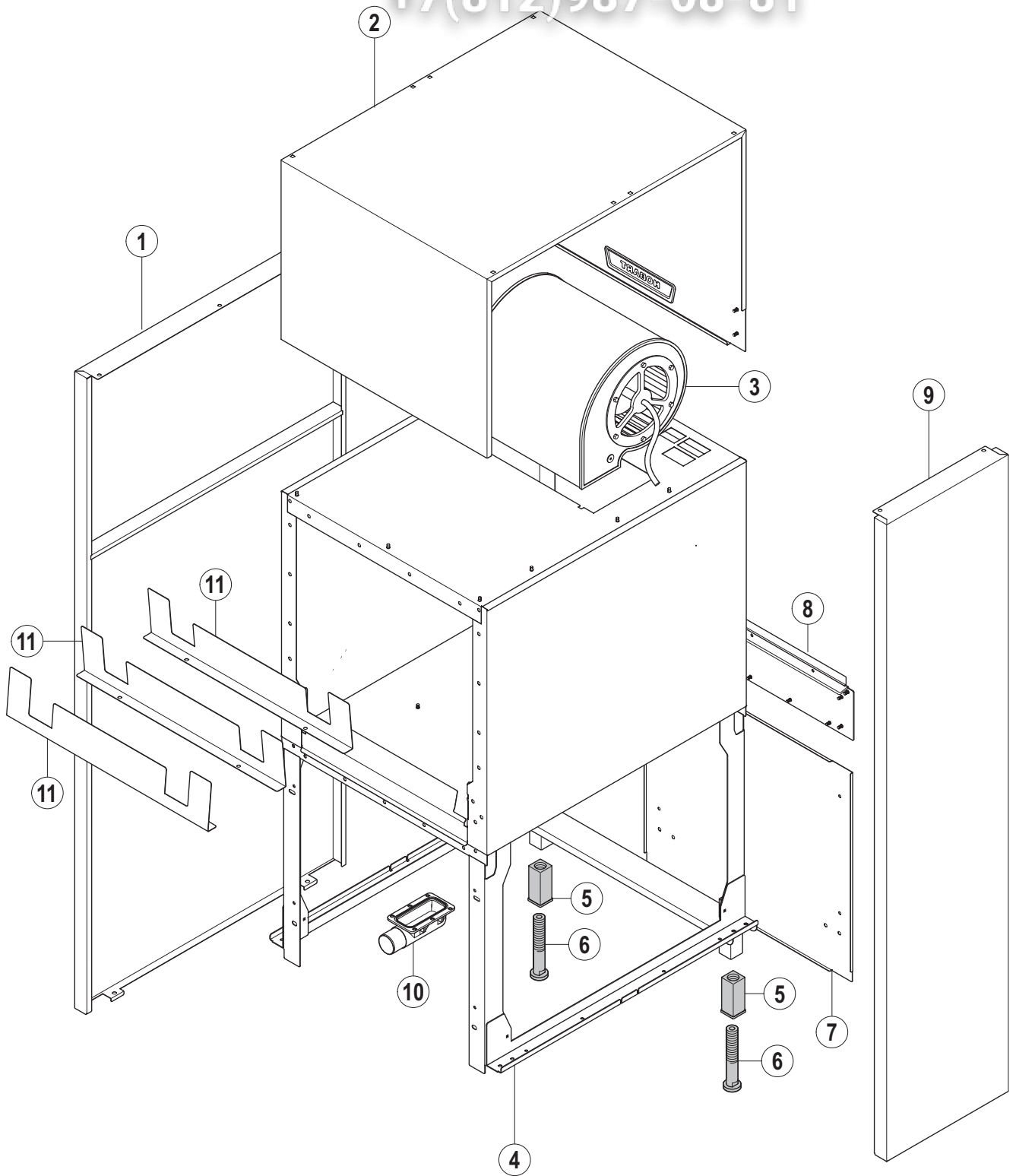
**Séchage – droit**



18.1

Автомобильный  
vsezip.ru  
+7(812)987-08-81

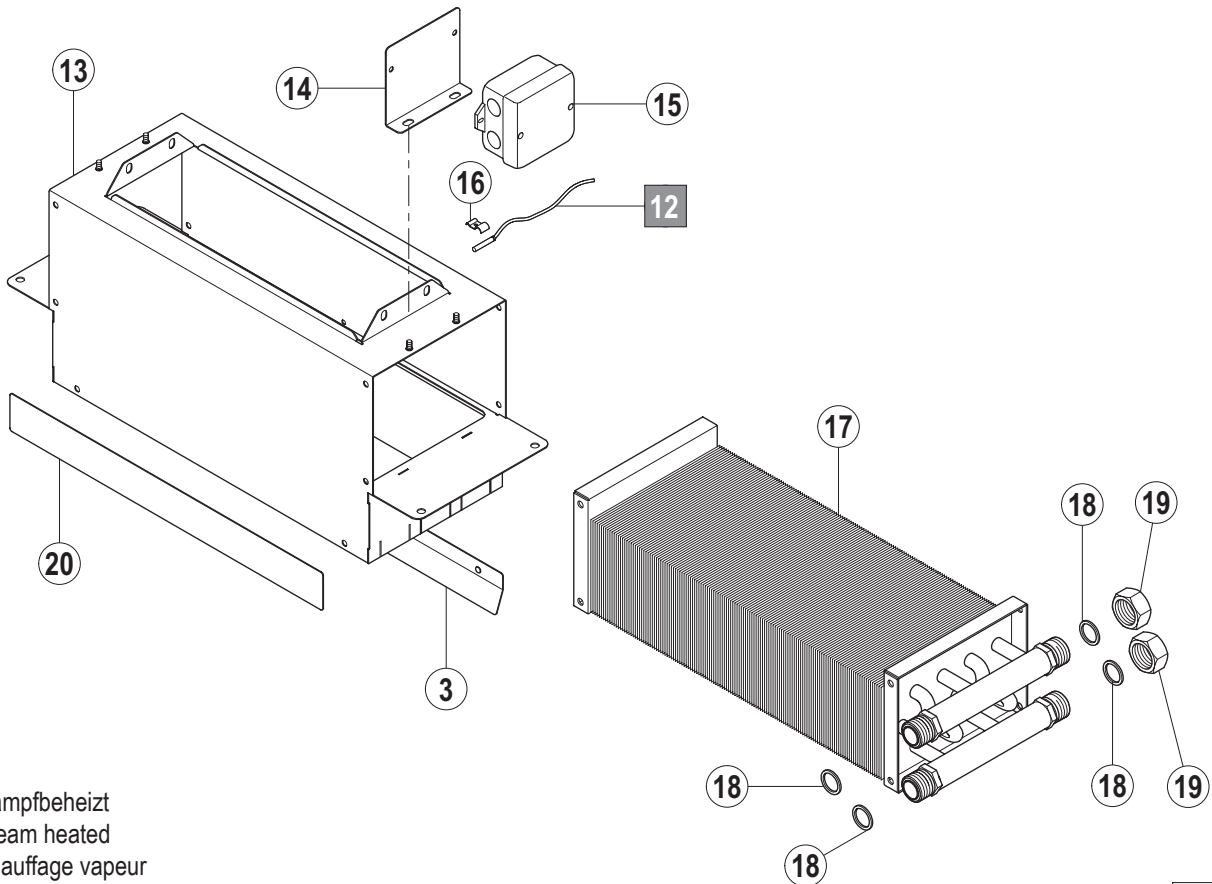
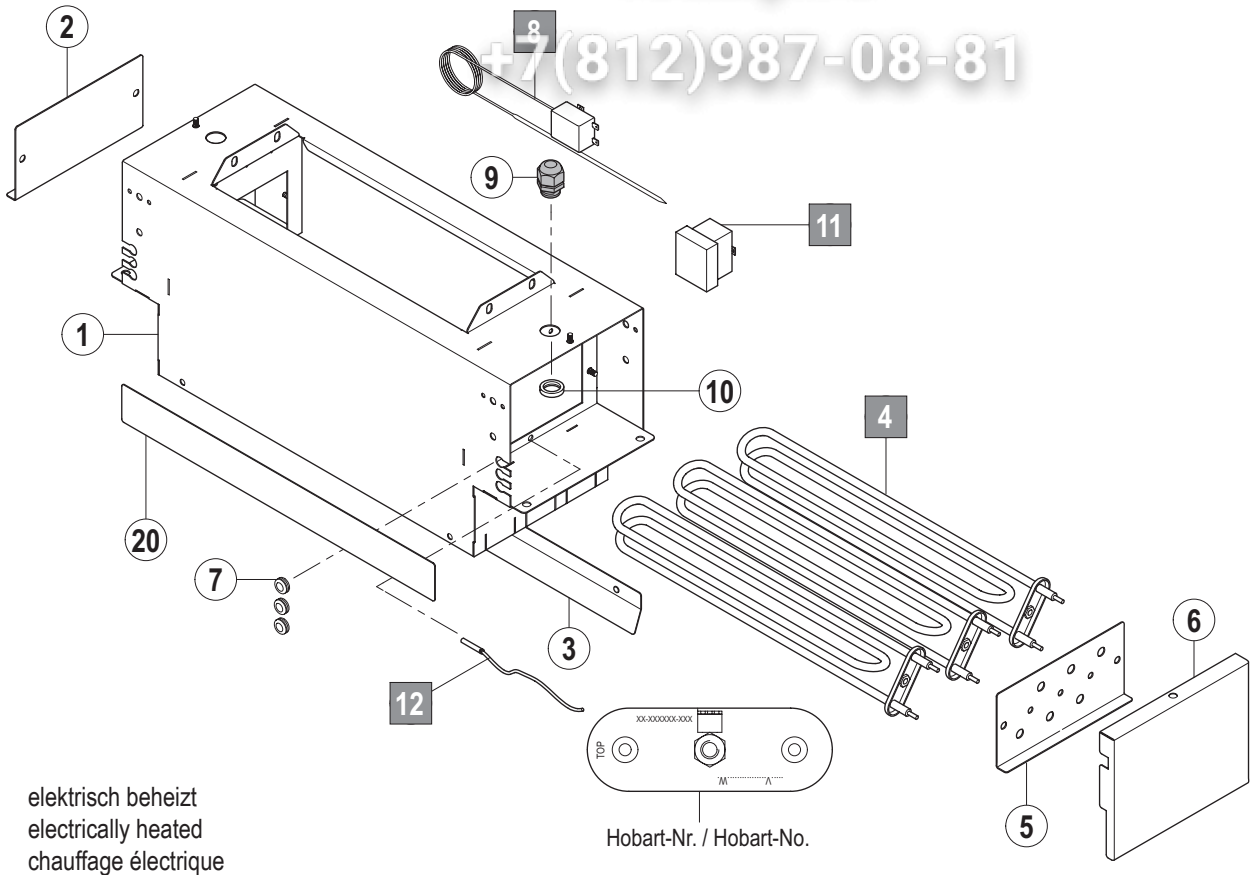
Pos.	A	B			X [mm]	Bemerkung / Remarks / Remarques
		CS	CN	CP		
01		01-291462-002	01-291462-001	---		ohne Isolierung / without insulation / sans isolation
		01-291828-002	01-291828-001	---		mit Isolierung / with insulation / avec isolation
02		01-291453-002	01-291453-001	---		
03		00-897700-...	=	---		siehe Schaltplan / see wiring diagram / voir schéma de câblage
04		01-291451-004	01-291451-001	---		
05		01-291713-001	=	---		
06		01-291429-002	=	---		
07		00-325529-001	=	---		
08		00-378747-377	00-378747-186	---		
09		00-734997-001	=	---		
10		00-325008-001	=	---		
11		00-325007-001	=	---		



18.2

Автомобильный  
vsezip.ru  
+7(812)987-08-81

Pos.	A	B			X [mm]	Bemerkung / Remarks / Remarques
		CS	CN	CP		
01		---	01-291467-001	=		ohne Isolierung / without insulation / sans isolation
		---	01-291829-001	=		mit Isolierung / with insulation / avec isolation
02		---	01-291453-001	=		
03		---	00-897700-...	=		siehe Schaltplan / see wiring diagram / voir schéma de câblage
04		---	01-291518-001	=		
05		---	00-325008-001	=		
06		---	00-325007-001	=		
07		---	01-291419-003	=		
08		---	01-291429-002	=		
09		---	01-291467-002	=		ohne Isolierung / without insulation / sans isolation
		---	01-291829-002	=		mit Isolierung / with insulation / avec isolation
10		---	00-325529-001	=		
11		---	01-291713-001	=		



18.3

CN 18.3



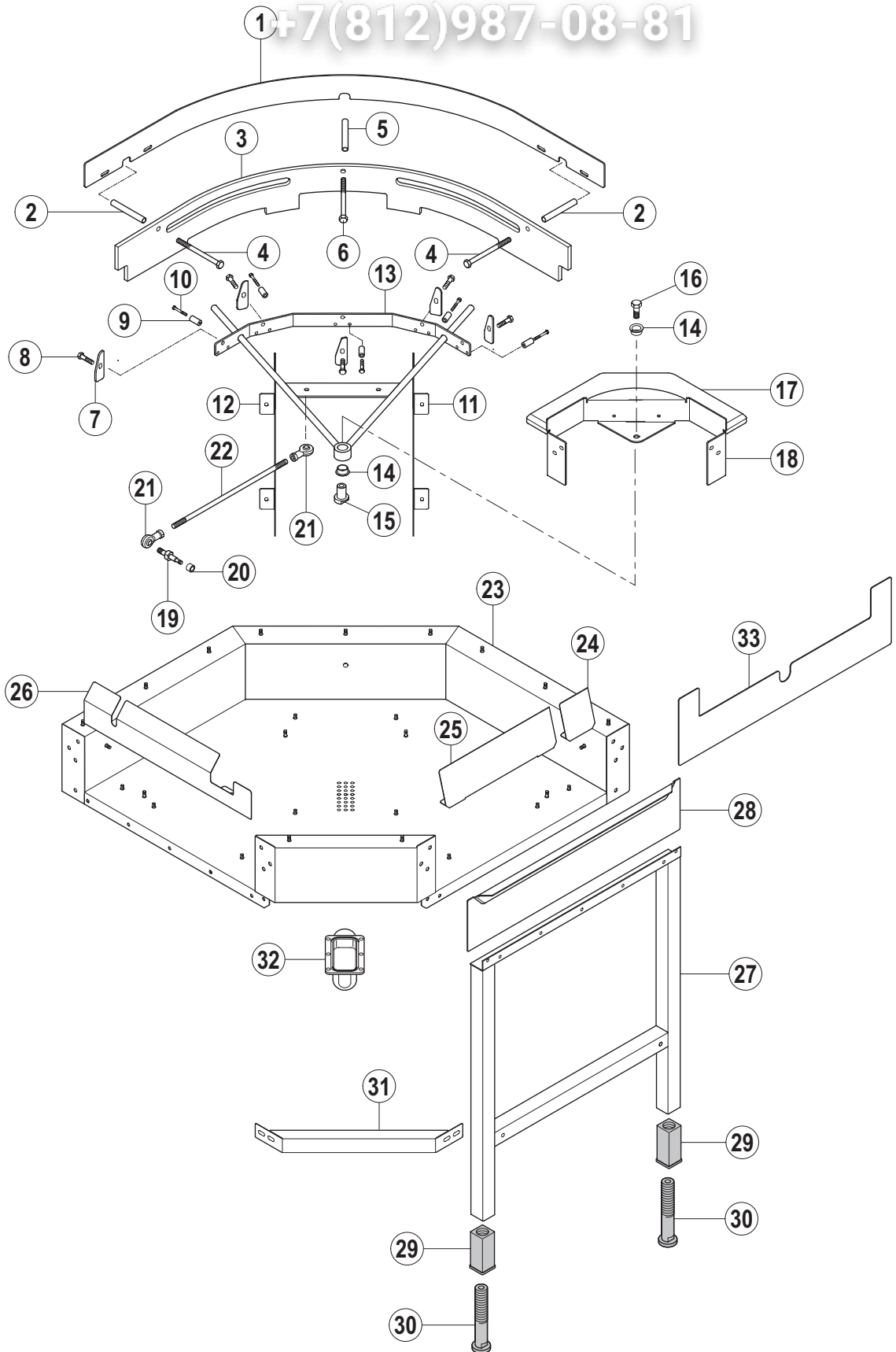
Pos.	A	B			X [mm]	Bemerkung / Remarks / Remarques
		CS	CN	CP		
01		01-291465-001	=	=		
02		01-245214-004	=	=		
03		01-245557-005	=	=		
04		00-229189-...	=	=		Nr. siehe Flansch / no. see flange / no. voir bride
05		01-245554-002	=	=		
06		01-291463-001	=	=		
07		00-227748-001	=	=		
08		00-226505-001	---	---		
09		00-695661-003	=	=		
10		00-695665-003	=	=		
11		00-378791-000	=	=		
12		---	00-775612-001	=		
13		---	01-291894-001	=		
14		---	01-291974-001	=		
15		---	00-232633-000	=		
16		---	00-324157-000	=		
17		---	01-291895-001	=		
18		---	00-302574-014	=		
19		---	01-245605-001	=		
20		---	01-296197-001	=		nur CDC / only CDC / seulement CDC

**Зип Общепит**  
**vsezip.ru**  
**+7(812)987-08-81**

**Зип Общепит**  
**vsezip.ru**  
**+7(812)987-08-81**

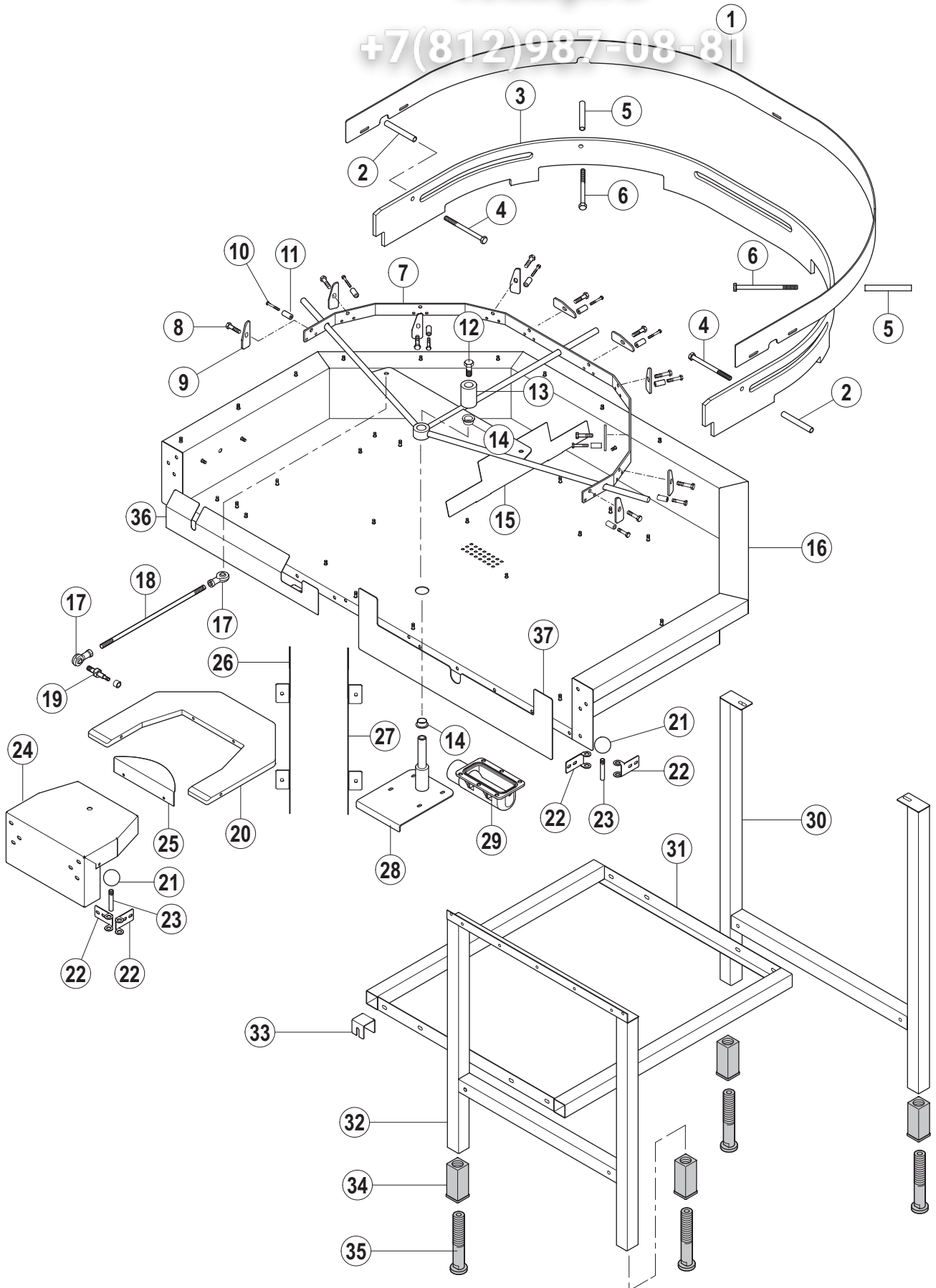
**CS / CN / CP**  
**Transportkurven**  
**Transport curves**  
**Convoyage d'angle**

+7(812)987-08-81



19.1

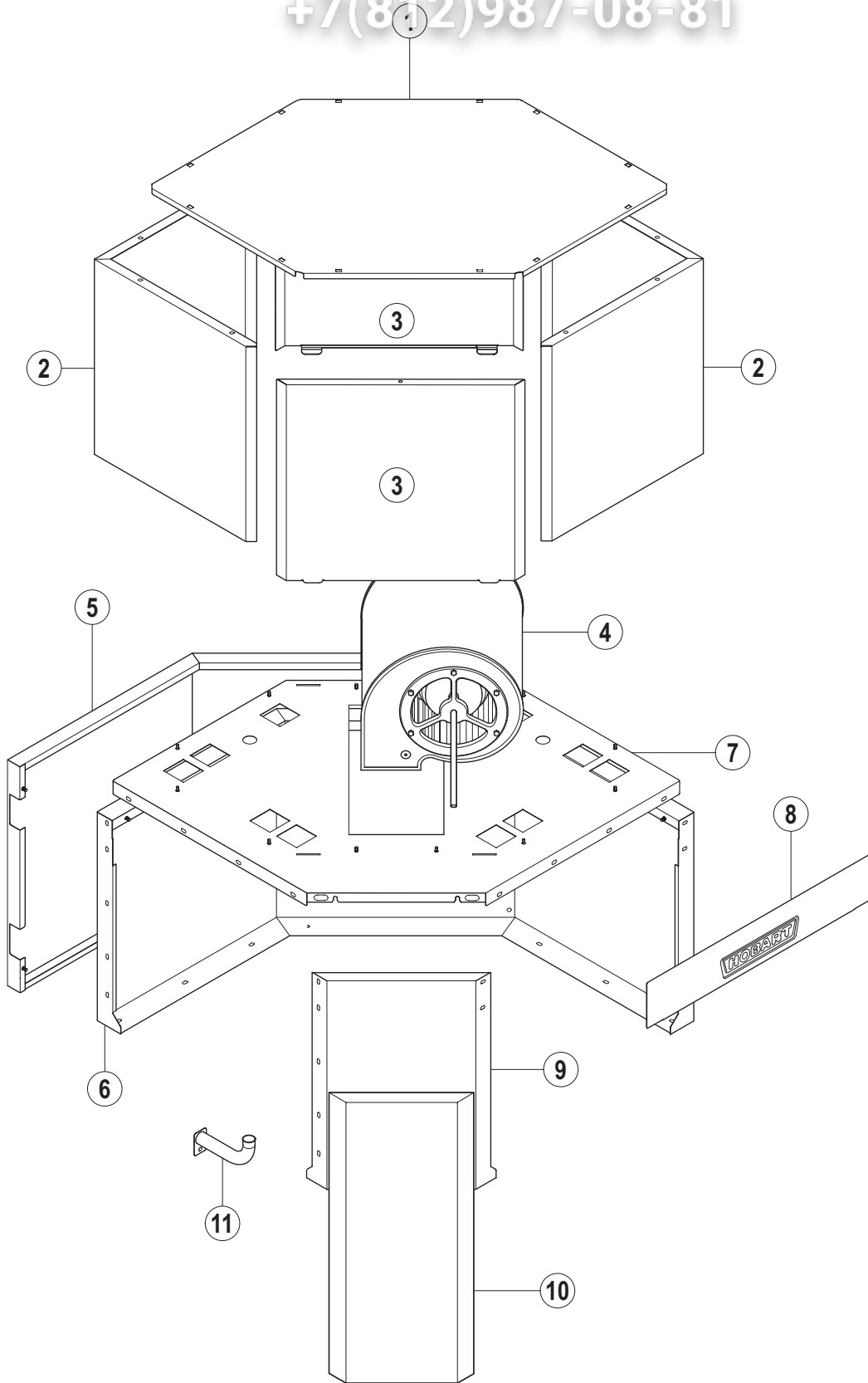
Pos.	A	B			X [mm]	Bemerkung / Remarks / Remarques
		CS	CN	CP		
01		00-896433-001	=	=		
02		00-866524-003	=	=		
03		00-896431-001	=	=		
04		00-603124-000	=	=		
05		00-866524-002	=	=		
06		00-604059-000	=	=		
07		00-897777-001	=	=		
08		00-609313-000	=	=		
09		00-380528-037	=	=		
10		00-602643-000	=	=		
11		00-897727-001	=	=		
12		00-897727-002	=	=		
13		00-896440-001	=	=		
14		00-298963-012	=	=		
15		00-734988-001	=	=		
16		00-602594-000	=	=		
17		00-897769-001	=	=		
18		01-291724-001	=	=		
19		00-884105-001	=	=		
20		01-243284-002	=	=		
21		00-609067-000	=	=		
22		00-884128-009	=	=		L=360 mm
		00-884128-010	=	=		L=480 mm
23		01-291719-001	=	=		ohne Trocknung / without dryer / sans séchage
		01-291719-002	=	=		mit Trocknung / with dryer / avec séchage
24		00-897738-002	=	=		
25		00-897738-001	=	=		
26	L/R	01-242184-001	=	=		
	R/L	01-242184-002	=	=		
27		00-734997-001	=	=		
28		01-291429-002	=	=		
29		00-325008-001	=	=		
30		00-325007-001	=	=		
31		00-899284-001	=	=		
32		00-325529-001	=	=		
33		01-291759-001	=	=		



vsezip.ru

+7(812)987-08-81

Pos.	A	B			X [mm]	Bemerkung / Remarks / Remarques
		CS	CN	CP		
01		01-245225-001	=			
02		00-866524-003	=			
03		01-243213-001	=			
04		00-603124-000	=			
05		00-866524-002	=			
06		00-604-059-000	=			
07		01-243216-001	=			
08		00-609313-000	=			
09		00-897777-001	=			
10		00-602573-000	=			
11		00-380528-037	=			
12		00-602594-000	=			
13		01-243217-001	=			
14		00-298963-012	=			
15		01-243234-001	=			
16	L/R	01-291762-001	=			ohne Trocknung / without dryer / sans séchage
	R/L	01-291762-002	=			ohne Trocknung / without dryer / sans séchage
	L/R	01-291762-003	=			mit Trocknung / with dryer / avec séchage
	R/L	01-291762-004	=			mit Trocknung / with dryer / avec séchage
17		00-609067-000	=			
18		00-884128-009	=			L=360 mm
19		00-884105-001	=			
20		01-243214-001	=			
21		00-603618-000	=			
22		01-243233-001	=			
23		00-735094-001	=			
24		01-291763-001	=			
25		01-243229-001	=			
26		00-897727-002	=			
27		00-897727-001	=			
28		01-243220-001	=			
29		00-325529-001	=			
30		00-896477-001	=			
31		01-243230-001	=			
32		00-734997-001	=			
33		00-895610-001	=			
34		00-325008-001	=			
35		00-325007-001	=			
36	L/R	01-242184-001	=			
	R/L	01-242184-002	=			
37		01-291759-001	=			





vsezip.ru

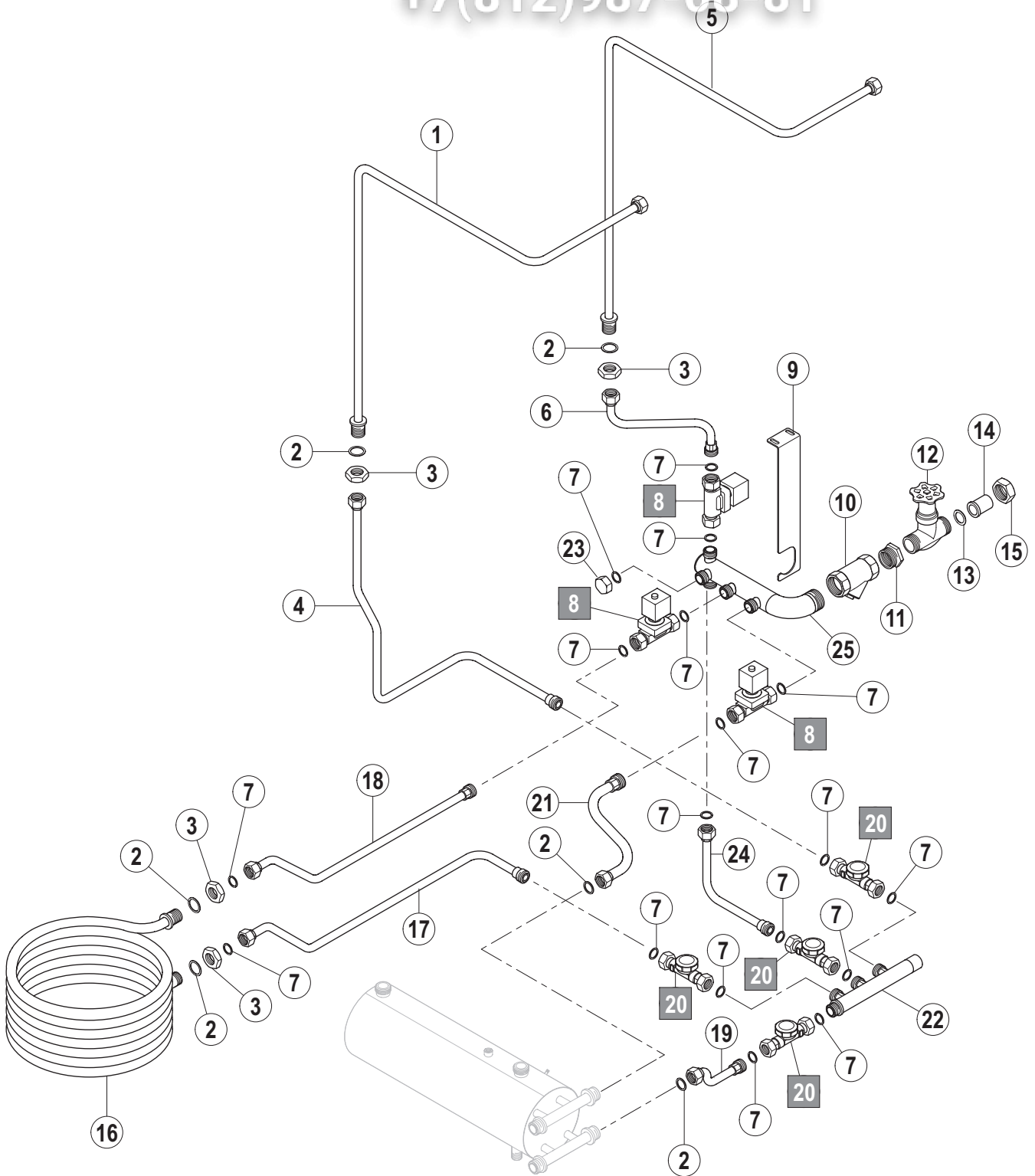
+7(812)987-08-81

Pos.	A	B			X [mm]	Bemerkung / Remarks / Remarques
		CS	CN	CP		
01		01-291734-001	=	=		
02		01-291732-001	=	=		
03		01-291735-001	=	=		
04		00-897700-...	=	=		siehe Schaltplan / see wiring diagram / voir schéma de câblage
05		01-291737-001	=	=		
06	L/R	01-291726-001	=	=		
	R/L	01-291726-002	=	=		
07		01-291728-001	=	=		
08		01-291497-002	=	=		
09	L/R	01-291731-001	=	=		CDC91
	R/L	01-291731-002	=	=		CDC91
	L/R	01-291765-001	=	=		CDC181-C
	R/L	01-291765-002	=	=		CDC181-C
10		01-291756-001	=	=		CDC91
		01-291841-001	=	=		CDC181-C
11		01-291754-001	=	=		

**Зип Общепит**  
**vsezip.ru**  
**+7(812)987-08-81**

**Зип Общепит**  
**vsezip.ru**  
**+7(812)987-08-81**

**CS / CN / CP**  
**Dampfverrohrung**  
**Steam piping**  
**Tuyauterie vapeur**



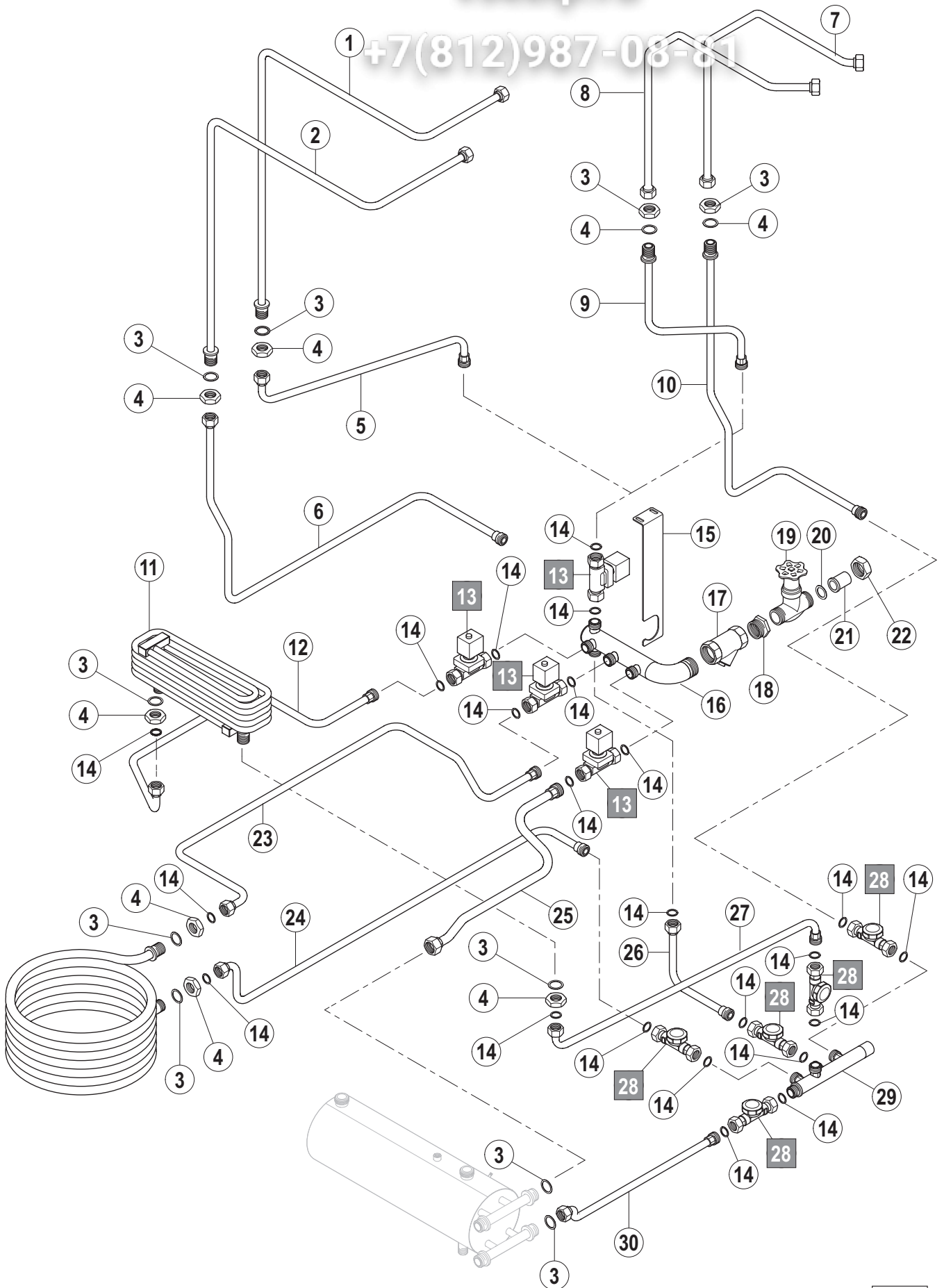
20.1

vsezip.ru

+7(812)987-08-81

Pos.	A	B			X [mm]	Bemerkung / Remarks / Remarques
		CS	CN	CP		
01	L/R	---	01-291891-001	---		mit CDS-Trocknung / with CDS dryer / avec séchage CDS
	R/L	---	01-291891-003	---		mit CDS-Trocknung / with CDS dryer / avec séchage CDS
	L/R	---	01-291897-001	---		mit CDC-Trocknung / with CDC dryer / avec séchage CDC
	R/L	---	01-291897-003	---		mit CDC-Trocknung / with CDC dryer / avec séchage CDC
02		---	00-304084-010	---		
03		---	00-609698-000	---		
04	L/R	---	01-291919-001	---		mit CDS-Trocknung / with CDS dryer / avec séchage CDS
	R/L	---	01-291932-001	---		mit CDS-Trocknung / with CDS dryer / avec séchage CDS
	L/R	---	01-291919-002	---		mit CDC-Trocknung / with CDC dryer / avec séchage CDC
	R/L	---	01-291932-002	---		mit CDC-Trocknung / with CDC dryer / avec séchage CDC
05	L/R	---	01-291891-002	---		mit CDS-Trocknung / with CDS dryer / avec séchage CDS
	R/L	---	01-291891-004	---		mit CDS-Trocknung / with CDS dryer / avec séchage CDS
	L/R	---	01-291897-002	---		mit CDC-Trocknung / with CDC dryer / avec séchage CDC
	R/L	---	01-291897-004	---		mit CDC-Trocknung / with CDC dryer / avec séchage CDC
06		---	01-2919907-001	---		mit CDS-Trocknung / with CDS dryer / avec séchage CDS
		---	01-2919907-002	---		mit CDC-Trocknung / with CDC dryer / avec séchage CDC
07		---	00-302574-014	---		
08		---	01-245593-001	---		Dampf / steam / vapeur 1 - 3,5 bar
		---	01-245593-002	---		Dampf / steam / vapeur <= 1 bar
09		---	01-291929-001	---		
10		---	00-774429-001	---		
11		---	00-609276-000	---		
12		---	00-165829-102	---		
13		---	00-300084-007	---		
14		---	00-846944-002	---		
15		---	00-609460-000	---		
16		---	01-245647-002	---		
17	L/R	---	01-291917-001	---		
	R/L	---	01-291917-002	---		
18		---	01-291905-001	---		
19		---	01-291915-001	---		
20		---	01-245603-002	---		
21		---	01-291899-001	---		
22		---	01-291912-001	---		
23		---	01-245605-001	---		
24		---	01-291909-001	---		
25		---	01-291902-001	---		

+7(812)987-08-81

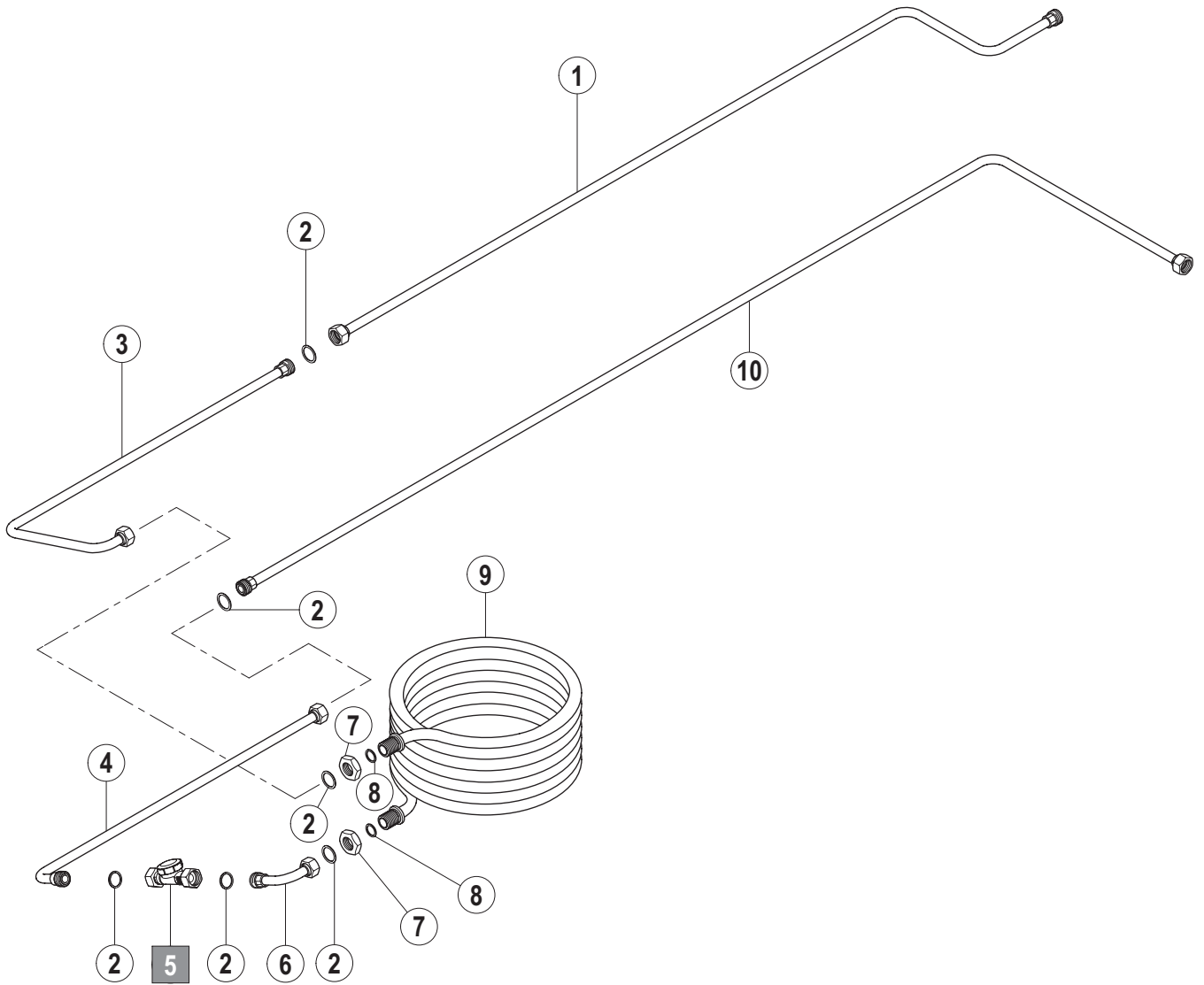


20.2

vsezip.ru

+7(812)987-08-81

Pos.	A	B			X [mm]	Bemerkung / Remarks / Remarques
		CS	CN	CP		
01	L/R	---	01-291891-001	=		mit DS-Trockung / with DS dryer / avec séchage DS
	R/L	---	01-291891-003	=		mit DS-Trockung / with DS dryer / avec séchage DS
02	L/R	---	01-291891-002	=		mit DS-Trockung / with DS dryer / avec séchage DS
	R/L	---	01-291891-004	=		mit DS-Trockung / with DS dryer / avec séchage DS
03		---	00-304084-010	=		
04		---	00-609698-000	=		
05		---	01-291907-003	=		
06	L/R	---	01-291919-004	=		
	R/L	---	01-291932-004	=		
07	L/R	---	01-291897-001	=		mit CDC-Trockung / with CDC dryer / avec séchage CDC
	R/L	---	01-291897-003	=		mit CDC-Trockung / with CDC dryer / avec séchage CDC
08	L/R	---	01-291897-002	=		mit CDC-Trockung / with CDC dryer / avec séchage CDC
	R/L	---	01-291897-004	=		mit CDC-Trockung / with CDC dryer / avec séchage CDC
09		---	01-291907-004	=		
10	L/R	---	01-291919-003	=		
	R/L	---	01-291932-003	=		
11		---	---	01-291055-001		
12	L/R	---	---	01-291934-001		
	R/L	---	---	01-291934-002		
13		---	01-245593-001	=		Dampf / steam / vapeur 1 - 3,5 bar
		---	01-245593-002	=		Dampf / steam / vapeur <= 1 bar
14		---	00-302574-014	=		
15		---	01-291929-001	=		
16		---	01-291902-001	=		
17		---	00-774429-001	=		
18		---	00-609276-000	=		
19		---	00-165829-102	=		
20		---	00-300084-007	=		
21		---	00-846944-002	=		
22		---	00-609460-000	=		
23	L/R	---	01-291936-001	=		
	R/L	---	01-291936-002	=		
24	L/R	---	01-291917-003	=		
	R/L	---	01-291917-004	=		
25		---	01-291899-002	=		
26		---	01-291909-001	=		
27		---	---	01-291922-001		
28		---	01-245603-002	=		
29		---	01-291912-001	=		A-Maschine / A- machine
		---	01-291912-004	=		AA-Maschine / AA- machine
	L/R	---	---	01-291912-002		
	R/L	---	---	01-291912-003		
30		---	01-291915-002	=		





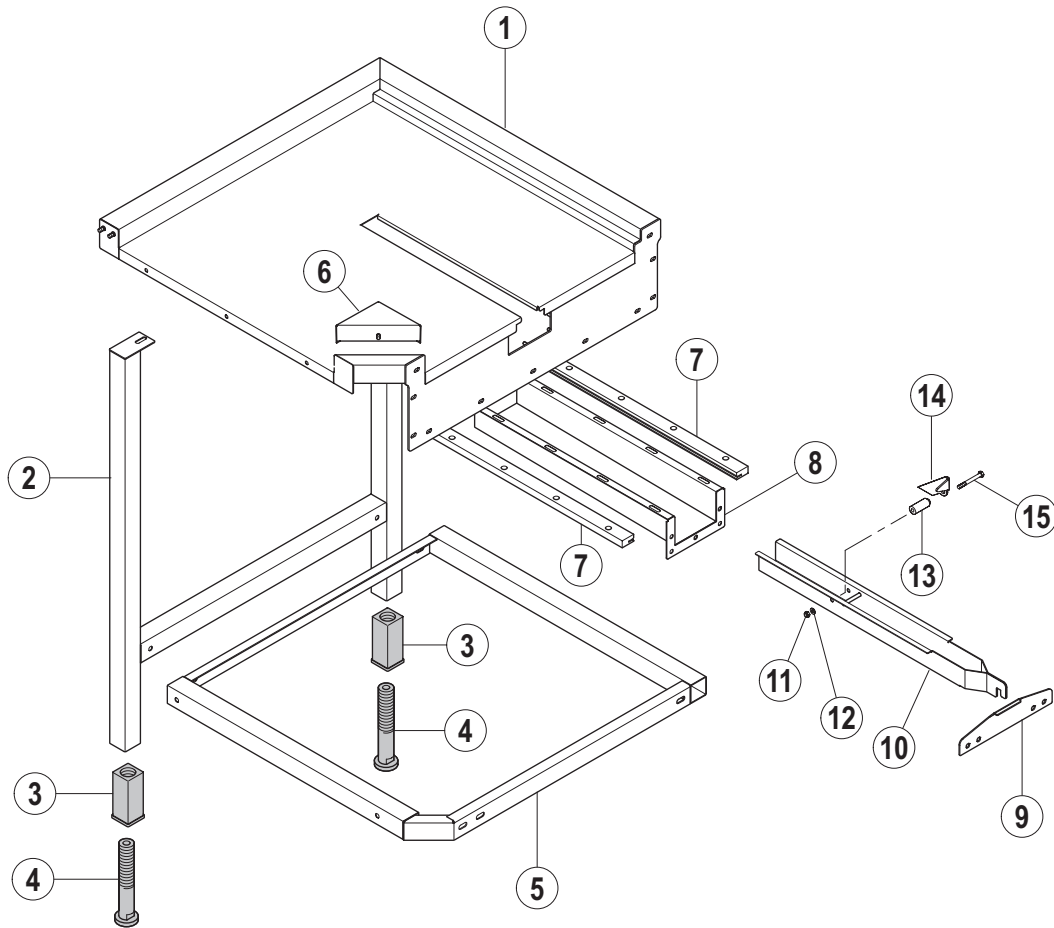
Автомобильный  
vsezip.ru  
+7(812)987-08-81

Pos.	A	B			X [mm]	Bemerkung / Remarks / Remarques
		CS	CN	CP		
01		---	01-291926-001	---		
02		---	00-302574-014	---		
03		---	01-291926-002	---		
04		---	01-291924-002	---		
05		---	01-245603-002	---		
06		---	01-291924-003	---		
07		---	00-609698-000	---		
08		---	00-300084-010	---		
09		---	01-245647-002	---		
10		---	01-291924-001	---		

**Зип Общепит**  
**vsezip.ru**  
**+7(812)987-08-81**

**Зип Общепит**  
**vsezip.ru**  
**+7(812)987-08-81**

**CS / CN / CP**  
**CAF Eckeinschub**  
**CAF corner guiding**  
**CAF guidage sur angle**



+7(812)987-08-81

Pos.	A	B			X [mm]	Bemerkung / Remarks / Remarques
		CS	CN	CP		
01	L/R	01-296079-001	=	=		
	R/L	01-296082-001	=	=		
02		00-896477-001	=	=		
03		00-325008-001	=	=		
04		00-325007-001	=	=		
05	L/R	00-896478-001	=	=		
	R/L	00-896478-002	=	=		
06		00-896362-001	=	=		
07		00-734945-001	=	=		
08		00-734947-001	=	=		
09		01-296076-001	=	=		
10		01-296078-001	=	=		
11		00-602502-000	=	=		
12		00-602286-000	=	=		
13		01-249194-001	=	=		
14	L/R	01-249191-001	=	=		
	R/L	01-249191-002	=	=		
15		00-603355-000	=	=		

**Зип Общепит**  
**vsezip.ru**  
**+7(812)987-08-81**

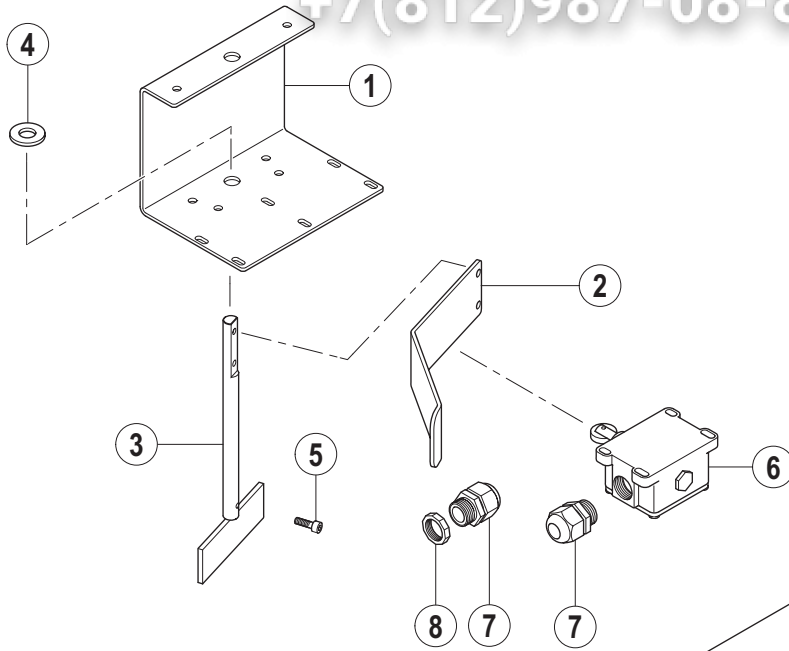
**Зип Общепит**  
**vsezip.ru**  
**+7(812)987-08-81**

**CS / CN / CP**

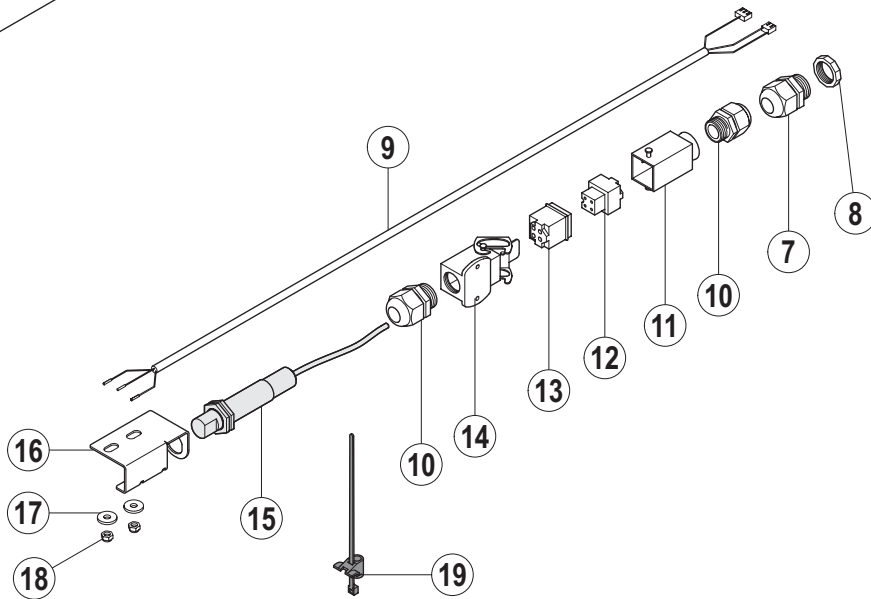
**Tischendschalter**

**Table end switch**

**Interrupteur fin-de-course  
de table**



mechanisch  
mechanical  
mécanique



optisch  
optical  
optique



Pos.	A	B			X [mm]	Bemerkung / Remarks / Remarques
		CS	CN	CP		
01		00-896493-001	=	=		
02		00-735084-001	=	=		
03		00-735085-003	=	=		
04		00-228694-014	=	=		
05		00-609472-000	=	=		
06		00-785410-001	=	=		
07		00-695661-003	=	=		M20
08		00-695664-003	=	=		M20
09		00-691928-002	=	=		
10		00-324304-003	=	=		PG11
11		00-780090-003	=	=		
12		00-785090-004	=	=		
13		00-780090-005	=	=		
14		00-780090-001	=	=		
15		00-691927-001	=	=		
16		00-886535-001	=	=		
17		00-602318-000	=	=		
18		00-602501-000	=	=		
19		00-691923-001	=	=		

**Зип Общепит**  
**vsezip.ru**  
**+7(812)987-08-81**

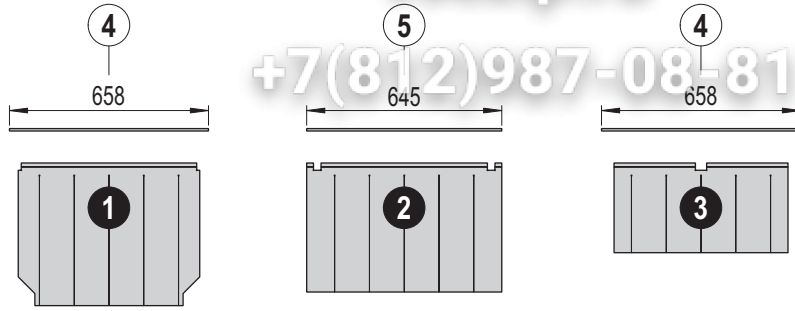
**Зип Общепит**  
**vsezip.ru**  
**+7(812)987-08-81**

**CS / CN / CP**

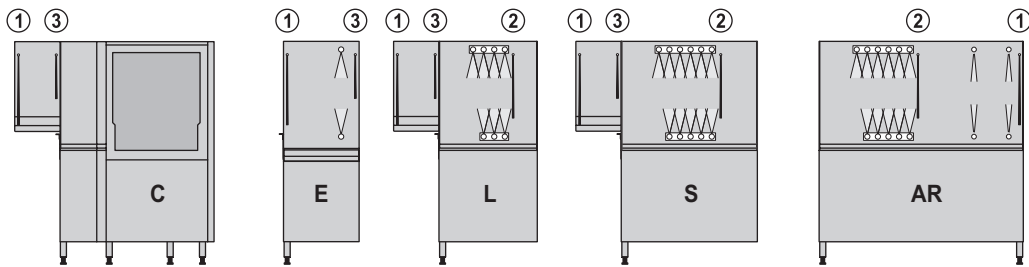
**Vorhänge**

**Curtains**

**Rideaux**

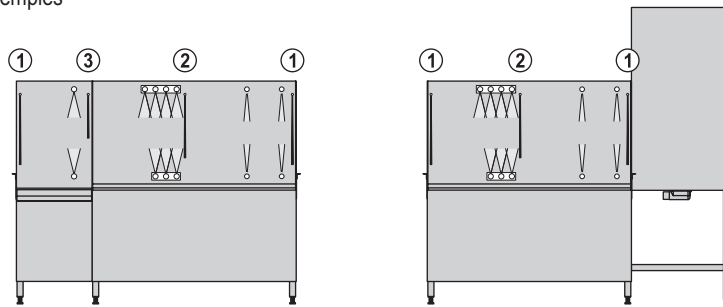


Module / Modules



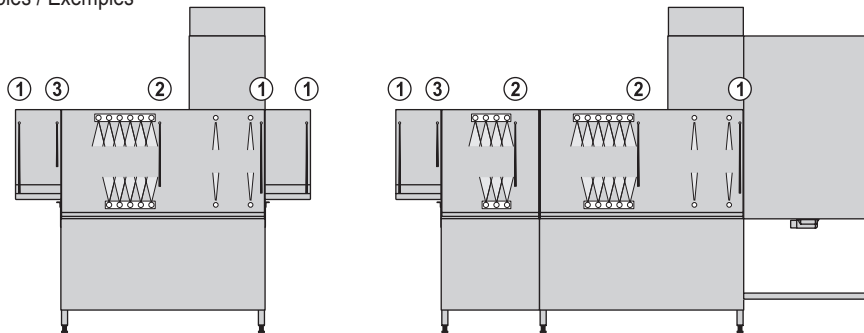
Beispiele / Examples / Exemples

**CS**



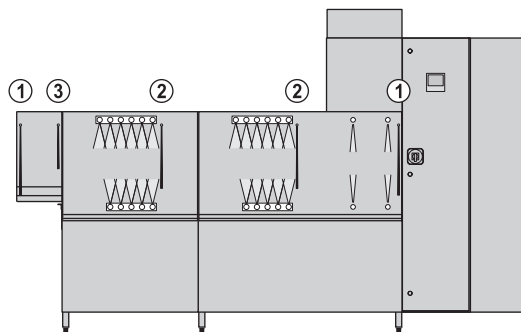
Beispiele / Examples / Exemples

**CN**



Beispiel / Example / Exemple

**CP**



vsezip.ru  
+7(812)987-08-81

Pos.	A	B			X [mm]	Bemerkung / Remarks / Remarques
		CS	CN	CP		
01		01-291315-001	=	=		
02		01-291315-003	=	=		
03		01-291315-002	=	=		
04		01-245396-007	=	=		
05		01-245396-006	=	=		

**Зип Общепит**

**vsezip.ru**

**+7(812)987-08-81**

HOBART behält sich das Recht vor, an allen Produkten technische Änderungen und Verbesserungen ohne Ankündigung vorzunehmen.

As continued product improvement is a policy of HOBART, specifications are subject to change without notice.

Ce catalogue n'est pas contractuel. HOBART se réserve le droit, et sans préavis, d'apporter toutes modifications ou améliorations à ses matériels.