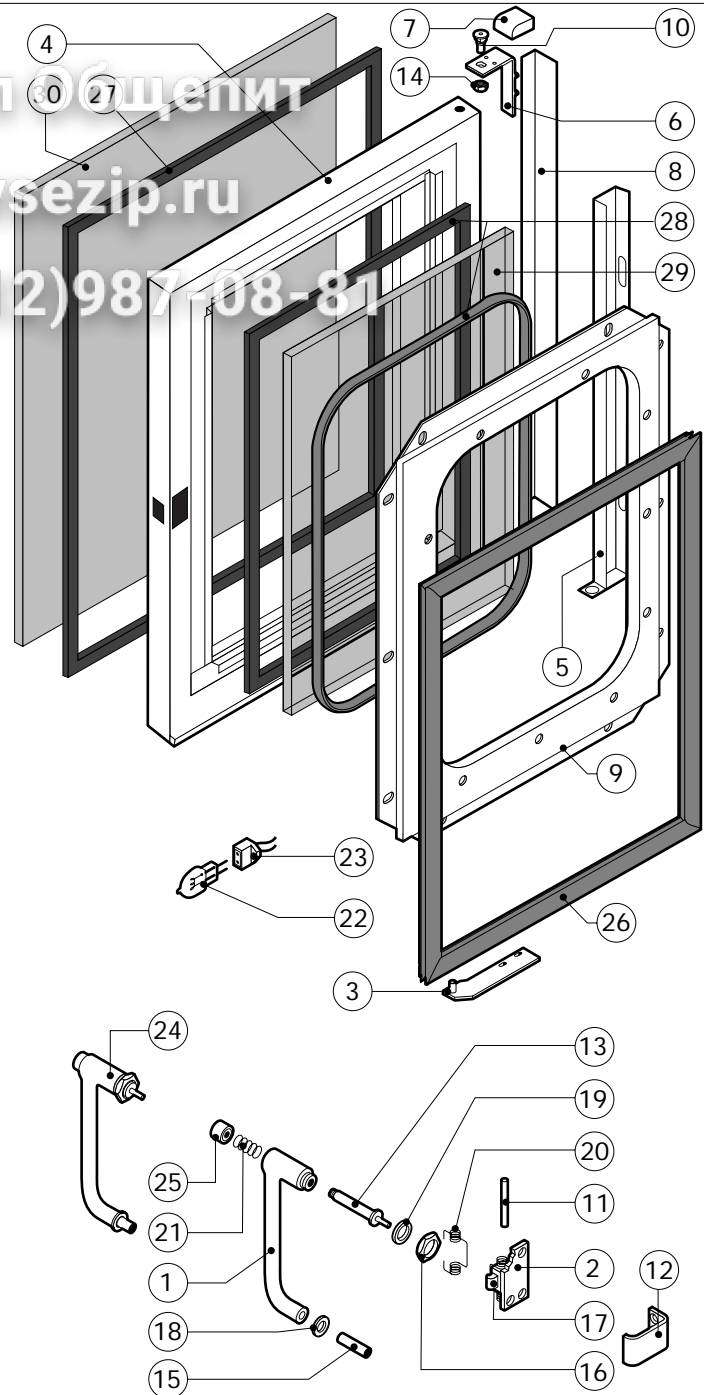
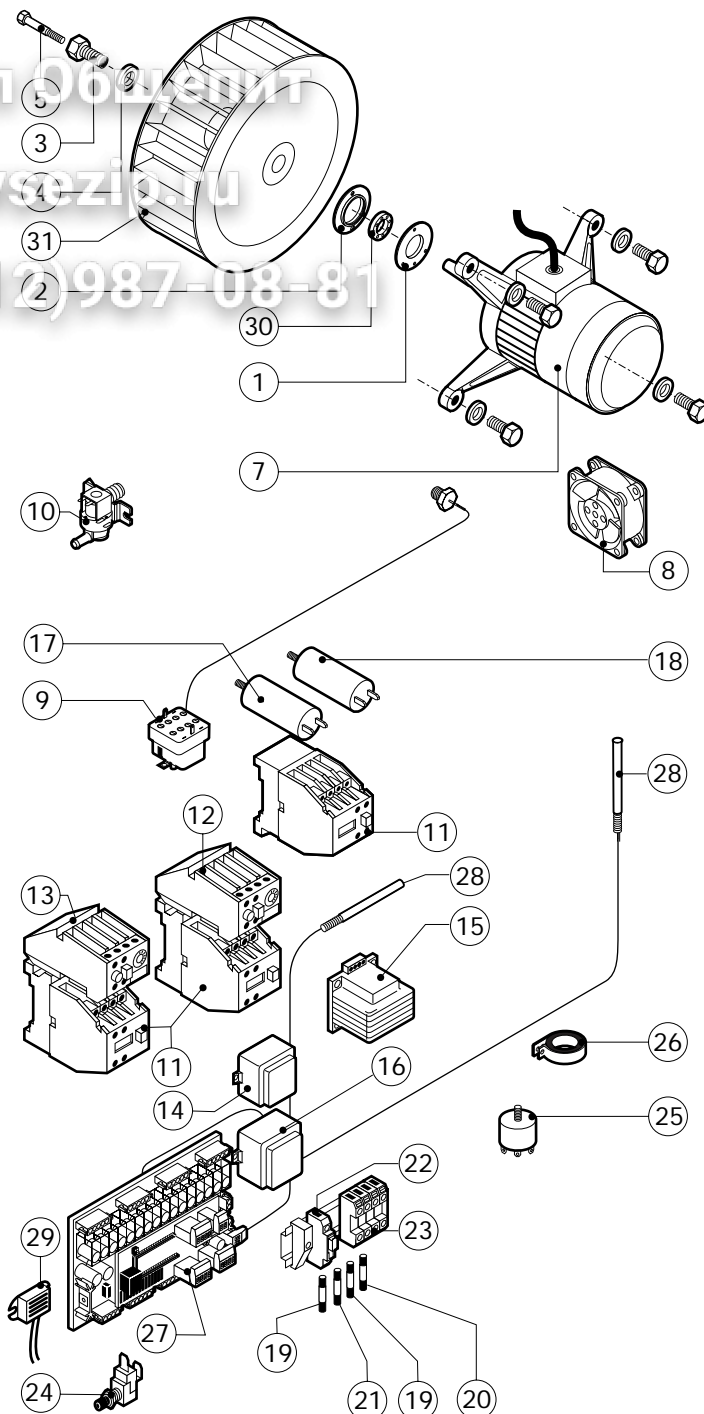
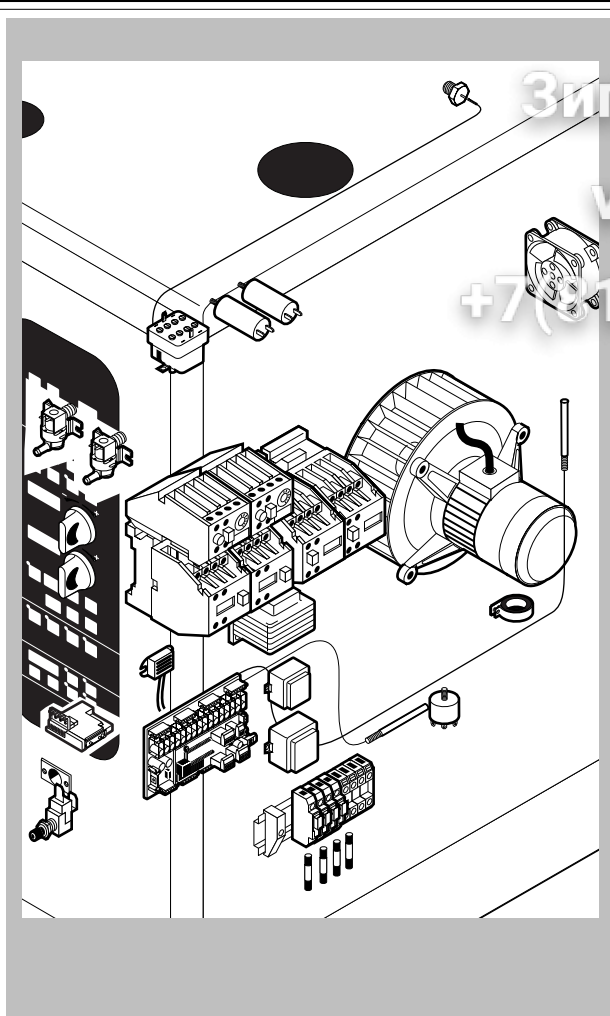


Зип общепит
vsezip.ru
+7(812)987-08-81



POS.	CODE	PIECES	DESCRIPTION
1	R09200230	1	DOOR HANDLE
2	R10100110	1	PRONG FLANGE
3	R12212250	1	LOWER DOOR HINGE
4	R14200740	1	DOOR
5	R14200790	1	LEFT LAMP COVER
6	R14200820	1	UPPER DOOR HINGE
7	R14200830	1	DOOR HINGE COVER
8	R14403440	1	LEFT GLASS FIXING BRACKET
9	R14406120	1	INNER DOOR PANEL
10	R58002150	1	HINGE PIN
11	R58002160	1	DOOR HANDLE PRONG PIN
12	R58002760	1	DOOR HANDLE PRONG COUPLER
13	R58003500	1	DOOR HANDLE BUTTON ROD
14	R58004050	1	NUT FOR UPPER DOOR HINGE
15	R58004320	1	DOOR HANDLE SPACER
16	R58004830	1	RING NUT M18x1
17	R58005050	1	DOOR HANDLE PRONG
18	R58005340	1	DOOR HANDLE LOWER INSULATION WASHER
19	R58005350	1	DOOR HANDLE UPPER INSULATION WASHER

POS.	CODE	PIECES	DESCRIPTION
20	R61620012	1	DOOR HANDLE CATCH SPRING
21	R61620041	1	DOOR HANDLE BUTTON SPRING
22	R65270020	2	LIGHT 20W 12V G4
23	R65270400	2	LIGHT SOCKET
24	R69015080	1	DOOR HANDLE ASSEMBLY
25	R69031190	1	DOOR HANDLE PUSH BUTTON
26	R70042580	1	DOOR GASKET
27	R70042680	1	FRONT GLASS GASKET
28	R70042780	1	REAR GLASS GASKET
29	R71020130	1	DOOR GLASS
30	R71200740	1	DOOR GLASS



POS.	CODE	PIECES	DESCRIPTION
1	R58003840	1	MOTOR GASKET BRASS FLANGE
2	R58003850	1	MOTOR GASKET BRASS COUNTER FLANGE
3	R58004000	1	FAN SCREW M12x1.5 SX
4	R58004010	1	FAN WASHER Ø 30/12.5
5	R61020562	1	FAN SCREW TE A2 M6x55
6	R63060100	1	BURNER IGNITION PANEL
7	R65040031	1	MOTOR HP 1/0.3 KIT
8	R65060050	1	COMPONENTS VENTILATION MOTOR Ø 120
9	R65070070	1	CHAMBER SAFETY THERMOSTAT
10	R65110010	2	SOLENOID VALVE 220V 50HZ
11	R65140150	4	CONTACTOR 3TF4011-OAUO 240V
12	R65160120	1	THERMIC PROTECTION 3UA5000-1C 1.6-2.5A
13	R65160130	1	THERMIC PROTECTION 3UA5000-1F 3.2-5A
14	R65180410	1	TRANSFORMER 16VA
15	R65180430	1	TRANSFORMER 40VA
16	R65180650	1	TRANSFORMER 23VA
17	R65190030	1	CAPACITOR 16 µF
18	R65190090	1	CAPACITOR 12.5 µF
19	R65200086	2	FUSE 0.125A (T)

POS.	CODE	PIECES	DESCRIPTION
20	R65200200	1	FUSE 2A
21	R65200350	1	FUSE 0.4A (T)
22	R65210020	4	FUSE CARRIER
23	R65220220	1	TERMINAL BOARD
24	R65260540	1	DOOR SWITCH
25	R65280210	1	INTERFERENCE SUPPRESSOR
26	R65280450	1	FERRITE
27	R65300730	1	RELAYS P.C. BOARD
28	R65325000	2	PROBE PT100
29	R65330020	1	BUZZER
30	R70020050	1	MOTOR GASKET
31	R75400380	1	FAN Ø 350x120/24 50HZ P.D. KIT

