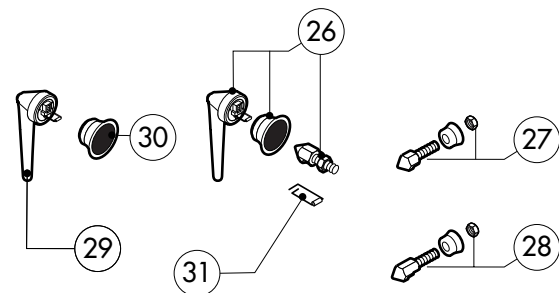
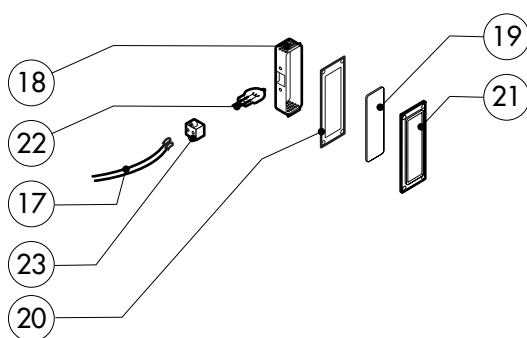
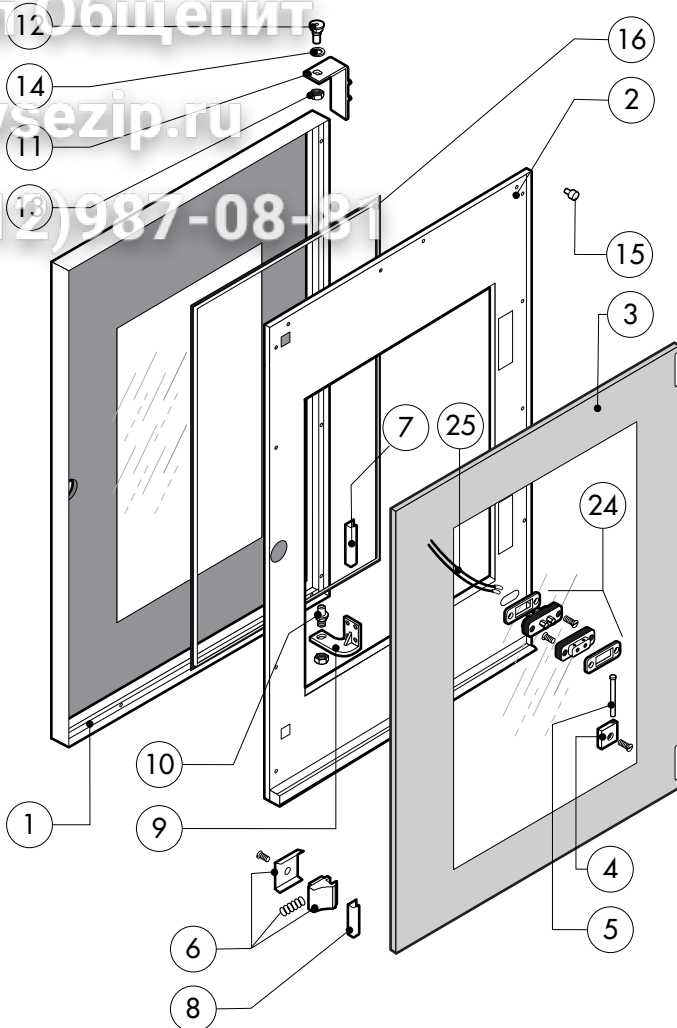
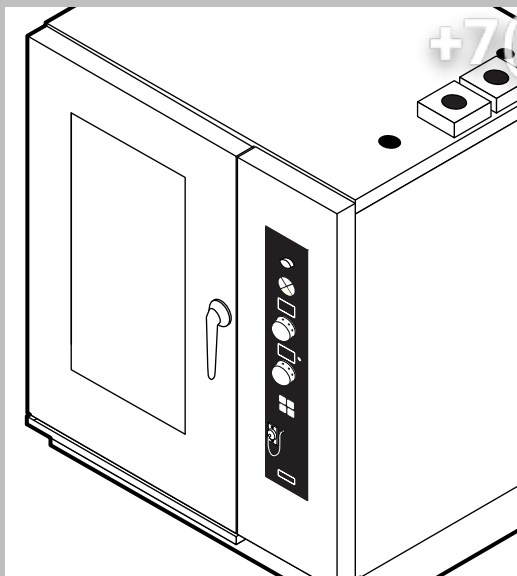


Зип-Общепит

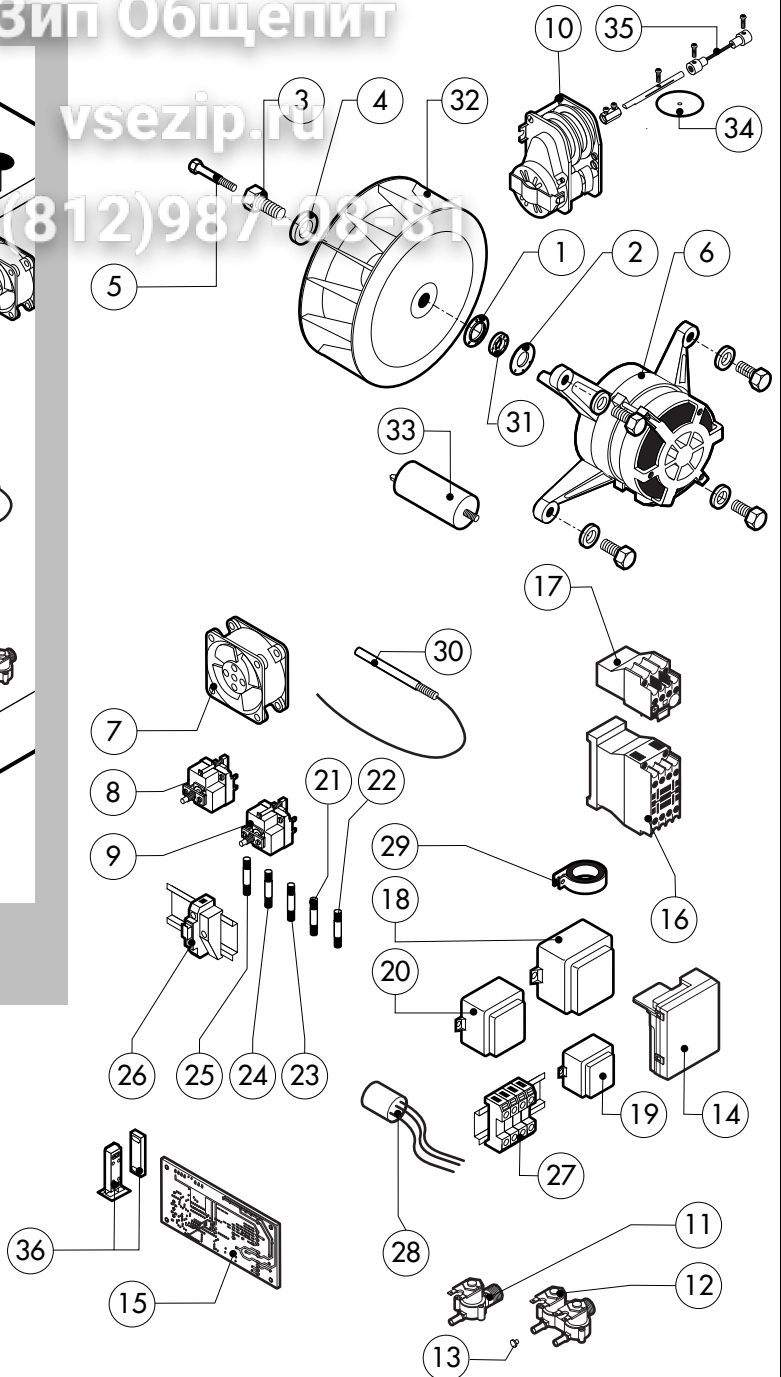
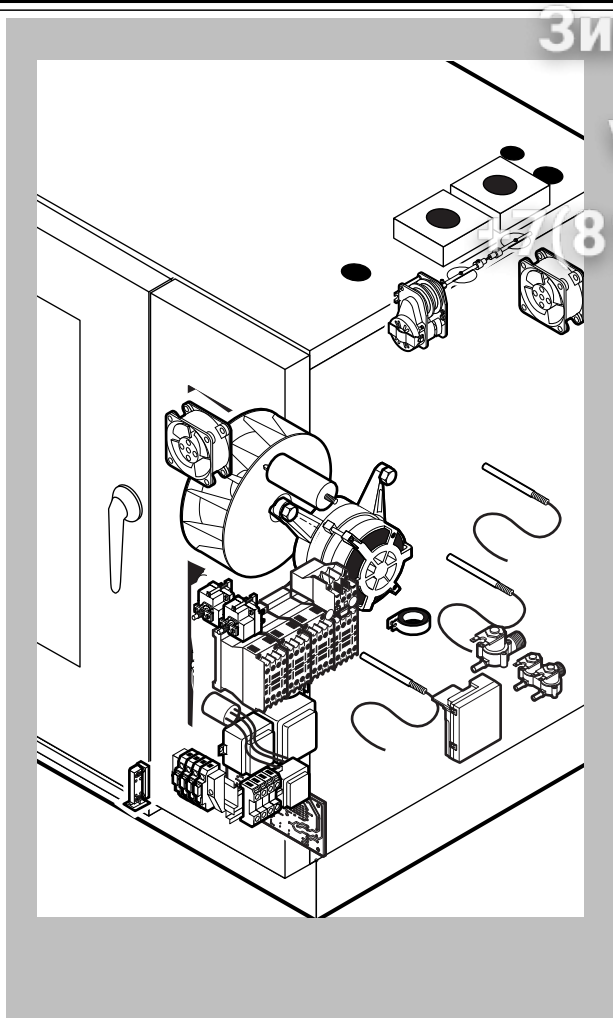
vsezip.ru

+7(812)987-08-81



POS.	CODE	PIECES	DESCRIPTION
1	R14211150	1	DOOR
2	R14211200	1	INNER DOOR PANEL
3	R71201660	1	INNER DOOR GLASS
4	R58001760	2	INNER GLASS SOLID HINGE
5	R58001770	2	INNER GLASS HINGE PIN
6	R58001780	2	INNER GLASS CATCH KIT
7	R11401340	1	TOP "C" PROFILE
8	R11401360	1	LOWER "C" PROFILE
9	R11207250	1	LOWER DOOR HINGE
10	R58002520	1	LOWER HINGE PIN
11	R11200560	1	UPPER DOOR HINGE
12	R58002150	1	HINGE PIN
13	R58004050	2	NUT FOR UPPER DOOR HINGE
14	R10401710	1	WASHER FOR UPPER DOOR HINGE
15	R70050100	6	GLASS SILICON SPACERS
16	R70040640	1	GLASS GASKET
17	R66110320	1	DOOR LAMPS CABLE SET
18	R11401440	2	LAMP COVER
19	R71500150	2	GLASS LAMP

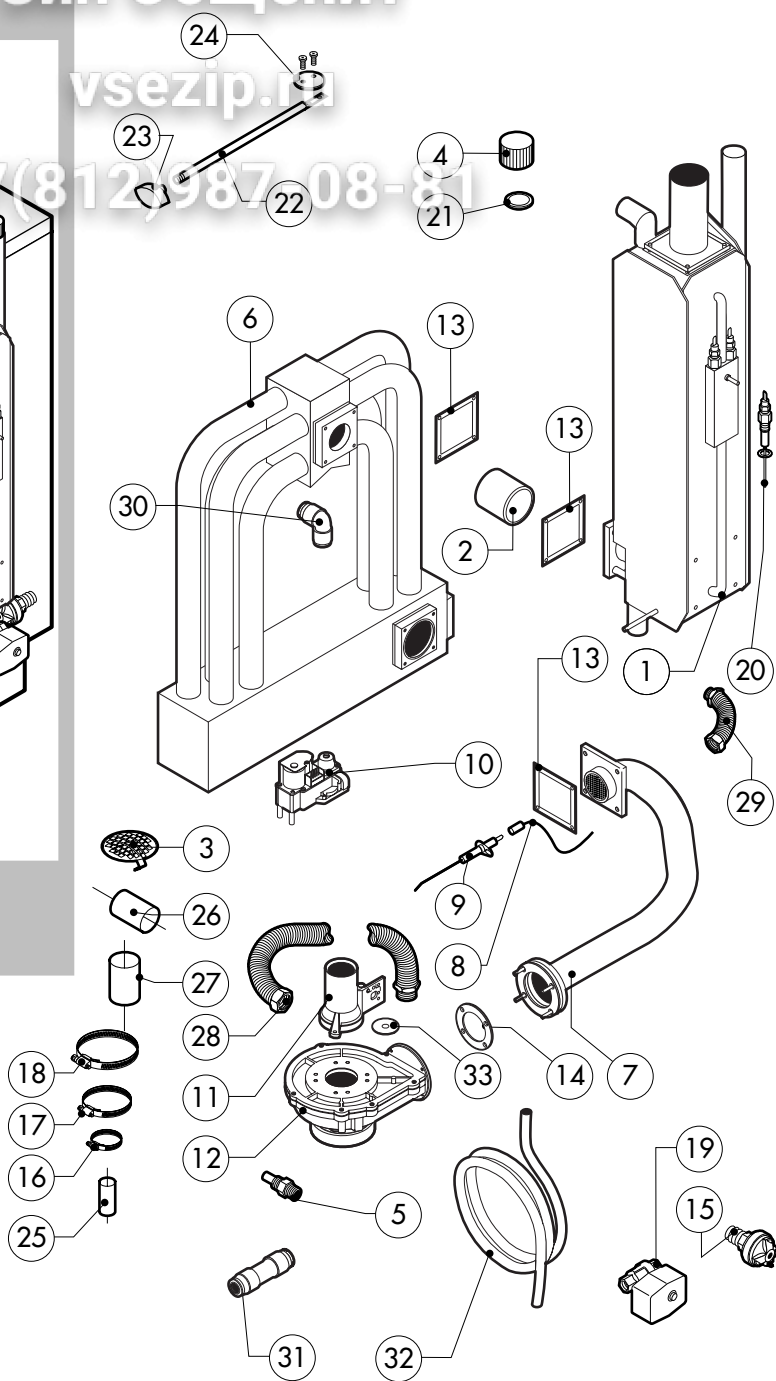
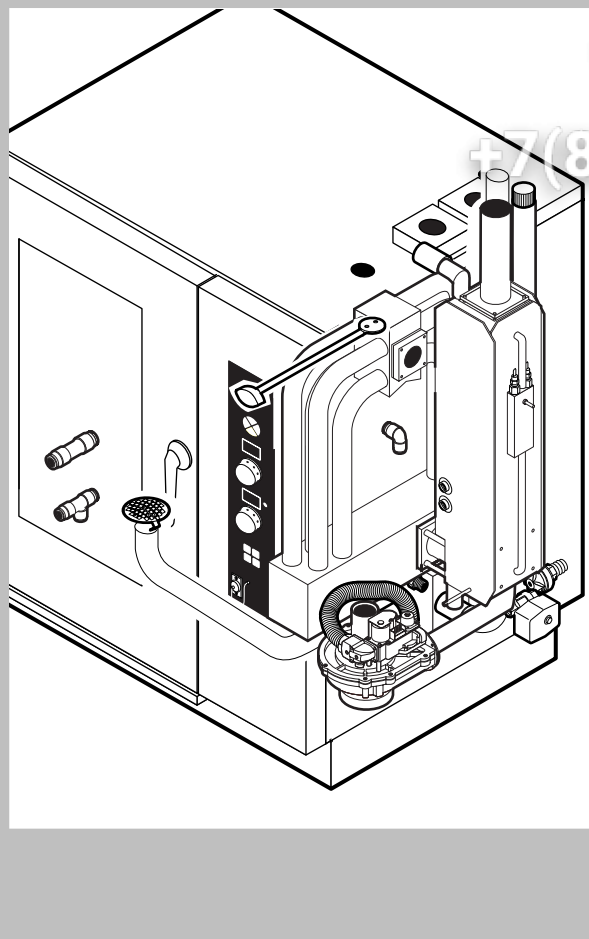
POS.	CODE	PIECES	DESCRIPTION
20	R70044200	2	LAMP GASKET
21	R11401450	2	GLASS HOLDER LAMP FLANGE
22	R65270020	2	LIGHT 20W 12V G4
23	R65270450	2	LIGHT SOCKET
24	R65260750	1	LAMPS CONTACT BLOCK
25	R66110300	1	LAMPS CONTACT CABLE SET
26	R11100300	1	DOOR HANDLE ASSEMBLY
27	R69010260	1	DOOR LATCH 1 STEP
28	R69010270	1	DOOR LATCH 2 STEP
29	R69010250	1	DOOR CATCH KIT
30	R69010630	1	INNER DOOR CATCH PLASTIC COVER
31	R61620132	1	PRONG FLANGE



POS.	CODE	PIECES	DESCRIPTION
1	R58003840	1	MOTOR GASKET BRASS FLANGE
2	R58003850	1	MOTOR GASKET BRASS COUNTER FLANGE
3	R58004000	1	FAN SCREW M12x1.5 SX
4	R58004010	1	FAN WASHER Ø 30/12.5
5	R61020562	1	FAN SCREW TE A2 M6x55
6	*R65040041	1	MOTOR HP 1 KIT
7	R65060050	2	COMPONENTS VENTILATION MOTOR Ø 120
8	R65070350	1	CHAMBER SAFETY THERMOSTAT
9	R65070081	1	STEAM GENERATOR SAFETY THERMOSTAT
10	R65090240	1	DRAIN MOTOR
11	R65110200	1	SOLENOID VALVE 220V 50HZ
12	R65110210	1	SOLENOID VALVE 220V 50HZ WITH FLOW REDUCER
13	R65110510	1	15 LT/H WATER FLOW REDUCER
14	R63060120	1	BURNER IGNITION PANEL
15	R63130020	1	GAS BURNER FAN MOTOR PCBOARD
16	*R65140550	4	CONTACTOR DIL 00 M-01 4KW
17	*R65160470	1	THERMIC PROTECTION Z 00-4
18	R65180770	1	TRANSFORMER 50VA
19	R65180420	1	TRANSFORMER 20VA
20	R65180430	1	TRANSFORMER 40VA
21	R65200200	1	FUSE 2A

POS.	CODE	PIECES	DESCRIPTION
22	R65200120	1	FUSE 1A
23	R65200040	1	FUSE 0.500A (T)
24	R65200110	1	FUSE 0.25 A(T)
25	R65200080	1	FUSE 0.25A (T)
26	R65210020	5	FUSE CARRIER
27	R65220220	1	TERMINAL BOARD
28	*R65280210	1	INTERFERENCE SUPPRESSOR
29	*R65280450	1	FERRITE
30	R65325000	3	PROBE PT100
31	R70020050	1	MOTOR GASKET
32	*R75400440	1	FAN Ø 350x114/12 50HZ P.D. KIT
33	*R65190180	1	CAPACITOR 20 µF
34	R11402840	2	SMOKES OUTLET PLATE
35	R61660000	1	CARDAN JOINT
36	R65265100	1	DOOR SWITCH

*COMPONENT SUBMITTED TO CHANGEMENTS CAUSED BY TENSION DIFFERENT FROM THE STANDARD (AC 230V 50HZ)



POS.	CODE	PIECES	DESCRIPTION
1	R14102360	1	STEAM GENERATOR ASSEMBLY
2	R70080010	1	CERAMIC PROTECTION TUBE
3	R10201710	1	DRAIN FILTER
4	R58005680	1	STEAM GENERATOR DESCALING CAP 1"1/4 F
5	R58006130	1	STEAM QUENCHING NOZZLE Ø 1
6	R14211450	1	HEAT EXCHANGER ACCESSORIES INCLUDED
7	R14211500	1	BURNER ASSEMBLY
8	R66110390	1	FLAME IGNITION CABLE/FLAME SENSOR CABLE
9	R63050100	2	IGNITOR
10	R63020170	1	GAS SOLENOID VALVE
11	R63120010	1	VENTURI TUBE
12	R63130010	1	GAS BURNER FAN MOTOR
13	R63140020	6	BURNER/HEAT EXCHANGER GASKET
14	R63140050	1	BURNER/FAN MOTOR GASKET
15	R63070010	1	GAS SAFETY PRESSURE SWITCH PG 901.61
16	R61630011	2	METAL CLAMPS 12-22/9
17	R61630021	2	METAL CLAMPS 30-45/9
18	R61630100	2	METAL CLAMPS 32-44/12
19	R65110560	1	STEAM GENERATOR DRAIN MOTORIZED VALVE

POS.	CODE	PIECES	DESCRIPTION
20	R65320010	2	STEAM GENERATOR LEVEL PROBE
21	R70050040	1	STEAM GENERATOR CAP GASKET
22	R58003790	1	CHAMBER VENT ROD
23	R69010410	1	STEAM OUTLET KNOB
24	R04403460	1	CHAMBER VENT PLATE Ø 46
25	R70060080	1	SILICON COUPLING Ø 13
26	R70060010	1	SILICON COUPLING Ø 30
27	R70060030	1	SILICON COUPLING Ø 40
28	R62180082	1	GAS INLET FLEXIBLE PIPE
29	R62180022	1	FLEXIBLE PIPE FOR BOILER DESCALING
30	R62090478	5	ELBOW MIDLING PIPE FITTING D.10
31	R62090458	1	STRAIGHT MIDLING PIPE FITTING D.10
32	R70070050	1	PE D.10 MM X7 WATER FLEXIBLE PIPE (3 MT LONG)
33	R58004190	1	ORIFICE (FOR VERSION LIQUID GAS)

