

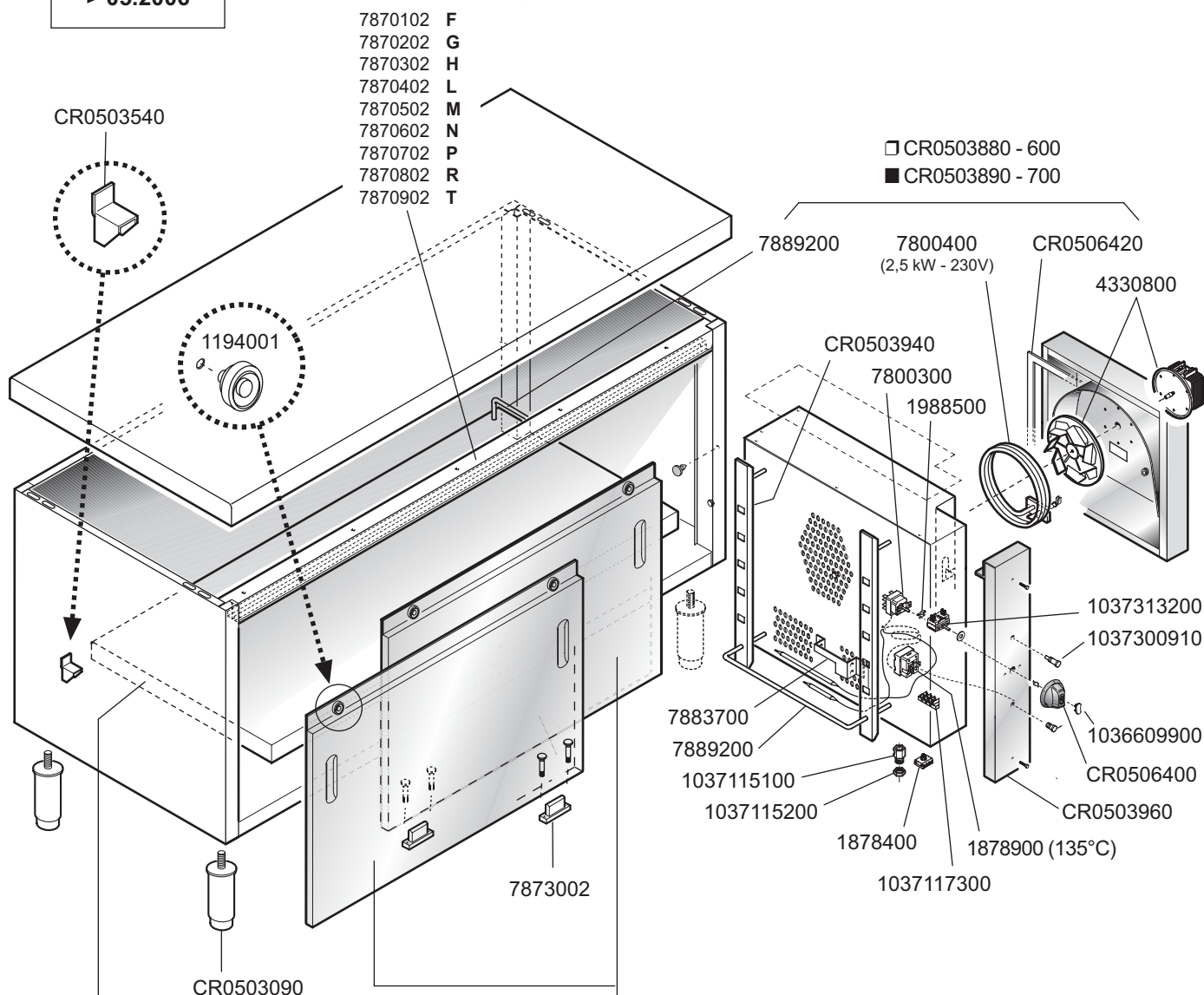
EAR-612PS\*, PA, PP 8307900\*  
 EAR-613PS\*, PA, PP 8308000\*  
 EAR-614PS\*, PA, PP 8308100\*  
 EAR-615PS\*, PA, PP 8308200\*  
 EAR-616PS\*, PA, PP 8308300\*  
 EAR-617PS\*, PA, PP 8308400\*  
 EAR-618PS\*, PA, PP 8308500\*  
 EAR-619PS\*, PA, PP 8308600\*  
 EAR-620PS\*, PA, PP 8308700\*

EAR-712PS\*, PA, PP 8321000\*  
 EAR-713PS\*, PA, PP 8321100\*  
 EAR-714PS\*, PA, PP 8321200\*  
 EAR-715PS\*, PA, PP 8321300\*  
 EAR-716PS\*, PA, PP 8321400\*  
 EAR-717PS\*, PA, PP 8321500\*  
 EAR-718PS\*, PA, PP 8321600\*  
 EAR-719PS\*, PA, PP 8321700\*  
 EAR-720PS\*, PA, PP 8321800\*

TAVOLI ARMADI RISCALDATI  
 ELECTRIC HEATED CUPBOARDS  
 TABLES ARMOIRES CHAUDES  
 ELEKTRISCHBEHEIZTSCHRANKTISCHE

Витовщепит  
 vityovshchepit.ru  
 +7(812)987-08-81


> 05.2006



<b>600</b>	<b>700</b>	
CR0503400	CR0503260	<b>F</b>
CR0503410	CR0503270	<b>G</b>
CR0503420	CR0503280	<b>H</b>
CR0503430	CR0503290	<b>L</b>
CR0503440	CR0503300	<b>M</b>
CR0503450	CR0503310	<b>N</b>
CR0503460	CR0503320	<b>P</b>
CR0503470	CR0503330	<b>R</b>
CR0503480	CR0503340	<b>T</b>

mm			
CR0503610	580	PS/A/P	<b>FFG</b>
CR0503620	680	PS/A/P	<b>GHHL</b>
CR0503630	780	PS/A/P	<b>LMMN</b>
CR0503640	880	PS/A/P	<b>NPPR</b>
CR0503650	980	PS/A/P	<b>RTT</b>

Pannello esterno  
 External panel  
 Panneau avant  
 Frontabdeckung

□ 600    ■ 700						
A 70   B 80   C 90   D 100   E 110   F 120   G 130   H 140   L 150   M 160   N 170   P 180   R 190   T 200   U 210   cm						
 MARENO INDUSTRIE ALI spa Mareno di Piave (TV)	ELABORATO:	APPROVATO:	GRUPPO:	DENOMINAZIONE:		
	G.Z.		Preparazione - Tavoli	Mobile - Imp. Elettrico		
	DATA:	DATA:	PARTICOLARE:	REV. N.	DEL	DISEGNO N.
	13 Giu 2006	13 Giu 2006	Disegno esploso per ricambi	Z00	0606	2.1.14
SOST. DIS.			CE			

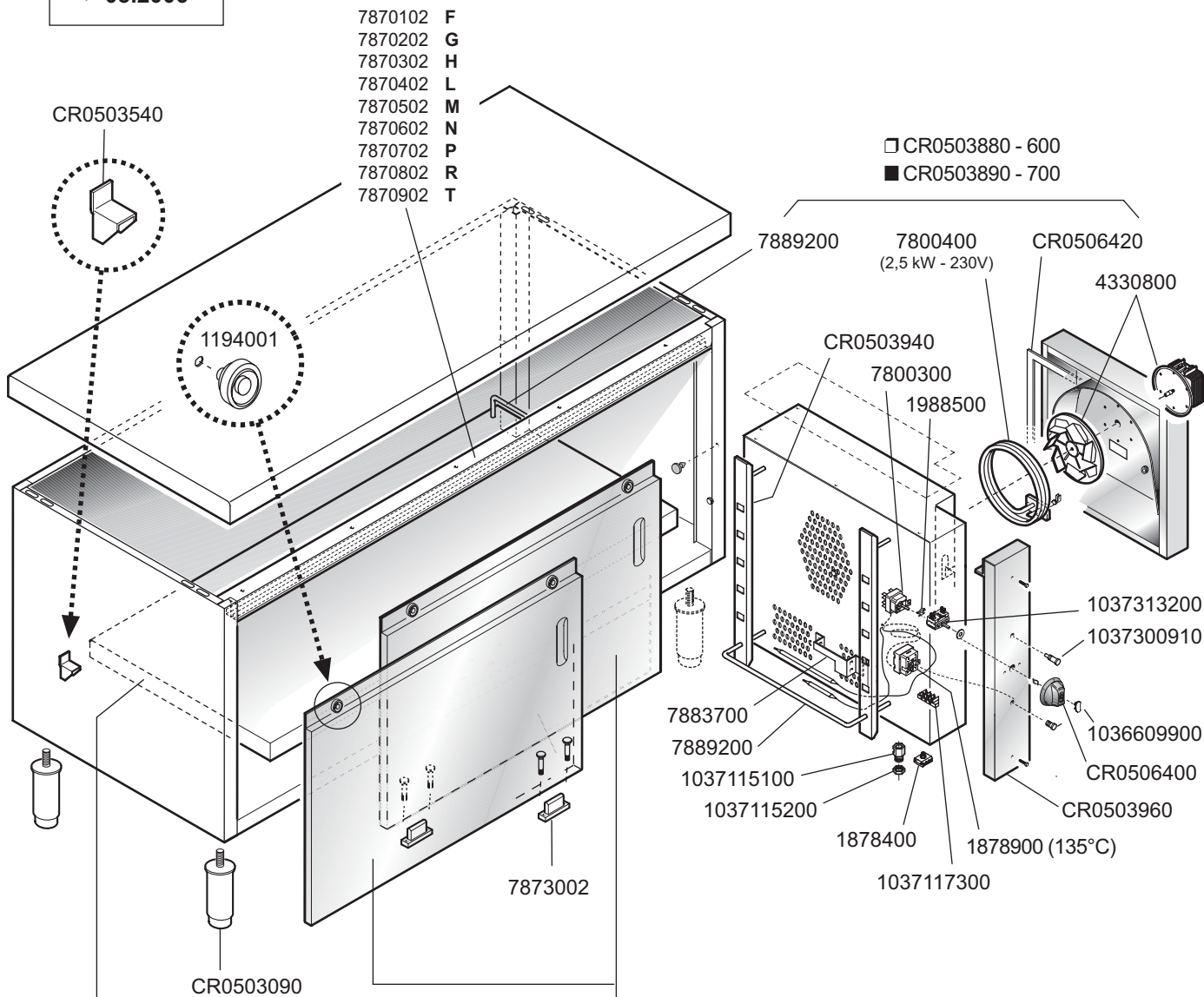
EAR-612PS\*, PA, PP 8307900\*  
 EAR-613PS\*, PA, PP 8308000\*  
 EAR-614PS\*, PA, PP 8308100\*  
 EAR-615PS\*, PA, PP 8308200\*  
 EAR-616PS\*, PA, PP 8308300\*  
 EAR-617PS\*, PA, PP 8308400\*  
 EAR-618PS\*, PA, PP 8308500\*  
 EAR-619PS\*, PA, PP 8308600\*  
 EAR-620PS\*, PA, PP 8308700\*

EAR-712PS\*, PA, PP 8321000\*  
 EAR-713PS\*, PA, PP 8321100\*  
 EAR-714PS\*, PA, PP 8321200\*  
 EAR-715PS\*, PA, PP 8321300\*  
 EAR-716PS\*, PA, PP 8321400\*  
 EAR-717PS\*, PA, PP 8321500\*  
 EAR-718PS\*, PA, PP 8321600\*  
 EAR-719PS\*, PA, PP 8321700\*  
 EAR-720PS\*, PA, PP 8321800\*

TAVOLI ARMADI RISCALDATI  
 ELECTRIC HEATED CUPBOARDS  
 TABLES ARMOIRES CHAUDES  
 ELEKTRISCHBEHEIZTSCHRANKTISCHE

+7(812)987-08-81

> 05.2006




<b>600</b>	<b>700</b>	
CR0503400	CR0503260	F
CR0503410	CR0503270	G
CR0503420	CR0503280	H
CR0503430	CR0503290	L
CR0503440	CR0503300	M
CR0503450	CR0503310	N
CR0503460	CR0503320	P
CR0503470	CR0503330	R
CR0503480	CR0503340	T

mm			
CR0510630	580	PS/A/P	FFG
CR0510640	680	PS/A/P	GHHL
CR0510650	780	PS/A/P	LMMN
CR0510660	880	PS/A/P	NPPR
CR0510670	980	PS/A/P	RTT

□ 600 ■ 700

A 70 B 80 C 90 D 100 E 110 F 120 G 130 H 140 L 150 M 160 N 170 P 180 R 190 T 200 U 210 cm

 MARENO INDUSTRIE ALI spa Mareno di Piave (TV)	ELABORATO:	APPROVATO:	GRUPPO:	DENOMINAZIONE:		
	G.Z.		Preparazione - Tavoli	Mobile - Imp. Elettrico		
	DATA:	DATA:	PARTICOLARE:	REV. N.	DEL	DISEGNO N.
	13 Giu 2006	13 Giu 2006	Disegno esploso per ricambi	▼ Z01	▼ 0907	▼ 2.1.14
SOST. DIS.	Z00.0606.2.1.14		CE			