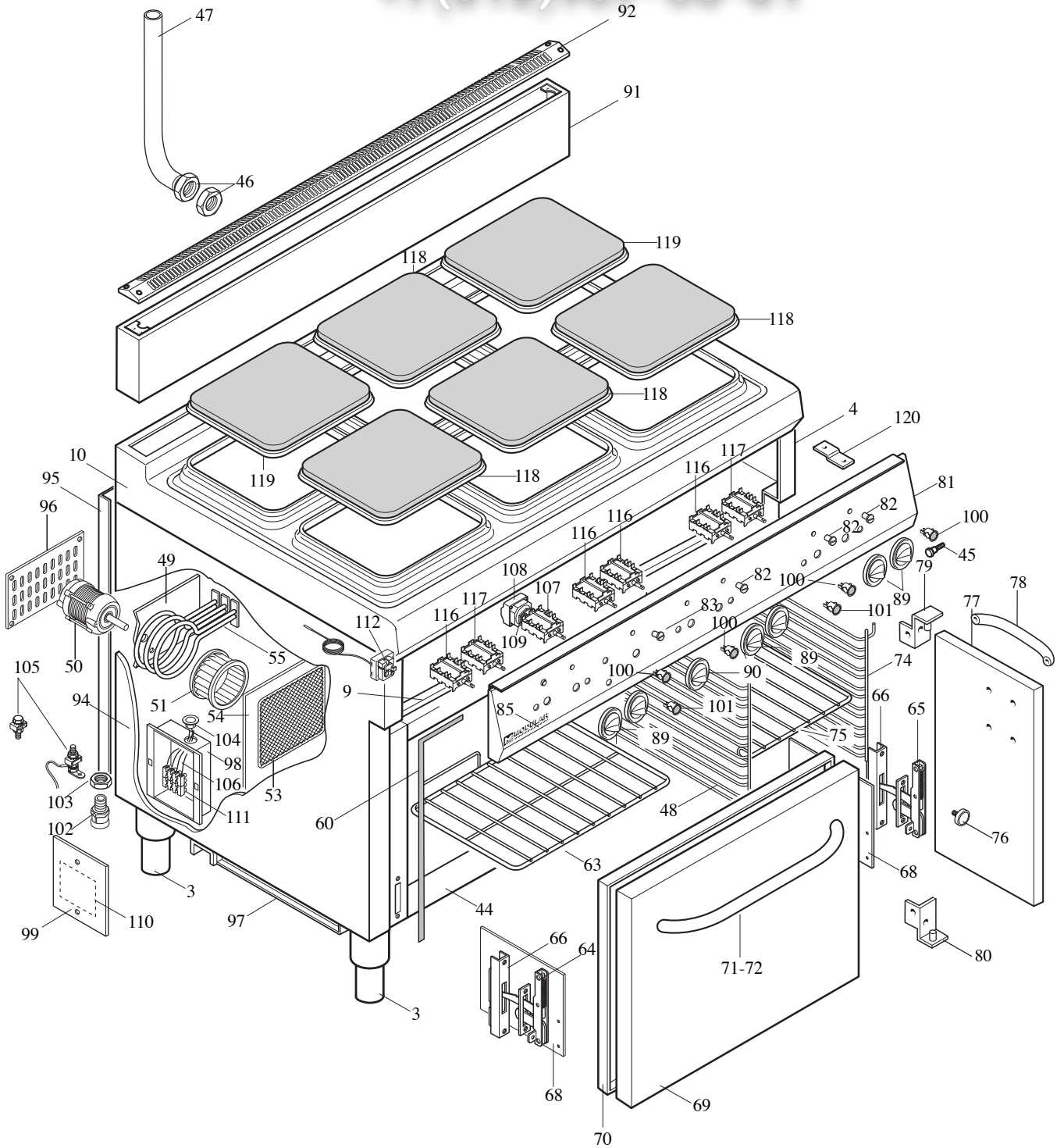


vsezip.ru

+7(812)987-08-81



**MODULAR**

LIST OF SPARE PARTS

code 253.192.12

**COOKER WITH  
ELECTRIC OVEN****MOD. 90/120 CFE**

ED. 01-07

ITEM	CODE	MODIFICATION REF	DESCRIPTION	PRICE
3	912.033.00		2" MIC foot assembly	
4	911.003.00		Cooker compartment ass. 90/120 CFG	
9	922.008.00		Cooker top base 90/120 CFG	
10	911.964.00	Replacing 911.060.00 dal 01/07/07	Top assembly 90/120 CFE	
44	611.133.13	Replacing 611.133.00-15/01/03	Conv. electric oven ass. GN 1/1	
45	641.013.00		Rung support fixing pin	
46	673.026.00		1/2 gas check nut for steam pipe	
47	931.023.00		Steam discharge pipe 90/80 for oven GN 1/1	
48	683.015.00		Rung support for electric oven	
49	622.110.00		Motor anchor plate F. E.	
50	664.000.00		Motor -FIR 1571/MD 220V 50Hz	
51	644.000.00		Fan D160x60 - No. 44 vanes	
53	683.014.00		Fan protection (steel wire)	
54	625.018.00		Fan protection (enamelled)	
55	665.008.00		Oven heating element 1260W-230V	
60	652.014.00	Replacing 652.001.00-15/01/03	Seal for door	
63	683.016.00		GN 1/1 rung for electric oven	
64	684.010.00		Left hinge for oven door	
65	684.009.00		Right hinge for oven door	
66	684.011.00	Replacing 911.147.00-15/01/03	Roll holder	
68	623.032.00		Protection for oven hinge	
69	921.017.13	Replacing 921.017.00 dal 01/07/07	Oven door GN 2/1	
70	925.002.00		Oven counter door GN 2/1	
71	922.055.13		Door handle reinforcement GN 2/1	
72	9111066.00	Replacing 911.057.00 dal 01/07/07	Handle ass. for oven door GN 2/1	
74	683.004.00		Rung support for size 40 compartments	
75	683.005.00		GN 1/1 rung	
76	684.014.00		Magnet without disk RPV30+nut + R.	
77	911.443.13	Replacing 911.443.00 dal 01/07/07	Door ass. for compartment 400	
78	9111056.00	Replacing 911.056.00- 01/07/07	Door handle ass. for compartment 900	
79	611.178.00		Left door hinge ass. SP. 35 A	
80	611.177.00		Right door hinge ass. SP. 35 A	
81	921.679.00	Replacing 921.083.00 dal 01/07/07	Control panel 90/120 CFE	
82	682.003.00		Index plate	
83	682.004.00		Plate for oven index	
85	250.389.00		"Modular" trademark	
89	912.051.00	Replacing 912.011.00 dal 01/07/07	7-pos. electric knob ass. OD 82	
90	912.045.00	Replacing 912.005.00 dal 01/07/07	El. knob ass. 50-300°C OD 82	
91	911.025.00		Rear upstand ass. 90/120	
92	9211092.00	Replacing 911.019.00 dal 01/07/07	Rung upstand 90/120	
94	921.067.13		Cooker left side panel 90/120 CFE	

