

Зип Общепит

vsezip.ru

DESPIECE TECNICO

+7(812)987-08-81

**Lavadoras
Lava-linge
Washing machines
Waschmaschine
Lavatrici
Máquinas de lavar roupa**

Modelos:

LR-10 M

LA-10 M

LR-13 M

LA-13 M

Noviembre 2010 November

Revisado Enero 2012 January Revised

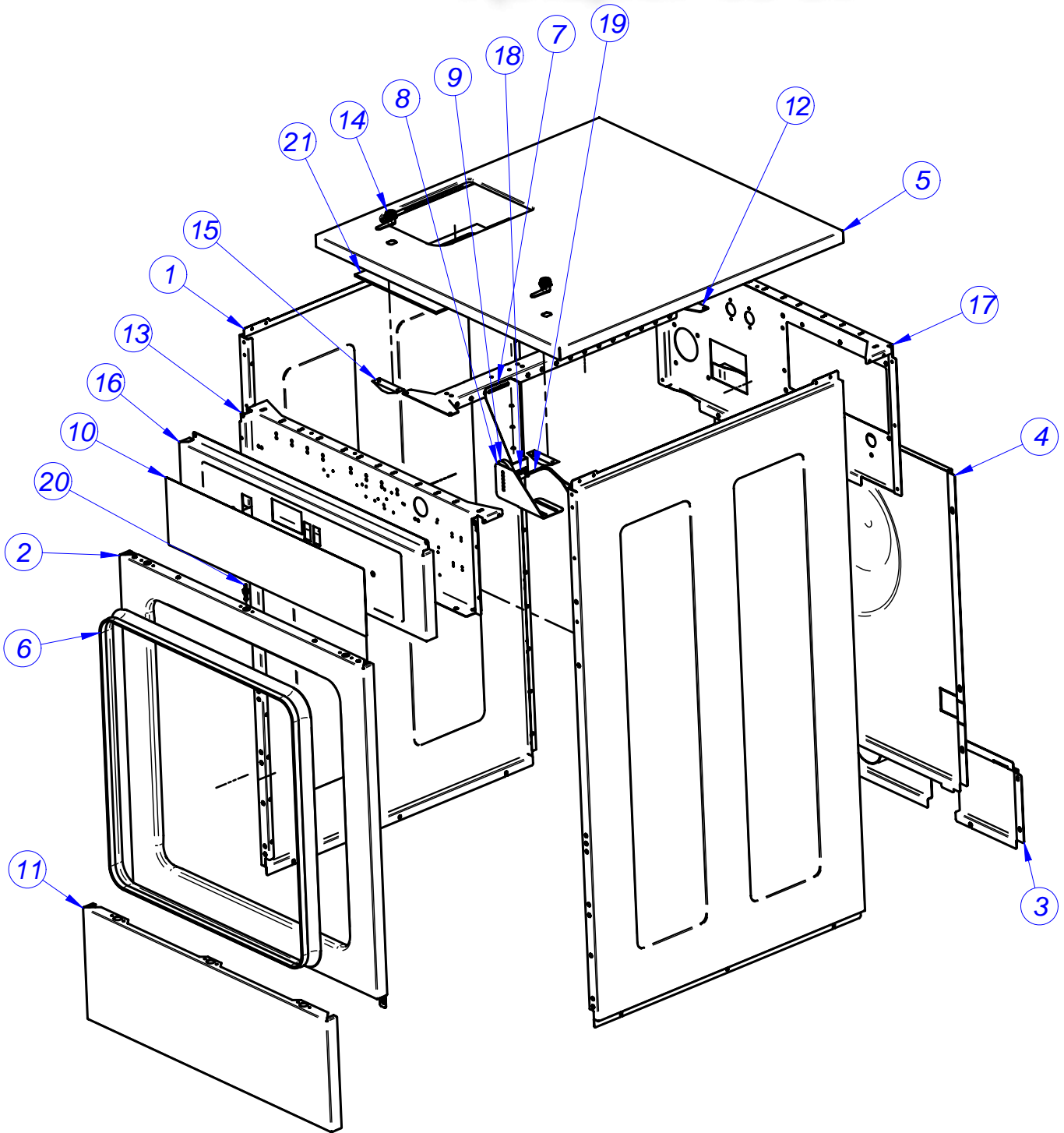


FAGOR INDUSTRIAL

Зип Общепит

vsezip.ru

+7(812)987-08-81



Зип Общественное предприятие "Водоканал" г. Челябинск
 МОНЕY / UNIT

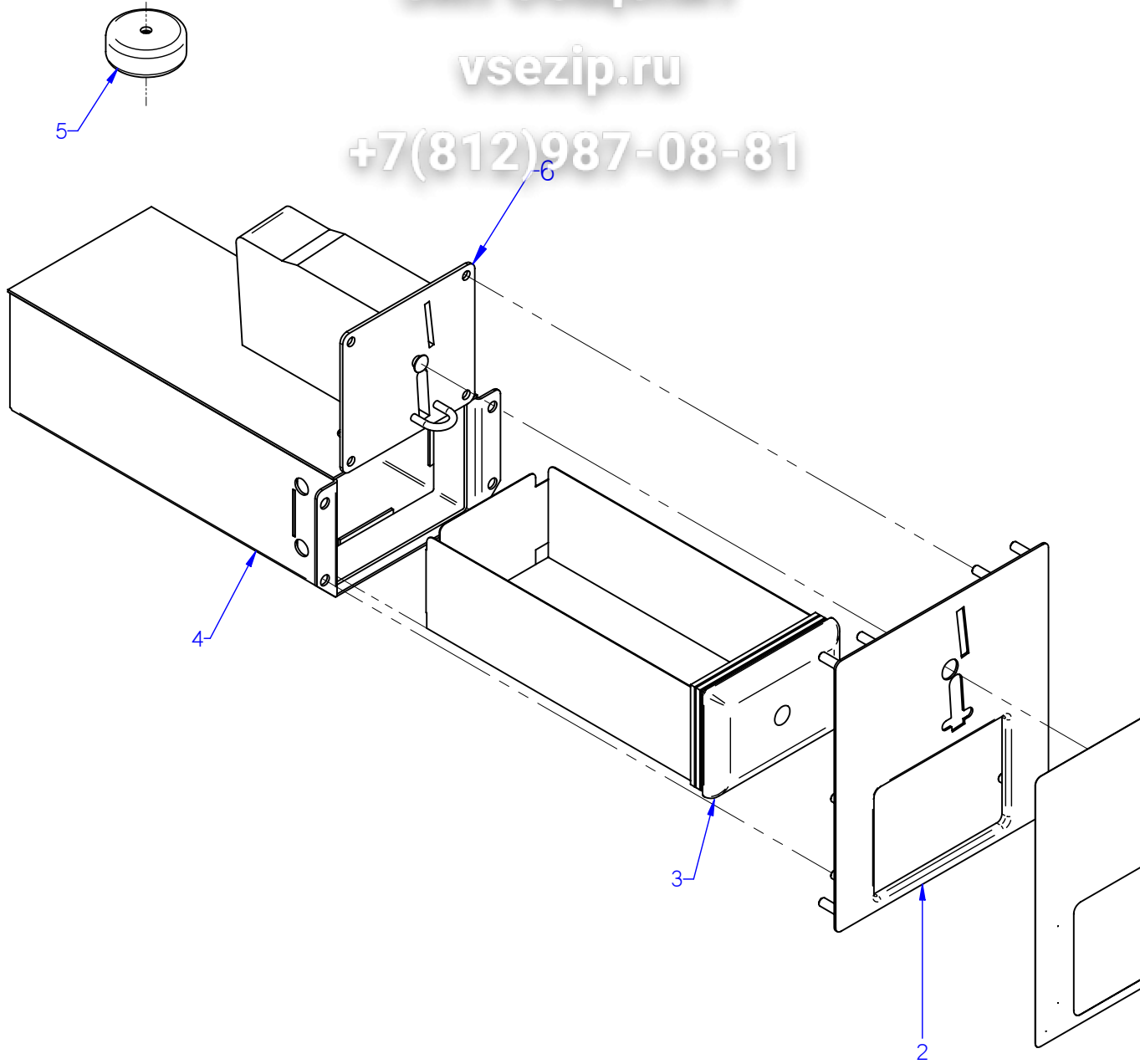
| ITEM | DENOMINACION | NAME | CODIGO | LR-10 | | | LA-10 | | | M |
|------|-------------------------|----------------------------|--|-------|----|--|-------|---|----|-----|
| | | | | M | MA | | MP | M | MA | |
| 1 | PANEL LATERAL | SIDE PANEL | P610359000 P620370000 | 2 | 2 | | 2 | 2 | 2 | 2 |
| 2 | PANEL FRONTAL | FRONT PANEL | P617806000 P627808000 | 1 | 1 | | 1 | 1 | 1 | 1 |
| S/Nº | CIERRE MUELLE | LOCK SPRING | X010503000 | 1 | 1 | | 1 | 1 | 1 | 1 |
| 3 | PANEL POSTERIOR DESAGUE | DRAINAGE REAR PANEL | P610306000 P620306000 | 1 | 1 | | 1 | 1 | 1 | 1 |
| 4 | PANEL POSTERIOR | REAR PANEL | P610362000 P620382000 | 1 | 1 | | 1 | 1 | 1 | 1 |
| 5 | ENCIMERA | WORKTOP | P610353000 P620375000 | 1 | 1 | | 1 | 1 | 1 | 1 |
| S/Nº | CANTONERA R1 | R1 CORNER | 12039188 | 2 | 2 | | 2 | 2 | 2 | 2 |
| 6 | CORTINA (METROS) | CURTAIN (METRES) | P620324000 | 2 | 2 | | 2 | 2 | 2 | 2,5 |
| 7 | PORTA SENSOR DESEQ. | IMBALANCE SENSOR HOLDER | P627064000 P630315000 | | | | 1 | 1 | 1 | |
| 8 | SOPORTE IMAN DESEQ. | IMBALANCE MAGNET HOLDER | P627063000 | | | | 1 | 1 | 1 | |
| 9 | IMAN DESEQUILIBRIO | IMBALANCE MAGNET HOLDER | P620337000 | | | | 1 | 1 | 1 | |
| 10 | ADHESIVO | ADHESIVE | P623039000 P623038000 P623040000 | 1 | | | | 1 | | 1 |
| 11 | ZOCALO | SKIRTING | P617807000 P627807000 | 1 | 1 | | 1 | 1 | 1 | 1 |
| | KIT ZOCALO 10 | ZOCALO KIT 10 | 1300000195 | | | | | | | |
| | KIT ZOCALO 13 | ZOCALO KIT 13 | 1300000196 | | | | | | | |
| 12 | TRAVESANO CUBETERA | TRAY CROSS PIECE | P620377000 | 1 | 1 | | 1 | 1 | 1 | 2 |
| 13 | CONTRAPORTAMANDOS | COUNTERCONTROL HOLDER | P610356000 P610361000 P620373000 P620381000 | 1 | 1 | | 1 | 1 | 1 | 1 |
| 14 | CERRADURA | LOCK | P620351000 P620387000 | 2 | | | 2 | 2 | | 2 |
| 15 | RAMPA CIERRE ENCIMERA | WORKTOP LOCK RAMP | P620379000 | 2 | 2 | | 2 | 2 | 2 | 2 |
| 16 | PORTAMANDOS | CONTROL HOLDER | P610357000 P610358000 P620374000 P620380000 | 1 | | | 1 | 1 | | 1 |
| 17 | SOPORTE ELECTROVALVULAS | SOLENOID VALVE SUPPORT | P610352000 P620372000 | 1 | 1 | | 1 | 1 | 1 | 1 |
| 18 | AMARRE SENSOR | IMBALANCE SENSOR FASTENIN. | Z203010000 | | | | 1 | 1 | 1 | |
| 19 | SENSOR DESEQUILIBRIO | SENSOR IMBALANCE | Z203009000 | | | | 1 | 1 | 1 | |

| ITEM | DENOMINACION | NOMBRE | CODIGO | LR-10 | | | LA-10 | | | L |
|------|--------------|-----------|------------|-------|----|--|-------|----|----|----|
| | | | | M | MA | | MP | M | MA | |
| 20 | PITON | PITON | X012612000 | 10 | 10 | | 10 | 10 | 10 | 10 |
| 21 | JUNTA CUBETA | TRAY SEAL | P610330000 | 1 | 1 | | 1 | 1 | 1 | 1 |
| | | | | | | | | | | |
| | | | | | | | | | | |
| | | | | | | | | | | |
| | | | | | | | | | | |
| | | | | | | | | | | |
| | | | | | | | | | | |
| | | | | | | | | | | |
| | | | | | | | | | | |
| | | | | | | | | | | |
| | | | | | | | | | | |
| | | | | | | | | | | |
| | | | | | | | | | | |
| | | | | | | | | | | |
| | | | | | | | | | | |
| | | | | | | | | | | |
| | | | | | | | | | | |
| | | | | | | | | | | |
| | | | | | | | | | | |
| | | | | | | | | | | |
| | | | | | | | | | | |
| | | | | | | | | | | |
| | | | | | | | | | | |
| | | | | | | | | | | |
| | | | | | | | | | | |
| | | | | | | | | | | |
| | | | | | | | | | | |
| | | | | | | | | | | |
| | | | | | | | | | | |

Зип Общепит

vsezip.ru

+7(812)987-08-81



KIT MONEDERO

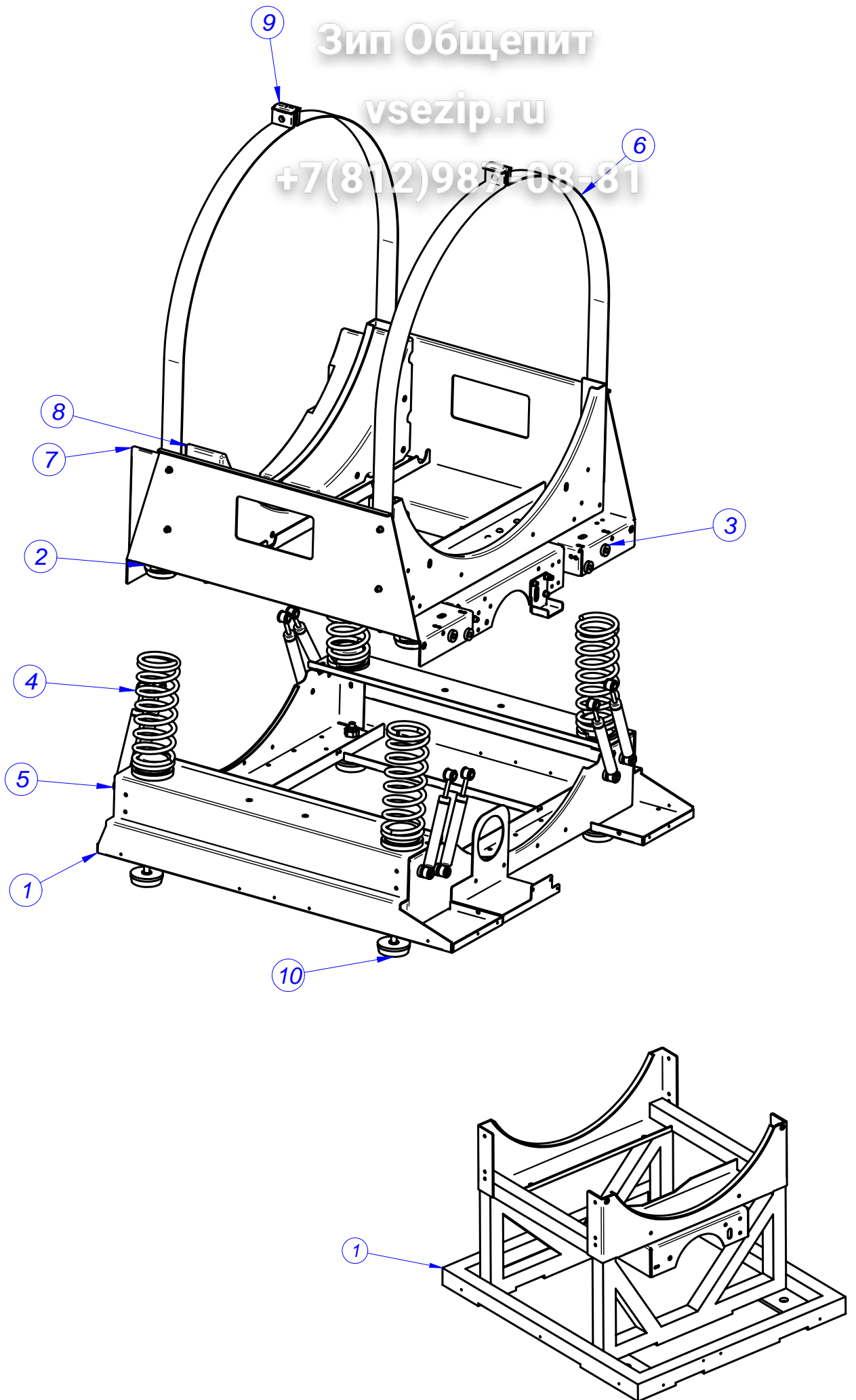
3m Общепит KIT MONEDERO / COIN SLOT KIT

| ITEM | DENOMINACION | NOME | CODIGO | LR-10 | | | LA-10 | | | L |
|------|---------------------------------------|----------------------------|-------------------|-------|----|--|-------|---|----|---|
| | | | | M | MA | | MP | M | MA | |
| | KIT COIN FAGOR EU+UK | | 1300000203 | | | | | | | |
| | KIT COIN FAGOR USA+MEX+CAN | | 1300000205 | | | | | | | |
| | KIT COIN FAGOR TAIWAN+MALAYSIA | | 1300000206 | | | | | | | |
| | KIT COIN FAGOR AUSTRALIA | | 1300000207 | | | | | | | |
| 1 | ADHESIVO MONEDERO FAGOR | COIN SLOT ADHESIVE FAGOR | P623041000 | | 1 | | | | 1 | |
| 2 | CHAPA MONEDERO COMPL. | COIN SLOT PLATE COMPL. | P614005000 | | 1 | | | | 1 | |
| S/Nº | CHAPA TAPA MONEDERO COMPL. | COIN SLOT PLATE TOP COMPL. | P614042000 | | 1 | | | | 1 | |
| 3 | CAJON MONEDAS | COIN DRAWER | P610407000 | | 1 | | | | 1 | |
| 4 | PORTA CAJA MONEDAS COMPL. | COIN BOX HOLDER COMPL. | P614011000 | | 1 | | | | 1 | |
| 5 | TRANSFORMADOR MONEDERO | COIN SLOT TRANSFORMER | P624014000 | | 1 | | | | 1 | |
| 6 | MONEDERO ELECTRONICO WH | ELECTRONIC COIN SLOT WH | P628206000 | | 1 | | | | 1 | |
| S/Nº | CAJART.DD-250X250X250 | CAJART.DD-250X250X250 | CAJSAT0025 | | 1 | | | | 1 | |
| | | | | | | | | | | |
| | | | | | | | | | | |
| | | | | | | | | | | |
| | | | | | | | | | | |
| | | | | | | | | | | |
| | | | | | | | | | | |
| | | | | | | | | | | |
| | | | | | | | | | | |
| | | | | | | | | | | |
| | | | | | | | | | | |
| | | | | | | | | | | |
| | | | | | | | | | | |
| | | | | | | | | | | |
| | | | | | | | | | | |
| | | | | | | | | | | |
| | | | | | | | | | | |
| | | | | | | | | | | |
| | | | | | | | | | | |
| | | | | | | | | | | |
| | | | | | | | | | | |
| | | | | | | | | | | |
| | | | | | | | | | | |

Зип Общепит

vsezip.ru

+7(812)984-08-81



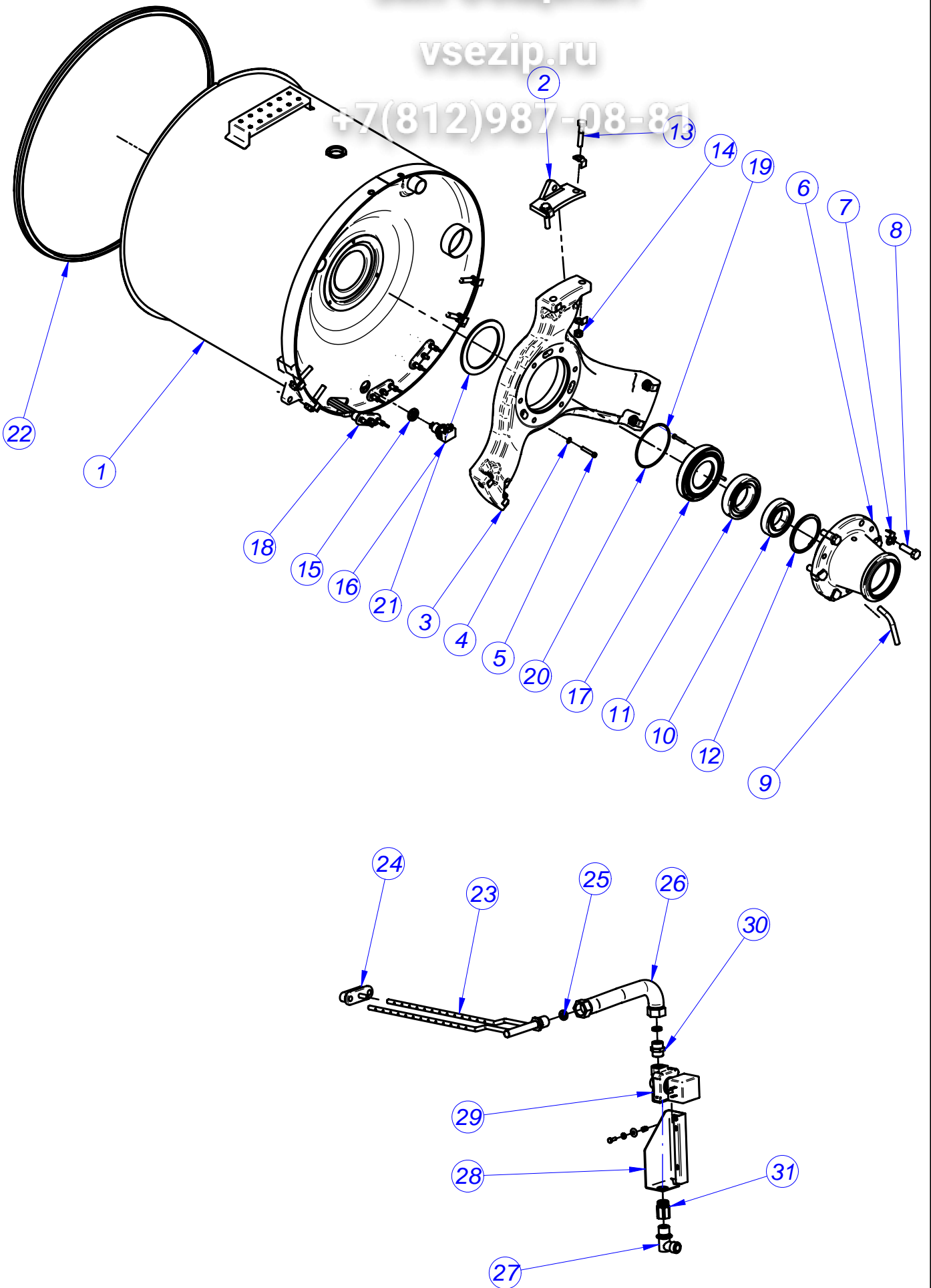
CUNA - ARMAGON / CRADLE - FRAME

| ITEM | DENOMINACION | NAME | CODIGO | LR-10 | | | LA-10 | | | L |
|------|------------------------|---------------------|------------|-------|----|--|-------|---|----|---|
| | | | | M | MA | | MP | M | MA | M |
| 1 | ARMAGON | FRAME | P614001000 | 1 | 1 | | | | | |
| | | | P614040000 | 1 | 1 | | | | | |
| | | | P610114000 | | | | 1 | 1 | 1 | |
| | | | P624001000 | | | | | | | 1 |
| | | | P624032000 | | | | | | | 1 |
| 2 | BASE MUELLE | SPRING BASE | P620106000 | | | | 8 | 8 | 8 | |
| 3 | CASQUILLO AMORTIGUADOR | DAMPER BUSHING | P620107000 | | | | 8 | 8 | 8 | |
| 4 | MUELLE | SPRING | P610105000 | | | | 4 | 4 | 4 | |
| | | | P620105000 | | | | | | | |
| 5 | ABSORBER | DAMPER | P620115000 | | | | 4 | 4 | 4 | |
| | | | P620126000 | | | | | | | |
| 6 | CUNA | CRADLE | P610216000 | | | | 1 | 1 | 1 | |
| | | | P620207000 | | | | | | | |
| 7 | CONTRAPESO ANTERIOR | FRONT COUNTERWEIGHT | P610207000 | | | | 2 | 2 | 2 | |
| | | | P620201000 | | | | | | | |
| 8 | CONTRAPESO POSTERIOR | REAR COUNTERWEIGHT | P610207000 | | | | 2 | 2 | 2 | |
| | | | P620201000 | | | | | | | |
| 9 | AMARRE ABRAZADERA | CLAMP FASTENING | P640215000 | 4 | 4 | | 4 | 4 | 4 | 4 |
| 10 | PATA | LEG | P626521000 | | | | 4 | 4 | 4 | |
| | | | | | | | | | | |
| | | | | | | | | | | |
| | | | | | | | | | | |
| | | | | | | | | | | |
| | | | | | | | | | | |
| | | | | | | | | | | |
| | | | | | | | | | | |
| | | | | | | | | | | |
| | | | | | | | | | | |
| | | | | | | | | | | |
| | | | | | | | | | | |
| | | | | | | | | | | |
| | | | | | | | | | | |
| | | | | | | | | | | |
| | | | | | | | | | | |
| | | | | | | | | | | |
| | | | | | | | | | | |
| | | | | | | | | | | |
| | | | | | | | | | | |
| | | | | | | | | | | |
| | | | | | | | | | | |
| | | | | | | | | | | |

Зип Ощепит

vsezip.ru

+7(812)987-08-81



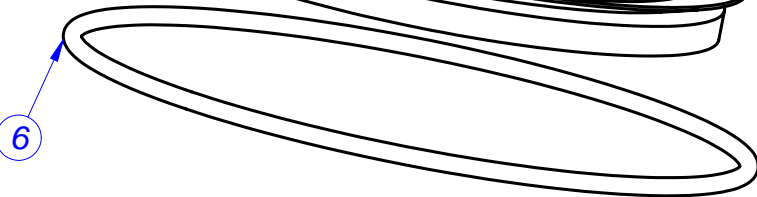
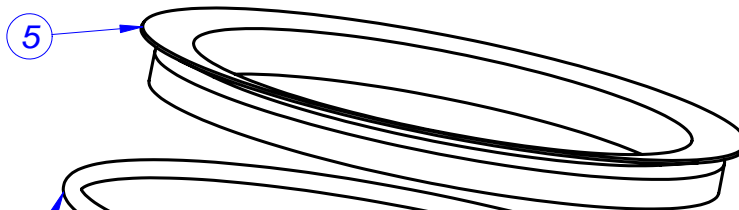
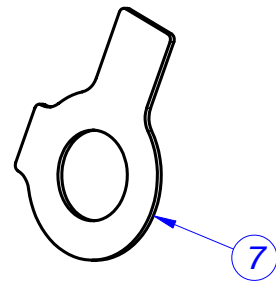
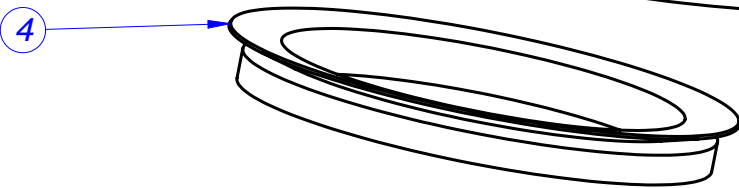
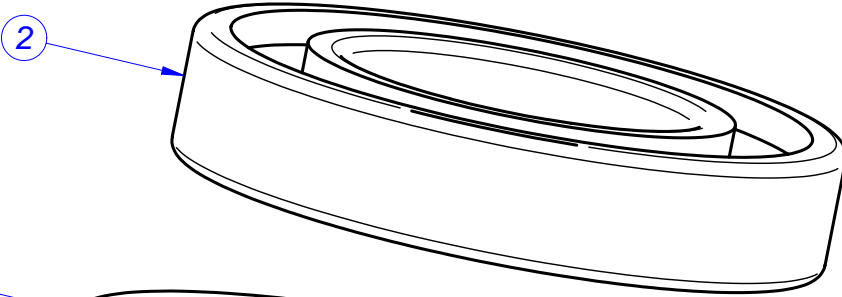
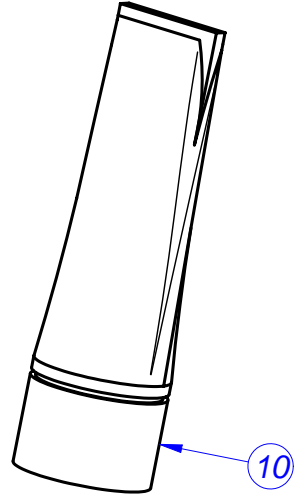
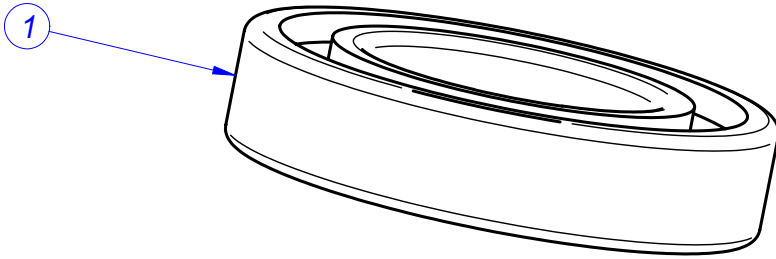
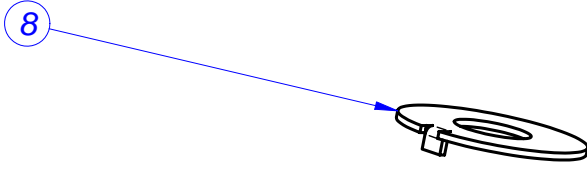
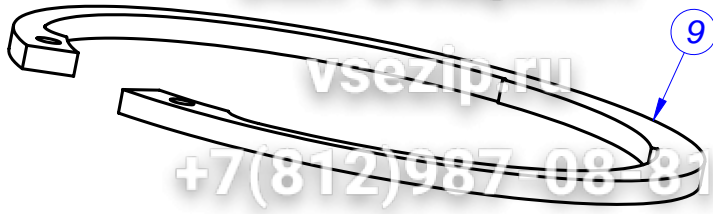
| ITEM | DENOMINACION | NAME | CODIGO | LR-10 | | | LA-10 | | | E |
|------|---------------------------|----------------------------|------------|-------|----|----|-------|----|----|----|
| | | | | E | AC | V | E | AC | V | |
| 1 | CUBA | TUB | P616117000 | 1 | 1 | 1 | 1 | 1 | 1 | |
| S/Nº | TAPÓN DESAGÜE | DRAIN PLUG | P61615000 | | | | | | | 1 |
| 2 | APOYO TORNILLOS | SCREW SUPPORT | T305052000 | 1 | 1 | 1 | 1 | 1 | 1 | 1 |
| | | | P616011000 | 1 | 1 | 1 | 1 | 1 | 1 | |
| | | | P626014000 | | | | | | | 1 |
| 3 | REFUERZO FONDO CUBA | TUB BASE REINFORCEMENT | P616003000 | 1 | 1 | 1 | 1 | 1 | 1 | |
| | | | P626001000 | | | | | | | 1 |
| 4 | ARANDELA | WASHER | Q232040000 | 3 | 3 | 3 | 3 | 3 | 3 | 3 |
| 5 | TORN. INTERIOR REFUERZO | HEXAGONAL INTERIOR REINFOR | Q122045000 | 3 | 3 | 3 | 3 | 3 | 3 | 3 |
| 6 | SOPORTE RODAMIENTOS | BEARING SUPPORT | P616004000 | 1 | 1 | 1 | 1 | 1 | 1 | |
| | | | P626002000 | | | | | | | 1 |
| 7 | ARANDELA SEGURIDAD | SAFETY WASHER | Q271302000 | 18 | 18 | 18 | 18 | 18 | 18 | 6 |
| | | | Q271306000 | | | | | | | 12 |
| | | | Q271304000 | | | | | | | |
| 8 | TORN. SOP. RODAMIENTOS | BEARING SUPPORT SCREW | Q151528000 | 6 | 6 | 6 | 6 | 6 | 6 | |
| | | | Q151529000 | | | | | | | 6 |
| 9 | TUBO EVACUACION | DRAINAGE PIPE | P626015000 | 1 | 1 | 1 | 1 | 1 | 1 | 1 |
| 10 | RODAMIENTO EXTERIOR | OUTER BEARING | P616008000 | 1 | 1 | 1 | 1 | 1 | 1 | |
| | | | P626008000 | | | | | | | 1 |
| 11 | RODAMIENTO INTERIOR | INNER BEARING | P616009000 | 1 | 1 | 1 | 1 | 1 | 1 | |
| | | | P626009000 | | | | | | | 1 |
| 12 | ANILLO SEGURIDAD | CIRCLIP | Q301044000 | 1 | 1 | 1 | 1 | 1 | 1 | |
| | | | Q301030000 | | | | | | | 1 |
| 13 | TORN. REFUERZO CUBA | TUB REINFORCEMENT SCREW | Q151529000 | 6 | 6 | 6 | 6 | 6 | 6 | |
| | | | Q151530000 | | | | | | | 6 |
| 14 | TUERCA REFUERZO CUBA | TUB REINFORCEMENT NUT | Q221307000 | 6 | 6 | 6 | 6 | 6 | 6 | |
| | | | Q221338000 | | | | | | | 6 |
| 15 | SOP.TERMOSTATO 1001713 | THERMOSTAT SUPPORT 1001713 | N503017000 | 1 | 1 | 1 | 1 | 1 | 1 | 1 |
| 16 | SONDA TEMPERATURA | TEMPERATURE PROBE | P503025000 | 1 | 1 | 1 | 1 | 1 | 1 | 1 |
| 17 | CASQUILLO CONTRARETEN | COUNTERSEAL BUSHING | P616005000 | 1 | 1 | 1 | 1 | 1 | 1 | |
| | | | P626003000 | | | | | | | 1 |
| 18 | RESISTENCIA CALENTAMIENTO | HEATING RESISTOR | P613008000 | 3 | 1 | | 3 | 1 | | |
| | | | P623005000 | | | | | | | 3 |
| 19 | TORN. CASQ. CONTRARETEN | COUNTERSEAL BUSHING SCREW | Q122034000 | 3 | 3 | 3 | 3 | 3 | 3 | 3 |
| 20 | JUNTA TÓRICA | O-RING | Q307073000 | 1 | 1 | 1 | 1 | 1 | 1 | |
| | | | Q307075000 | | | | | | | 1 |
| 21 | JUNTA CASQ. CONTRARETEN | COUNTERSEAL BUSHING SCREW | P616013000 | 1 | 1 | 1 | 1 | 1 | 1 | 1 |
| 22 | JUNTA CUBA | TUB SEAL | P616104000 | 1 | 1 | 1 | 1 | 1 | 1 | |
| | | | P626110000 | | | | | | | 1 |
| 23 | INYECTOR VAPOR 10,13,18 | STEAM JET 10,13,18 | P615001000 | | | 1 | | | | 1 |

| ITEM | DENOMINACION | NAVE | CODIGO | LR-10 | | | LA-10 | | | L |
|------|---------------------------|-------------------------|------------|-------|----|---|-------|----|---|---|
| | | | | E | AC | V | E | AC | V | |
| 24 | CIERRE INYECTOR | INJECTOR LOCK | P445011000 | | | 1 | | | 1 | |
| 25 | ARANDELA VAPOR 10, 13, 18 | STEAM WASHER 10, 13, 18 | P615002000 | | | 2 | | | 2 | |
| 26 | MANGUERA VAPOR | STEAM HOSE | P525005000 | | | 1 | | | 1 | |
| 27 | CODO | L-BEND | S115013000 | | | 1 | | | 1 | |
| 28 | SOPORTE VALVULA | VALVE SUPPORT | P620327000 | | | 1 | | | 1 | |
| 29 | VALVULA VAPOR | STEAM VALVE | P615003000 | | | 1 | | | 1 | |
| 30 | RACOR M-M | M-M CONNECTION | S205023000 | | | 1 | | | 1 | |
| 31 | RACOR H-M | H-M CONNECTION | X162101000 | | | 1 | | | 1 | |
| | | | | | | | | | | |
| | | | | | | | | | | |
| | | | | | | | | | | |
| | | | | | | | | | | |
| | | | | | | | | | | |
| | | | | | | | | | | |
| | | | | | | | | | | |
| | | | | | | | | | | |
| | | | | | | | | | | |
| | | | | | | | | | | |
| | | | | | | | | | | |
| | | | | | | | | | | |
| | | | | | | | | | | |
| | | | | | | | | | | |
| | | | | | | | | | | |
| | | | | | | | | | | |
| | | | | | | | | | | |
| | | | | | | | | | | |
| | | | | | | | | | | |
| | | | | | | | | | | |
| | | | | | | | | | | |
| | | | | | | | | | | |

Зип Общепит

vsezip.ru

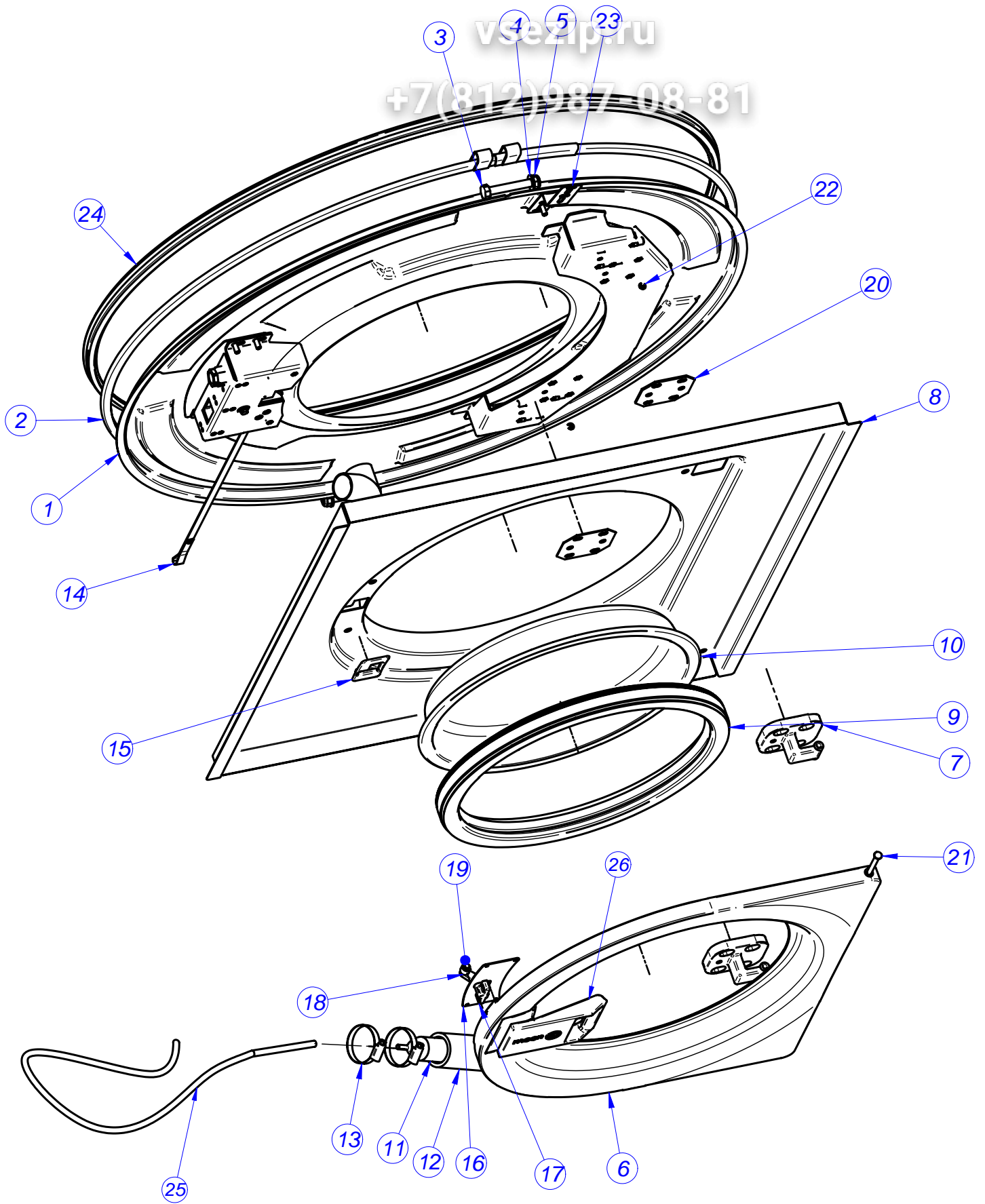
+7(812)987-08-83



Зип Общепит

vsezip.ru

+7(812)987-08-81



3ин Общественно
vsezip.ru
+7(812)987-13331

FRENTE CUBA / TUB FRONT

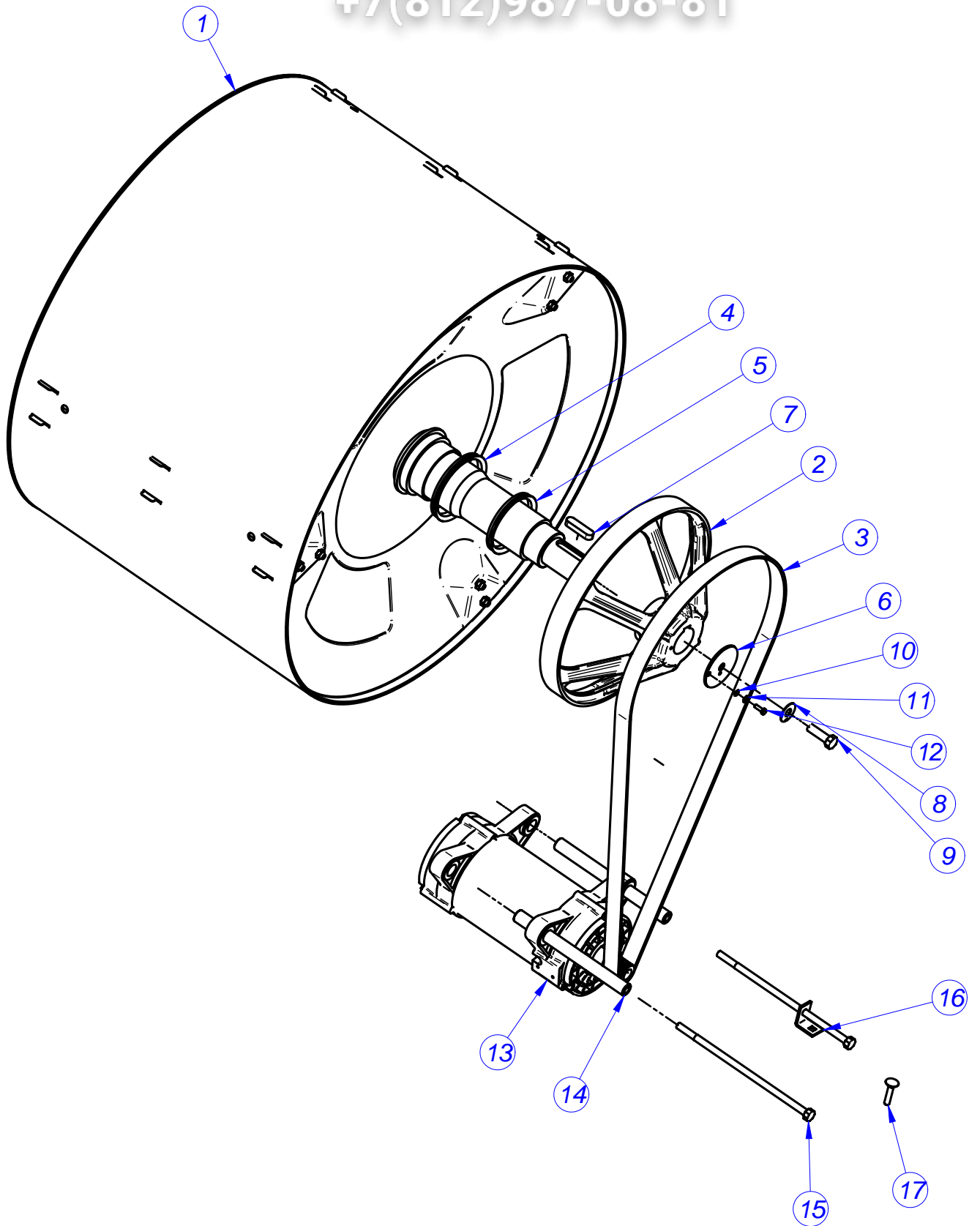
| ITEM | DENOMINACION | NAVE | CODIGO | LR-10 | LA-10 | L |
|------|----------------------------|----------------------------|--------------------------|-------|-------|---|
| 1 | FRENTE CUBA COMPLETO | COMPLETE TUB FRONT | P616112000 | 1 | 1 | |
| 2 | CIERRE CUBA | TUB LOCK | P626112000 P626118000 | 1 | 1 | |
| 3 | TORNILLO CIERRE CUBA | TUB LOCK SCREW | Q011369000 | 1 | 1 | |
| 4 | ARAND. CIERRE | GROWER LOCK | Q232060000 | 2 | 2 | |
| 5 | TUERCA CIERRE CUBA | TUB LOCK NUT | Q221306000 | 1 | 1 | |
| 6 | PUERTA CON MANETA | DOOR WITH LEVER | P610512000 P620532000 | 1 | 1 | |
| S/Nº | PUERTA 8 | DOOR 8 | P610502000 | 1 | 1 | |
| S/Nº | PUERTA 13,8 | DOOR 13,8 | P620503000 | | | |
| S/Nº | MANETA PUERTA FAGOR | DOOR HANDLE FAGOR | P620533000 | 1 | 1 | |
| S/Nº | POMO FAGOR 2010 | KNOB FAGOR 2010 | P640502000 | 1 | 1 | |
| S/Nº | TOR ALLEN M6x20 DIN 7984 | ALLEN SCREW M6x20 DIN 7984 | Q152062000 | 2 | 2 | |
| S/Nº | ARANDELA SEGURIDAD 4 | WASHER SAFETY 4 | Q272020000 | 2 | 2 | |
| S/Nº | MUELLE CIERRE | SPRING LOCK | P620510000 | 1 | 1 | |
| S/Nº | PASADOR CIERRE | LOCKING PIN | P620511000 | 1 | 1 | |
| 7 | BISAGRA PUERTA | DOOR HINGE | P620502000 | 2 | 2 | |
| 8 | FONDO PUERTA | DOOR BASE | P610501000 P620501000 | 1 | 1 | |
| S/Nº | PERFIL GOMA NEGRO EN U 9*4 | BLACK RUBBER PROFILE U 9*4 | 3701700000 | 1 | 1 | |
| S/Nº | PERFIL GOMA GRIS EN U 12*6 | GREY RUBBER PROFILE U12*6 | 3673700000 | | | |
| 9 | JUNTA PUERTA | DOOR SEAL | P610508000 P620528000 | 1 | 1 | |
| 10 | MIRILLA PUERTA | DOOR WINDOW | P440503000 P530503000 | 1 | 1 | |
| 11 | CAMARA PRESOSTATO | PRESSURE SWITCH | Q232060000 | 1 | 1 | |
| 12 | CONDUCTO UNION | PIPE UNION | P502106000 | 1 | 1 | |
| 13 | ABRAZADERA | CLAMP | Q881306000 | 2 | 2 | |
| 14 | CIERRE COMPLETO | COMPLETE LOCK | P620516000 P620531000 | 1 | 1 | |
| 15 | EMBELLECEDOR CIERRE | LOCK TRIM | P620515000 | 1 | 1 | |
| 16 | TAPA CIERRE | LID CLOSURE | P610504000 P627816000 | 1 | 1 | |
| 17 | GANCHO CIERRE | LOCK HOOK | P620505000 | 1 | 1 | |
| 18 | CASQUILLO | BUSHING | P610506000 | 1 | 1 | |
| 19 | ANILLO SEGURIDAD | CIRCLIP | Q302061000 | 1 | 1 | |
| 20 | CALZO BISAGRA | HINGE WEDGE | P620521000 | 4 | 4 | |
| 21 | PASADOR PUERTA | DOOR PIN | P620514000 | 2 | 2 | |
| 22 | ARANDELA SEGURIDAD 4 | SAFETY WASHER 4 | Q272020000 | 2 | 2 | |

| ITEM | DENOMINACION | NOMBRE | CODIGO | LR-10 | LA-10 | L |
|------|-----------------------|-------------------------|--------------------------|-------|-------|---|
| 23 | SOPORTE CONDUCTO | PIPE SUPPORT | P626128000 | 1 | 1 | |
| 24 | JUNTA CUBA | TUB SEAL | P626112000 P626110000 | 1 | 1 | |
| 25 | TUBO GOMA NEGRO Ø 8*4 | BLACK RUBBER HOSE Ø 8*4 | 3702400000 | 1 | 1 | |
| 26 | POMO FAGOR 2010 | FAGOR 2010 KNOB | P640502000 | 1 | 1 | |
| S/Nº | MANETA PUERTA FAGOR | DOOR HANDLE FAGOR | P620533000 | 1 | 1 | |
| | | | | | | |
| | | | | | | |
| | | | | | | |
| | | | | | | |
| | | | | | | |
| | | | | | | |
| | | | | | | |
| | | | | | | |
| | | | | | | |
| | | | | | | |
| | | | | | | |
| | | | | | | |
| | | | | | | |
| | | | | | | |
| | | | | | | |
| | | | | | | |
| | | | | | | |
| | | | | | | |
| | | | | | | |
| | | | | | | |
| | | | | | | |
| | | | | | | |

Зип Ощепит

vsezip.ru

+7(812)987-08-81

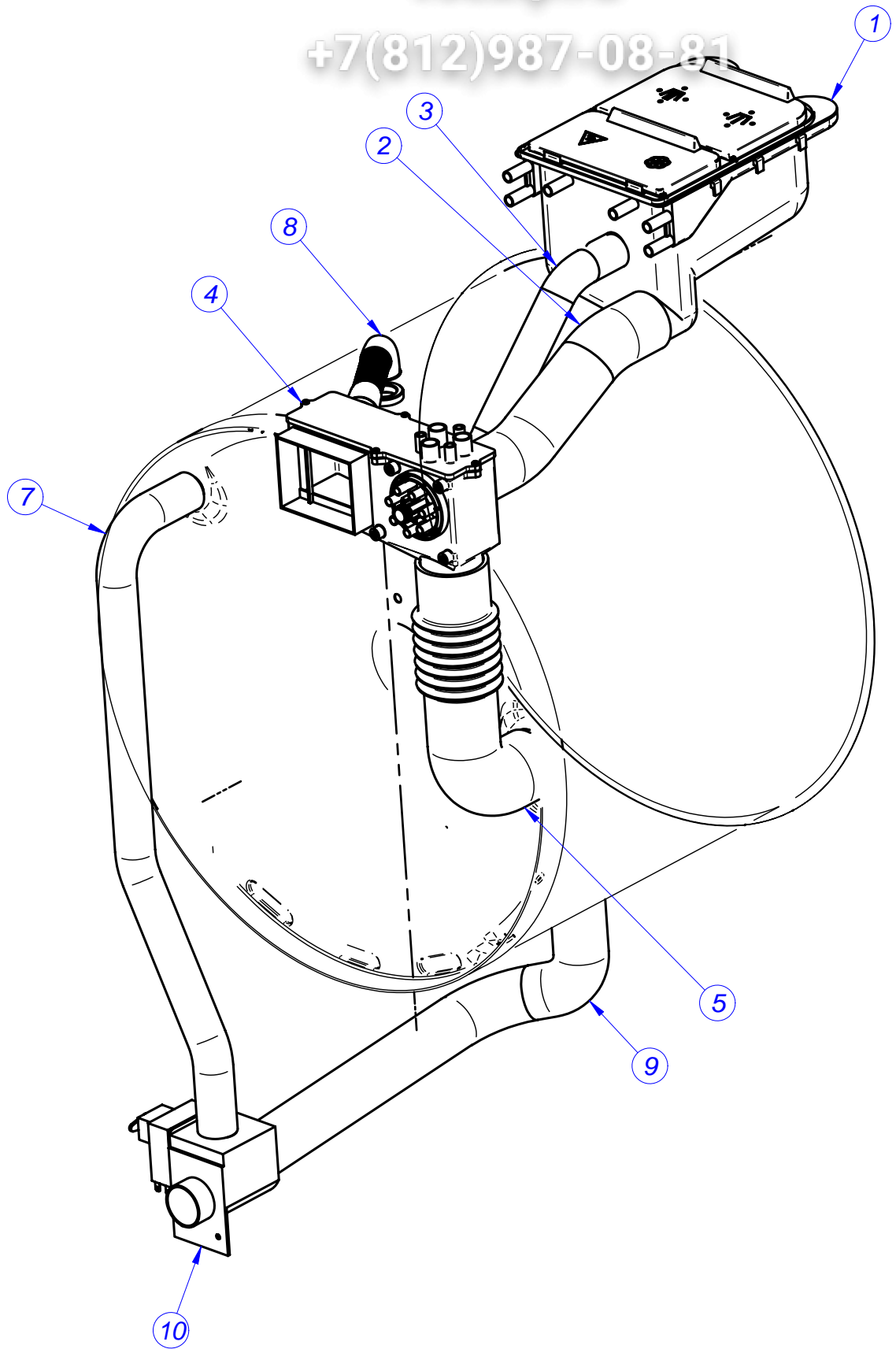


| ITEM | DENOMINACION | NAVE | CODIGO | LR-10 | | | LA-10 | | | L |
|------|-----------------------|----------------------|--------------------------|-------|----|--|-------|---|----|---|
| | | | | M | MA | | MP | M | MA | |
| 1 | TAMBOR COMPLETO | COMPLETE DRUM | P614916000 P624909000 | 1 | 1 | | 1 | 1 | 1 | |
| 2 | POLEA | PULLEY | P616006000 P626006000 | 1 | 1 | | 1 | 1 | 1 | |
| 3 | CORREA | BELT | P615902000 P625903000 | 1 | 1 | | 1 | 1 | 1 | |
| 4 | RETEN V-RING 1 | V-RING RETAINER 1 | P634911000 P624914000 | 1 | 1 | | 1 | 1 | 1 | |
| 5 | RETEN V-RING 2 | V-RING RETAINER 2 | P614911000 P624913000 | 1 | 1 | | 1 | 1 | 1 | |
| 6 | ARANDELA POLEA | PULLEY WASHER | P616010000 P626012000 | 1 | 1 | | 1 | 1 | 1 | |
| 7 | CHAVETA | COTTER PIN | P614914000 P626010000 | 1 | 1 | | 1 | 1 | 1 | |
| 8 | ARANDELA SEGURIDAD | SAFETY WASHER | Q301329000 | 1 | 1 | | 1 | 1 | 1 | |
| 9 | TORNILLO POLEA | PULLEY SCREW | Q011376000 | 1 | 1 | | 1 | 1 | 1 | |
| 10 | ARANDELA A5 | WASHER A5 | Q232030000 | 1 | 1 | | 1 | 1 | 1 | |
| 11 | ARAND.ABAN. A5 A.304 | FAN WASHER A5 A.304 | Q242030000 | 1 | 1 | | 1 | 1 | 1 | |
| 12 | TORN.EXA. M5X15 A.304 | HEX BOLT M5X15 A.304 | Q012032000 | 1 | 1 | | 1 | 1 | 1 | |
| 13 | MOTOR | ENGINE | P615906000 P625905000 | 1 | 1 | | 1 | 1 | 1 | |
| 14 | TUBO SOPORTE MOTOR | MOTOR SUPPORT HOSE | P615908000 P625901000 | 2 | 2 | | 2 | 2 | 2 | |
| 15 | TORNILLO MOTOR | MOTOR SCREW | Q151525000 Q151526000 | 2 | 2 | | 2 | 2 | 2 | |
| 16 | TENSOR MOTOR | MOTOR TENSOR | P620214000 | 1 | 1 | | 1 | 1 | 1 | |
| 17 | TORNILLO TENSOR | TENSOR SCREW | Q151393000 | 1 | 1 | | 1 | 1 | 1 | |
| | | | | | | | | | | |
| | | | | | | | | | | |
| | | | | | | | | | | |
| | | | | | | | | | | |
| | | | | | | | | | | |
| | | | | | | | | | | |
| | | | | | | | | | | |
| | | | | | | | | | | |
| | | | | | | | | | | |
| | | | | | | | | | | |
| | | | | | | | | | | |

Зип Общепит

vsezip.ru

+7(812)987-08-81



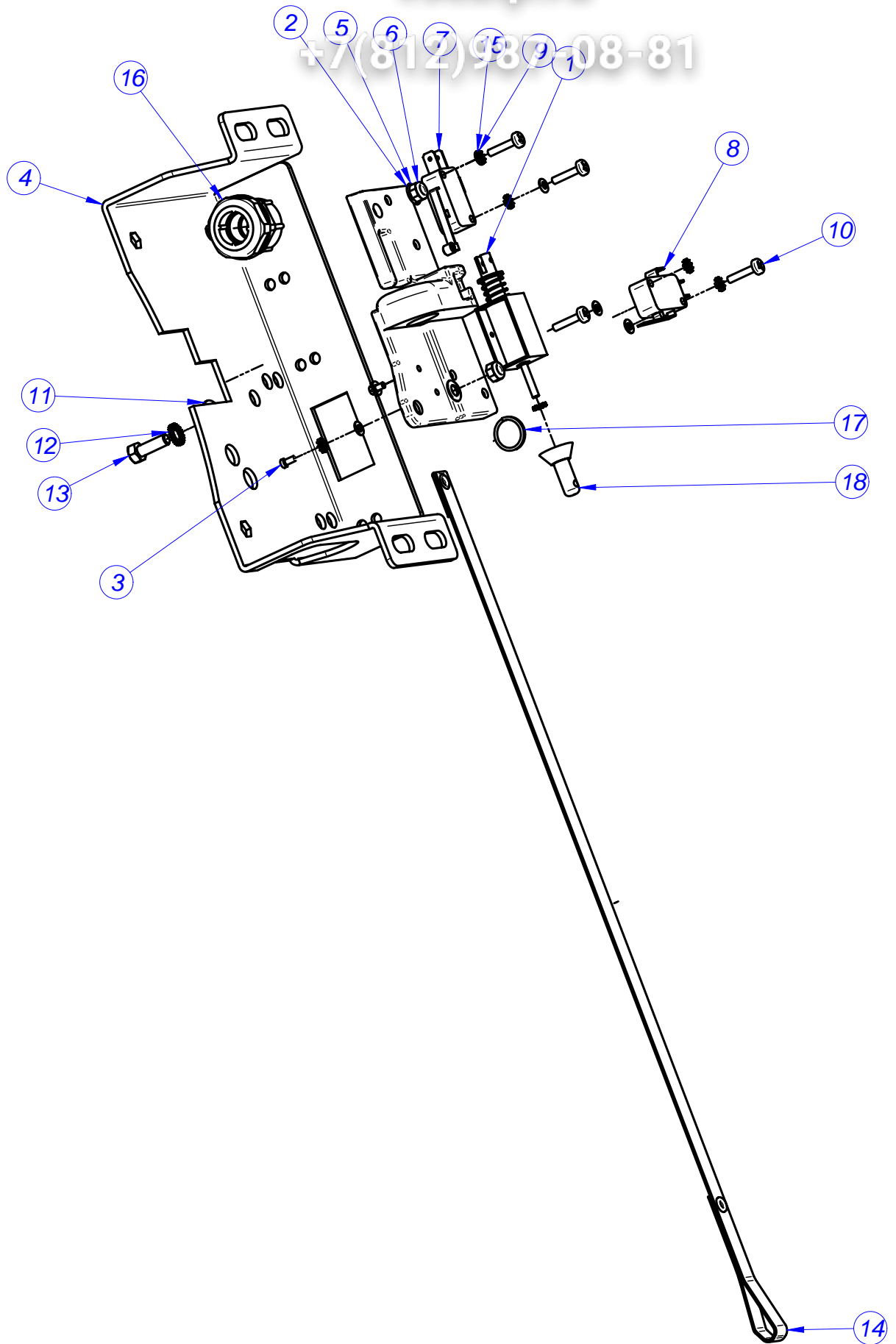
Зип Общественная / TRAY

| ITEM | DENOMINACION | NAME | CODIGO | LR-10 | | | LA-10 | | | L |
|------|------------------------------|---------------------------|------------|-------|----|--|-------|---|----|---|
| | | | | M | MA | | MP | M | MA | |
| 1 | CUBETA DETERGENTES | DETERGENT TRAY | P620712000 | 1 | 1 | | 1 | 1 | 1 | 1 |
| S/Nº | TAPON CUBETA DETERGENTES | DETERGENT TRAY SUPPORT | P620724000 | 2 | 2 | | 2 | 2 | 2 | 2 |
| S/Nº | APOYO CUBETA DETERGENTES | DETERGENT TRAY SUPPORT | P610380000 | 1 | 1 | | 1 | 1 | 1 | 1 |
| 2 | CONDUCTO CUBETERA | TRAY PIPE | P610713000 | 1 | 1 | | 1 | 1 | 1 | 1 |
| | | | P634022000 | | | | | | | |
| | | | P630705000 | | | | | | | |
| | | | P644033000 | | | | | | | |
| 3 | CONDUCTO REBOSADERO CUBETERA | TRAY OVERFLOW PIPE | P610714000 | 1 | 1 | | 1 | 1 | 1 | 1 |
| | | | P634023000 | | | | | | | |
| | | | P630706000 | | | | | | | |
| | | | P644034000 | | | | | | | |
| 4 | CAJA COLECTOR | MANIFOLD BOX | P620723000 | 1 | 1 | | 1 | 1 | 1 | 1 |
| S/Nº | BARRERA COLECTOR | COLLECTOR BARRIER | P610717000 | 1 | 1 | | 1 | 1 | 1 | 1 |
| S/Nº | BARRERA COLECT. OPUESTA | COLLECT. BARRIER OPPOSITE | P610718000 | 1 | 1 | | 1 | 1 | 1 | 1 |
| S/Nº | TAPON CAJA COLECTOR 8 | COLLECTOR BOX PLUG 8 | P620726000 | 3 | 3 | | 3 | 3 | 3 | 3 |
| S/Nº | TAPON CAJA COLECTOR 16 | COLLECTOR BOX PLUG 16 | P620727000 | 1 | 1 | | 1 | 1 | 1 | 1 |
| S/Nº | JUNTA TAPA COLECTOR | BOARD COVER COLLECTOR | P620728000 | 1 | 1 | | 1 | 1 | 1 | 1 |
| 5 | CONDUCTO ENTRADA AGUA | WATER INPUT PIPE | P610704000 | 1 | 1 | | 1 | 1 | 1 | |
| | | | P620702000 | | | | | | | 1 |
| | | | P630701000 | | | | | | | |
| 7 | CONDUCTO REBOSADERO | OVERFLOW PIPE | P610702000 | 1 | 1 | | 1 | 1 | 1 | |
| | | | P620704000 | | | | | | | 1 |
| | | | P630702000 | | | | | | | |
| | | | P640703000 | | | | | | | |
| 8 | SALIDA VAPOR | STEAM OUTPUT | P620708000 | 1 | 1 | | 1 | 1 | 1 | 1 |
| 9 | CONDUCTO DESAGÜE | DRAINAGE PIPE | P610703000 | 1 | 1 | | 1 | 1 | 1 | 1 |
| | | | P634021000 | | | | | | | |
| | | | P630703000 | | | | | | | |
| | | | P532119000 | | | | | | | |
| S/Nº | TAPON DOBLE DESAGUE | DOUBLE PLUG DRAIN | P646526000 | 1 | 1 | | 1 | 1 | 1 | 1 |
| 10 | VALVULA | VALVE | P302120000 | 1 | 1 | | 1 | 1 | 1 | 1 |
| | | | P532103000 | | | | | | | |
| | | | | | | | | | | |
| | | | | | | | | | | |
| | | | | | | | | | | |
| | | | | | | | | | | |
| | | | | | | | | | | |
| | | | | | | | | | | |
| | | | | | | | | | | |

Зип Ощепит

vsezip.ru

+7(812)987-08-81



Zip

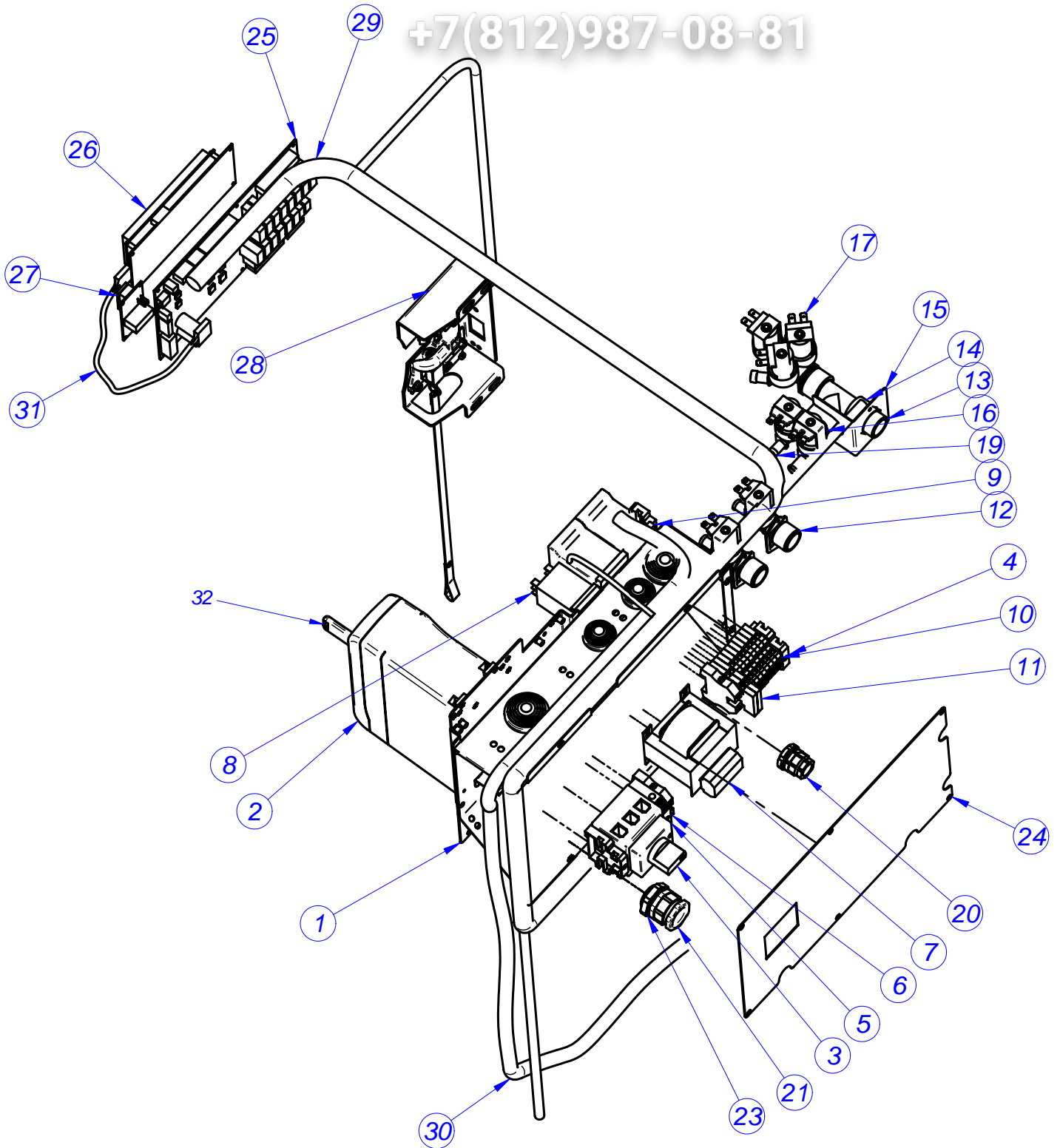
Cierre / LOCK

| ITEM | DENOMINACION | NAVE | CODIGO | LR-10 | LA-10 | L |
|------|-----------------------------|---------------------------|------------|-------|-------|---|
| 1 | ELECTROIMAN PUERTA | DOOR ELECTROMAGNET | P613002000 | 1 | 1 | |
| 2 | BASE CIERRE V3 | LOCK BASE V3 | P621534000 | 1 | 1 | |
| 3 | TORN. ALLEN M2.5x5 | ALLEN SCREW M2.5x5 | Q151333000 | 2 | 2 | |
| 4 | CALZO CIERRE FAGOR 13,18,25 | WEDGE FAGOR LOCK 13,18,25 | P620530000 | 1 | 1 | |
| 5 | ARANDELA A5 | WASHER A5 | Q232030000 | 2 | 2 | |
| 6 | TUER.AUTOB.M5 | SELF-LOCK NUT M5 | Q222030000 | 2 | 2 | |
| 7 | INTERRUPTOR PUERTA | DOOR SWITCH | R010534000 | 1 | 1 | |
| 8 | INTERRUPTOR PUERTA PLANO | FLAT DOOR SWITCH | P620526000 | 1 | 1 | |
| 9 | ARAND.ABAN. A.3 A304 | FAN WASHER A.3 A304 | Q242010000 | 8 | 8 | |
| 10 | TORNILLO ALOMADO M3X15 | CURVED SCREW M3X15 | Q032012000 | 4 | 4 | |
| 11 | ARANDELA 16X6X1.2 A.304 | WASHER 16X6X1.2 A.304 | Q302022000 | 1 | 1 | |
| 12 | ARAND.ABAN. A5 A.304 | FAN WASHER A5 A.304 | Q242030000 | 1 | 1 | |
| 13 | TORN.EXA. M5X15 A.304 | HEX BOLT M5X15 A.304 | Q012032000 | 1 | 1 | |
| 14 | TIRADOR PUERTA | DOOR PULL | P620520000 | 1 | 1 | |
| 15 | ARANDELA PLANA A3,DIN125 | FLAT WASHER A3,DIN125 | Q232010000 | 6 | 6 | |
| 16 | PRENSA ESTOPAS | STUFFING BOX | R073004000 | 1 | 1 | |
| 17 | ANILLO ELECTROIMAN | ELECTROMAGNETIC RING | P620525000 | 1 | 1 | |
| 18 | DESBLOQUEO | UNLOCK | P620529000 | 1 | 1 | |
| S/Nº | CABLEADO PUERTA | DOOR WIRING | P623010000 | 1 | 1 | |
| S/Nº | TERMINAL 0,5 COD.901901 | TERMINAL 0,5 COD.901901 | P620523000 | 2 | 2 | |
| | | | | | | |
| | | | | | | |
| | | | | | | |
| | | | | | | |
| | | | | | | |
| | | | | | | |
| | | | | | | |
| | | | | | | |
| | | | | | | |
| | | | | | | |
| | | | | | | |
| | | | | | | |
| | | | | | | |
| | | | | | | |
| | | | | | | |
| | | | | | | |
| | | | | | | |
| | | | | | | |
| | | | | | | |

Зип Ощепит

vsezip.ru

+7(812)987-08-81



3ип Общественный
CUADRO ELECTRICO / ELECTRIC PANEL

| ITEM | DENOMINACION | NAME | CCD.CO | LR-10 | | | | LA-10 | | | | | | LR- | | | |
|------|-----------------------------|-----------------------------|--------------------------|-------|----|----|----|-------|----|----|----|----|----|-----|----|----|----|
| | | | | M | | MA | | MP | | | M | | MA | | M | | |
| | E | AC | E | AC | E | AC | V | E | AC | V | E | AC | E | AC | E | AC | |
| 1 | PORTA CUADRO ELECTRICO | ELECTRIC PANEL HOLDER | P620347000 | 1 | 1 | 1 | 1 | 1 | 1 | 1 | 1 | 1 | 1 | 1 | 1 | 1 | 1 |
| 2 | VARIADOR PROGRAM. 25 400 V. | VARIATOR PROGRAM. 25 400 V. | P613024000 P623036000 | 1 | 1 | 1 | 1 | 1 | 1 | 1 | 1 | 1 | 1 | 1 | 1 | 1 | 1 |
| 3 | SECCIONADOR | CIRCUIT BREAKER | P623003000 P537038000 | 1 | 1 | 1 | 1 | 1 | 1 | 1 | 1 | 1 | 1 | 1 | 1 | 1 | 1 |
| 4 | TOPE FINAL | END STOP | Z263303000 | 3 | 3 | 3 | 3 | 3 | 3 | 3 | 3 | 3 | 3 | 3 | 3 | 3 | 3 |
| 5 | BORNA AZUL | BLUE TERMINAL | R673010000 | 1 | | 1 | | 1 | | 1 | | 1 | | 1 | | 1 | |
| 6 | BORNA TIERRA | EARTH TERMINAL | Z103035000 | 1 | 1 | 1 | 1 | 1 | 1 | 1 | 1 | 1 | 1 | 1 | 1 | 1 | 1 |
| 7 | TRANSFORMADOR | TRANSFORMER | P623028000 | 1 | 1 | 1 | 1 | 1 | 1 | 1 | 1 | 1 | 1 | 1 | 1 | 1 | 1 |
| 8 | CVF | CVF | Z203062000 | 1 | 1 | 1 | 1 | 1 | 1 | 1 | 1 | 1 | 1 | 1 | 1 | 1 | 1 |
| 9 | CONTACTOR CALENTAMIENTO | HEATING CONTACTOR | Z203050000 Z743009000 | 2 | | 2 | | | 0 | 2 | | | 0 | 2 | | 2 | |
| 10 | REGLETA DOSIFICACION | DISPENSER TERMINAL STRIP | P623006000 | 5 | 5 | 7 | 7 | 8 | 8 | 8 | 5 | 5 | 5 | 7 | 7 | 5 | 5 |
| 11 | BORNA PORTAFUSIBLE | FUSEHOLDER TERMINAL | R073005000 | 2 | 2 | 2 | 2 | 2 | 2 | 2 | 2 | 2 | 2 | 2 | 2 | 2 | 2 |
| 12 | ELECTROVALVULA SIMPLE | SIMPLE SOLENOID VALVE | Z701135000 | 1 | 1 | 1 | 1 | 2 | 2 | 2 | 2 | 1 | 1 | 1 | 1 | 1 | 1 |
| 13 | RACOR 3/4" | 3/4" CONNECTION | Z102301000 | 1 | 1 | 1 | 1 | 1 | 1 | 1 | 1 | 1 | 1 | 1 | 1 | 1 | 1 |
| 14 | Te A 90° | T at 90° | P535020000 | 1 | 1 | 1 | 1 | 1 | 1 | 1 | 1 | 1 | 1 | 1 | 1 | 1 | 1 |
| 15 | TOPE ELECTROVALVULA | SOLENOID VALVE STOP | P535003000 | 1 | 1 | 1 | 1 | 1 | 1 | 1 | 1 | 1 | 1 | 1 | 1 | 1 | 1 |
| 16 | ELECTROVALVULA DOBLE | DOUBLE SOLENOID VALVE | P255001000 | 1 | 1 | 1 | 1 | 1 | 1 | 1 | 1 | 1 | 1 | 1 | 1 | 1 | 1 |
| 17 | ELECTROVALVULA TRIPLE | TRIPLE SOLENOID VALVE | Z611123000 | 1 | 1 | 1 | 1 | 1 | 1 | 1 | 1 | 1 | 1 | 1 | 1 | 1 | 1 |
| 19 | REGULADOR VERDE | GREEN REGULATOR | P443042000 | 2 | 2 | 2 | 2 | 2 | 2 | 2 | 2 | 2 | 2 | 2 | 2 | 2 | 2 |
| 20 | PRENSA ESTOPA DOSIFICACION | DISPENSER STUFFING BOX | R073004000 | 1 | 1 | 1 | 1 | 1 | 1 | 1 | 1 | 1 | 1 | 1 | 1 | 1 | 1 |
| 21 | PRENSA ESTOPA PG-21 | STUFFING BOX PG-21 | R023013000 | 1 | 1 | 1 | 1 | 1 | 1 | 1 | 1 | 1 | 1 | 1 | 1 | 1 | 1 |
| 22 | JUNTA GOMA | RUBBER SEAL | R023026000 | 1 | 1 | 1 | 1 | 1 | 1 | 1 | 1 | 1 | 1 | 1 | 1 | 1 | 1 |
| 23 | TUERCA ROSCA Pg 21 | SCREW THREAD Pg 21 | Q223016000 | 1 | 1 | 1 | 1 | 1 | 1 | 1 | 1 | 1 | 1 | 1 | 1 | 1 | 1 |
| 24 | TAPA CONEXIONES | CONNECTIONS COVER | P610354000 P620383000 | 1 | 1 | 1 | 1 | 1 | 1 | 1 | 1 | 1 | 1 | 1 | 1 | 1 | 1 |
| 25 | PLACA ENTRADAS-SALIDAS | INLET-OUTLET PLATE | P613025000 P613005000 | 1 | 1 | 1 | 1 | | | 1 | 1 | 1 | 1 | 1 | 1 | 1 | 1 |
| 26 | VISUALIZADOR | VIEWER | P613018000 P643008000 | 1 | 1 | 1 | 1 | | 1 | 1 | 1 | 1 | 1 | 1 | 1 | 1 | 1 |
| S/Nº | DISTANCIADOR M3 | SPACER M3 | T133007000 | 26 | 26 | 26 | 26 | 26 | 26 | 26 | 26 | 26 | 26 | 26 | 26 | 26 | 26 |
| 27 | INTERRUPTOR GENERAL | POWER SWITCH | Z218030000 P623025000 | 1 | 1 | | | 1 | 1 | 1 | 1 | 1 | 1 | | | 1 | 1 |
| S/Nº | PORTA INTERRUPTOR C.I. V2 | C.I. V2 SWITCH HOLDER | P640325000 | 1 | 1 | | | 1 | 1 | 1 | 1 | 1 | 1 | | | 1 | 1 |
| 28 | CIERRE COMPLETO | COMPLETE LOCK | P620516000 P620531000 | 1 | 1 | 1 | 1 | 1 | 1 | 1 | 1 | 1 | 1 | 1 | 1 | | 1 |
| 29 | INSTALACION GENERAL | GENERAL INSTALLATION | P623033000 | 1 | 1 | 1 | 1 | 1 | 1 | 1 | 1 | 1 | 1 | 1 | 1 | 1 | 1 |

3Zip Общественный

CUADRO ELÉCTRICO / ELECTRIC PANEL

| ITEM | DENOMINACION | NAME | CCD.COD | LR-10 | | | | LA-10 | | | | | | LR- | | | | |
|------|----------------------|----------------------|------------|-------|---|----|---|-------|---|---|----|---|----|-----|---|----|----|-----|
| | | | | M | | MA | | MP | | | M | | MA | | M | | | |
| | E | | | AC | E | AC | E | AC | V | E | AC | V | E | AC | E | AC | V | |
| | | | | /V | | | | | | | | | | | | | /V | |
| 30 | CABLE CALENTAMIENTO | HEATING CABLE | P613015000 | | | | | 1 | | | | 1 | | | | | | 1 |
| | | | P613016000 | | 1 | | | | | 1 | | | 1 | | | | | 1 |
| | | | P623008000 | 1 | | 1 | | 1 | | | | 1 | | 1 | | 1 | | 1 |
| 31 | CABLE COMUNICACION | COMMUNICATION CABLE | P623026000 | 1 | 1 | 1 | 1 | | | | | 1 | 1 | 1 | 1 | 1 | 1 | 1 |
| | | | P623009000 | | | | | 1 | 1 | 1 | | | | | | | | |
| 32 | PLC PROGRAMADO 1,1KW | PLC PROGRAMMED 1.1KW | P613027000 | 1 | 1 | 1 | 1 | 1 | 1 | 1 | 1 | 1 | 1 | 1 | 1 | | | |
| 32 | PLC PROGRAMADO 1,5KW | PLC PROGRAMMED 1.5KW | P623049000 | | | | | | | | | | | | | | | 1 1 |
| | | | | | | | | | | | | | | | | | | |
| | | | | | | | | | | | | | | | | | | |
| | | | | | | | | | | | | | | | | | | |
| | | | | | | | | | | | | | | | | | | |
| | | | | | | | | | | | | | | | | | | |
| | | | | | | | | | | | | | | | | | | |
| | | | | | | | | | | | | | | | | | | |
| | | | | | | | | | | | | | | | | | | |
| | | | | | | | | | | | | | | | | | | |
| | | | | | | | | | | | | | | | | | | |
| | | | | | | | | | | | | | | | | | | |

3ин Общественный

| ITEM | DENOMINACION | NAME | CODIGO | LR-10 | | | LA-10 | | | | | | LR-13 | | | | | | | | | | | | | | | | | | | | |
|------|-----------------------------|-----------------------------|----------|-------|----|---|-------|----|---|----|----|---|-------|----|---|----|----|---|---|----|---|---|----|---|---|----|---|---|----|---|---|---|---|
| | CALENTAMIENTO | | | M | | | MA | | | MP | | | M | | | MA | | | M | | | | | | | | | | | | | | |
| | | | | E | AC | V | E | AC | V | E | AC | V | E | AC | V | E | AC | V | E | AC | V | E | AC | V | E | AC | V | E | AC | V | | | |
| | CABLEADO INTERRUP-GENER. | SWITCH WIRING-GENERAL | 12025113 | 1 | 1 | 1 | | | | 1 | 1 | 1 | 1 | 1 | 1 | | | | 1 | 1 | 1 | | | | | | | | | | | | |
| | CABLE. PTC+PUENTE RECTIFIC. | PTC + WIRING BRIDGE-RECTIF. | 12025061 | 1 | 1 | 1 | 1 | 1 | 1 | 1 | 1 | 1 | 1 | 1 | 1 | 1 | 1 | 1 | 1 | 1 | 1 | 1 | 1 | 1 | 1 | 1 | 1 | 1 | 1 | 1 | 1 | 1 | 1 |
| | CABLEADO RESISTENCIA | WIRING RESISTANCE L-8, 13 | 12024944 | 1 | | | 1 | | | 1 | | | 1 | | | 1 | | | 1 | | | 1 | | | 1 | | | 1 | | | 1 | | |
| | CABLEADO TECLADO-SIMPLE | WIRED KEYBOARD-SIMPLE | 12023293 | 1 | 1 | 1 | 1 | 1 | 1 | | | | 1 | 1 | 1 | 1 | 1 | 1 | 1 | 1 | 1 | 1 | 1 | 1 | 1 | 1 | 1 | 1 | 1 | 1 | 1 | 1 | 1 |
| | CABLEADO TRANS.SIN NEUTRO | NO NEUTRAL WIRE TRANSFORM. | 12025104 | 1 | | | | | | | | | | | | | | | 1 | | | | | | | | | | | | | | |
| | CABLEADO ARRASTRE-AC | TRAILING WIRING-AC | 12025082 | | 1 | | 1 | 1 | | | | | 1 | | | | | | 1 | | | | | | 1 | | | | | | | | |
| | CABLE. ELECTR. VALV.VAPOR | WIRING ELECTROVALVULA.VAPOR | 12025067 | | | 1 | | | | | | 1 | | | | | | 1 | | | | | | | | | 1 | | | | | | |
| | CABL. CONECTOR-PUENTE-LIM | WIRING CONN.-BRIDGE-POWER | 12025206 | | | | | 1 | 1 | | | | | | | | | | 1 | 1 | | | | | | | | | | 1 | | | |
| | CABLEADO MONEDERO C.P. | WIRED PURSE C.P | 12009766 | | | | | 1 | 1 | | | | | | | | | | 1 | 1 | | | | | | | | | | | | | |
| | CABLEADO PROG.MP | PROGRAMMED WIRING MP | 12025136 | | | | | | | | | 1 | 1 | 1 | 1 | | | | | | | | | | | | | | | | | | |
| | CABLEADO AGUA-CALIENTE | HOT WATER WIRING 8/13/18 | 12024818 | | | | | | | | | | 1 | | | | | 1 | | | | | | | | | | | | | | | |

Зип Общепит

| Instalaciones | Referencia | LAV-10 | LAV-13 | LAV-18 | Notas |
|---|------------------|---------------|---------------|---------------|-------|
| Placa rele M | P-613019000 | X | X | X | |
| Circuito teclado display | P-613018000 | X | X | X | |
| Indicador de componentes Lav | P-623011000 | X | X | X | |
| Interruptor general C.I. | P-623017000 | X | X | X | |
| Leyenda Lav | P-623014000 | X | X | X | |
| Componentes | Reference | LAV-10 | LAV-13 | LAV-18 | |
| Borne doble piso 2,5mm Weidmuller DK 4/35 5276.6 | P-623006000 | 7 | 7 | 7 | |
| Borne Azul 10mm | Z-263302000 | 1 | 1 | 1 | |
| Borne Portafusible | R-073005000 | 2 | 2 | 2 | |
| Borne tierra 10mm | P-453026000 | 2 | 2 | 2 | |
| Condensador antiparasitario 0,1 uF | Z-233012000 | 7 | 7 | 7 | |
| Contactador 20A NA | Z-203050000 | 2 | 2 | 2 | |
| Contactador 35 A | P-433030000 | | | | |
| Contactador 60 A | X-183011000 | | | | |
| Electrovalvula simple | Z-701135000 | 2 | 2 | 2 | |
| Electrovalvula doble | P-255001000 | X | X | X | |
| Electrovalvula Triple | Z-611123000 | X | X | X | |
| Electrovalvula simple 120 L/h Z-102305 | Z-102323000 | | | | |
| Electroiman Biestable | P-613002000 | X | X | X | |
| Fusible 4A | P-184011000 | 2 | 2 | 2 | |
| Interuptor magnetico desequilibrio NA | Z-100522000 | X | X | X | |
| Monedero | P-613004000 | X | X | X | |
| Motor 10 | P-615904000 | X | | | |
| Motor 13 | P-625905000 | | X | | |
| Motor 18 | P-635906000 | | | X | |
| PG-21 Prensaestopas | R-023013000 | X | X | X | |
| PG21 Tuerca | Q-223016000 | X | X | X | |
| PG21 Junta de goma | | | | | |
| PG36 Junta de goma | | | | | |
| PG36 Prensaestopas | R-143010000 | | | | |
| PG36 Tuerca | | | | | |
| Regleta 2,5 mm ² TEKOX1106PL D.int = 3,2mm | R-693010000 | 2/12 | 2/12 | 2/12 | |
| Regleta 6 mm ² 1/12 D.int = 4,1mm | Z-713035000 | | | | |
| Regleta 16 mm ² 1/6 Elettro Gibi D.int = 5,5mm | Z-743006000 | | | | |
| Rele 16 A 2NA 230V 50/60Hz Faston FINDER | Z-203062000 | X | X | X | |
| Resistencia 2KW 8KG | P-613008000 | 3 | | | |
| Resistencia 3KW 13KG | P-623005000 | | 3 | | |
| Resistencia 4KW 18KG | P-633002000 | | | 3 | |
| Resistencia 6KW | P-533001000 | | | | |
| Señalización R,S,T,N,PE | Z-683068000 | X | X | X | |
| Seccionador 8KG 32A 11,5kw Siemens 3LD22 30-OTK13 | P-623003000 | X | | | |
| Seccionador 13,18,25KG 63 A 22 kw Siemens 3LD25 30-OTK13 | P-537038000 | | X | X | |
| Seccionador 125 A 45 Kw Siemens 3LD28 30-OTK13 | P-543039000 | | | | |
| Sonda NTC + Limitador | P-503025000 | X | X | X | |
| Terminal mini Mate-n-lok Hembra 170362-1 | P-623016000 | | | | |
| Tope final 10mm | Z-263303000 | X | X | X | |
| Tapa Cubierta conector Sub-D | P-613014000 | X | X | X | |
| Transformador 230/20-0-20 24-0 | P-623004000 | X | X | X | |
| Variador 10Kg | P-613007000 | X | | | |
| Variador 13Kg | P-623002000 | | X | | |
| Variador 18Kg | P-633003000 | | | X | |
| Valvula de vaciado 8, 13, 18 Kg | P-302120000 | X | X | X | |
| | | | | | |
| | | | | | |

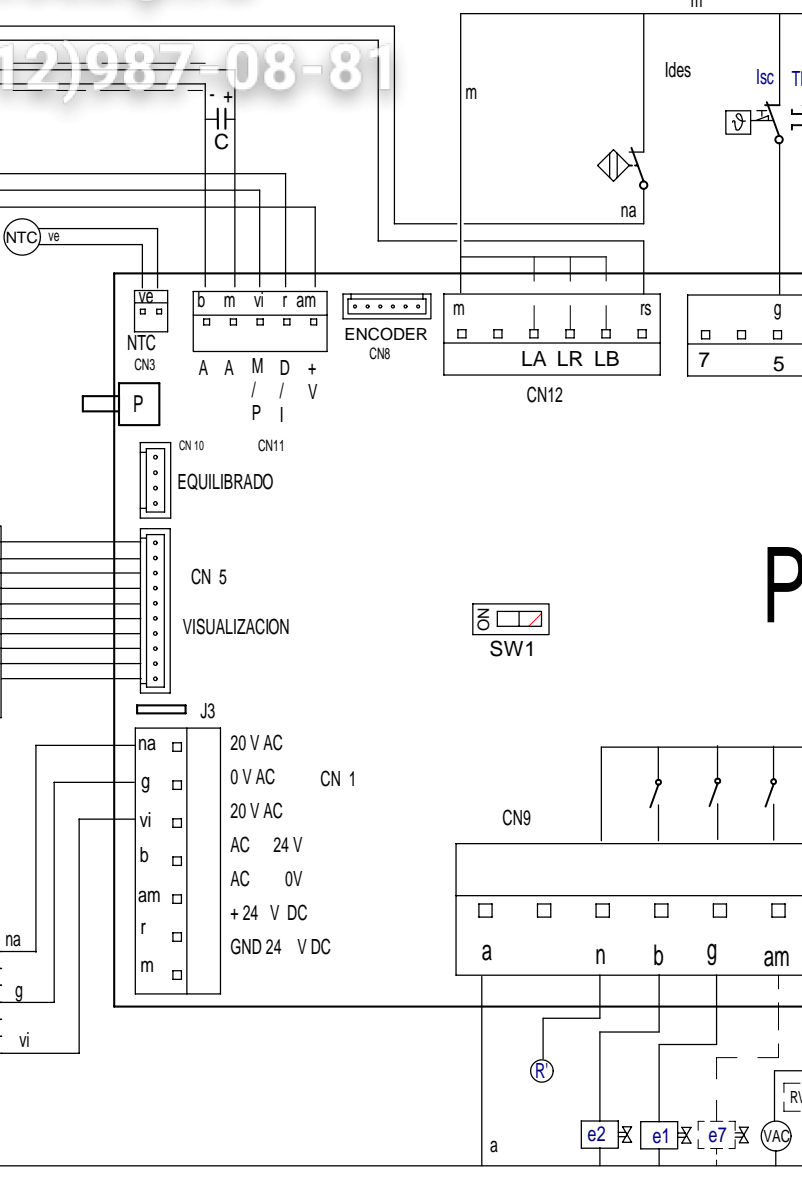
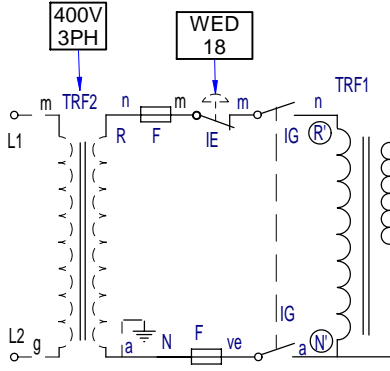
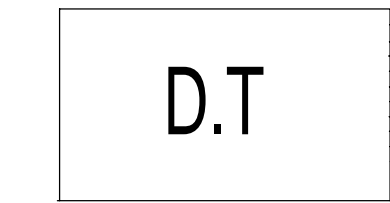
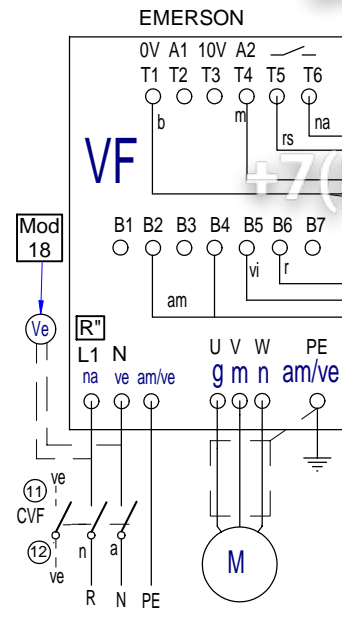
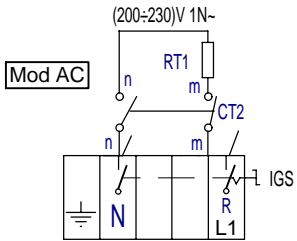
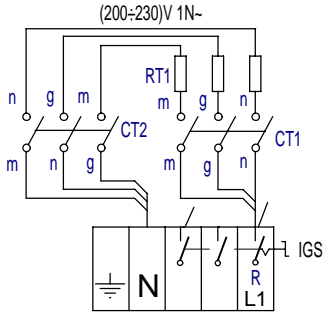
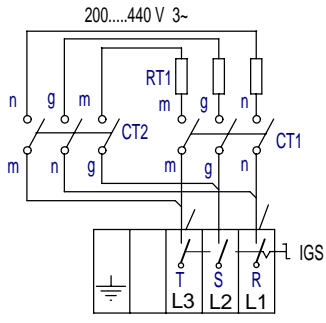
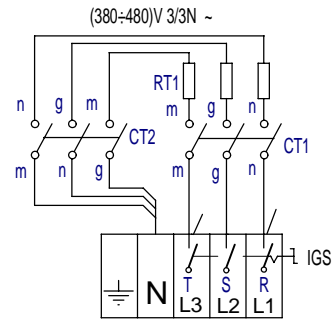
Зип Общепит

| Installations | Reference | LAV-10 | LAV-13 | LAV-18 | Notes |
|--|-------------|--------|--------|--------|-------|
| Relay plate M | P-613019000 | X | X | X | |
| Keyboard display circuit | P-613018000 | X | X | X | |
| Wash components display | P-623011000 | X | X | X | |
| C.I. Power switch | P-623017000 | X | X | X | |
| Wash legend | P-623014000 | X | X | X | |
| | | | | | |
| Components | Reference | LAV-10 | LAV-13 | LAV-18 | |
| Double floor terminal 2.5 mm Weidmuller DK 4/35 5276.6 | P-623006000 | 7 | 7 | 7 | |
| Blue terminal 10 mm | Z-263302000 | 1 | 1 | 1 | |
| Fuse holder terminal | R-073005000 | 2 | 2 | 2 | |
| Earth terminal 10 mm | P-453026000 | 2 | 2 | 2 | |
| Antiparasitic condenser 0.1 uF | Z-233012000 | 7 | 7 | 7 | |
| Contactora 20A NA | Z-203050000 | 2 | 2 | 2 | |
| Contactora 35 A | P-433030000 | | | | |
| Contactora 60 A | X-183011000 | | | | |
| Simple solenoid valve | Z-701135000 | 2 | 2 | 2 | |
| Double solenoid valve | P-255001000 | X | X | X | |
| Triple solenoid valve | Z-611123000 | X | X | X | |
| Simple solenoid valve 120 L/h Z-102305 | Z-102323000 | | | | |
| Bistable electromagnet | P-613002000 | X | X | X | |
| 4A fuse | P-184011000 | 2 | 2 | 2 | |
| Imbalance magnetic switch NA | Z-100522000 | X | X | X | |
| Coin slot. | P-613004000 | X | X | X | |
| Motor 10 | P-615904000 | X | | | |
| Motor 13 | P-625905000 | | X | | |
| Motor 18 | P-635906000 | | | X | |
| PG-21 Packing glands | R-023013000 | X | X | X | |
| PG21 Nut | Q-223016000 | X | X | X | |
| PG21 Rubber seal | | | | | |
| PG36 Rubber seal | | | | | |
| PG36 Packing gland | R-143010000 | | | | |
| PG36 Nut | | | | | |
| Terminal strip 2.5 mm ² TEKOX1106PL Int. diam. = 3.2 mm | R-693010000 | 2/12 | 2/12 | 2/12 | |
| Terminal strip 6 mm ² 1/12 Int. diam. = 4.1 mm | Z-713035000 | | | | |
| Terminal strip 16 mm ² 1/6 Elettro Gibi Int. Diam. = 5.5 mm | Z-743006000 | | | | |
| Relay 16 A 2NA 230V 50/60Hz Faston FINDER | Z-203062000 | X | X | X | |
| Resistance 2KW 8KG | P-613008000 | 3 | | | |
| Resistance 3KW 13KG | P-623005000 | | 3 | | |
| Resistance 4KW 18KG | P-633002000 | | | 3 | |
| Resistance 6KW | P-533001000 | | | | |
| R,S,T,N,PE indication | Z-683068000 | X | X | X | |
| Circuit Breaker 8KG 32A 11.5kw Siemens 3LD22 30-OTK13 | P-623003000 | X | | | |
| Circuit Breaker 13,18,25 KG 63 A 22 kw Siemens 3LD25 30-OTK13 | P-537038000 | | X | X | |
| Circuit Breaker 125 A 45 Kw Siemens 3LD28 30-OTK13 | P-543039000 | | | | |
| NTC probe + Limiter | P-503025000 | X | X | X | |
| Mini terminal Mate-n-lok female socket 170362-1 | P-623016000 | | | | |
| End buffer 10 mm | Z-263303000 | X | X | X | |
| Cover lid connector Sub-D | P-613014000 | X | X | X | |
| Transformer 230/20-0-20 24-0 | P-623004000 | X | X | X | |
| Variator 10 Kg | P-613007000 | X | | | |
| Variator 13 Kg | P-623002000 | | X | | |
| Variator 18 Kg | P-633003000 | | | X | |
| Drainage valve 8, 13, 18 Kg | P-302120000 | X | X | X | |
| | | | | | |
| | | | | | |

Зип Общепит

vsezip.ru

+7(812)987-08-81



P
K

| Simb / LENG | ESPAÑOL | FRANÇAIS | ENGLISH | DEUTSCH |
|--------------|-------------------------------------|------------------------------------|---|---|
| CT = | Contactador Calentamiento | Contacteur Chauffage | Heating Contactor | Heizschütz |
| DP = | Detector posición. | Détecteur position | Position detector | Stellung Taster |
| DS1 | Dosificador Neutralizante. | Doseur Neutralisant | Neutralizer feeder | DosierVorrichtung Neutralspülmittel |
| DS2 | Dosificador jabon liquido. | Doseur lessive liquide | Liquid soap feeder | DosierVorrichtung Flüssigseife |
| DS3 | Dosificador aditivos. | Doseur additifs | Additive feeder | DosierVorrichtung Zusatzmittel |
| D.T. | Display/Teclado | Ecran/Clavier | Display/Keyboard | Display/Tastatur |
| e1 = | Electro válvula agua Fría. | Électrovanne eau Froide | Cold water electrically operated valve | Elektroventil Kaltwasser |
| e2 = | Electro válvula agua Caliente | Électrovanne eau Chaude | Hot water electrically operated valve | Elektroventil Warmwasser |
| e3 = | Electro válvula Prelavado. | Électrovanne Prélavage | Pre-wash electrically operated valve | Elektroventil Vorwaschen |
| e4 = | Electro válvula Lavado. | Électrovanne Lavage | Wash electrically operated valve | Elektroventil Hauptwaschgang |
| e5 = | Electro válvula Lejía. | Électrovanne au Détergent | Bleach electrically operated valve | Elektroventil Bleiche |
| e6 = | Electro válvula Suavizante. | Électrovanne Assouplissante | Softener electrically operated valve | Elektroventil Weichspüler |
| e7 = | Electro válvula agua Descalcificada | Électrovanne Eau Aducie | Deionized water electrically operated valve | Elektroventil entkalktes Wasser |
| e8 ,9,10 = | Electro válvula Equilibrado | Électrovanne Equilibrage | Balancer electrically operated valve | Elektroventil Gleichgewicht |
| e11 = | Electro válvula Vapor. | Électrovanne Vapeur | Steam electrically operated valve | Elektroventil Dampf |
| EP = | Electroimán de Puerta. | Électro-aimant de Porte | Door electric magnet | Elektromagnet Gerätedür |
| FI = | Filtro de Interferencias. | Filtre Anti-parasites | Interference filter | Störungsfilter |
| F = | Fusible. | Fusible | Fuse | Sicherung |
| G1/G2 = | Galga Sensor. | Jauge Capteur | Sensing gage | Meßsensor |
| IE = | Pulsador Parada de emergencia. | Bouton-poussoir Arrêt d'urgence | Emergency stop push button | Not-Aus-Taster |
| IG = | Interruptor general. | Interrupteur général | General switch | Hauptschalter |
| IGS = | Interruptor General de seguridad. | interrupteur Général de sécurité | General safety switch | Sicherheitshauptschalter |
| Ides = | Interruptor de desequilibrio. | Interrupteur de balourd | Unbalance switch | Ungleichgewichtsschalter |
| IMo = | Interruptor Monedero. | Interrupteur Monnayeur | Coin slot switch | Münzschalter |
| Ip = | Interruptor puerta Cerrada. | Interrupteur porte Fermée | Closed door switch | Schalter Tür geschlossen |
| Ipb = | Interruptor puerta bloqueada. | Interrupteur porte verrouillee | Door lock switch | Schalter Tür verriegelt |
| Isc = | Interruptor seguridad Temperatura | Thermostat Limiteur | Hi-limit Thermostat | Grenzthermostat |
| M = | Motor. | Moteur | Motor | Motor |
| Mo = | Monedero. | Monnayeur | Coin slot | Münzvorrichtung |
| NTC = | Sensor temperatura.. | Capteur température | Temperature sensor | Temperatursensor |
| RT = | Resistencia Calentamiento. | Résistance Chauffe | Heating Resistors | Widerstand Aufheizung |
| Tm = | Térmico de Motor. | Thermique du Moteur | Motor hot-wire | Motorwärmeschalter |
| Trf = | Transformador | Transformateur | Transformer | Transformator |
| Trf s/N = | Transformador Versión sin Neutro. | Transformateur Version sans Neutre | Transformer Version without Neutral | Transformator Modell ohne Neutralstellung |
| VAC = | Válvula Vaciado | Vanne Vidange | Emptying valve | Ablassventil |
| Ve = | Ventilador. | Ventilateur | Fan | Ventilator |
| VF = | Convertidor de Frecuencia. | Convertisseur de Fréquence | Frequency converter | Frequenzumwandler |
| VM = | Ventilador Motor. | Ventilateur Moteur | Fan motor | Ventilator Motor |
| 1...8 = | Puntos conexión dosificadores. | Points raccordement doseurs | Feeder connection points | Anschlussstellen DosierVorrichtungen |
| COLOR | COLORES | COULEURS | COLOUR | FARBEN |
| a = | Azul | Bleu | Blue | Blau |
| am = | Amarillo | Jaune | Yellow | Gelb |
| am/ve = | Amarillo/verde | Jaune / vert | Yellow / green | Gelb/grün |
| b = | Bianco | Blanc | White | Weiß |
| g = | Gris | Gris | Grey | Grau |
| m = | Marrón | Marron | Brown | Braun |
| n = | Negro | Noir | Black | Schwarz |
| na = | Naranja | Orange | Orange | Orange |
| r = | Rojó | Rouge | Red | Rot |
| rs = | Rosa | Rose | Pink | Rosa |
| ve = | Verde | Vert | Green | Grün |
| vi = | Violeta | Violet | Purple | Violett |

Legenda LAVAD