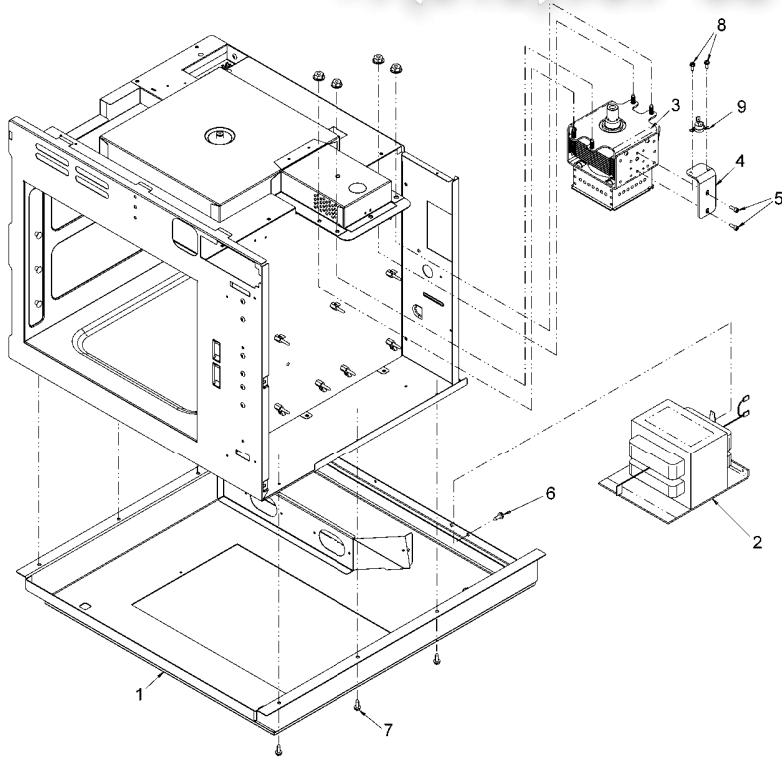


Зип Общепит

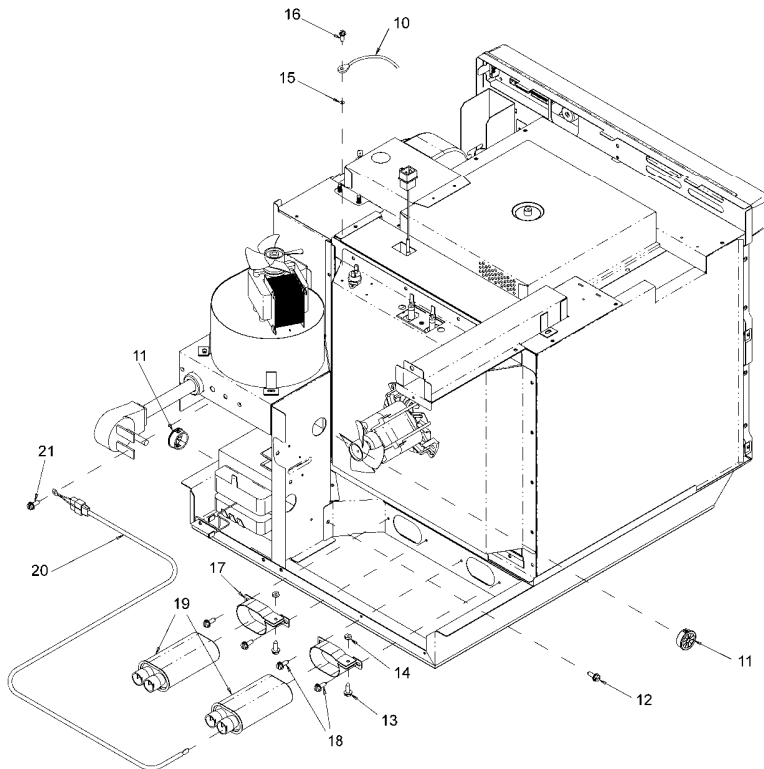
vsezip.ru

BASE / MAGNETRON / TRANSFORMER

+7(812)987-08-81



PLUGS / CAPACITORS / DIODE ASSEMBLY

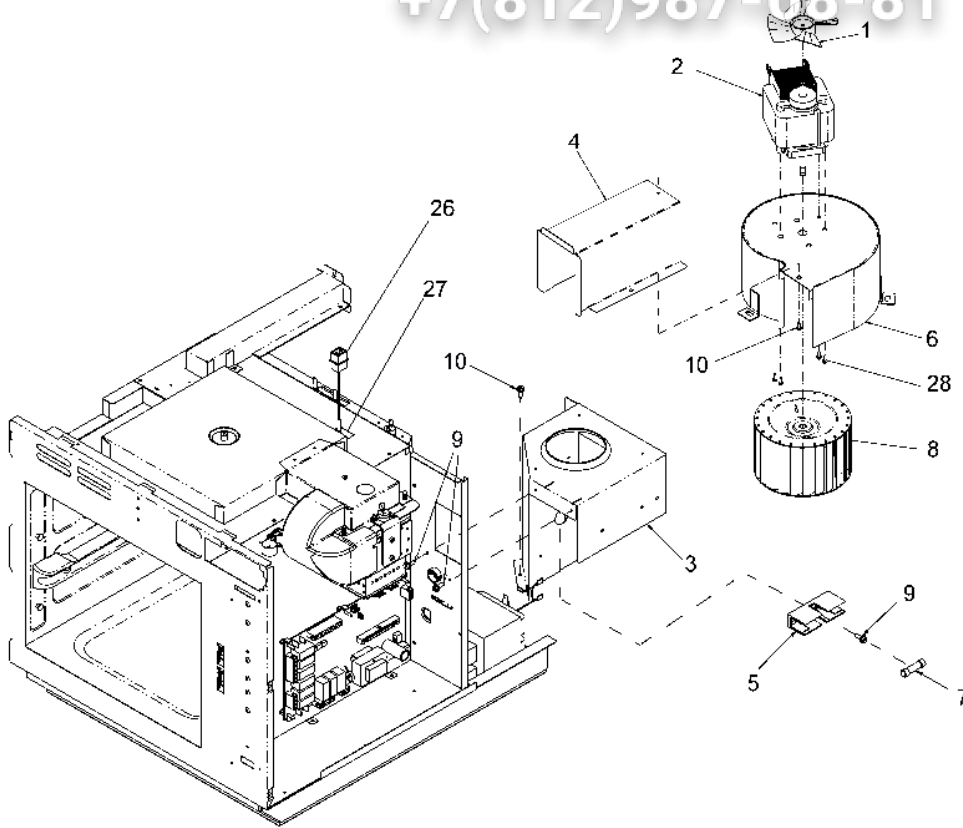


Зип Общепит

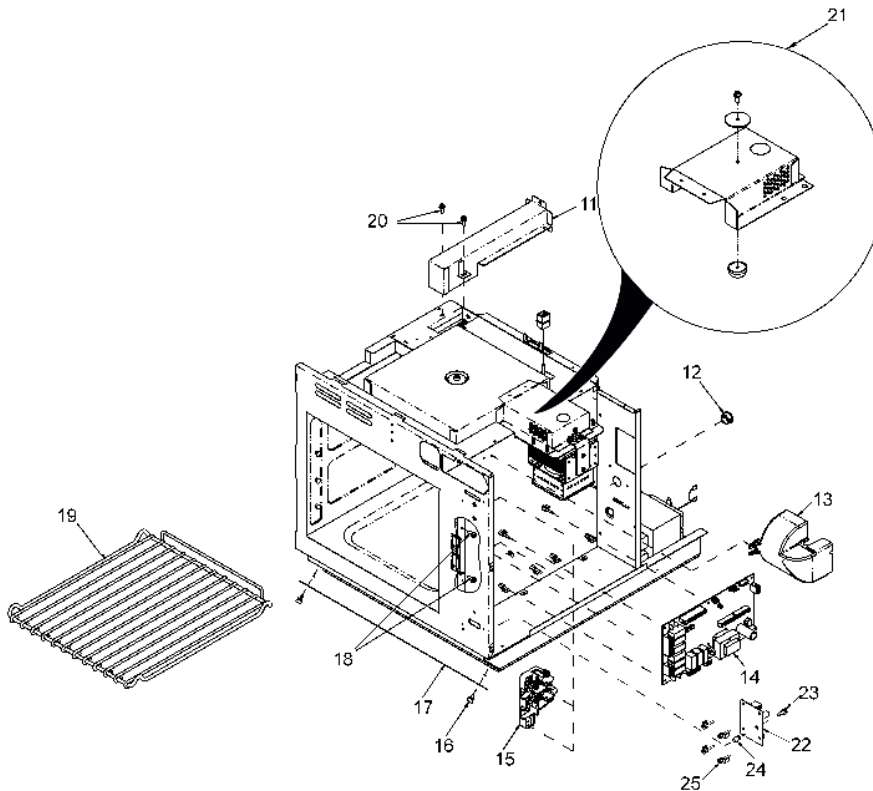
vsezip.ru

BLOWER MOTOR / FUSE BLOCK

+7(812)987-08-81



HV BOARD / INTERLOCK

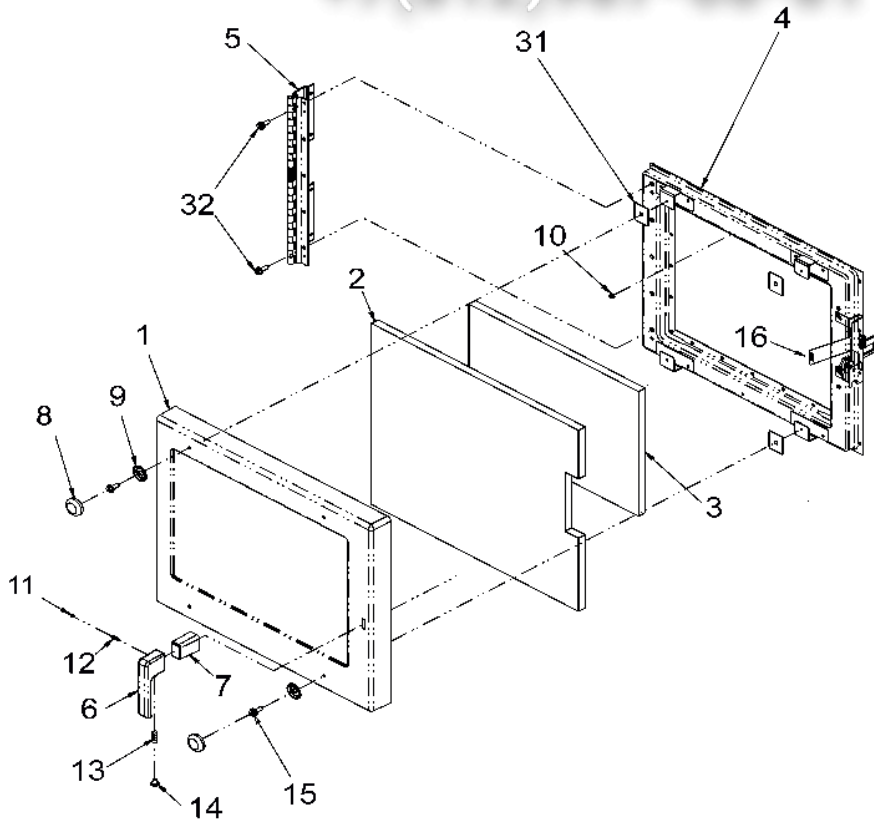


Зип Общепит

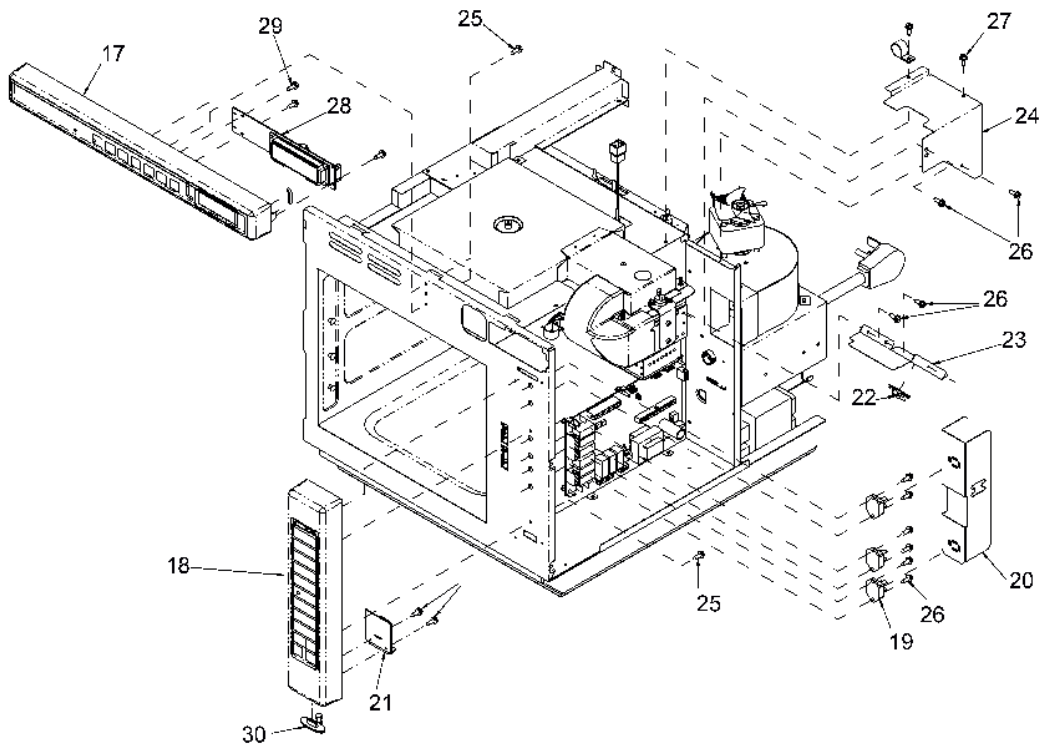
vsezip.ru

DOOR / DOOR HANDLE

+7(812)987-08-81



UPPER & LOWER SWITCH / TRIAC / DISPLAY BOARD

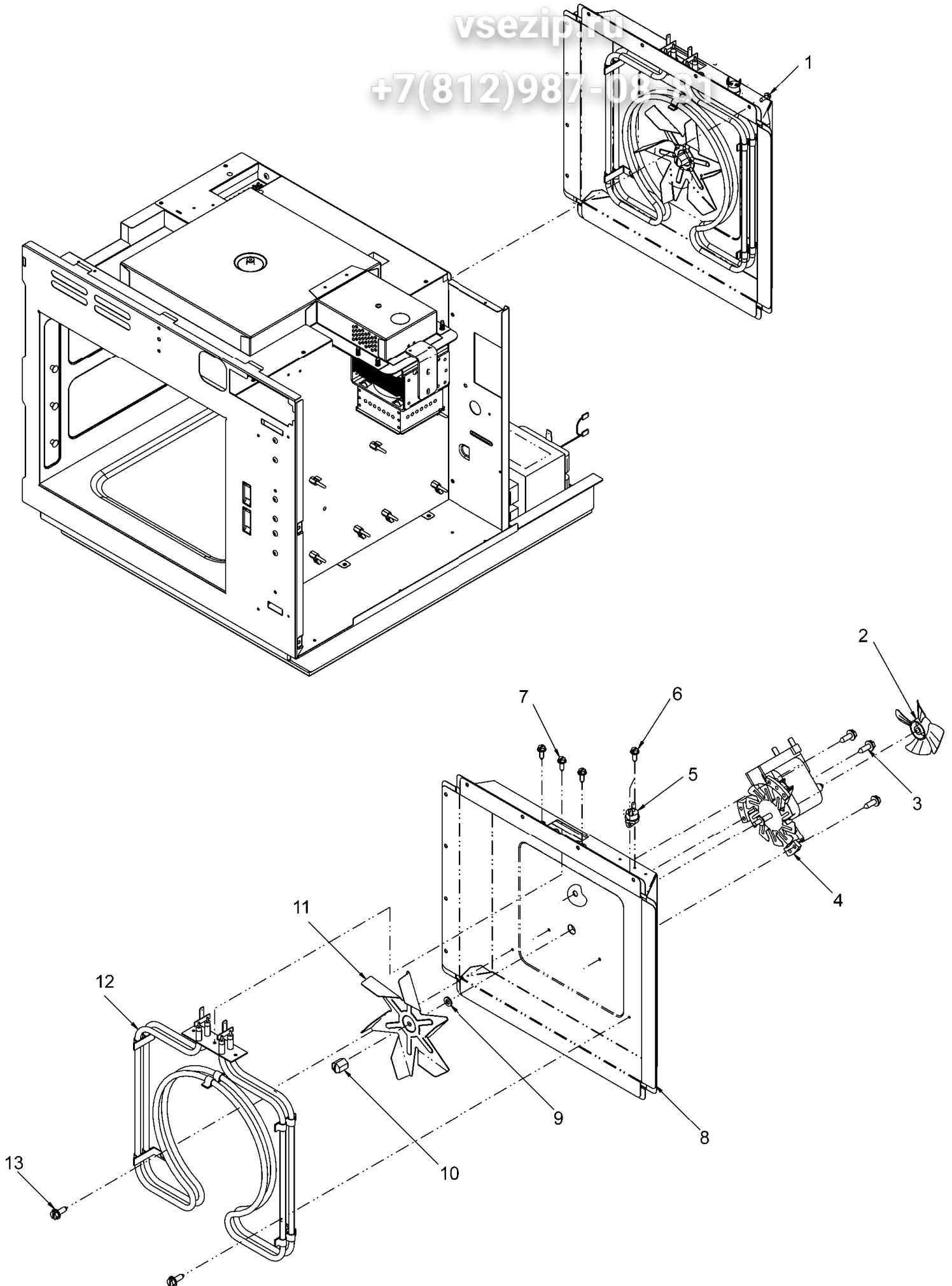


HEATER BOX / CONVECTION MOTOR

3m V6Qent

vsezip.ru

+7(812)987-08-88

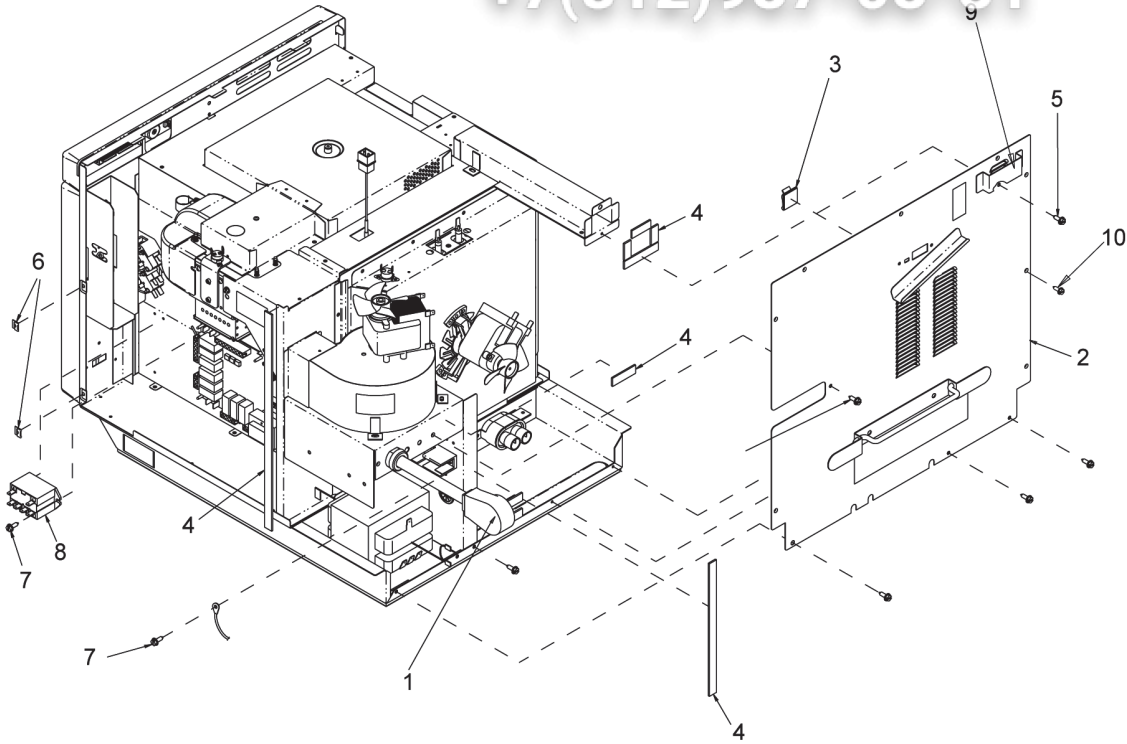


Зип Ощепит

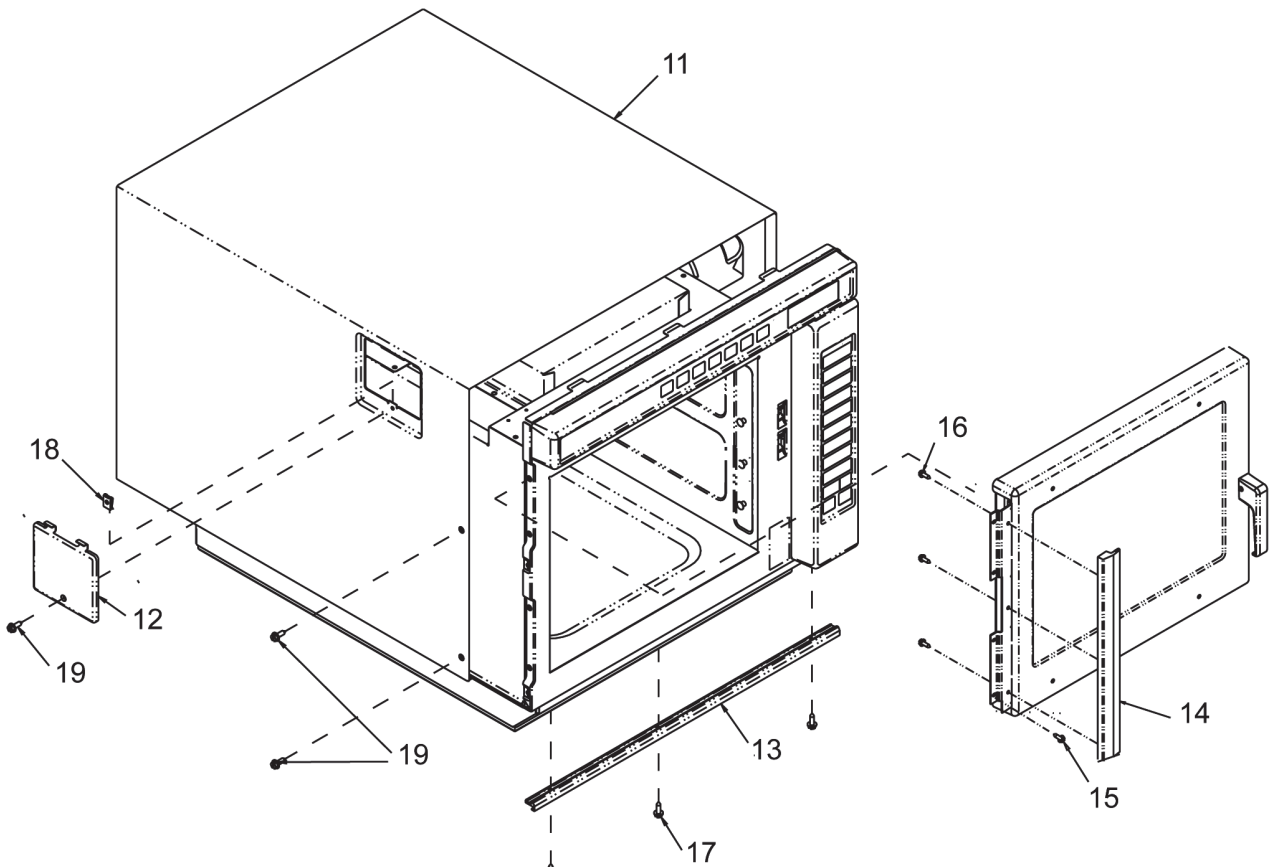
vsezip.ru

REAR PANEL / POWER CORD / POWER RELAY

+7(812)987-08-81



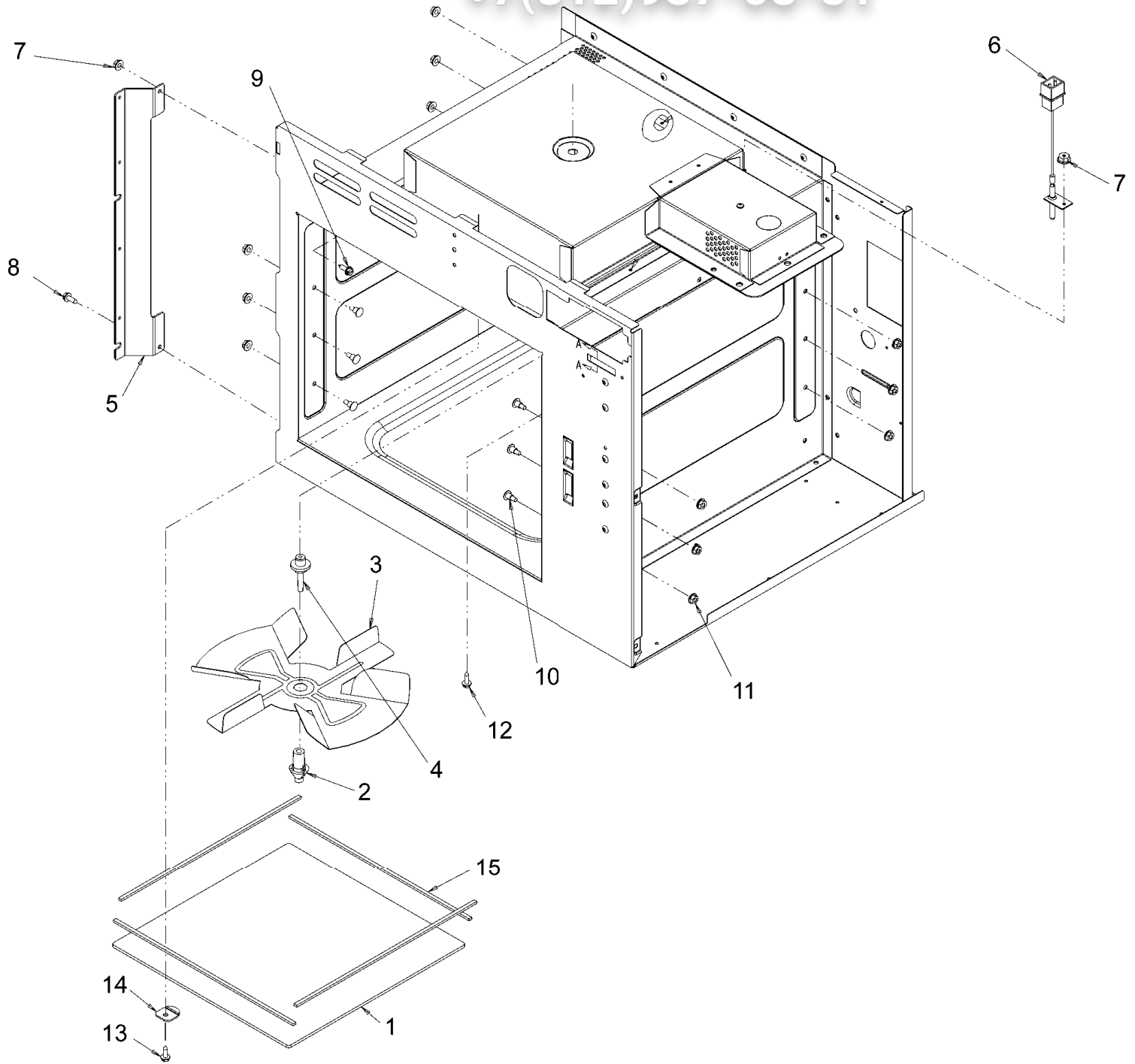
OUTERCASE / HINGE COVER



STIRRER SYSTEM OVEN TRAY

vsezip.ru

+7(812)987-08-81



| Seite | Pos | Kreditor Artikel Nr. | GB |
|-------|-----|----------------------|-------------------------------------|
| 001 | 001 | 59002096 | BASEPAN ASSY, ACE14 |
| 001 | 002 | 59002086 | TRANSFORMER, HV |
| 001 | 003 | 13017710 | JUMPER WIRE MAG FA TO CAP |
| 001 | 003 | 59002081 | MAGNETRON |
| 001 | 004 | 13080901 | BRKT - TCO MTG |
| 001 | 005 | M0229916 | SCREW-TC |
| 001 | 006 | 12990526 | SCREW-SM/HEX RoHS |
| 001 | 007 | 12991605 | SCREW |
| 001 | 008 | 13041602 | SCREW |
| 001 | 009 | B5684121 | THERMAL CUTOUT |
| 001 | 010 | 20047601 | HARNESS, J2/J4 CONNECTOR & WIRES |
| 001 | 010 | 20047501 | HARNESS, J7/J8 CONNECTOR & WIRES |
| 001 | 011 | M0571003 | BUSHING-SNAP |
| 001 | 012 | 12990526 | SCREW-SM/HEX RoHS |
| 001 | 013 | 12992302 | SCREW-TF/HEX RoHS |
| 001 | 014 | 13045501 | NUT-#6 KEPS |
| 001 | 015 | M0272513 | WASHER |
| 001 | 016 | 13042201 | SCREW |
| 001 | 017 | 13069001 | BRKT- CAPACITOR |
| 001 | 018 | 12992305 | SCREW-TF/HEX RoHS |
| 001 | 019 | 13017711 | JUMPER WIRE PWR TRANS TO CAP TO CAP |
| 001 | 019 | 59001159 | CAPACITOR- .65 |
| 001 | 020 | R9800022 | KIT, DIODE |
| 001 | 021 | 12990524 | SCREW-SM/HEX RoHS |
| 002 | 001 | B5706704 | BLADE, FAN |
| 002 | 002 | 59004030 | MOTOR, BLOWER |
| 002 | 003 | 12000815 | BLOWER BRKT |
| 002 | 004 | 10977801 | TRANSITION-BLOWER |
| 002 | 005 | 10091101 | BLOCK-FUSE |
| 002 | 006 | 10797203 | SCROLL WELD |
| 002 | 007 | M0805205 | FUSE-30A |
| 002 | 007 | 14119056 | KIT, FUSE & RELAY BOARD |
| 002 | 008 | C3670809 | WHEEL-BLOWER |
| 002 | 009 | 12990522 | SCREW-SM/HEX RoHS |
| 002 | 010 | 12990526 | SCREW-SM/HEX RoHS |
| 002 | 011 | 12002901 | FLUE DUCT WELD |
| 002 | 012 | M0571001 | BUSHING-SNAP |
| 002 | 013 | 12018102 | DUCT-MAG/WVGD |
| 002 | 014 | 59004066 | BOARD, HV |
| 002 | 014 | 13018301 | HARNESS-PC BOARD |
| 002 | 015 | 13095501 | HARNESS - INTERLOCK |
| 002 | 015 | 59114157 | SWITCH, INTERLOCK ASSY |
| 002 | 016 | 13042901 | SCREW-THUMB RoHS |
| 002 | 017 | 10853102 | GRILLE-AIR INLET |
| 002 | 018 | 12876603 | SCREW |
| 002 | 019 | RA14 | ACE RACK ACCESSORY |
| 002 | 020 | 12990526 | SCREW-SM/HEX RoHS |
| 002 | 021 | 14090020 | KIT, TUNING STUB - ACE |
| 002 | 022 | 59002117 | BOARD, RELAY MONITOR |
| 002 | 023 | 12991607 | SCREW-TC/HEX RoHS |
| 002 | 024 | M0800603 | SUPPORT-PCB |
| 002 | 025 | M0590602 | SUPPORT |
| 002 | 026 | 12000202 | SENSOR-TEMP |
| 002 | 027 | 13045501 | NUT-#6 KEPS |
| 002 | 028 | 12992305 | SCREW-TF/HEX RoHS |
| 003 | 000 | EZ10 | EZ CARD KIT |
| 003 | 001 | 59001511 | DOOR, OUTER |
| 003 | 002 | 12474904 | INSULATION, DOOR- LARGE |
| 003 | 003 | 12474903 | INSULATION-DOOR |
| 003 | 004 | 12002760 | KIT, INNER DOOR W/LATCH & CAPS |
| 003 | 005 | 59001869 | HINGE, DOOR |
| 003 | 006 | 12490902 | HANDLE-DOOR |
| 003 | 007 | 12576901 | INSERT-HANDLE |
| 003 | 008 | M0295503 | CAP - SCREW |
| 003 | 009 | M0295502 | WASHER-CAP SCREW |
| 003 | 010 | M0282007 | NUT |
| 003 | 011 | 12360703 | PLUG-HOLE |
| 003 | 012 | 13046902 | SCREW-SET/CONE RoHS |
| 003 | 013 | 13047001 | SCREW-SET/DOG RoHS |

Зип-Общепит

vsezip.ru

+7(812)987-08-81

| Seite | Pos | Kreditor Artikel Nr. | GB |
|-------|-----|----------------------|-------------------------------|
| 003 | 014 | M0310305 | PLUG-WHITE BUTTON |
| 003 | 015 | 13042701 | SCREW-TC/HOLT RoHS |
| 003 | 015 | 92113P01 | BIT, CROWS FOOT DRIVER |
| 003 | 016 | C8893506 | SPRING-DOOR LATCH |
| 003 | 017 | 59104132 | TOUCH PANEL ASSY- TOP |
| 003 | 018 | 59104131 | TOUCH PANEL ASSY- SIDE |
| 003 | 019 | 59002026 | TRIAC (40A) |
| 003 | 019 | 59002017 | SNUBBER ASSY |
| 003 | 020 | 12210101 | SHIELD-TRIAC |
| 003 | 021 | 13013902 | HARNESS, DATAKEY |
| 003 | 021 | 59002095 | BOARD,DATA KEY |
| 003 | 022 | M0104106 | CLIP-CORD |
| 003 | 023 | 10978601 | DUCT-BLOWER/MAG |
| 003 | 024 | 10978703 | COVER - MAG INLET |
| 003 | 025 | 12992302 | SCREW-TF/HEX RoHS |
| 003 | 026 | 12990526 | SCREW-SM/HEX RoHS |
| 003 | 027 | 12990522 | SCREW-SM/HEX RoHS |
| 003 | 028 | 59104126 | BOARD, DISPLAY |
| 003 | 029 | 13042002 | SCREW-TF/OVAL RoHS |
| 003 | 030 | 13080601 | PLUG, DATA KEY |
| 003 | 031 | 12529302 | SPACER - THERMAL |
| 003 | 032 | 12990527 | SCREW-SM/HEX RoHS |
| 004 | 001 | 12990511 | SCREW |
| 004 | 002 | B5706707 | BLADE, FAN |
| 004 | 003 | 12992307 | SCREW-TF/HEX RoHS |
| 004 | 004 | 14090018 | KIT, CONVECTION MOTOR - 60 HZ |
| 004 | 005 | 31866P01 | CUTOUT-THERMAL |
| 004 | 006 | 13041602 | SCREW |
| 004 | 007 | 12990606 | SCREW-SM/PAN RoHS |
| 004 | 008 | 12020003 | HEATER BOX WELD |
| 004 | 009 | 12546101 | WASHER |
| 004 | 010 | 12538001 | NUT-CAP |
| 004 | 011 | 12537901 | BLADE, FAN |
| 004 | 012 | 59004076 | HEATER |
| 004 | 013 | 13041505 | SCREW-TF/PAN |
| 005 | 001 | 59002112 | POWER CORD |
| 005 | 002 | 12002804 | ACCESS PAN WLD-E CT |
| 005 | 003 | M0104106 | CLIP-CORD |
| 005 | 004 | 59004077 | GASKET, PER FT |
| 005 | 005 | 12990526 | SCREW-SM/HEX RoHS |
| 005 | 006 | M0287016 | NUT, SPEED |
| 005 | 007 | 12990524 | SCREW-SM/HEX RoHS |
| 005 | 008 | 59001981 | RELAY |
| 005 | 009 | 12470201 | COVER-VENT |
| 005 | 010 | 12990525 | SCREW-SM/HEX RoHS |
| 005 | 011 | 10908901Q | WRAPPER- STAINLESS |
| 005 | 012 | 10785608 | COVER-LIGHT |
| 005 | 013 | 10909005 | TRIM-OC |
| 005 | 014 | 59001230 | COVER, HINGE- GRAY |
| 005 | 015 | 12990527 | SCREW-SM/HEX RoHS |
| 005 | 016 | 13004401 | SCREW -TF/FLAT RoHS |
| 005 | 017 | 13042002 | SCREW-TF/OVAL RoHS |
| 005 | 018 | M0288215 | NUT-SPEED |
| 005 | 019 | 13042001 | SCREW-TF/OVAL RoHS |
| 006 | 001 | R0150115 | COVER, STIRRER |
| 006 | 002 | R0130737 | KIT, STIRRER BLADE |
| 006 | 003 | 10825904Q | BLADE, STIRRER |
| 006 | 004 | 12004401 | SHAFT-STIRRER |
| 006 | 005 | 12189004 | BRKT-HINGE SUPPORT |
| 006 | 006 | 12000202 | SENSOR-TEMP |
| 006 | 007 | 13045501 | NUT-#6 KEPS |
| 006 | 008 | 12992302 | SCREW-TF/HEX RoHS |
| 006 | 009 | M0202557 | SCREW-MACH |
| 006 | 010 | 13079102 | SCREW-MACH/SHLD |
| 006 | 011 | M0282007 | NUT |
| 006 | 012 | 12992302 | SCREW-TF/HEX RoHS |
| 006 | 013 | M0213802 | SCREW-SM |
| 006 | 014 | 12188901 | RETAINER-TRAY |
| 006 | 015 | 12019002 | GASKET |

Зип-Общепит

vsezip.ru

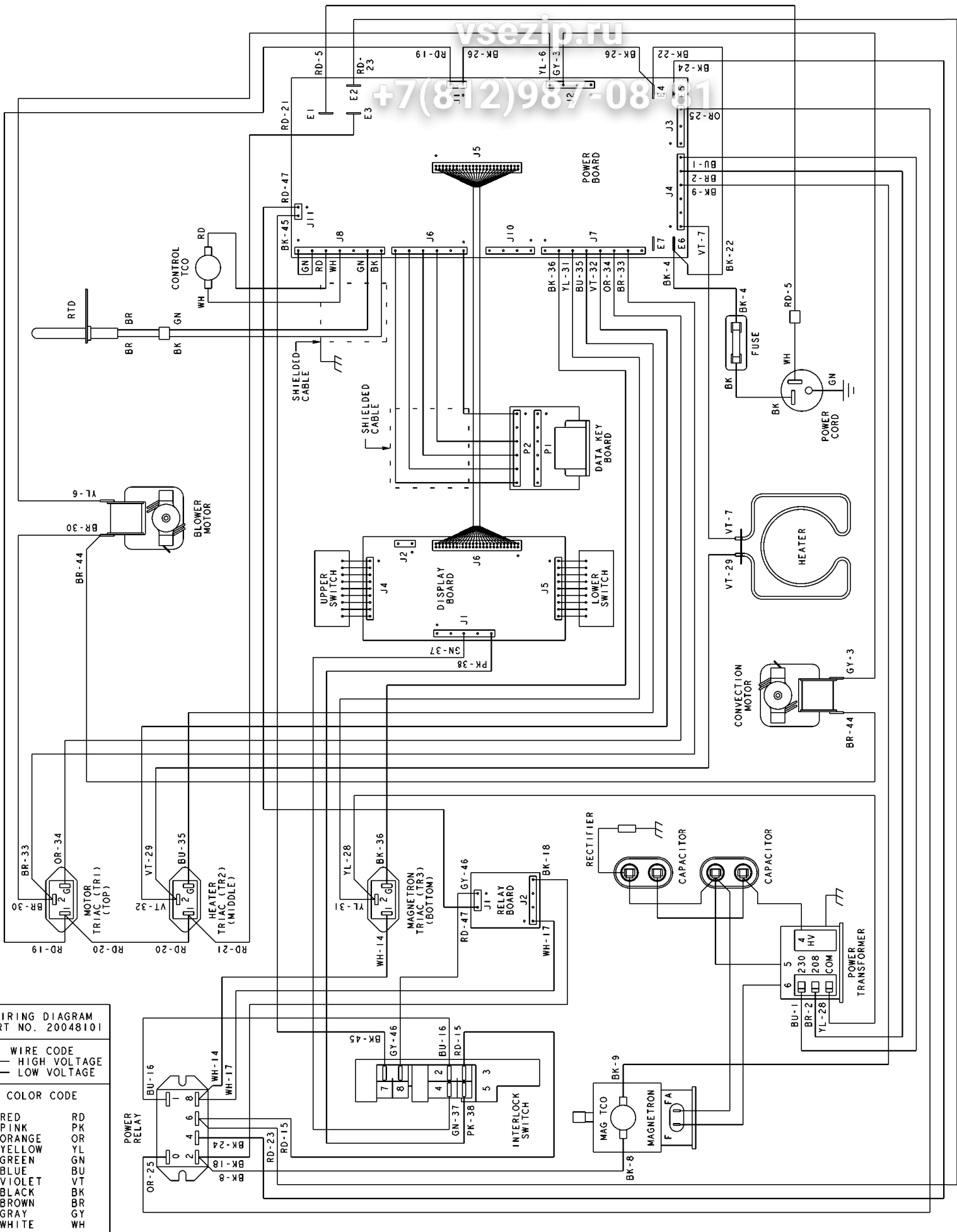
+7(812)987-08-81

WIRING INFORMATION

www.bolshoy.com

vsezip.ru

+7(812)987-0881



WIRING DIAGRAM
PART NO. 20048101

WIRE CODE
— HIGH VOLTAGE
— LOW VOLTAGE

COLOR CODE

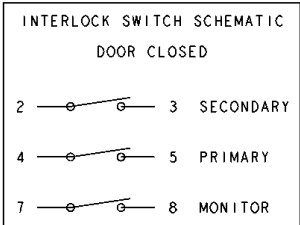
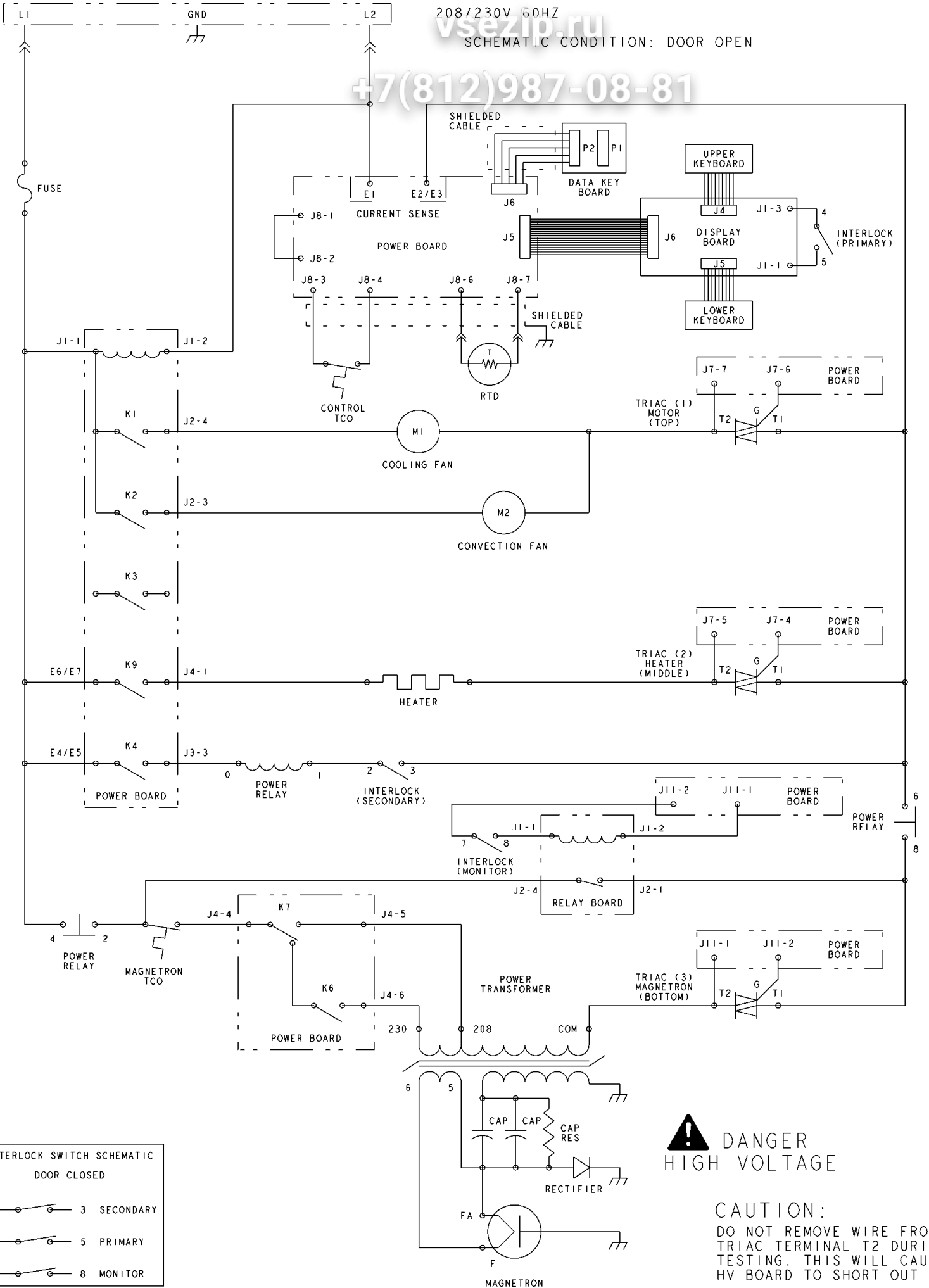
| | |
|--------|----|
| RED | RD |
| PINK | PK |
| ORANGE | OR |
| YELLOW | YL |
| GREEN | GN |
| BLUE | BU |
| VIOLET | VT |
| BLACK | BK |
| BROWN | BR |
| GRAY | GY |
| WHITE | WH |

WIRING INFORMATION

208/230V 60HZ

SCHEMATIC CONDITION: DOOR OPEN

+7(812)987-08-81



! DANGER HIGH VOLTAGE

CAUTION:
DO NOT REMOVE WIRE FROM TRIAC TERMINAL T2 DURING TESTING. THIS WILL CAUSE HV BOARD TO SHORT OUT