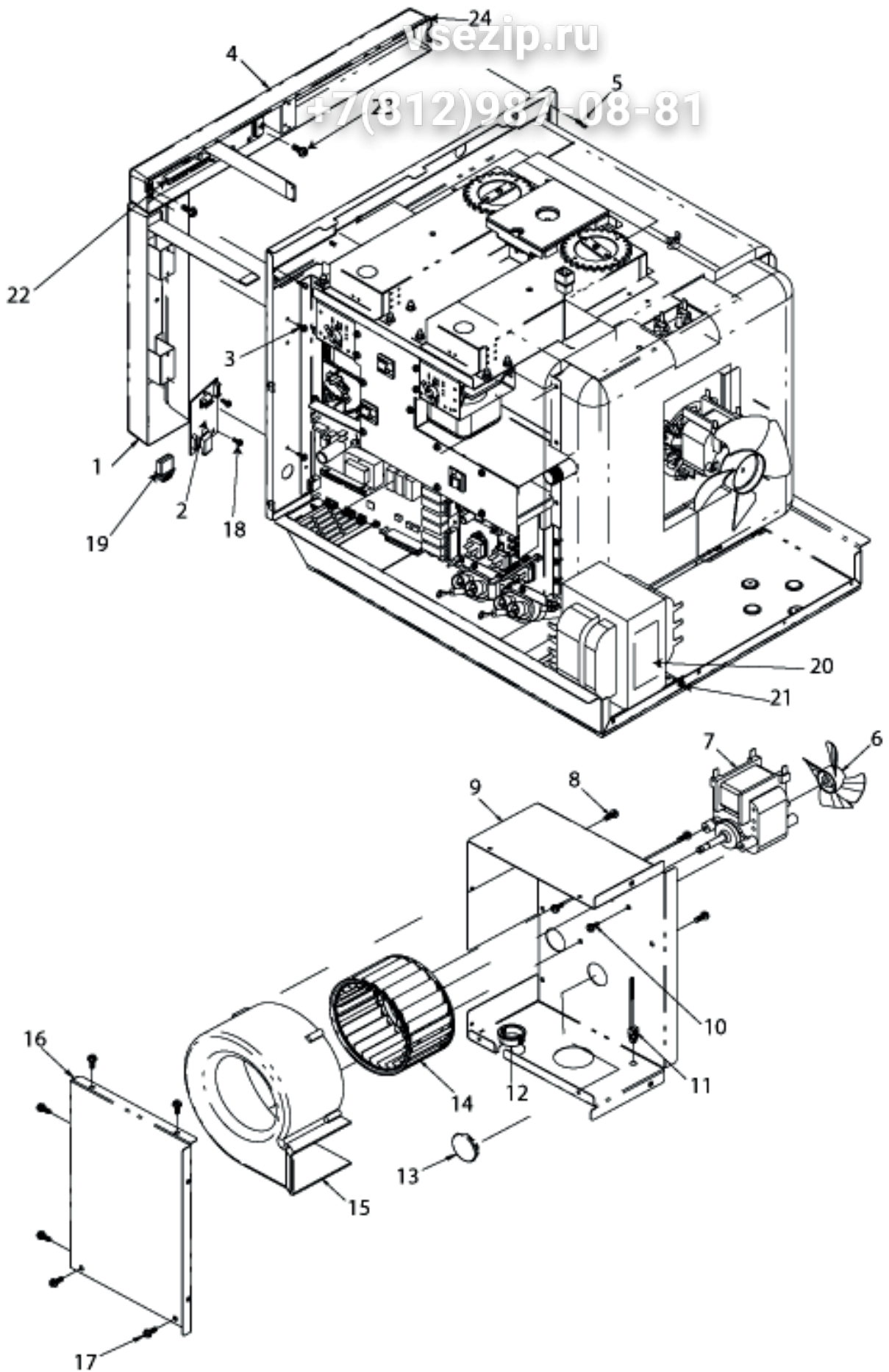


Зип Общепит

vsezip.ru

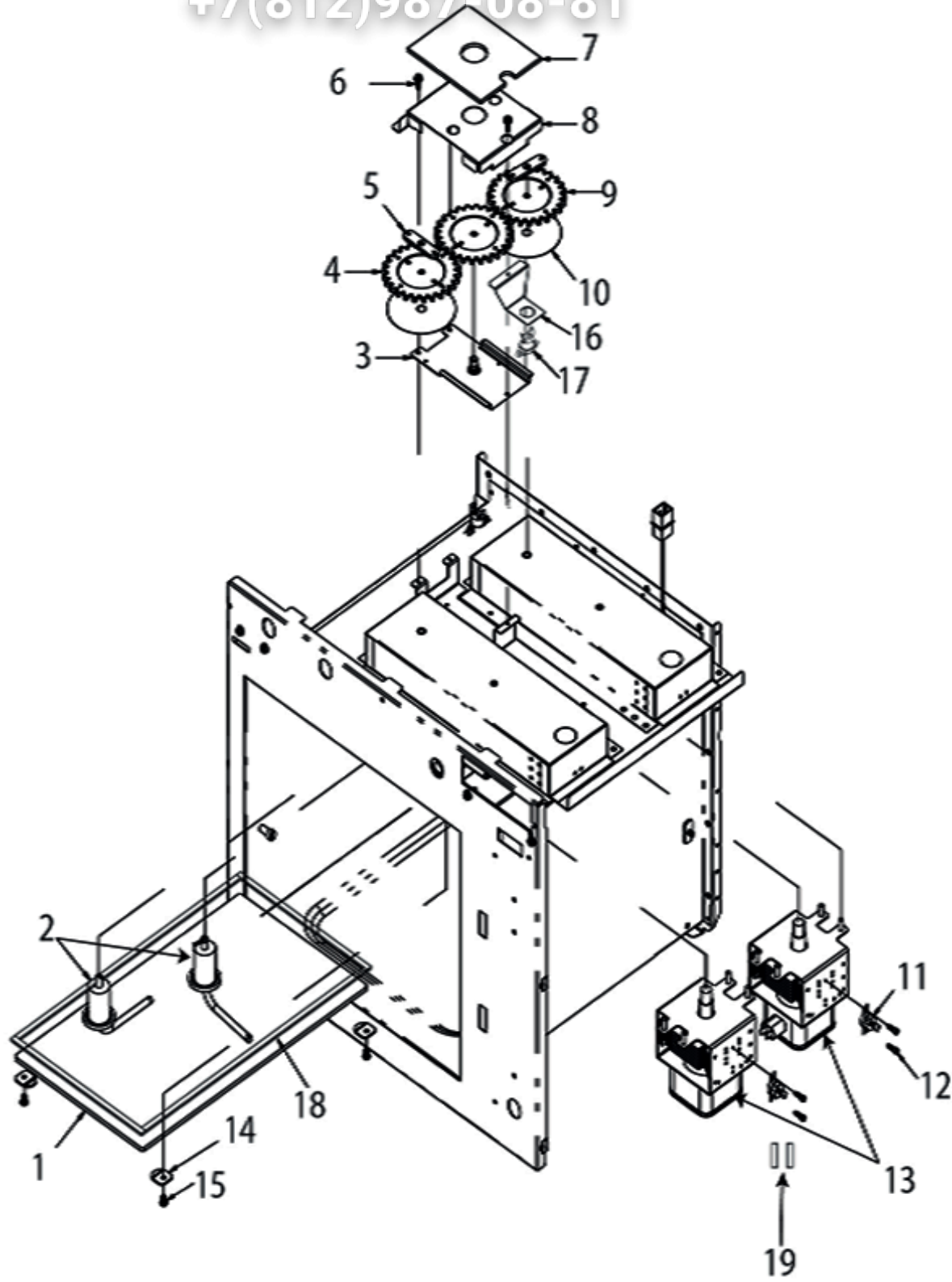
+7(812)987-08-81



Зип Ощепит

vsezip.ru

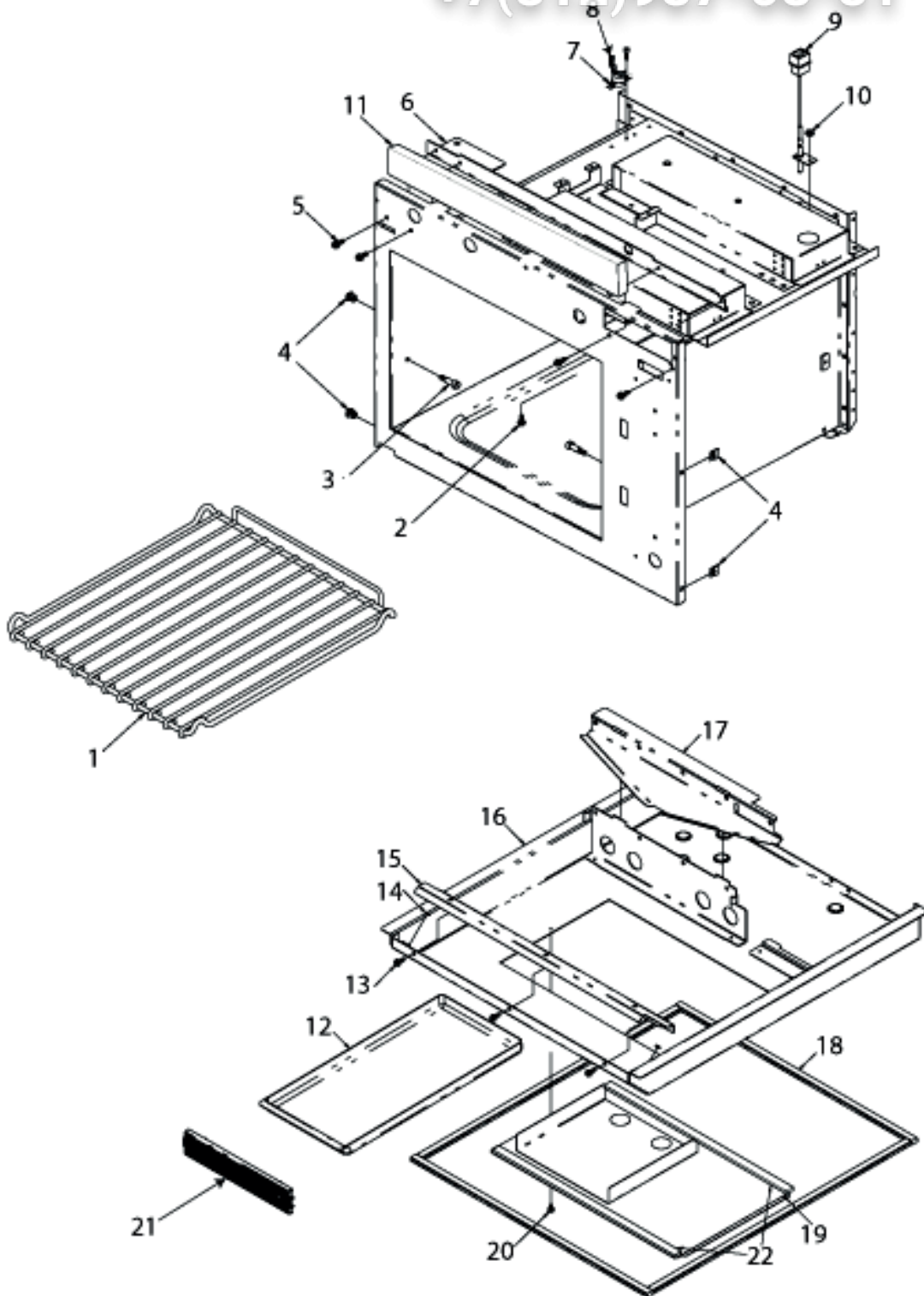
+7(812)987-08-81



Зип Общепит

vsezip.ru

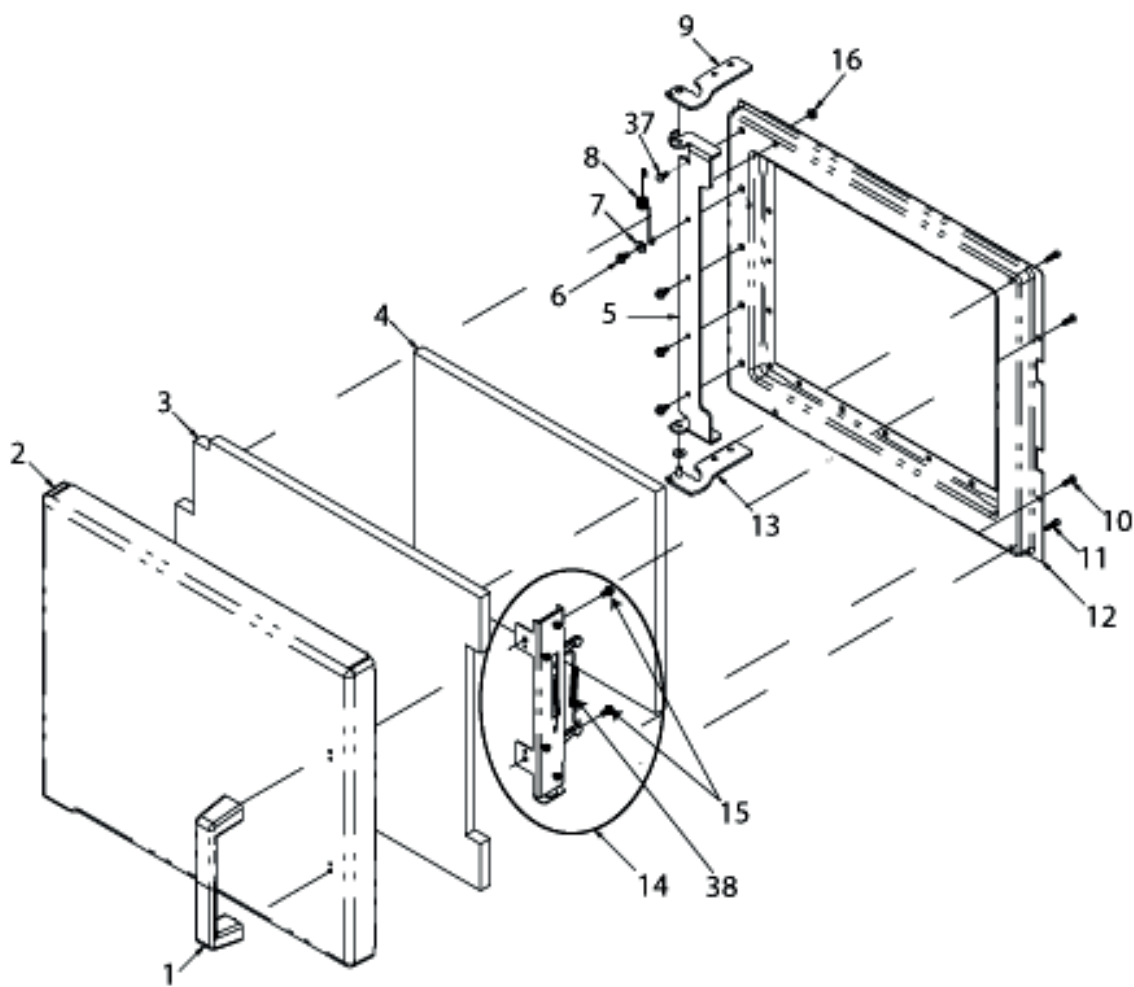
+7(812)987-08-81

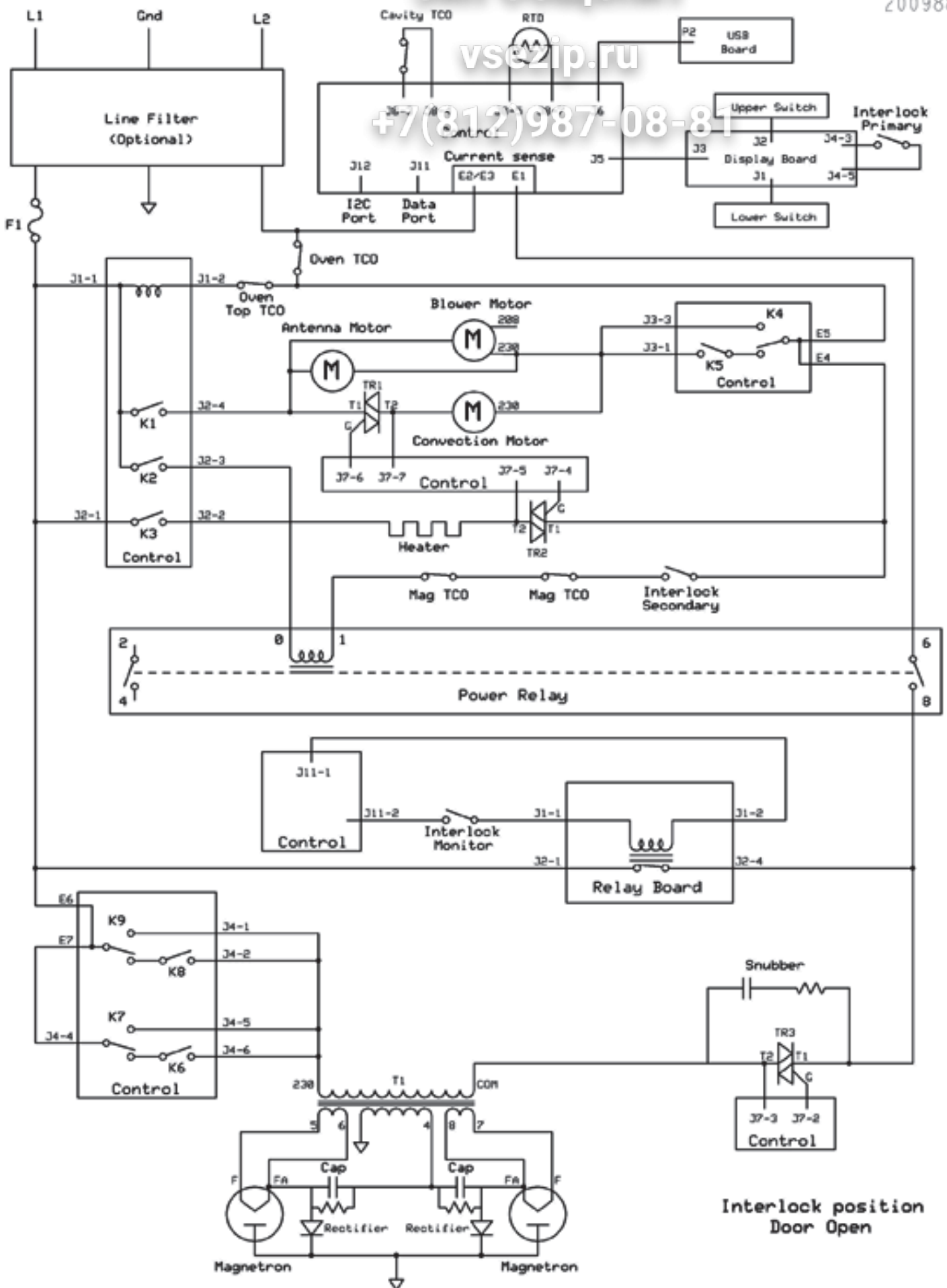


Зип Общепит

vsezip.ru

+7(812)987-08-81

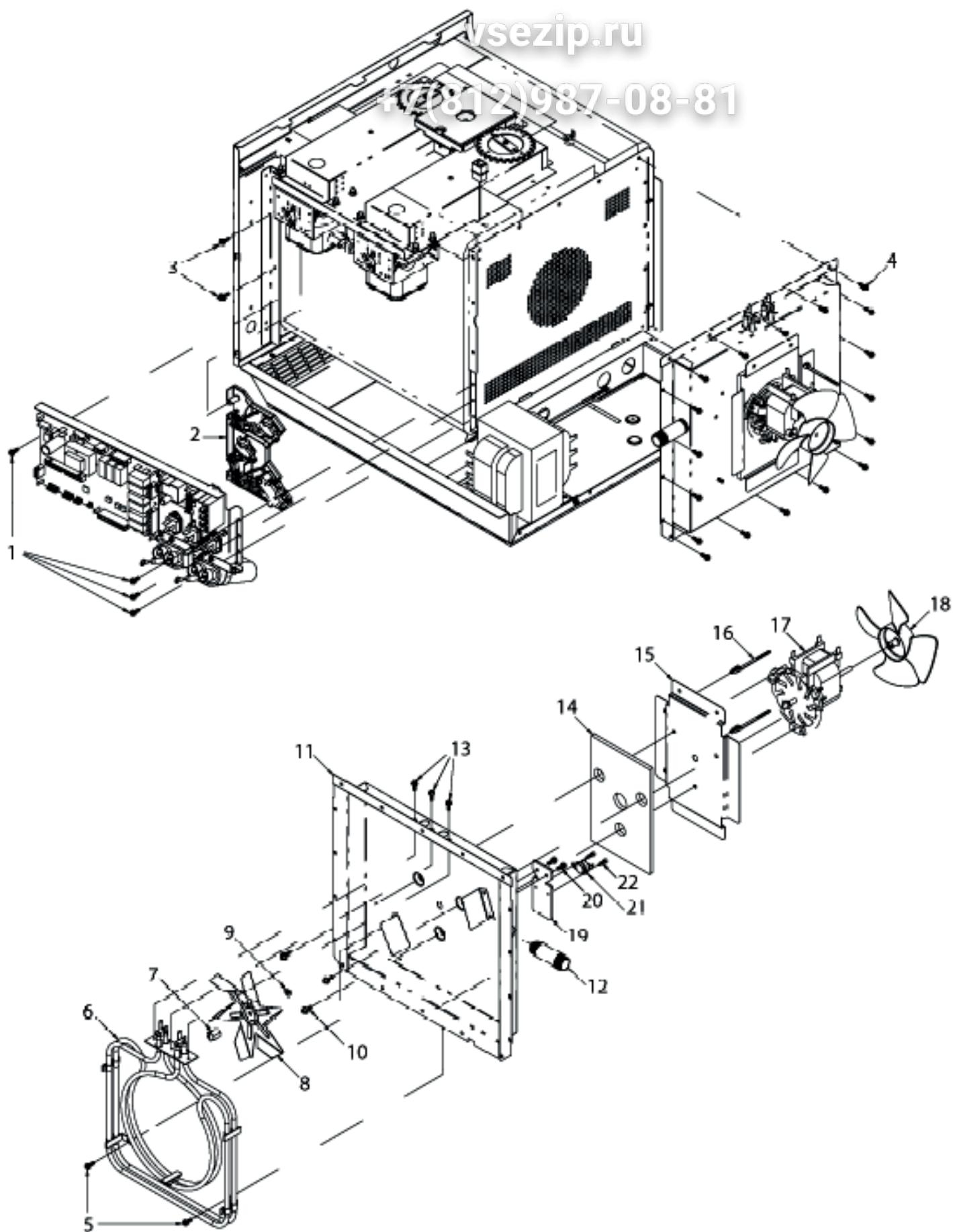




Зип Общепит

vsezip.ru

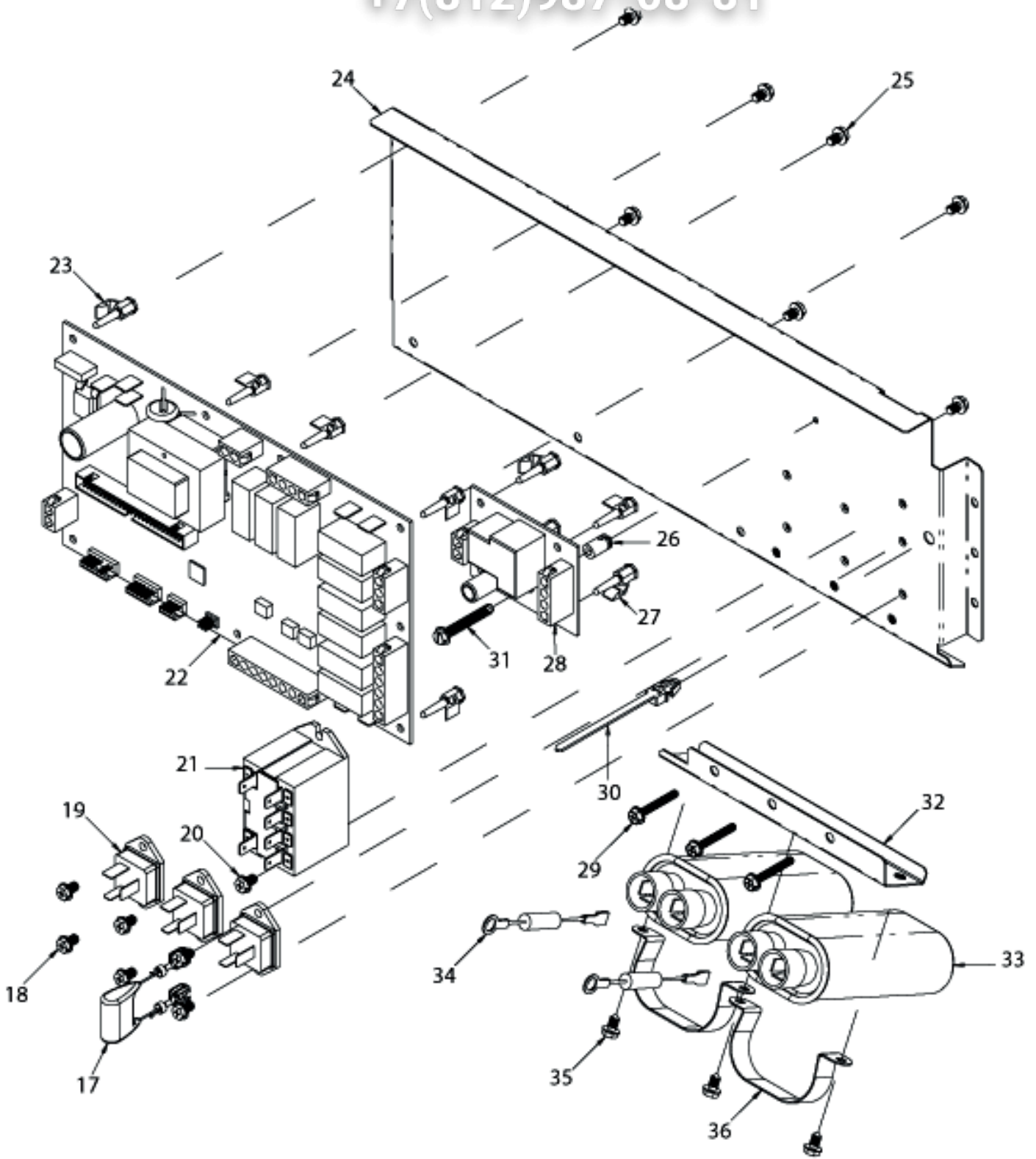
☎(812)987-08-81



Зип Ощепит

vsezip.ru

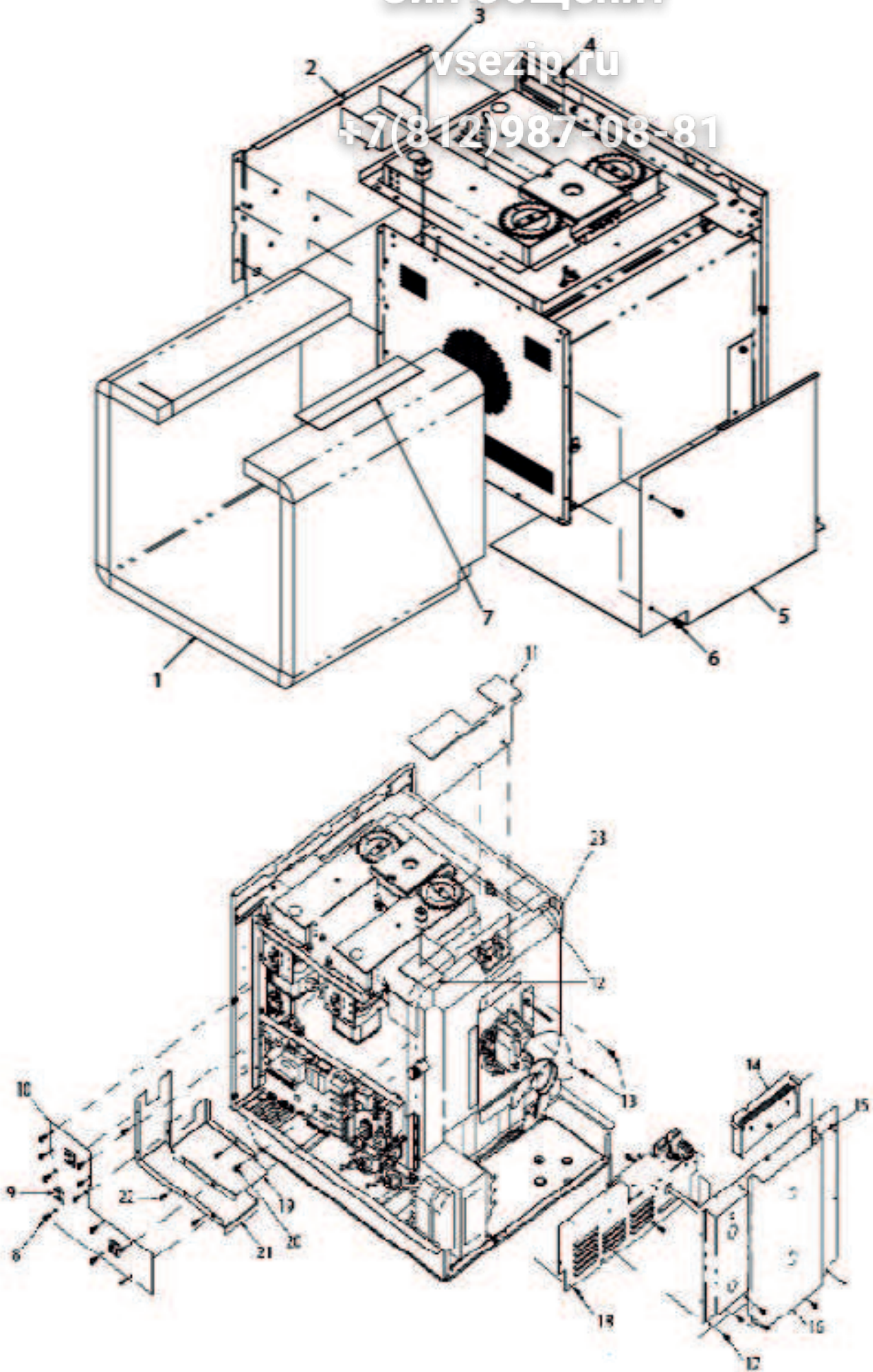
+7(812)987-08-81



Зип Общепит

vsezip.ru

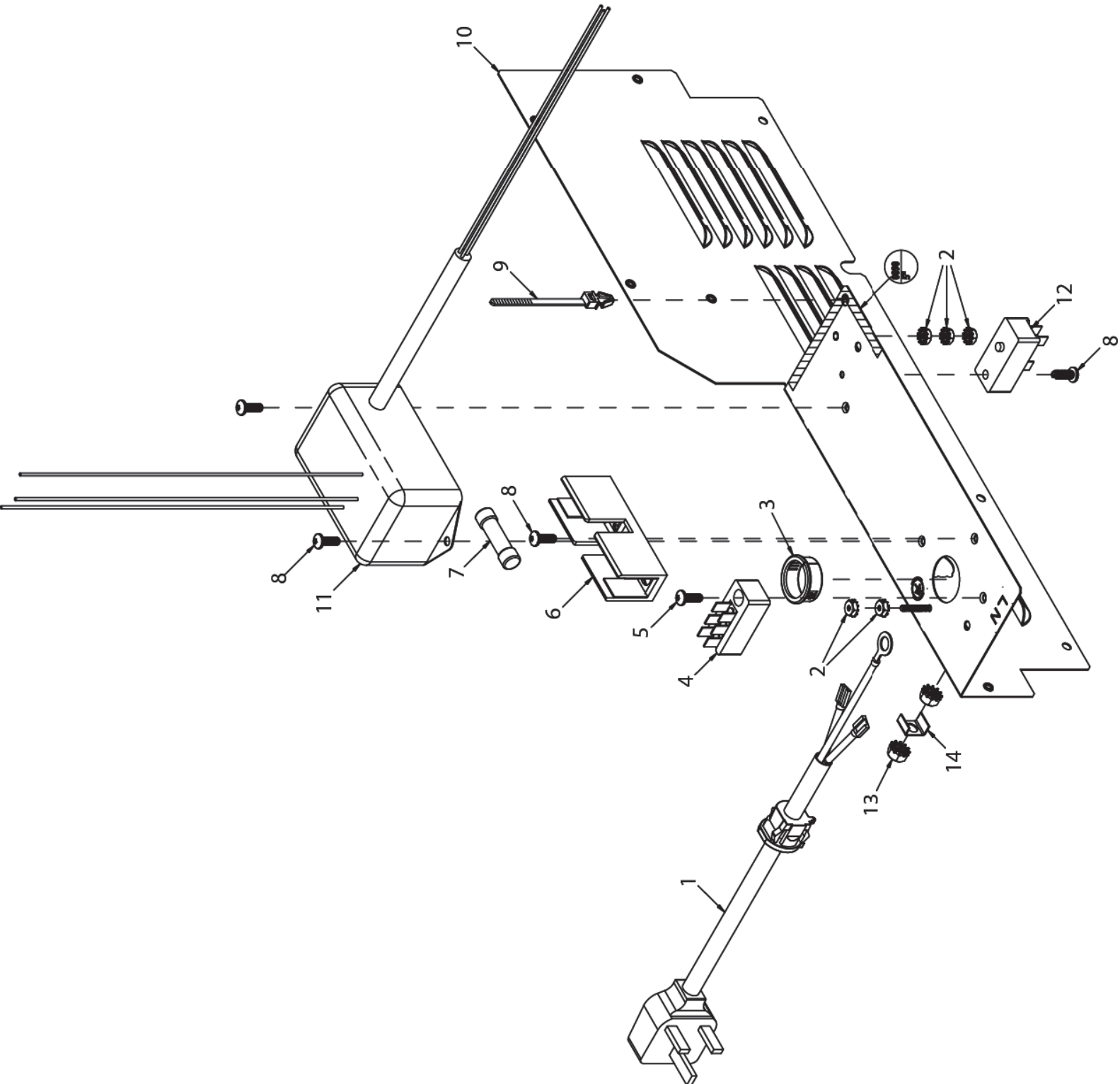
+7(812)987-08-81



Зип Ощепит

vsezip.ru

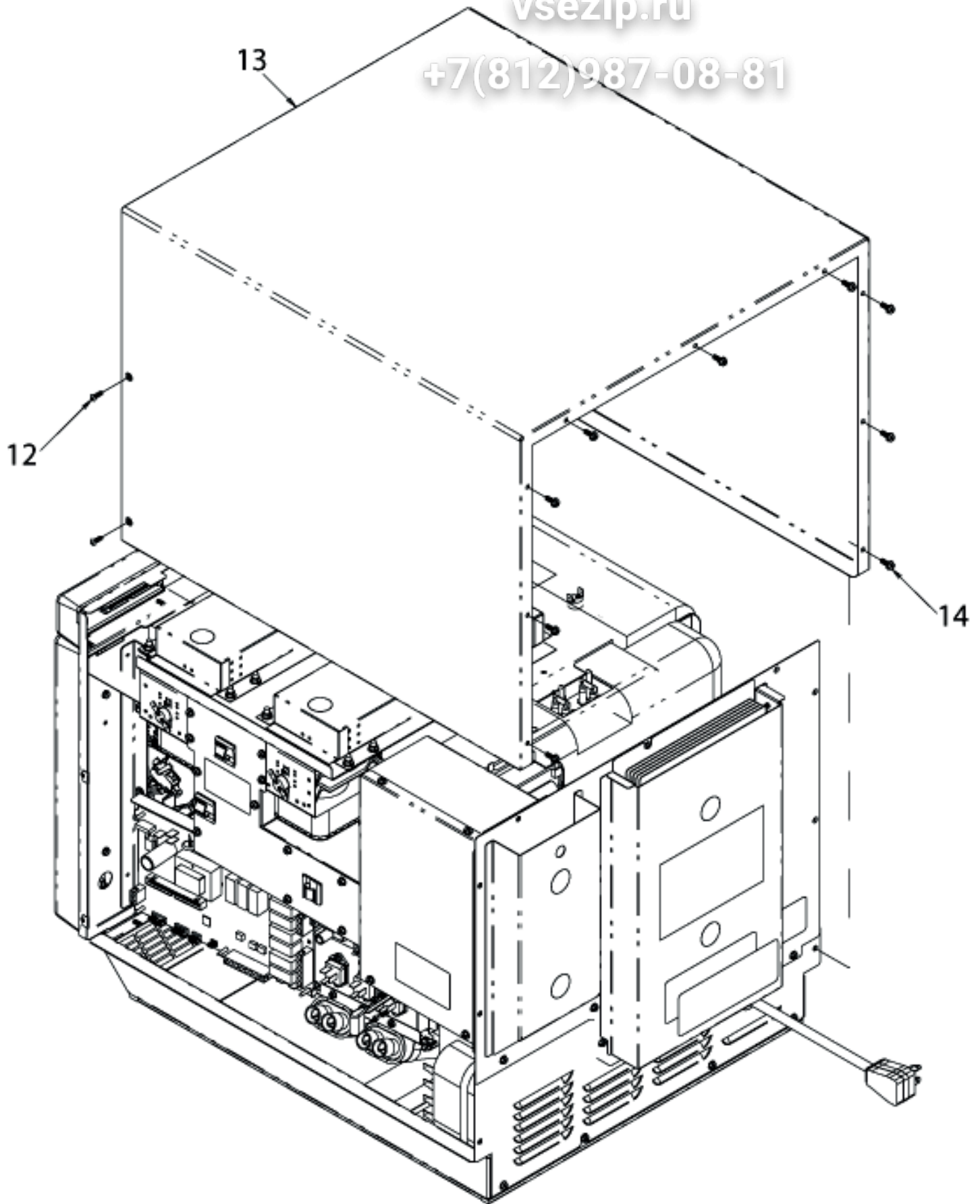
+7(812)987-08-81



Зип Общепит

vsezip.ru

+7(812)987-08-81



Seite	Pos	Kreditor Artikel Nr.	GB
001	001	59134370	TOUCH PANEL ASSY- SIDE
001	002	59134306	BOARD, USB
001	003	12992302	SCREW-TF/HEX RoHS
001	004	59134369	TOUCH PANEL ASSY- TOP
001	005	20095801	SCREW-TC/SOCKET TORX
001	006	B5706704	BLADE, FAN
001	007	59004029	MOTOR, BLOWER
001	008	12990523	SCREW-SM/HEX RoHS
001	009	21016202	BRKT-BLOWER
001	010	12992306	SCREW TF/HEX RoHS
001	011	M0322202	TIE-WIRE
001	012	A3293506	BUSHING - SNAP
001	013	20099402	PLUG-HOLE
001	014	C3670809	WHEEL-BLOWER
001	015	12552001	SCROLL, BLOWER
001	016	21018902	COVER-BLOWER BOX
001	017	12990529	SCREW-SM/HEX
001	018	13041604	SCREW-TC/ROUND
001	019	20070101	PLUG-USB PORT
001	020	59134368	TRANSFORMER, HV
001	021	12990529	SCREW-SM/HEX
001	022	59104126	BOARD, DISPLAY
001	023	13095201	SCREW
001	024	12577401	GASKET-U CHANNEL
002	001	RA14	ACE RACK ACCESSORY
002	002	12992302	SCREW-TF/HEX RoHS
002	003	13079102	SCREW-MACH/SHLD
002	004	20099501	GROMMET-SCREW
002	005	12990529	SCREW-SM/HEX
002	006	21015002	BRACE-CAVITY FRONT
002	007	31866P01	CUTOUT-THERMAL
002	008	20095801	SCREW-TC/SOCKET TORX
002	009	12000202	SENSOR-TEMP
002	010	13045501	NUT-#6 KEPS
002	011	13095002	INSULATION-FRONT
002	012	59134311	DRIP PAN
002	013	12990529	SCREW-SM/HEX
002	014	M0294701	NUT-SELF CLINCH
002	015	21017602	BRKT-ANTI-INTRUSION
002	016	59134310	BASEPAN & GASKET ASSY
002	017	21016702	CHANNEL-GREASE
002	018	R0000413	GASKET, BASEPAN - 90 in (228 cm)
002	019	20093402	ACCESS COVER WELD-E CT
002	020	12990522	SCREW-SM/HEX RoHS
002	021	59134366	GRILLE ASSY
002	022	59004077	GASKET, PER FT
003	001	12133901	HANDLE-DOOR
003	002	59134315	DOOR, OUTER
003	003	20092501	INSULATION-DOOR
003	004	12474903	INSULATION-DOOR
003	005	20090602	HINGE BRKT-E CT
003	006	12990527	SCREW-SM/HEX RoHS
003	007	20003205	WASHER-FLAT
003	008	20096602	SPRING-DOOR HINGE
003	009	59134312	KIT, HINGE- UPPER
003	010	13045301	SCREW-SM/OVAL RoHS
003	011	20095801	SCREW-TC/SOCKET TORX
003	012	59134317	INNER DOOR ASSY
003	013	59134313	KIT, HINGE- LOWER
003	014	59134314	LATCH ASSY
003	015	12990527	SCREW-SM/HEX RoHS
003	016	20090902	PLUG-HOLE
003	037	12991101	SCREW-SM/KNIFE RoHS
003	038	20045103	SPRING-DOOR LATCH
004	001	20136601	HARNESS-OVEN
004	002	20094001	HARNESS-HV
004	003	20094101	HARNESS-RELAY BD
004	004	13095501	HARNESS - INTERLOCK
004	005	13018301	HARNESS-PC BOARD

Зип-Общепит

vsezip.ru

+7(812)987-08-81

Seite	Pos	Kreditor Artikel Nr.	GB
004	006	13013902	HARNESS, DATAKEY
005	001	12990529	SCREW-SM/HEX
005	002	59134308	INTERLOCK SWITCH ASSY
005	003	12876603	SCREW
005	004	12990529	SCREW-SM/HEX
005	005	12990529	SCREW-SM/HEX
005	006	59134374	HEATER
005	007	12538001	NUT-CAP
005	008	12537901	BLADE, FAN
005	009	12546101	WASHER
005	010	12990528	SCREW-SM/HEX
005	011	20092801Q	HEATER BOX WELD- SERVICE
005	012	20079501	TUBE-EXHAUST
005	013	12990529	SCREW-SM/HEX
005	014	20079001	INSULATION-CONV MOTOR
005	015	21015502	BRKT-CONV MOTOR
005	016	M0322202	TIE-WIRE
005	017	59134309	MOTOR, CONVECTION
005	018	20093001	BLADE-FAN
005	019	21028101	BRKT-TCO
005	020	12990529	SCREW-SM/HEX
005	021	B5684123	THERMAL CUTOUT
005	022	20095801	SCREW-TC/SOCKET TORX
006	017	59002017	SNUBBER ASSY
006	018	12990522	SCREW-SM/HEX RoHS
006	019	59002026	TRIAC (40A)
006	020	12990522	SCREW-SM/HEX RoHS
006	021	59001981	RELAY
006	022	59134364	BOARD, HV
006	023	M0590602	SUPPORT
006	024	20098201	MACH COMP BRKT ASSY
006	025	12990522	SCREW-SM/HEX RoHS
006	026	M0800603	SUPPORT-PCB
006	027	M0590602	SUPPORT
006	028	59002117	BOARD, RELAY MONITOR
006	029	12991610	SCREW-TC/HEX
006	030	M0322202	TIE-WIRE
006	031	20098301	SCREW-MACH/HEX
006	032	21022202	BRKT-CAPACITOR
006	033	59001168	CAPACITOR- 1.00
006	034	13091701	DIODE
006	035	12990522	SCREW-SM/HEX RoHS
006	036	A4055405	STRAP-CAPACITOR
007	001	20078801	INSULATION-CAVITY
007	002	21015202	RETAINER-R INSUL
007	003	21019002	BRKT-ANT BOX VENT
007	004	12990529	SCREW-SM/HEX
007	005	21017302	RETAINER-L/BTM INSUL
007	006	12990529	SCREW-SM/HEX
007	007	M0275089	TAPE-DUCT
007	008	12990529	SCREW-SM/HEX
007	009	M0104106	CLIP-CORD
007	010	21015601	INLET DUCT COVER-FLAT
007	011	21017202	RETAINER-TOP INSUL
007	012	M0275089	TAPE-DUCT
007	013	12990529	SCREW-SM/HEX
007	014	59134367	GRILLE, EXHAUST
007	015	12990529	SCREW-SM/HEX
007	016	20079102	UP ACCESS PNL WELD-E CT
007	017	12990529	SCREW-SM/HEX
007	018	12990529	SCREW-SM/HEX
007	019	21015702	TOP-INLET DUCT
007	020	12990529	SCREW-SM/HEX
007	021	21015802	BOTTOM-INLET DUCT
007	022	12990529	SCREW-SM/HEX
007	023	20078901	INSULATION-HEATER BOX
008	001	59002181	CORD POWER
008	002	13045501	NUT-#6 KEPS
008	003	A3293506	BUSHING - SNAP

Зип-Общепит

vsezip.ru

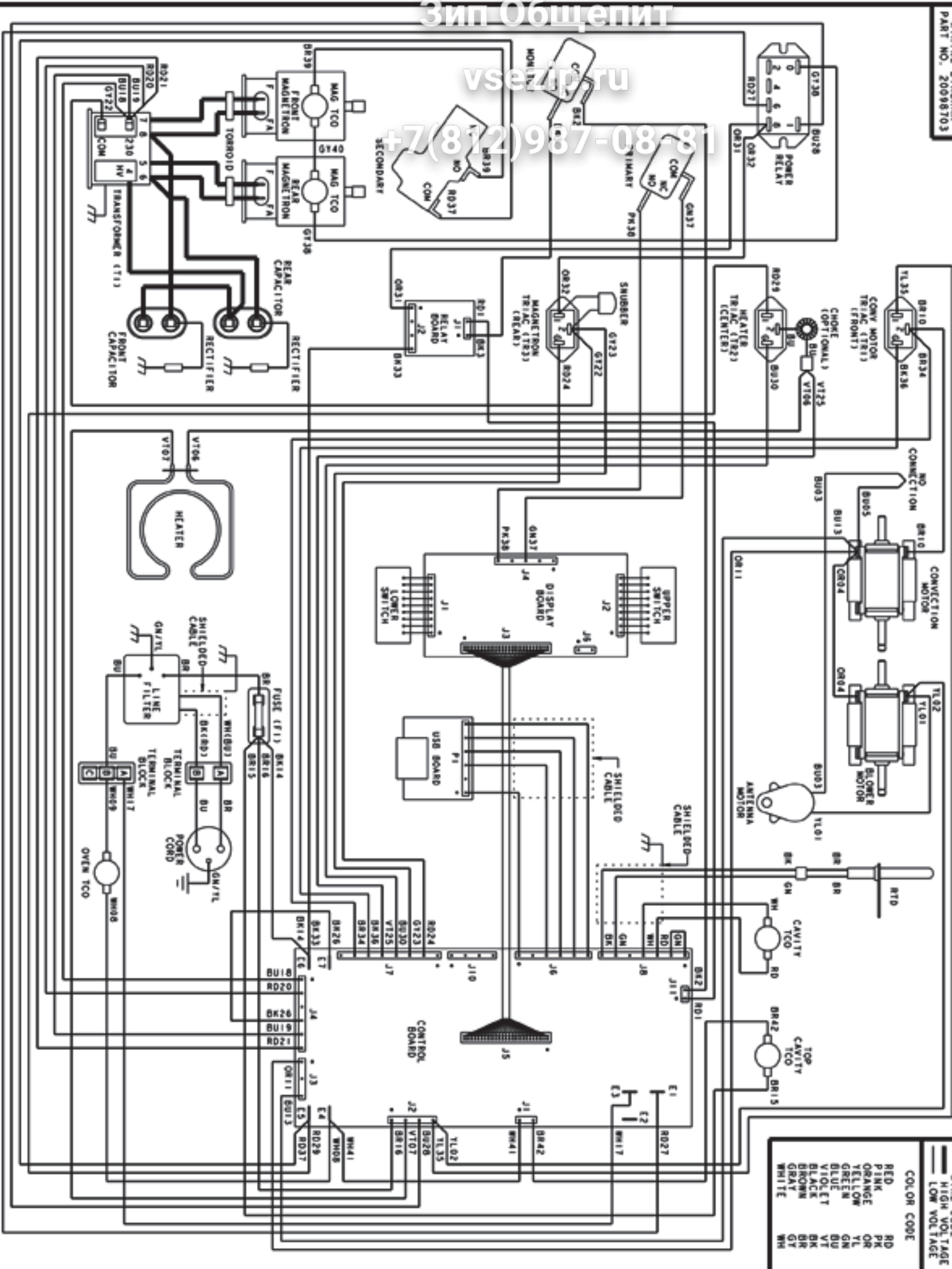
+7(812)987-08-81

Seite	Pos	Kredtor Artikel Nr.	GB
008	004	B5677214	BLOCK - TERMINAL
008	005	13074001	SCREW-TC/PAN TORX RoHS
008	006	10091101	BLOCK-FUSE
008	007	M0805205	FUSE-30A
008	008	13074001	SCREW-TC/PAN TORX RoHS
008	009	M0322202	TIE-WIRE
008	010	20135503	LWR ACCESS PANEL ASSY
008	011	59001893	FILTER, LINE
008	012	B5677215	BLOCK, TERMINAL
008	013	13045504	NUT - M6 KEPS
008	014	12152201	WASHER-U TYPE
009	012	13045301	SCREW-SM/OVAL RoHS
009	013	10908911Q	WRAPPER, OC- BLACK
009	014	12990529	SCREW-SM/HEX
010	001	59134300	COVER, ANTENNA
010	002	12002512	KIT, ANTENNA
010	003	R0130263	MOTOR, ANTENNA (230V)
010	004	12570102	GEAR-SPUR
010	005	12570202	RETAINER, GEAR SHAFT
010	006	12992302	SCREW-TF/HEX RoHS
010	007	20099801	INSULATION-ANT BRKT
010	008	21018202	BRKT-ANTENNA MOTOR
010	009	12570101	GEAR-SPUR
010	010	10903002	WASHER-SPUR GEAR
010	011	B5684130	THERMAL CUTOUT
010	012	20095801	SCREW-TC/SOCKET TORX
010	013	59004010	MAGNETRON
010	014	12188901	RETAINER-TRAY
010	015	M0213802	SCREW-SM
010	016	21028202	BRKT-TCO
010	017	31866P01	CUTOUT-THERMAL
010	018	12019005	GASKET-SILICONE
010	019	44780P01	TOROID

Зип Общепит

vsezip.ru

+7(812)987-08-88



WIRE CODE	
—	HIGH VOLTAGE
—	LOW VOLTAGE
COLOR CODE	
RD	RED
PK	PINK
OR	ORANGE
YL	YELLOW
GN	GREEN
BU	BLUE
VT	VIOLET
BK	BLACK
BR	BROWN
GT	GRAY
WH	WHITE